

RECAMBIOS
MARINOSs.l.

YAMAHA
SUZUKI
HONDA
TOHATSU
SELVA



REC
MAR

REPUESTOS
HERRAMIENTAS
LUBRICANTES
PINTURAS

SPARE PARTS
TOOLS
LUBRICANTS
PAINTS

RICAMBI
ATTREZI
LUBRIFICANTI
VERNICI

2015-2016

FUERABORDA
OUTBOARD
FUORIBORDO



RECAMBIOS MARINOS EN 2017



Después de más de 20 años de experiencia en el mundo náutico **Recambios Marinos** hemos decidido hacer el nuevo catálogo de recambios para motor fueraborda dividido en dos tomos. Esperamos así que su uso sea más ágil y facilite a nuestros clientes la rápida localización de las piezas.

Este es el tomo Nº 1 y comprende los motores japoneses YAMAHA, SUZUKI, HONDA, TOHATSU y SELVA. Se han incorporado multitud de nuevas referencias que estamos seguros ayudarán a incrementar las ventas de estos recambios para fueraborda.

Recambios Marinos ha apostado por crear y reforzar una marca propia, **RECMAR**, que como podrán observar, cada vez está más presente en nuestros catálogos.

Esperamos que nuestra colaboración sea cada día más productiva para ambas empresas.

Nuestro equipo comercial está como siempre a vuestra disposición y en continuo desarrollo para ofrecer el mejor servicio.

Gracias por seguir confiando en **Recambios Marinos**.

Un cordial saludo.



After more than 20 years of experience in the marine business, **Recambios Marinos** decided to make the new outboard parts catalogue divided in two volumes. We hope that their use will be more flexible and provide our customers the quick location of the parts.

This is the take nr. 1 and includes all the Japanese engines YAMAHA, SUZUKI, HONDA, TOHATSU and SELVA. We have incorporated many new references that we are sure would help to increase sales of outboard parts.

At **Recambios Marinos** we bet to create and reinforce our own brand, **RECMAR**, which as you can see is increasingly present in our catalogues.

We hope that our cooperation is becoming more productive for both companies.

Our sales team is always at your disposal and continuous development to offer you the best service.

Thank you very much for trusting **Recambios Marinos**.

Yours cordially,

Dopo più di 20 anni di esperienza nel mondo nautico **Recambios Marinos** ha deciso fare il nuovo catalogo di Ricambi per motori fuoribordo diviso in due parti. Speriamo così che il suo uso sia più agile e faciliterà ai nostri clienti la rapida localizzazione dei ricambi.

Questa è la prima parte e comprende i motori giapponesi YAMAHA, SUZUKI, HONDA, TOHATSU e SELVA. Si hanno incorporato molteplici nuove referenze che siamo sicuri aiuteranno a incrementare le vendite di questi ricambi per fuoribordo.

Recambios Marinos ha scommesso per creare e rinforzare una marca propria, **RECMAR**, che come potete osservare, ogni volta è più presente nel nostro catalogo.

Speriamo che la nostra collaborazione sia ogni giorno più produttiva per entrambi le ditte.

Il nostro team commerciale è come sempre a vostra disposizione e in continuo sviluppo per offrirVi il miglior servizio.

Grazie per continuare a fare affidamento alla **Recambios Marinos**

PARSUN[®]

OUTBOARDS

Four Stroke



CARACTERÍSTICAS / FEATURES		40 HP		25		20	
		a F40BML b F40BMS c F40BWL d F40BWS	e F40FWL f F40FWS g F40FWL-T h F40FWS-T	a F25BMS b F25BML c F25BWS g F25FWL-T	d F25BWL e F25FWS f F25FWL	a F20ABML b F20ABMS c F20ABWL	d F20ABWS e F20AFWL f F20AFWS g F20FWL-T
Largo total / Overall length	mm (in.)	a-b-c-d 1173 (46.2") e-f-g-h 768 (30.2")		a-b-c-d 1151(45.3) e-f-g 703(27.7)		a-b-c-d 988(38.9) e-f 665(26.2) g 703(27.7)	
Ancho total / Overall width	mm (in.)	a-b-c-d 426 (16.8") e-f-g-h 410 (16.1")		a-b-c-d 430(16.9) e-f-g 376(14.8)		a-b-c-d 420(16.5) e-f 387(15.2) g 376(14.8)	
Alto total / Overall height	mm (in.)	a-c-e-g 1361 (53,6") b-d-f-h 1234 (48.6")		a-c-e 1153(45.4) b-d-f-g 1280(50.4)		a-c-e 1197(47.1) b-d-f 1070(42.1) g 1280(50,4)	
Longitud cola / Transom height	mm (in.)	a-e-g 508 (20") b-d-h 381(15")		a-c-e 381(15) b-d-f-g 508(20)		a-c-e-g 508(20.0) b-d-f 381(15.0)	
Peso / Weight	Kg	a 91 b 92.4 c 97.5 d 95.9 e 96.6 f 95 g 100.6 h 99		a 66 b c e 68 d f 70 g 74		a 53.7 b 51.7 c 55.7 e 54.7 f 52.7 g 70	
Régimen de trabajo a pleno gas Full throttle operating range	rpm	5000 - 6000					
Potencia máxima / Maximum output	Kw(HP)@rpm	29.4 (40)@5.500		a-b-c-d-e-f 18.4(25)@5500 g 18.4(25)@5000		a-b-c-d-e-f 14.7(20)@5500 g 14.7(20)@5000	
Relentí (Neutral) / Idling speed (Neutral)	rpm	850 - 950		925-1025		1000-1100 g 925-1025	
Tipo de motor / Engine type		OHC					
Cilindros / Cylinders		L3		L2			
Cilindrada / Displacement	cm ³	747		498		362 g 498	
Diámetro por carrera / Bore x stroke	mm (in.)	65 x 75(2.56x2.95)				63,0x58,1(2,48x2,29) g 65x75(2,56x2,95)	
Sistema de encendido / Ignition system		CDI					
Sistema de control / Control system		a-b-c-d Manual e-f-g-h Remoto/Remote		a-b-c-d Mando popero / Tiller control e-f-g Remoto/Remote control			
Sistema de arranque/ Starting system		a-b Manual c Eléctrico y popero /Electric tiller e-f-g-h Eléctrico / remote		a-b Manual /Manual start c-d-e-f-g Manual Eléctrico /Electric start			
Cambio de marchas / Gear positions		Adelante-Netro-Atrás / Forward-Neutral-Reverse		a-b-c-d-e-f Adelante-Netro-Atrás/Forward-Neutral-Reverse g Adelante- Netro/Forward-Neutral			
Relación engranajes / Gear ratio		2.08(26/13)					
Sist. de inclinación i elevación / Trim & tilt system		a-b-c-d-e-f Manual / Manual tilt g-h Manual o eléctrico/ Manual or electric tilt					
Capacidad depósito combustible / Fuel tank capacity	L			24			
Consumo máximo / Maximum fuel waste	L/h	13.8		9.2		6,9 g 7.3	
Capacidad aceite motor / Engine oil capacity	L	1.7					
Cap. aceite caja engranajes (s/ filtro)/Gear oil cap. (Without oil filter)	cm ³	430		320		300 g 320	
Opciones de Hélice/ Propeller options	in	3-11 ^{3/8} x12" 3-11 ^{1/8} x13"		a-b-c-d-e-f 3-9 ^{7/8} x11 ^{1/4} " g 3-9 ^{7/8} x11 ^{1/4} " or 8 x11 ^{1/4} "		a-b-c-d-e-f 3-9 ^{1/4} x8", 3-9 ^{1/4} x10", 3-9 ^{1/4} x11" g 3-9 ^{7/8} x11 ^{1/4} " or 8 x11 ^{1/4} "	

*La elección de la hélice depende del tamaño, peso y uso del barco / * Propeller choice will vary by boat, size and weight.



	15	9.8	8	6	5	4	2.6
	a F15BMS d F15BWL b F15BML e F15FWS c F15BWS f F15FWL	a F9.8BMS b F9.8BML	a F8BMS b F8BML	a F6ABMS b F6ABML	a F5BMS b F5BML	a F4BMS b F4BML	a F2.6BMS b F2.6BML
	a-b-c-d- 1001(39.4) e-f 643(25.3)	965(38)	718(28.2)	717(28.2)	645(25)		
	a-b-c-d- 427(16.8) e-f 369(14.5)	364(14.3)	390(15.4)	361(14.2)	343(13.5)		
	a-c-e- 1080(42.5) b-d-f- 1207(47.5)	a- 1039(40.9) b- 1166(45.9)	a- 1177(46.3) b- 150 (41.3)	a- 1029(40.5) b- 1156(45.5)	a- 1013(39.9) b- 1140(44.9)		
	a-c-e-g- 508(20.0) b-d-f-i- 381(15.0)	a- 381(15) b- 508(20)	a- 508(20) b- 381(15)	a- 381(15) b- 508(20)			
	a- 49 b-c-e- 51 d-f- 53	a- 38 b- 39.5	a- 28 b- 27	a- 24.5 b- 25.5	a- 17 b- 18		
	4500 - 5500	5000 - 6000	4500 - 5500	4000 - 5000	5250 - 5750		
	11(15)@5000	7.2(9.8)	5.9(8)@	a- 4.4(6) b- 3.7(5)	3.6(5cv)@5000	2.9(4cv)@4500	1.9(2.6cv)@5500
		900-1000		1450 - 1550		2000 - 2200	
	OHC			OHV			
	L2			1			
	323	209	148	112	72		
	59 x 59(2.32x2.32)	55 x 44(2.17x1.73)	64.0x46.0(2.52x1.8)	59.0x41.0(2.32x1.61)	54x31.5(2.13x1.24)		
	CDI						
	Mando popero / Tiller control						
	Manual /Manual start						
	Adelante- Neutro- Atrás/Forward-Neutral-Reverse					Adelante-Neutro/ Forward-Neutral	
	2.08(27/13)						
	Manual / Manual tilt						
	12		Integrado / Integral 1.3			Integrado/ Integral 1.2	
	5.3	3.4	2.8	a- 2.3 b- 1.9	2	1.6	1.1
	1.0	0.8		0,6	0.5		0.35
	250	320		200	100		75
	3-9 1/4" x 11" or 3-9 1/4" x 8	3-8.9" x 8.3"		3-7 1/8" x 9"	3-7 1/2" x 7"		3-7 1/4" x 6"

BMS= eje corto , arranque manual / Short shaft -manual start BML= Eje largo, arranque manual / Long shaft - manual start FWS= Eje corto, arranque eléctrico/ Short shaft - Electric start
 FWL= Eje largo, arranque eléctrico / Long shaft - Electric start BWS= Eje corto, arranque eléctrico, mando popero/ Short shaft - Electric start - Tiller control
 BWL= Eje largo, arranque eléctrico, mando popero - Manuale Long shaft - Electric start - Tiller control



**YAMAHA
SUZUKI
HONDA
TOHATSU
SELVA**



2015-2016
FUERABORDA
OUTBOARD
FUORIBORDO

**REPUESTOS
HERRAMIENTAS
LUBRICANTES
PINTURAS**

**SPARE PARTS
TOOLS
LUBRICANTS
PAINTS**

**RICAMBI
ATTREZI
LUBRIFICANTI
VERNICI**

ÍNDICE

MANTENIMIENTO MOTORES	3
NAVIGATOR TXM	3-4
CABLES Y COMPLEMENTOS TX MARINE	5
FUSIBLES Y PORTAFUSIBLES	6
DEPÓSITOS COMBUSTIBLE	6-7
CONECTORES GASOLINA	7-9
BOMBAS COMBUSTIBLE	9-10
VÁLVULAS	10-11
FILTROS GASOLINA	11-13
ACCESORIOS Y PINTURAS	13
MANTENIMIENTO DE MOTORES	13-17
HERRAMIENTAS	18-26
BUJÍAS	27
INTERRUPTORES	28
LLAVES DE ARRANQUE	28-29
ACCESORIOS DIRECCIÓN	30-31
ESTABILIZADORES	32
POWER TRIM-LIFT	33-34
MANDOS ELECTRÓNICOS DE CONTROL	35
MANDOS	36-37
CABLES MANDOS	38-39
CABLES ACCESORIOS	40-41
DIRECCIONES	41-44
ACCESORIOS DIRECCIÓN Y FUNDAS	45

TABLE OF CONTENTS

ENGINE MAINTENANCE	3
NAVIGATOR TXM	3-4
HARNESSES & ACCESSORIES FOR TX MARINE	5
FUSES & FUSE BLOCKS	6
FUEL TANKS	6-7
FUEL FITTINGS	7-9
PRIMER BULB	9-10
VALVE	10-11
FUEL FILTERS	11-13
ACCESSORIES & SPRAY PAINTS	13
ENGINE MAINTENANCE	13-17
TOOLS	18-26
SPARK PLUGS	27
CUT OFF SWITCHES	28
IGNITION STARTER SWITCHES	28-29
STEERING ACCESSORIES	30-31
HYDROFOILS	32
POWER TRIM-LIFT	33-34
ELECTRONIC CONTROL SYSTEM	35
ENGINE CONTROL	36-37
CONTROL CABLES	38-39
CABLES ACCESSORIES	40-41
STEERING CONTROL	41-44
STEERING AND COVERS ACCESSORIES	45

INDICE

MANUTENZIONE MOTOTRI	3
NAVIGATOR TXM	3-4
CAVI E ACCESSORI TX MARINE	5
FUSIBILI E PORTAFUSIBILI	6
SERBATOIO CARBURANTE	6-7
ATTACCHI BENZINA	7-9
POMPA BENZINA	9-10
VALVOLA	10-11
FILTRO BENZINA	11-13
ACCESORI E PITTURE	13
MANUTENZIONE MOTORE	13-17
ATTREZZI	18-26
CANDELE	27
INTERRUTORI	28
CHIAVE DI AVVIAMENTO	28-29
ACCESSORI DIREZIONE	30-31
STABILIZZATORI	32
POWER TRIM-LIFT	33-34
COMANDI ELETTRONICI CONTROLLO	35
COMANDI	36-37
CAVI COMANDO	38-39
CAVI ACCESSORI	40-41
TIMONERIE	41-44
ACCESSORI TIMONERIA E COPERTURA	45

LA IMÁGENES AQUÍ CONTENIDAS PUEDEN NO CORRESPONDER CON TOTAL PRECISIÓN AL PRODUCTO SUMINISTRADO. RECAMBIOS MARINOS, S.L. SE RESERVA EL DERECHO DE ANULAR O CAMBIAR PRODUCTOS SIN PREVIO AVISO.

IMAGES CONTAINED HERE MAY NOT CORRESPOND WITH TOTAL ACCURACY TO THE PRODUCT SUPPLIED. RECAMBIOS MARINOS, S.L. RESERVES THE RIGHT TO CANCEL OR CHANGE PRODUCTS WITHOUT PRIOR NOTICE.

LE IMMAGINI QUI CONTENUTE POTREBBERO NON CORRISPONDERE ESATTAMENTE AL PRODOTTO FORNITO. RECAMBIOS MARINOS, S.L., SI RISERVA IL DIRITTO DI CANCELLARE O MODIFICARE I PRODOTTI SENZA PREAVVISO.

MANTENIMIENTO MOTORES ENGINE MAINTENANCE MANUTENZIONE MOTORI

SOFTWARE DIAGNÓSTICO
MULTI-ENGINE DIAGNOSTIC PLATFORM
SOFTWARE DIAGNOSI

NAVIGATOR TXM



El **NAVIGATOR TXM** es la interfaz para diagnóstico multimarca que se utiliza junto a un PC común. Es un dispositivo resistente a los golpes e impermeable, resultado de la experiencia madurada por el fabricante en más de 15 años de investigación y desarrollo.

La carcasa de aluminio garantiza ligereza y practicidad, mientras que el interior está caracterizado por un potente procesador INTEL PXA de 400 MHz, con una memoria interna de 64 Mb. Todo esto se convierte en velocidad en la elaboración de los datos, rapidez en el reconocimiento de la centralita y gran potencialidad de diagnóstico.

El **NAVIGATOR TXM** que se conecta a la toma de diagnóstico a través de una serie de cables concretos, permite efectuar pruebas como la lectura de parámetros electrónicos, la puesta a cero de los espías en servicio, la verificación y cancelación de los errores y muchas otras cosas. El **NAVIGATOR TXM** dialoga con cualquier PC gracias a la tecnología *wireless Bluetooth*. De esta forma el técnico podrá trabajar cómodamente entorno a la embarcación sin cable de por medio.

NAVIGATOR TXM is a multi-brand diagnostic interface designed to be used in combination with any standard PC. **NAVIGATOR TXM** is impact resistant and waterproof, and incorporates all the experience TEXA has accumulated in 15 years of research and development. **NAVIGATOR TXM** is lightweight and practical thanks to its aluminium shell. On the inside it features a powerful INTEL PXA255 400 MHz processor and a 64Mb B memory.

This means rapid data processing, instant recognition of control units and advanced diagnostic potential. **NAVIGATOR TXM** connects directly to the diagnostic socket via a dedicated set of cables and allows you to perform a great number of important diagnostic and maintenance procedures; electronic parameter reading, service light resetting, error reading and deleting are just a few examples of what the **NAVIGATOR TXM** can do. **NAVIGATOR TXM** can dialogue with any PC thanks to Bluetooth wireless technology. Bluetooth allows you to move freely around the boat without the restriction of connecting cables.

Il **Navigator TXM** è l'interfaccia per le diagnosi multimarca che si utilizza assieme ad un normale PC. E' un dispositivo resistente ai colpi e impermeabile, il risultato dell'esperienza maturata dal fabbricante in più di 15 anni di ricerca e sviluppo.

La struttura di alluminio garantisce leggerezza e praticità, al suo interno troviamo un potente processore INTEL PXA di 400 MHz, con una memoria interna di 64 Mb. Tutto questo si converte in velocità nella elaborazione dei dati, rapidità nel riconoscimento della centralina e grande potenzialità di diagnosi.

Il **Navigator TXM** si connette alla presa di diagnosi attraverso una serie di cavi specifici, permette di effettuare test come la lettura di parametri elettronici, l'azzeramento delle spie in servizio, la verifica e la cancellazione degli errori e molte altre cose. Il **Navigator TXM** comunica con qualunque PC grazie alla tecnologia wireless Bluetooth. In questo modo il tecnico potrà lavorare comodamente intorno all'imbarcazione senza avere cavi di mezzo.

ACCES.

RECAMBIOS
MARINOS s.l.

NAVIGATOR TXM

APLICACIONES APPLICATIONS APPLICAZIONI

TEXA

MOTORES FUERABORDA OUTBOARD ENGINES MOTORI FUORIBORDO	MODELOS MODELS MODELLO
HONDA Marine	BF
MARINER	4 Stroke, OptiMax, Verado, DFI, EFI
MERCURY	4 Stroke, OptiMax, Verado, DFI, EFI
EVINRUDE	E-Tec, DFI (90-115Ficht Ram)
SUZUKI Marine	DF
YAMAHA Marine	F, T, Z

MOTORES INTRABORDA INBOARD ENGINES MOTORI ENTROBORDO	MODELOS MODELS MODELLO
CATERPILLAR	3126B, 3508B, 3508C, C12, C12 Acert, C18 Acert Tier 2, C32 Acert IMO II, C32 Acert Tier 2, C32 Acert Tier 2 H.P., C32 Acert Tier 2 H.P. Recreational, C32 Acert Tier 3, C7, C7 Acert, C9 Acert.
CUMMINS / MW	QSD2.0-115 / 130 / 150 / 170, QSD2.8-220, QSD4.2-270 / 320 / 350 Sistema Inyección Bosch System injection Bosch Sistema Iniezione Bosch Common Rail
FNM	HPEP, HPE
MERCUISER	350, 377, 496, 3.0L, 4.3L, 5.0L, 5.7L, 6.2L, 8.1L, 8.2L, TBI, MPI, Black Scorpion, Vazer, Mandos SmartCraft.
MERCURY Racing	SCI, EFI
PERKINS	1106C-E6OTA
SEA-DOO	Speedster, Challenger, Utopia, Islandia, Wake, Wake Speedster
VOLVO PENTA	D, EDC, EGC, EVC, GXI, OSI, GI, GSI, OSXI
VOLKSWAGEN Marine	SDI, TDI
FIAT	C13, C78, GE CURSOR 250E, 350E, 400E, N60, N67, S30
INDMAR	5.7, 6.0, 8.1, Steyr 256 Diesel
STEYR MOTORS	MO306H43WJ, MO54NA33, MO84K32, MO94K33, MO114K33, MO126M28, MO144M38, MO156K25, MO164M40, MO166M28, MO174V40, MO196K35, MO236K42, MO256H45, MO256H43, MO286H43
YANMAR	4BY2-150 / 180, 6BY2-220 / 260 Sistema Inyección Bosch System injection Bosch Sistema Iniezione Bosch
ILMOR	5.7L, 6.0L, 6.2L,

MOTOS DE AGUA PWC MOTO D'ACQUA	MODELOS MODELS MODELLO
HONDA Marine	Aquatrax
KAWASAKI Marine	STX, Ultra.
SEA-DOO	GTI, GTX, RXP, RXT
YAMAHA Marine	Waverunner FX, FZR, FZS, GP, VX



REF.	DESCRIPCIÓN	DESCRIPTION	DESCRIZIONE
RECD06591	Navigator TXM		
RECZ06590PC	Equipo completo con PC.	Navigator TXM with PC.	Attrezzatura completa con PC
REC3901775	Kit maleta para guardar cables interfaz.	Hand case for harnesses etc.	Kit per cavi interfacci
RECAGA00M	Contrato de actualización software (y renovación anual).	Software contract and annual renovation	Contratto software (e rinnovo annuale).

CABLES Y COMPLEMENTOS TX MARINE HARNESSES & ACCESSORIES FOR TX MARINE CAVI E ACCESSORI TX MARINE

REF. Interfaz / Interface / Interfaccia
REC3902358 Marine (AM01)



REF. Interfaz / Interface / Interfaccia
REC3903008 Marine (AM01CAN)



REF. Interfaz / Interface / Interfaccia
REC3902407 Marine (AM02) HONDA



REF. Interfaz / Interface / Interfaccia
REC3902408 Marine (AM03) KAWASAKI



REF. Interfaz / Interface / Interfaccia
REC3902247 Marine 2 pin (AM04) MERCURY,
MERCUISER



REF. Interfaz / Interface / Interfaccia
REC3902250 Marine 4 vie (AM05) MERCURY,
MERCUISER



REF. Interfaz / Interface / Interfaccia
REC3902413 Marine (AM06) YAMAHA



REF. Interfaz / Interface / Interfaccia
REC3902414 Marine 6 pin (AM07) VOLVO
PENTA



REF. Interfaz / Interface / Interfaccia
REC3902417 OBD, FNM Marine, Volkswagen,
(AM08)



REF. Interfaz / Interface / Interfaccia
REC3902467 Marine (AM09) VOLVO KAD



REF. Interfaz / Interface / Interfaccia
REC3904048 Universal. (AM10)

Puntas de derivación.
Referral points.
Punta di derivazione.



REF. Interfaz / Interface / Interfaccia
REC3902659 Marine (AM11) FPT



REF. Interfaz / Interface / Interfaccia
REC3902864 Marine (AM12) Steyr



REF. Interfaz / Interface / Interfaccia
REC3902865 Marine (AM13) Evinrude



REF. Interfaz / Interface / Interfaccia
REC3902907 Marine (AM14) Volvo, Mercruiser
gasolina, MEFI-4



REF. Interfaz / Interface / Interfaccia
REC3900803 BRP Group (Sea-Doo, Rotax)
(3151/AP19)



REF. Interfaz / Interface / Interfaccia
REC3903560 Marine (AM22) Suzuki



REF. Diagnosis / Diagnosis / Diagnosi
REC3902931 Marine (AM15) Yanmar



REF. Diagnosis / Diagnosis / Diagnosi
REC3904266 Marine (AM23) Perkins



REF. Diagnosis / Diagnosis / Diagnosi
REC3904277 Marine (AM24) Cummins, MW



REF. Diagnosis / Diagnosis / Diagnosi
REC3905397 Marine (AM29) Caterpillar,
Perkins



REF. Diagnosis / Diagnosis / Diagnosi
REC3905159 Marine (AM26) Volvo EGC

Conector redondo
Round connector
Connettore rotondo



Sólo deben utilizarse con el interfaz REC3903008 (AM01CAN).
Only must use the interfaz REC3903008 (AM01CAN).
Solamente devono utilizzare l'interfaccia REC3903008 (AM01CAN).

REF. Interfaz / Interface / Interfaccia
REC3902960 Marine (AM16) Volvo,
MCM gasolina, MEFI-5 / EGC
ILMOR



REF. Interfaz / Interface / Interfaccia
REC3904778 Marine (AM25) Mercury 2010+,
Mandos MCM, Smartcraft



REF. Interfaz / Interface / Interfaccia
REC3903502 Marine (AM18) Volvo, EGC-EVC



ACCES.

RECAMBIOS
MARINOS S.L.

FUSIBLES Y PORTAFUSIBLES FUSES & FUSE BLOCKS FUSIBILI E PORTAFUSIBILI

FUSIBLES ATC MARINE FUSES ATC FUSIBILE ATC

Ref.	Resistencia Resistance Resistenza	Color Color Colore	Envase Pack Qnt
GS11501	3 Amp.	Rosa Pink Rosa	5 x skinpack / blister
GS11502	5 Amp.	Naranja Orange Arancio	5 x skinpack / bliste
GS11503	10 Amp.	Rojo Red Rosso	5 x skinpack / bliste
GS11504	15 Amp.	Azul Blue Blu	5 x skinpack / bliste
GS11505	20 Amp.	Amarillo Yellow Giallo	5 x skinpack / bliste
GS11506	30 Amp.	Verde Green Verde	5 x skinpack / bliste



GOLDENSHIP

Dimensiones: 19 x 19 mm.
Dimensions: 19 x 19 mm.
Dimensioni: 19 x 19 mm.

Ref.	Resistencia Resistance Resistenza	Color Color Colore	Envase Pack Qnt
BS5291	3 Amp.	Rosa Pink Rosa	2 x blister
BS5292	5 Amp.	Naranja Orange Arancio	2 x blister
BS5293	7,5 Amp.	Marrón Brown Marrone	2 x blister
BS5294	10 Amp.	Rojo Red Rosso	2 x blister
BS5295	15 Amp.	Azul Blue Blu	2 x blister
BS5296	20 Amp.	Amarillo Yellow Giallo	2 x blister
BS5297	25 Amp.	Blanco White Bianco	2 x blister
BS5298	30 Amp.	Verde Green Verde	2 x blister
BS5299	40 Amp.	Arena Sand Sabbia	2 x blister



**BLUE SEA
SYSTEMS**

Con LED indicador de fundido.
Dimensiones: 19 x 19 mm.
With illuminated LED when blown.
Dimensions: 19 x 19 mm.
Con indicatore LED di guasto.
Dimensioni: 19 x 19 mm.



Ref.	Resistencia Resistance Resistenza	Envase Pack Qnt
AM603905	5 Amp.	2 x blister
AM603910	10 Amp.	2 x blister
AM603915	15 Amp.	2 x blister
AM603920	20 Amp.	2 x blister
AM603930	30 Amp.	2 x blister

ANCOR
MARINE GRADE™ PRODUCTS

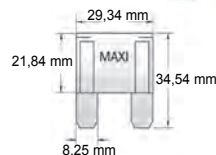
Dimensiones: 11 x 11 mm.
Dimensions: 11 x 11 mm.
Dimensioni: 11 x 11 mm.



FUSIBLES MAXI MAXI FUSES FUSIBILE MAXI

Ref.	Resistencia Resistance Resistenza	Envase Pack Qnt
BS5138	30 Amp.	1 x blister
BS5139	40 Amp.	1 x blister
BS5140	50 Amp.	1 x blister
BS5141	60 Amp.	1 x blister
BS5142	70 Amp.	1 x blister
BS5143	80 Amp.	1 x blister

**BLUE SEA
SYSTEMS**



Contactos estañados para resistir a la corrosión.
Tin plated connector blades for corrosion resistance.
Contatti in stagno per resistere alla corrosione.

DEPÓSITOS COMBUSTIBLE FUEL TANKS SERBATOIO CARBURANTE

GOLDENSHIP

Depósitos para combustible.
Fabricados en plástico ELTEX.
Conector para manguera de 8 mm.
Cumple las normas ISO-13591 ABYC H-25 International Standards Certified.
Fuel tanks made of ELTEX.
With pick up fuel 8 mm.
Meets ISO-13591 ABYC H-25 International Standards Certified.
Serbatoio per carburante.
Fabbricato in plastica ELTEX.
Attacco tubo da 8 mm.
Conforme alla norma ISO-13591 ABYC H-25 International Standards Certified.

Ref.	Dimensiones / Dimensions / Dimensione			
	Capacidad / Capacity / Capacità	Alto / Height / Altezz.	Ancho / Width / Largh.	Largo / Length / Lungh.
GS31043	45 l	30 cm	35 cm	50 cm
GS31044	60 l	30 cm	35 cm	65 cm
GS31045	75 l	30 cm	35 cm	80 cm
GS31046	100 l	30 cm	35 cm	105 cm
GS31047	42 l	22 cm	35 cm	65 cm
GS31048	52 l	22 cm	35 cm	80 cm
GS31049	75 l	22 cm	35 cm	105 cm



GOLDENSHIP

DEPÓSITO PORTÁTIL / PORTABLE FUEL TANKS / SERBATOIO PORTATILE

Ref.	Capacidad / Capacity / Capacità			Dimensiones / Dimensions / Dimensione		
GS31050	12 l			26 x 46 x 22 cm		
GS31051	22 l			32 x 54 x 24 cm		
GS31053	30 l			36 x 50 x 24 cm		
GS31052	22 l			32 x 50 x 21 cm		



RECAMBIOS / SPARE PARTS / RICAMBI

Ref.	Descripción / Description / Descrizione
GS31056	Racord alimentación / Outlet Pipe / Raccordo alimentazione
GS31057	Codo retorno / Breather pipe / Tubo di sfiato
GS31058	Toma completa / Complete outlet / Raccordo con tubo
GS31055	Tapón depósito / Complete plug / Tappo serbatoio

GOLDENSHIP



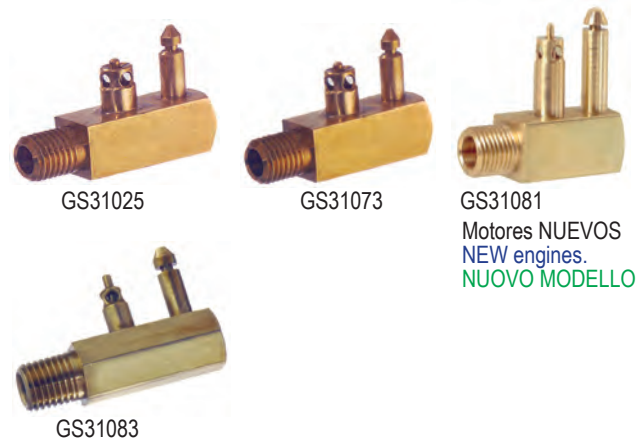
Recambios para los depósitos: GS31043 a GS31049.
Spare parts for the fuel tanks: GS31043 to GS31049.
Ricambi per il serbatoio: da GS31043 a GS31049.

CONECTORES GASOLINA / FUEL FITTINGS / ATTACCHI BENZINA

TOMA TANQUE COMBUSTIBLE / FUEL TANKS CONNECTOR / ATTACCO PER SERBATOIO

Ref.	R.O. / OEM	Rosca / Thread / Passo	Motor / Engine / Motori	Envase (x blister) / Pack (x skinpack) / Qnt (x Blister)
GS31025		1/4" NPT	Mercury/Mariner	1
GS31073		1/4" NPT	Yamaha	1
GS31081		1/4" NPT	Mercury/Mariner	1
GS31083	772681	1/4" NPT	Johnson/Evinrude	1

GOLDENSHIP



Motores NUEVOS / NEW engines. / NUOVO MODELLO.

Ref.	R.O. / OEM	Rosca / Thread / Passo	Motor / Engine / Motori	Envase (x blister) / Pack (x skinpack) / Qnt (x Blister)
GS31077	F213238T 2	1/4" NPT	Chrysler / Force	1

GOLDENSHIP

Chrysler (todos/all/tutti)
Force hasta/up to/ fino al: 1992.
5HP desde/from/dal: 1993 a 1997.
9.9HP
15HP
25HP



Ref.	R.O. / OEM	Rosca / Thread / Passo	Motor / Engine / Motori	Envase (x blister) / Pack (x skinpack) / Qnt (x Blister)
GS31017		1/4" NPT	Tohatsu/Nissan	1
GS31018	3B2-702601M	métrica	Tohatsu/Nissan	1
GS31019	99998-00MA2	1/4" NPT	Tohatsu/Nissan	1

GOLDENSHIP

Motores 2 tiempos de 5 a 90 hp.
Engines 2 stroke from 5 to 90 hp.
Motori 2 tempi de 5 a 90 hp.



GS31017

Motores 2 tiempos de 5 a 90 hp.
Engines 2 stroke from 5 to 90 hp.
Motori 2 tempi de 5 a 90 hp.



GS31018

Motores de 2 y 4 tiempos.
Engines 2 & 4 strokes.
Motori da 2 e 4 tempi.



GS31019

ACCES.

RECAMBIOS / MARINOS S.L.

Ref.	R.O. OEM	Rosca Thread Passo	Motor Engine Motori	Envase (x blister) Pack (x skinpack) Qnt (x Blister)
GS31032	116977-ZV5-900	1/4" NPT	Honda	1
GS31033	116977-ZV5-A00	1/4" NPT	Honda	1
GS31037	99105-00192	1/4" NPT	Suzuki	1
GS31038	65720-94411	métrica	Suzuki	1
GS31039	99105-00193	1/4" NPT	Suzuki	1
GS31070	99105-00193	1/4" NPT	Suzuki	1

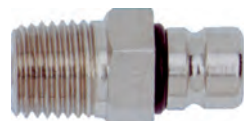
GOLDENSHIP



GS31032
Modelo antiguo.
Old model.
Modello vecchio.



GS31033
Modelo nuevo
New model.
Modello nuovo.



GS31037
Motores 2 tiempos de 2 a 60 hp.
Engines 2 stroke from 2 to 60 hp.
Motori 2 tempi di 2 a 60 hp.



GS31038
Motores antiguos 2 tiempos.
Old engines 2 stroke.
Motore vecchio 2 tempi.



GS31039
Motores antiguos 2 tiempos.
Old engines 2 stroke.
Motore vecchio 2 tempi.



GS31070
Motores de 2 y 4 tiempos.
Engines 2 & 4 strokes.
Motori da 2 e 4 tempi.

**TOMA TANQUE VERTICAL
VERTICAL FUEL TANKS CONNECTOR
ATTACCO VERTICALE PER SERBATOIO**

Ref.	R.O. OEM	Rosca Thread Passo	Motor Engine Motori	Envase (x blister) Pack (x skinpack) Qnt (x Blister)
GS31022		1/4" NPT	Mercury/Mariner	1
GS31023		1/4" NPT	Mercury/Mariner	1
GS31020		1/4" NPT	Yamaha	1
GS31021		1/4" NPT	Johnson/Evinrude	1

GOLDENSHIP



GS31022



GS31023

Modelo nuevo
New model.
Modello nuovo.



GS31020



GS31021

CONECTORES / CONNECTOR / ATTACCO

Ref.	Rosca Thread Passo	Envase (x blister) Pack (x skinpack) Qnt (x Blister)
GS31068	1/4" NPT	1

GOLDENSHIP



CODO DEPOSITO

Fabricado en latón.
TANK ELBOW
Made in machined brass.
CODO DEPOSITO
Fabbricato in ottone.



Ref.	Rosca Thread Passo	Envase (x blister) Pack (x skinpack) Qnt (x Blister)
GS31069	1/4" NPT	1

CONECTOR "T"

Para conectar dos motores a un sólo depósito,
o viceversa. Fabricado en latón.

CONNECTOR "T"
To connect two motors to a single deposit, or
vice versa. Made in machined brass.

CONECTOR "T"
Per collegare due motori a un solo serbatoio, o
viceversa. Fabbricato in ottone.

GOLDENSHIP



**CONECTOR COMBUSTIBLE
FUEL CONNECTOR
ATTACCO COMBUSTIBILE**

Ref.	R.O. OEM	Manguera Hose Tubo	Motor Engine Motori	Envase (x blister) Pack (x skinpack) Qnt (x Blister)
GS31026	22-142131	1/4"	Mercury/Mariner	1
GS31027	22-13563T-3	5/16"	Mercury/Mariner	1
GS31028	22-13563T-3	3/8"	Mercury/Mariner	1
GS31078	22831T3	3/8"	Mercury/Mariner	1
GS31079	30185T3	5/16"	Mercury/Mariner	1
GS31080	30185T3	3/8"	Mercury/Mariner	1
GS31082	22-13563T 7	3/8"	Mercury/Mariner	1

GOLDENSHIP



GS31026-GS31027-GS31028



GS31078



GS31079-GS31080



GS31082

Motores nuevos modelos. 40HP
hasta V6, 1998+.
New Engines. 40HP to V6, 1998+.
Motori nuovo. 40HP a V6, 1998+..

Ref.	R.O. OEM	Manguera Hose Tubo	Motor Engine Motori	Envase (x blister) Pack (x skinpack) Qnt (x Blister)
GS31086	F197787T 3	5/16"	Chrysler / Force	1
GS31087	F197787T 3	3/8"	Chrysler / Force	1

GOLDENSHIP



Chrysler (todos/all/tutti)
Force hasta/up to/ fino al: 1992.
5HP desde/from/dal: 1993 a 1997.
9.9HP
15HP
25HP



Ref.	R.O. OEM	Manguera Hose Tubo	Motor Engine Motore	Envase (x blister) Pack (x skinpack) Qty (x Blister)
GS31074	6Y1-24305-04	1/4"	Yamaha	1
REC6G1-24305-03	6G1-24305-00	5/16"	Yamaha	1
GS31076	6E5-24305-05	3/8"	Yamaha	1
GS31084	174508	5/16"	Johnson/Evinrude	1
GS31085	176445	3/8"	Johnson/Evinrude	1
GS31015	394-702500M	3/8"	Tohatsu/Nissan	1
GS31016	3B2-702810M	3/8"	Tohatsu/Nissan	1
GS31088	3B2-702501M	3/8"	Tohatsu/Nissan	1
GS31030	17660-ZV5-902	3/8"	Honda	1
GS31031	17660-ZV5-A00	3/8"	Honda	1
	17660ZW9-003	3/8"	Honda	1
GS31034	17650-921-003ZB	3/8"	Honda	1
GS31035	65750-98505	5/16"	Suzuki	1
GS31036	65750-98505	3/8"	Suzuki	1
GS31071	65750-95500	5/16"	Suzuki	1
GS31072	65750-95500	3/8"	Suzuki	1
GS31089	65720-986B0	3/8"	Suzuki	1
	65720-94410	3/8"	Suzuki	1

GOLDENSHIP



GS31074
REC6G1-24305-03
GS31076



GS31015
Motores 4 tiempos.
Engines 4 stroke.
Motori 4 tempi.



GS31030
Modelo antiguo.
Old model.
Modello vecchio.



GS31034
Modelo antiguo.
Old model.
Modello vecchio.



GS31035-GS31036
Conector pequeño. Motores 2
tiempos hasta 60 hp.
Little connector. Engines 2 stroke
to 60 hp.
Connettore piccolo. Motori 2 tempi
fino 60 hp.



GS31084-GS31085



GS31016



GS31088



GS31031
Modelo nuevo
New model.
Modello nuovo.



GS31089
Motores 4 tiempos de 25 a 140 hp.
Engines 4 stroke from 25 to 140 hp.
Motori 4 tempi de 25 a 140 hp.



GS31071-GS31072
Conector grande. Motores 2
tiempos desde 60 hp en adelante.
big connector. Engines 2 stroke
from 60 hp.
Connettore grande. Motori 2 tempi
da 60 hp in avanti.

BOMBA COMBUSTIBLE PRIMER BULB POMPA BENZINA

Ref.	R.O. OEM	Manguera Hose Tubo	Envase (x bolsa) Pack (x bag) Qty (x borsa)
GS31187		1/4"	1
GS31090		5/16"	1
GS31095		3/8"	1
CEF500621		8 mm	1

GOLDENSHIP



GS31187 - GS31090 - GS31095



CEF500621

Fabricada con elastomeros termoplasticos inyectados, resistentes al alcohol y rayos UV.
Premium quality bulb resistance to alcohol as well as UV and ozone.
Fabbricata con elastomero termoplastico, resistente ai solventi e raggi UV.

Ref.	R.O. OEM	Manguera Hose Tubo	Envase (x bolsa) Pack (x bag) Qty (x borsa)
GS31188		3/8"	1

GOLDENSHIP



BOMBA DE GASOLINA P3

Fabricada en Acetal rígido inyectado, resistente al alcohol y rayos UV.
PRIMER BULB P3
Premium quality bulb resistance to alcohol as well as UV and ozone.
POMBA BENZINA P3
Fabbricata in plastica rígida, resistente ai solventi e raggi UV.

Ref.	R.O. OEM	Manguera Hose Tubo	Envase (x blister) Pack (x blister) Qty (x blister)
SIE18-8004	Mercury/Mariner 98396A38 Johnson/Evinrude 174511	5/16"	1
SIE18-8005	Mercury/Mariner 98396A38 Johnson/Evinrude 174511	3/8"	1



UNIVERSAL

Fabricada en Acetal rígido inyectado, resistente al alcohol y rayos UV.
UNIVERSAL
Premium quality bulb resistance to alcohol as well as UV and ozone.
UNIVERSALE
Fabbricata in plastica rígida, resistente ai solventi e raggi UV.

LÍNEA DE COMBUSTIBLE FUEL LINE ASSEMBLY TUBO CARBURANTE

Ref.	R.O. OEM	Manguera Hose Tubo	Envase (x bolsa) Pack (x bag) Qty (x borsa)
GS31096		5/16"	1
GS31097		3/8"	1
GS31099		8 mm	1
SIE18-8013		5/16"	1
SIE18-8015		3/8"	1
CEF500600		8 mm	1

Universal. Con 2 m de manguera resistente al alcohol.

Universal. With 2 m alcohol resistant hose.

Universale con 2 m di tubo resistente ai solventi.

GOLDENSHIP



GS31096 - GS31097



GOLDENSHIP

GS31099



SIE18-8013, SIE18-8015



cef
CEF500600

Ref.	R.O. OEM	Manguera Hose Tubo	Envase (x bolsa) Pack (x bag) Qty (x borsa)
GS31189		3/8"	1

GOLDENSHIP



Bomba P3. Con 2 m de manguera resistente al alcohol.

Primer P3. With 2 m alcohol resistant hose.

Pompa P3 con 2 m di tubo resistente ai solventi.

PASAMAMPAROS THRU HULL PASSA SCAFO

Ref.	R.O. OEM	Manguera Hose Tubo	Envase (x blister) Pack (x blister) Qty (x blister)
GS31064		3/8"	1

GOLDENSHIP



Para atravesar mamparos de hasta 12mm. Fabricado en latón.

For bulkhead up to 12 mm. Made in machined brass.

Per attraversare paratie fino a 12mm. Fabbricato in ottone.

VÁVULAS VALVE VALVOLA

VÁVULA DE COMBUSTIBLE FUEL VALVE VALVOLA CARBURANTE

Ref.	R.O. OEM	Rosca Thread Passo	Manguera Hose Tubo	Envase (x bolsa) Pack (x bag) Qty (x borsa)
GS31006		1/4" NPT	1/4" FNPT	1
GS31007		1/4" x 1/4" M-F		
GS31008		1/4" x 1/4" F-F		
GS31009		3/8" x 3/8" F-F		

M --> Macho, Male, Maschio

F --> Hembra, Female, Femmina

GOLDENSHIP



GS31006



GS31007, GS31008, GS31009

Válvula manual a 2 vías, para combustible. Fabricada en latón pulido.

Two ways fuel valve. Made in brass.

Valvola manuale a 2 uscite, per carburante. Fabbricata in ottone.

Ref.	R.O. OEM	Rosca Thread Passo	Manguera Hose Tubo	Envase (x blister) Pack (x blister) Qty (x blister)
GS31010		1/4"	10 mm	1
GS31011		3/8"	10-13 mm	1

GOLDENSHIP

Válvula manual a 3 vías, para combustible. Fabricada en latón pulido. Montaje mediante soporte con 2 agujeros. Para conectar 2 depósitos a un solo motor.

Three ways fuel valve. Made in brass, with 2 holes flange. To connect 2 tanks to one single feeding pipe.

Valvola manuale a 3 uscite, per carburante.

Fabbricata in ottone. Fissare mediante supporto con 2 fori. Per collegare 2 serbatoi a un solo motore.



Ref.	R.O. OEM	Rosca Thread Passo	Manguera Hose Tubo	Envase (x blister) Pack (x blister) Qty (x blister)
GS31012		1/4"	10 mm	1

GOLDENSHIP

Válvula manual para combustible. Fabricada en latón cromado con racors.

Manual and remote fuel valve. Fabricada en chrome plated brass. Can be mounted in line with hose or directly on gasoline tanks.

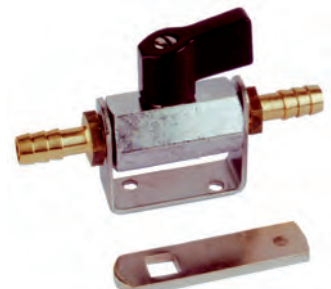
Valvola manuale per carburante.

Fabbricata in ottone cromato con raccordo. Si puo' montare in linea o smontando il supporto, incorporarla direttamente al serbatoio.

Manual and remote fuel valve. Made in chrome plated brass. Can be mounted in line with hose or directly on gasoline tanks.

Valvola manuale per carburante. Fabbricata in ottone cromato con raccordo. Si puo' montare in linea o smontando il supporto, incorporarla direttamente al serbatoio.

Manual and remote fuel valve. Made in chrome plated brass. Can be mounted in line with hose or directly on gasoline tanks.



VÁLVULA ANTI-RETORNO
NON-RETURN VALVE
VALVOLA ANTI-RITORNO

Ref.	R.O. OEM	Rosca Thread Passo	Manguera Hose Tubo	Envase (x bolsa) Pack (x bag) Qnt (x borsa)
GS31003			8 mm	1
GS31004			10 mm	1
GS31005			12 mm	1

GOLDENSHIP

Válvula anti-retorno para líneas de combustible y ventilación.
 In-Line non-return valve for fuel pipes.
 Valvola anti-ritorno per linee di combustibile e ventilazione.



ELECTROVÁLVULA DE COMBUSTIBLE
FUEL ELECTRO-VALVE
ELETTROVALVOLA CARBURANTE

Ref.	R.O. OEM	Rosca Thread Passo	Manguera Hose Tubo	Envase (x caja) Pack (x box) Qnt (x scatola)
GS31013		1/4"	8-10 mm	1

GOLDENSHIP

Electroválvula para carburante con capacidad hasta 100 l/h. Incluye conexiones para mangueras flexibles y para tubo de cobre. Accionamiento a 12V y manual. Cumple las normas: CE 94/25 (EN28846) y R.I.Na.DIP 61697. Fuel cut off electrovalve 12V with manual cock. Includes racors for flexible hose and cooper tube. Capacity: 100 lt/h. Meets: CE 94/25 (EN28846) & R.I.Na.DIP 61697. Elettrovalvola per carburante con Capacità fino a 100 litri/ora. Include raccordi per tubo flessibile e per tubi di rame. Avviamento a 12V e manuale. Conforme alla norma: CE 94/25 (EN28846) e R.I.Na.DIP 61697



CONECTOR DOBLE
DOUBLE CONNECTOR
CONNETTORE DOPPIO

Ref.	Para motores For engines Per motori	Manguera Hose Tubo	Envase (x blister) Pack (x blister) Qnt (x blister)
GS31091	OMC	8 mm	1
GS31092	YAMAHA	8 mm	1
GS31093	MERCURY / MARINER	8 mm	1

GOLDENSHIP



RACORS / RACORS / RACCORDO

Ref.	R.O. OEM	Rosca Thread Passo	Manguera Hose Tubo	Envase (x blister) Pack (x blister) Qnt (x blister)
GS30111		1/4"	10 mm	1
GS30112		3/8"	12 mm	1

GOLDENSHIP

Fabricado en latón. Para válvulas de combustible GS31010 y GS31011.
 Made in machined brass. For fuel valves GS31010 & GS31011.
 Fabbricato in ottone. Per valvola carburante GS31010 e GS31011.



FILTROS GASOLINA
FUEL FILTERS
FILTRO BENZINA

Ref.	Capacidad Capacity Capacità	Manguera Hose Tubo	Envase (x blister) Pack (x blister) Qnt (x blister)
GS30435		6, 8, 10 mm	1

GOLDENSHIP

De metal y cristal. Montaje en línea. Racors para mangueras de 6-8-10 mm. In-line. Clear body permits visual inspection. Racors 6-8-10 mm. Di metallo e cristallo. Montare in linea. Raccordi per tubi da 6-8-10 mm.



Ref.	Capacidad Capacity Capacità	Manguera Hose Tubo	Envase (x blister) Pack (x blister) Qnt (x blister)
GS31001	50 l/h	6-8 mm	1
GS31002	150 l/h	8-10 mm	1

GOLDENSHIP

Filtro transparente para gasolina o gasoil. Transparent plastic in line filter for petrol and diesel. Filtrò trasparente per benzina o gasolio.



FILTRO DECANTADOR GASOLINA
COMPLETE FUEL FILTER
FILTRO DECANTATORE BENZINA

Filtro completo Compleat filter Filtrò completo	Cartucho de recambio Replacement element Cartuccia di ricambio	Capacidad máxima Max. capacity Capacità massima
REC90794-46866	REC90794-46868	117 l/h



Filtro de decantación completo con vaso transparente. Para motores fueraborda. Complete fuel filter with transparent bowl. For outboards engines. Filtrò di decantazione completo con vaschetta trasparente. Per motori fuoribordo.

REF.	
RECYS-225-15	Llave para filtro Filter wrench Chiave per filtro

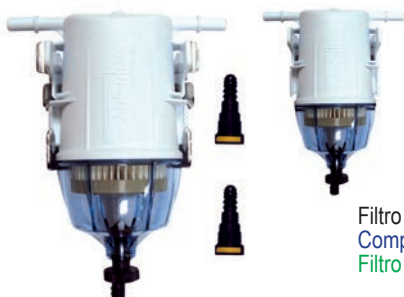


Filtro completo Compleat filter Filtro completo	Cartucho de recambio Replacement element Cartuccia di ricambio	Capacidad máxima Max. capacity Capacità massima
RECOBFILTER	RECOBELEMENT	150 l/h



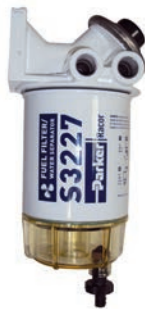
Filtro de decantación completo con vaso transparente. Para motores fueraborda.
Complete fuel filter with transparent bowl. For outboards engines.
Filtro di decantazione completo con vaschetta trasparente. Per motori fuoribordo.

Filtro completo Compleat filter Filtro completo	Cartucho de recambio Replacement element Cartuccia di ricambio	Motores máximo Max. engine Motore massimo
RAC23299-10	RAC23289-10	4T 130 HP



Filtro de combustible con braket.
Complete fuel filter with braket.
Filtro combustibile con supporto.

Filtro completo Compleat filter Filtro completo	Motores fueraborda superiores Outboard Engines more than Motori fuoribordo superiore	Capacidad máxima Max. capacity Capacità massima
RAC490R-RAC-01	150 HP	340 l/h



Filtro de decantación con purgador. Completo con vaso transparente. Elemento filtrante: 10 micras. Roscas: 3/8" NPTF.
Complete fuel filter with priming pump and transparent bowl. Head port size: 3/8" NPTF.
Filter rating: 10 micron.
Filtro di decantazione con pompa adescamento. Completo con vaschetta trasparente.
Elemento filtrante: 10 micron. Passo: 3/8" NPTF

REF.	R.O.
RACS3227	YMM-2E227-00

Elemento para filtros originales Yamaha-Suzuki.
Element for original filtres Yamaha & Suzuki.
Per filtro originale Yamaha-Suzuki.



Ref.	Elemento Element Cartuccia	
RAC320R-RAC-01	RACS3213	Aluminio / Alluminum / Auminio
RAC320R-RAC-03		Plastico / Plastic / Plastica



Incluye soporte
Includes bracket.
Con supporto



	RAC120R-RAC-01	RAC320R-RAC-01	RAC320R-INOX-01	RAC320R-RAC-02	RAC320R-INOX-02
Flujo máximo Max. flow Flussi massimo	114 lph 30 gph	340 lph 60 gph	340 lph 60 gph	340 lph 60 gph	340 lph 60 gph
Elemento / Element / Elemento	RACS324	RACS3213	RACS3213	RACS3220UL	RACS3220UL
Cazoleta transparente (1) Clear bowl (1) Vaschetta trasparente (1)	Si yes si	Si yes si	Si yes si	No	no
Roscas centrales Central threads Filetto centrale	M18 x 1.5	1 - 14	1 - 14	1 - 14	1 - 14
Tamaño rosca cabeza Head port size Dimensione vite testa	1/4-18 NPTF	1/4-18 NPTF	1/4-18 NPTF	1/4-18 NPTF	1/4-18 NPTF
Altura x Ancho x Prof. Height x Width x Depth Altezza x Largh x Prof.	166 x 81 x 81 mm	238 x 102 x 102 mm	238 x 102 x 102 mm	238 x 102 x 102 mm	238 x 102 x 102 mm
Peso / Weight / Peso	0.5 Kg	0.9 Kg	0.9 Kg	0.9 Kg	
Caida de presión Pressure drop Caduta di pressione	0.15 PSI 0.01 bar	0.61 PSI 0.04 bar	0.61 PSI 0.04 bar	0.61 PSI 0.04 bar	0.61 PSI 0.04 bar
Presión máxima (2) Max. pressure (3) Pressione massima (2)	7 PSI 0.5 bar	7 PSI 0.5 bar	7 PSI 0.5 bar	7 PSI 0.5 bar	7 PSI 0.5 bar
Desmontaje cartucho-cazoleta Element removal underbowl Timozione della cartuccia	25.4 mm 1"	25.4 mm 1"	25.4 mm 1"	25.4 mm 1"	25.4 mm 1"
Temp. trabajo Operating temp. Tempo lavoro	-40° C + 124° C / -40° F + 255° F				

(1) Las cazoletas transparentes sólo se recomienda para fueraborda.
Clear bowls are recommended just for outboards.
Si raccomanda l'utilizzo della vaschetta trasparente solo nei fuoribordo.

(2) Instalaciones de presión aplicables hasta el parametro escrito.
Pressure installations are applicable up to the maximum PSI shown.
L'installazione di pressione è applicabile fino al parametro scritto.

ELEMENTOS DE RECAMBIO

ELEMENT

ELEMENTI DI RICAMBIO

RACOR.



Ref.	R.O. OEM	Para filtros: For filters: Per filtro:
RACS3240		RAC120R-RAC-01
RACS3227	YMM-2E227-00	Yamaha-Suzuki
RACS3213		RAC320R-RAC-01, RAC320R-RAC-01 INOX
RACS3214		Reemplaza Johnson & Evinrude Replaces Johnson & Evinrude Sostituisce Johnson & Evinrude
RACS3228UL		RAC320R-RAC-02, con/with bracket RACOR.
RACS3220UL		RAC320R-RAC-02 y RAC320R-RAC-02 INOX

RACORS / RACORS / RACCORDI

Ref.	Rosca Thread Passo	Codo 90° Elbow 90° Gomito 90°	Recto Straight Dritto	Envase (x blister) Pack (x blister) Qnt (x blister)
GS31065	1/4" NPT	3/8"		1
GS31066	1/4" NPT		5/16"	2
GS31067	1/4" NPT		3/8"	2

GOLDENSHIP



Para filtros: / For fuel filters: / Per filtro:

RAC120R-RAC-01, RAC320R-RAC-01, RAC320R-RAC-02

ACCESORIOS ACCESSORIES ACCESSORI

OREJERAS MOTOR FLUSHER CUFFIE LAVAGGIO

Ref.		Envase (x bolsa) Pack (x bag) Qnt (x borsa)
GS30350	Redondas / Round / Rotonde	1
GS30352	Cuadradas / Square / Quadrate	1
GS30351	Redondas / Round / Rotonde	1
GS30353	Cuadradas / Square / Quadrate	1

Tomas de agua para refrigeración de motores fueraborda y colas intra-fueraborda.

For use on most outboards and inboard/outboards engines with side water inlets.

Cuffie lavaggio per motori entro-fueraborda e fueraborda.

GOLDENSHIP



Tomas de agua para refrigeración de motores fueraborda y colas intra-fueraborda. **Uso profesional.**

Heavy duty motor flusher for use on most outboards and inboard/outboards engines with side water inlets.

Cuffie lavaggio per motori entro-fueraborda e fueraborda **Uso professionale.**

GOLDENSHIP



PINTURAS PARA MOTORES FUERABORDA OUTBOARD ENGINE SPRAY PAINTS PITTURE PER MOTORI FUORIBORDO

Sprays de pintura con los colores originales para retoque de los motores fueraborda, interiores, intra-fueraborda y colas fueraborda más usuales. Capacidad: 400ml.

Spray paints with the original colors for maintenance and painting inboards and outboard marine engine as well as stern-drives units. Bottle: 400ml.

Vernice spray con i colori originali per ritocchi dei motori fuoribordo, entrobordo, entro-fueraborda e i piedi. Capacità: 400ml.



GOLDENSHIP

Ref.	Motor Engine Motore	Color Color Colore
GS90019		Barniz transparente / Clear Varnish / Vernice trasparente
PS110410	Evinrude	Azul / Blue / Blu (1989)
GS90037	Evinrude	Azul / Blue / Blu XP
PS111139	Honda	Gris Beige / Grey / Grigio-Beige (1991)
GS90038	Honda	Gris metalizado / Grey Metal / Grigio metallizzato
GS90023	Honda	Aquamarine Plata met. / Silver Metal / Argento metall
GS90030	Johnson	Blanco / White / Bianco (1972-90) - (1993+)
GS90026	Johnson	Blanco / White / Bianco (1981-83)
GS90039	Johnson	Plata metalizado / Silver Metal / Argento metallizzato
GS90040	Mariner	Gris / Grey / Gris
GS90002	Mercury	Negro / Black / Nero
GS90049	Parsun	Negro / Black / Nero
GS90032	Suzuki	Plateado / Silver / Argento (1983-89)
GS90025	Suzuki	Gris Metal / Grey Metal / Grigio Metallizzato (1989)
GS90042	Suzuki	Negro metalizado / Black Metal / Nero Metallizzato
GS90024	Tohatsu	Gris Metal / Grey Metal / Grigio Metal (1991)
GS90027	Tohatsu	Azul Cobalto / Blue Cobalt / Blu Cobalto (1988-90)
GS90043	Tohatsu	Azul / Blue Aquamarine / Blu
PS114694	Yamaha	Azul Metal / Blue Metal / Blu Metal (1974)
GS90021	Yamaha	Azul / Blue / Blu (1984+)
GS90020	Yamaha	Azul Origen / Blue Origin / Blue Origen
GS90022	Yamaha	Gris Metal / Grey Metal / Grigio Metal (1994)
PS110485	Yamaha	Gris Capot / Grey Capot / Grigio Capot (1994)

MANTENIMIENTO MOTORES ENGINE MAINTENANCE MANUTENZIONE MOTORE

PROTECTOR DE MOTOR ENGINE PROTECTOR PROTETTORE MOTORE

Ref.	
GS90090	Spray 500 ml

GOLDENSHIP

Producto a base de aceites y grasas que protege del óxido y la corrosión las superficies exteriores y partes eléctricas de los motores durante el invierno. Evita la formación de agarrotamientos debido a la presencia de salitre. Facilita el arranque eliminando los residuos de agua y humedad. Se elimina fácilmente. Oil & grease made, protects from rust & corrosion external engine surface during winter storage. Removes salt deposit and loosens rusted parts. Easy to remove.

Prodotto a base di olio e grasso che protegge dall'ossidazione e dalla corrosione le superfici esterne e parti elettriche dei motori durante l'invernaggio. Evita la formazione dell'ossidazione dovuta alla presenza del salmastro. Facilita l'accensione eliminando i residui di acqua e umidità. Si elimina facilmente.



ACCES.

RECAMBIOS
MARINOS S.L.

PROTECTOR DIELECTRICO DIELECTRIC PROTECTOR PROTETTORE DIELETRICO

Ref.	
GS90092	Spray 400 ml

GOLDENSHIP

Protector dieléctrico antihumedad para uso marino. Protege de la humedad y oxidación todos las partes eléctricas y mecánicas de los motores marinos. Ideal para invernaje de motores y mantenimiento de temporada.

Prevents humidity and corrosion of all electric and mechanical parts in marine engines. Specially indicate for winter storages and maintenance in the season.

Protettore dielettrico antiumidità per uso marino. Protegge dalla umidità e dall'ossidazione tutte le parti elettriche e meccaniche dei motori marini. Ideale per invernaggio dei motori e manutenzione di lunga durata.



ESTABILIZADOR DE GASOLINA FUEL STABILIZER STABILIZZATORE BENZINA

Ref.	
GE22207	Botella de 475 ml. (Para tratar hasta 150 l.) Bottle 16 fl.oz. (Treat up to 40 gallons) Bottiglia de 475 ml. (Trattare fino a 150 l.)

Para todos los motores de gasolina. Elimina el agua, limpia los carburadores e inyectores. Contiene antioxidantes para prevenir el óxido y la corrosión. No requiere vaciar el depósito para el invernaje y mantiene el combustible fresco para un rápido y fácil arranque.

For all gasoline engines. Keeps fuel fresh and allows for easier starts after periods of storage. Removes water, cleans carburetors and fuel injectors. Contains antioxidant to prevent rust and corrosion.

Per tutti i motori a benzina. Elimina l'acqua, pulisce i carburatori e iniettori. Contiene antiossidanti per prevenire l'ossidazione e la corrosione. Non è necessario svuotare il serbatoio per l'invernaggio e mantiene il carburante fresco per una rapida e facile partenza.

GOLD EAGLE



LIMPIADOR CARBURADOR Y STARTER CARBURATOR & CHOKE CLEANER PULITORE CARBURATORE

Ref.	
GEGC15	Spray 354 g

GOLD EAGLE

Aerosol para motores de 2 y 4 tiempos. Para limpieza del carburador y de los componentes internos del motor. Asegura arranques fáciles y ralenti suave. Despega los aros de los pistones. Restablece la potencia del motor.

Spray for all 2 and 4 cycle engines. Marine motor de-carb. Dissolves gum, varnish dirt and carbon deposits. Restores power & performance. Reduce fuel consumption.

Aerosol per motori di 2 e 4 tempi. Per la pulizia del carburatore e dei componenti interni del motore. Assicura partenze più facili e un minimo stabile. Lubrifica le fasce dei pistoni. Ristabilizza la potenza del motore.



ADITIVO GASOLINA GASOLINE ADDITIVE ADDITIVO BENZINA

Ref.	
STA93008	Botella de 237 ml. (Para tratar hasta 475 l.) Bottle 8 fl.oz. (Treat up to 120 gallons) Bottiglia de 237 ml. (Trattare fino a 475 l.)
STA93016	Botella de 473 ml. (Para tratar hasta 950 l.) Bottle 16 fl.oz. (Treat up to 250 gallons) Bottiglia de 473 ml. (Trattare fino a 950 l.)

Elimina y previene los problemas del ethanol. Reduce todas las emisiones contaminantes. Estabiliza la química del combustible durante 1 año. Reduce el mantenimiento del sistema de combustible. Elimina la producción de carbonilla. Reduce el consumo de combustible.

Eliminates and prevents ethanol fuel problems. Reduces all emissions. Prevents fuel oxidation and stabilizes fuel chemistry for at least 1 year. Lower fuel system maintenance. Eliminates carbon build-up. Increases fuel economy.

Elimina e previene i problemi dell'etanolo. Riduce tutte le emissioni contaminanti. Stabilizza la chimica del combustibile durante 1 anno. Elimina la produzione di residui carboniosi. Riduce il consumo del combustibile.

STAR TRON



LIMPIADOR DEPOSITOS FUEL TANK CLEANER PULITORE SERBATOI

Ref.	
STA93664	Botella de 1,9 l. (Para tratar hasta 950 l.) Bottle 64 fl.oz. (Treat up to 250 gal.) Bidone de 1,9 l. (Trattamenti fino 950 l.)

Excepcionalmente efectivo en la limpieza de lodos y algas en depósitos de gasolina o diesel. Retrasa la formación de nuevas algas que puedan contaminar el combustible. Nuevo y revolucionario aditivo que reemplaza los costosos sistemas de limpieza de los depósitos de combustible.

Exceptionally effective at cleaning sludge and algae from gasoline and diesel tanks. Slows the recurrence of new algae that can contaminate fuel. A revolutionary new additive that replaces expensive fuel polishing and tank cleaning.

Eccezionale efficacia nella pulizia dal fango e alghe nel serbatoio benzina o diesel. Ritarda la formazione di nuove alghe che possono contaminare il combustibile. Nuovo e rivoluzionario additivo che rimpiazza i costosi sistemi di pulizia dei serbatoi del combustibile.

STAR TRON



ACEITE DE INVERNAJE FOGGING OIL OLIO INVERNAGGIO

Ref.	
STA84800	Bidón de 3,8 l. / Drum 1 gallon / Bidone da 3,8 l
GE22001	Spray 340g

Para inyectar en los carburadores de motores a 2 y 4 tiempos. Protege las paredes de los cilindros, aros de pistones y otras superficies de la cámara de combustión durante los periodos de invernaje, facilitando el arranque del motor después de este periodo.

Prevents corrosion when storing inboard or outboard engines for a extended period of time. Special formula makes starting engine after storage quick and easy.

Da inserire nei carburatori dei motori da 2 e 4 tempi. Protegge le pareti dei cilindri, le fasce dei pistoni e altre superfici della camera di combustione durante il periodo di invernaggio, facilitando la partenza del motore dopo questo periodo.



STA84800



GE22001

DESCALCIFICADOR DE MOTOR DESCALING ENGINE FLUSH DECALCIFICANTE MOTORE

Ref.	Bidón de 3,8 l. / Drum 1 gallon / Bidone da 3,8 l
STA92600	

Starbrite

Limpiador para eliminar las incrustaciones, algas, y suciedad en los motores marinos. No daña las juntas ni impulsores de goma.

Removes scale, zebra mussels, general marine growth and vegetation from all marine engines.

Pulitore per eliminare le incrostazioni, alghe, e sporcizia nei motori marini. Non danneggia guarnizioni e giranti in gomma.



LUBRICANTES LUBRICANTS LUBRIFICANTI

ACEITE 4 TIEMPOS 4-STROKE OIL OLIO 4 TEMPI

Ref.	R.O. OEM	Botella Bottle Bottiglia	Bidón Drum Bidone
RM92-858045K01	92-858045QB1	1 l / 1 quart	
RM8M0078626	92-858046QB1		3,8 l / 1 gallon
RM8M0078623	92-858053QB1		3,8 l / 1 gallon

Aceite para motores fueraborda de 4 tiempos.

4-Stroke oil for outboards.

Olio per motori fuoribordo 4 tempi.



RM92-858045K01

RM8M0078626

SAE 25W-40

Aceite sintético para motores fueraborda de 4 tiempos tipo VERADO otencias superiores.

4-Stroke synthetic oil for engines type VERADO, DFI and higher horsepower.

Olio sintetico per motori fuoribordo di 4 tempi tipo VERADO, DFI e potenza superiore.



RM8M0078623

ACEITE MOTORES GASOLINA GASOLINE ENGINES OIL OLIO MOTORE BENZINA

Ref.	R.O. OEM	Botella Bottle Bottiglia	Bidón Drum Bidone
RM8M0078628	92-858049QB1		3,8 l / 1 gallon
RM92-858088Q01	92-858088QB1		3,8 l / 1 gallon



RM8M0078628



RM92-858088Q01

SAE 25W-40

Para motores intraborda.
Inboard engines.

Per motori entrobordeo.

SAE 20W-40

Para motores intraborda MPI.
Inboard MPI engines.

Per motori entrobordeo MPI.

ACEITE MOTORES DIESEL DIESEL ENGINES OIL OLIO MOTORE DIESEL

Ref.	R.O. OEM	Botella Bottle Bottiglia	Bidón Drum Bidone
RM92-858042K01	92-858042QB1		3,8 l / 1 gallon

SAE 15W-40



ACEITE MEZCLA 2-CYCLE OIL OLIO MISCELA

Ref.	R.O. OEM	Botella Bottle Bottiglia	Bidón Drum Bidone
RM92-858026K01	92-858026QB1	1 l / 1 quart	
RM92-858027Q01	92-858027QB1		3,8 l / 1 gallon
RM92-858037K01	92-858037QB1		3,8 l / 1 gallon

Aceite de mezcla Premium Plus para motores de 2 tiempos.

2 cycle oil. Premium Plus.

Olio miscela Premium Plus per motori 2 tempi.



RM92-858026K01

RM92-858027Q01

Aceite de mezcla para motores tipo OPTIMAX / DFI.

2 cycle oil for engines type OPTIMAX / DFI.

Olio miscela per motori tipo OPTIMAX / DFI.



RM92-858037K01

ACEITE MINERALES MINERAL GEAR OILS OLIO MINERALE

Especialmente indicados para los motores de gran cilindrada o de uso frecuente. Grado de viscosidad SAE 80W90. Fabricado con aditivos especiales para proveer una máxima durabilidad e inhibidores de la corrosión para una mayor protección contra el óxido y la corrosión.

High-viscosity 80w/90 Lower Unit Gear Lube. Ideal for modern outboard and stern drive lower units. Will not void manufacturers' warranties.

Indicato specialmente per motori di grande cilindrata o di uso frequente. Grado di viscosità SAE 80W90. Fabricato con additivi speciali per fornire una massima durata e impedire la corrosione per una maggiore protezione contro l'ossidazione e la corrosione.

Ref.	Tubo Tube Tubetti	Botella Bottle Bottiglia	Bidón Drum Bidone
LUB11540	290 g / 10 oz.		
LUB11552		1 l / 1 quart	
LUB11546			19 l / 5 gallons



LUB11540



LUB11552



LUB11546

Para colas de transmisión mecánica.
Lower Unit Gear Lube for mechanical drives.
Per piedi poppieri a trasmissione meccanica.



ACCES.

RECAMBIOS
MARINOS S.L.

ACEITE MINERAL FUERABORDAS 2-CYCLE OIL OLIO MINERALE PER FUORIBORDO

El nuevo aceite anticarbonilla **TC-W3** supera todos los requerimientos de garantía que los fabricantes de motores exigen. Utilice el **TC-W3** para obtener mayor potencia en su motor. Provee de una mayor protección contra la carbonilla en los pistones, el resacamiento de los aros, el fallo de las bujías en el arranque y del óxido. **Recomendado para los sistemas de inyección de aceite.**

Formulated from ultra-clean base stock oil to provide superior protection against piston scuffing, bearing wear, spark plug fouling, pre-ignition and rust. This formulation has outstanding lubricity and miscibility for better mixing of fuel and oil, resulting in a cleaner running engine. Contains no phosphorus. **Recommended for oil injection systems.** Outboard motor Oil.

Il nuovo olio anticarbona TC-W3 supera tutti i requisiti di garanzia che i produttori di motori esigono. Utilizzare il TC-W3 per ottenere maggior potenza nel motore. Fornisce una maggiore protezione contro i residui di combustione nei pistoni, l'essiccazione delle fasce, il non funzionamento delle candele nell'accensione. **Raccomandato per i sistemi di iniezione ad olio.**

Ref.	R.O. OEM	Botella Bottle Bottiglia	Bidón Drum Bidone
LUB11591		11 / 1 quart	
LUB11592			3,81 / 1 gallon
LUB11593			9,51 / 2,5 gallons
RM92-858021K01	92-858021QB1	11 / 1 quart	
RM92-858022K01	92-858022QB1		3,81 / 1 gallon
RM92-858023K01	92-858023QB1		9,51 / 2,5 gallons



LUB11591



LUB11592



LUB11593



RM92-858021K01



RM92-858022K01



RM92-858023K01

KIT ACEITE COLAS LOWER UNIT LUBE KIT KIT OLIO PIEDI

Ref.	Tubo Tubes Tubetti	Envase (x blister) Pack (x blister) Qnt (x blister)
LUB11101	285 g / 10 oz.	2

Kit para cambiar el aceite mineral de las colas OMC, Volvo, Mercuriser, Mercury y Mariner. Includes 2 tubes of high-viscosity lower unit gear lube. For OMC, Volvo, Mercuriser, Mercury & Mariner drives.

Kit per cambiare l'olio minerale dei piedi poppieri OMC, Volvo, Mercuriser, Mercury e Mariner.



ACEITES SINTÉTICOS SYNTHETIC OILS OLIO SINTETICO

Especialmente indicados para los motores de gran cilindrada o de uso frecuente. Grado de viscosidad SAE 80W90. Reduce el grado de fricción y calentamiento. No se mezcla con el agua. No anula las garantías de los fabricantes.

A synthetic gear lube that protects high-performance lower units in extreme operating conditions. Highly recommended for all engines over 100 hp. Will not avoid manufacturers' warranties.

Indicato specialmente per motori di grande cilindrata o di uso frequente. Grado di viscosità SAE 80W90. Riduce il grado di attrito e riscaldamento. Non si mescola con l'acqua. Non annulla la garanzia del produttore.

Ref.	R.O. OEM	Botella Bottle Bottiglia	Bidón Drum Bidone
LUB11564		11 / 1 quart	
LUB11565			191 / 5 gallon



Aceite sintético de alta calidad. Para colas de transmisión mecánica.

Power Pro 80w/90. Lower Unit Gear Lube for mechanical drives.

Olio sintetico di alta qualità. Per trasmissione meccanica.



LUB11564



LUB11565

ACEITE HIGH PERFORMANCE HIGH-PERF GEAR LUBE OLIO HIGH PERFORMANCE

Ref.	R.O. OEM	Botella Bottle Bottiglia	Bidón Drum Bidone
RM92-858064Q1	92-858064QB1	11 / 1 quart	
RM92-858065K01	92-858065QB1		9,51 / 2,5 gallon

Aceite de altas prestaciones. Para colas de transmisión mecánica.

High performance Lower Unit Gear Lube for mechanical drives.

Olio di alta prestazione. Per piedi poppieri a trasmissione meccanica.



RM92-858064Q1



RM92-858065K01

ACEITE TRIM / TILT POWER TRIM & TILT FLUID OLIO TRIM / TILT

Ref.	Tubo Tubes Tubetti
LUB11578	280 g / 10 oz.



Proporciona la viscosidad y lubricación necesaria para asegurar el perfecto funcionamiento de la bomba alargando la vida de los retenes y juntas. Power Trim & Tilt fluid. Formulated to provide viscosity and lubricity necessary to ensure proper pump performance and seal life.

Fornisce la viscosità e la lubrificazione necessaria per assicurare il perfetto funzionamento della pompa allungando la vita delle guarnizioni.



GRASA MARINA MARINE GREASE GRASSO MARINO

Lubricante insoluble al agua, ideal para aplicaciones marinas. Excelente protección contra fricciones, óxido y corrosión.

Special calcium sulfonate complex, water insoluble formula ideal for marine applications. Provides excellent corrosion protection under severe conditions caused by salt water and air.

Lubrificazione insolubile all'acqua, ideale per applicazioni marine. Eccellente protezione contro l'attrito, l'ossidazione e la corrosione.

Ref.	Tubo Tube Tubetti	Bote Can Latta	Bidón Drum Bidone	Envase (x blister) Pack (x blister) Qnt (x blister)
LUB11400	85 g / 3 oz.			4
LUB11402	400 g / 14 oz			1
LUB11406	280 g / 10 oz			1
LUB11407			13,5 kg / 35 lbs	1
LUB11404		450 g / 16 oz		1



LUB11400

LUB30190

Utilizar con pistola LUB30190
Use with LUB30190 gun.
Utilizzare con la pistola LUB30190



LUB11402

Utilizar con pistola LUB30200
Use with LUB30200 gun.
Utilizzare con la pistola LUB30200



LUB30200



LUB30197

LUB11406



LUB11407

LUB11404

GRASA DE LITIO LITHIUM GREASE GRASSO AL LITIO

Ref.	Envase
LUB11363	Spray 350 ml / 12 oz.



Grasa de litio con Teflón. Color blanco.
Heavy duty white lithium grease with Teflon.
Grasso al litio con Teflón. Colore bianco.



GRASA DE PTEF PTEF LUBRICANT GRASSO PTEF

Ref.	Bote / Can / Latta
STA85504	113 gr / 4 oz.



Grasa de PTEF impermeable al agua dulce o salada. Color blanco. Reduce la fricción y desgaste.

Ideal para winches, cremalleras, etc. Special PTEF formula will not wash off. Protects from -65°F to +650°F. Great for zippers, winches, etc.
Grasso PTEF impermeabile all'acqua dolce e salata. Colore bianco. Riduce l'attrito. Ideale per verricelli, cerniere etc.



GRASA TRANSPARENTE SNAP & ZIPPER LUBRICANT GRASSO TRASPARENTE

Ref.	Tubo / Tube / Tubo
STA89102	60 gr / 2 oz.



Grasa de PTEF impermeable al agua dulce o salada. Reduce la fricción y desgaste. Ideal para clips y cremalleras de metal o plástico. Repele la sal.

Special PTEF formula will not wash off. Protects from -65°F to +650°F. Great for metal and plastic clips and zippers.

Grasso PTEF impermeabile all'acqua dolce e salata. Riduce l'attrito. Ideale per clips e cerniere di metallo o plastica. Protegge dal sale.



GRASA PARA WINCHES WINCHES GREASE GRASSO PER VERRICELLI

Ref.	Tubo / Tube / Tubo
SOR112100	100 ml



Grasa anticorrosión, utilizada para lubricar winches, cabrestantes, y otras partes mecánicas abiertas así como sumergidas. No se endurece. Gran estabilidad en ambientes marinos. Puede trabajar en temperaturas de hasta 180°.

Anticorrosion grease, lubricates winches and other mechanical parts. It does not solidified. Allows high temperatures.

Grasso anticorrosione, utilizzato per lubrificare verricelli, e altre parti meccaniche, come quelle sommerse. Non si indurisce.

Grande stabilità nell'ambiente marino. Può lavorare con temperature fino a 180°.



HERRAMIENTAS TOOLS ATTREZZI

KIT PISTOLA + GRASA MIDGET GREASE GUN KIT KIT PISTOLA + GRASSO

Ref.
LUB30190



Kit compuesto de una pistola pequeña y muy versátil que permite la salida del tubo conector frontal o superior. Presión máxima 300 k/cm². Incluye un bloqueador para mantener el cartucho en posición y tubo de salida de 14 cm. Admite cartuchos de 3 onzas (85 g) o grasa a granel. Marine corrosion control lubrication kit. Small, versatile gun allows for front or top pipe placement. Barrel takes 3 oz. grease cartridge or can be bulk loaded. Develops up to 4,500 psi. Kit composto da una pistola piccola e molto versatile che permette l'uscita del grasso dal tubo frontale o superiore. Pressione massima 300 k/cm². Include un blocco per tenere la cartuccia in posizione, il tubo è da 14 cm. Utilizza cartuccia da 85 gr. o grasso sfuso.



PISTOLA DE GRASA LEVER GREASE GUN PISTOLA GRASSO

Ref.
LUB30200



Pistola de grasa para cartuchos de 14 onzas. Incluye manguera curvada y conector standard. Presión máxima 6.000 psi. (420 k/cm²). Standard Lever grease gun takes 14 oz. cartridge or can be suction loaded. Includes curved pipe and std. coupler. Pistola grasso per tubi da 14 oz (400 gr). Include tubo curvo e connettore standard. Pressione massima 6.000 psi. (420 k/cm²)



MANGUERA FLEXIBLE FLEXIBLE GREASE HOSE TUBO FLESSIBILE

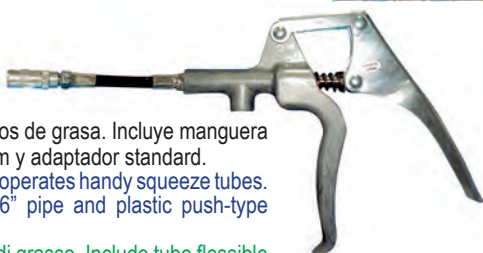
Ref.
LUB10212



Tubo flexible da 30 cm da adattare alla pistola da grasso LUB30200. Rubber with 12" wire braids flexible hose to adapt to grease gun LUB30200. Manguera flexible de 30 cm para adaptar a la pistola de grasa LUB30200.



Ref.
LUB30197



Pistola para tubos de grasa. Incluye manguera flexible de 14 cm y adaptador standard. All purpose gun operates handy squeeze tubes. Includes 2-11/16" pipe and plastic push-type coupler. Pistola per tubi di grasso. Include tubo flessibile da 14 cm e adattatore standard.

BOMBA EXTRACTORA LOWER UNIT PAIL PUMP POMPA ESTRATTRICE

Ref.
LUB55011



Bomba extractora para bidones de aceite de 19 litros. LUB11546 y LUB11565. Puede acoplarse directamente a las colas. Se suministra con adaptador roscado para las colas americanas habituales.

For bulk filing of lower units and stern drives. Designed to fit 35lb/5 gal on per pails.

Pompa estrattrice per bidoni d'olio da 19 litri. LUB11546 e LUB11565 Si può collegare direttamente ai piedi. Si vende con adattatori para i piedi poppierei abituali.



PISTOLA DE ACEITE BOTTLE GREASE PUMP PISTOLA OLIO

Ref.
LUB55005



Pistola para acoplar en los envases de botella de 1 l LUB11552 y LUB11564. Se suministra con kit de adaptación con válvula anti-retorno. Lower unit quart pump. Complete with metal threaded filler fitting.

Pistola da accoppiare a bottiglie da 1 lt. LUB11552 e LUB11564. Si vende con kit di accoppiamento con valvola anti-ritorno.



KIT ENGRASADORES METRIC GREASE FITTINGS KIT LUBRIFICATORI

Ref.
LUB11957



Kit compuesto por 8 engrasadores métricos de 6 mm (4 rectos, 2 de 45° y 2 de 90°).

Includes eight 6mm metric fittings: 4 straight, 2 of 45° and 2 of 90°.

Kit composto da 8 lubrificatori metrici da 6mm (4 dritti, 2 da 45° e 2 da 90°).



EXTRACTOR FILTROS OIL FILTER WRENCH ESTRATTORE FILTRI

Ref.
LUB70719



Llave para filtros de aceite. Correa de nylon no deslizante y mango para llave de 1/2". Para filtros de hasta 6" Nylon strap oil filter wrench. Fits filters up to 6"

Chiave per filtri dell'olio. Cinturino di nylon e manico antiscivolo per chiave da 1/2". Per filtri fino a 6".



EXTRACTOR IMPULSORES IMPELLER REMOVAL ESTRATTORE GIRANTE

Ref.	Para impulsores For impellers Per giranti
GS20198	Max Ø 65 mm / Max Ø 2-1/2"
GS20199	Ø 77 a 127 mm / Ø 3" to 5"

GOLDENSHIP



Extractor para impulsores flexibles de bombas, motores fueraborda e interiores.

Flexible impeller removal tool, suitable for all marine flexible impellers of water pumps, outboard and inboard engines.

Estrattore per giranti di pompe di motori fuoribordo e entrobordo.

KIT CAMBIO DE ACEITE OIL CHANGE KIT KIT CAMBIO OLIO

Ref.	Capacidad Flow Capacità	Volts / amp	Dimensiones Dimensions Dimensioni
SH8050-305-426	14,1 l/m	12 V / 4,7 A	406 x 318 mm

Bomba reversible, para cambio de aceite instalada sobre un bidón portátil de 13 l con mangueras de extracción y 2,5 m de cable eléctrico con pinzas.

Reversible pump kit for oil change, winterizing and liquid transfer.

Hose kit and 3,5 gal. storage container.

Pompa reversibile, per cambio dell'olio installata sopra un bidone portatile da 13 lt con rubo di estrazione e 2,5 m di cavo elettrico con pinze.



BOMBA DEPÓSITO ACEITE PUMP-TANK PAIL OIL BIDONE OLIO

Ref.
SSPELO5

Sistema completo con un depósito de 5,5 l. Tapa superior con triple función: llenado, varilla nivel y tapón de apretura de seguridad) 2,4 m de manguera de suministro y 2 conectores de motor universales.

Simply fill the tank with engine oil, pressurize tank with air (50-100 psi), conecte la manguera de aceite al motor, abra la válvula del depósito y en pocos segundos el llenado está realizado.

Comes complete with 5 quart capacity tank, triple purpose top (oil fill/dipstick measure/patented pressure release safety cap) 8 ft. oil supply hose and 2 universal engine connector fittings.

Simply fill the tank with engine oil, pressurize tank with air (50-100 psi) connect pre-lube oil supply hose to engine oil sending unit port, open tank flow-control valve, and in just a few seconds pre-lube is complete.

Sistema completo con un serbatoio da 5,5 lt. Parte superiore con tripla funzione: riempimento, tenuta e tappo di sicurezza. Viene fornito con 2,4 mt. di tubo e 2 connettori universali per i motori.

Riempire il serbatoio con olio motore, pressurizzare la tanica con aria (50-100 psi), connettere il tubo dell'olio al motore, aprire la valvola del serbatoio e in pochi secondi verrà riempito il circuito dell'olio.



BOMBA DEPÓSITO GREASECASE FILLER POMPA OLIO

Para llenado de colas. Con válvula de ventilación para evitar derrames.

With check valve venting system to avoid overflow

Per mettere l'olio nei piedi poppier. Con valvola di sfiatione per evitare fuoriuscite.



REC55133M

REC55133S



Ref.	
REC55133GF	Bomba depósito / Greasecase filler / Pompa olio
REC55133M	Adaptador métrico (excepto Suzuki) Metric adaptor (excl. Suzuki) Adattatore metrico (eccetto Suzuki)
REC55133S	Adaptador para Suzuki Adaptor for Suzuki Adattatore per Suzuki

BOMBA DE TRASVASE DRILL PUMP POMPA TRAVASOE

Ref.	Caudal / Flow rate / Flusso
SH3010-000	760 l/h / 200 gph

SHURflo

Bomba extractora de aceite o trasvase de líquidos. Se acopla a los taladros eléctricos con portabrocas de 6 mm. Incluye manguera y tubo para aceite.

Ideal for pumping water or oils.

Includes 2,4 m hose. Drill shaft: 6 mm.

Pompa estraitrice olio o travaso di liquidi. Si accoppia ai trapani elettrici con morsetti di 6 mm. Incluso tubo dell'olio.



EXTRACTORES DE ACEITE MANUALES OIL MANUAL EXTRACTORS POMPA DE OLEO MANUALE

Ref.
GS20151

GOLDENSHIP

Bomba manual para extraer el aceite de motor. Cuerpo de PVC y latón. Incluye tubos de nylon flexible.

Made of solid brass and PVC. With removable tubing for easy operation and cleaning.

Pompa manuale per estrarre l'olio dal motore.

Corpo in PVC e ottone. Include tubi in nylon flessibile.



Ref.	Capacidad Flow Capacità	MEDIDAS (alto x ancho) MEASUREMENTS (height x width) MISURE (altezza x larghezza)	Peso Weight Peso
GS20080	4 l	496 x 204 mm	2.1 kg
GS20081	6 l	648 x 204 mm	2.4 kg
GS20082	18 l	700 x 350 mm	4.9 kg

GOLDENSHIP

Temperatura máxima 100°C

Maximum temperature 100 °C

Temperatura massima 100 °C

Temperatura massima 100 °C



GS20080

GS20081

GS20082

ACCES.

RECAMBIOS
MARINOS S.L.

SOPORTES DESCARGA EMBARCACIONES BOAT HANDLING JACKS & STANDS SUPPORTI SCARICO IMBARCAZIONI

YARH10

KIT DESCARGA BARCOS

Incluye:

- 4 Soportes hidráulicos
- 4 Soportes
- 4 Soportes inclinados 25 cm.(YAR14)
- 4 Soportes asiento barco

Para cargar o descargar embarcaciones de los remolques o cuna. Los remolques pueden entrar y salir de entre los gatos hidráulicos libremente, facilitando su tarea. Levantan embarcaciones de hasta 18 toneladas. Su recorrido de elevación es de 51 cm. Equipado con válvula de bloqueo que permite mantener el barco indefinidamente en la posición deseada. Puede actuar sobre tierra, grava, asfalto o cemento, tanto en la tienda, como en el varadero o exposición.

BOAT HANDLING JACKS KIT

Includes:

- 4 Jacks
- 4 Straight arms
- 4 10" drop arms (YAR14)
- 4 4" x 18" contact pads

Work station for bottom repair & cleaning. Trailer rolls in out past jacks, allowing you to take boats on or off trailers easily. Jacks have an auto lock allowing boats to be left on indefinitely. Can be used on dirt, gravel, black top or cement. Can be used anywhere! Shop, yard, showroom. Lifts boats up to 40,000 lbs.

KIT SCARICO BARCHE

Include:

- 4 Supporti idraulici
- 4 Supporti
- 4 Supporti inclinati 25 cm.(YAR14)
- 4 Supporti appoggi barche

Per caricare o scaricare imbarcazioni da rimorchi o sostegni. I rimorchi possono entrare e uscire tra i cric idraulici liberamente, facilitando il compito. Solleva imbarcazioni fino a 18 tonnellate. Escursione max di 51 cm. Fornito di valvola di blocco che permette di mantenere la barca nella posizione desiderata per diverso tempi. Può essere usato su terra, ghiaia, asfalto o cemento, come in negozio o in esposizione.



ESPECIFICACIONES Y COMPLEMENTOS / SPECIFICATIONS & COMPLEMENTS / CARATTERISTICHE E SUPPLEMENTI

	Capacidad / Capacity / Capacità	Altura / Height / Alteza
YAR10		
Cada soporte hidráulico / Each Jack / Ogni supporto idraulico	4.536 kg / 10 Lbs.	48 cm / 19"
1ª posición / 1st Pin hole / 1ª posizione	3.630 kg / 8 Lbs.	84-132 cm / 33" - 52"
2ª posición / 2nd Pin hole / 2ª posizione	7.258 kg / 16 Lbs.	84-132 cm / 33" - 52"
3ª posición / 3rd Pin hole / 3ª posizione	10.886 kg / 24 Lbs.	84-132 cm / 33" - 52"
4ª posición / 4th Pin hole / 4ª posizione	18.144 kg / 40 Lbs.	84-132 cm / 33" - 52"
YAR15		
Kit 4 soportes inclinados 38 cm / Set of 4, 15" drop arms / Kit 4 supporti inclinati 38 cm	4.536 kg / 10 Lbs.	47-95 cm / 18.5" - 37.5"
YAR16		
Kit 4 soportes inclinados 51 cm / Set of 4, 20" drop arms / Kit 4 supporti inclinati 51 cm	4.536 kg / 10 Lbs.	32-80 cm / 12.5" - 31.5"
YAR17		
Kit 4 soportes elevadores de 12,5 cm / Set of 4, 5" riser extension / Kit 4 supporti elevatori di 12,5 cm		
YAR18		
Kit 4 soportes elevadores de 25 cm / Set of 4, 10" riser extension / Kit 4 supporti elevatori di 25 cm		
YAR19		
Kit 4 asientos para barcos pesados (más de 6.800 kilos) / Set of 4, 6" x 30" Big boat pads / Kit 4 staffe per barche (più pesanti di 6.800 kg)		



YAR17, YAR 18

RECAMBIO PARA YARH10

SPARE FOR YARH10

RICAMBIO PER YARH10

Ref.	
YARJAT	Rueda / Wheel / Ruota
YARSLKTN	Kit reparación / Repair kit / Kit riparazione
YARNSCYL	Pistón / Piston / Pistone
YARNSTVALVE	Llave de recambio / Spare "T" key / Chiave di ricambio



YARSLKTN



YARJAT



YARNSCYL



YARNSTVALVE

SOPORTES / STANDS / SUPPORTO

Ref.	Motores / Engines / Motori
YARES1	GM V6, V8
YARFHA	Kit FORD
YARFWSA	



YARES1

Soporte trabajo con ruedas para reparar y probar motores. Se suministra con soportes para motores GM V6 y V8, bloque pequeño y grande.
 Engine stand. Holds motors by mounts so they can be completely rigged and tested on stand. Holds big & small block V6 - V8
 Supporto lavoro con ruote per riparare e provare i motori. Si vende con supporti per motori GM V6 e V8, blocco piccolo e grande.

YARFHA

Kit soportes motores FORD, / Ford holder arms. / Kit supporto motore FORD

YARFWSA

Soportes motor volante / Flywheel engines arms / Supporto volano motore

Ref.	Motores / Engines / Motori
YARES2	GM, FORD, VOLVO
YARFHA	Kit FORD
YARCHA	Kit GM



YARES2

Soporte trabajo giratorio 360° con ruedas. Para todo tipo de motores; GM, FORD, VOLVO. Ideal para reparaciones completas. Se le pueden adaptar los soportes referencias YARCHA para GM y YARFHA para FORD y probar motores en funcionamiento.
 Allows engine to be rotated 360° adjustable mounting plate will accommodate all engine types.

Supporto lavoro girevole 360° con ruote. Per tutti i tipi di motori; GM, FORD, VOLVO. Ideale per riparazioni complete. Si possono adattare i supporti di riferimento YARCHA per GM e YARFHA per FORD e provare i motori in funzione.

YARFHA

Kit soportes motores FORD, / Ford holder arms. / Kit supporto motore FORD

YARCHA

Kit soportes motores GM / GM engines arms / Kit supporto motore GM.

YARSR5



YARSR5

Soporte para 5 colas. Mantiene el taller limpio y organizado. Protege las colas de golpes y daños.

Holds 5 stern drives. Keeps shop looking neat and clean. Protects drives from being cratched and damaged.

Supporto per 5 piedi. Mantiene l'officina pulita e organizzata. Protegge i piedi dai colpi e dai danni.

YARED36



YARED36

Soporte para embarcaciones. Carga hasta 1.500 kilos.

Economy dolly system. 3000 lbs. capacity

Carrello per imbarcazioni. Carica fino a 1.500 chili.

RUEDA DE RECAMBIO

SPARE WHEEL

RUOTA DI RICAMBIO

Ref.	
YARSRC	YARSR5
YARED36C	YARES1, YARES2, YARED36

YARSRC

Rueda de recambio para YARSR5

Spare wheel for YARSR5

Ruota di ricambio per YARSR5

YARED36C

Rueda de recambio para YARES1, YARES2,

YARED36

Spare wheel for YARES1, YARES2, YARED36

Ruota di ricambio per YARES1, YARES2,

YARED36



ACCES.

RECAMBIOS
MARINOS S.L.

YARWS3

YARDARM



YARWS3

Soporte trabajo reparación todo tipo de colas.
Work station. Holds all kind of drives.
Supporto lavoro per riparare tutti i tipi di piedi.



YARWSPH

YARWSPH

Soporte bloques fueraborda. Se adapta al soporte de trabajo YARWS3.
Outboard mounting plate for work station YARWS3
Supporto blocchi fuoribordo. Si adatta al supporto di lavoro YARWS3.

YARJO6HD

RECMAR



YARJO6HD

Carro con gato hidráulico para la instalación de todo tipo de colas. Permite desmontar o montar colas, una sola persona. Especialmente útil en embarcaciones con plataforma integrada. Construido con brazos extra largos de sujeción y base con 4 ruedas neumáticas. Gran capacidad de elevación para colas de peso extra. También en colas de doble hélice. Varias regulaciones.

Stern drive installer. Works in all makes and models. Allows one man to remove and install stern drives. Especially helpful on boats with integrated swim platforms. Built with extra long clamping arms and wheel base, plus heavyduty lifting capacity for those extra heavy drives. Also works great on dual prop drives. Unique low cost shop tool. 4 air tires allow for rugged yard use.

Carro con crik idraulico per l'installazione di tutti i tipi di piedi. Permette ad una persona di smontare o montare i piedi da solo. Specialmente utile nelle imbarcazioni con piattaforma integrata. Costruito con larghi bracci di fissaggio e una base con 4 ruote pneumatiche. Grande capacità di sollevamento per piedi con peso extra. Anche piedi con doppia elica. Varie regolazioni.

RECAMBIO PARA YARJO6HD

SPARE FOR YARJO6HD

RICAMBIO PER YARJO6HD

Ref.	
YARJOCYL	Pistón / Piston / Pistone
YARJHDAT	Rueda / Wheel / Ruota
YARJO-5	Suplemento 12 cm / Supplement 5" / Supplemento 12 cm
YARJO-10	Suplemento 25 cm / Supplement 10" / Supplemento 25 cm



YARJOCYL



YARJHDAT



YARJO-5



YARJO-10

KIT EXTRACTOR DE HÉLICES KIT PROPELLER PULLER KIT ESTRATTORE ELICHE

Ref.	Para ejes For shafts Per assi	Peso Weight Peso
NATPPF-101	3/4" - 1-1/8"	2,7 kg / 6 lb.
NATPPF-118	1-1/4" - 1-1/5"	5 kg / 11 lb.
NATPPF-119	1-5/8" - 2"	11,8 kg / 26 lb.

NATPPF-101

Kit que incluye: Herramienta extractora, Llave para la herramienta y la tuerca. Tuerca autoblocante de latón. Chaveta de latón. Pasador inox. Tubo de grasa. Cabo de seguridad. Maletín de transporte. Distancia mínima entre el cono de la hélice y el arbotante: 6 mm.

Includes shaft diameter propeller puller, a wrench for the puller and prop nut, a ss cotter pin, a brass prop shaft key, a brass prop nut, waterproof grease, safety lanyard and is packaged in a rustproof carrying case. Clearance required between propeller hub and strut is 1/4" minimum.

Kit che include: estrattore, chiave e dado in ottone. Chiave in ottone. Estrattore in inox. Tubo di grasso. Cavo di sicurezza. Valigetta di trasporto. Distanza minima tra il cono dell'elica e il terminale: 6 mm.



NATPPF-101

NATPPF-118

Herramienta extractora, con maneta desmontable y cable de seguridad.

Se suministra con bolsa reforzada de nylon. Distancia mínima entre el cono de la hélice y el arbotante: 16 mm.

Includes shaft diameter propeller puller with removable handle, safety lanyard and heavy duty nylon stowage bag. Clearance required between propeller hub and strut is 5/8" minimum.

Estrattore, con maniglia smontabile e cavi di sicurezza. Si vende con borsa rinforzata in nylon. Distanza minima tra il cono dell'elica e il terminale: 16 mm.



NATPPF-118

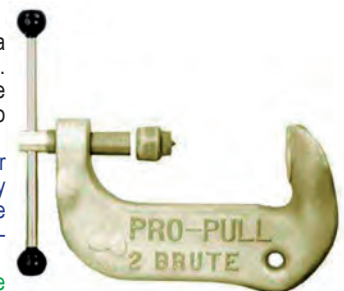
NATPPF-119

Herramienta extractora, con maneta desmontable y cable de seguridad.

Se suministra con bolsa reforzada de nylon. Distancia mínima entre el cono de la hélice y el arbotante: 19 mm.

Includes shaft diameter propeller puller with removable handle, safety lanyard and heavy duty nylon stowage bag. Clearance required between propeller hub and strut is 5/8" minimum.

Estrattore, con maniglia smontabile e cavo di sicurezza. Si vende con borsa rinforzata in nylon. Distanza minima tra il cono dell'elica e il terminale: 19 mm.



NATPPF-119

KIT EXTRACTOR DE POLEAS PULLER TOOL KIT KIT ESTRATTORE PULEGGE

Ref.
SSP4600

Extractor de polea contrapesos.
Contiene 5 juegos de tornillos de diferentes medidas.
Harmonic ballancer puller.
5 sets of screws are provided.
Estrattore di pulegge.
Contiene 5 kit di viti di differenti misure.



Ref.
SSPHBP100K



Kit para extraer e instalar poleas. Para uso en todos los motores Ford, GM y Chrysler. También puede utilizarse para volantes de dirección y poleas en general. Esfuerzo máximo recomendado: 20 kg.
Harmonic ballancer puller and installation tool kit. Use on all Ford, GM & Chrysler engines. Heavy duty tool. Can also be used for steering wheels and pulleys.
Kit per estrarre e installare pulegge in tutti i motori Ford, GM e Chrysler. Si può utilizzare per volani di direzione e pulegge in generale. Carico massimo: 20 kg.

EXTRACTOR PIÑONES Y COJINETES UNIVERSAL PULLER PLATE ESTRATTORE PIGNONE E CUSCINETTI

Ref.	Capacidad Capacità Capacità
REC91-00001	30-50 mm / 1 1/4" ~ 2 1/4"
REC91-00002	50-75 mm / 2 1/4" ~ 3 1/2"
REC91-37241	75-105 mm / 3" ~ 4 1/2"

RECMAR



JUEGO DE MACHOS TAP AND DIE SET FILIERA

Ref.
CRA952343

En pulgadas.
Garantía de por vida.
In inches.
Lifetime warranty.
In pollici.
Garantita a vita.



EXTRACTOR COJINETES Y HÉLICES PROP AND BEARING PULLER ESTRATTORE CUSCINETTI E ELICHE

Ref.
GLM90095

Extractor de cojinetes y hélices, con patas. Para todos los cojinetes Mercruiser y la mayoría de las hélices.
Prop and bearing carrier puller. Capacity: 5 Tons (Min). For Mercruiser All Style Bearing Carrier and Most Props.
Estrattore cuscinetti e eliche. Per tutti i cuscinetti Mercruiser e la maggior parte delle eliche.



Para hélices y cojinetes antiguos
For prop and old style bearing carrier.
Per eliche e cuscinetti vecchi.

Para cojinetes modernos
For new style bearing carrier.
Per cuscinetti moderni.

LLAVE DINAMOMÉTRICA TORQUE WRENCH CHIAVE DINAMOMETRICA

Ref.
CRA944595

Con escala en 20 - 150 pies/libras y 33.9 - 210 N.m
Incrementos cada 1 pie/libra y 1,4 N.m
Dado de conexión: 1/2"
Dimensiones 518 x 35 x 40 mm
Scale in 20-150 ft-lbs. 33.9 - 210 N.m
Increases each 1 ft-lbs. & 1,4 N.m
1/2" drive.
Dimensions: 518 x 35 x 40 mm
Con scala da 20 - 150 piedi/libra e 33.9 - 210 N.m
Incremento di 1 pie / libra e 1,4 N.m
Dado attacco: 1/2"
Dimensione 518 x 35 x 40 mm.



KIT LLAVE HÉLICE PROP WRENCH KIT KIT CHIAVE ELICHA

Ref. RO / OEM
GLM90065 MC 91-859046Q4
HONDA 89-89206-ZW7-000AH



Para Mercury, Mariner, Force V4 y V6 y todos los Mercruiser - Honda BF75-BF130
Mercury, Mariner, Force V4 & V6 and all Mercruiser. Honda BF75-BF130
Per Mercury, Mariner, Force V4 e V6 e tutti i Mercruiser - Honda BF75-BF130

ACCES.

RECAMBIOS
MARINOS s.l.

KIT ALARGADOR CABLE BUJÍAS EXTENSION WIRES KIT PROLUNGA CAVI CANDELE

Ref.	Largo Length Lunghezza	Alargadores Extensions wires Cavi
REC5119902	18 cm / 7 inches	4
REC5119903	60 cm / 24 inches	4

RECMAR



REC5119902



REC5119903

CHISPÓMETRO SPARK GAP TESTER SCINTILLOMETRO

Ref.	Cilindros / Cylinders / Cilindri
REC5119766	8
REC004	1

RECMAR



REC5119766



REC004

Se puede comprobar la chispa con el motor en funcionamiento.
Good for checking spark on running engine.
Si può provare la scintilla con il motore in funzione.

LLAVE FRENO VOLANTE FLYWHEEL HOLDER CHIAVE FRENO VOLANTE

Ref.
REC5515100

RECMAR

Para fuerabordas.
For outboards.
Per fuoribordo.



PULIDORA ENGINE CYLINDER HONE PULITRICE CILINDRI

Ref.	Pulidora / Hone / Pulitrice
CRA904633	Pulidora / Hone / Pulitrice
CRA946331	Kit recambio / Kit spare / Kit ricambio

Para pulir los cilindros de los bloques.
Garantizada de por vida.
Quickly removes the glaze from engine cylinder walls before installing new piston rings. Lifetime warranty.
Per pulire i cilindri dei blocchi. Garantita a vita.



CRA946331



CRA904633

PIEDRAS PULIDORA
Kit de 3 piedras para recambio de la pulidora.
ENGINE CYLINDER HONE
3 pieces spare part for Hone.
KIT SPAZZOLE
Kit da 3 spazzole di ricambio per la pulitrice.

FONENDOSCOPIO SPARK GAP TESTER FONENDOSCOPIO

Ref.
REC91-00003

RECMAR

Instrumento de precisión, resistente a golpes, detecta fácilmente ruidos en motores, cojinetes y otras partes móviles. Incluye varilla de test, trompeta y auriculares.

Sensitive, shockproof instrument, easily locates noises in engines bearings and other moving parts. Includes aluminium alloy probe/needle, surgical PVC, rubber trumpet and plastic earphones.

Strumento di precisione, resistente a colpi, rileva facilmente rumori nel motore, nei cuscinetti e altre parti mobili. Include la tromba e gli auricolari.



INTERRUPTOR ARRANQUE REMOTE STARTER INTERRUTTORE AVVIAMENTO

Ref.
CRA902175



HERRAMIENTA AROS-PISTONES RING COMPRESSOR KIT KIT FASCE-PISTONI

Ref.
SSP4213

Kit herramientas para la instalación de aros y pistones. Incluye 6 bandas de 7 a 11 cm.
Ring compressor kit for pistons. Includes 6 band 2-7/8" - 4-3/8"

Kit per montare le fasce dei pistoni. Include 6 bande da 7 a 11 cm.



HERRAMIENTA INSTALACIÓN RING COMPRESSOR ATTREZZO FASCE PISTONI

Ref.	Para aros y pistones de hasta Ring compressor pistons Per fasce e pistoni fino a
SSP4206	127 mm Ø / 2-1/8" - 5" Ø
SSP4207	178 mm Ø / 3-1/2" - 7" Ø



HERRAMIENTA VÁLVULA VALVE SPRING COMPRESSOR ATTREZZO VALVOLE

Ref.
SSP4265

Herramienta para el montaje y desmontaje de válvulas. Incluye tres juegos de mordazas.
Manual valve spring compressor. Universal.
Includes 3 jaw sets.
Attrezzo per montare e smontare le valvole.
Include 3 kit per misure differenti.



JUEGO DE LLAVES MECHANICAL TOOL SET CASSETTA ATTREZZI

Ref.
CRA935154



154 llaves en métrico y en pulgadas para un completo trabajo en motores.
Garantía de por vida.
154 pcs. Mechanics tool set in metric & inches. Lifetime warranty.
154 chiavi metriche e in pollici per un lavoro completo nel motore. Garantiata a vita.

PISTOLA PUESTA A PUNTO TIMING LIGHT PISTOLA MESSA A PUNTO

Ref.
CRA921023



Con regulador de avance.
0-60 advance scale.
Con regolatore avanzamento.

VACUÓMETRO DOBLE FUNCIÓN PRESSURE / VACUUM TESTER VACUOMETRO DOPPIA FUNZIONE

Ref.
REC55134

RECMAR

Presión y vacío. Ideal para comprobar las colas.
Combination unit that does pressure and vacuum testing in one units, recommended to test drives.
Pressione e sottovuoto. Ideale per il controllo dei piedi.



KIT GALGAS ROSCA TOOL TRI-GAGE KIT MISURAZIONE FILI

Ref.

	Tipo de rosca / Type of thread Tipo di passo
GS41415	AMERICANA = 8 a / to 28
GS41416	MÉTRICA = 0.75 a / to 3.0'

GOLDENSHIP

Kit de galgas para identificar los diámetros y pasos de roscas de los tornillos.
Quickly identifies the correct thread pitches and bolt diameters.
Kit per identificare il diametro e il passo dei cavi.



COMPRESÍMETRO COMPRESSION TESTER KIT MANOMETRO

Ref.
CRA902171

Para motores gasolina con bases GM o Ford.
For gas engines with GM or Ford base.
Per motori benzina con base GM e Ford.



TERMÓMETRO MULTIFUNCIÓN INFRARED THERMOMETER TERMOMETRO MULTIFUNZIONALE

Ref.
TEC423

Termómetro multifunción digital, por rayos infrarrojos.
Emisividad fija: 0,95 Rango: -20°C + 320°C.
Lectura en grados centígrados y fahrenheit.
Precisión +/- 2%. Resolución: 1°C
Distancia óptima de medida: de 6 a 60 cm.
Retención de la última lectura. Autoapagado.
Multifunction digital infrared thermometer.
Fixed emissivity: 0.95 range: -20 °C 320 °C.
Reading in Celsius and Fahrenheit.
Precision +/-2%. Resolution: 1°C
Distancia optimal measurement: 6 to 60 cm.
Retention of the last reading. Auto Off function.
Termometro multifunzione digitale, a infrarossi.
Misurazione: 0,95 Rango: -20°C + 320°C.
Lettura in gradi centigradi e fahrenheit.
Precisione +/- 2%. Risoluzione: 1°C
Distanza ottimale di misurazione: da 6 a 60 cm.
Memoria dell'ultima lettura. Autospegnimento.



ACCES.

RECAMBIOS
MARINOS S.L.

MULTITESTER DIGITAL DIGITAL MULTITESTER MULTITESTER DIGITALE

Ref.
TEC145

Multímetro ecológico autorango con símbolos de función en pantalla, energía mediante generador manual incorporado, también puede funcionar con batería. Incorpora manivela plegable para cargar el multímetro, 20 segundos de manivela generan suficiente carga para trabajar 10 min (sin batería). Equipo recomendado para mantenimiento, sector náutico (barcos).

Multímetro digital de 3 5/6 dígit. (6000)
Medidas de tensión CC / CA
Medidas de corriente CC / CA
Medidas de resistencia / continuidad
Medidas de capacidades / frecuencias
Medidas / Prueba de diodos
Detecta tensión AC o DC automáticamente
Retención de lectura Hold
Selección de rango: auto y manual
Función de autoapagado (3min)
Pantalla grande 46x45mm

Ecological autoranging multimeter with function panel on screen, hand power generator, it can also run on battery. Includes folding crank to charge the meter, 20-second crank generate enough charge to work 10 min (without battery). Recommended equipment for maintenance, nautical sector (boats).

Digital Multimeter 3 5/6 Digit. (6000)
Measures voltage DC / AC
Measures DC / AC current
Measures resistance / continuity
Measures capacity / frequency
Measures / Diode Test
Detects AC or DC voltage automatically
Hold reading retention
Range Selection: auto and manual
Auto Off function (3min)
Large display 46x45mm

Multítester ecologico con símbolos di funzione nello schermo, energia mediante generatore manuale incorporato, funziona anche con batteria. Manovella piegabile incorporata, per ricaricare il multítester, 20 secondi di manovella. In genere per lavorare è sufficiente caricarlo per 10 minuti senza batteria. Strumento raccomandato per utilizzo nel settore nautico (barche).

Multítester digitale 3 5/6 dígit. (6000)
Misure di tensione CC / CA
Misure di corrente CC / CA
Misure di resistenza / continuità
Misure di capacità / frequenza
Misure / Prova di diodi
Rileva la tensione AC o DC automaticamente
Ritenzione di lettura Hold
Selezione di gamma: auto e manuale
Accensione automatica (3min)
Display grande 46x45mm



VACUÓMETRO SINCRONIZADOR VACUUMMATE ALLWEATHER VACUOMETRO

Ref.
TCMVRM5

Vacuómetro, sincronizador de admisión, analizador dinámico de fugas y tacómetro. Impermeable e insumergible con una funda especial. Posee mayor estabilidad que los indicadores analógicos o que cualquier otro sistema. Se autorregula a los cambios de presión barométrica. Alimentación con corriente continua de 12 V, se puede utilizar con cualquier batería de embarcación o vehículo o con un adaptador de entrada a la red (230V/12V). Indicadores LED de batería descargada y de alimentación no adecuada. Contiene: Cable y pinzas por alimentación 12V, tubos de santoprene de conexión, 2 juegos de adaptadores flexi-rígidos, caja de almacenaje.

Vacuumate allweather, 4 x carb/throttle valve. Shock resistant composite-moulded polyurethane and polycarbonate casing for maximum strength and resilience. Self-calibrates for barometric changes. Solid state sensors are drop proof. It has internal rechargeable 1,5Ah 7,2V NiMH batteries providing up to 6 hours autonomy. Battery power is conserved by auto-switch-off 5 minutes after last being used and LEDs use full power only when measurements are taken. Kit includes custom travel case, battery cord-set, T-connector & 2 full sets of unique flexi-rigid.

Vacuometro, sincronizzatore d'aspirazione, analizzatore dinamico di fughe e tachimetro. Impermeabile e immergibile con una custodia speciale. Possiede maggiore sensibilità degli indicatori analogici o con altri sistemi. Si autoregola al cambio di pressione barometrica. Alimentazione con corrente continua da 12 V, si può utilizzare con qualsiasi batteria per imbarcazioni, veicoli e con un adattatore di entrata da 230V/12V. Indicatore LED di batteria scarica e di alimentazione non corretta. Contiene: Cavi e pinze per alimentazione 12V, tubi di santoprene di connessione, 2 adattatori flexi-rígidi, scatola per conservare l'attrezzo.



PINZA AMPERIMÉTRICA AMPERIC NIPPER PINZA AMPEROMETRICA

Ref.
TEC218

Tenaza autorango y multifunción para AC y DC.

Diámetro maxilar: 30 mm
Display de 3 3/4 dígitos. Máx. 3999.
Puede realizar medidas en:
Corriente AC/DC: 40A/400A
Precisión: +/- (1,9% + 5 d. en AC)
Precisión: +/- (2,5% + 10 d. en DC)
Ancho de banda: 50Hz - 500Hz (AC)
Resolución: AC/DC 10mA. 100mV.
Resistencia: 400 Ohms.

Iron autoranging and multifunction for AC and DC.

Jaw diameter: 30 mm
Display of 3 3/4 digit. Max. 3999.
Measurements in: AC/DC current: 40A/400A
Precision: +/- (1,9% + 5 d. en AC)
Precision: +/- (2,5% + 10 d. en DC)
Bandwidth: 50 Hz - 500 Hz (AC)
Resolution: AC/DC 10mA. 100mV.
Resistance: 400 Ohms.

Pinza multifunción per AC e DC.

Diámetro max: 30 mm.
Display da 3 3/4 dígitale. Máx. 3999.
Può realizzare misurazioni in:
Corrente AC/DC: 40A/400A.
Precisione: +/- (1,9% + 5 d. en AC)
Precisione: +/- (2,5% + 10 d. en DC)
Banda larga: 50Hz - 500Hz (AC)
Risoluzione: AC/DC 10mA. 100mV.
Resistenza: 400 Ohms.



BUJÍAS / SPARK PLUGS / CANDELE



CHAMPION

Ref.	R.O. / OEM
CHACJ14	CHAMPION CJ14
CHAD16	CHAMPION D16
CHAJ6C	CHAMPION J6C
CHAJ8C	CHAMPION J8C
CHAL76V	CHAMPION L76V
CHAL77JC4	CHAMPION L77JC4
CHAL78C	CHAMPION L78C
CHAL78V	CHAMPION L78V
CHAL78YC	CHAMPION L78YC
CHAL78YC6	CHAMPION L78YC6
CHAL82C	CHAMPION L82C
CHAL82YC	CHAMPION L82YC
CHAL82YCC	CHAMPION L82YCC
CHAL86C	CHAMPION L86C
CHAL87YCC	CHAMPION L87YCC
CHAL90C	CHAMPION L90C
CHAN2C	CHAMPION N2C
CHAN3C	CHAMPION N3C
CHAN4C	CHAMPION N4C
CHANGYCC	CHAMPION N6YCC
CHAP10Y	CHAMPION P10Y
CHAP8Y	CHAMPION P8Y
CHAQC10PEPB	CHAMPIONQC10PEPB
CHAQC10WEP	CHAMPIONQC10WEP
CHAQL16V	CHAMPION QL16V
CHAQL6VC	CHAMPION QL6VC
CHAQL77CC	CHAMPION QL77CC
CHAQL77JC4	CHAMPION QL77JC4
CHAQL78C	CHAMPION QL78C
CHAQL78YC	CHAMPION QL78YC
CHAQL78YC6	CHAMPION QL78YC6
CHAQL82C	CHAMPION QL82C
CHAQL82YC	CHAMPION QL82YC
CHAQL86C	CHAMPION QL86C
CHAQL87YC	CHAMPION QL87YC
CHARA6HC	CHAMPION RA6HC
CHARA8HC	CHAMPION RA8HC
CHARC12YC	CHAMPION RC12YC
CHARC9MC4	CHAMPION RC9MC4
CHARC9YC	CHAMPION RC9YC
CHARC9YC4	CHAMPION RC9YC4
CHARD16	CHAMPION RD16
CHARJ12YC	CHAMPION RJ12YC
CHARJ14YC	CHAMPION RJ14YC
CHARJ8C	CHAMPION RJ8C
CHARL82C	CHAMPION RL82C
CHARL82YC	CHAMPION RL82YC
CHARL86C	CHAMPION RL86C
CHARN11YC4	CHAMPION RN11YC4
CHARN2C	CHAMPION RN2C
CHARN3C	CHAMPION RN3C
CHARN4C	CHAMPION RN4C
CHARN4YC	CHAMPION RN4YC
CHARN5C	CHAMPION RN5C
CHARN6YC	CHAMPION RN6YC
CHARN7YC	CHAMPION RN7YC
CHARN9YC	CHAMPION RN9YC
CHARS12PYP	CHAMPION RS12PYP
CHARS12YC	CHAMPION RS12YC 3.OLX
CHARS15LYC	CHAMPION RS15LYC
CHARS9YC	CHAMPION RS9YC
CHARV12YC	CHAMPION RV12YC
CHARV15YC4	CHAMPION RV15YC4
CHARV8C	CHAMPION RV8C
CHARV9IMC	CHAMPION RV9IMC
CHARV9YC	CHAMPION RV9YC
CHAUL77V	CHAMPION UL77V
CHAUL81C	CHAMPION UL81C
CHAV63C	CHAMPION V63C
CHAXC12PEPB	CHAMPION XC12PEPB
CHAZ9Y	CHAMPION Z9Y



NGK

Ref.	R.O. / OEM
NGKB10ES	NGK B10ES
NGKB5HS	NGK B5HS
NGKB6HS	NGK B6HS
NGKB6HS-10	NGK B6HS-10
NGKB7ES	NGK B7ES
NGKB7HS	NGK B7HS
NGKB7HS-10	NGK B7HS-10
NGKB8ES	NGK B8ES
NGKB8HS	NGK B8HS
NGKB8HS-10	NGK B8HS-10
NGKB9ES	NGK B9ES
NGKB9HS	NGK B9HS
NGKB9HS-10	NGK B9HS-10
NGKBKR5ES	NGK BKR5ES
NGKBKR6E	NGK BKR6E
NGKBKR6EKU	NGK BKR6EKU
NGKBKR6ES-11	NGK BKR6ES-11
NGKBKR7EKU	NGK BKR7EKU
NGKBMR4A	NGK BMR4A
NGKBP5EA-L	NGK BP5EA-L
NGKBP5HS	NGK BP5HS
NGKBP6ES	NGK BP6ES
NGKBP6HS	NGK BP6HS
NGKBP7ES	NGK BP7ES
NGKBP7HS	NGK BP7HS
NGKBP7HS-10	NGK BP7HS-10
NGKBP8HN-10	NGK BP8HN-10
NGKBP8HS-10	NGK BP8HS-10
NGKBP8HS-15	NGK BP8HS-15
NGKBPR5ES	NGK BPR5ES
NGKBPR5HS	NGK BPR5HS
NGKBPR6EFS	NGK BPR6EFS
NGKBPR6EIX	NGK BPR6EIX
NGKBPR6ES	NGK BPR6ES
NGKBPR6ES-11	NGK BPR6ES-11
NGKBPR6FS	NGK BPR6FS
NGKBPR6HS	NGK BPR6HS
NGKBPR6HS-10	NGK BPR6HS-10
NGKBPR7EIX	NGK BPR7EIX
NGKBPR7ES	NGK BPR7ES
NGKBPR7ES-11	NGK BPR7ES-11
NGKBPR7HS	NGK BPR7HS
NGKBPR7HS-10	NGK BPR7HS-10
NGKBPR8ES	NGK BPR8ES
NGKBPZ8HN-10	NGK BPZ8HN-10
NGKBPZ8HS-10	NGK BPZ8HS-10
NGKBR10ES	NGK BR10ES
NGKBR4HS	NGK BR4HS
NGKBR5HS	NGK BR5HS
NGKBR6EF	NGK BR6EF
NGKBR6ES	NGK BR6ES
NGKBR6FIX	NGK BR6FIX
NGKBR6FS	NGK BR6FS
NGKBR6FVX	NGK BR6FVX
NGKBR6HS	NGK BR6HS
NGKBR6HS-10	NGK BR6HS-10
NGKBR6S	NGK BR6S
NGKBR7ES	NGK BR7ES
NGKBR7HS	NGK BR7HS
NGKBR7HS-10	NGK BR7HS-10
NGKBR8ES	NGK BR8ES
NGKBR8ES-11	NGK BR8ES-11
NGKBR8HCS-10	NGK BR8HCS-10
NGKBR8HIX	NGK BR8HIX
NGKBR8HS	NGK BR8HS
NGKBR8HS-10	NGK BR8HS-10
NGKBR9ES	NGK BR9ES
NGKBR9HS	NGK BR9HS
NGKBR9HS-10	NGK BR9HS-10
NGKBU8H	NGK BU8H
NGKBUE	NGK BUE

Ref.	R.O. / OEM
NGKBUHW	NGK BUHW
NGKBUHW-2	NGK BUHW-2
NGKBUHX	NGK BUHX
NGKBUHXW-1	NGK BUHXW-1
NGKBUZ8H	NGK BUZ8H
NGKBUZHW	NGK BUZHW
NGKBUZHW-2	NGK BUZHW-2
NGKBZ7HS-10	NGK BZ7HS-10
NGKCR4HSB	NGK CR4HSB
NGKCR5EH-9	NGK CR5EH-9
NGKCR5HSB	NGK CR5HSB
NGKCR6E	NGK CR6E
NGKCR6HS	NGK CR6HS
NGKCR9EB	NGK CE9EB
NGKCR9EH-9	NGK CR9EH-9
NGKD6HA	NGK D6HA
NGKDCPR6E	NGK DCPR6E
NGKDCPR6EIX	NGK DCPR6EIX
NGKDCPR7E	NGK DCPR7E
NGKDPR5EA-9	NGK DPR5EA-9
NGKDPR6EA-9	NGK DPR6EA-9
NGKDPR6EB-9	NGK DPR6EB-9
NGKDPR7EA-9	NGK DPR7EA-9
NGKDPR8EA-9	NGK DPR8EA-9
NGKDR4HS	NGK DR4HS
NGKDR5HS	NGK DR5HS
NGKDR6HS	NGK DR6HS
NGKDR7EA	NGK DR7EA
NGKDR7EB	NGK DR7EB
NGKILFR6G	NGK ILFR6G
NGKITR4A15	NGK ITR4A15
NGKIZFR5G	NGK IZFR5G
NGKIZFR5J	NGK IZFR5J
NGKIZFR6F-11	NGK IZFR6F-11
NGKIZFR6K11	NGK IZFR6K11
NGKIZFR6K-11S	NGK IZFR6K-11S
NGKIZFR6N-E	NGK IZFR6N-E
NGKIZFR7M	NGK IZFR7M
NGKILFR5A-11	NGK LFR5A-11
NGKILFR6A-11	NGK LFR6A-11
NGKPR6EA-9	NGK PR6EA-9
NGKPZFR5F	NGK PZFR5F
NGKPZFR5F-11	NGK PZFR5F-11
NGKPZFR6H	NGK PZFR6H
NGKPZTR5A-15	NGK PZTR5A-15
NGKTR5	NGK TR5
NGKTR55	NGK TR55
NGKTR55IX	NGK TR55IX
NGKTR5IX	NGK TR5IX IRIDIO
NGKTR6IX	NGK TR6IX IRIDIO
NGKUR4	NGK UR4
NGKUR4IX	NGK UR4IX
NGKUR5	NGK UR5
NGKUR6	NGK UR6
NGKUR6IX	NGK UR6IX IRIDIO
NGKXR5	NGK XR5
NGKYR5	NGK YR5
NGKYR5IX	NGK YR5IX IRIDIO
NGKZFR6F-11	NGK ZFR6F-11
NGKZFR7F	NGK ZFR7F
NGKZFR7F-11	NGK ZFR7F-11

ACCES.

RECAMBIOS
MARINOS S.L.

INTERRUPTORES CUT OFF SWITCHES INTERRUTORI

INTERRUPTOR DE PARO STOP SWITCH INTERRUTTORE DI STOP

Ref.	Características / Features / Caratteristiche	Envase / Pack / Qnt
THKS-1	Un fueraborda / Single outboard / Un fuorbordo	1 x blister
THKS-2	Un intraborda / Single I/O / Un entrobordo	1 x blister
THKS-12	Dos fuerabordas / Dual outboard / Due fuorbordo	1 x blister
THKS-22	Dos intrabordas / Dual I/O / Due entrobordo	1 x blister
THL-4	Cuerda recambio / Spare lanyard / Corda ricambio	1 x blister

Interruptor de encendido para motores. Aísla los circuitos en unidades dobles para prevenir el retorno al alternador. Emergency and stop switch. Isolates circuits on dual units to prevent feedback. Interruttore di accensione per motori. Isola i circuiti in doppie unità per prevenire il ritorno all'alternatore.



DESCONECTADOR DE SEGURIDAD IGNITION KILL SWITCH INTERRUTTORE DI SICUREZZA

Ref.	R.O. OEM	Motor Engine Motori	Envase Pack Qnt
REC87-823609A17	87-823609A17	fueraborda Mercury/Mariner outboard Mercury/Mariner fuorbordo Mercury/Mariner	1 x blister
REC37800-9354	37800-9354 37800-9353	fueraborda Suzuki outboard Suzuki fuorbordo Suzuki	1 x blister



REC87-823609A17



REC37800-9354

Ref.	Características Features Caratteristiche	Envase Pack Qnt
REC40970	Conjunto completo / Complete kit / Kit completo	1 x blister
REC40990	Cuerda tirador recambio / Spare / Corda tirante ricambio	1 x blister
GS11290	Conjunto completo / Complete kit / Kit completo	1 x blister
GS11291	Cuerda tirador recambio / Spare / Corda tirante ricambio	1 x blister
GS11292		1 x blister

Interruptor de encendido para todo tipo de motores fueraborda o intraborda. Emergency and stop switch for inboard or outboards. Interruttore di accensione per tutti i tipi di motori entrobordo e fuorbordo.



REC40970- REC40990



GS11290 - GS11291



GS11292

Ref.	R.O. OEM	Motor Engine Motori	Envase Pack Qnt
REC37830-89E03	37830-95000	fueraborda Suzuki outboard Suzuki fuorbordo Suzuki	1 x blister
REC37820-92E03	37820-92E00	fueraborda Suzuki outboard Suzuki fuorbordo Suzuki	1 x blister
REC69W-82575-00	69W-82575-00	fueraborda Yamaha/Mariner outboard Yamaha/Mariner fuorbordo Yamaha/Mariner	1 x blister
REC688-82575-01	688-82575-01	fueraborda Yamaha/Mariner outboard Yamaha/Mariner fuorbordo Yamaha/Mariner	1 x blister
REC369-0682-0	369-0682-0	fueraborda Tohatsu outboard Tohatsu fuorbordo Tohatsu	1 x blister



REC37830-89E03



REC37820-92E03



REC69W-82575-00



REC688-82575-01



REC369-0682-0

KIT LLAVES KILL SWITCH KEYS KIT CHIAVI

Ref.	Envase Pack Qnt
GS11294	1 x blister

GOLDENSHIP

Kit de 8 llaves de recambio para:
Kit of 8 spare keys for:
Kit da 8 chiavi di ricambio per:
J/E - OMC - Mercury - Yamaha -
Honda -Suzuki - Tohatsu.



LLAVES DE ARRANQUE IGNITION STARTER SWITCHES CHIAVE DI AVVIAMENTO

Ref.	R.O. OEM	Terminales Terminals Terminali	Posiciones Positions Posizione	Envase Pack Qnt
MP39200		3	3	1 x blister
MP39760	393301, 508180	5 + 1	3	1 x blister
MP41070	MC 87-17009A2, 87-17009A5	6	3	1 x blister
MP41000	MC 87-88107	6	3	1 x blister
MP41030		3	3	1 x blister

MP39760

Llave de arranque de 3 posiciones con retroceso, Off-Contacto-Arranque (Choke). Fabricada en poliester anticorrosión.

3 positions, Off-Run-Start. 5+1 screws. Magneto.

Chiave di avviamento a 3 posizioni con ritorno: Off-Contatto-Avviamento. In poliestere anticorrosione.



MP39200

Llave de arranque de 3 posiciones con retroceso, Off-Contacto-Arranque. Fabricada en poliéster anticorrosión. Para montaje en paneles hasta 28 mm. Montadas por Chaparral, Baja, Celebrity, Four Winns, Larson, Rinker, Wellcraft, ChrisCraft.

3 positions, Off-Run-Start. 3 screws. Conventional
Chiave di avviamento a 3 posizioni con ritorno: Off-Contatto-Avviamiento. In poliester anticorrosione. Da montare in pannelli fino a 28 mm. Montato da Chaparral, Baja, Celebrity, Four Winns, Larson, Rinker, Wellcraft, ChrisCraft.



MP41070

Llave de arranque de 3 posiciones con retroceso, Off-Contacto-Arranque (Choke). Fabricada en poliéster anticorrosión. Terminales: 6 cables. Para fuerabordas Mercury y Mariner.

3 positions, Off-Run-Start. 6 Wires. Magneto
Chiave di avviamento a 3 posizioni con ritorno: Off-Contatto-Avviamiento. In poliester anticorrosione. Terminali: 6 cavi. Per fuoribordo Mercury e Mariner.



MP41000

Llave de arranque de 3 posiciones con retroceso, Off-Contacto-Arranque (Choke). Fabricada en poliéster anticorrosión. Terminales: 6 tornillo. Para fuerabordas Mercury y Mariner.

3 positions, Off-Run-Start. 6 screws. Magneto.
Chiave di avviamento a 3 posizioni con ritorno: Off-Contatto-Avviamiento. In poliester anticorrosione. Terminali: 6 viti. Per fuoribordo Mercury e Mariner.



MP41030

Llave de arranque de 3 posiciones con retroceso, Off-Contacto-Arranque. Fabricada en poliéster anticorrosión. Para montaje en paneles hasta 15 mm. Montadas por Bayliner y SeaRay desde el año 1990.

3 positions, Off-Run-Start. 3 screws. Conventional.
Chiave di avviamento a 3 posizioni con ritorno: Off-Contatto-Avviamiento. In poliester anticorrosione. Da montare in pannelli fino a 15 mm. Montato da Bayliner e SeaRay dall'anno 1990.



Ref.	Paneles Panels Pannelli	Terminales Terminals Terminali	Posiciones Positions Posizione	Envase Pack Qt
GS11150	28 mm	3, 15A 12V	3	1 x blister
GS11151		3	3	1 x blister
GS11152		3	3	1 x blister
GS11153		5	3	1 x blister
GS11154		4	3	1 x blister
GS11155	15 mm = 5/8"	7	4	1 x blister
GS11156	6 mm = 1/4"	7	4	1 x blister
GS11157	6 mm = 1/4"	6	3	1 x blister
GS11158	15 mm = 5/8"	6	3	1 x blister
GS11159		6	3	1 x blister

GS11150

Llave de arranque de 3 posiciones con retroceso, Off-Contacto-Arranque. Fabricada en latón con frontal cromado. Para montaje en paneles hasta 28 mm. Chrome plated brass face nut and brass back-up nut. Fits panels up to 28 mm. 3 positions with return, Off-Ignition-Start.
Chiave di avviamento a 3 posizioni con ritorno Off-Contatto-Avviamiento. In ottone con frontale cromato. Da montare in pannelli fino a 28 mm.



GS11151

Fabricada en latón con frontal protector de goma. 3 posiciones con retroceso, Off-Contacto-Arranque.
Made in brass with rubber cap protector. 3 positions with return, Off-Ignition-Start.
Prodotta in ottone con parte frontale in gomma, 3 posizioni con ritorno, Off-Contatto-Avviamiento.



GS11152

Fabricada en plástico con frontal protector de goma. 3 posiciones con retroceso, Off-Contacto-Arranque.
Made in plastic with rubber cap protector. 3 positions with return, Off-Ignition-Start.
Prodotta in plastica con parte frontale in gomma 3 posizioni con ritorno, Off-Contatto-Avviamiento.



GS11153

Fabricada en plástico con frontal protector de goma. 3 posiciones con retroceso, Off-Contacto-Arranque.
Made in plastic with rubber cap protector. 3 positions with return, Off-Ignition-Start.
Prodotta in plastica con parte frontale in gomma 3 posizioni con ritorno, Off-Contatto-Avviamiento.



GS11154

Fabricada en latón con frontal protector de goma. 3 posiciones con retroceso, Off-Contacto-Arranque.
Made in brass with rubber cap protector. 3 positions with return, Off-Ignition-Start.
Prodotta in ottone con parte frontale in gomma. 3 posizioni con ritorno, Off-Contatto-Avviamiento.



GS11155

Fabricada en plástico. 4 posiciones con retroceso, Accesorios-Off-Contacto-Arranque.
Made in plastic with rubber cap protector. 4 positions with return, Acc-Off-Ignition-Start.
Prodotta in plastica. 4 posizioni con ritorno, Blower-Off-Contatto-Avviamiento.



GS11156

Fabricada en plástico. 4 posiciones con retroceso, Accesorios-Off-Contacto-Arranque.
Made in plastic with rubber cap protector. 4 positions with return, Acc-Off-Ignition-Start.
Prodotta in plastica. 4 posizioni con ritorno, Blower-Off-Contatto-Avviamiento.



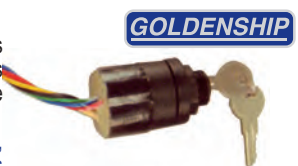
GS11157

Fabricada en plástico. 6 terminales. 3 posiciones con retroceso, Off-Contacto-Arranque (Starter).
Made in plastic. 3 positions with return, Off-Ignition-Start (Choke). 6 terminals.
Prodotta in plastica. 6 terminali 3 posizioni con ritorno, Off-Contatto-Avviamiento(Starter).



GS11159

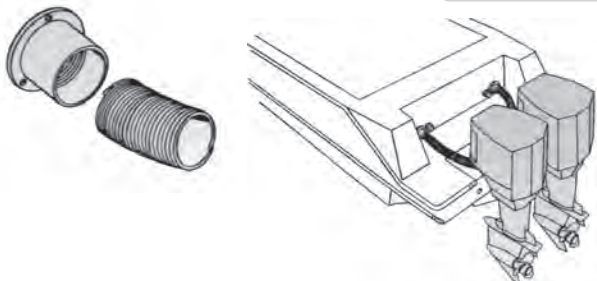
Fabricada en plástico. 6 terminales con cables incluidos. 3 posiciones con retroceso, Off-Contacto-Arranque (Starter).
Made in plastic. 3 positions with return, Off-Ignition-Start (Choke). 6 terminals with wires included.
Prodotta in plastica. 6 terminali con cavi inclusi. 3 posizioni con ritorno, Off-Contatto-Avviamiento (Starter).



ACCESORIOS DIRECCIÓN STEERING ACCESSORIES ACCESSORI DIREZIONE

MANGUERA DE PROTECCIÓN PROTECTIVE CABLE SYSTEM TUBO DI PROTEZIONE

GOLDENSHIP



Ref.	Ø 50 mm	Envase Pack Qnt
GS41164	Kit completo 80 cm. Complet kit 80 cm lenght. Kit completo 80 cm	1 x bolsa 1 x bag 1 x borsa
GS41160	Terminal casco Hull end fitting Fine raccordo	1 x blister 1 x skinpack 1 x blister
GS41161	Manguera 15 m Hose 15 m lenght Tubo da 15 m	15m x caja 15 m x box 15m x cassa
GS41162	Terminal motor Engine end fitting Fine motore	1 x blister 1 x skinpack 1 x blister



Ref.	Ø 32 mm	Envase Pack Qnt
GS41165	Kit completo 80 cm. Complet kit 80 cm lenght. Kit completo 80 cm	1 x bolsa 1 x bag 1 x borsa
GS41166	Terminal casco Hull end fitting Fine raccordo	1 x blister 1 x skinpack 1 x blister
GS41167	Manguera 15 m Hose 15 m lenght Tubo da 15 m	15m x caja 15 m x box 15m x cassa
GS41168	Terminal motor Engine end fitting Fine motore	1 x blister 1 x skinpack 1 x blister



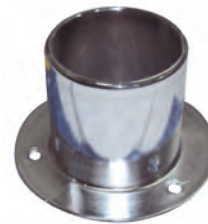
Manguera de protección para los cables de dirección, mando, etc. desde la salida del casco hasta el motor, presentando un sólo núcleo limpio y ordenado. Color gris.

This system gives a good protection to the service cables of outboard engines against dirt and corrosion. Available in two diameters, complete with fittings in black colour. Hose in grey colour.

Tubo di protezione per i cavi di timoneria, comando, etc. dall'uscita del raccordo fino al motore, presentando un solo nucleo pulito e ordinato. Colore grigio.

ARO PROTECTOR RIGGING FLANGE ANELLO PROTETTORE

Ref.	Envase / Pack / Qnt
THRF-1CP	1 x bolsa / bag / borsa



Protección para los cables de control y dirección. Fabricado en plástico cromado. Finishes and protects pass thru hole for wires and cables. Chrome plated plastic. Protettore per cavi di timoneria e comando. Prodotto in plastica cromata.

TERMINALES PROTECTORES RIGGING FLANGES TERMINALE PROTETTORE

Ref.	Color / Color / Colore
THRFHU-1	Manguera / Hose / Tubo Negro / Black / Nero
THRFHU-2	Manguera / Hose / Tubo Blanco / White / Bianco
THRFFHP-1	Casco / Hull / Raccordo Negro / Black / Nero
THRFFHP-2	Casco / Hull / Raccordo Blanco / White / Bianco
THRFH-1	Manguera / Hose / Tubo 5 m Negro / Black / Nero
THRFH-2	Manguera / Hose / Tubo 5 m Blanco / White / Bianco



THRFHU-1, THRFHU-2

THRFFHP-1, THRFFHP-2



THRFH-1, THRFH-2

Terminales para las mangueras protectoras de cables, etc. Permite la instalación exterior de la bomba de gasolina.

Rigging flanges with fuel hose ports. Split design of union allows installation on pre-rigged boats.

Terminale per tubi protettori dei cavi, etc. Permette l'installazione esterna della pompa benzina.

ARO PROTECTOR CABLE BOOTS PROTETTORI ANELLI

Ref.	Color Color Colore	Para agujero For hole Per foro	Envase Pack Qnt
THCB-2	Negro / Black / Nero	2"	1 x bolsa / bag / borsa
THCB-1	Negro / Black / Nero	3"	1 x bolsa / bag / borsa
THCB-4	Negro / Black / Nero	4-1/2"	1 x bolsa / bag / borsa
THCB-2W	Blanco / White / Bianco	2"	1 x bolsa / bag / borsa
THCB-1W	Blanco / White / Bianco	3"	1 x bolsa / bag / borsa
THCB-4W	Blanco / White / Bianco	4-1/2"	1 x bolsa / bag / borsa



Protección de los cables de control y dirección. Vinilo marino resistente a los rayos U.V., gasolina y aceites. Se ajusta alrededor de los cables.

Finishes and protects pass thru hole for wires and cables. Rugged marine vinyl. Resists UVm gasoline and oil. Cable tie snugs around wires and cables.

Protezione dei cavi di controllo e timoneria. Vinile marino resistente ai raggi U.V., benzina e olio. Si posiziona alla fine dei cavi.

PROTECTOR ESPEJO PROTECTION PLATE PROTETTORE SPECCHIO

Ref.	Dimensiones / Dimensions / Dimenzioni	Envase / Pack / Qnt
GS73130	225 x 85 mm	1 x blister
GS73131	270 x 100 mm	1 x blister
GS73132	280 x 115 mm	1 x bolsa / bag / borsa
GS73133	430 x 350 mm	1 x bolsa / bag / borsa

GOLDENSHIP

Fabricada en plástico semirrígido. Color negro
Made in plastic. Black.
Prodotto in plastica semi.rigido colore nero



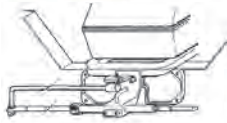
GS73130, GS73131

GOLDENSHIP

Fabricada en aluminio.
Con soporte para terminal del cable de dirección.
Aluminum transom plate complete with support and tube for steering cable.
Prodotto in alluminio. Con supporto per i terminali dei cavi di timoneria.



GS73132



GS73133

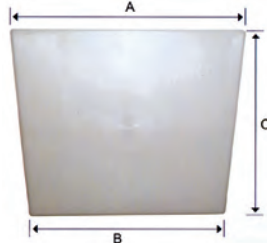
GOLDENSHIP

Fabricada en plástico semirrígido. Color gris
Made in plastic. Grey.
Prodotto in plastica semi-rigido colore grigio.

Ref.	Dimensiones / Dimensions / Dimenzioni				Envase / Pack / Qnt
	A	B	C	D	
OCE100133	390 mm	350 mm	330 mm	8 mm	1 x caja / box / cassa
OCE100134	390 mm	350 mm	330 mm	15 mm	1 x caja / box / cassa

D = Grueso / Thickness

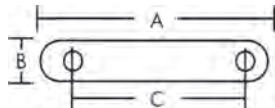
Fabricada en polipropileno resistente a los rayos UV. Disponible en dos gruesos. Color blanco.
Made in solid UV resistant polypropilene. Available in two thicknesses. Colour white.
Prodotto in polipropilene resistente ai raggi UV. Disponibile in due spessori. Colore bianco.



OCEAN SOUTH

CONTRAPLACA TRANSOM TRANSOM SUPPORT PLATE PIASTRA RINFORZO TRANSOM

Ref.	Para tornillos / for bolts / Per viti	A	B	C
THTSP-1	Superiores / Top bolts / Superiori	15"	2"	13"
THTSP-2	Inferiores / Lower bolts / Inferiori	12"	2"	10"



Repara el esfuerzo de los tornillos de sujeción del motor. Fabricado en aluminio de alta calidad, de 10mm de espesor.
Distributes stress of engine bolts. Manufactured in high quality cast aluminum. All plates 3/8".
Ripartisce la spinta delle viti del fissaggio del motore. Prodotto con alluminio di alta qualità, 10mm di spessore.



KIT CONEXION AUXILIAR AUXILIAR MOTOR STEERING KIT CONNESSIONE AUSILIARIA

Ref.	Envase / Pack / Qnt
P552600	1 x blister



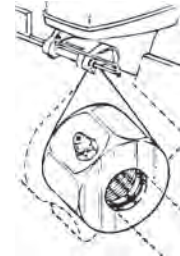
Kit de acoplamiento de dirección del motor auxiliar al sistema de dirección principal para gobernar el fueraborda hasta 25 hp, desde el puesto principal.

An auxiliary motor steering kit to provide remote control steering for any type or size of outboard trolling motor up to 25 hp.

Kit di installazione della timoneria del motore ausiliario al sistema della timoneria principale per governare il fuoribordo fino 25 hp.

TUERCA DE ENGRASE STEERING GUARD DADO LUBRIFICANTE

Ref.	Rosca / Screw / Passo	Envase / Pack / Qnt
GS41170	7/8" Fuerabordas / outboards / Fuoribordo	1 x blister
GS41171	1" Intra-fuerabordas/ I/O's / Entra-fuoribordo	1 x blister



GOLDENSHIP



Tuerca engrasadora para todos los cables de dirección. Sella el cable evitando el agua y la corrosión.

Steering guard to be installed in all cable and side mounted hydraulic steering systems to lubricate clean and seal the systems. Made of stainless steel.

Dado lubricante per tutti i cavi di timoneria. Chiude il cavo evitando l'acqua e la corrosione.

SEPARADOR TRANSOM TRANSOM SPACER DISTANZIALE TRANSOM

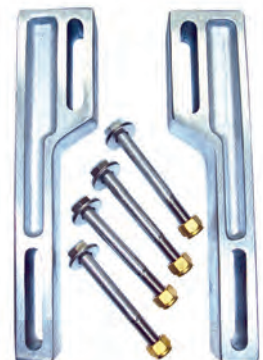
Ref.
THTS-1



Añade 5 cm de separación del transom. Fabricado en aluminio anodizado. Incluye 4 tornillos de acero inox. y tuercas de latón.

Adds 2" of setback to any jack plate. Includes four 4-1/2" stainless bolts and brass nuts.

Aggiunge 5 cm di distanza dal transom. Prodotto con alluminio anodizzato. Include 4 viti in acciaio inox e dadi in ottone.



ACCES.

RECAMBIOS MARINOS S.L.

ESTABILIZADORES HYDROFOILS STABILIZZATORI

ALETAS ESTABILIZADORAS HYDROFOIL STABILIZER ALETTE STABILIZZATRICI

Ref.	Motores / Engines / Motori
SRXPIJR	de 2,5 hasta 40 hp / from 2,5 to 40 hp / da 2,5 fino 40 hp
SRXPI	40 hp en adelante / 40 hp and up / 40 hp in poi



Aletas para acoplar a la placa de cavitación de los motores fueraborda y colas intra-fueraborda. Se obtiene el planeo en menor tiempo. Elimina la cavitación. Mejora la sustentación.

Permite mayor estabilidad y ahorro de combustible.

Gives outboards and sterndrives a performance boost. Wipes out cavitation. On plane in less time.

Saves fuel. Delivers true stabilization.

Alette da accoppiare nella parte di cavitazione dei motori fuoribordo e nei piedi degli entro-fuoribordo. Elimina la cavitazione.

Migliora la stabilità e permette la diminuzione dei consumi del carburante.

Ref.	Motores / Engines / Motori
SRSF	de 40 hasta 300 hp / from 40 to 300 hp / da 40 fino 300 hp



Aletas para acoplar a la placa de cavitación de los motores fueraborda y colas intra-fueraborda. Se obtiene el planeo en menor tiempo. Elimina la cavitación. Mejora la sustentación, Permite mayor estabilidad y ahorro de combustible. **ADEMÁS** Reduce el arrastre hidrodinámico. Mejora la velocidad máxima. Más eficiencia del combustible. Diseño de montaje **SIN AGUJEROS**.

Gives outboards and sterndrives a performance boost. Wipes out cavitation. On plane in less time. Saves fuel. Delivers true stabilization. **PLUS** Reduced hydrodynamic drag. Improved top-end speed. Better fuel efficiency. **NO-DRILL** mounting design.

Alette da accoppiare nella parte di cavitazione dei motori fuoribordo e nei piedi degli entro-fuoribordo. Elimina la cavitazione. Migliora la stabilità e permette di diminuire i consumi del carburante. **PIU'** Riduce l'attrito idrodinamico. Migliora la velocità massima. Sistema di montaggio **SENZA FORI**.

Ref.	Motores / Engines / Motori
SRXRIII JR.	de 2,5 hasta 75 hp / from 2,5 to 75 hp / da 2,5 fino 75 hp
SRXRIII	75 hp en adelante / 75 hp and up / 75 hp in poi



Aletas para acoplar a la placa de cavitación de los motores fueraborda y colas intra-fueraborda. Se obtiene el planeo en menor tiempo. Elimina la cavitación. Mejora la sustentación, Permite mayor estabilidad y ahorro de combustible.

Reduce el arrastre hidrodinámico. Mejora la velocidad máxima. Más eficiencia del combustible.

ADEMÁS:

- Diseño de montaje SIN AGUJEROS
- Perfil hidrodinámico pulido
- Empuje mejorado
- Canalización del chorro de agua

Gives outboards and sterndrives a performance boost. Wipes out cavitation. On plane in less time. Saves fuel. Delivers true stabilization. Reduced hydrodynamic drag. Improved top-end speed. Better fuel efficiency.

PLUS:

- NO-DRILL mounting design.
- Sleeker hydrodynamic profile.
- Captive Prop-Wash Resulting In
- Improved Thrust
- Fastest Hole Shot

Alette da accoppiare nella parte di cavitazione dei motori fuoribordo e nei piedi degli entro-fuoribordo. Elimina la cavitazione. Migliora la stabilità e permette la diminuzione dei consumi del carburante.

Riduce l'attrito idrodinamico. Migliora la velocità massima.

PIU'

- Sistema di fissaggio **SENZA FORI**
- Profilo idrodinamico
- Migliora la spinta
- Canalizzazione dell'acqua



POWER TRIM-LIFT

POWER LIFT

Ref.	Características / Features / Caratteristiche
CMC65001Q	Equipo con reloj indicador. Separación del espejo: 140 mm. Kit with lift gauge. Set-Back from transom: 5-1/2". Kit compreso di indicatore. Distanza dallo specchio: 140 mm.

Soporte con kit elevador vertical para motores fueraborda **hasta V6**. Fabricado en extrusión de aluminio con tornillos de acero inox. El motor electrohidráulico de 3500 kg. de empuje se encuentra dentro de un contenedor para una mayor protección. Tornillos de 3/4" de acero inoxidable, con tuercas de aleación de aluminio y bronce resistentes a los choques y corrosión.

Recorrido vertical: 125mm.

Alimentación a 12V.

Dimensiones: 460 x 420 mm.

Electric hydraulic power lift transom jack with a rated thrust of 7800 lbs. For outboards up to V6. Made of 1/2" 6061 T6 alloy aluminum extrusions and stainless steel fasteners. Totally waterproof electro-hydraulic power lift transom jack with a rated thrust of 7800 lbs.

Vertical travel: 5"

Operation: 12 V.

Dimensions: 18-1/8" x 16-1/2"

Kit supporto con elevatore verticale per motori fuoribordo fino a V6. Prodotto in alluminio e viteria in acciaio inox. Il motore elettrico-idraulico da 3500 kg. di spinta si trova all'interno di un contenitore per una maggiore protezione. Viteria da 3/4" di acciaio inossidabile, dadi in alluminio e bronzo per una maggiore resistenza agli urti e alla corrosione.

Corsa verticale: 125mm.

Alimentazione a 12V.

Dimensioni: 460 x 420 mm.



Ref.	Características / Features / Caratteristiche
CMC65201Q	Equipo con reloj indicador. Separación del espejo: 140 mm. Kit with lift gauge. Set-Back from transom: 5-1/2". Kit compreso di indicatore. Distanza dallo specchio: 140 mm.

Soporte con kit elevador vertical para motores fueraborda **hasta V8**. Guías de acero inox. y extrusión de aluminio con tornillos de acero inox. El motor electrohidráulico de 3500 kg de empuje se encuentra dentro de un contenedor para una mayor protección. Tornillos de 3/4" de acero inoxidable, con tuercas de aleación de aluminio y bronce resistentes a los choques y corrosión.

Separación del espejo: 140 mm

Recorrido vertical: 125mm

Alimentación a 12V.

Dimensiones: 460 x 394 mm

Electric hydraulic power lift transom jack with a rated thrust of 7800 lbs. For outboards **up to V8**. Made of stainless steel rails and 1/2" 6061 T6 alloy aluminum extrusions with stainless steel fasteners. Totally waterproof electro-hydraulic power lift transom jack with a rated thrust of 7800 lbs.

Set-Back from transom: 5-1/2"

Vertical travel: 5"

Operation: 12 V.

Dimensions: 18-1/8" x 15-1/2"

Supporto con kit elevatore verticale per motori fuoribordo **fino a V8**. Fabbriato in acciaio inox e alluminio con viteria in acciaio inox. Il motore elettrico-idraulico da 3500 kg. di spinta si trova all'interno di un contenitore per una maggiore protezione. Viti da 3/4" di acciaio inossidabile, e dadi in alluminio e bronzo per una maggiore resistenza agli urti e alla corrosione.

Distanza dallo specchio: 140 mm.

Corsa verticale: 125mm.

Alimentazione a 12V.

Dimensioni: 460 x 394 mm.



Ref.	Características / Features / Caratteristiche
CMC61001Q	Equipo con reloj indicador. Separación del espejo: 254 mm. Kit with lift gauge. Set-Back from transom: 10". Kit compreso di indicatore. Distanza dallo specchio: 254 mm.



Ref.	
THAHJM-4DP	



Soporte con kit elevador vertical para motores fueraborda **hasta 75 hp**. Fabricado en extrusión de aluminio con tornillos de acero inox. de 3/4". Dimensiones espejo: 37 x 30 cm.

Recorrido: 127 mm.

Alimentación a 12V.

Electric hydraulic power lift transom jack for outboards **up to 75 hp**. Made with extruded aluminum and stainless steel fasteners. Totally waterproof.

Footprint dimensions: 14-5/8" x 11-1/2"

Travel: 5"

Operation: 12 V.

Supporto con kit elevatore verticale per motori fuoribordo **fino a 75 hp**. Fabbriato in alluminio con viteria in acciaio inox da 3/4".

Dimensioni specchio: 37 x 30 cm.

Escursione: 127 mm.

Alimentazione a 12V.



ADAPTADORES BACK SPACERS ADATTATORI

Ref.	
CMC20122Q	



Par de cuñas de 2° inclinación para espejo de popa.

Pair of 2 degrees wedge for the transom.

Due cunei di 2° di inclinazione per lo specchio di poppa.

Ref.	
CMC13022Q	



Kit de adaptadores para la instalación de motores con palomillas.

Adaptors kit for motors mounted with transom clamps.

Kit di adattatori per l'installazione di motori con piastra.

POWER TRIM & TILT

Ref.	Características / Features / Caratteristiche
CMC13002Q	Equipo trim & tilt / Kit trim & tilt / Kit trim & tilt
CMC13001Q	Equipo con reloj indicador Kit with trim gauge Kit compreso di indicatore



Soporte con kit de Power Trim y Tilt para motores fueraborda hasta 130 HP. Fabricado en extrusión de aluminio con tornillos de acero inox. El motor electrohidráulico de 3500 kg de empuje se encuentra dentro de un contenedor para una mayor protección.

Recorrido: Trim = 20° Trim & Tilt = 90°
Separación del espejo: 152 mm Alimentación a 12V.

Electric hydraulic Tilt & Trim with a rated thrust of 7800 lbs. for outboards up to 130 HP. Made with extruded aluminum and stainless steel fasteners.

Travel: Trim = 20° Trim & Tilt = 90°

Set-Back from transom: 6" Operation: 12 V.

Supporto con kit di power trim per motori fuoribordo fino 130 HP. Fabricato in alluminio con viteria in acciaio inox. Il motore elettrico-idraulico da 3500 kg. di spinta si trova dentro un contenitore per una maggiore protezione.

Distanza dallo specchio: 152 mm.

Escursione: Trim = 20° Trim & Tilt = 90°

Distanza dallo specchio: 152 mm. Alimentazione a 12V.

Ref.	CMC
CMC52100D	

Soporte con kit de Power Trim y Tilt para motores fueraborda hasta 35 HP. Fabricado en extrusión de aluminio con tornillos de acero inox. El motor electrohidráulico de 3500 kg de empuje se encuentra dentro de un contenedor para una mayor protección.

Separación del espejo: 140 mm

Recorrido total: 84°

Alimentación a 12V.

Electric hydraulic Tilt & Trim with a rated thrust of 7800 lbs. for outboards up to 35 HP. Made with extruded aluminum and stainless steel fasteners.

Set-Back from transom: 5-1/2"

Total travel: 84°

Operation: 12 V.

Supporto con kit power.trim per motori uoribordo fino a 35 HP. Prodotto in alluminio con viti in acciaio inox. Il motore elettrico.idraulico da 3500 kg di spinta, si trova dentro un contenitore per una maggiore protezione.

Distanza dallo specchio: 140 mm.

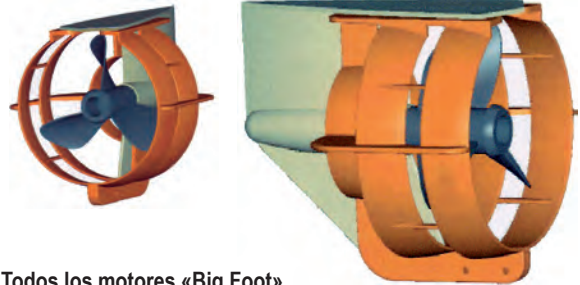
Escursione: 84°

Alimentazione a 12V.



PROTECTOR DE HÉLICES PROP GUARDS PROTETTORI ELICHE

Ref.	Para motores For engines Per motori	Color Color Colore	Ø interior Interior Ø Ø interior
GUA200407	5 - 9 hp	Negro / Black / Nero	8"
GUA077771	9,9 - 20 hp	Amarillo / Yellow / Giallo	9"
GUA011171	25 - 35 hp	Naranja / Orange / Arancio	11"
GUA313688	40 - 65 hp	Azul / Blue / Blu	13"
GUA810668	70 - 100 hp	Rojo / Red / Rosso	14"
GUA925162	110 - 230 hp	Negro / Black / Nero	16"



NOTA: Todos los motores «Big Foot» y alto empuje requieren la referencia siguiente.
Velocidad Máxima: 30 nudos

NOTE: All hp's with «Big Foot» and High Thrust applications require next size up.
Max. Speed: 30 knots

NOTA: Tutti i motori «Big Foot» a alta spinta richiedono la seguente referenza.
Velocità Massima: 30 nodi

Protectores para hélices en fuerabordas y colas intra-fueraborda, mejorante el control direccional y aumentando la eficiencia de la hélice. Fabricado en polipropileno de alto impacto.

Propeller guard for outboards and stern drive units. Manufactured in high impact polypropylene. Better control in directional force. Increase the propeller efficiency.

Protettore per eliche nei fuoribordo e piedi entro-fuoribordo, migliorando il controllo direzionale e aumentando l'efficienza delle eliche. Prodotto in polipropilene di alta qualità.

ANTI-ROBO / ANTI THEFT / ANTI-FURTO

Ref.	Longitud / Length / Lunghezza
GS73138	240 mm
GS73139	320 mm

Para motores fueraborda. Fabricado en acero inox. de 3 mm con candado de latón con 2 llaves.

Manufactured in 3 mm stainless steel pipe. Provided with a padlock in brass with 2 keys.

Per motori fuoribordo. Prodotto in acciaio inox da 3 mm con lucchetto in ottone con 2 chiavi.



GOLDENSHIP

ALARGO BARRA FUERABORDA EXTENSION HANDLE PROLUNGA BARRA FUORIBORDO

Ref.	Longitud / Length / Lunghezza
GS73135	Fijo / Fixed / Fisso 70 cm
GS73136	Telescópico / Telescopic / Telescopico 60 - 100 cm.



GOLDENSHIP

Prolongador de caña con pulsador de paro, para motores fueraborda. Fabricado en aluminio anodizado y maneta de plástico.

Outboard motor extension handle with push-button to switch-off the engine. Made of anodized aluminum and plastic handle.

Prolunga con pulsante per motori fuoribordo. Prodotto in alluminio anodizzato e maniglia di plastica.

MANDOS ELECTRÓNICOS DE CONTROL ELECTRONIC CONTROLS SYSTEM COMANDI ELETTRONICI CONTROLLO



Mandos electrónicos para el gobierno de embarcaciones con motores interiores, intra-fueraborda y fuerabordas.

Reemplaza y mejora el funcionamiento de los mandos mecánicos tradicionales, permitiendo un control más preciso y suave de las maniobras. Se suministran en kits completos con todos los componentes para sustituir de modo sencillo los mandos tradicionales, listos para instalar y operar. Sistema de conexión «CANbus» asegurando una fácil y sencilla interconexión. **Alimentación estándar 12V.** (24V Bajo demanda).

- Pueden conectarse hasta 6 puestos de control.
- Sincronización de r.p.m. en ambos motores.
- Posibilidad de aumentar y reducir las revoluciones del motor mediante ligeras pulsaciones de los botones de control.
- Puede incorporar mandos de control remoto mediante conexión «CANbus».
- Memoria de diagnósticos de avisos y alarmas.

Electronic Engine Control Systems for all type of boats with inboard, inboard/outboard or outboard engines.

Easily upgrade the traditional boat mechanical controls. Gives finger tip, precise control of your engines shift and throttle functions. Supplied in complete kits with all components required and ready to install. Latest CANbus technology for easy installation and set up. **2V Standard power** (24V on demand).

- Can be connected up to 6 control heads.
- Auto synchronization r.p.m.
- Possibility of throttle in «BUMP» mode.
- Can incorporate Handheld Remote Controls.
- Memory of diagnostics checks of warning and alarms.

Comandi elettronici per il controllo delle imbarcazioni con motori entro-bordo, entro-fuoribordo e fuoribordo.

Sostituisce e migliora il funzionamento dei comandi meccanici tradizionali, permettendo un controllo più preciso e delicato delle manovre. Si vende in kit completo con tutti i componenti per sostituire in modo semplice i comandi tradizionali, con manuale di installazione e uso. Sistema di connessione «CANbus» assicura una facile e semplice interconnessione. **Alimentazione standard 12V.** (24V Su domanda).

- Si possono connettere fino a 6 posti di controllo.
- Sincronizzazione di r.p.m. in entrambi i motori.
- Possibilità di aumentare e ridurre la rotazione del motore tramite una leggera spinta sul pulsante di controllo.
- Si possono inserire comandi di controllo remoto tramite «CANbus».
- Memoria di diagnostica, avviso e allarme.

Ref.	
GLE1M1EC	KIT MANDOS 1 motor intra/fueraborda o fueraborda, 1 estación + Trim COMPLETE KIT 1 engine I/O - outboard, 1 station + Trim KIT COMANDO 1 motore entro/fuoribordo o fuoribordo, 1 stazione + Trim
GLE1M2EC	KIT 2ª ESTACIÓN 1 motor intra/fueraborda o fueraborda, 2 estaciones + Trim KIT 2nd STATION 1 engine I/O - outboard, 2 stations + Trim KIT 2ª STAZIONE 1 motore entro/fuoribordo o fuoribordo, 2 stazioni + Trim

GLE1M1EC

Compuesto de:

- 1 - Actuador SA2
- 1 - Mando 1 palanca - 6 pulsadores
- 1 - Cable comunicacion mando-actuador 12 m
- 2 - Resistencia terminal BUS
- 1 - Cable alimentacion DC a actuador 9 m.
- 1 - Cable Trim/Encendido/Start interlock

GLE1M2EC

Compuesto de:

- 1 - Mando 1 palanca 6 pulsadores
- 1 - Cable comunicacion mando-mando 12 m

GLE1M1EC

Comprising:

- 1 - Actuador SA2
- 1 - Single Control Head - 6-buttons
- 1 - Station comm cable 40ft.
- 2 - Terminating resistor
- 1 - Harness DC power-actuador 30ft.
- 1 - Harness Trim/Ignition/Start Interlock.

GLE1M2EC

Comprising:

- 1 - Single Control Head - 6-buttons
- 1 - Station comm cable 40ft.

GLE1M1EC

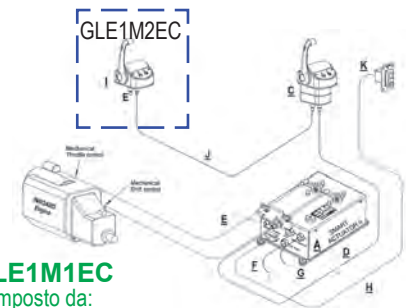
Composto da:

- 1 - Attuatore SA2
- 1 - Comando 1 leva - 6 pulsanti
- 1 - Cavo comunicacion comando 12 m
- 2 - Resistencia terminal BUS
- 1 - Cavo alimentacion DC e connesione 9 m
- 1 - Cavo Trim/accensione/Start interlock

GLE1M2EC

Composto da:

- 1 - Comando 1 leva 6 pulsanti
- 1 - Cavo comunicacion comando-comando 12 m



Ref.	
GLE2M1EC	KIT MANDOS 2 motor intra/fueraborda o fueraborda, 1 estación + Trim COMPLETE KIT 2 engine I/O - outboard, 1 station + Trim KIT COMANDO 2 motore entro/fuoribordo o fuoribordo, 1 stazione + Trim
GLE2M2EC	KIT 2ª ESTACIÓN 2 motor intra/fueraborda o fueraborda, 2 estaciones + Trim KIT 2nd STATION 2 engine I/O - outboard, 2 stations + Trim KIT 2ª STAZIONE 2 motore entro/fuoribordo o fuoribordo, 2 stazioni + Trim

GLE2M1EC

Compuesto de:

- 2-Actuador SA2
- 1-Mando 2 palanca - 6 pulsadores
- 1-Cable comunicacion mando-actuador 12 m
- 1-Cable comunicacion mando-actuador 6 m
- 2-Resistencia terminal BUS
- 2-Cable alimentacion DC a actuador 9 m.
- 1-Cable Encendido/Tacómetro babor.
- 1-Cable Tacómetro esbitor.
- 2-Cables Trim / Start Interlock.

GLE2M2EC

Compuesto de:

- 1-Mando 2 palanca 6 pulsadores
- 1-Cable comunicacion mando-mando 12 m

GLE2M1EC

Comprising:

- 2- Actuador SA2
- 1-Twin Control Head - 6-buttons
- 1-Station comm cable 40ft.
- 1-Station comm cable 20ft.
- 2-Terminating resistor
- 2-Harness DC power-actuador 30ft.

- 1-Harness Ignition/Tach sender port
- 1-Harness Tach sender starboard.
- 2-Harness Trim / Start Interlock.

GLE2M2EC

Comprising:

- 1-Single Control Head - 6-buttons
- 1-Station comm cable 40ft.

GLE2M1EC

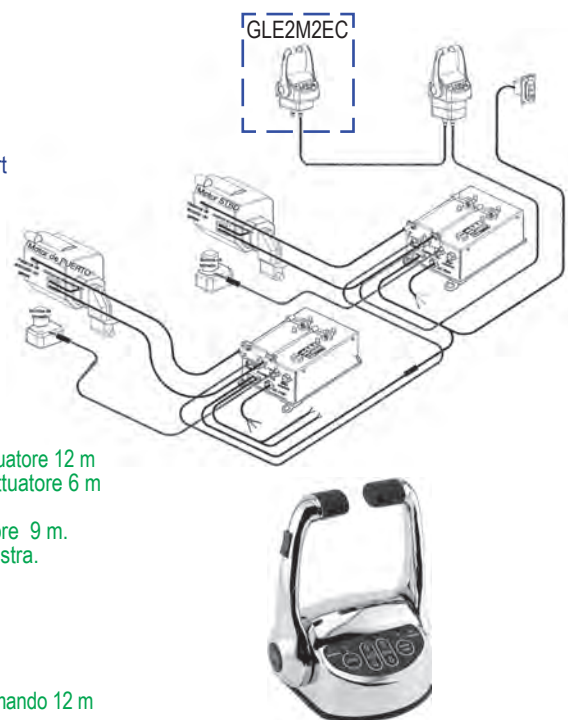
Composto da:

- 2-Attuatore SA2
- 1-Comando 2 leve - 6 pulsanti
- 1-Cavo comunicacion comando-actuador 12 m
- 1-Cavo comunicacion actuador-actuador 6 m
- 2-Resistencia terminal BUS
- 2-Cavo alimentazione DC a attuatore 9 m.
- 1-Cavo accensione/Tachimetro sinistra.
- 1-Cavo Tachimetro destra.
- 2-Cavo Trim / Start Interlock.

GLE2M2EC

Composto da:

- 1-Comando 2 leva 6 pulsanti
- 1-Cavo comunicacion comando-comando 12 m



ACCES.

RECAMBIOS MARINOS S.L.

MANDOS ENGINE CONTROLS COMANDI

MANDO DE CONTROL UNIVERSAL CONTROL COMANDO DI CONTROLLO

Ref.	Dimensiones / dimensions / Dimensioni	color / color / colori
GS40001	114 x 228 mm	Blanco / White / Bianco

Fabricado en plástico Hostafon y palancas de aluminio anodizado, independientes para acelerador y cambio. Con kit de adaptadores para cables Morse 33C, OMC, Mercury, Mariner y Suzuki.

Manufactured in Hostafon with levers in light alloy aluminum. Can be installed in both sides. With adaptors for Morse 33C, OMC, Mercury, Mariner and Suzuki.

Prodotto in plastica Hostafon e leve in alluminio anodizzato, indipendente per acceleratore e cambio. Con kit di adattatori per cavi Morse 33C, OMC, Mercury, Mariner e Suzuki.



GOLDENSHIP

MANDO LATERAL SIDE CONTROL COMANDO LATERALE

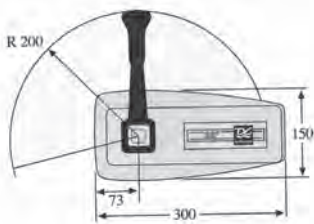
Ref.	Standard
GS40015	Standard

GOLDENSHIP

Mando a distancia de palanca con doble función (acelerador y cambio). Para motores intraborda e intra-fueraborda. Montaje lateral superpuesto. Utiliza cables 33-C.

Dual function, single lever control, For virtually all stern drive, outboard and inboard engines. Push button for neutral engine warm-up. For 33-C cables.

Comando a distanza di leve con doppia funzione acceleratore e cambio. Per motori fuoribordo Yamaha e Parsun da 40 a 250 Hp. Montaggio laterale sovrapposto. Utilizza cavi 33-C.



Ref.	R.O.
REC703-48230-14	703-48230-A1

Conector de 7 pins. Sin PowerTrim

Mando a distancia de palanca con doble función (acelerador y cambio). Para motores fueraborda Yamaha y Parsun de 9,9 Electric a 30 Hp. Montaje lateral superpuesto. Leva para aceleración en punto muerto. Utiliza cables 33-C

Connector 7 pins. Without PowerTrim

Dual function, single lever control. For outboard engines Yamaha and Parsun 9,9 Electric to 30 Hp. Lever for neutral engine warm-up. For 33-C cables

Conettore da 7 pins. Sin PowerTrim

Comando a distancia di leve con doppia funzione acceleratore e cambio. Per motori fuoribordo Yamaha e Parsun da 9,9 Electric a 30 Hp. Montaggio laterale sovrapposto. Leva per accelerare in un punto morto. Utilizza cavi 33-C.



Ref.	R.O.
REC703-48205-16	703-48205-1B

Conector de 10 pins. Sin PowerTrim

Mando a distancia de palanca con doble función (acelerador y cambio). Para motores fueraborda Yamaha y Parsun de 40 a 250 Hp. Montaje lateral superpuesto. Leva para aceleración en punto muerto. Con interruptor y cableado de Power Trim. Utiliza cables 33-C

Connector 10 pins. Without PowerTrim

Dual function, single lever control, For outboard engines Yamaha and Parsun 40 to 250 Hp. Lever for neutral engine warm-up. With power trim switch and wires. For 33-C cables.

Conettore da 10 pins. Sin PowerTrim

Comando a distancia di leve con doppia funzione, acceleratore e cambio. Per motori fuoribordo Yamaha e Parsun da 40 a 250 Hp. Montaggio laterale sovrapposto. Leva per accelerare in un punto morto. Con interruttore e cablaggio di Power Trim. Utilizza cavi 33-C.



DIFERENCIAL DOBLE PUENTE DUAL STATION TRANSFER UNIT DIFFERENZIALE DOPPIO

Ref.
GS40010

GOLDENSHIP

Diferencial para doble mando. Utiliza cables tipo 33-C. Conecta los cables de dos mandos de modo que el motor pueda ser accionado independientemente desde los dos mandos.

Uses cables type 33-C. Connects the cables of two stations to one engine. 1 unit for throttle, 1 unit for clutch.

Differenziale per comando doppio. Utilizza cavi tipo 33-C. Connette i cavi comando in modo che il motore possa essere azionato indipendentemente dai comandi.



GAMA TELEFLEX «SL3»

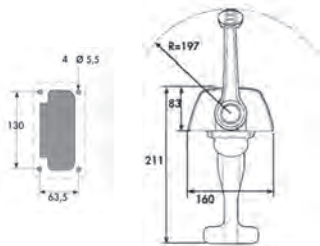
Mando a distancia de palanca con doble función (acelerador y cambio). Para instalación de 1 ó 2 motores. Carcasa de plástico anticorrosión. Protección de arranque en punto muerto. Botón aceleración en punto muerto. Utiliza 2 ó 4 cables 3300C, 3300S OMC o Mercury.

Dual function, single lever control, for virtually all stern drive, outboard and inboard engines. Push button for neutral engine warm-up. Neutral interlock prevents starting in gear. For cable 3300C, 3300S, OMC or Mercury.

Comando a distanza di leve con doppia funzione acceleratore e cambio. Per installazione di un motore. Scatola di plastica anticorrosione. Protezione di partenza in punto morto. Pulsante accelerazione in punto morto. Utilizza 2 o 4 cavi 3300C, 3300S OMC o Mercury.

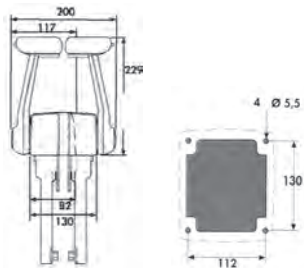
Ref.	
MOR309476	Standard
MOR309478-002	Con / With / Con TRIM & TILT

MANDO SL3 SL3 CONTROL COMANDO SL3



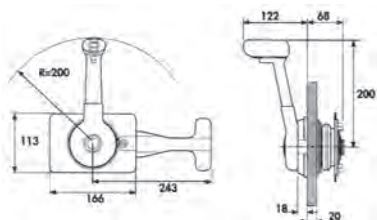
Ref.	
MOR309479	Standard
MOR309481	Con / With / Con TRIM & TILT

MANDO SL3-TWIN SL3 CONTROL COMANDO SL3-TWIN



Ref.	
MOR309473	Standard
MOR309475-002	Con / With / Con TRIM & TILT

MANDO SL3-LATERAL SL3 CONTROL COMANDO SL3-LATERALE



GAMA TELEFLEX «PREMIUM»

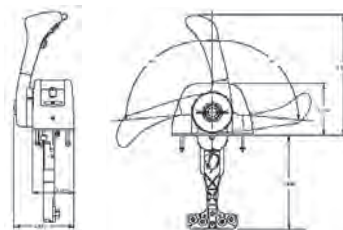
Mando a distancia de palanca con doble función (acelerador y cambio). Para instalación de 2 motores. Carcasa de plástico CROMADO. Protección de arranque en punto muerto. Botón aceleración en punto muerto.

Utiliza 2 cables 3300C, 3300S, OMC o Mercury. Diseño ergonómico. Dual function, single lever control, for virtually all stern drive, outboard and inboard engines. Push button for neutral engine warm-up. Neutral interlock prevents starting in gear. For cable 3300C, 3300S, OMC or Mercury. Ergonomic desing.

Comando a distanza di leve con doppia funzione acceleratore e cambio. Per installazione di 2 motori. Scatola di plastica CROMATA. Protezione di partenza in punto morto. Pulsante accelerazione in punto morto. Utilizza 2 cables 3300C, 3300S, OMC o Mercury. Diseño ergonómico.

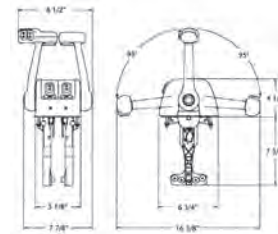
Ref.	
MORCH7500	Standard Cromado / Chrome plated / Standard Cromato
MORCH7500TT	Con / With / Con TRIM & TILT

MANDO CH7500 CH7500 CONTROL COMANDO CH7500



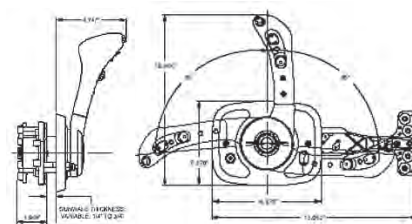
Ref.	
MORCH7840	Standard
MORCH7842	Con / With / Con TRIM & TILT

MANDO CH7800 CH7800 CONTROL COMANDO CH7800



Ref.	
MORCH1700	Standard Cromado / Chrome plated / Standard Cromato
MORCH1700TT	Con / With / Con TRIM & TILT

MANDO CH1700 CH1700 CONTROL COMANDO CH1700



ACCES.

RECAMBIOS
MARINOS S.L.

CABLES MANDOS CONTROL CABLES CAVI COMANDO

CABLE CONTROL KM MAXFLEX ENGINE CONTROL CABLES CAVI CONTROLLO KM MAXFLEX

Cables de mando para reemplazar los originales de Mercury, Mercruiser y Mariner.
For applications in Mercury, Mercruiser and Mariner.

Cavi di comando per rimpiazzare gli originali di Mercury, Mercruiser e Mariner.

Ref.	Longitud / Length / Lunghezza pies / foot / piedi = m
PREKM63706	6' = 1,80m
PREKM63707	7' = 2,10m
PREKM63708	8' = 2,45m
PREKM63709	9' = 2,75m
PREKM63710	10' = 3,05m
PREKM63711	11' = 3,35m
PREKM63712	12' = 3,65m
PREKM63713	13' = 3,95m
PREKM63714	14' = 4,25m
PREKM63715	15' = 4,60m
PREKM63716	16' = 4,90m
PREKM63717	17' = 5,20m
PREKM63718	18' = 5,50m
PREKM63719	19' = 5,80m
PREKM63720	20' = 6,10m
PREKM63721	21' = 6,40m
PREKM63722	22' = 6,70m
PREKM63723	23' = 7,00m
PREKM63724	24' = 7,30m



CABLE CONTROL 4300C ENGINE CONTROL CABLES CAVI CONTROLLO 4300C

Cables de mando. Para trabajos pesados. Recorrido de trabajo: 76 mm Rosca 1/4-28"

Engine control cables. Heavy Duty. Travel 3". Threaded 1/4-28.

Cavi di comando. Per lavori pesanti. Escursione di lavoro: 76 mm. Passo 1/4-28"



Ref.	Longitud / Length / Lunghezza pies / foot / piedi = m
	5' = 1,50m
PRE6500C06	6' = 1,80m
PRE6500C07	7' = 2,10m
PRE6500C08	8' = 2,45m
PRE6500C09	9' = 2,75m
PRE6500C10	10' = 3,05m
PRE6500C12	12' = 3,65m
PRE6500C14	14' = 4,25m
PRE6500C16	16' = 4,90m
PRE6500C18	18' = 5,50m
PRE6500C19	19' = 5,80m
PRE6500C21	21' = 6,40m
PRE6500C23	23' = 7,00m
PRE6500C25	25' = 7,60m
PRE6500C27	27' = 8,25m
PRE6500C29	29' = 8,85m
PRE6500C31	31' = 9,50m
PRE6500C33	33' = 10,00m
PRE6500C35	35' = 10,65m
PRE6500C37	37' = 11,28m
PRE6500C39	39' = 11,89m
PRE6500C41	41' = 12,56m
PRE6500C43	43' = 13,11m
PRE6500C45	45' = 13,71m
PRE6500C47	47' = 14,33m



CABLE CONTROL GEN II MAXFLEX ENGINE CONTROL CABLES CAVI CONTROLLO GEN II MAXFLEX

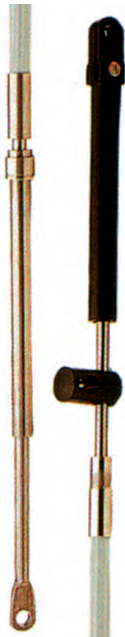
Cables de mando para reemplazar los originales de Mercury 4000/4500 Gen II Platinum.

For applications in Mercury GEN II Platinum 4000/4500

Cavi di comando per rimpiazzare gli originali di Mercury 4000/4500 Gen II Platinum



Ref.	Longitud / Length / Lunghezza pies / foot / piedi = m
PRE53006	6' = 1,80m
PRE53007	7' = 2,10m
PRE53008	8' = 2,45m
PRE53009	9' = 2,75m
PRE53010	10' = 3,05m
PRE53011	11' = 3,35m
PRE53012	12' = 3,65m
PRE53013	13' = 3,95m
PRE53014	14' = 4,25m
PRE53015	15' = 4,60m
PRE53016	16' = 4,90m
PRE53017	17' = 5,20m
PRE53018	18' = 5,50m
PRE53019	19' = 5,80m
PRE53020	20' = 6,10m
PRE53021	21' = 6,40m
PRE53022	22' = 6,70m
PRE53023	23' = 7,00m
PRE53024	24' = 7,30m



CABLE CONTROL MC MAXFLEX ENGINE CONTROL CABLES CAVI CONTROLLO MC MAXFLEX

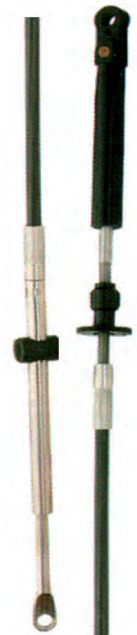
Cables de mando para reemplazar los originales de OMC, Johnson y Evinrude desde 1979 en adelante.

For applications in OMC, Johnson, Evinrude 1979 to date.

Cavi di comando per rimpiazzare gli originali di OMC, Johnson e Evinrude da 1979 in avanti.



Ref.	Longitud / Length / Lunghezza pies / foot / piedi = m
PREMC30506	6' = 1,80m
PREMC30507	7' = 2,10m
PREMC30508	8' = 2,45m
PREMC30509	9' = 2,75m
PREMC30510	10' = 3,05m
PREMC30511	11' = 3,35m
PREMC30512	12' = 3,65m
PREMC30513	13' = 3,95m
PREMC30514	14' = 4,25m
PREMC30515	15' = 4,60m
PREMC30516	16' = 4,90m
PREMC30517	17' = 5,20m
PREMC30518	18' = 5,50m
PREMC30519	19' = 5,80m
PREMC30520	20' = 6,10m
PREMC30521	21' = 6,40m
PREMC30522	22' = 6,70m
PREMC30523	23' = 7,00m
PREMC30524	24' = 7,30m



CABLE CONTROL 3300S ENGINE CONTROL CABLES CAVI CONTROLLO 3300S



Cables de mando. **Con doble funda para mejor eficiencia de trabajo**
 Recorrido de trabajo: 76 mm Rosca 10-32"
 Engine control cables. **Double coating for maximum efficiency.** Travel 3".
 Threaded 10-32.

Cavi di comando. **Con doppia copertura per una miglior efficienza di lavoro.** Escursione di lavoro: 76 mm. Passo 10-32".

maxflex PRETECH **PINNACLE**

Ref.	Longitud / Length / Lunghezza pies / foot / piedi = m
PRE6300S05	5' = 1,50m
PRE6300S06	6' = 1,80m
PRE6300S07	7' = 2,10m
PRE6300S08	8' = 2,45m
PRE6300S09	9' = 2,75m
PRE6300S10	10' = 3,05m
PRE6300S11	11' = 3,35m
PRE6300S12	12' = 3,65m
PRE6300S13	13' = 3,95m
PRE6300S14	14' = 4,25m
PRE6300S15	15' = 4,60m
PRE6300S16	16' = 4,90m
PRE6300S17	17' = 5,20m
PRE6300S18	18' = 5,50m
PRE6300S19	19' = 5,80m
PRE6300S20	20' = 6,10m
PRE6300S21	21' = 6,40m
PRE6300S22	22' = 6,70m
PRE6300S23	23' = 7,00m
PRE6300S24	24' = 7,30m
PRE6300S25	25' = 7,60m
PRE6300S26	26' = 7,90m
PRE6300S27	27' = 8,25m
PRE6300S28	28' = 8,55m
PRE6300S29	29' = 8,85m
PRE6300S30	30' = 9,15m
PRE6300S31	31' = 9,50m
PRE6300S32	32' = 9,75m
PRE6300S33	33' = 10,00m
PRE6300S34	34' = 10,35m
PRE6300S35	35' = 10,65m
PRE6300S36	36' = 11,00m
PRE6300S38	38' = 11,50m
PRE6300S40	40' = 12,10m
PRE6300S42	42' = 12,70m
PRE6300S44	44' = 13,30m
PRE6300S46	46' = 14,00m
PRE6300S48	48' = 14,50m
PRE6300S50	50' = 15,00m

TIRADOR SD SD CONTROL TIRANTE SD

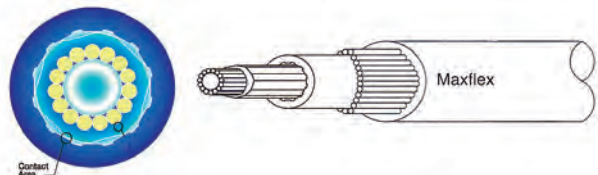
Ref.
PRE31916

Tirador para cable de paro y otros usos. Para ser utilizado con cables tipo 3300.

Handle for throttle, choke, stop, etc. Uses 3300 cables.
 Tirante per cavi e altri usi. Da utilizzare con cavi tipo 3300.



CABLE CONTROL 3300C ENGINE CONTROL CABLES CAVI CONTROLLO 3300C



Cables de mando. Recorrido de trabajo: 76 mm Rosca 10-32"
 Engine control cables. Travel 3". Threaded 10-32.
 Cavo di comando. Escursione di lavoro: 76 mm. Passo 10-32"

maxflex PRETECH

Ref.	Longitud / Length / Lunghezza pies / foot / piedi = m
PRE3300C05	5' = 1,50m
PRE3300C06	6' = 1,80m
PRE3300C07	7' = 2,10m
PRE3300C08	8' = 2,45m
PRE3300C09	9' = 2,75m
PRE3300C10	10' = 3,05m
PRE3300C11	11' = 3,35m
PRE3300C12	12' = 3,65m
PRE3300C13	13' = 3,95m
PRE3300C14	14' = 4,25m
PRE3300C15	15' = 4,60m
PRE3300C16	16' = 4,90m
PRE3300C17	17' = 5,20m
PRE3300C18	18' = 5,50m
PRE3300C19	19' = 5,80m
PRE3300C20	20' = 6,10m
PRE3300C21	21' = 6,40m
PRE3300C22	22' = 6,70m
PRE3300C23	23' = 7,00m
PRE3300C24	24' = 7,30m
PRE3300C25	25' = 7,60m
PRE3300C26	26' = 7,90m
PRE3300C27	27' = 8,25m
PRE3300C28	28' = 8,55m
PRE3300C29	29' = 8,85m
PRE3300C30	30' = 9,15m
PRE3300C31	31' = 9,50m
PRE3300C32	32' = 9,75m
PRE3300C33	33' = 10,00m
PRE3300C34	34' = 10,35m
PRE3300C35	35' = 10,65m
PRE3300C36	36' = 11,00m
PRE3300C38	38' = 11,50m
PRE3300C40	40' = 12,10m
PRE3300C42	42' = 12,70m
PRE3300C44	44' = 13,30m
PRE3300C46	46' = 14,00m
PRE3300C48	48' = 14,50m
PRE3300C50	50' = 15,00m

SOPORTE TIRADOR SD SD CONTROL BRACKET SUPPORTO TIRANTE SD

Ref.
PRE31917

Tirador angular para cable de paro y otros usos. Para ser utilizado con cables tipo 3300.

Handle for throttle, choke, stop, etc. Uses 3300 cables.

Tiratore per cavi e altri usi. Da utilizzare con cavi tipo 3300.



ACCES.

RECAMBIO
MARINOS S.L.

CABLES ACCESORIOS CABLES ACCESSORIES CAVI ACCESSORI

KIT ADAPTADORES DE CABLES 3300C ADAPTER KIT KIT ADATTATORI DI CAVI 3300C

Ref.	Descripción Descriptions Descrizione	Motores Engines Motori	Envase (x bolsa) Pack (x bag) Qty (x borsa)
PRE30190	fueraborda / Outboard / fuoribordo	Mercury	1
PRE30212		Mercury	1
PRE30172	fueraborda / Outboard / fuoribordo	Johnson, Evinrude	1
PRE30107	para mandos / For control / Per comandi	Mercury/Mercruiser	1
PRE30493	para mandos / For control / Per comandi	OMC	1
PRE30055	para colas / For drive / Per piedi	OMC	1



PRE30190

PRE30212



PRE30172

PRE30107



PRE30493

PRE30055

ACCESORIOS CABLES 3300C ACCESSORIES FOR CABLES ACCESSORI PER CAVI 3300C

Ref.	Descripción Descriptions Descrizione	Envase (x blister) Pack (x skinpack) Qty (x blister)
PRE331125	1 Horquilla / Fork / Forcella	1
PRE31799	2 Rotula / Ball joint / Snodo	1
PRE308650	3 Pivote / Pivot / Perno	1
PRE332010	4 Abrazadera / Clamp / Fascetta	1
PRE331538	5 Platina / Shim / Piastrina	1
PRE331980	6 Terminal ojo / Terminal eye / Terminale occhio	1
PRE336174	7 Fijador 1 cable / Stop collar / Fissatore 1 cavo	1
PRE215154	8 Fijador 2 cables / Stop collar / Fissatore 2 cavo	1



CABLE DE STOP MAXFLEX UTILITY CABLES CAVI DI STOP MAXFLEX



Ref.	Longitud pies / foot / piedi = m	Length /	Lunghezza /
PRE31507	7' = 2,13m		
PRE90508	8' = 2,44m		
PRE90509	9' = 2,74m		
PRE90510	10' = 3,05m		
PRE90511	11' = 3,35m		
PRE90512	12' = 3,66m		
PRE90513	13' = 3,96m		
PRE90514	14' = 4,27m		
PRE90515	15' = 4,57m		
PRE90516	16' = 4,88m		



CABLE DE MANDO VERNIER VERNIER CONTROL HEAD AND CABLE CAVI COMANDO VERNIER



Ref.	Longitud pies / foot / piedi = m	Length /	Lunghezza /
PRE90107	7' = 2,13m		
PRE90108	8' = 2,44m		
PRE90109	9' = 2,74m		
PRE90110	10' = 3,05m		
PRE90111	11' = 3,35m		
PRE90112	12' = 3,66m		
PRE90113	13' = 3,96m		
PRE90114	14' = 4,27m		
PRE90115	15' = 4,57m		
PRE90116	16' = 4,88m		



TIRADOR VERNIER VERNIER HEAD ONLY TIRATORE VERNIER

Ref.
PRE377941



ACCESORIOS DIRECCIÓN STEERING ACCESSORIES ACCESSORI TIMONERIE

BARRA DE DIRECCIÓN LINK ARM BARRA DI DIREZIONE

Ref.	Dimensiones / Dimensions / Dimenzioni	Envase / Pack / Qty
GS41080	320 a / to 340 mm	1 x bolsa / bag / borsa

Barra de reenvío para conexión de los cables de dirección. Fabricada en acero inox. Para motores Johnson/Evinrude.

Link arm for outboards steering. Stainless steel. For engines Johnson/Evinrude.

Barra di rinvio per connessione dei cavi di timoneria. Prodotto in acciaio inox. Per motori Johnson/Evinrude.



GOLDENSHIP

Ref.	Dimensiones / Dimensions / Dimenzioni	Envase / Pack / Qnt
GS41082	320 a / to 370 mm	1 x bolsa / bag / borsa

Barra de reenvío para conexión de los cables de dirección. Fabricada en acero inox. Con conexión rápida.
Link arm for outboards steerings. Stainless steel. Adjustable. Quick connection.
Barra di rinvio per connessione del cavo di timoneria. Prodotto in acciaio inox. Con innesto rapido.



GOLDENSHIP

Ref.	Envase / Pack / Qnt
PRE370621	1 x bolsa / bag / borsa

Barra de reenvío para conexión de los cables de dirección. Fabricada en acero inox. Reforzada. Link arm for outboards steerings.
Barra di rinvio per connessione del cavo di timoneria.



SOPORTE DE POPA BRACKET KIT SUPPORTO DI POPPA

Ref.	Envase / Pack / Qnt
PRE370046	1 x bolsa / bag / borsa

Soporte para cable de dirección. Para montaje en el espejo de popa.
Bracket kit for inboard transom steering mount.
Supporti per cavi di timoneria. Montaggio nello specchio di poppa.



SOPORTE ESTANCO SPLASHWELL KIT FLANGIA SNODATA

Ref.	Envase / Pack / Qnt
PRE370613	1 x bolsa / bag / borsa

Soporte para cable de dirección. Para montaje estanco en los laterales de la embarcación. Regulable.
Bracket kit for inboard side splashwell steering mount.
Supporto per cavi di timoneria. Montaggio della flangia al lato dell'imbarcazione. Regolabile.



RÓTULA DE UNIÓN BALL JOINT SNODO DI UNIONE

Ref.	Envase / Pack / Qnt
PRE370619	1 x bolsa / bag / borsa

Rótula para unión rápida del cable de dirección al motor.
Ball joint for steering cables.
Snodo per unione rapida del cavo di timoneria del motore.



CARDÁN DE UNIÓN SWIVEL JOINT CARDANO DI UNIONE

Ref.	Envase / Pack / Qnt
PRE370618	1 x bolsa / bag / borsa

Cardán para unión del cable de dirección al motor.
Swivel joint for steering cables.
Cardano per unire il cavo di timoneria al motore.



BARRA DE UNIÓN UNIVERSAL TIE BAR BARRA DI UNIONE

Ref.	Dimensiones / Dimensions / Dimenzioni	Envase / Pack / Qnt
HYDBTW70	620 a / to 700 mm	1 x bolsa / bag / borsa

Barra de unión para el acople de dos motores fueraborda. Fabricada en acero inox. Con conexión a rótula.
Universal tie bar for two engines. Made in stainless steel. With spherical joint.
Barra di unione per l'accoppiamento di due motori fuoribordo. Prodotto in acciaio inox. Con connessione a snodo.



GOLDENSHIP

Ref.	Dimensiones / Dimensions / Dimenzioni	Envase / Pack / Qnt
GS41084	640 a / to 780 mm	1 x bolsa / bag / borsa



GOLDENSHIP

DIRECCIONES STEERING CONTROLS TIMONERIE

CAJA DIRECCION AJUSTABLE «ZTS» TILT STEERING HELM «ZTS» TIMONERIA REGOLABILE «ZTS»

Ref.
PRE500007

Caja de dirección con sistema de ángulo ajustable hasta 40°. Se acomoda la postura de conducción más idónea para el piloto.
Tilt rotary steering system to use with the steering cables 3000 SS.
Timoneria regolabile con un angolo fino a 40° per adattarsi meglio al cassero di guida.



ACCES.

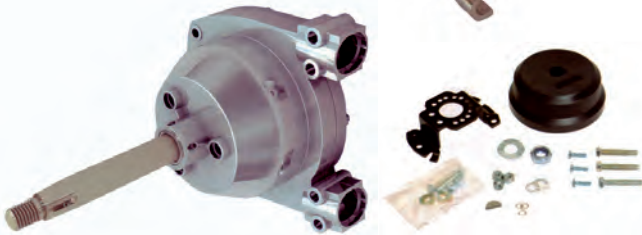
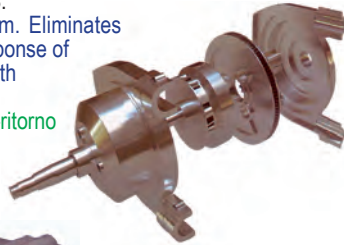
RECAMBIOS
MARINOS S.L.

CAJA DIRECCION «ZTS» ZERO TORQUE HELM TIMONERIA «ZTS»

Ref.	Descripción / Descriptions / Descrizione
PRE500010	Caja de dirección / Helm / Timoneria
PRE500012	Ménsula de montaje 90° / Bezel Kit 90° / Supporto di montaggio 90°
PRE500014	Ménsula de montaje 20° / Bezel Kit 20° / Supporto di montaggio 20°

Caja de dirección con mecanismo antirretorno. Elimina el «feedback» de la hélice. N° vueltas babor-estribor: 3,8. Para utilizar con cables 3000 SS. Zero torque steering rotary helm. Eliminates prop feedback load. Precise response of 3.8 turns lock-to-lock. For use with the steering cables 3000 SS.

Timoneria con meccanismo anti-ritorno. Elimina il «feedback» dell'elica. N° giri a destra e a sinistra: 3,8. Da utilizzare con cavi 3000 SS.



Puede reemplazar las direcciones mecánicas / Directly replaces Rotary Steering Systems for / Può sostituire le timonerie meccaniche: Teleflex-Morse® NFB Safe-T II, NFB 4.2, T73BRFC



CABLE DE DIRECCIÓN «LT» «LT» STEERING CABLE CAVO DI DIREZIONE «LT»

Ref.	Longitud / Length / Lunghezza pies / foot / piedi = m	Recambio para los kits «LT» Replacement for kits «LT» Ricambio per i kit «LT»
PRE250005	5' = 1,50m	
PRE250006	6' = 1,85m	
PRE250007	7' = 2,10m	
PRE250008	8' = 2,45m	
PRE250009	9' = 2,75m	
PRE250010	10' = 3,05m	
PRE250011	11' = 3,35m	
PRE250012	12' = 3,65m	
PRE250013	13' = 3,95m	
PRE250014	14' = 4,25m	
PRE250015	15' = 4,60m	
PRE250016	16' = 4,90m	

CONJUNTO DE DIRECCIÓN 3000 SS S.S. STEERING SYSTEM 3000SS KIT TIMONERIA 3000 SS

Conjunto de dirección mecánica compuesto por 1 caja operadora, 1 cable de dirección **fabricado en acero inoxidable**, según las medidas indicadas y un bisel de montaje de 90°. Para embarcaciones de hasta 8 m con motores intraborda, intra-fueraborda y fueraborda con un esfuerzo máximo de 140 kg en el punto de unión. Puede montarse en cualquier posición con movimientos de 90° para permitir la salida del cable en la dirección deseada.

Radio mínimo curvatura del cable 200 mm.

Carrera del cable 230 mm con 3,6 vueltas de volante.

Rotary steering system: Helm, Stainless Steel Cable and 90° Bezel. Can be used on boats up to 25 ft. in length. **Stainless steel** inner cable with spring stainless steel enclosure coil.

Maximum working load: 300 lb. at the tiller arm.

Three turns lock to lock. Travel 230 mm

Kit timoneria meccanica composta da 1 timoneria, 1 cavo di direzione **fabricado in acciaio inossidabile**, e una piastra di montaggio di 90°. Per imbarcazioni fino a 8 m con motori entroborde, entro-fuoriborde y fuoriborde con uno sforzo massimo di 140 kg nel punto di unione. Può montarsi in qualunque posizione con un movimento di 90° per permettere l'uscita del cavo nella direzione desiderata.

Raggio mínimo curvatura del cavo 200 mm.

Escursión del cavo 230 mm. con 3,6 giri del volante.

Ref.	Longitud / Length / Lunghezza pies / foot / piedi = m
PRE315008	8' = 2,45m
PRE315009	9' = 2,75m
PRE315010	10' = 3,05m
PRE315011	11' = 3,35m
PRE315012	12' = 3,65m
PRE315013	13' = 3,95m
PRE315014	14' = 4,25m
PRE315015	15' = 4,60m
PRE315016	16' = 4,90m
PRE315017	17' = 5,20m
PRE315018	18' = 5,50m
PRE315019	19' = 5,80m
PRE315020	20' = 6,10m



CONJUNTO DE DIRECCION «LT» STEERING SYSTEM «LT» KIT TIMONERIA «LT»

Ref.	Longitud / Length / Lunghezza pies / foot / piedi = m
PRE208005	5' = 1,50m
PRE208006	6' = 1,85m
PRE208007	7' = 2,10m
PRE208008	8' = 2,45m
PRE208009	9' = 2,75m
PRE208010	10' = 3,05m
PRE208011	11' = 3,35m
PRE208012	12' = 3,65m
PRE208013	13' = 3,95m
PRE208014	14' = 4,25m
PRE208015	15' = 4,60m
PRE208016	16' = 4,90m



Conjunto de dirección mecánica compuesto por 1 caja operadora, 1 cable de dirección, según las medidas indicadas y un bisel de montaje de 90°.

Para embarcaciones de hasta 5,5 m con motores fueraborda de hasta 55 HP. Radio mínimo curvatura del cable 360°. Carrera del cable 230 mm con 2,5 vueltas de volante

Rotary steering system: Helm, Steering cable and 90° bezel. **Can be used on boats up to 18 ft. in length with engines up to 55 HP.** 2.5 turns lock to lock. Travel 230 mm.

Kit timoneria meccanica composta da 1 timoneria, 1 cavo di direzione, e una piastra di montaggio a 90°. **Per imbarcazioni fino a 5,5 mt. con motori fuoriborde fino a 55 HP.** Estensione del cavo 230 mm. con 2,5 giri del volante.



Reemplaza directamente las direcciones mecánicas:

Directly replaces Rotary Steering Systems for:

Sostituisce direttamente le timonerie meccaniche:

Teleflex-Morse® Safe-T QC, Safe-T Uflex T71FC



CABLE DE DIRECCIÓN 3000SS 3000SS STEERING CABLE CAVO DI TIMONERIA 3000SS

Cable de dirección 3000 SS Fabricado en acero inoxidable
Stainless steel steering cable.
Cavo di timoneria 3000 SS Fabbriato in acciaio inossidabile.

Ref.	Longitud / Length / Lunghezza pies / foot / piedi = m
PRE550008	8 = 2,45m
PRE550009	9 = 2,75m
PRE550010	10' = 3,05m
PRE550011	11' = 3,35m
PRE550012	12' = 3,65m
PRE550013	13' = 3,95m
PRE550014	14' = 4,25m
PRE550015	15' = 4,60m
PRE550016	16' = 4,90m
PRE550017	17' = 5,20m
PRE550018	18' = 5,50m
PRE550019	19' = 5,80m
PRE550020	20' = 6,10m
PRE550021	21' = 6,40m
PRE550022	22' = 6,70m
PRE550023	23' = 7,00m
PRE550024	24' = 7,30m
PRE550025	25' = 7,60m
PRE550026	26' = 7,90m



CAJA DE DIRECCIÓN 3000 ROTARY HELM TIMONERIA 3000

Ref.	Descripción / Descriptions / Descrizione
PRE520010	Caja de dirección / Helm / Timoneria
PRE500012	Ménsula de montaje 90° / Bezel Kit 90° / Supporto di montaggio 90°
PRE500014	Ménsula de montaje 20° / Bezel Kit 20° / Supporto di montaggio 20°



CAJA DIRECCIÓN AJUSTABLE 3000 TILT STEERING HELM 3000 TIMONERIA REGOLABILE 3000

Ref.
PRE370987

Caja de dirección con sistema de ángulo ajustable hasta 40°.
Se acomoda la postura de conducción más idónea para el piloto.
Tilt rotary steering system to use with the steering cables 3000 SS.
Timoneria regolabile con un angolo fino a 40° per adattarsi meglio al cassero di guida.



DIRECCIÓN HIDRÁULICA FUERABORDA HYDRAULIC STEERING SYSTEM TIMONERIA IDRAULICA FUORIBORDO

Bomba de aluminio, con válvula antirretorno incorporada. Cilindro de aluminio y acero inoxidable, con purgadores. Se suministra completa con racors, tubo flexible de rilsan y aceite hidráulico.

Helm pump made in aluminum, with non-return valve incorporated. Cylinder in aluminum and stainless steel, with breather valves. Completed with racors, rilsan tubing and hydraulic oil.

Pompa in alluminio, con valvola anti-ritorno incorporata. Cilindro in alluminio e acciaio inossidabile. Si vende completa di raccordi, tubo flessibile e olio idraulico.

Ref.:	TX4200K	TX6400K
Motor hasta / Engine up to / Motore fino a	150HP	300HP
Válvula sobrepresión / pressure valve / sovrappresione valvola	-	si / Yes / si
Modelo bomba / Pump model / Modello pompa	BayStar	SeaStar
Capacidad bomba / Helm volume / capacità pompa	23 cm ³	27,8 cm ³
Modelo cilindro / Cylinder model / Modello cilindro	HC4645H	HC5345H
Capacidad cilindro / Cylinder volume / Capacità cilindro	105 cm ³	139 cm ³
Carrera del pistón / Cylinder travel / Escursione del pistone	206 mm	206 mm
Nº vueltas babor-estribor / Turns lock to lock / Nº giri destra-sinistra	5	5
Mangueras con racors / Hose w/racors / Tubi con racors	2 x 6 m	2 x 7 m
Velocidad máx. / Max. speed / Velocità massima	50 nudos	65 nudos

TX4200K



TX6400K



ACCES.

RECAMBIOS
MARINOS S.L.

Ref.:	GS41062	GS41065	GS41066
Motor hasta / Engine up to / Motore fino a	80HP	150HP	300HP
Modelo bomba / Pump model / Modello pompa	GM3-MRA	GM0-MRA	GM2-MRA01
Capacidad bomba / Helm volume / capacità pompa	14 cm ³	17 cm ³	27 cm ³
Modelo cilindro / Cylinder model / Modello cilindro	MC90B	MC150BR	MC300A
Capacidad cilindro / Cylinder volume / Capacidad cilindro	75 cm ³	83 cm ³	130 cm ³
Carrera del pistón / Cylinder travel / Escursione del pistone	206 mm	200 mm	198 mm
Nº vueltas babor-estribor / Turns lock to lock / Nº giri destra-sinistra	5,2	4,9	4,9
Mangueras con racors / Hose w/racors / Tubi con racors	2 x 5 m	2 x 6 m	2 x 7 m
Ø tubo / Tube Ø / Ø Tubo	6,3 mm - 1/4"	6,3 mm - 1/4"	7,94 mm - 5/16"

Bomba de aluminio, con válvula antirretorno y sobrepresión.
Cilindro de aluminio y acero inoxidable, con purgadores.
Se suministra completa con racors de latón cromado, tubo flexible de rilsan y aceite hidráulico.

Helm pump made in aluminum, with a non-return and pressure relief valves.

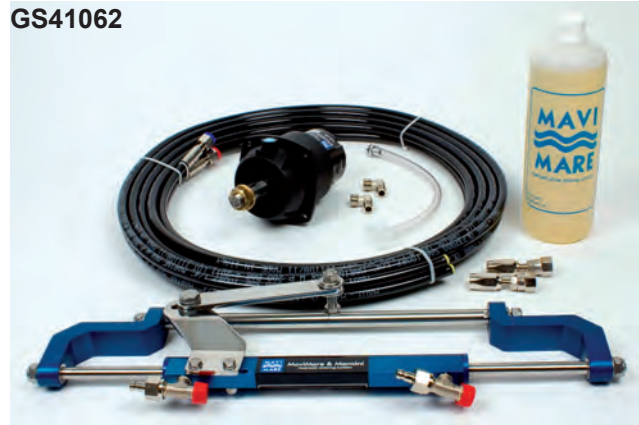
Cylinder in aluminum and stainless steel, with breather valves.
Completed with racors, rilsan tubing and hydraulic oil.

Pompa in alluminio, con valvola anti-ritorno e sovrappressione.

Cilindro di alluminio e acciaio inossidabile.

Si vende completa di raccordi in ottone cromato, tubo flessibile e olio idraulico.

GS41062



GS41065



GS41066

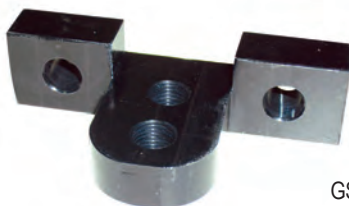


KIT CONEXIÓN KIT CONNECTOR KIT CONNESSIONE

Ref.	Para motores For engines Per motori	Envase (x blister) Pack (x skinpack) Qty (x blister)
GS41068	Yamaha 40-50-60-70 HP, Honda 115-130	1
GS41069	Mercury Optimax 115 & Mercury 150 EFI	1
GS41067	Honda 115-130	1



GS41068



GS41069



GS41067

TUBOS HIDRÁULICOS HYDRAULIC HOSES TUBO IDRAULICO

Ref.	Longitud / Length / Lunghezza
TXMP5126	8 m - 26'
TXMP5130	9 m - 30'

SeaStar

Par de tubos hidráulicos con racors montados para TX6400K
Pair of hydraulic hoses with racors for TX6400K
Tubi idraulici con raccordi montati per TX6400K

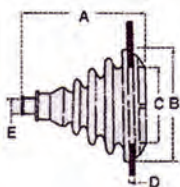


ACCESORIOS (DIRECCIÓN Y FUNDAS) STEERING AND COVERS ACCESSORIES ACCESSORI (TIMONERIA E COPERTURA)

ARO PROTECTOR MOTORWELL BOOT CUFFIA PROTETTORE

Ref.	Color / Color / Colore	Dimensiones / Dimensions / Dimensione (mm)				
		A	B	C	D	E
GS41180	Gris / Gray / Grigio	75	74	42	3-5	9-19
GS41181	Negro / Black / Nero	75	74	42	3-5	9-19
GS41182	Blanco / White / Bianco	75	74	42	3-5	9-19
GS41183	Gris / Gray / Grigio	105	100	70	3-5	10-20
GS41155	Negro / Black / Nero	105	100	70	3-5	10-20
GS41156	Blanco / White / Bianco	105	100	70	3-5	10-20
GS41184	Gris / Gray / Grigio	175	110	80	3-5	10-30
GS41185	Negro / Black / Nero	175	110	80	3-5	10-30
GS41186	Blanco / White / Bianco	175	110	80	3-5	10-30

Protección de los cables de control y dirección. Caucho flexible.
Seals off water intake and protects cables, wiring and gas lines. Made of durable rubber.
Protezione dei cavi di controllo e direzione. Gomma flessibile.



GOLDENSHIP



GS41184,
GS41185,
GS41186

GS41183,
GS41155,
GS41156

GS41180,
GS41181,
GS41182

Ref.	Color / Color / Colore	Envase / Pack / Qnt
GS41153	Negro / Black / Nero	1 x blister
GS41154	Blanco / White / Bianco	1 x blister

GOLDENSHIP

Protección de los cables de control y dirección. PVC flexible y aro rígido. Diámetro base: 105 mm
Seals off water intake and protects cables, wiring and gas lines. Made of PVC with rigid ring. Base diameter: 105 mm
Protezione dei cavi di controllo e direzione. PVC flessibile con anello rigido. Diametro base: 105 mm.



ARNÉS FUERABORDA HOISTING HARNESS IMBRAGATURA FUORIBORDO

Ref.
GS73069

GOLDENSHIP

Confeccionado con cincha sintética. Una sola medida se ajusta para fuerabordas de 2 a 15 HP.
Outboard hoisting harness. One size works on virtually all 2 to 15 HP outboards.
Confezionato con cinghia sintetica. Una sola misura, si regola per i fuoribordo da 2 a 15 HP.



FUNDAS PARA FUERABORDA OUTBOARD COVERS COPERTURA FUORIBORDO

Ref.	Motores / engines / Motori	Dimensiones / Dimensions / Dimensione		
		A	B	C
OCEMA0741	>15 hp	32 cm	27 cm	50 cm
OCEMA0742	15 - 30 hp	40 cm	30 cm	56 cm
OCEMA0743	30 - 60 hp	49 cm	36 cm	62 cm
OCEMA0744	60 - 100 hp	53 cm	40 cm	68 cm
OCEMA0745	100 - 150 hp	58 cm	46 cm	74 cm
OCEMA0746	175 - 250 hp	60 cm	50 cm	82 cm

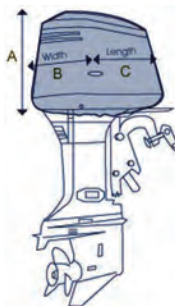
Para motores fueraborda de 2 y 4 tiempos. Confeccionadas en tejido de poliéster de 320 g/m². Impermeabilizado, transpirable. Costuras reforzadas. Color gris claro.

For outboard engines 2 & 4 stoke. Manufactured in 320 gsm polyester canvas. Weather proof, breathable. Reinforced top stitched seams. Grey color.

Per motori fuoribordo di 2 e 4 tempi. Confezionato in tessuto di poliestere da 320 g/m². Impermeabile, traspirante. Cuciture rinforzate. Colore grigio chiaro.



OCEANSOUTH



FUNDAS PARA F.B. COMPLETA FULL OUTBOARD COVERS COPERTURA COMPLETA F.B.

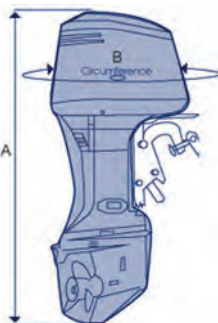
Ref.	Motores / engines / Motori	Dimensiones / Dimensions / Dimensione	
		A	B
OCEMA0751	> 6 hp	98 cm	126 cm
OCEMA0752	8 - 15 hp	110 cm	140 cm
OCEMA0753	15 - 20 hp	125 cm	150 cm
OCEMA0754	20 - 30 hp	137 cm	165 cm
OCEMA0755	30 - 60 hp	144 cm	180 cm
OCEMA0756	60 - 100 hp	170 cm	200 cm
OCEMA0757	115 - 150 hp	190 cm	226 cm
OCEMA0758	175 - 250 hp	197 cm	248 cm

Para motores fueraborda de 2 y 4 tiempos. Confeccionadas en tejido de poliéster de 320 g/m². Impermeabilizado, transpirable. Costuras reforzadas. Color gris claro.

For outboard engines 2 & 4 stoke. Manufactured in 320 gsm polyester canvas. Weather proof, breathable. Reinforced top stitched seams. Grey color.

Per motori fuoribordo di 2 e 4 tempi. Confezionato in tessuto di poliestere da 320 g/m². Impermeabile, traspirante. Cuciture rinforzate. Colore grigio chiaro.

OCEANSOUTH



ACCES.

RECAMBIOS
MARINOS S.L.

ÍNDICE

SISTEMA ALIMENTACIÓN Y FILTRACIÓN	PÁG	JUNTAS DE CULATA (4 TIEMPOS)	139-140
BOMBAS DE COMBUSTIBLES MANUALES	48	JUNTAS ESCAPE	153-155
BOMBAS DE COMBUSTIBLES MECÁNICAS	48	JUNTAS SISTEMA DE ADMISIÓN	148-150
BOMBAS DE COMBUSTIBLE ELÉCTRICAS	162	KIT DE JUNTAS (2 TIEMPOS)	140-142
BRACKETS Y FILTROS COMBUSTIBLE	49 - 52	KIT DE JUNTAS (4 TIEMPOS)	143
CABLES ACELERADOR	161	PISTONES, AROS, RODAMIENTOS Y BULONES (4 T)	124
CARBURADORES COMPLETOS	155	PISTONES, AROS, RODAMIENTOS Y BULONES (2 T)	124-127
COMPONENTES CARBURADOR	156-157	COLAS Y COMPONENTES	PÁG
CONECTORES Y MANGUERAS COMBUSTIBLE	48-49	ÁNODOS ZINC, ALUMINIO Y MAGNESIO	54-62
FILTROS DE COMBUSTIBLE	49-52	COLAS COMPLETAS (2 Y 4 TIEMPOS)	165-167
JUNTAS BOMBAS COMBUSTIBLE	163	DESPIECE COLAS (4 TIEMPOS)	168-179
JUNTAS CARBURADOR	156	DESPIECE COLAS (2 TIEMPOS)	180-220
KIT DE CARBURADOR	157-159	KIT DE JUNTAS Y RETENES	223-226
MEMBRANAS BOMBAS COMBUSTIBLE	162-163	GUIA APLICACIÓN PIEZAS COLAS	227-234
VARILLA ACELERADOR	156	GUIA APLICACIÓN RODAMIENTOS COLA	235-244
SISTEMA ELÉCTRICO	PÁG	SILENBLOCKS	222
DESCONECTADORES DE SEGURIDAD	69	HANDLE	222
MOTORES DE ARRANQUE	63-64	CLAMPS	221
MOTORES DE TRIM Y POWER TRIM	65	BUJES	222
REGULADORES Y RECTIFICADORES	66	HÉLICES Y GUIA DE APLICACIÓN	252-255
SENSORES DE OXÍGENO	70		
SOLENOIDES Y RELÉS	64		
SISTEMA DE ENCENDIDO	PÁG		
BOBINAS	67-69		
BUJIAS CHAMPION	70		
BUJIAS NGK	71		
CAJAS NEGRAS	66		
LLAVES DE ARRANQUE	70		
STATORS	66		
SISTEMA DE REFRIGERACIÓN	PÁG		
COMPONENTES BOMBA DE AGUA	248-249		
CUERPOS BOMBA DE AGUA	247		
GUIA BOMBAS DE AGUA (2 TIEMPOS)	245-246		
GUIA BOMBAS DE AGUA (4 TIEMPOS)	244-245		
IMPULSORES	221		
JUNTAS DE TERMOSTATO	164-165		
JUNTAS TAPA REFRIGERACIÓN	16-148		
KIT REPARACIÓN BOMBA DE AGUA	249-251		
TERMOSTATOS	163-164		
PARTES DE MOTOR	PÁG		
DESPIECE DE MOTOR (4 TIEMPOS)	72-93		
DESPIECE DE MOTOR (2 TIEMPOS)	94-123		
GUIA APLICACIÓN DE BIELAS (2 / 4 TIEMPOS)	135-138		
GUIA APLICACIÓN CIGÜEÑAL (2 TIEMPOS)	134-135		
GUIA APLICACIÓN CIGÜEÑAL (4 TIEMPOS)	135		
GUIA APLICACIÓN JUNTAS DE MOTOR (2 TIEMPOS)	145		
GUIA APLICACIÓN JUNTAS DE MOTOR (4 TIEMPOS)	146		
GUIA APLICACIÓN PISTONES Y SEGMENTOS (2 T)	127-130		
GUIA APLICACIÓN PISTONES Y SEGMENTOS (4 T)	130		
GUIA RODAMIENTOS MOTOR	131-134		
JUNTAS BASE DE MOTOR (2 TIEMPOS)	143-144		
JUNTAS BASE DE MOTOR (4TIEMPOS)	144-145		
JUNTAS COLECTOR Y CARTER	151-153		
JUNTAS CULATÍN	151		
JUNTAS DE CULATA (2 TIEMPOS)	138-139		

TABLE OF CONTENTS

FUEL & FILTRATION SYSTEM	PAGE
PRIMER FUEL PUMP	48
MECHANIC FUEL PUMP	48
ELECTRIC FUEL PUMP	162
BRACKETS & FUEL FILTERS	49 - 52
THROTTLE CABLE	161
CARBURETOR ASSY	155
CARBURETOR COMPONENTS	156-157
HOSES & FUEL FITTINGS	48-49
FUEL FILTERS	49-52
GASKETS FUEL PUMP	163
CARBURETOR GASKET	156
CARBURETOR KIT	157-159
DIAFRAGM FUEL PUMP	162-163
ROD ACCELERATOR LEVER	156
ELECTRIC SYSTEM	PAGE
CUT OFF SWITCHES	69
STARTERS	63-64
TRIM & POWER TRIM	65
REGULATOR & RECTIFIERS	66
OXIGEN SENSOR	70
SOLENOIDS & RELAYS	64
IGNITION SYSTEM	PAGE
COILS	67-69
CHAMPION SPARK PLUGS	70
NGK SPARK PLUGS	71
POWER PACKS	66
IGNITION STARTER SWITCH	70
STARTOR	66
COOLING SISTEM	PAGE
WATER PUMP COMPONENTS	248-249
WATER PUMP HOUSING	247
WATER PUMP GUIDE (2 STROKE)	245-246
WATER PUMP GUIDE (4 STROKE)	244-245
IMPELLERS	221

THERMOSTAT GASKET	164-165
GASKET, EXHAUST INNER COVER	16-148
WATER PUMP SERVICE KITS	249-251
THERMOSTATS	163-164
ENGINE PARTS	PAGE
ENGINES PARTS (4 STROKE)	72-93
ENGINE PARTS (2 STROKE)	94-123
GUIDE, APPLICATION CONNECTING ROD (2 & 4 STROKE)	135-138
GUIDE APPLICATION CRANKSHAFT (2 STROKE)	134-135
GUIDE, APPLICATION CRANKSHAFT (4 STROKE)	135
GUIDE, APPLICATION CRANKSHAFT (2 STROKE)	145
GUIDE, APPLICATION GASKET KITS (4 STROKE)	146
PISTONS & RINGS APPLICATION GUIDE (2 STROKE)	127-130
PISTONS & RINGS APPLICATION GUIDE (4 STROKE)	130
GUIDE, APPLICATION ENGINE BEARING	131-134
GASKET CYLINDER (2 STROKE)	143-144
GASKET CYLINDER (4 STROKE)	144-145
GASKETS UPPER CASING, OIL PAN, MANIFOLDS	151-153
GASKETS, HEAD COVER	151
GASKET CYLINDER HEAD (2 STROKE)	138-139
GASKET CYLINDER HEAD (4 STROKE)	139-140
EXHAUST GASKET	153-155
GASKETS INTAKE SYSTEM	148-150
GASKET KIT (2 STROKE)	140-142
GASKET KIT (4 STROKE)	143
PISTONS, RINGS, PINS & BEARINGS (4 STROKE)	124
PISTONS, RINGS, PINS & BEARINGS (2 STROKE)	124-127
UNIT DRIVES & COMPONENTS	PAGE
ZINC, ALUMINIUM & MAGNESIUM ANODES	54-62
COMPLETE GEARCASE ASSEMBLY (2 & 4 STROKES)	165-167
GEARCASE COMPONENTS (4 STROKE)	168-179
GEARCASE COMPONENTS (2 STROKE)	180-220
GASKET & SEAL KITS	223-226
GUIDE, APPLICATION STERN DRIVE COMPONENTS	227-234
GUIDE, APPLICATION STERN DRIVE BEARINGS	235-244
SILENBLOCKS	222
HANDLE	222
STARTER HANDLE	221
BUSHINGS	222
PROPELLERS & APPLICATION GUIDE	252-255

INDICE

SISTEMA DI ALIMENTAZIONE E FILTRAZIONE	PAGINA
POMPE BENZINA MANUALE	48
POMPE BENZINAMECCANICHE	48
POMPE ELETTRICHE DI CARBURANTE	162
BRACKETS E FILTRO COMBUSTIBILE	49 - 52
CAVO ACCELERATORE	161
CARBURATORI	155
COMPONENTI CARBURATORE	156-157
ATTACCO E TUBO BENZINA	48-49
FILTRI BENZINA	49-52
GUARNIZIONI POMPA BENZINA	163
GUARNIZIONI CARBURATORE	156
KIT CARBURATORE	157-159
MEMBRANA POMPA BENZINA	162-163
ASTA ACCELERATORE	156

SISTEMA ELETTRICO	PAGINA
CHIAVETTA DI SICUREZZA	69
MOTORINI AVVIAMENTO	63-64
MOTORINI TRIM E TRIM POWER	65
REGOLATORI E RADRIZZATORI	66
SENSORI OSSIGENO	70
SOLENOIDI E RELE	64

SISTEMA DI ACCENSIONE	PAGINA
BOBINE	67-69
CANDELE CHAMPION	70
CANDELE NGK	71
CENTRALINE	66
CHIAVI DI ACCENSIONE	70
STARTORI	66

SISTEMA DI RAFFREDDAMENTO	PAGINA
COMPONENTI POMPA ACQUA	248-249
CORPI POMPA ACQUA	247
GUIDA POMPA ACQUA (2 TEMPI)	245-246
GUIDA POMPA ACQUA (A TEMPI)	244-245
GIRANTE	221
GUARNIZIONI TERMOSTATO	164-165
GUARNIZIONE COPERCHIO REFRIGERAZIONE	16-148
KIT RICAMBI POMPA ACQUA	249-251
TERMOSTATO	163-164

PARTI DEL MOTORE	PAGINA
PARTI DEL MOTORE (4 TEMPI)	72-93
PARTI DEL MOTORE (2 TEMPI)	94-123
GUIDA BIELLE (2 E 4 TEMPI)	135-138
GUIDA ALBERO MOTORE (2 TEMPI)	134-135
GUIDA ALBERO MOTORE (4 TEMPI)	135
GUIDA GUARNIZIONE MOTORE (2 TEMPI)	145
GUIDA GUARNIZIONE MOTORE (4 TEMPI)	146
GUIDA PISTONI E FASCE (2 TEMPI)	127-130
GUIDA PISTONI E FASCE (4 TEMPI)	130
GUIDA CUSCINETTI MOTORE	131-134
GUARNIZIONI BASE MOTORI (2 TEMPI)	143-144
GUARNIZIONI BASE MOTORI (4 TEMPI)	144-145
GUARNIZIONE COLLETTORE E CARTER	151-153
GUARNIZIONE TESTATA	151
GUARNIZIONE TESTATA (2 TEMPI)	138-139
GUARNIZIONE TESTATA (4 TEMPI)	139-140
GUARNIZIONE SCARICO	153-155
GUARNIZIONE SISTEMA ASPIRAZIONE	148-150
KIT GUARNIZIONE (2 TEMPI)	140-142
KIT GUARNIZIONE (4 TEMPI)	143
PISTONI, FASCE, BULLONI E CUSCINETTI (4 TEMPI)	124
PISTONI, FASCE, BULLONI E CUSCINETTI (2 TEMPI)	124-127

PIEDI E COMPONENTI	PAGINA
ANODI ZINCO, ALLUMINIO E MAGNESIO	54-62
PIEDI COMPLETI	165-167
COMPONENTI PIEDE (4 TEMPI)	168-179
COMPONENTI PIEDE (2 TEMPI)	180-220
KIT GUARNIZIONI E TENUTE	223-226
GUIDA RICAMBI PIEDI	227-234
GUIDA CUSCINETTI TRASMISSIONE	235-244
SILENBLOCKS	222
MANIGLIA	222
MANIGLIA DI AVVIAMENTO	221
BOCCOLE	222
ELICHE E GUIDA APPLICAZIONE	252-255

CONECTORES COMBUSTIBLE FUEL FITTINGS ATTACCHI BENZINA

BOMBA DE COMBUSTIBLE PRIMER BULB POMPA BENZINA

Ref.	Manguera Hose Tubo	Envase Pack Qnt
GS31090	5/16"	1 x blister
GS31095	3/8"	1 x blister
GS31187	1/4"	1 x blister
GS31098	8 mm	1 x bolsa / bag / borsa

GOLDENSHIP



Universal / Universale

Ref.	Manguera Hose Tubo	Envase Pack Qnt
GS31098	8 mm	1 x bolsa / bag / borsa
CEF500621	8 mm	1 x bolsa / bag / borsa

Fabricada con elastómeros termoplásticos inyectados, resistentes al alcohol y rayos UV.

Premium quality bulb resistance to alcohol as well as UV and ozone.

Fabbricata con elastomero termoplastico, resistente ai solventi e ai raggi UV.

GOLDENSHIP

gef



GS31098



CEF500621

Ref.	R.O. OEM	Manguera Hose Tubo	Envase (x bolsa) Pack (x bag) Qnt (x borsa)
GS31188		3/8"	1

GOLDENSHIP



BOMBA DE GASOLINA P3

Fabricada en Acetal rígido inyectado, resistente al alcohol y rayos UV.

PRIMER BULB P3

Premium quality bulb resistance to alcohol as well as UV and ozone.

POMBA BENZINA P3

Fabbricata in plastica rigida, resistente ai solventi e raggi UV.

LÍNEA DE COMBUSTIBLE FUEL LINE ASSEMBLY TUBO CARBURANTE

Ref.	R.O. OEM	Manguera Hose Tubo	Envase (x bolsa) Pack (x bag) Qnt (x borsa)
GS31189		3/8"	1

GOLDENSHIP



Bomba P3.

Con 2 m de manguera resistente al alcohol.

Primer P3. With 2 m alcohol resistant hose.

Pompa P3 con 2 m di tubo resistente ai solventi.

Ref.	R.O. OEM	Manguera Hose Tubo	Envase (x bolsa) Pack (x bag) Qnt (x borsa)
GS31096		5/16"	1
GS31097		3/8"	1
GS31099		8 mm	1
SIE-18-8013		5/16"	1
SIE-18-8015		3/8"	1
CEF500600		8 mm	1

Universal. Con 2 m de manguera resistente al alcohol.

Universal. With 2 m alcohol resistant hose.

Universale con 2 m di tubo resistente ai solventi.

GOLDENSHIP



GS31096 - GS31097



GOLDENSHIP

GS31099



SIE-18-8013, SIE-18-8015



gef
CEF500600

MANGUERA DE COMBUSTIBLE FUEL HOSE TUBO BENZINA

Ref.	Ø Int	Largo Length Long	Envase Pack Qn
TRI305-0566	5/16" = 7,92 mm.	15 m	Caja / Box / Cassa
TRI305-0386	3/8" = 9,53 mm.	15 m.	Caja / Box / Cassa



Manguera «Trident» para líneas de combustible. Con refuerzo termoplástico que le permite excelente flexibilidad y resistencia a los rayos UV. Color gris. Resistente al alcohol. **Especialmente indicado para motores fueraborda.** Cumple las normas: SAEJ1527, ISO-8469 Tipo B1 y Certificación CE. Garantía: 3 años

Marine fuel hose (distribution and vent) for outboards. Fuel resistant thermo-plastic formulation with 2 spiral reinforcement provides excellent bendability and resistance to UV, aging and permeation by all marine fuels (gasoline/petrol and diesel) including alcohol blends. Meets or exceeds: SAEJ1527, ISO-8469 Tipo B1 & Certification CE. Warranty: 3 years

Tubo «Trident» per línea combustibile. Con rinforzo termoplastico che gli permette un'eccellente flessibilità e resistenza ai raggi UV. Colore grigio. Resistente ai solventi. **Indicato per i motori fuoribordo.** Conforme alla norma: SAEJ1527, ISO-8469 Tipo B1 e Certificazione CE. Garanzia: 3 anni

PASAMAMPAROS THRU HULL PASSASCAFO

Ref.	R.O. OEM	Manguera Hose Tubo	Envase (x blister) Pack (x blister) Qnt (x blister)
GS31064		3/8"	1

GOLDENSHIP



Para atravesar mamparos de hasta 12mm. Fabricado en latón.
For bulkhead up to 12 mm. Made in machined brass.
Per attraversare paratie fino a 12mm. Fabricato in ottone.

CONECTORES / CONNECTOR / ATTACCO

Ref.	Rosca Thread Passo	Envase (x blister) Pack (x skinpack) Qnt (x Blister)
GS31068	1/4" NPT	1

CODO DEPOSITO

Fabricado en latón.

TANK ELBOW

Made in machined brass.

GOMITO SERBATOIO

Fabbricato in ottone.

GOLDENSHIP



Ref.	Rosca Thread Passo	Envase (x blister) Pack (x skinpack) Qnt (x Blister)
GS31069	1/4" NPT	1

CONECTOR "T"

Para conectar dos motores a un sólo depósito, o viceversa. Fabricado en latón.

CONNECTOR "T"

To connect two motors to a single deposit, or vice versa. Made in machined brass.

CONNETTORE "T"

Per collegare due motori ad un solo serbatoio, o viceversa. Fabricato in ottone.

GOLDENSHIP



CONECTOR COMBUSTIBLE FUEL CONNECTOR ATTACCO COMBUSTIBILE

Ref.	R.O.
REC6G1-24304-02	6G1-24304-02



Ref.	R.O. OEM	Manguera Hose Tubo	Envase (x blister) Pack (x blister) Qnt (x blister)
GS31074	6Y1-24305-06	1/4"	1
REC6G1-24305-05	6G1-24305-05	5/16"	1
GS31076	6E5-24305-06	3/8"	1

GOLDENSHIP



CONECTOR DOBLE DOUBLE CONNECTOR CONNETTORE DOPPIO

Ref.	R.O. OEM	Manguera Hose Tubo	Envase (x blister) Pack (x blister) Qnt (x blister)
GS31092		8 mm	1

GOLDENSHIP

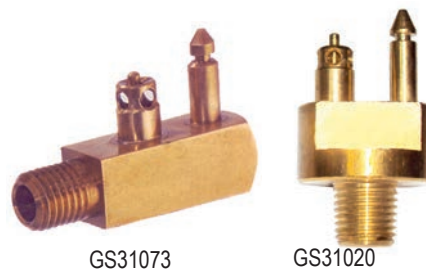


TOMA TANQUE COMBUSTIBLE FUEL TANKS CONNECTOR FILETTATURA PER SERBATOIO BENZINA

Ref.	Rosca Thread Passo	Envase (x blister) Pack (x skinpack) Qnt (x Blister)
GS31073	1/4" NPT	1
GS31020	1/4" NPT Vertical / Vertical / Verticale	1

Fabricado en latón.
Made in machined brass.
Fabbricato in ottone.

GOLDENSHIP



GS31073

GS31020

FILTROS COMBUSTIBLE Y ELEMENTOS FUEL FILTERS AND ELEMENTS SUPPORTI, FILTRI BENZINA E RACCORDI

BRACKET / BRACKET / SUPPORTO

Ref.	Braket Bracket Supporto	Tomas NTPF Ports Filetto
REC25000	Aluminio / Aluminium / Alluminio	1/4"
GLM25010	INOX AISI316 / S.S. AISI316	1/4"
GLM25020	Aluminio / Aluminium / Alluminio	3/8"
GLM25030	INOX AISI316 / S.S. AISI316	3/8"
RECOBRACKET	Plástico / Plastic / Plastica	1/4"

Con 2 tapones de bronce y 2 tubos de extensión.
(2 entradas y 2 salidas).

With 2 brass plugs and 2 extension tubes.

(2 inputs & 2 outputs).

Con 2 tappi di bronzo e 2 tubi di estensione.

(2 ingressi entrata carburante e 2 uscite carburante).



REC25000 - GLM25020

GLM25010 - GLM25030

RECOBRACKET

**FILTRO COMBUSTIBLE
SEPARADOR DE AGUA
WATER SEPARATING FUEL FILTER
FILTRO SEPARATORE ACQUA-BENZINA**

Ref.	Micras Micron Micron	Altura Height Altezza
REC24942	10	4-7/16"
REC35-802893Q01	10	3-3/4"
REC855686	28	4-7/16"
REC35-802893Q	25	3-3/4"
RACPF5510	10	4-7/16"

RACOR



RACPF5510

RECMAR



REC24942 REC35-802893Q01 REC855686 REC35-802893Q

**FILTRO ORIGINAL
OEM FILTER
FILTRO BENZINA ORIGINALE**

Ref.	Micras Micron Micron	Altura Height Altezza
RM35-802893Q	10	3-3/4"



REC35-802893Q

**FILTRO CON BRACKET
OEM FILTER WITH BRACKET
FILTRO BENZINA CON SUPPORTO**

Ref.	Micras Micron Micron	Tomas NPTF Ports Filetto	Flujo Flow Flusso
REC24950	25	1/4"	50 GPH
REC24952	10	1/4"	50 GPH

Bracket de Aluminio. Con 2 tapones de bronce y 1 tubo de extensión.
Cast Aluminium Bracket. With 2 brass plugs & 1 extension tube.
Supporto in alluminio. Con 2 tappi di bronzo e 1 tubo di estensione.



REC24950



REC24952

Ref.	Micras Micron Micron	Tomas NPTF Ports Filetto	Flujo Flow Flusso
GLM24960	28	1/4"	50 GPH
GLM24956	28	1/4"	50 GPH
GLM24957	10	1/4"	50 GPH

Bracket Inox. AISI316. Con 2 tapones de bronce y 2 tubos de extensión.
With S.S. AISI316 Bracket. With 2 brass plugs & 2 extension tubes.
Supporto Inox AISI316. Con 2 tappi di bronzo e 2 tubi di estensione.



GLM24960
Bracket rojo
Red Bracket
Supporto rosso



GLM24956



GLM24957

**FILTRO DECANTADOR COMBUSTIBLE
CON VASO TRANSPARENTE
COMPLETE FUEL FILTER WITH
TRANSPARENT BOWL
FILTRO DI DECANTAZIONE BENZINA
COMPLETO CON VASCHETTA
TRASPARENTE**

Ref.	Elemento Element Cartuccia	Bracket
RAC320R-RAC-01	RACS3213	Aluminio / Alluminum / Auminio
RAC320R-RAC-03		Plastico / Plastic / Plastica



Incluye soporte
Includes bracket.
Con supporto

RACOR

Filtro completo Compleat filter Filtro completo	Cartucho recambio Replacement element Cartuccia di ricambio	Capacidad Máx. Max. Capacity Capacità massima
RECOBFILTER	RECOBLEMENT	150 l/h



RECMAR

Filtro completo Compleat filter Filtro completo	Cartucho recambio Replacement element Cartuccia di ricambio	Capacidad Máx. Max. Capacity Capacità massima
REC90794-46866	REC90794-46868	117l/h



RECMAR

**LLAVE PARA FILTRO
FILTER KEY
CHIAVE DA FILTRO**

Ref.
RECY5-225-15



Filtro completo Compleat filter Filtro completo	Micras Micron Micron	Rosca Thread Filettatura	Capacidad Máx. Max. Capacity Capacità massima
RAC490R-RAC-01	10	3/8" NPTF	340 l/h



RACOR

CON PURGADOR. Para motores fueraborda superiores a 150 HP.
WITH PRIMING PUMP. For outboards engines more than 150 HP.
CON POMPETTA PER RIEMPIRE IL FILTRO.
Per motori fuoribordo superiori a 150 hp.

Ref.	R.O. / OEM
RACS3227	YMM-2E227-00 YMM-2E227-01

ELEMENTO DE RECAMBIO
Para filtros originales Yamaha.
FILTER ELEMENT
Element for original filters Yamaha.
CARTUCCIA DI RICAMBIO
Per filtri originali Yamaha.



RACORS / RACORS / RACCORDO

Ref.	Rosca Thread Passo	Manguera Hose Tubo	Envase (x blister) Pack (x skinpack) Qnt (x blister)
GS31065	1/4" NPT	3/8" = 9.5 mm	2
GS31166	1/4" NPT	5/16" = 7.9 mm	2
GS31155	3/8" NPT	3/8" = 9.5 mm	2
GS31156	3/8" NPT	5/16" = 7.9 mm	2
GS31157	3/8" NPT	1/4" = 6.4 mm	2

Racor 90° fabricado en latón.

Made in machined brass.

Raccordo 90° prodotto in ottone

GOLDENSHIP



Ref.	Rosca Thread Passo	Manguera Hose Tubo	Envase (x blister) Pack (x skinpack) Qnt (x blister)
GS31066	1/4" NPT	5/16" = 7.9 mm	2
GS31067	1/4" NPT	3/8" = 9.5 mm	2

Fabricado en latón.

Made in machined brass.

Prodotto in ottone

GOLDENSHIP



FILTRO COMBUSTIBLE EN LÍNEA INLINE FUEL FILTER FILTRO COMBUSTIBILE IN LINEA

Ref.	Capacidad Capacity Capacità	Manguera Hose Tubo	Envase (x blister) Pack (x skinpack) Qnt (x blister)
GS31001	50 lt/h	6-8 mm	1 x skinpack
GS31002	150 lt/h	8-10 mm	1 x skinpack

Filtro transparente para gasolina o gasoil.

Transparent plastic in line filter for petrol and diesel.

Filtro trasparente per benzina o diesel

GOLDENSHIP



Ref.	Manguera Hose Tubo	Envase (x blister) Pack (x skinpack) Qnt (x blister)
GS30435	6, 8, 10 mm	1

FILTRO TRANSPARENTE

De metal y cristal. Racors para

mangueras de 6-8-10 mm.

TRANSPARENT FILTER

Clear body permits visual

inspection. Racors 6-8-10 mm.

FILTRO TRASPARENTE

Di metallo e vetro. Montaggio in linea. Raccordi per tubo da 6-8-10 mm.

GOLDENSHIP



Ref.	Ø Manguera / Ø Hose / Ø Tubo
REC40145	1/4"
REC40155	5/16"
REC40165	3/8"
REC40135	5/16" Entrada In Entrata 3/8" Salida Out Uscita

De plástico / Plastic / In plastica



Ref.	R.O.
REC35-80365M	646-24251-02

MOTORES / ENGINES / MOTORI

6 (1989, 1992-99)
8 (1989-99, 2001-02)
F4 (1999-02)
F9.9 (1989-95, 1997-99, 2001-02)
FT 9.9 (1988-90)



Ref.	R.O.
REC65L-24563-00	65L-24563-00

MOTORES / ENGINES / MOTORI

F200 (2002-06) 225FETO (2003)
F150 (2004-06) L/250B (1997-2003)



Ref.	R.O.
REC6BG-13915-00	6BG-13915-00

MOTORES / ENGINES / MOTORI

F30 (2013) F75 (2005-13)
F40 (2008-13) F90 (2005-13)
F50 (2005-13) T50 (2005-13)
F60 (2005-13) T60 (2005-13)
F70 (2010-13)



Ref.	R.O.
REC6P3-WS24A-00	6P3-WS24A-00

MOTORES / ENGINES / MOTORI

F150 (2007-11) F350 (2008-11)
Z200 (2007) F250 (2009-11)
Z150/175 (2007) Z300 (2009-11)
F225 (2007-11) F300 (2011)
F200 (2007-11)



Ref.	R.O.
REC68F-24563-10	68F-24563-10

MOTORES / ENGINES / MOTORI

150-300HP (2004-06)
Z, VZ, LZ



Ref.	R.O.
PAF4-04120005	6L5-24251-00

MOTORES / ENGINES / MOTORI

3 (1992-02)
F2.5 (2003-12)
F4 (1999-08)



Ref.	R.O.
REC61A-24563-00	61A-24563-00

MOTORES / ENGINES / MOTORI

V6, 3'1L, D-T



Ref.	R.O.
REC69J-24501-10	69J-24501-10

MOTORES / ENGINES / MOTORI

F150-F225 (2006-14)
F250 (2005-14)



Ref.	R.O.
REC6F5-24563-00	6F5-24563-00

MOTORES / ENGINES / MOTORI

9.9 HP



Ref.	R.O.
REC6D8-WS24A-00	6D8-WS24A-00

MOTORES / ENGINES / MOTORI

F50-F115



Ref.	R.O.
REC68T-24251-00	68T-24251-00

MOTORES / ENGINES / MOTORI

F6, F8 (01+)



Ref.	R.O.
REC6C5-13915-00	6C5-13915-00

MOTORES / ENGINES / MOTORI

F50 (2005-13) F90 (2005-13)
F60 (2005-13) T50 (2005-13)
F70 (2010-13) T60 (2005-13)
F75 (2005-13)



Ref.	R.O.
PAF15-07080000	61N-24560-00

MOTORES / ENGINES / MOTORI

15-60HP



YAMAHA

**RECAMBIOS
MARINOS S.L.**

Ref.	R.O.
REC61N-24563-10	6IN-24563-10

MOTORES / ENGINES / MOTORI
9.9HP SX



Ref.	R.O.
REC68V-24563-00	68V-24563-00

**MOTORES EUROPEOS
EUROPEAN ENGINES
MOTORI EUROPEI**

F40 F80
F50 F100
F60 F115



**FILTRO CARBURADOR
ELEMENT, FILTER (CARB INLET)
FILTRO CARBURATORE**

Ref.	R.O.
REC67F-14371-01	67F-14371-01

MOTORES / ENGINES / MOTORI

F75 (2003-04) F90 (2003-04)
F80 (2002-03) F100 (2002-03)



**JUNTA FILTRO COMBUSTIBLE
GASKET FUEL FILTER BOWL
GUARNIZIONE FILTRO BENZINA**

Ref.	R.O.
REC6P3-24564-00	6P3-24564-00

MOTORES / ENGINES / MOTORI

F/LF 150 - F300 VZ150 - VZ300(2006-14)
(2006-14) Z200 - Z300 (2006-14)



**FILTRO VST
VST FILTER
FILTRO VST**

Ref.	R.O.
REC68F-13915-00	68F-13915-00

MOTORES / ENGINES / MOTORI

HPDI 150 (2000-05)
V-Max HPDI 150 (2000-09)
HPDI 225 (2003-09)
HPDI 250 (2003-09)
HPDI 300 (2004-09)



Ref.	R.O.
REC66K-13915-00	66K-13915-00

MOTORES / ENGINES / MOTORI

DX150 (1999-05) LX225 (2000-03)
LX150 (1999-01) S225 (1999)
PX150 (1999) SX225 (2000-03)
SX150 (1999-04) V225 (1999)
VX150 (2000-04) VX225 (2000-04)
LX200 (1999-01) L250 (1999)
SX200 (1999-05) LX250 (2000-03)
V200 (1999) SX250 (2000-03)
VX200 (2000-05) VX250 (2002-04)
L225 (1999)



Ref.	R.O.
REC63P-13915-00	63P-13915-00

MOTORES / ENGINES / MOTORI

F150 TXR (2004-09) F300 TXR (2007-09)
F150 TLR (2004-09) F300 TUR (2007-09)
F150 TJR (2009) F350 TXR (2007-09)
LF150 TXR (2004-09) F350 TUR (2007-09)
F250 TXR (2005-09) F225 TLR (2007-09)
F250 TUR (2005-09)



Ref.	R.O.
REC65L-13915-00	65L-13915-00

MOTORES / ENGINES / MOTORI

L225 (1997-98) V200 (1998)
S225 (1997-98) V225 (1998)
L250 (1997-98)



Ref.	R.O.
REC60V-24251-01	60V-24251-01

MOTORES / ENGINES / MOTORI

LZ150 (2005) VZ225 (2005-09)
VZ150 (2005-10) LZ250 (2005)
Z150 (2005) VZ250 (2005-09)
VZ175 (2005-10) Z250 (2005)
Z175 (2005) LZ300 (2005-06)
LZ200 (2005-10) VZ300 (2005-09)
VZ200 (2005-09) Z300 (2005-06)
Z200 (2005-10)



Ref.	R.O.
REC68V-13915-00	68V-13915-00

MOTORES / ENGINES / MOTORI

F115 (2000-09) F225 TXR (2002-09)
F200 TXR (2002-09) F225 TUR (2002-09)
LF200 TXR (2002-09)



MODELO / MODEL / MODELLO					R.O. / Replaces	Ref.
3A	F4A				6L5-24251-00	PAF4-04120005
4A	F4A	5C	6C/D	8C	646-24251-02	REC35-80365M
F8B	F9.9A/B	FT9.9A	and all HPDI Models		68T-24251-00	REC68T-24251-00
FT8D						
9.9D	15D	20C/D	25D/J/N/Q	30A/D/G		
40H/Q	50D/G	55B	60F	70B		
75A	80A	85A	90A/100A	115B/C/(L)	6F5-24563-00	REC6F5-24563-00
130B/(L)	150C/(L)	175B	200B/PRO	200V		
225B(--93)						
9.9C/D/F	15C/D/F	20/D/F	25B/D/J/N/Q/V	30D/GH		
40H/Q/V/X/Y/F	40A/B/F	45A/F	50A/B/FT	50A		
50D/G/H/PRO	50	55B	60F	70B		
75A/C/PRO	75/80A	85A	90A	100A/	61N-24563-10	REC61N-24563-10
PROV	100/115B/C/(L)	130B/D	150H/ (L)	150C/(L)		
150F	175B/D/(L)	200B/(L)	200F/G/PROV	200/225B/D		
('94)						
FT	9.9D	F9.9C/F	15A/F	20A/F	65W-24251-00	REC40145
25A/FT	25B/F	30A/F	40B			
F80A	F100A				67F-24251-02	REC40165
F40C	F50F	FT50C/G/F	60A/C/FT	60B/D/F	68V-24563-00	REC68V -24563-00
80B/F	100D/F(L)	115A				
150A/(L)	225C/(L)	250A			61A-24563-00	REC61A-24563-00
225G/(L)	250B/F(L)	150A/F(L)	200A/F(L)	225A/F(L)	65L-24563-00	REC65L-24563-00
250A						
All HPDI Models (Fuel Strainer)					60V-24251-01	REC60V-24251-01

FILTROS ACEITE OIL FILTERS FILTRI OLIO

Ref.	R.O.
REC61A-13411-00	61A-13411-00

MOTORES / ENGINES / MOTORI

Z250TR	TXR (2000-03)
DETO	225G-GETOL (99-2003)
FETO (2003-07)	Z300 AETO
250B	TXR (04-2007)
AETO (93-2006)	L250G-GETOX (06-2010)
L250B	



Ref.	R.O.
REC6E5-13411-00	6E5-13411-00

MOTORES / ENGINES / MOTORI

V-Z 200T	Z1200F-FETO (96-2010)
PETO	225D-DETOX (2000-03)
TLR (2001-07)	115 B
Z150 F	BET (88-2002)
TXRA	130BETO (91-2001)
PETOLX (96-2007)	115CETO
175D	TLR
DETO (96-2003)	TXR (91-2013)

Ref.	R.O.
REC6J8-13411-00	6J8-13411-00

MOTORES / ENGINES / MOTORI

25Q-QEO (1990-94)	FETO
50	L (89-2013)
G-GEO-GETOL (93-2007)	70BETO
50H-HR-MDO (96-2002)	B
40V-MH-MD	BEMO (89-2013)
VETO	25J
VE-O (95-2013)	JEQ
40YETO-YETOL (2005-07)	JETO
30DETOL	NEM
DEOS	W (88-2013)
MH (2011-13)	20D
GOLTRA	EM-ML
F	W (88-2013)



Ref.	R.O.
REC68F-13440-00	68F-13440-00

MOTORES / ENGINES / MOTORI

LZ	TLR (2001-07)
LZ300	Z250
TR	TXR
AETO-X-V (2004-07)	DETO
Z175TR	X (2003-07)
GETO-X (2002-07)	Z150P
V	TXR
Z200T	PETO (2000-07)
PETO	



Ref.	R.O.
REC6G8-13440-00	6G8-13440-00

MOTORES / ENGINES / MOTORI

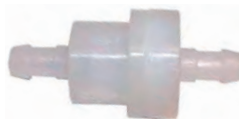
F8	
F/FT 9.9	



Ref.	R.O.
REC35-80365M	646-24251-02

MOTORES / ENGINES / MOTORI

L150	250
L200	115
225	130
175	



Ref.	R.O.
REC35-822626A15	69J-13440-00

MOTORES / ENGINES / MOTORI

F150 (2004-06)	F225 (2002-06)
F200	F250 (2005-06)



Ref.	R.O.
REC5GH-13440-00	5GH-13440-00

MOTORES / ENGINES / MOTORI

F15 (2000-05)	T6 (2003-05)
F	F75 (2003-05)
T25 (2000-05)	F80 (2000-03)
F40 (2000-05)	F90 (2003-05)
F50 (2000-05)	F100 (2000-02)
F60 (2002-05)	LF115 (2000-05)



Ref.	R.O.	Rosca Tread Passo
REC26-13440-00	N26-13440-00	3/4" x 16NNPT

MOTORES / ENGINES / MOTORI

F300	
F350	



Ref.	R.O.
REC3FV-13440-00	REC3FV-13440-00

MOTORES / ENGINES / MOTORI

F15 (98-1999)	FT50 (95-1999)
F40 (99-2001)	F80 (1999+)
F25 (98-1999)	F100 (99-2000)



MODELO MODEL MODELLO	AÑO YEAR ANNO	R.O. Replaces	Ref.
F9.9 T9.9	2006-2013	5GH-13440-00	REC5GH-13440-00
F8B T9.9	1990-2005	6G8-13440-00	REC6G8-13440-00
F15	1998-1999	3FV-13440-00	REC3FV-13440-00
F13,5 F15	2000-2013	5GH-13440-00	REC5GH-13440-00
F20 F25	1998-1999	3FV-13440-00	REC3FV-13440-00
F25 T25	2000-2013	5GH-13440-00	REC5GH-13440-00
F30	2001-2013	5GH-13440-00	REC5GH-13440-00
F40	1990-2000	3FV-13440-00	REC3FV-13440-00
F40 F45A	2001-2013	5GH-13440-00	REC5GH-13440-00
F50 T50	1995-1999	3FV-13440-00	REC3FV-13440-00
F50 T50	2000-2005	5GH-13440-00	REC5GH-13440-00
F60 T60	2002-2005	5GH-13440-00	REC5GH-13440-00
F70 F75 F90	2003-2013	5GH-13440-00	REC5GH-13440-00
F80 F100	1999	3FV-13440-00	REC3FV-13440-00
F80	2000-2013	5GH-13440-00	REC5GH-13440-00
F100	2000-2003	5GH-13440-00	REC5GH-13440-00
F115	2001-2013	5GH-13440-00	REC5GH-13440-00
F150	2004-2006	69J-13440-00	REC35-822626Q15
F200 F225	2002-2006	69J-13440-00	REC35-822626Q15
F250	2005-2006	69J-13440-00	REC35-822626Q15
F300 F350	2008-UP	N26-13440-00	REC26-13440-00
WAVERRUNNERS			
FX40 FX140		5GH-13440-00	REC5GH-13440-00
FXCRUISER		5GH-13440-00	REC5GH-13440-00

YAMAHA

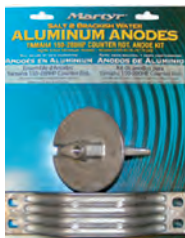
RECAMBIOS
MARINOS S.L.

ÁNODOS / ANODES / ANODI

KIT ANODOS PARA FUERABORDAS KIT ANODES FOR OUTBOARDS KIT ANODI PER FUORIBORDO

Ref.	
CMY150KITA	Aluminio / Aluminium / Alluminio
CMY150KITM	Magnesio / Magnesium / Magnesio
CMY150CRKITA	Aluminio / Aluminium / Alluminio
CMY150CRKITM	Magnesio / Magnesium / Magnesio

MOTORES / ENGINES / MOTORI
150-200 HP



CMY150KITA, CMY150KITM



CMY150CRKITA, CMY150CRKITM
Contrarrotación
Counter rotation
Contro-rotante

Ref.	
CMY200250KITA	Aluminio / Aluminium / Alluminio
CMY200250KITM	Magnesio / Magnesium / Magnesio

MOTORES / ENGINES / MOTORI
200-250 HP



Ref.	
CMY200300KITA	Aluminio / Aluminium / Alluminio
CMY200300KITM	Magnesio / Magnesium / Magnesio

MOTORES / ENGINES / MOTORI
200-300 HP



ANODOS / ANODES / ANODI

Ref.	R.O.	Peso Weight Peso
CM15026	6E5-11325-00 Cinc / Zinc / Zinco	0,010 kg
CM15026A	6E5-11325-00 Aluminio / Aluminium / Alluminio	0,005 kg

MOTORES / ENGINES / MOTORI
100 - 225 HP



Ref.	R.O.	Peso Weight Peso
CM6U4-45251-00	Cinc / Zinc / Zinco	0,27 kg

MOTORES / ENGINES / MOTORI
Serie TD



Ref.	R.O.	Peso Weight Peso
CM6G5-45251-01	6G5-45251-01 Cinc / Zinc / Zinco	0,91 kg
CM6G5-45251-01A	6G5-45251-01 Aluminio / Aluminium / Alluminio	0,37 kg

MOTORES / ENGINES / MOTORI

Serie MALTA 2/4, 3.5 HP
2B/3, A/4, A/5C, 150/200 HP



Ref.	R.O.	Peso Weight Peso
CM6H1-45251-02	6H14525102 Cinc / Zinc / Zinco	0,49 kg
CM6H1-45251-02A	6H14525102 Aluminio / Aluminium / Alluminio	0,20 kg

MOTORES / ENGINES / MOTORI

Serie TOP 700



Ref.	R.O.	Peso Weight Peso
CM68V-11325-01	68V-11325-01 Cinc / Zinc / Zinco	0,07 kg
CM68V-11325-01A	68V-11325-01 Aluminio / Aluminium / Alluminio	0,03 kg



Ref.	R.O.	Peso Weight Peso
CM68T-45251-00	68T-45251-00 Cinc / Zinc / Zinco	0,10 kg
CM68T-45251-00A	68T-45251-00 Aluminio / Aluminium / Alluminio	0,04 kg



Ref.	R.O.	Peso Weight Peso
CM6E5-45251-00	Cinc / Zinc / Zinco	0,10 kg
CM6E5-45251-00A	Aluminio / Aluminium / Alluminio	0,05 kg



Ref.	R.O.	Peso Weight Peso
CM6E0-45251-11	6EO-45251-11-00 Cinc / Zinc / Zinco	0,10 kg
CM6E0-45251-11A	6EO-45251-11-00 Aluminio / Aluminium / Alluminio	0,04 kg

MOTORES / ENGINES / MOTORI

40 HP



Ref.	R.O.	Peso Weight Peso
CM67C-45251-00	67C-45251-00 Cinc / Zinc / Zinco	0,12 kg

MOTORES / ENGINES / MOTORI

Fuerabordas / Outboards /



Ref.	R.O.	Peso Weight Peso
CM3082523	689-11325-00 Cinc / Zinc / Zinco	0,03 kg



Ref.	R.O.	Peso Weight Peso
CM41106-ZW000	Cinc / Zinc / Zinco	0,03 kg

MOTORES / ENGINES / MOTORI
2-25 HP



Ref.	R.O.	Peso Weight Peso
CM688-45251-01	688-45251-01 Cinc / Zinc / Zinco	0,03 kg
CM688-45251-01A	688-45251-01 Aluminio / Aluminium / Alluminio	0,01 kg

MOTORES / ENGINES / MOTORI
Serie 2-115
60, 85, 115



Ref.	R.O.	Peso Weight Peso
CM6H1-45251-01	6H1-45251-01 Cinc / Zinc / Zinco	0,56 kg



Ref.	R.O.	Peso Weight Peso
CM825171	Cinc / Zinc / Zinco	0,29 kg

MOTORES / ENGINES / MOTORI
30-40 HP



Ref.	R.O.	Peso Weight Peso
CM62Y-11325-00	62Y-11325-00 Cinc / Zinc / Zinco	0,02 kg

MOTORES / ENGINES / MOTORI
40-200 HP



Ref.	R.O.	Peso Weight Peso
CM6L5-45251-02	6L5-45251-02 Cinc / Zinc / Zinco	0,06 kg
CM6L5-45251-02A	6L5-45251-02 Aluminio / Aluminium / Alluminio	0,03 kg

MOTORES / ENGINES / MOTORI
3,5 HP



Ref.	R.O.	Peso Weight Peso
CM6G1-45251-03	6G1-45251-03 Cinc / Zinc / Zinco	0,17 kg

MOTORES / ENGINES / MOTORI
6C - 6D - 8C



Ref.	R.O.	Peso Weight Peso
CM42121	Cinc / Zinc / Zinco	0,03 kg

MOTORES / ENGINES / MOTORI
6 - 9.9 HP



Ref.	R.O.	Peso Weight Peso
CM6E8-45251-00	6E8-45251-00 Cinc / Zinc / Zinco	0,06 kg

MOTORES / ENGINES / MOTORI
9.9 HP



Ref.	R.O.	Peso Weight Peso
CM6E8-45251-01	6E8-45251-02 Cinc / Zinc / Zinco	0,15 kg

MOTORES / ENGINES / MOTORI
9.9 - 15 HP



Ref.	R.O.	Peso Weight Peso
CM6G8-45251-01	6G8-45251-00 Cinc / Zinc / Zinco	0,20 kg

MOTORES / ENGINES / MOTORI
9.9 HP



Ref.	R.O.	Peso Weight Peso
CM66M-45371-00	66M-45371-00 Cinc / Zinc / Zinco	0,08 kg

MOTORES / ENGINES / MOTORI
9.9 HP - 4T



Ref.	R.O.	Peso Weight Peso
CM6G1-45251-02	6G1-45251-02 Cinc / Zinc / Zinco	0,03 kg

MOTORES / ENGINES / MOTORI
6 - 8 HP



Ref.	R.O.	Peso Weight Peso
CM6U0-45251-00	6U0-45251-00 Cinc / Zinc / Zinco	1,50 kg

MOTORES / ENGINES / MOTORI
Fuerabordas / Outboards / Fuoribordo



Ref.	R.O.	Peso Weight Peso
CM6T4-45836-00	6T4-45836-00 Cinc / Zinc / Zinco	1,44 kg

MOTORES / ENGINES / MOTORI
V8



Ref.	R.O.	Peso Weight Peso
CM6T5-45373-00	6T5-45373-00 Cinc / Zinc / Zinco	1,07 kg

MOTORES / ENGINES / MOTORI
130 - 260 HP



Ref.	R.O.	Peso Weight Peso
CM15008	66M-11325-00 Cinc / Zinc / Zinco	0,014 kg
CM15008A	66M-11325-00 Aluminio / Aluminium / Alluminio	0,006 kg

MOTORES / ENGINES / MOTORI
9.9 HP



Ref.	R.O.	Peso Weight Peso
CM67F-11325-00	67F-11325-00 Cinc / Zinc / Zinco	0,06 kg

MOTORES / ENGINES / MOTORI
80 - 100 HP



Ref.	R.O.	Peso Weight Peso
CM63D-45251-01	63D-45251-01 Cinc / Zinc / Zinco	0,54 kg



Ref.	R.O.	Peso Weight Peso
CM67C-45371-00	67C-45371-00 Cinc / Zinc / Zinco	0,21 kg

MOTORES / ENGINES / MOTORI
F25 - F40 - F50 - F60



Ref.	R.O.	Peso Weight Peso
CM6E5-45371-10	6E5-45371-10 Cinc / Zinc / Zinco	0,23 kg

MOTORES / ENGINES / MOTORI
60 - 225 HP



Ref.	R.O.	Peso Weight Peso
CM6G8-11325-00	6G8-11325-00 Cinc / Zinc / Zinco	0,02 kg

MOTORES / ENGINES / MOTORI
2.5 - 9.0 HP



Ref.	R.O.	Peso Weight Peso
CM85007	688-11325-00 Cinc / Zinc / Zinco	0,010 kg
CM85007A	688-11325-00 Aluminio / Aluminium / Alluminio	0,004 kg

MOTORES / ENGINES / MOTORI
25 - 90 HP



Ref.	R.O.	Peso Weight Peso
CM61A-45371	61A-45371-00 Cinc / Zinc / Zinco	0,63 kg
CM61A-45371-00A	61A-45371-00 Aluminio / Aluminium / Alluminio	0,25 kg

MOTORES / ENGINES / MOTORI
250A



Ref.	R.O.	Peso Weight Peso
CM61N-45251-01	61N-45251-01 Cinc / Zinc / Zinco	0,26 kg
CM61N-45251-01A	61N-45251-01 Aluminio / Aluminium / Alluminio	0,10 kg

MOTORES / ENGINES / MOTORI
4T, 9.9, 15F, 25HP



Ref.	R.O.	Peso Weight Peso
CM664-45371-01	664-45371-01A Cinc / Zinc / Zinco	0,28 kg
CM664-45371-01A	664-45371-01A Aluminio / Aluminium / Alluminio	0,11 kg

MOTORES / ENGINES / MOTORI
20, 25, 30 HP



Ref.	R.O.	Peso Weight Peso
CM82795M	Cinc / Zinc / Zinco	0,19 kg
CM82795MA	Aluminio / Aluminium / Alluminio	0,07 kg

MOTORES / ENGINES / MOTORI
25, 30 HP



Ref.	R.O.	Peso Weight Peso
CM688-45371-02	688-45371-02 Cinc / Zinc / Zinco	0,48 kg
CM688-45371-02A	688-45371-02 Aluminio / Aluminium / Alluminio	0,19 kg

MOTORES / ENGINES / MOTORI
60, 90 HP



Ref.	R.O.	Peso Weight Peso
CM679-45251-00	679-45251-00 Cinc / Zinc / Zinco	0,56 kg

MOTORES / ENGINES / MOTORI
55 HP



Ref.	R.O.	Peso Weight Peso
CM6J9-45371-01	6J9-45371-01 Cinc / Zinc / Zinco	0,50 kg
CM6J9-45371-01A	6J9-45371-01 Aluminio / Aluminium / Alluminio	0,20 kg

MOTORES / ENGINES / MOTORI
150, 200 HP



Ref.	R.O.	Peso Weight Peso
CM6K1-45371-02	6J9-45371-02 Cinc / Zinc / Zinco	0,50 kg
CM6K1-45371-02A	6J9-45371-02 Aluminio / Aluminium / Alluminio	0,21 kg

MOTORES / ENGINES / MOTORI
150, 200 HP
Contra-rotación
Counter rotation
Contro-rotante



Ref.	R.O.	Peso Weight Peso
CM69L-45371-00	69L-45371-00 Cinc / Zinc / Zinco	0,52 kg
CM69L-45371-00A	69L-45371-00 Aluminio / Aluminium / Alluminio	0,21 kg



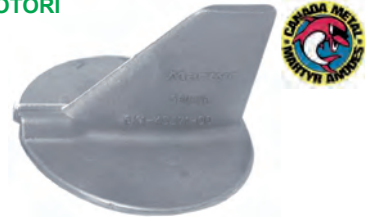
Ref.	R.O.	Peso Weight Peso
CM6T5-45371-00	6T5-45371-00 Cinc / Zinc / Zinco	0,52 kg

MOTORES / ENGINES / MOTORI
130, 160 HP



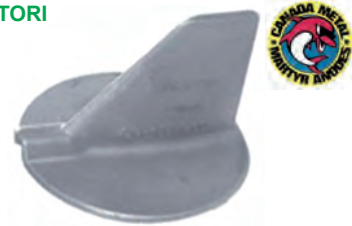
Ref.	R.O.	Peso Weight Peso
CM6E5-45371-01	6E5-45371-01 Cinc / Zinc / Zinco	0,42 kg
CM6E5-45371-01A	6E5-45371-01 Aluminio / Aluminium / Alluminio	0,17 kg

MOTORES / ENGINES / MOTORI
115 - 225 HP (V-4 - V6)



Ref.	R.O.	Peso Weight Peso
CM6K1-45371-00	6K1-45371-00 Cinc / Zinc / Zinco	0,42 kg
CM6K1-45371-00A	6K1-45371-00 Aluminio / Aluminium / Alluminio	0,17 kg

MOTORES / ENGINES / MOTORI
115 - 225 HP (V-4 - V6)
Contra-rotación
Counter rotation
Contro-rotante



Ref.	R.O.	Peso Weight Peso
TEN01109	Cinc / Zinc / Zinco	0,020 kg

MOTORES / ENGINES / MOTORI
Serie 2 - 115 HP
Mariner / Yamaha 2 - 25 HP



Ref.	R.O.	Peso Weight Peso
TEN01110	688-45251-01 Cinc / Zinc / Zinco	0,040 kg

MOTORES / ENGINES / MOTORI
Serie 2 - 115 HP
Yamaha 60 - 85 - 115 HP



Ref.	R.O.	Peso Weight Peso
TEN01111	Cinc / Zinc / Zinco	0,210 kg

MOTORES / ENGINES / MOTORI
Serie 2 - 115 HP
Mariner 40 HP
Yamaha 70 - 85 HP



Ref.	R.O.	Peso Weight Peso
TEN01127	676-45251-00 Ø 20 mm	0,020 kg
TEN01128	823913 Ø 24 mm	0,020 kg

MOTORES / ENGINES / MOTORI
Ánodo motor.
Anode for engine.
Anodo motore.



YAMAHA

**RECAMBIOS
MARINOS S.L.**

Ref.	R.O.	Peso Weight Peso
TEN01165	63P-11325-21-00 Cinc / Zinc / Zinco	0,030 kg



Ref.	R.O.	Peso Weight Peso
TEN01148	6G8-11325-00 Cinc / Zinc / Zinco	0,010 kg

MOTORES / ENGINES / MOTORI
Serie 2,5 - 9,0 HP



Ref.	R.O.	Peso Weight Peso
TEN01161	6BL-11325-00 Cinc / Zinc / Zinco	0,020 kg

MOTORES / ENGINES / MOTORI
Anodo motor.
Anode for engine.
Anodo motore.



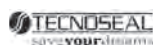
Ref.	R.O.	Peso Weight Peso
TEN01163	6BT-11325-00 Cinc / Zinc / Zinco	0,020 kg

MOTORES / ENGINES / MOTORI
Anodo motor.
Anode for engine.
Anodo motore.



Ref.	R.O.	Peso Weight Peso
TEN01149	62Y-11325-00 Cinc / Zinc / Zinco	0,020 kg

MOTORES / ENGINES / MOTORI
Serie 40 - 200 HP



Ref.	R.O.	Peso Weight Peso
TEN01150	6J8-11325-00 Cinc / Zinc / Zinco	0,020 kg

MOTORES / ENGINES / MOTORI
Serie 20 - 25 HP



Ref.	R.O.	Peso Weight Peso
TEN01168	61A-11325-00 Cinc / Zinc / Zinco	0,020 kg



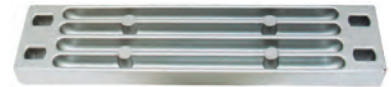
Ref.	R.O.	Peso Weight Peso
TEN01112	6G5-45251-01 Cinc / Zinc / Zinco 6G5-45251-02	0,900 kg

MOTORES / ENGINES / MOTORI
Anodo barra motor.
Anode bar for engine.
Anodo barra motore.



Ref.	R.O.	Peso Weight Peso
TEN01112-1	6AW-45251 Cinc / Zinc / Zinco	0,650 kg

MOTORES / ENGINES / MOTORI
Anodo barra motor.
Anode bar for engine.
Anodo barra motore.



Ref.	R.O.	Peso Weight Peso
TEN01113	6H1-45251-01 Cinc / Zinc / Zinco	0,550 kg

MOTORES / ENGINES / MOTORI
Serie Yamaha 60 - 90 HP
Anodo barra motor.
Anode bar for engine.
Anodo barra motore.



Ref.	R.O.	Peso Weight Peso
TEN01115	6H1-45251-03 Cinc / Zinc / Zinco	0,460 kg

MOTORES / ENGINES / MOTORI
Serie Yamaha TOP 700
Anodo barra motor.
Anode bar for engine.
Anodo barra motore.



Ref.	R.O.	Peso Weight Peso
TEN01125	6H1-45251-03 Cinc / Zinc / Zinco	1,200 kg

MOTORES / ENGINES / MOTORI
Serie 150 - 200 HP
Anodo barra motor.
Anode bar for engine.
Anodo barra motore.



Ref.	R.O.	Peso Weight Peso
TEN01126	Cinc / Zinc / Zinco	0,290 kg

MOTORES / ENGINES / MOTORI
Serie 30 - 40 HP
Anodo barra motor.
Anode bar for engine.
Anodo barra motore.



Ref.	R.O.	Peso Weight Peso
TEN01120	6T5-45373-00-00 Cinc / Zinc / Zinco	0,770 kg

MOTORES / ENGINES / MOTORI
Serie Yamaha 130 - 205, 230 - 260
Anodo motor.
Anode for engine.
Anodo motore.



Ref.	R.O.	Peso Weight Peso
TEN01159	6U4-45251-00 Cinc / Zinc / Zinco	0,600 kg

MOTORES / ENGINES / MOTORI
Anodo barra motor.
Anode bar for engine.
Anodo barra motore.



Ref.	R.O.	Peso Weight Peso
TEN01121	689-11325-00 Cinc / Zinc / Zinco	0,020 kg

MOTORES / ENGINES / MOTORI

Serie Yamaha W30 - W8 25/2/3
 Ánodo motor.
 Anode for engine.
 Anodo motore.



Ref.	R.O.	Peso Weight Peso
TEN01166	676-11325-00 Cinc / Zinc / Zinco	0,030 kg

MOTORES / ENGINES / MOTORI

Ánodo motor.
 Anode for engine.
 Anodo motore.



Ref.	R.O.	Peso Weight Peso
TEN01132	67C-45251-00 Cinc / Zinc / Zinco	0,120 kg



Ref.	R.O.	Peso Weight Peso
TEN01167	63P-11325-01-00 Cinc / Zinc / Zinco	0,020 kg

MOTORES / ENGINES / MOTORI

Ánodo motor.
 Anode for engine.
 Anodo motore.



Ref.	R.O.	Peso Weight Peso
TEN01142	68T-45251-00 Cinc / Zinc / Zinco	0,100 kg

MOTORES / ENGINES / MOTORI

Serie Yamaha F8C - 68T 2000 - 4



Ref.	R.O.	Peso Weight Peso
TEN01160T	N51-11325-01 Cinc / Zinc / Zinco	0,020 kg

MOTORES / ENGINES / MOTORI

Ánodo motor.
 Anode for engine.
 Anodo motore.



Ref.	R.O.	Peso Weight Peso
TEN01147	688-11325-00 Cinc / Zinc / Zinco	0,010 kg

MOTORES / ENGINES / MOTORI

Serie 25 - 90 HP



Ref.	R.O.	Peso Weight Peso
TEN01146	67F-11325-00 Cinc / Zinc / Zinco	0,070 kg

MOTORES / ENGINES / MOTORI

Serie 80 - 100 HP



Ref.	R.O.	Peso Weight Peso
TEN01152	6E5-11325-00 Cinc / Zinc / Zinco	0,010 kg

MOTORES / ENGINES / MOTORI

Serie 100 - 225 HP



Ref.	R.O.	Peso Weight Peso
TEN01146-1	67F-11325-00 Cinc / Zinc / Zinco	0,050 kg

MOTORES / ENGINES / MOTORI

Serie 80 - 100 HP



Ref.	R.O.	Peso Weight Peso
TEN01162	682-11325-00 Cinc / Zinc / Zinco	0,020 kg

MOTORES / ENGINES / MOTORI

Ánodo motor.
 Anode for engine.
 Anodo motore.



Ref.	R.O.	Peso Weight Peso
TEN01151	66M-11325-00 Cinc / Zinc / Zinco	0,010 kg

MOTORES / ENGINES / MOTORI

Serie 9,9 HP



Ref.	R.O.	Peso Weight Peso
TEN01164	63P-11325-11-00 Cinc / Zinc / Zinco	0,020 kg

MOTORES / ENGINES / MOTORI

Ánodo motor.
 Anode for engine.
 Anodo motore.



Ref.	R.O.	Peso Weight Peso
TEN01156	68V-11325-02 Cinc / Zinc / Zinco	0,030 kg

MOTORES / ENGINES / MOTORI

Ánodo motor.
 Anode for engine.
 Anodo motore.



Ref.	R.O.	Peso Weight Peso
TEN01156-1	68V-11325-01 Cinc / Zinc / Zinco	0,030 kg

MOTORES / ENGINES / MOTORI

Ánodo motor.
Anode for engine.
Anodo motore.



Ref.	R.O.	Peso Weight Peso
TEN01114	Cinc / Zinc / Zinco	0,090 kg

MOTORES / ENGINES / MOTORI

Ánodo motor.
Anode for engine.
Anodo motore.



Ref.	R.O.	Peso Weight Peso
TEN01131	63D-45251-00 Cinc / Zinc / Zinco 63D-45251-01	0,570 kg

MOTORES / ENGINES / MOTORI

Serie H.C. 48
Ánodo platina motor.
Anode plate for engine.
Anodo piastra motore.



Ref.	R.O.	Peso Weight Peso
TEN01135	61N-45251-01 Cinc / Zinc / Zinco	0,270kg

MOTORES / ENGINES / MOTORI

Serie 4T - 9,9 - 15F - 25 HP



Ref.	R.O.	Peso Weight Peso
TEN01137	6G8-45251-00 Cinc / Zinc / Zinco	0,200 kg

MOTORES / ENGINES / MOTORI

Serie 9,9 HP



Ref.	R.O.	Peso Weight Peso
TEN01138	6G8-45251-00 Cinc / Zinc / Zinco	0,280 kg

MOTORES / ENGINES / MOTORI

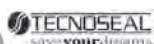
Serie Yamaha TD



Ref.	R.O.	Peso Weight Peso
TEN01123	6E0-45251-11-00 Cinc / Zinc / Zinco 65W-45251-00	0,100 kg

MOTORES / ENGINES / MOTORI

Serie Yamaha 40 HP



Ref.	R.O.	Peso Weight Peso
TEN01139	6T5-45251-00 Cinc / Zinc / Zinco	0,350 kg

MOTORES / ENGINES / MOTORI

Ánodo motor.
Anode for engine.
Anodo motore.



Ref.	R.O.	Peso Weight Peso
TEN01154AL	6AH-45251 Aluminio / Aluminium / Alluminio	0,690 kg

MOTORES / ENGINES / MOTORI

Ánodo platina motor.
Anode plate for engine.
Anodo piastra motore.



Ref.	R.O.	Peso Weight Peso
TEN01105	6E5-45251 Cinc / Zinc / Zinco	0,150 kg

MOTORES / ENGINES / MOTORI

Serie Yamaha 115 - 225 HP



Ref.	R.O.	Peso Weight Peso
TEN01129	6E5-45251 Cinc / Zinc / Zinco	0,240 kg

MOTORES / ENGINES / MOTORI

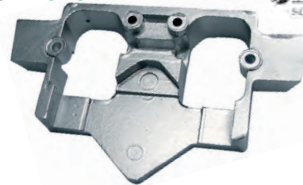
Serie 75 HP - XR6
Ánodo platina motor.
Anode plate for engine.
Anodo piastra motore.



Ref.	R.O.	Peso Weight Peso
TEN01157	6U0-45251-00 Cinc / Zinc / Zinco	1,500 kg

MOTORES / ENGINES / MOTORI

Serie Yamaha TD
Ánodo platina motor.
Anode plate for engine.
Anodo piastra motore.



Ref.	R.O.	Peso Weight Peso
TEN01106	6E8-45251-00 Cinc / Zinc / Zinco	0,45g

MOTORES / ENGINES / MOTORI

Serie Yamaha 9,9 HP



Ref.	R.O.	Peso Weight Peso
TEN01107	Cinc / Zinc / Zinco	0,030 kg

MOTORES / ENGINES / MOTORI

Serie Yamaha 9,9 HP
Ánodo platina motor.
Anode plate for engine.
Anodo piastra motore.



Ref.	R.O.	Peso Weight Peso
TEN01155AL	6AH-45251	Aluminio / Aluminium / Alluminio 1,050 kg

MOTORES / ENGINES / MOTORI

Ánodo platina motor.
Anode plate for engine.
Anodo piastra motore.



Ref.	R.O.	Peso Weight Peso
TEN01116	6E8-45251-02	Cinc / Zinc / Zinco 0,140 kg

MOTORES / ENGINES / MOTORI

Serie Yamaha 9,9 - 15 HP



Ref.	R.O.	Peso Weight Peso
TEN01144	6K1-45371-00	Cinc / Zinc / Zinco 0,410 kg

MOTORES / ENGINES / MOTORI

Ánodo Cola
Skeg Anode
Anodo Pinna



Ref.	R.O.	Peso Weight Peso
TEN01145	69L-45371-00	Cinc / Zinc / Zinco 0,660 kg

MOTORES / ENGINES / MOTORI

Ánodo Cola
Skeg Anode
Anodo Pinna



Ref.	R.O.	Peso Weight Peso
TEN01136	66M-45371-00	Cinc / Zinc / Zinco 0,090 kg

MOTORES / ENGINES / MOTORI

Serie 9,9 HP 4T



Ref.	R.O.	Peso Weight Peso
TEN01153	6E5-45371-00	Cinc / Zinc / Zinco 0,337 kg

MOTORES / ENGINES / MOTORI

Serie 60 - 225 HP



Ref.	R.O.	Peso Weight Peso
TEN01169	6AW-45619-00	Cinc / Zinc / Zinco 0,330 kg

MOTORES / ENGINES / MOTORI

Ánodo platina motor.
Anode plate for engine.
Anodo piastra motore.



Ref.	R.O.	Peso Weight Peso
TEN01158	6U4-45373-00	Cinc / Zinc / Zinco 0,330 kg

MOTORES / ENGINES / MOTORI

Ánodo platina motor.
Anode plate for engine.
Anodo piastra motore.



Ref.	R.O.	Peso Weight Peso
TEN01108	6G1-45251-02	Cinc / Zinc / Zinco 0,040 kg

MOTORES / ENGINES / MOTORI

Serie Yamaha 6 - 8 HP
Ánodo platina motor.
Anode plate for engine.
Anodo piastra motore.



Ref.	R.O.	Peso Weight Peso
TEN01117	6L5-45251-02	Cinc / Zinc / Zinco 0,070 kg

MOTORES / ENGINES / MOTORI

Serie Yamaha Malta 3,5 HP
+ 2B - 3A - 4A - 5C
Ánodo platina motor.
Anode plate for engine.
Anodo piastra motore.



Ref.	R.O.	Peso Weight Peso
TEN01118	6G1-45251-03	Cinc / Zinc / Zinco 0,175 kg

MOTORES / ENGINES / MOTORI

Serie Yamaha 6C - 6D - 8C HP



Ref.	R.O.	Peso Weight Peso
TEN01122	6T4-45836-00	Cinc / Zinc / Zinco 1,490 kg

MOTORES / ENGINES / MOTORI

Serie Yamaha V8



YAMAHA

**RECAMBIOS
MARINOS S.L.**

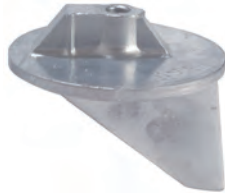
Ref.	R.O.	Peso Weight Peso
TEN01100	664-45371-01A Cinc / Zinc / Zinco	0,210 kg

MOTORES / ENGINES / MOTORI
Serie Mariner 10 - 50 HP
Yamaha 20 - 25 - 30 HP



Ref.	R.O.	Peso Weight Peso
TEN01101	664-45371-01A Cinc / Zinc / Zinco	0,460 kg

MOTORES / ENGINES / MOTORI
Serie Mariner 40 - 60 HP 10x1,25
Mariner 40 - 60 HP 7/16" 1991+
Yamaha 55 HP 10x1,25



Ref.	R.O.	Peso Weight Peso
TEN01102	Cinc / Zinc / Zinco	0,620 kg

MOTORES / ENGINES / MOTORI
Serie Mariner 90-140 HP



Ref.	R.O.	Peso Weight Peso
TEN01103	6E5-45371-01 Cinc / Zinc / Zinco	0,390 kg

MOTORES / ENGINES / MOTORI
Serie Yamaha 115 - 225 HP
V4 - V6



Ref.	R.O.	Peso Weight Peso
TEN01104	688-45371-02 Cinc / Zinc / Zinco	0,430 kg

MOTORES / ENGINES / MOTORI
Serie Yamaha 60 - 90 HP



Ref.	R.O.	Peso Weight Peso
TEN01119	6T5-45371-00 Cinc / Zinc / Zinco	0,580 kg

MOTORES / ENGINES / MOTORI
Serie Yamaha 130 - 205 -
230 - 260 HP



Ref.	R.O.	Peso Weight Peso
TEN01124	61A-45371-00 Cinc / Zinc / Zinco	0,680 kg

MOTORES / ENGINES / MOTORI
Serie Yamaha 250A HP



Ref.	R.O.	Peso Weight Peso
TEN01130	Cinc / Zinc / Zinco	0,270 kg

MOTORES / ENGINES / MOTORI
Serie Yamaha 25 - 30 HP



Ref.	R.O.	Peso Weight Peso
TEN01133	DX220 6J9-45371-01	0,630 kg
TEN01134	SX220 6K1-45371-02	0,630 kg

MOTORES / ENGINES / MOTORI
Yamaha 150 - 200 HP



Ref.	R.O.	Peso Weight Peso
TEN01140	67F-45371-00 Cinc / Zinc / Zinco	0,400 kg

MOTORES / ENGINES / MOTORI
Serie 80 - 100 HP 4T



Ref.	R.O.	Peso Weight Peso
TEN01141	67C-45371-00 Cinc / Zinc / Zinco	0,220 kg

MOTORES / ENGINES / MOTORI
Yamaha F40 - F50 - F60 4T



Ref.	R.O.	Peso Weight Peso
TEN01143	6J9-45371-00 Cinc / Zinc / Zinco	0,560 kg

MOTORES / ENGINES / MOTORI
Yamaha 150 - 225 HP



MOTORES DE ARRANQUE STARTERS MOTORINI AVVIAMENTO

Ref.	R.O.	Tiempos Strokes Tempi
PH130-0061	6L2-81800-11/20, 682-81800-11/12	2

MOTORES / ENGINES / MOTORI

9.9-15HP (1984-97)
25HP (1988-98)
6HP (1984-90)
8HP (1984-90)



Ref.	R.O.	Tiempos Strokes Tempi
PH130-0049	689-81800-13/12/11	2

MOTORES / ENGINES / MOTORI

25-40HP - 30HP/20HP



Ref.	R.O.	Tiempos Strokes Tempi
PH130-0062	6J4-81800-01/00	2

MOTORES / ENGINES / MOTORI

30 HP (1987+)
40-50 HP (1989+)



Ref.	R.O.	Tiempos Strokes Tempi
PH130-0084	66T-81800-03/02	2

MOTORES / ENGINES / MOTORI

40 HP



Ref.	R.O.	Tiempos Strokes Tempi
PH130-0005	6CJ-81800-00, 6E5-81800-12/11	2, 4

MOTORES / ENGINES / MOTORI

40-50 HP
115-130HP V4
150-175-200HP V6



Ref.	R.O.	Tiempos Strokes Tempi
PH130-0063	6H4-81800-12 /11/10	2

MOTORES / ENGINES / MOTORI

40-50 HP (1984-1988)



Ref.	R.O.	Tiempos Strokes Tempi
PH130-0051	99999-03938-00, 6N7-81800-00/01/10	2

MOTORES / ENGINES / MOTORI

115-250HP V4



Ref.	R.O.	Tiempos Strokes Tempi
PH130-0059	69W-81800-00, 69L-81800-00	2, 4

MOTORES / ENGINES / MOTORI

V200 (1998+) 225 HWP (1994+)
F40 (2002-06) 250 HP (1990+)
F50 (2003-14)
F60 (2003-07)



Ref.	R.O.	Tiempos Strokes Tempi
PH130-0050	6H3-81800-11/10	2

MOTORES / ENGINES / MOTORI

9 Dientes / 9 Teeth / 9 Denti

50HP (1993-14)
60HP (1991+)
70HP (1984-14)



Ref.	R.O.	Tiempos Strokes Tempi
PH130-0007	99999-03249-00, 697-81800-10/12/13	2

MOTORES / ENGINES / MOTORI

55-60HP 2 CIL



Ref.	R.O.	Tiempos Strokes Tempi
PH130-0058	688-81800-12	2

MOTORES / ENGINES / MOTORI

75 HP (1994-99) 85HP (1992-03)
85 HP (1991-96) 80HP (1993-02)
90 HP (1984-14)



Ref.	R.O.	Tiempos Strokes Tempi
PH130-0056	68F-81800-03/02/01/00	2

MOTORES / ENGINES / MOTORI

LZ 150-175 HP (2000+)
VZ 150-175 HP (2000+)
Z 150-175 HP (2000+)
LZ 200-Z200 HP (2000+)



Ref.	R.O.	Tiempos Strokes Tempi
PH130-0034	66M-81800-01/02	4

MOTORES / ENGINES / MOTORI

F9.9
F13.5
F15 HP (2000-08)



Ref.	R.O.	Tiempos Strokes Tempi
REC6AH-81800-00	6AH-81800-00	4

MOTORES / ENGINES / MOTORI

F13,5 ALL (2007-09)
F15 (2007-14)
F20 ALL (2007-14)



Ref.	R.O.	Tiempos Strokes Tempi
PH130-0029	65W-81800-01/02/03, 67C-81800-02	4

MOTORES / ENGINES / MOTORI

F20
F25HP (1999-09)
F30/F40 (2005-09)



Ref.	R.O.	Tiempos Strokes Tempi
REC6BG-81800-00	6BG-81800-00	4

MOTORES / ENGINES / MOTORI

FT 25 FET (2009-13) DMH
F40 FET MH (2009-13)
FED F30 BET
FEHD (2009-13) BEHD (2009-13)
T25A (2009-13) F20 DET (2011-13)
F25 DE



Ref.	R.O.	Tiempos Strokes Tempi
PH130-0057	68V-81800-02/01/00	4

MOTORES / ENGINES / MOTORI

F80 (2005+)
F100 (2005+)
F115 (2000+)
LF115 (2000+)



Ref.	R.O.	Tiempos Strokes Tempi
PH130-0055	67F-81800-00/01/02/03	4

MOTORES / ENGINES / MOTORI

F80 HP (1999+)
F100 HP (1999+)



Ref.	R.O.	Tiempos Strokes Tempi
PH130-0073	63P-81800-00, 6BR-81800-00	4

MOTORES / ENGINES / MOTORI

FL, F150 AET, X, L (2009-11)
FL, F200 CETX (2009-11)
FL, F225 BET
X, U, CET, L (2009-11)
FL, F250 AET, X, U, BET, X, U (2009-11)



Ref.	R.O.	Tiempos Strokes Tempi
PH130-0074	69J-81800-00	4

MOTORES / ENGINES / MOTORI

F200, F225 HP (2002-2007)



Ref.	R.O.	Tiempos Strokes Tempi
PH130-0076	60V-81800-00, 60X-81800-00	4

MOTORES / ENGINES / MOTORI

250HP (2003-07)



Ref.	R.O.	Tiempos Strokes Tempi
REC6C9-81800-00	6D0-81800-00, 6C9-81800-00	4

MOTORES / ENGINES / MOTORI

Z, ZL 300 AETO, X, U -TR, -TX R (2004-07)



Ref.	R.O.	Tiempos Strokes Tempi
REC6AW-81800-00	6AW-81800-00	4

MOTORES / ENGINES / MOTORI

L, F350 AET, X, U, Z -CB -TRG (2008-13), L, F300, AET, X, U (2008-2011)



SOLENOIDES Y RELÉS SOLENOID AND RELAYS SOLENOIDI E RELÉ

SOLENOIDE / SOLENOID / SOLENOIDI

Ref.	R.O.
PH375-0034	65W-81941-00

MOTORES / ENGINES / MOTORI

F20 (1998-09) F30 (2001-09)
F25 (1998-09) F40 (2000-09)



Ref.	R.O.
REC61A-81941-00	61A-81941-00, 6E5-81941-11

MOTORES / ENGINES / MOTORI

150 175
200 115
225 130
250 100HP



Ref.	R.O.
REC688-81950-10	688-81950-10

MOTORES / ENGINES / MOTORI

50G 80A
50D 90A
E60 60F
70B



Ref.	R.O.
PH375-0041	6G1-81941-10

MOTORES / ENGINES / MOTORI

6HP-90HP



RELÉ POWER TRIM POWER TRIM RELAY RELÉ POWER TRIM

Ref.	R.O.
PH375-0047	6E5-81950-01

MOTORES / ENGINES / MOTORI

175HP (1991-96) 115HP (1995-13)
200HP (1991-10) 100HP (1996-01)
225HP (1996-09) 130HP (1991-07)
150HP (1996-03)



Ref.	R.O.
PH375-0048	6E5-8195A-01

MOTORES / ENGINES / MOTORI

200HP (1991-10) 175 (1996-03)
115 (1991-13) 225 (1996-09)
130 (1991-07) 100 (1996-01)
150 (1998-07)



MOTORES TRIM Y POWERTRIM TRIM ENGINES AND COMPLETE TRIM MOTORINI TRIM E POWERTRIM

INSTALACIÓN ELÉCTRICA WIRING HARNESS ISTALLAZIONE ELETTRICA

Ref.	R.O.
PH200-WH01	

Sustituye de 2 a 3 cables.
Converts 3-wire Tilt and Trim motors to 2-Wire design
Sustituisce da 2 a 3 cavi.



TRIM COMPLETO COMPLETE TRIM ASSEMBLY MOTORINO TRIM COMPLETO

Ref.	R.O.
SIE18-6865	

MOTORES / ENGINES / MOTORI
3 RAM
115-225HP



Ref.	R.O.
PH200-T029	6H1-43880-02

MOTORES / ENGINES / MOTORI
Motor trim 3 tornillos - 2 cables
Trim motor 3 bolts - 2 wires
Motorino Trim 3 viti - 2 cavi
40HP (1994)
50-90HP (1992-95)
70-90 (1996)
60-70-90 (1998)
90HP (1992-02)



Ref.	R.O.
PH200-T036	62Y-43880-02, 69W-43880-01

MOTORES / ENGINES / MOTORI
Motor trim 3 tornillos - 2 cables
Trim motor 3 bolts - 2 wires
Motorino Trim 3 viti - 2 cavi
40Y (2005-07)
40V (2003)
C40 (2002)
F40 (2002)
F50
FT50 (2002-07)



Ref.	R.O.
PH200-T035	62X-43880-09

MOTORES / ENGINES / MOTORI
Motor trim 3 tornillos - 2 cables
Trim motor 3 bolts - 2 wires
Motorino Trim 3 viti - 2 cavi
40V (1995-98)
F45 (1995-99)
50H (1995-98)
F50 (1995-99)
FT50 (1996-00)



Ref.	R.O.
PH200-T045	6C5-43880-01/00

MOTORES / ENGINES / MOTORI
Motor trim 3 tornillos - 2 cables
Trim motor 3 bolts - 2 wires
Motorino Trim 3 viti - 2 cavi

F40 (2006-10) FT60 (2006-10)
F60 (2006-10) 40-50HP (1985-92)
F50 (2005-10)



Ref.	R.O.
PH200-T048	6H5-43880-02/09

MOTORES / ENGINES / MOTORI
40-50HP (1984-94)



Ref.	R.O.
PH200-T030	6G5-43880-01/00

MOTORES / ENGINES / MOTORI
Motor trim 3 tornillos - 2 cables
Trim motor 3 bolts - 2 wires
Motorino Trim 3 viti - 2 cavi

115-200 (1987-95)
225 (1990-94)



Ref.	R.O.
PH200-T069	69J-43880-00/01

MOTORES / ENGINES / MOTORI
F200
F225 (2002+)
F250 (2005+)
Z300



Ref.	R.O.
PH200-T037	6H1-43880-00, 688-43880-11, 6E5-43880-01/02

MOTORES / ENGINES / MOTORI
Motor trim 3 tornillos - 3 cables
Trim motor 3 bolts - 3 wires
Motorino Trim 3 viti - 3 cavi
60 90
70 115
75 150
80 200HP
85



Ref.	R.O.
PH200-T044	67F-43880-00

MOTORES / ENGINES / MOTORI
F75 (2003-04)
F80 (1999-03)
F90 (2003-04)
F100 (1999-02)



Ref.	R.O.
PH200-T057	64E-43880-00 64E-43880-01/03/04

MOTORES / ENGINES / MOTORI
Motor trim 4 tornillos - 2 cables
Trim motor 4 bolts - 2 wires
Motorino Trim 4 viti - 2 cavi
225 115
250HP 225 (1997-02)



Ref.	R.O.
PH200-T050	61A-43880-01/02, 69W-81800-00

MOTORES / ENGINES / MOTORI
Motor trim 3 tornillos - 4 cables
Trim motor 3 bolts - 4 wires
Motorino Trim 3 viti - 4 cavi
225
250HP



REGULADORES Y RECTIFICADORES REGULATOR AND RECTIFIERS REGOLATORI E RADDRIZZATORI

Ref. R.O.
REC6H2-81960-10 6H2-81960-10

MOTORES / ENGINES / MOTORI

40
50
60
70



Ref. R.O.
REC6G1-81970-62 6G1-81970-61/62

MOTORES / ENGINES / MOTORI

70HP



Ref. R.O.
REC6G5-81960-A0 6G5-81960-A0

MOTORES / ENGINES / MOTORI

75 (1988-96)
85 (1989-96)
90 (1984-91)
115 (1991-96)
130 (1988-89)
150 (1984-89)
150 (1997)
175 (1984-89)
200 (1984-89)



STARTOR STARTOR STARTORI

Ref. R.O.
REC688-85510-10 688-85510-11/10

MOTORES / ENGINES / MOTORI

75 (1988-96)
85 (1989-96)
90 (1984-90)



Ref. R.O.
REC6H1-85510-00 6H1-85510-00

MOTORES / ENGINES / MOTORI

80A
AE (1990-91)
90 AEO
AETO (1990-91)



Ref. R.O.
REC6G5-85510-10 6G5-85510-10

MOTORES / ENGINES / MOTORI

200 (1984-89)



Ref. R.O.
REC6E5-85510-11 6E5-85510-11/10

MOTORES / ENGINES / MOTORI

115 (1984-89), (1991-98)
130 (1988-89)
150 (1984-89)



Ref. R.O.
PAF25-05140000 65W-85510-10

MOTORES / ENGINES / MOTORI

F20 (1998-06)
F25 (1998-09)
T25/FT25 (2000-09)
F30 (2001-09)
F40 (2000-09)



CAJAS NEGRAS POWER PACKS CENTRALINE

Ref. R.O.
REC63V-85540-00-01 63V-85540-00/01

MOTORES / ENGINES / MOTORI

9.9, 15HP (1995-08)
13, 5HP (2003-04)



Ref. R.O.
REC61N-85540-00 61N-85540-00

MOTORES / ENGINES / MOTORI

25 (1997-07)
30 (1996-08)
200 (1993)



Ref. R.O.
REC6F5-85540-22 6F5-85540-22

MOTORES / ENGINES / MOTORI

E40 (2003)



Ref. R.O.
REC695-85540-11 695-85540-11/12

MOTORES / ENGINES / MOTORI

E40 (2003)
9.9 (1986-95)
15 (1986-95)
20 (1985-02)
25 (1985-02)



Ref.	R.O.
REC6G0-85540-11	6G0-85540-11

MOTORES / ENGINES / MOTORI

175	(1986-89)
200	(1986-89)
150	(1988)
225	(1987-89)



Ref.	R.O.
REC663-85540-15	663-85540-11/15 663-85540-15

MOTORES / ENGINES / MOTORI

55	(1990-93)
----	-----------



Ref.	R.O.
REC6E0-85540-71	6E0-85540-71/70

MOTORES / ENGINES / MOTORI

4	(1984-03)
5	(1984-14)



Ref.	R.O.
REC689-85540-21	689-85540-21/20

MOTORES / ENGINES / MOTORI

25	(1984-87)
30	(1984-87)
30	(1989-90)
40	(1990)



Ref.	R.O.
REC696-85540-12	696-85540-12/11/10

MOTORES / ENGINES / MOTORI

6	(1984-99)
8	(1984-04)



Ref.	R.O.
REC6B4-85540-01	6B4-85540-01

MOTORES / ENGINES / MOTORI

E9.9 DMH-5	(2003)
E15 DMH -5	(2003)



Ref.	R.O.
REC6J8-85540-H2	6J8-85540-H2

MOTORES / ENGINES / MOTORI

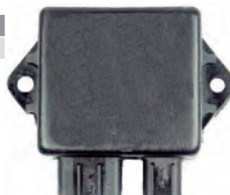
25J/EO/SH	(1999)
30D/ETOL/EOS/MHS	
MHOL, E, L, H	(1999+)



Ref.	R.O.
REC66T-85540-00-01	66T-85540-01

MOTORES / ENGINES / MOTORI

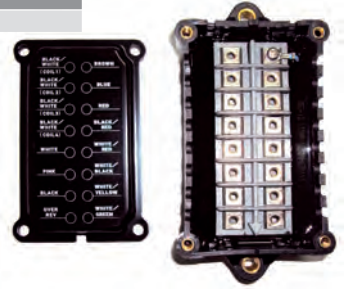
40X/E40X	
MLH	
XW	(1998+)



Ref.	R.O.
REC6E5-85540-12	6E5-85540-12/11/10

MOTORES / ENGINES / MOTORI

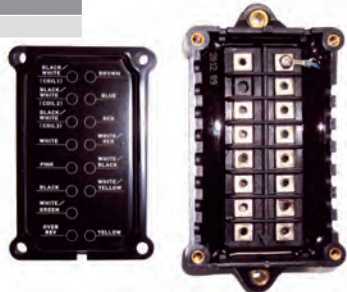
115	(1984-89)
115	(1991-98)
130	(1988-89)



Ref.	R.O.
REC688-85540-16	688-85540-16

MOTORES / ENGINES / MOTORI

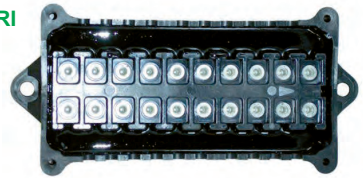
75	
85	



Ref.	R.O.
REC6G5-85540-12	6G5-85540-12/11/10

MOTORES / ENGINES / MOTORI

150HP	(1984-89)
-------	-----------



**BOBINAS
COILS
BOBINE**

Ref.	R.O.	Tiempos / Strokes / Tempi
REC63V-85520-00	63V-85520-00	2

MOTORES / ENGINES / MOTORI

15F	(1995+)
9,9 F/M	(1995+)
13,5 A	(2003-04)



Ref.	R.O.	Tiempos / Strokes / Tempi
PAF2.6-04000600	69M-85640-00	4

MOTORES / ENGINES / MOTORI

F2.5 ALL	(2003+)
----------	---------



Ref.	R.O.	Tiempos / Strokes / Tempi
PAF15-07000300	66M-85520-00	4

MOTORES / ENGINES / MOTORI

F15 ALL	(1998-07)
F9.9 ALL	(1998-08)
F13.5 ALL	(2002-07)



BOBINA DE IGNICIÓN COIL IGNITION BOBINE INIEZIONE

Ref.	R.O.	Tiempos / Strokes / Tempi
PAF4-0400038	67D-85640-00	4

MOTORES / ENGINES / MOTORI

F4 ALL (1998+)



Ref.	R.O.	Tiempos / Strokes / Tempi
PAF25-0512000	65W-85570-01	4

MOTORES / ENGINES / MOTORI

F20A/E (1998-06)
F25A/B/T/M (1998-09)



Ref.	R.O.	Tiempos / Strokes / Tempi
REC6F5-85570-11	6F5-85570-13	4

MOTORES / ENGINES / MOTORI

F9.9 (2009+)
F20/25 B/F (2007+)
F13.5 B/M (2007+)
F15 C/M/E (2007-09)



Ref.	R.O.	Tiempos / Strokes / Tempi
PAF15-07000600	66M-85570-00	4

MOTORES / ENGINES / MOTORI

F15 ALL (1998-07)
F9.9 ALL (1998-08)
F13.5 ALL (2002-07)



Ref.	R.O.	Tiempos / Strokes / Tempi
REC689-81311-40	66M-85570-00	2

MOTORES / ENGINES / MOTORI

3A (1985-92)
40Q (1990-98)



Ref.	R.O.	Tiempos / Strokes / Tempi
REC6R3-85570-01	6R3-85570-01	2

MOTORES / ENGINES / MOTORI

200 A/E/F (1997-10) 130 B/T (1994-07)
150 F/T (1994-07) 115 C/T (1994-13)
175D (1996-03) 130 BETO (1994-01)
225D (1996-09)



Ref.	R.O.	Tiempos / Strokes / Tempi
REC697-85570-00	697-85570-00	2

MOTORES / ENGINES / MOTORI

50G/ETOL (1995-07) 90A/T/ETOL (1997-14)
75T/L/A/C/B (1997-14) 60F/T/ETOL (1995-07)
85A/E/TDL/X (1997-03) 70B/E/ETOL (1995-14)
55 B/M/ET (1995-02)



Ref.	R.O.	Tiempos / Strokes / Tempi
REC697-85570-10	697-85570-11	2

MOTORES / ENGINES / MOTORI

55HP 2 Cil. (1989-94)
90A/ETN/AETO (1984-88)
80A (1984-89)



Ref.	R.O.	Tiempos / Strokes / Tempi
REC6E5-85570-11	6E5-85570-11/10	2

MOTORES / ENGINES / MOTORI

115HP 4Cil. (1984-91)
140A/E (1984-89)
150
175
200HP (1984-89)



Ref.	R.O.	Tiempos / Strokes / Tempi
REC6E7-85570-19	6E7-85570-19-00	2

MOTORES / ENGINES / MOTORI

9.9/15HP (1988-95)
20C/D (1985-93)
25C/D (1985-93)



Ref.	R.O.	Tiempos / Strokes / Tempi
REC63V-85570-00	65E-85570-00	2

MOTORES / ENGINES / MOTORI

9,9 / 15F/M (1995-13)
13,5A (2003-04)
E15 (2003)



Ref.	R.O.	Tiempos / Strokes / Tempi
REC66T-85570-00	66T-85570-00	2

MOTORES / ENGINES / MOTORI

E40 (1998+)
40X/M (1998+)



BOBINA DE PULSACIÓN COIL PULSER BOBINE ACCENSIONE

Ref.	R.O.	Tiempos / Strokes / Tempi
PAF25-05110000	65W-85580-00	4

MOTORES / ENGINES / MOTORI

F25 ALL (1998-09)
F40 E
B (2000-09)
F30 A
ERZ
ML (2001-09)



Ref.	R.O.	Tiempos / Strokes / Tempi
PAF15-07000200	66M-85580-00	4

MOTORES / ENGINES / MOTORI

F15 ALL (1998-07)
F9.9 ALL (1998-08)
F13.5 ALL (2002-07)



Ref.	R.O.	Tiempos / Strokes / Tempi
PAF15-07000400	66M-85533-00	4

MOTORES / ENGINES / MOTORI

F15 ALL (1998-07)
 F9.9 ALL (1998-08)
 F13.5 ALL (2002-07)



Ref.	R.O.	Tiempos / Strokes / Tempi
REC63V-85580-01	63V-85580-01	2

MOTORES / ENGINES / MOTORI

9,9/15 F/M (2003+)
 13,5A (2003-04)



Ref.	R.O.	Tiempos / Strokes / Tempi
REC66T-85580-00	66T-85580-00	2

MOTORES / ENGINES / MOTORI

E40 (1998+)
 40X/M (1998+)



**BOBINA DE CARGA
 COIL CHARGER
 BOBINE DI CARICA**

Ref.	R.O.	Tiempos / Strokes / Tempi
REC66T-85520-00		2

MOTORES / ENGINES / MOTORI

E40 (1998+)
 40X/M (1998+)



**BOBINA DE LUZ
 COIL LIGHTING
 BOBINE LUCE**

Ref.	R.O.	Tiempos / Strokes / Tempi
REC63V-85533-00	63V-85533-00	2

MOTORES / ENGINES / MOTORI

9,9/15 F/M (1995+)
 13,5 AM (2003-04)
 E9.9/15 (2003)



Ref.	R.O.	Tiempos / Strokes / Tempi
REC66T-85533-00	66T-85533-00	2

MOTORES / ENGINES / MOTORI

E40 (1998+)
 40X/M (1998+)



**DESCONECTORES
 DE SEGURIDAD
 CUT OFF SWITCHES
 CHIAVETTA DI
 SICUREZZA**

Ref.	R.O.
REC688-82575-01	688-82575-01



Ref.	R.O.
REC69W-82575-00	69W-82575-00



Ref.	R.O.
REC66T-82575-01	66T-82575-01

MOTORES / ENGINES / MOTORI

E40X
 MLHZ
 X
 MH (2001+)



Ref.	R.O.
REC6G8-81870-00	6G8-81870-00

MOTORES / ENGINES / MOTORI

F8A-B (1986-99)
 F9.9A
 M,E,B (1985-99)
 9.9F (1995-2000)
 9.9-15-8-6/C-M-D (1984-2002)



Ref.	R.O.
REC65W-82575-01	65W-82575-01

MOTORES / ENGINES / MOTORI

F2.5
 T-F 6-8
 F9.9 -F15
 9.9F-M
 F13.5
 F25 (2002+)



Ref.	R.O.
REC6A0-82550-01	6A0-82550-01

MOTORES / ENGINES / MOTORI

9.9D/15D (1985-93)
 8N/JCEM (1984-96)
 6CEM/6DEM (1984-96)



Ref.	R.O.
REC6E9-82575-02	6E9-82575-00

MOTORES / ENGINES / MOTORI

E30/GE/BMH (1996-12)
 25V/M/E/B (1996-10)
 6/8C/TRV/MSH (1996-12)



KITS

Interruptor de encendido para todo tipo de motores fueraborda o intraborda.
Emergency and stop switch for inboard or outboards.
Interruttore di accensione per tutti i tipi di motori fuoribordo o entrobordo.

Ref.		Envase / Pack / Qnt
REC40970	Kit completo / Complete kit / Kit completo	1 x blister
REC40990	Cuerda tirador de recambio / Spare Corda elastica di ricambio	1 x blister
GS11290	Kit completo / Complete kit / Kit completo	1 x blister
GS11291	Cuerda tirador de recambio / Spare Corda elastica di ricambio	1 x blister
GS11292	Kit completo / Complete kit / Kit completo	1 x blister



REC40970 - REC40990

GS11290 - GS11291



GS11292

Ref.	Envase / Pack / Qnt
GS11294	1 x blister

GOLDENSHIP

Kit de 8 llaves de recambio para:
Kit of 8 spare keys for:

Kit di 8 chiavi di ricambi per:

J/E, OMC, Mercury, Yamaha, Honda,
Suzuki, Tohatsu.



LLAVES DE ARRANQUE IGNITION STARTER SWITCH CHIAVI DI ACCENSIONE

Ref.	R.O.	Tiempos / Strokes / Tempi
REC703-82510-13	703-82510-12	2, 4
REC61B-82510-02	61B-82510-01	2
REC703-82510-44	703-82510-43	2, 4
REC6K1-82510-07	6K1-82510-06	2, 4



REC703-82510-13
Montaje en mando control
Control box
Montaggio nel telecomando



REC61B-82510-02
Montaje en panel
Dash mount
Montaggio nel pannello



REC703-82510-44
Llave con choque
Push t. Choke
Chiave con contatto



REC6K1-82510-07
Llave doble instalación
Dual engine application
Chiave doppia installazione

SENSORES OXÍGENO OXYGEN SENSOR SENSORI OSSIGENO

Ref.	R.O.
REC67H-8592A-01	67H-8592A-01

MOTORES / ENGINES / MOTORI

LX200/5X200	(2001-05)
DX150/LX150	(2001-05)
SX150/VX150	(2001-05)



Ref.	R.O.
REC68F-8592A-00	68F-8592A-00

MOTORES / ENGINES / MOTORI

200HP	(2001-2007)
150HP	(2001-2007)
175HP	(2001-2007)

L, Z, V-PETO, TLR, NETO



BUJÍAS CHAMPION SPARK CHAMPION CANDELE CHAMPION

Potencia HP Power HP Potenza HP	Año Year Anno	Ref
2 Tiempos / Stroke / Tempi		
2	1984+	CHAL90C
3	1988+	CHAQL86C/L86C
5	1984+	CHAQL82C/L82C
6	1986+	CHAQL82C/L82C
8	1984+	CHAQL82C/L82C
9.9	1984+	CHAQL82C/L82C
20	1996+	CHAQL82C/L82C
25	1999+	CHAQL82C/L82C
30	1984+	CHAQL82C/L82C
40	1984+	CHAQL82C/L82C
50	1995+	CHARA8HC
70	1984+	CHAQL78C/L78C
90B	1984+	CHAQL78C/L78C
90	1984-2000	CHAQL78C/L78C
115	1984-2005	CHAQL78C/L78C
130	1989+	CHAQL78C/L78C
150 Carb	1996+	CHAQL82C/L82C
150 EFI	1999-2000	CHAQL78C/L78C
150 EFI	2000+	CHARC12YC
150 MPDI	2000+	CHARC12YC
150 VMAX	1997+	CHAQL78C/L78C
175	1984+	CHAQL78C/L78C
175 VMAX	1992+	CHAQL78C/L78C
200 LX	1999+	CHAQL78C/L78C
200 LZ	1999+	CHARC9YC4
200 SX	1999+	CHAQL78C/L78C
200 VX	2000+	CHAQL78C/L78C
200 Z	2000+	CHARC9YC4
225	2000+	CHAQL77JC4/L77JC4
250	2000+	CHAQL77JC4/L77JC4
4 Tiempos / Stroke / Tempi		
2.5F	2003+	CHAQL86C/L86C
4F	1999+	CHAQL86C/L86C
9.9Fi	1996+	CHAZ9Y
9.9T	1996+	CHAZ9Y
15F	1999+	CHARA8HS
25F	1998+	CHARA8HS
30F	2001+	CHARA8HC
40F	1999+	CHARA8HS
50F	1999+	CHARA8HC
60	2002+	CHARA8HC
75	2003+	CHAREC10YC4
80	1999+	CHAREC10YC4

CHAMPION



BUJÍAS NGK SPARK NGK CANDELE NGK



Potencia HP Power HP Potenza HP	Año Year Anno	Ref
2 Tiempos / Stroke / Tempi		
2A		NGKB6HS
2B	87-	NGKBR5HS
2B	85-86	NGKB7HS
2B	-84	NGKBR5HS
2C	95-	NGKB7HS
3,5A/AC		NGKB6HS
3A (Malta)		NGKBR6HS-10
4A/AC/AS/BC		NGKBR7HS
4A/B	01-	NGKB7HS
5A/AS		NGKB7HS
5B/BS		NGKB6HS
5C		NGKBR7HS
5D		NGKB5HS
6A		NGKB6HS
6B		NGKB5HS
6C		NGKBR7HS-10
6D		NGKBR6HS-10
7A		NGKB6HS
8A		NGKB6HS
8B		NGKB7HS
8C		NGKBR7HS-10
E8D		NGKBR7HS-10
9.5A		NGKB7HS
9.9B		NGKB7HS
9.9D		NGKBR7HS-10
9.9F	95-	NGKBR7HS-10
9A		NGKB6HS
12A		NGKB7HS
13.5A		NGKBR7HS-10
13.5F		NGKB7HS-10
15A		NGKB7HS
15B		NGKB7HS
15C		NGKB7HS
15D		NGKBR7HS-10
15F	95-	NGKBR7HS-10
20A		NGKB6HS
20B		NGKB6HS
20C (C20)	99-	NGKB7HS
20C/CE/CM		NGKBR7HS-10
20D		NGKBR7HS-10
25A		NGKB7HS
25B	-94	NGKB7HS
25B	01-	NGKBR7HS-10
25B/25Q	95-00	NGKBR7HS-10
25CMK		NGKB6HS
25D (25)		NGKB7HS
25DE		NGKBR7HS-10
25J		NGKBR7HS-10
25N		NGKBR7HS-10
25V (25)	95-	NGKBR7HS-10
28A/AE		NGKB7HS
30A/AE/AM		NGKB7HS
30D		NGKBR7HS-10
30G	95-	NGKB8HS-10
30H	01-	NGKB8HS-10
40AE/AM/AR		NGKB8HS
40BE/BM/BR		NGKB8HS
40C		NGKB8HS
40D	-89	NGKB8HS
40F		NGKB8HS
40FE		NGKB7HS-10
40GK		NGKB7HS
40H		NGKBR7HS-10
40J	01-	NGKB7HS
40Q (40)	95-	NGKBR8HS
40V	95-	NGKBR7HS-10
40X	-00	NGKBR7HS
40Y (ET)	01-	NGKBR8HS-10
40Y (MH)	01-	NGKBR7HS-10
48A/B		NGKB7HS
50	01-	NGKB8HS-10
50C		NGKB8HS
50CE		NGKB8HS-10

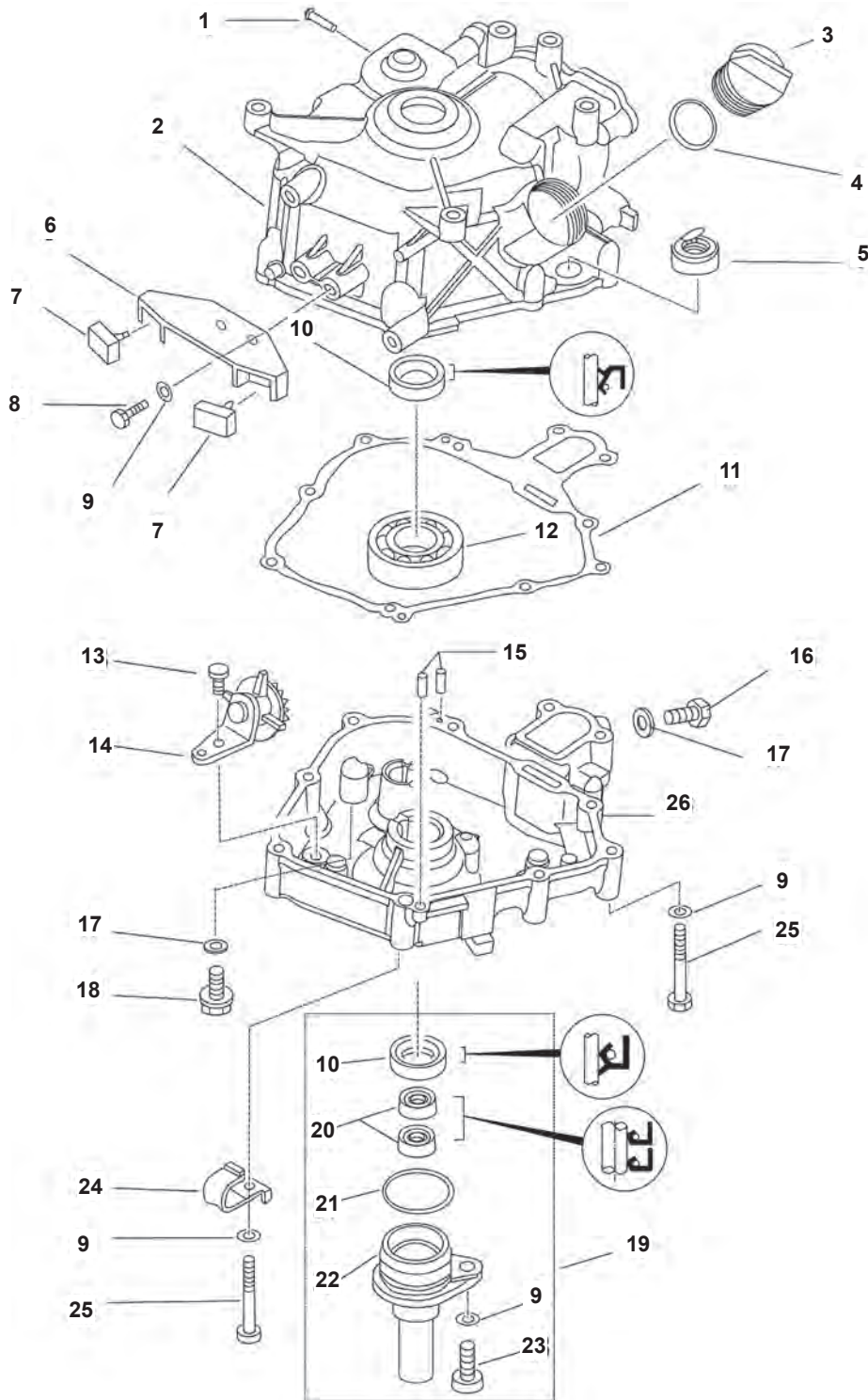
Potencia HP Power HP Potenza HP	Año Year Anno	Ref
50D		NGKBR8HS-10
50G/50H	95-	NGKBR8HS-10
E60H		NGKBR8HS-10
60TLRB	03-	NGKB7HS-10
55AE	-78	NGKB8HS
55AE	79-	NGKB8HS-10
55AEM/AM/AW		NGKB8HS
55B		NGKB8HS-10
55B	90-	NGKBR8HS-10
55B(M)	95-	NGKB8HS
55BM/BW		NGKB8HS
60	01-	NGKB8HS-10
60AE	-78	NGKB8HS
60AE	79-	NGKB8HS-10
60B		NGKB8HS-10
60CE/CET		NGKB8HS-10
60D	86-	NGKBR8HS-10
60DE		NGKB8HS-10
60F		NGKBR8HS-10
E60H		NGKBR8HS-10
70B		NGKBR8HS-10
70C		NGKBR8HS-10
70ETO		NGKBR8HS-10
75A		NGKBR8HS-10
75B		NGKBR8HS-10
75C		NGKBR8HS-10
80A		NGKBR8HS-10
85A		NGKBR8HS-10
90A		NGKBR8HS-10
100AETOL	98-	NGKBR8HS-10
100A		NGKBR8HS-10
115A	04-	NGKB8HS-10
115AEO/AO		NGKBR8HS-10
115B/BETO		NGKBR8HS-10
115C		NGKBR8HS-10
115D	95-	NGKBR8HS-10
130A		NGKBR9HS-10
130B	95-	NGKBR9HS-10
130BETO		NGKBR9HS-10
140A		NGKBR8HS-10
140B	-88	NGKBR8HS-10
140B	89-	NGKBR9HS-10
140BETO		NGKBR9HS-10
140C/L140C	95-	NGKBR9HS-10
150A	86-	NGKBR8HS-10
150A	-85	NGKBR7HS-10
150AETO/CETO		NGKBR8HS-10
150C		NGKBR8HS-10
150F/L150F		NGKBR7HS-10
150G		NGKBR7HS-10
Z150P/Q		NGKBKR6EKU
D150H		NGKBR8HS-10
175A		NGKBR8HS-10
175B		NGKBR8HS-10
175D		NGKBR8HS-10
175F		NGKBR8HS-10
Z175GH		NGKR7EKU
200A/B	95-	NGKBR8HS-10
200C		NGKBR9HS-10
200F (L200F)		NGKBR8HS-10
200G		NGKBR8HS-10
Z200N		NGKR7EKU
220A / AET	86-	NGKBR8HS-10
225AETO		NGKBR8HS-10
225AO/BETO/B/C		NGKBR9HS-10
L225B/C/G		NGKBR9HS-10
225D		NGKBR8HS-10
225G		NGKBR9HS-10
250A / L250A		NGKBR8HS-10
250B / L250B		NGKBR9HS-10
Z250D	2005+	NGKBKR6EKU
Z250D/F	-2004	NGKR7EKU
Z300A	-2004	NGKBKR6EKU
Z300A	2005+	NGKBKR6EKU

Potencia HP Power HP Potenza HP	Año Year Anno	Ref
4 Tiempos / Stroke / Tempi		
F2.5A	02-	NGKBR6HS
F4A	98-	NGKBR6HS
F6A	00-	NGKBR6HS-10
F6B	01-	NGKBR6HS-10
F8	01-	NGKBR6HS-10
F8-A	85-	NGKCR6HS
F8B/AM-AEM	86-02	NGKCR5HS
F8B/BM/BE	86-	NGKCR5HS
F8C	00-	NGKBR6HS-10
F9.9DE		NGKBR7HS-10
F9.9A	85-00	NGKCR6HS
F9.9B	86-00	NGKCR6HS
F9.9C/D	98-03	NGKDPR6EA-9
F13.5 A	98-03	NGKDPR6EA-9
F15A	98-03	NGKDPR6EA-9
F20A	98-01	NGKDPR6EA-9
F25A (E, ET)	98-02	NGKDPR6EA-9
F25A (MH)		NGKDPR6EA-9
F30A	01-02	NGKDPR6EA-9
F30 OHC	01-02	NGKDPR6EA-9
F40A/B	00-02	NGKDPR6EA-9
F40C		NGKDPR5EA-9
F45A/AETL	98-	NGKDPR6EA-9
F50A/B	95-02	NGKDPR6EA-9
F60A	02-	NGKDPR5EA-9
F80A	00-03	NGKLF5A-11
F100A	99-03	NGKLF5A-11
F115 V-41 7L	99-03	NGKLF6A-11
F115A (FL-115A)		NGKLF6A-11
F150A (FL-150A)		NGKLF5A-11
FT8D		NGKBR6HS-10
FT9.9A	98-	NGKCR6HS
FT9.9D		NGKDPR6EA-9
FT25B		NGKDPR6EA-9
FT50B/BETL	98-	NGKDPR6EA-9
FT50C/G		NGKDPR6EA-9
FT60B/D		NGKDPR5EA-9
FX700(FX-1)	95-	NGKBR8HS
F150A		NGKLF5A-11
F200A		NGKLF5A-11
F225A		NGKLF5A-11
F300		NGKLF6A-11
F350		NGKLF6A-11

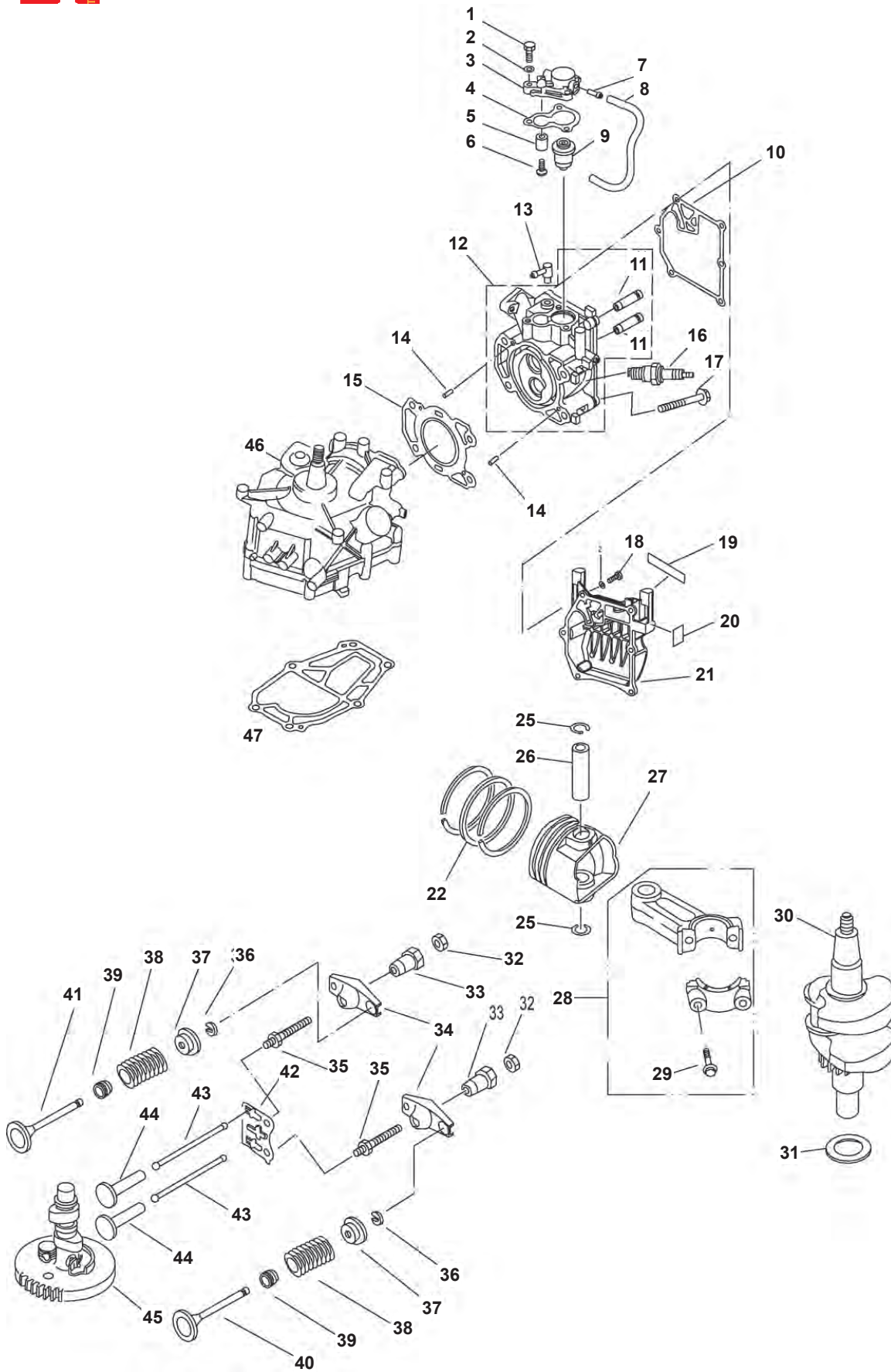
BLOQUE MOTOR ENGINE BLOCK BLOCCO MOTORE



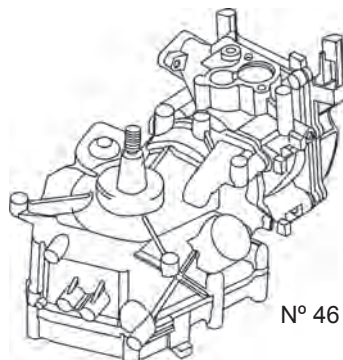
F2.5 AMH/MLH/MSH/MHA (ALL) (2003+)



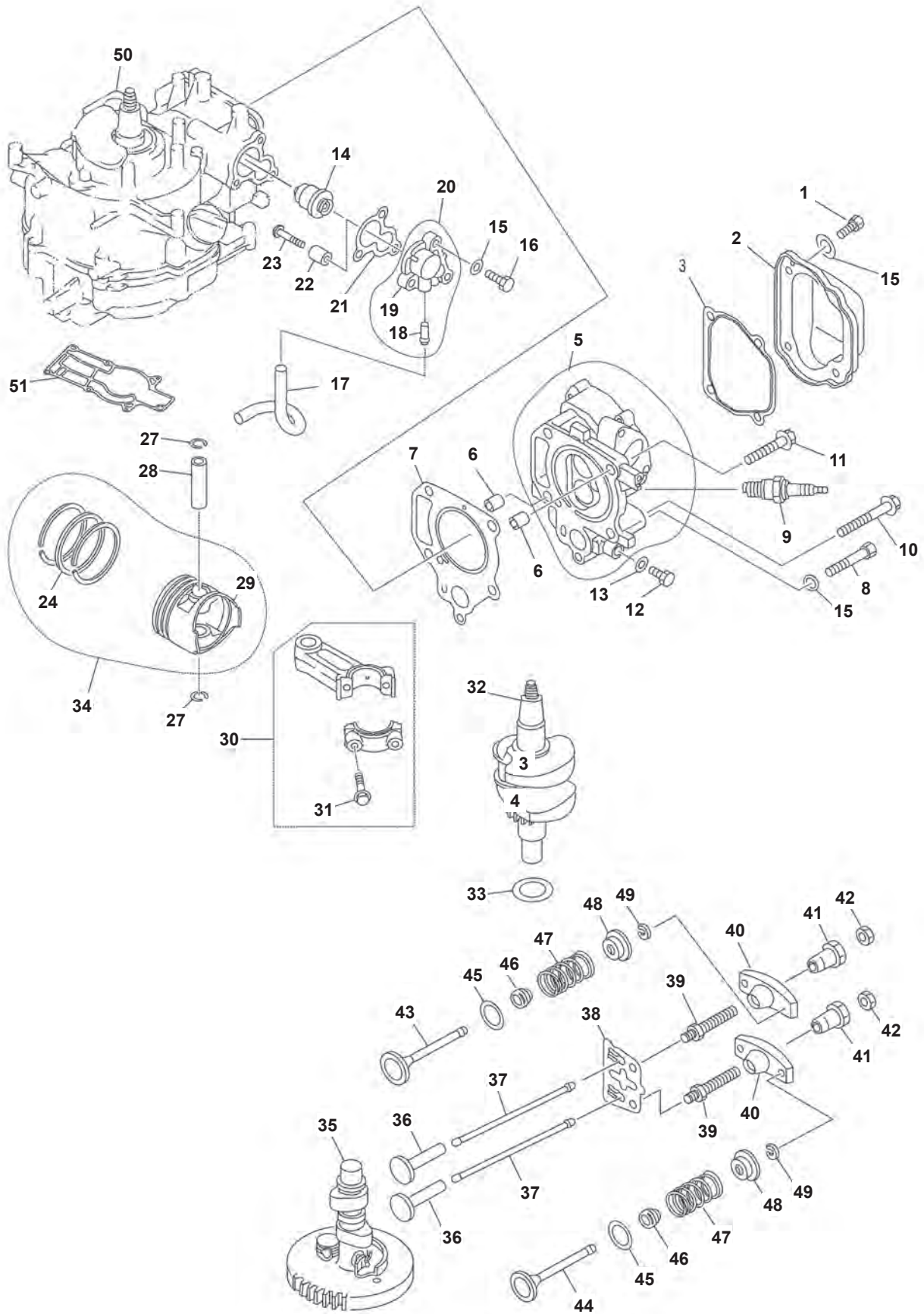
Nº	R.O. OEM	Ref.	Descripción	Description	Descrizione	Cantidad Qty Quantità
1	6H1-14485-00	PAT15-04010202	TUBO AGUA	PIPE, WATER	TUBO ACQUA	1
2	69M-E1311-00-1	PAF2.6-04010100	CARCASA MOTOR	CRANK CASE	COPERCHIO MOTORE	1
3	69M-E5363-00	PAF15-07050004	TAPÓN ACEITE	PLUG, OIL	TAPPO OLIO	1
4	93210-24M79	PAJASO F404 31-025	ARO TÓRICO	O-RING	O-RING	1
5	69M-15361-00	PAF2.6-04010102	INDICADOR NIVEL	GAUGE, LEVEL	INDICATORE LIVELLO	1
6	69M-G2743-00	PAF2.6-04000008	SOPORTE MOTOR	BRACKET, DAMPER	SUPPORTO MOTORE	1
7	6G8-44352-00	PAF2.6-04000009	GOMA SOPORTE	RUBBER BLOCK, DAMPER	GOMMA SUPPORTO	2
8	92995-06600		TORNILLO	BOLT	VITE	2
9	92995-06600		ARANDELA	WASHER	RONDELLA	11
10	93102-20108	PAF2.6-04010001	RETÉN	OIL SEAL	PARAOLIO	2
11	69M-11351-A0	PAF2.6-04000004	JUNTA MOTOR	CRANK CASE COMPLEX GASKET	GUARNIZIONE	1
12	93306-272Y2		RODAMIENTO	BALL BEARING	CUSCINETTO	1
13	95817-06012		BOLT	TORNILLO	VITE	1
14	69M-E3102-00	PAF2.6-04050100	PIÑÓN	GEAR UNIT ASSY	PIGNONE	1
15	93604-12M07	PAF15-00000013	PIN	PIN	SPINOTTO	2
16	97095-08014		TORNILLO	BOLT	VITE	1
17	90201-08818-00	PAF4-04000006	ARANDELA	WASHER	RONDELLA	2
18	90105-08M76	PAF4-04000001	TORNILLO DRENAJE	BOLT, DISCHARGING OIL	VITE DRENAGGIO	1
19	93102-09004		RETÉN Y CUERPO	OIL SEAL SHELL ASSY	GUARNIZIONE E CORPO	1
20	93210-09004	PAF2.6-04060002	RETÉN	OIL SEAL	PARAOLIO	2
21	93210-35537	PAF4-04060002	ARO TÓRICO	O RING	O-RING	1
22	69M-E5396-00	PAF2.6-04060001	CUERPO RETÉN	SHELL, OIL SEAL	GUARNIZIONE CORPO	1
23	90465-08M99	PAGB/T5783-2000	TORNILLO	BOLT	VITE	1
24	90465-08M99	PAF25-05000013	BRIDA SUJECIÓN	CLAMP A	FLANGIA	1
25	97013-06045	PAGB/T5783-2000	TORNILLO	BOLT	VITE	8
26	69M-E5111-00-1S	PAF2.6-04050001	CARTER	CRANKCASE COVER	CARTER	1



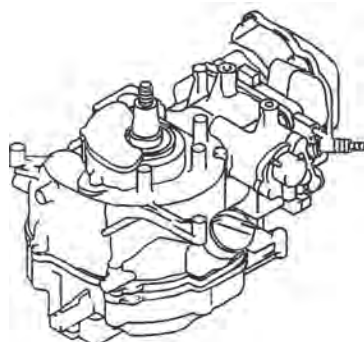
Nº	R.O. OEM	Ref.	Descripción	Description	Descrizione	Cantidad Qty Quantità
1	97095-06020		TORNILLO	BOLT	VITE	3
2	92995-06600		ARANDELA	WASHER, PLATE	RONDELLA	9
3	69M-E2413-00-1S	PAF2.6-04000501	TAPA TERMOSTATO	COVER, THERMOSTAT	TAPPO TERMOSTATO	1
4	68D-E2414-A0	PAF4-04000011	JUNTA TAPA TERMOSTATO	GASKET, THERMOSTAT	GUARNIZIONE TAPPO TERMOSTATO	1
5	68D-E1325-00	PAF-04070003	ÁNODO	ANODE	ANODO	1
6	97880-05025		TORNILLO	SCREW, PAN HEAD	VITE	1
7	650-24378-00	PAF4-04010002	PIPA	PIPE, JOINT	TUBO	1
8	90445-09808	PAF2.6-04000007	TUBO DE AGUA	PIPE, WATER	TUBO DELL'ACQUA	1
9	69M-12411-01	PAT15-04000010	TERMOSTATO	THERMOSTAT	TERMOSTATO	1
10	69M11193-AO	PAF2.6-04000005	JUNTA TAPA BALANCINES	GASKET, CYLINDER COVER	GUARN. COPERCHIO PUNTERIE	1
11	67D-11133-10		GUÍA VÁLVULA	VALVE GUIDE BUSH	GUIDA VALVOLA	2
12	69M-E1111-00-1S	PAF2.6-04040100	CULATA	CYLINDER HEAD ASSY	TESTATA	1
13	676-11372-00	PAF15-04000005	PIPA	SPILE WATER ASSY	TUBO	1
14	93604-12M07	PAF15-00000013	PIN	GEAR UNIT ASSY	SPINOTTO	2
15	69M-11181-00	PAF2.6-04000001	JUNTA CULATA	GASKET, CYLINDER HEAD	GUARNIZIONE TESTATA	1
16	94702-00248	NGKBR6HS	BUJÍA	SPARK PLUG	CANDELA	1
17	90105-08M36	PAF4-04000034	TORNILLO	BOLT	VITE	4
18	90105-06039		TORNILLO	BOLT	VITE	6
19	68D-E2138-40	PAF2.6-070000008	ADHESIVO	MARK 8	ADESIVO	1
20	67D-42797-10	PAF4-08000110	ADHESIVO	MARK 10	ADESIVO	1
21	69M-E1191-00-1S	PAF2.6-04000006	TAPA BALANCINES	COVER, CYLINDER HEAD	COPERCHIO PUNTERIE	1
22	69M-E1603-01	REC69M-E1603-01	AROS KIT	PISTON RING KIT	FASCIA KIT	1
25	93450-13130	PAF2.6-04020006	CLIP	CIRCLIP	CLIP	2
26	69M-E1633-00	PAF2.6-04020005	BULÓN	PIN, PISTON	BULLONE	1
27	69M-E1631-01-96	PAF2.6-04020001	PISTÓN	PISTON	PISTONE	1
28	69M-11650-00	PAF2.6-04020100	BIELA	ROD, CONNECTING	BIELLA	1
29	7FK-11654-00	PAF2.6-04000003	TORNILLO	BOLT	VITE	2
30	69M-11400-00	PAF2.6-04030000	CIGÜEÑAL	CRANK ASSY	ALBERO MOTORE	1
31	90201-23008	PAF2.6-04000003	ARANDELA	WASHER, PLATE	RONDELLA	1
32	7FK-12158-00	PA166F-010011	TUERCA	LOCK NUT	GHIERA	2
33	7FK-12165-00	PA166F-010010	TUERCA BALANCÍN	PIVOT, ROCKER ARM	DADO BILANCERE	2
34	67D-12151-00	PA166F-010009	BALANCÍN	ARM, VALVE ROCKER	BILANCERE	2
35	67D-12157-00	PA166F-010008	TORNILLO BALANCÍN	BOLT, ROCKER ARM	VITE PUNTERIE	2
36	7NJ-12118-00	PA166F-010006	SEGURO VÁLVULA	CLAMP, VALVE	VALVOLA DI SICUREZZA	2
37	7NJ-12117-00	PAF4-04080010	RETÉN RESORTE	SPRING, VALVE RETAINER	VALVOLA DI RITEGNO	2
38	68D-E2113-00	PAF4-04080008	MUELLE	SPRING, VALVE STEM	MOLLA	2
39	51Y-12119-00	PA166F-010003	RETÉN	SEAT, VALVE STEM	GUARNIZIONE	2
40	67D-12111-00	PA166F-010001	VÁLVULA ADMISIÓN	VALVE, INTAKE	VALVOLA ASPIRAZIONE	1
41	67D-12121-00	PA166F-010002	VÁLVULA ESCAPE	VALVE, EXHAUST	VALVOLA SCARICO	1
42	69M-E2155-00	PAF2.6-04040001	PLETINA	PLATE, PUSH ROD	ASTA	1
43	69M-12154-00	PAF2.6-04000002	VARILLA	ROD, VALVE PUSH	VALVOLA SPINTA	2
44	JA9-12153-00	PA166F-000001	EMPUJADOR	LIFTER, VALVE	BILANCERE	2
45	69M-12170-01	PAF2.6-04000100	ÁRBOL DE LEVAS	CAMSHAFT ASSY	ALBERO MOTORE	1
46	69M-WE0090-01-1S	POWERHEAD 2.6	MOTOR	POWER HEAD	MOTORE	1
47	69M-45113-A0	PAF2.6-00000003	JUNTA BASE MOTOR	GASKET ENGINE	GUARNIZIONE BASE MOTORE	1



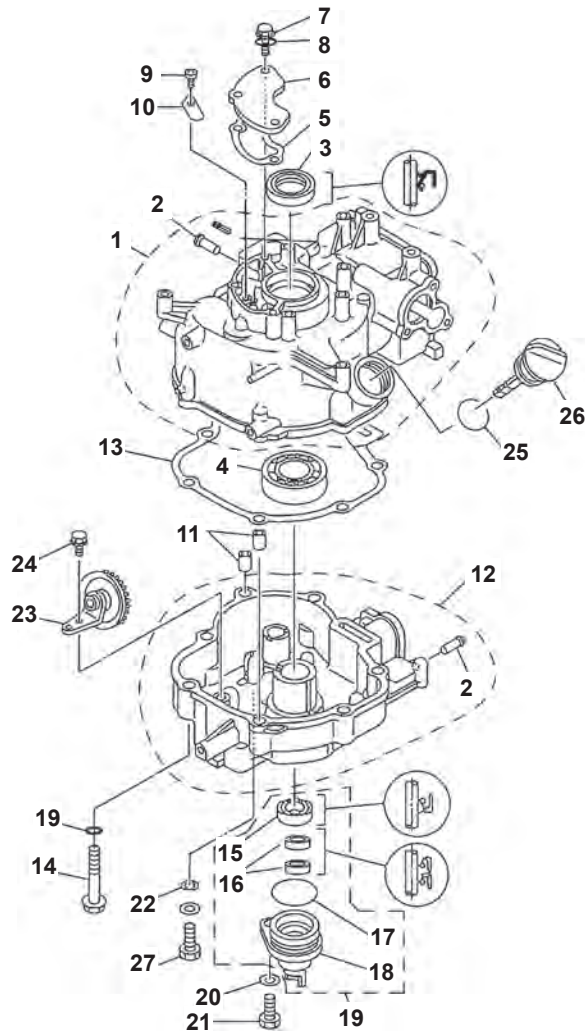
Nº 46



Nº	R.O. OEM	Ref.	Descripción	Description	Descrizione	Cantidad Qty Quantità
1	40105-06M14-00		TORNILLO	BOLT, HEXAGON	VITE	4
2	67D-11191-00	PAF4-04000018	TAPA BALANCINES	COVER,CYLINDERHEAD	COPERCHIO BILANCERE	1
3	68D-E1193-A0	PAF4-04000017	JUNTA TAPA	GASKET, CYLINDER COVER	GUARNIZIONE COPERCHIO	1
4		PAF4-04080002	CONECTOR	PIPE, VALVE	CONNETTORE	2
5	68D-E1111-10-1S	PAF4-04080101	CULATA	CYLINDER, HEAD	TESTATA	1
6	99510-10114	PAF4-04000003	PIN	PIN, HOLLOW	SPINOTTO	2
7	67D-11181-A0	PAF4-04000014	JUNTA CULATA	GASKET, CYLINDER HEAD	GUARNIZIONE TESTATA	1
8	40105-06M25-00		TORNILLO	BOLT, HEXAGON	VITE	1
9	94702-00248	NGKBPR7HS	BUJÍA	PLUG, SPARK	CANDELA	1
10	90105-08M36-00	PAF4-04000034	TORNILLO	BOLT, CYLINDER HEAD "A"	VITE	3
11	90105-08046-00	PAF4-04000033	TORNILLO	BOLT	VITE	1
12	97095-08014-00		TORNILLO	BOLT, HEXAGON	VITE	1
13	90430-08800-00		ARANDELA	WASHER, PLATE	RONDELLA	1
14	69M-12411-01	PAT15-04000010	TERMOSTATO	TEHRMOSTAT	TERMOSTATO	1
15	92995-066000-00		ARANDELA	WASHER, PLATE	RONDELLA	8
16	97095-06020-00		TORNILLO	BOLT, HEXAGON	VITE	3
17	90445-09807	PAF4-04000012	TUBO	PIPE, RETURN	TUBO	1
18	650-24378-00	PAF4-04010002	CONECTOR	SPILEWATER	CONNETTORE	1
19		PAF4-04070001	TAPA TERMOSTATO	COVER, THERMOSTAT	COPERCHIO TERMOSTATO	1
20	68D-E2413-001S	PAF4-04070100	TAPA TERMOSTATO	COVER ADN SPLIE WATER ASSY	TAPPO TERMOSTATO	1
21	68D-E2414-A0	PAF4-04000011	JUNTA TAPA TERMOSTATO	GASKET, THERMOSTAT	GUARN. COPERCHIO TERMOSTATO	1
22	68D-E1325-00	PAF4-04070003	ÁNODO	ANODE	ÁNODO	1
23	97880-05025-00		TORNILLO	SCREW, PANHEAD	VITE	1
24	68D-E1603-00	REC68D-E1603-00	ARO PISTÓN KIT	PISTONRING KIT	FASCIA PISTONE KIT	1
27	93450-14088	PAF4-04020006	CLIP	CIRCLIP	CLIP	2
28	68D-E1633-00	PAF4-04020005	BULÓN	PIN, PISTON	BULLONE	1
29	68D-E1631-00-96	PAF4-04020001	PISTÓN	PISTON	PISTONE	1
30	67D-11650-00	PAF4-04020100	BIELA	ROD, CONNECTING	BIELLAA	1
31		PAF4-04020103	TORNILLO	BOLT, ROD CLEVEL	VITE	2
32	67D-11400-00	PAF4-04030000	CIGÜENAL	CRANK ASSY	ALBERO MOTORE	1
33	90201-266P2	PAF4-04000004	ARANDELA	WASHER, PLATE	RONDELLA	1
34		PAF4-04020200	PISTÓN	PISTON ASSY	PISTONE	1
35	68D-E2170-00	PAF4-04040000	ÁRBOL DE LEVAS	CAMSHAFT ASSY	ALBERO MOTORE	1
36	JA9-12153-00	PAPS2700.0302	EMPUJADOR	LIFTER, VALVE	BILANCERE	2
37	67D-12154-00	PAF4-04000015	VARILLA	ROD, VALVE PUSH	VALVOLA SPINTA	2
38	68D-E2155-00	PAF4-04080009	PLETINA	PLATE, PUSH ROD	ASTA	1
39	67D-12157-00	PA166F-010008	TORNILLO	BOLT, ROCKER ARM	VITE	2
40	67D-12151-00	PA166F-010009	BALANCÍN	ARM, VALVE ROCKER	BILANCERE	2
41	7FK-12165-00	PA166F-010010	TUERCA BALANCÍN	PIVOT, ROCKER ARM	DADO BILANCERE	2
42	7FK-12158-00	PA166F-010011	TUERCA	LOCKNUTM 6x0.75	GHIERA	1
43	67D-12111-00	PAF4-04080005	VÁLVULA ADMISIÓN	VALVE, INTAKE	VALVOLA ASPIRAZIONE	1
44	67D-12121-00	PAF4-04080006	VÁLVULA ESCAPE	VALVE, EXHAUST	VALVOLA SCARICO	1
45	68T-12116-00	PAF4-04080007	ARANDELAASIENTO	SEAT, VALVE SPRING	RONDELLA BASAMENTO	2
46	51Y-12119-00	PAPS2700.04.03	RETÉN VÁLVULA	SEAT, VALVE STEM	GOMMINO VALVOLA	2
47	68D-E2113-00	PAF4-04080008	MUELLE	SPRING, VALVE INNER	MOLLA	2
48	7NJ-12117-00	PAF4-04080010	RETÉN RESORTE	SPRING, VALVE RETAINER	VALVOLA DI RITEGNO	2
49	7NJ-12118-00	PAF4-04080011	SEGURO VÁLVULA	CLAMP, VALVE	VALVOLA DI SICUREZZA	2
50	680-WE090-11-15	POWERHEAD4-5HP	MOTOR	POWER HEAD 4-5	MOTORE	1
51	67D-45113-A0	PAF4-00000006	JUNTA BASE MOTOR	GASKET ENGINE	GUARNIZIONE BASE MOTORE	1

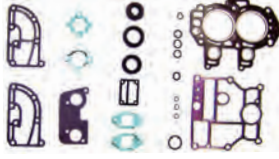
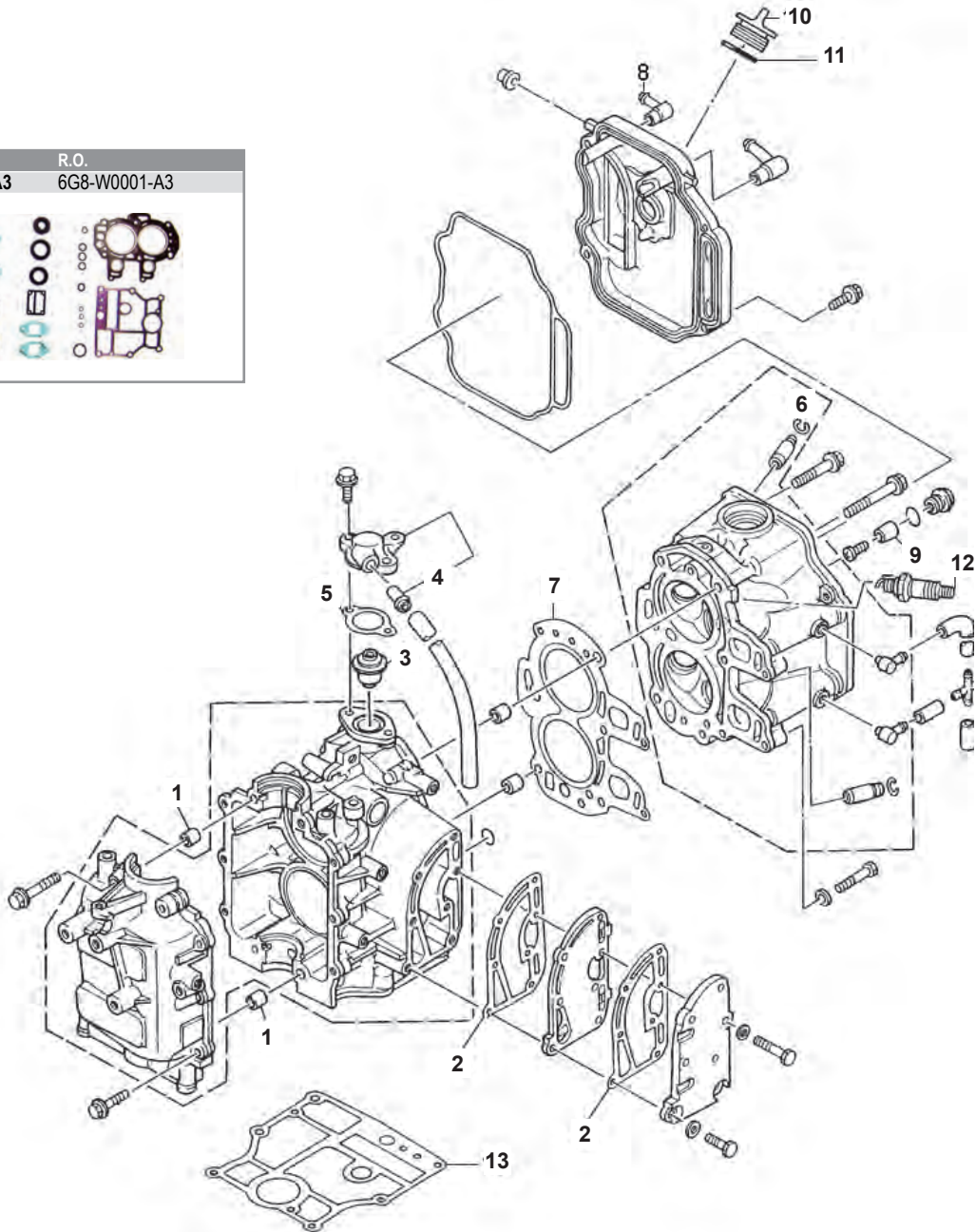


Nº 50

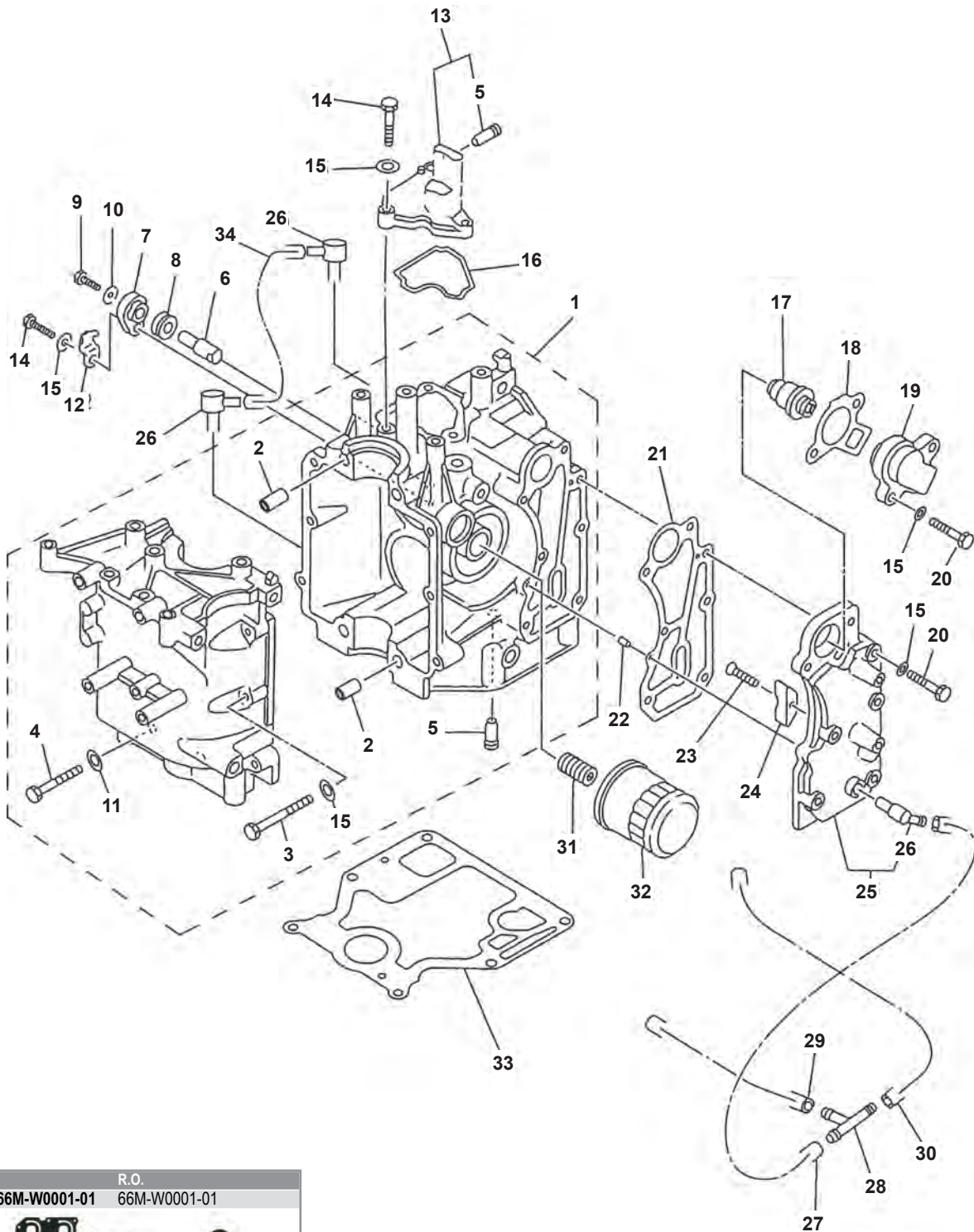


Nº	R.O. OEM	Ref.	Descripción	Description	Descrizione	Cantidad Qty Quantità
1	68D-E1311-02-15	PAF4-04010100	CILINDRO	CRANK CASE	CILINDRO	1
2	650-24378-00	PAF4-04010002	PIPA	PIPE, JOINT	TUBO	1
3	93102-25090	PAF4-04010004	RETÉN	OIL SEAL	PARAOLIO	1
4	93306-205YD	PAGB/T276-94	RODAMIENTO	BEARING	CUSCINETTO	1
5	68D-E1169-A0	PAF4-04000009	JUNTA	BREATHER GASKET	GUARNIZIONE	1
6	68D-E1168-00	PAF4-04000010	TAPA	COVER	TUBO	1
7	90119-06M80-00		TORNILLO	BOLT, HEXAGON	VITE	3
8			ARANDELA	WASHER	RONDELLA	3
9	98503-04066-00		TORNILLO	SCREW, PAN HEAD	VITE	1
10	68D-E5346-00	PAF4-04010003	VÁLVULA	VALVE, BREATHER FLAP	VALVOLA	1
11	99510-10114	PAF4-04000003	PIN	HOLLOWPIN	SPINOTTO	2
12	68D-E5111-00-1S	PAF4-04050001	CARTER	COVER, CRANK CASE	CARTER	1
13	68D-11351-A0	PAF4-04000002	JUNTA CARTER	CRANK CASE COMPLEX	GUARNIZIONE CARTER	1
14	97575-08550-00		TORNILLO	BOLT, HEXAGON	VITE	7
15	93102-20108	PAF4-04060003	RETÉN	OIL SEAL	PARAOLIO	1
16	93102-10004	PAF4-04060004	RETÉN	OIL SEAL	PARAOLIO	2
17	93210-35537	PAF4-04060002	TÓRICA	O-RING	O-RING	1
18	68D-E5396-00-5B	PAF4-04060001	CUERPO RETÉN	SHELL, OIL SEAL	CORPO GUARNIZIONE	1
19		PAF4-04060000	CUERPO RETÉN COMPLETO	OIL SEAL, SHELL ASSY	CORPO GUARNIZIONE COMPLETO	1
20	92955-08600-00	PAGB/T97.1-85	ARANDELA	WASHER, PLATE	RONDELLA	8
21	97095-08020-00		TORNILLO	BOLT, HEXAGON	VITE	1
22	90201-08818	PAF4-04000006	ARANDELA	WASHER	RONDELLA	1
23	68D-E3102-00	PAF4-04050100	PIÑÓN	GEAR UNIT ASSY	PIGNONE	1
24	95817-06012-00		TORNILLO	BOLT, HEXAGON	VITE	1
25	93210-24M79	PAF4-04000008	TÓRICA	O-RING	O-RING	1
26	68D-E5362-00	PAF4-04000007	TAPÓN MEDIDOR NIVEL	PLUG WITH DIPSTICK	TAPPO LIVELLO	1
27	97095-08020-00	PAF4-04000001	TAPÓN DRENAJE	BOLT, DISCHARGING OIL	TAPPO DRENAGGIO	1

Ref.	R.O.
REC6G8-W0001-A3	6G8-W0001-A3

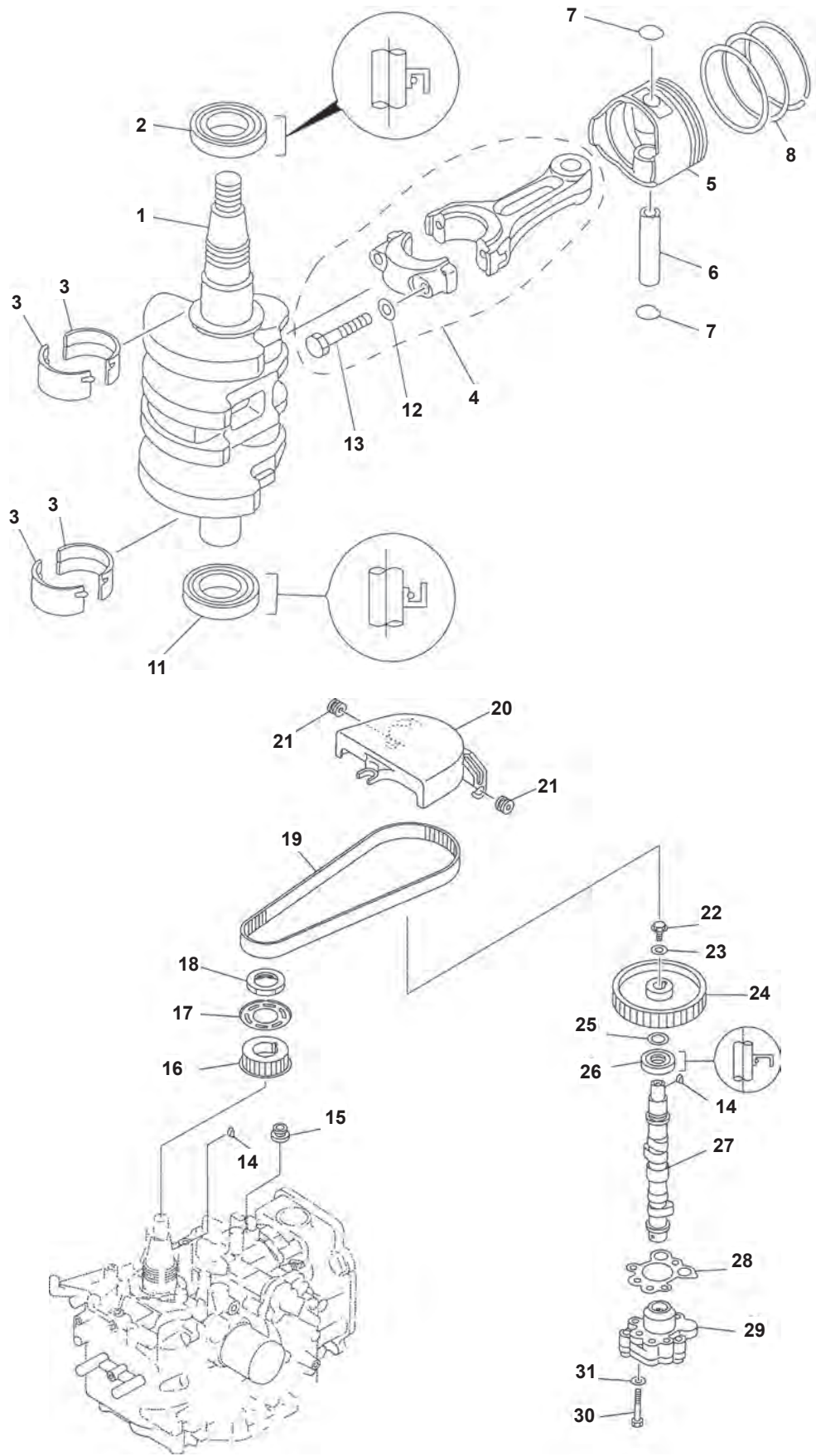
Nº	R.O. OEM	Ref.	Descripción	Description	Descrizione	Cantidad Qty Quantità
1	91810-03014	PAF15-07000001	TORNILLO	BOLT	VITE	2
2	6G8-41112-02	REC6G8-41112-02	JUNTA	GASKET	GUARNIZIONE	2
3	6G8-12411-00	PAT15-04000010	TERMOSTATO	THERMOSTAT	TERMOSTATO	1
4	6E5-24377-00	PAF15-07010006	PIPA	UNION TUBE 2	TUBO	1
5	6G8-12414-00	REC6G8-12414-A0	JUNTA TAPA TERMOSTATO	GASKET	GUARNIZIONE COPERCHIO TERMOSTATO	1
6	93450-09M01	PAF15-07040105	CIERRE	LOCK	FERMO	4
7	6G8-11181-00	REC6G8-11181-A1	JUNTA CULATA	HEAD CYLINDER GASKET 1	GUARNIZIONE TESTATA	1
8	676-11372-00	PAF15-04000005	PIPA	HOSE NIPLE	TUBO	2
9	6G8-11325-00	CM6G8-11325-00	ÁNODO	ANODE	ANODO	1
10	6G8-15363-00	PAF15-07050004	TAPÓN ACEITE	OIL PLUG	TAPPO OLIO	1
11	93210-24M79	PAJASO-F40431-025	TÓRICA	O-RING	O-RING	1
12	94701-00282	NGKCR6HS	BUJÍA	SPARK PLUG	CANDELA	2
13	6G8-11351-00	REC6G8-11351-A0	JUNTA BASE MOTOR	GASKET ENGINE	GUARNIZIONE BASE MOTOR	1



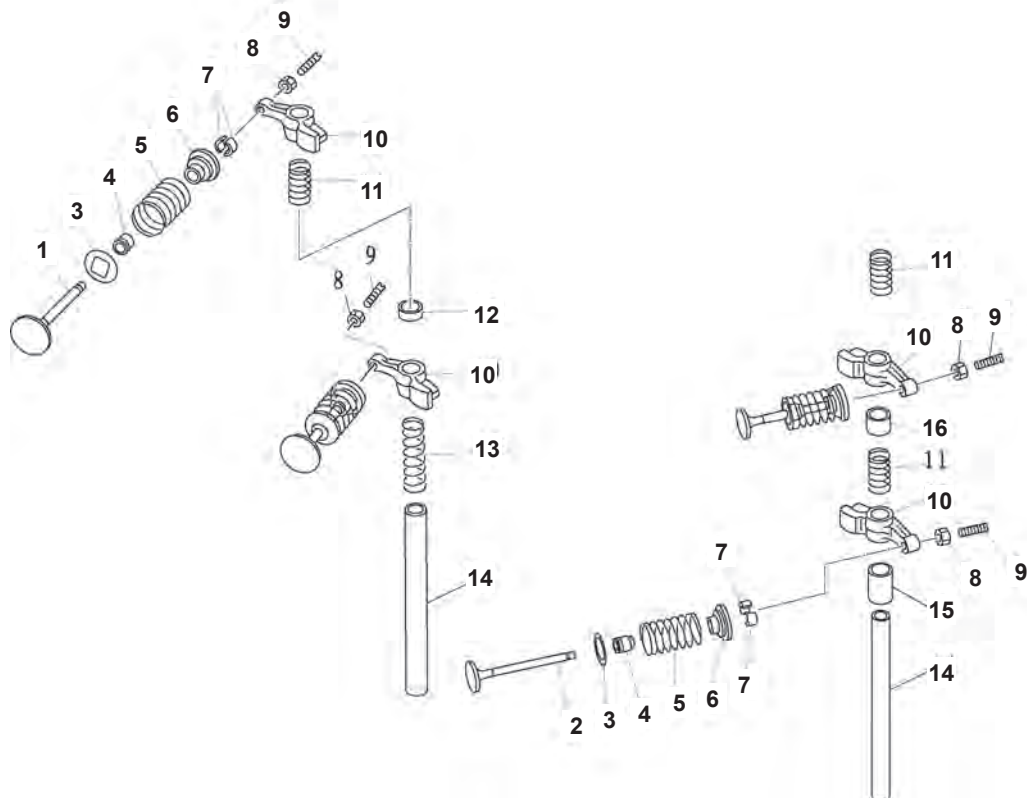
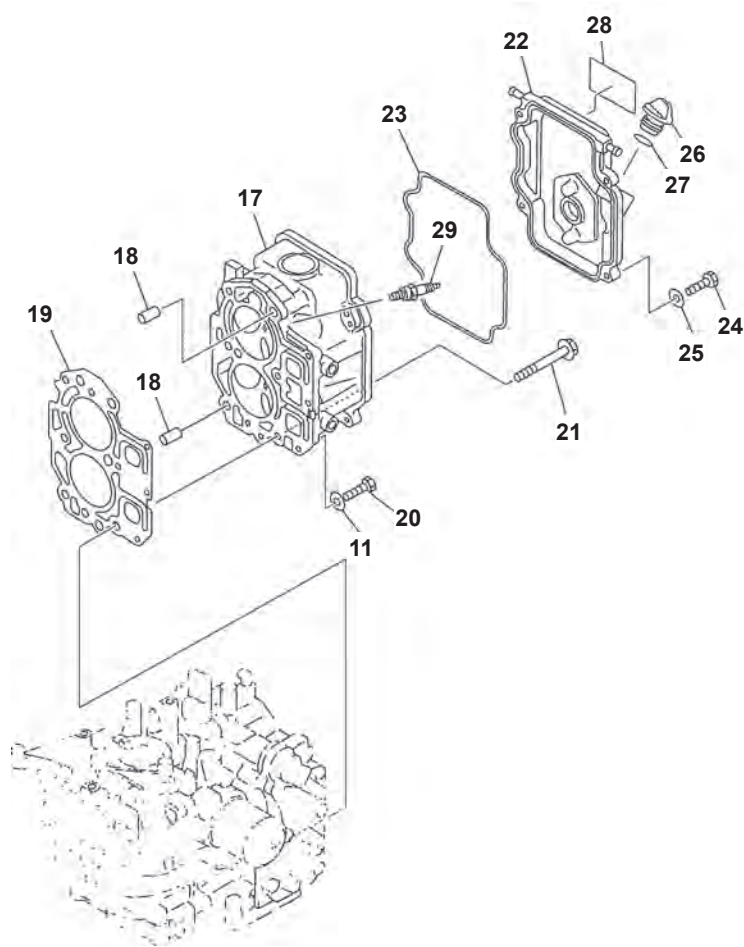
Ref.	R.O.
REC66M-W0001-01	66M-W0001-01

Kit juntas de motor
Power head gasket kit
Kit guarnizione motore

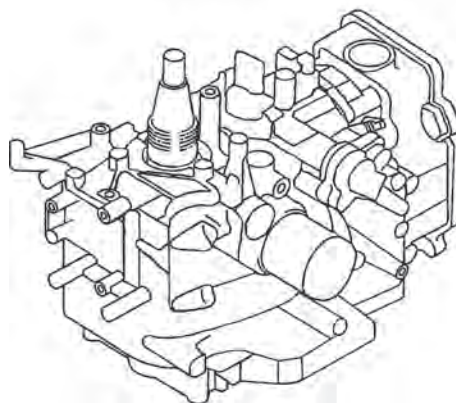
Nº	R.O. OEM	Ref.	Descripción	Description	Descrizione	Cantidad Qty Quantità
1	66M-15100-02-1S	PAF15-07010000	BLOQUE MOTOR	CRANKCASE ASSY	BLOCCO MOTORE	1
2	99510-10114	PAF15-07000001	PIN	PIN, HOLLOW	SPINOTTO	2
3	93102-25090	PAGB/T5783-2000	TORNILLO	BOLT, HEXAGON	VITE	6
4	93306-205YD	PAGB/T5783-2000	TORNILLO	BOLT, HEXAGON	VITE	4
5	6E5-24377-00	PAF15-070100006	PIPA	PIPE, JOINT	TUBO	2
6	66M-11325-00	PAF15-070100008	ÁNODO	ANODE	ANODO	1
7	66M-11327-00-94	PAF15-070100011	TAPA ÁNODO	COVER, ANODE	COPERTURA ANODO	1
8	66M-11328-00	PAF15-070100009	ALOJAMIENTO ÁNODO	GROMMET, ANODE	ALLOGGIAMENTO ANODO	1
9		PAGB/T5783-2000	TORNILLO	SCREW, PAN HEAD	VITE	1
10		PAGB/T97.1-85	ARANDELA	WASHER 5	RONDELLA	1
11		PAGB/T97.1-85	ARANDELA	WASHER 8	RONDELLA	4
12	66M-12535-00	PAF15-07010012	EMPAQUETADORA	PLATE, ANODE	PIASTRA ANODO	1
13	66M-11168-001S	PAF15-07010013	TAPA	COVER, BREATHER	COPERCHIO	1
14	97575-08550-00	PAGB/T5783-2000	TORNILLO	BOLT	VITE	4
15	93102-20108	PAGB/T97.1-85	ARANDELA	WASHER 6	RONDELLA	17
16	66M-11357-00	REC66M-11357-00	JUNTA TAPA	BREATHER GASKET	GUARNIZIONE COPERCHIO	1
16	66M-11357-00	PAF15-07010014	JUNTA TAPA	BREATHER GASKET	GUARNIZIONE COPERCHIO	1
17	66M-12411-01	PAF15-070000031	TERMOSTATO	THERMOSTAT	TERMOSTATO	1
18	62Y-12414-00	REC62Y-12414-00	JUNTA TERMOSTATO	GASKET, THERMOSTAT	GUARNIZIONE TERMOSTATO	1
18	62Y-12414-00	PAF15-07010022	JUNTA TERMOSTATO	GASKET, THERMOSTAT	GUARNIZIONE TERMOSTATO	1
19	6H3-12413-001S	PAF15-07010021	TAPA TERMOSTATO	COVER, THERMOSTAT	COPERCHIO TERMOSTATO	1
20	90201-08818	PAGB/T5783-2000	TORNILLO	BOLT	VITE	7
21	66M-41114-01	REC66M-41114-01	JUNTA	GASKET, EXHAUST OUTER COVER	GUARNIZIONE	1
21	66M-41114-01	PAF15-07010018	JUNTA	GASKET, EXHAUST OUTER COVER	GUARNIZIONE	1
22	93604-12M07	PAF15-0700000013	PIN	O-RING	SPINOTTO	2
23	68D-E5362-00	PAGB/T5783-2000	TORNILLO	SCREW	VITE	1
24	6E5-11325-00	PAF15-07010026	ÁNODO	ANODE	ANODO	1
25	66M-41113-20-1S	PAF15-07010019	TAPA	OUTTER COVER, EXHAUST	COPERCHIO	1
26	676-11372-00	PAF15-04000005	PIPA	WATER NIPPLE	TUBO	3
27	90445-09061	PAF15-05000012	TUBO	HOSE A	TUBO	1
28	688-24378-00	PAF15-05000011	CONECTOR	THREE-WAY PIPE	CONNETTORE	1
29	90445-09086	PAF15-05000013	TUBO	HOSE B	TUBO	1
30	90445-09104	PAF15-05000014	TUBO	HOSE C	TUBO	1
31	90401-20M00	PAF15-07010003	TORNILLO	BOLT UNION	VITE	1
32	5GH-13440-00	PAF15-07010023	FILTRO ACEITE	OIL CLEANER	FILTRO DELL'OLIO	1
32	5GH-13440-00	REC5GH-13440-00	FILTRO ACEITE	OIL CLEANER	FILTRO DELL'OLIO	1
33	66M-11351-10	REC66M-11351-10	JUNTA BASE MOTOR	GASKET, ENGINE	GUARNIZIONE BASE MOTORE	1
33	66M-11351-10	PAF15-00000014	JUNTA BASE MOTOR	GASKET, ENGINE	GUARNIZIONE BASE MOTORE	1
34		PAF15-07010007	TUBO	HOSE, RETURN OIL	TUBO	1



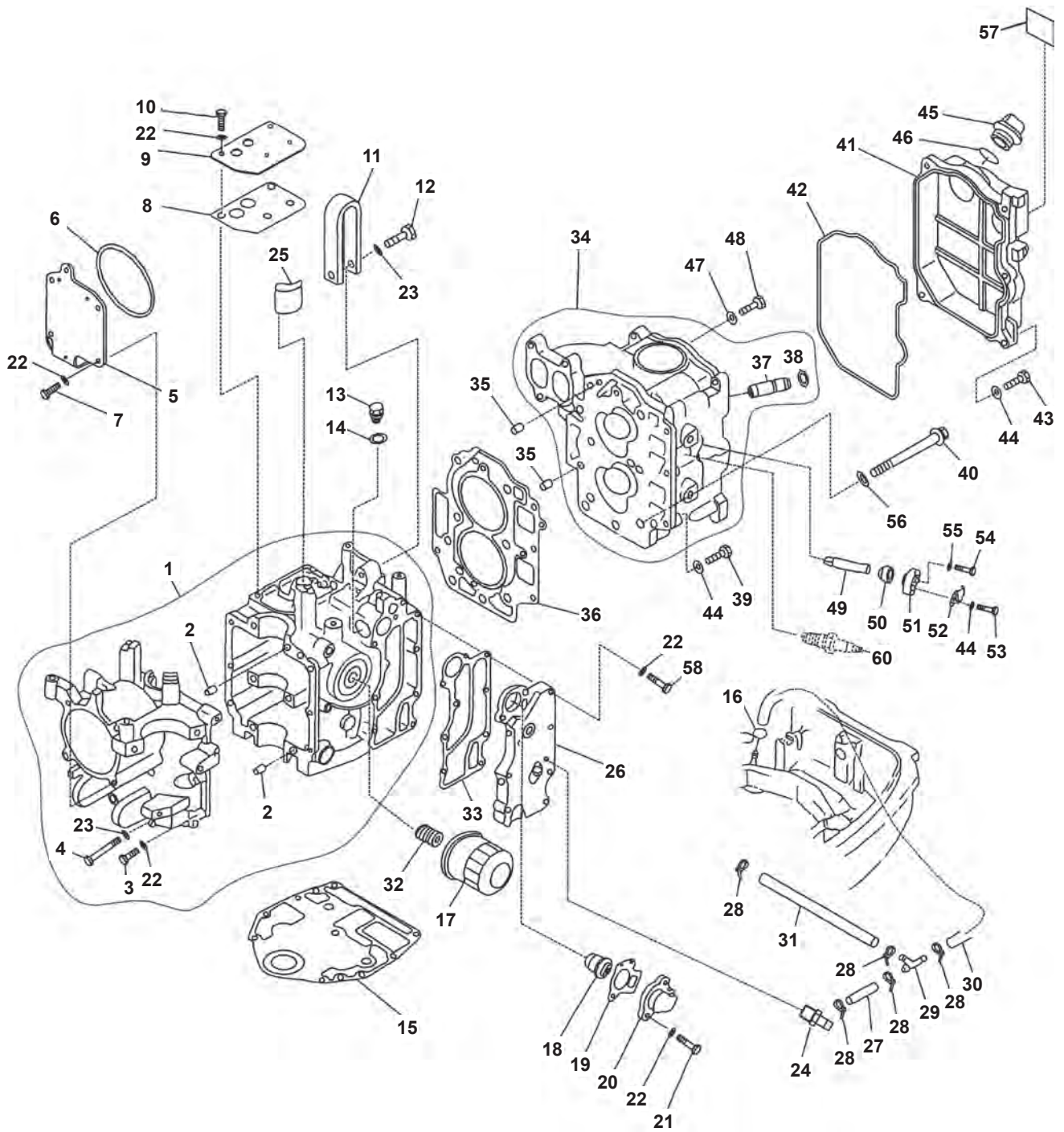
Nº	R.O. OEM	Ref.	Descripción	Description	Descrizione	Cantidad Qty Quantità
1	66M-11411-00	PAF15-07030000	CIGÜEÑAL	CRANK ASSY	ALBERO MOTORE	1
2	93102-35M51	PAF15-07030006	RETÉN	OIL SEAL A	PARAOLIO	1
2	93102-35M51	REC93102-35M51	RETÉN	OIL SEAL A	PARAOLIO	1
3	66M-11416-00	PAF15-07010024	COJINETE BANCADA	MAIN BEARING	CUSCINETTO	4
4	66M-11650-00	PAF15-07020100	BIELA	ROD, CONNECTING	BIELLA	2
5	66M-11631-00-96	PAF15-07020001	PISTÓN	PISTON	PISTONE	2
6	634-11633-00	PAF15-07020006	BULÓN	PIN, PISTON	BULLONE	2
7	93450-15023	PAF15-07020005	CLIP	CIRCLIP	CLIP	4
8	66N-11603-00	REC66N-11603-00	ARO PISTÓN KIT	PISTON RING KIT	FASCIA PISTONE KIT	2
11	93102-25M52	PAF15-07030007	RETÉN	OIL SEAL B	PARAOLIO	1
11	93102-25M52	REC93102-25M52	RETÉN	OIL SEAL B	PARAOLIO	1
12	90201-07M01		ARANDELA	WASHER, PLATE	RONDELLA	4
13	66M-11654-00		TORNILLO	BOLT CONNECTING ROD	VITE	4
14	90280-03M01	PAGB/T1099-1979	CHAVETA	KEY, WOODRUFF	CHIAVETTA	1
15	90480-12072	PAF15-07010027	GOMA	RUBBER RING B	GOMMINO	1
16	66M-11536-10	PAF15-07030003	POLEA DENTADA	BELT PULLEY, TIMING	PULEGGIA	1
17	66M-11557-00	PAF15-07030004	ARANDELA	WASHER	RONDELLA	1
18	90170-28M37	PAF15-07030005	TUERCA	NUT	GHIERA	1
19	66M-46241-00	PAF15-07000002	CORREA DISTRIBUCIÓN	BELT TIMING	CINGHIA DISTRIBUZIONE	1
20	66M-46297-00	PAF15-07000024	TAPA	COVER, DUST	COPERCHIO	1
21	90480-10M16	PAF15-07050003	GOMA	RING RUBBER A	GOMMINO	2
22	97013-06016	PAGB/T5783-2000	TORNILLO	BOLT	VITE	1
23	90201-06M94	PAGB/T5287-85	ARANDELA	BIG WASHER	RONDELLA	1
24	66M-11537-00-94	PAF15-07040018	POLEA	BELT PULLEY, DRIVEN	PULEGGIA	1
25	90201-13201	PAF15-07040017	ARANDELA	WASHER	RONDELLA	1
26	93102-18M21	PAF15-07040008	RETÉN	OIL SEAL	PARAOLIO	1
26	93102-18M21	REC93102-18M21	RETÉN	OIL SEAL	PARAOLIO	1
27	66M-12170-00	PAF15-07040200	ÁRBOL DE LEVAS	CAMSHAFT ASSY	ALBERO MOTORE	2
28	66M-13329-10	PAF15-07040016	JUNTA	MAT, QIRPROOF	GUARNIZIONE	1
29	66M-13300-10	PAF15-07040500	BOMBA ACEITE	OIL PUMP ASSY	POMPA DELL'OLIO	1
30	97095-06035	PAGB/T5783-2000	TORNILLO	BOLT	VITE	3
31	92995-06600	PAGB/T97.1-85	ARANDELA	WASHER	RONDELLA	3



Nº	R.O. OEM	Ref.	Descripción	Description	Descrizione	Cantidad Qty Quantità
1	66M-12111-00	PAF15-07040001	VÁLVULA ADMISIÓN	VALVE, INTAKE	VALVOLA ASPIRAZIONE	2
2	66M-12121-00	PAF15-07040002	VÁLVULA ESCAPE	VALVE, EXHAUST	VALVOLA SCARICO	2
3	66M-12116-00	PAF15-07040004	ASIENTO MUELLE	SEAL, VALVE SPRING	MOLLA VALVOLA	4
4	51Y-12119-00	PAPS2700.04.03	RETÉN	SEAL, VALVESTEM	GUARNIZIONE	4
5	66M-12113-00	PAF15-07040005	MUELLE	SPRING, VALVE	MOLLA	4
6	30X-12117-00	PAF15-07050006	RESORTE	RETAINER, VALVE SPRING	FERMA VALVOLA	4
7	30X-12118-00	PAF15-07040007	SEGURO VÁLVULA	COTTER, VALVE	VALVOLA DI SICUREZZA	8
8	62Y-12158-00	PAF15-07040304	TUERCA	LOCK NUT	GHIERA	4
9	62Y-12159-00	PAF15-07040303	REGULADOR	SCREW, VALVE ADJUSTING	REGOLATORE	4
10	66M-12151-10	PAF15-07040301	BALANCÍN	ROCKER	BILANCERE	4
11	90501-12M40	PAF15-07040014	MUELLE	SPRING, ROCKER B	MOLLA	3
12	90387-13001	PAF15-07040009	ALOJAMIENTO	BUSHER, VALVE INTAKE	GOMMINO VALVOLA	1
13	90501-12M41	PAF15-07040013	MUELLE	SPRING, ROCKER A	MOLLA	1
14	66M-12146-00	PAF15-07040015	EJE	SHAFT, ROCKER	ASSE	2
15	90387-13M56	PAF15-07040012	CASQUILLO	BUSHER, VALVE EXHAUST B	COPERCHIO	1
16	90387-13002	PAF15-07040011	CASQUILLO	BUSHER, VALVE EXHAUST A	COPERCHIO	1
17	66M-11111-01-1S	PAF15-07040100	CULATA	CYLINDER HEAD ASSY	TESTATA	1
18	99510-10114	PAF15-07000001	PIN	HOLLOW PIN	SPINOTTO	2
19	66M-11181-10	PAF15-07000100	JUNTA CULATA	GASKET, CYLINDER HEAD	GUARNIZIONE TESTATA	1
20	97513-06525		TORNILLO	BOLT, HEXAGON	VITE	3
21	90105-08M78	PAF15-07000028	TORNILLO	BOLT, FLANGE	VITE	6
22	66M-11191-00-1S	PAF15-07050001	TAPA BALANCINES	COVER, CYLINDER HEAD	COPERCHIO BILANCERE	1
23	66M-11356-00	REC66M-11356-00	JUNTA TAPA	SEAL, CYLINDER COVER	GUARNIZIONE TAPPO	1
24	97595-06520		TORNILLO	BOLT, HEXAGON	VITE	4
25	92995-06600	PAGB/T79.1-85	ARANDELA	WASHER, PLATE	RONDELLA	7
26	6G8-15363-00	PAF15-07050004	TAPÓN ACEITE	PLUG, OIL	TAPPO OLIO	1
27	93210-24M79	PAJA80 F404 31-025	TÓRICA	O-RING	O-RING	1
28	66M-12138-60	PAF15-10030001	ADHESIVO	MARK 4	ADESIVO	1
29	94701-00375	NGKDPR7EA-9	BUJÍA	SPARK PLUG	CANDELA	2
30	66M-W009B-15-1S	POWERHEAD9.9-15	MOTOR	POWER HEAD COMPLETE	MOTORE	15

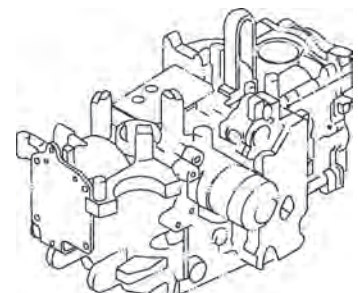


Nº 30



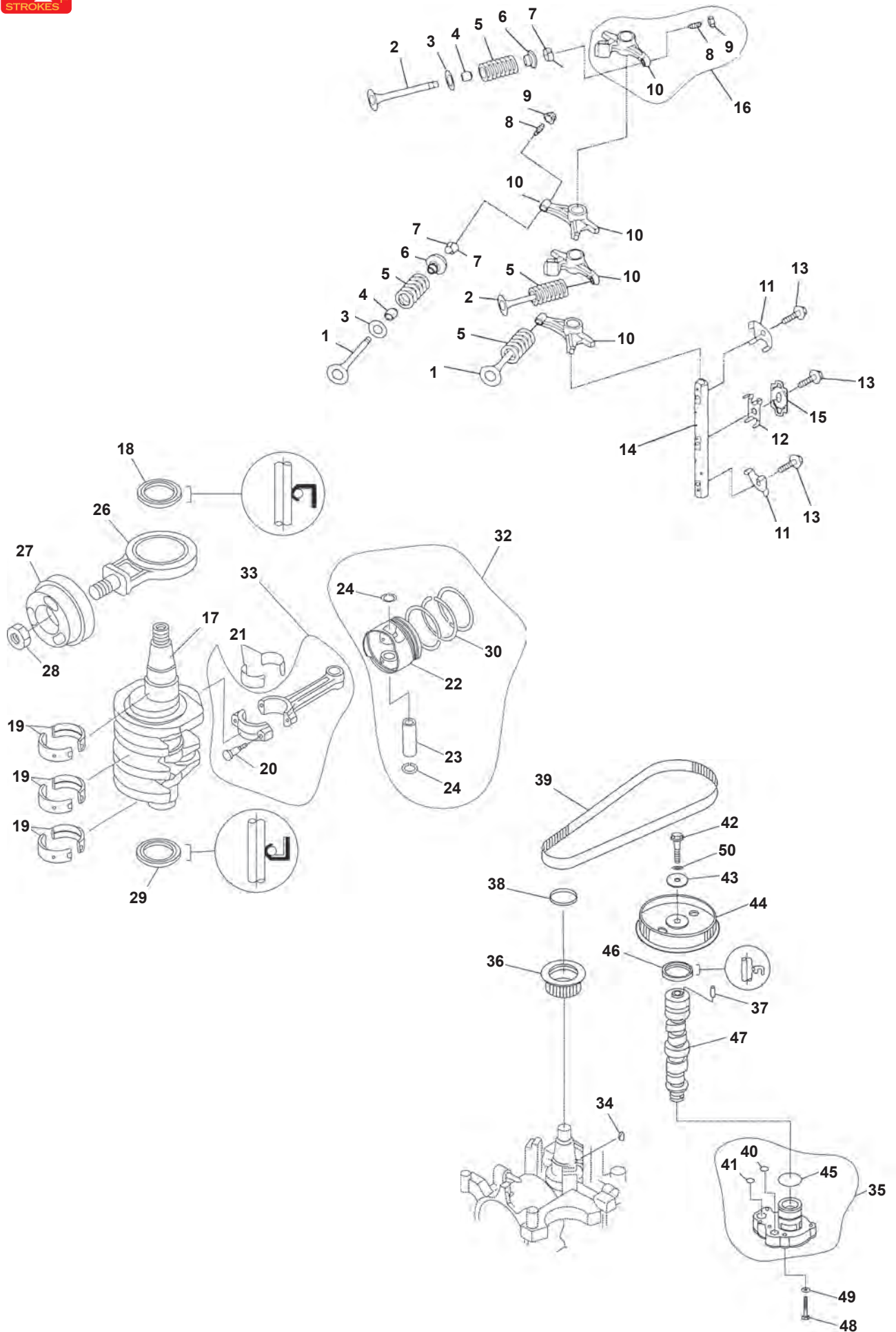
Ref.	R.O.
REC65W-W0001-00	65W-W0001-02

Kit juntas de motor
Power head gasket kit
Kit guarnizione motore

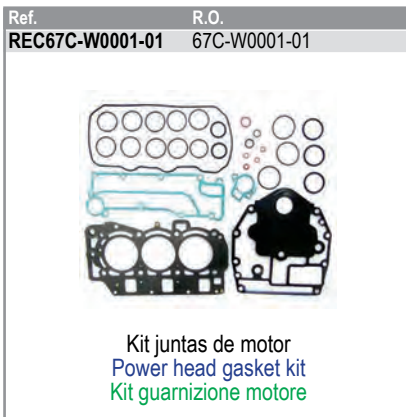
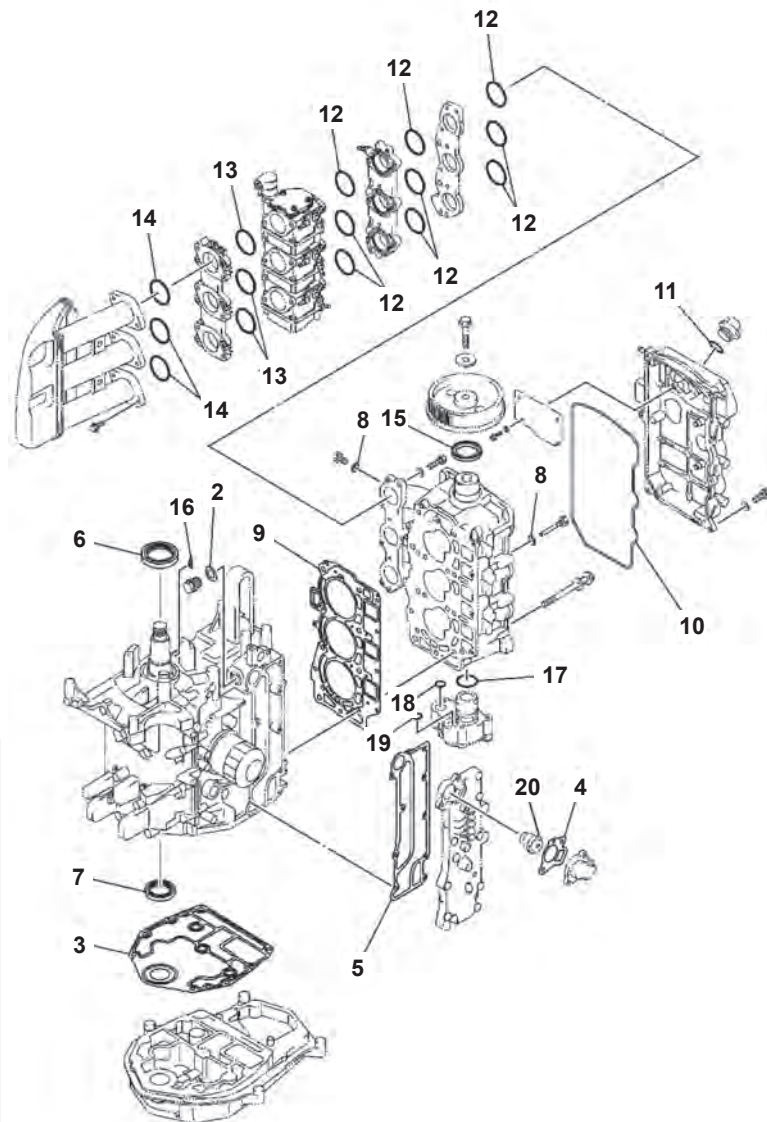


59

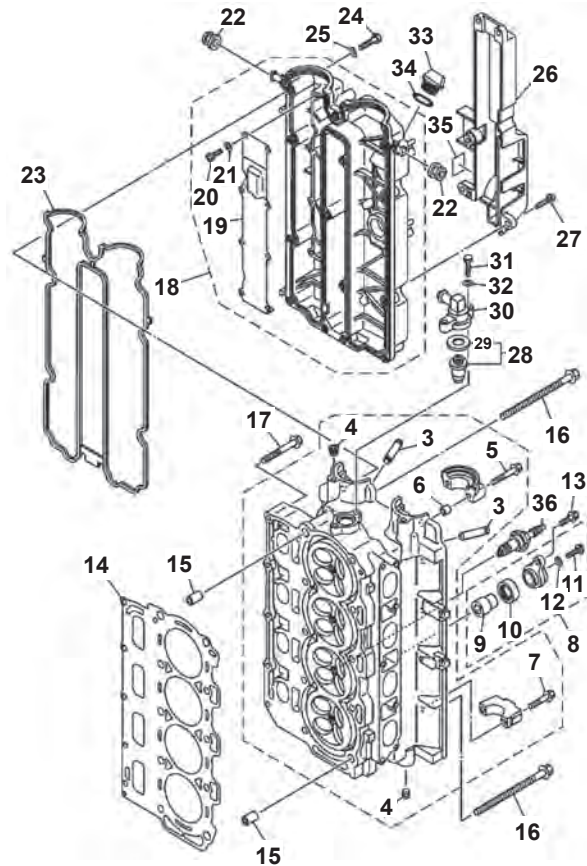
Nº	R.O OEM	Ref.	Descripción	Description	Descrizione	Cantidad Quanti Quantità
1	65W-15100-00-94	PAF25-05010000	BLOQUE	CRANKCASE ASSY	BLOCCO	1
2	99530-08012	PAF25-00000014	PIN	PIN, DOWEL	SPINOTTO	2
3	90119-06MA5		TORNILLO	BOLT, HEXAGON	VITE	6
4	90119-08M01		TORNILLO	BOLT, HEXAGON	VITE	6
5	65W-15121-00	PAF25-05000007	TAPA	CRANKCASE	COPERCHIO	1
6	65W-15663-00	PAGB/T3452.1-1992	JUNTA	SEAL	GUARNIZIONE	1
7	65W-12228-00		TORNILLO	BOLT, HEXAGON	VITE	4
8	65W-11169-00	PAF25-05010108	JUNTA	GASKET, BREATHERCOVER	GUARNIZIONE	1
9	65W-11168-00	PAF25-05010109	TAPA	COVER, BREATHER	TAPPO	1
10	65W-12228-00		TORNILLO	BOLT, HEXAGON	VITE	4
11	66W-11119-00	PAF25-05010106	SOPORTE	HANGER, ENGINE	SUPPORTO	1
12	65W-08M87		TORNILLO	BOLT, HEXAGON	VITE	1
13	90340-14M06	PAF15-04000002	TORNILLO DRENAJE	BOLT, OIL DRAIN	VITE DRENAGGIO	1
14	90430-14M09	PAF15-04000003	ARANDELA	WASHER	RONDELLA	1
15	65W-11351-00	PAF25-00000013	JUNTA BASE MOTOR	GASKET, ENGINE	GUARNIZIONE BASE MOTORE	1
16	90467-09M09	PAF4-04000030	MUELLE	SPRING, FUEL PIPE "B"	MOLLA	1
17	5GH-13440-00	PAF25-05000100	FILTRO ACEITE	OIL CLEANER	FILTRO OLIO	1
17	5GH-13440-00	REC5GH-13440-00	FILTRO ACEITE	OIL CLEANER	FILTRO OLIO	1
18	6G8-12411-02	PAF15-07000031	TERMOSTATO	THERMOSTAT	TERMOSTATO	1
19	62Y-12414-00	PAF15-07010022	JUNTA TERMOSTATO	GASKET, THERMOSTAT	GUARNIZIONE TERMOSTATO	1
20	6H3-12413-00-9M	PAF15-07010021	TAPA TERMOSTATO	COVER, TEHRMOSTAT	TAPPO TERMOSTATO	1
21	90119-06MA5		TORNILLO	BOLT	VITE	2
22	66M-11356-00	PAGB/T97.1-85	ARANDELA	WASHER 6	RONDELLA	17
23	97595-06520	PAGB/T97.1-85	ARANDELA	WASHER 8	RONDELLA	7
24	62Y-11372-01	PAF25-05010113	PIPA	NIPPLE, HOSE	TUBO	1
25	65W-13286-00	PAF25-05010107	FILTRO	CLEANER	FILTRO	1
26	65W-41113-01-94	PAF25-05010112	TAPA	OUTTER COVER, EXHAUST	TAPPO	1
27	90445-09068	PAF25-03000008	TUBO	HOSE	TUBO	1
28	90465-11M10	PAHT-2.5x60	BRIDA	CLAMP	FLANGIA	5
29	688-24378-00	PAF15-05000011	CONECTOR	THREE-WAY PIPE	CONNETTORE	1
30	90445-09105	PAF25-03000011	TUBO	HOSE	TUBO	1
31	90445-09095	PAF25-03000009	TUBO	HOSE	TUBO	1
32	90401-20M00	PAF15-07010003	TORNILLO	BOLT, UNION	VITE	1
33	65W-41114-00	PAF25-05010111	JUNTA	GASKET, EXHAUST OUTER COVER	GUARNIZIONE	1
34	65W-11111-02-94	PAF25-05050100	CULATA	CYLINDER ASSY	TESTATA	1
35	99530-08012	PAF25-00000014	PIN	PIN, DOWEL	SPINOTTO	2
36	65W-11181-30	PAF25-05040000	JUNTA CULATA	GASKET, CYLINDER HEAD	GUARNIZIONE TESTATA	1
37	62Y-11133-10	PAF25-05050104	GUÍA VÁLVULA	VALVE GUIDE BUSH	GUIDA VALVOLA	4
38	93450-09M01	PAF15-07040105	CLIP	CIRCLIP, GUIDE BUSH	CLIP	4
39	90119-06MA3		TORNILLO	BOLT, HEXAGON	VITE	6
40	90119-09M00	PAF25-05000002	TORNILLO	BOLT, FLANGE	VITE	9
41	65W-11191-00-94	PAF25-05000005	TAPA BALANCINES	COVER, CLYLINDER HEAD	TAPPO BILANCERE	1
42	65W-11356-00	PAF25-05000004	JUNTA TAPA	SEAL, CYLINDER COVER	GUARNIZIONE TAPPO	1
43	90119-06MA3		TORNILLO	BOLT, HEXAGON	VITE	5
44		PAGB/T97.1-85	ARANDELA	WASHER, PLATE	RONDELLA	10
45	6G8-15363-00	PAF15-07050004	TAPÓN ACEITE	PLUG, OIL	TAPPO OLIO	1
46	93210-24M79		TÓRICA	O-RING	O-RING	1
47	90430-06014	PAF25-05050007	JUNTA	GASKET	GUARNIZIONE	1
48	90109-06M65	PAF25-05050006	TORNILLO	BOLT	VITE	1
49	62Y-11325-00	PAF25-02010005	ÁNODO	ANODE	ANODO	2
50	66M-11328-00	PAF15-07010009	ALOJAMIENTO	GROMMET, ANODE	ANELLO TENUTA	2
51	66M-11327-00-94		TAPA	COVER, ANODE	TAPPO	2
52	66M-12535-00		PLETINA	PLATE, ANODE	PIASTRA ANODO	2
53	97095-06020		TORNILLO	BOLT, HEXAGON	VITE	2
54	97095-05012		TORNILLO	BOLT, HEXAGON	VITE	2
55	92995-05600		ARANDELA	WASHER, PLATE	RONDELLA	2
56			ARANDELA	WASHER, PLATE	RONDELLA	6
57	62Y-12138-40		ADHESIVO	SIGN 5	ADESIVO	1
58	90119-06MAS		TORNILLO	BOLT	VITE	7
59		POWER HEAD 20-25	MOTOR	COMPLETE, POWER	MOTORE	1
60	94701-00375	NGKDPR7EA-9	BUJÍA	SPARK-PLUG	CANDELA	2



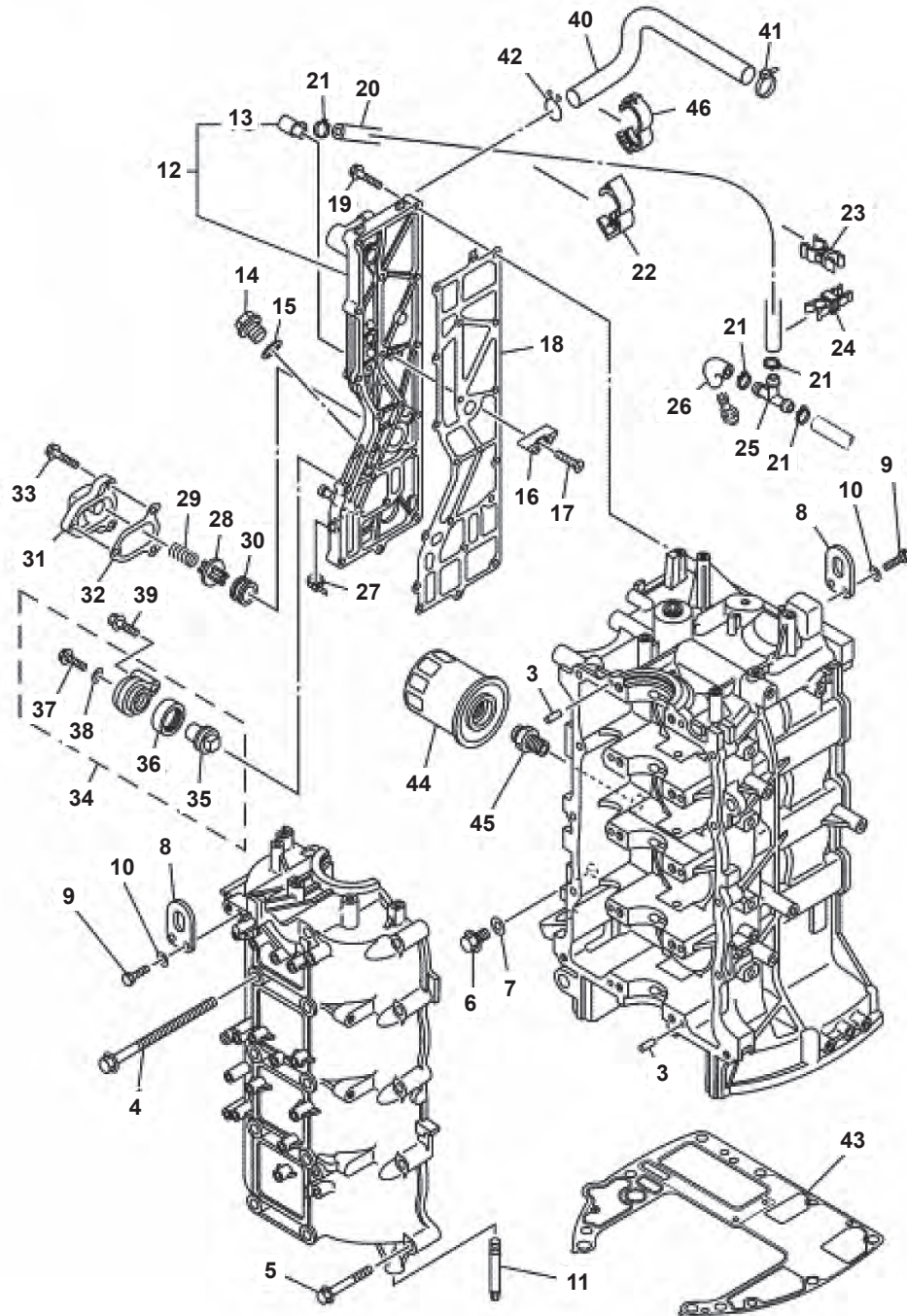
Nº	R.O. OEM	Ref.	Descripción	Description	Descrizione	Cantidad Qty Quantità
1	67C-12111-00	PAF25-05050001	VÁLVULA ADMISIÓN	VALVE, INTAKE	VALVOLA ASPIRAZIONE	2
2	62Y-12121-00	PAF25-05050002	VÁLVULA ESCAPE	VALVE, EXHAUST	VALVOLA SCARICO	2
3	62Y-12116-00	PAF25-05050003	ASIENTO MUELLE	SEAL, VALVE SPRING	MOLLA VALVOLA	4
4	51Y-12119-00	PAPS-2700.04.03	RETÉN VÁLVULA	SEAL, VALVE STEM	GOMMINO VALVOLA	4
5	51Y-12119-00	PAF25-05050005	MUELLE	SPRING, VALVE	MOLLA	4
6	30X-12117-00	PAF15-07040006	RESORTE	RETAINER, VALVE SPRING	FERMA VALVOLA	4
7	30X-12118-00	PAF15-07040007	SEGURO VÁLVULA	COTTER, VALVE	VALVOLA SICUREZZA	8
8	62Y-12159-00	PAF15-07040303	TORNILLO	SCREW, VALVE ADJUSTING	VITE	1
9	62Y-12158-00	PAF15-07040304	TUERCA	NUT	GHIERA	1
10	65W-12151-00	PAF25-05050301	BALANCÍN	ROCKET	BILANCERE	1
11	62Y-12238-00	PAF25-05050009	PLETINA	PLATE, BOLT STOPPER	PIASTRINA	2
12	62Y-12216-00	PAF25-05050011	MUELLE	SPRING	MOLLA	1
13	90109-08M63	PAF25-05050019	TORNILLO	BOLT	VITE	3
14	65W-12146-00	PAF25-05050008	EJE	SHAFT, ROCKET	ASSE	1
15	62Y-12231-00	PAF25-05050012	PLETINA	PLATE B, BOLT STOPPER	PIASTRINA	1
16		PAF25-05050300	BALANCÍN COMPLETA	ROCKET ASSY	BILANCERE COMPLETO	4
17	65W-11411-01	PAF25-05020001	CIGÜEÑAL	CRANK SHAFT	ALBERO MOTORE	1
18	93102-43M42	PAF25-05020003	RETÉN	OIL SEAL B	PARAOLIO	1
19	62Y-11416-00	PAF25-05010302-1	COJINETE BANCADA	MAIN BEARING	CUSCINETTI BANCO	6
19	62Y-11416-10	PAF25-05010302-2	COJINETE BANCADA	MAIN BEARING	CUSCINETTI BANCO	6
20	62Y-11654-00	PAF25-05020204	TORNILLO	BOLT, CONNECTINGROD	VITE	2
21	62Y-11656-00	PAF25-05020203-1	COJINETE BIELA	PLANE BEARING, CONNECTINGROD	CUSCINETTI BIELLAA	2
21	62Y-11656-00	PAF25-05020203-2	COJINETE BIELA	PLANE BEARING, CONNECTINGROD	CUSCINETTI BIELLAA	2
22	65W-11631-00-96	PAF25-05020101	PISTÓN	PISTON	PISTONE	2
23	62Y-11633-00	PAF25-05020105	BULÓN	PIN, PISTON	BULLONE	2
24	93450-17129	PAF25-05020106	CLIP	CIRCLIP	CLIP	4
26	65W-11665-00	PAF25-05020310	BIELA	CON-ROD ASSY, BALANCE	BIELLA	1
27	65W-11642-11	PAF25-05020301	PISTÓN CONTRA	PISTON, BALANCE	CONTRO PISTONE	1
28	90170-35M47	PAF25-05000026	TUERCA	NUT	GHIERA	1
29	93102-35M47	PAF25-05020002	RETÉN	OIL-SEAL A	GUARNIZIONE	1
31	67C-11603-00	REC67C-11603-00	ARO PISTÓN KIT	PISTON RING KIT	FASCIA PISTONE KIT	2
32	65W-41114-00	PAF25-05020100	PISTÓN COMPLETO	PISTON ASSY	PISTONE COMPLETO	2
33	67C-11650-00	PAF25-05020200	BIELA	ROD, CONNECTING	BIELLAA	2
34	90280-04M06	PAF4-04000019	CHAVETA	KEY, WOODRUF	CHIAVETTA	1
35	65W-13300-00	PAF25-05050400	BOMBA ACEITE	OIL PUMP ASSY	POMPA OLIO	1
36	65W-11536-10	PAF25-05000021	POLEA	BELT PULLEY, TIMING	PULEGGIA	1
37	93605-14143	PAF25-05050016	PIN	PIN, DOWELL	SPINOTTO	1
38	65W-11476-00	PAF25-05000022	MUELLE	BUSH, SPRING	MOLLA	1
39	65W-46241-00	PAF25-05000023	CORREA DISTRIBUCIÓN	BELT, TIMING	CINGHIA DISTRIBUZIONE	1
40	93210-12MG9	PAF25-05050013	TÓRICA	O-RING A	O-RING	1
41	93210-14515	PAF25-05050014	TÓRICA	O-RING B	O-RING	1
42	90119-06MA3	PAGB/T5785-2000	TORNILLO	BOLT	VITE	1
43	90201-10M06	PAF25-05050018	ARANDELA	WASHER, PLATE	RONDELLA	1
44	65W-11537-01	PAF25-05050017	POLEA DENTADA	BELT PULLEY, DRIVEN	PULEGGIA DENTATA	1
45	93210-33MH2	PAF25-05050015	TÓRICA	O-RING C	O-RING	1
46	93102-37M40	PAF25-05050021	RETÉN	OIL SEAL	PARAOLIO	1
47	65W-12171-10	PAF25-05050200	ÁRBOL DE LEVAS	CAMSHAFT ASSY	ALBERO MOTORE	1
48		PAGB/T5782-2000	TORNILLO	BOLT	VITE	4
49	66M-11328-00	PAGB/T97.1-85	ARANDELA	WASHER , PLATE	RONDELLA	4
50	66M-11327-00-94	PAGB/T97.1-85	ARANDELA	WASHER, PLATE	RONDELLA	1



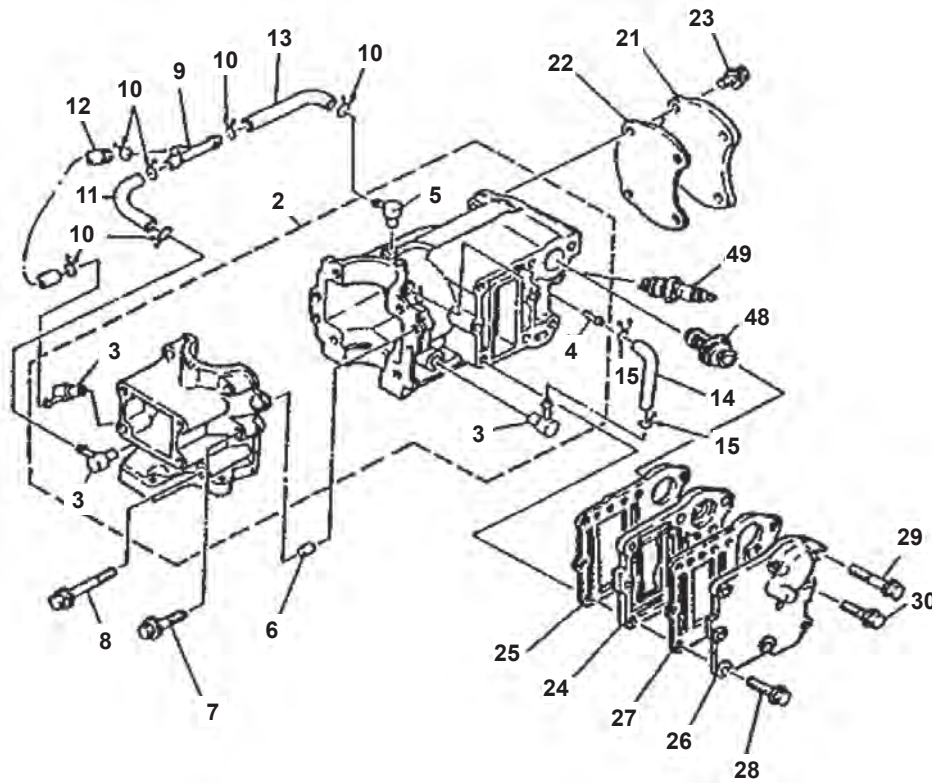
Nº	R.O. OEM	Ref.	Descripción	Description	Descrizione	Cantidad Quantity Quantità
1	67C-W000-01	REC67C-W0001-01	KIT JUNTAS	POWER HEAD GASKET KIT	KIT GUARNIZIONI	1
2	90430-14115	REC90430-14115	JUNTA	GASKET	GUARNIZIONE	1
3	67C-11351-01	REC67C-11351-00	JUNTA BASE MOTOR	GASKET, CYLINDER	GUARNIZIONE BASE MOTORE	1
4	62Y-12414-00	PAF4-04000011	JUNTA TERMOSTATO	GASKET, COVER	GUARNIZIONE TERMOSTATO	1
5	67C-41114-10	REC67C-41114-00	JUNTA	GASKET, EXHAUST COVER	GUARNIZIONE	1
6	93102-43M42	REC93102-43M42	RETÉN	OIL SEAL	PARAOLIO	1
7	93102-35M47	REC93102-35M47	RETÉN	OIL SEAL	PARAOLIO	1
8	90430-06014	REC90430-06014	JUNTA	GASKET	GUARNIZIONE	4
9	67C-11181-01	REC67C-11181-01	JUNTA CULATA	GASKET, CYLINDER HEAD	GUARNIZIONE TESTATA	1
10	67C-11356-00	REC67C-11356-00	JUNTA	SEAL, CYLINDER	GUARNIZIONE	1
11	93210-24M79	PAJASO F404-31-025	TÓRICA	O-RING	O-RING	2
12	67C-14561-00		TÓRICA	O-RING	O-RING	9
13	67C-14562-00		TÓRICA	O-RING	O-RING	3
14	93210-34MJ6		TÓRICA	O-RING	O-RING	3
15	93102-37M40	REC93102-37M40	RETÉN	OIL SEAL	PARAOLIO	1
16	90280-04M06	PAF25-05000024	CHAVETA	KEY, WOODRUFF	CHIAVETTA	1
17	93210-33MH2	REC93210-33MH2	TÓRICA	O-RING	O-RING	1
18	93210-12MG9	REC93210-12MG9	TÓRICA	O-RING	O-RING	1
19	93210-14515	REC93210-14515	TÓRICA	O-RING	O-RING	1
20	66M-12411-01	PAF15-07000031	TERMOSTATO	THERMOSTAT	TERMOSTATO	1



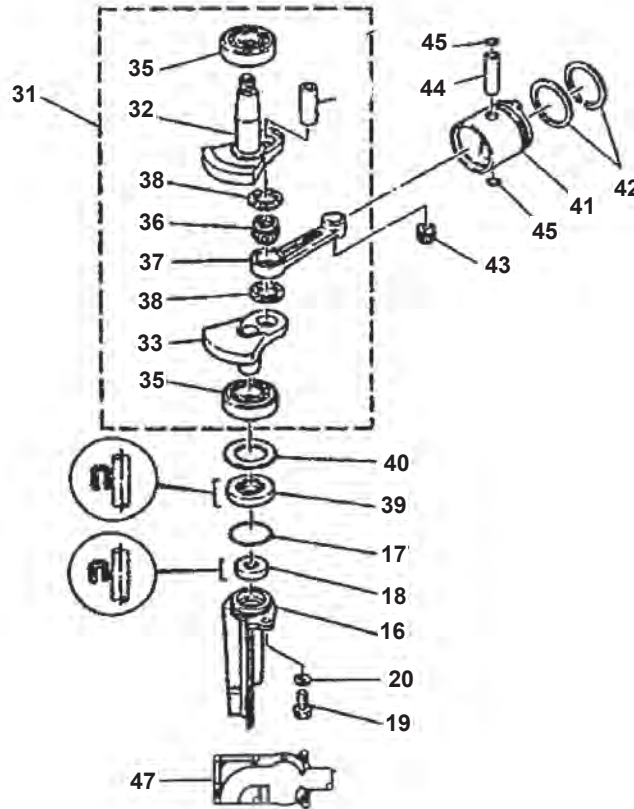
Nº	R.O. OEM	Ref.	Descripción	Description	Descrizione	Cantidad Quantity Quantità
3	67F-11133-10		GUÍA DE VÁLVULA 1	GUIDE VALVE 1	GUIDA VALVOLA 1	16
4	90344-51019		TAPÓN DE TORNILLO AHUSADO	PLUG TAPER SCREW	VITE TAPPO CONICO	4
5	90119-07235		TORNILLO CON ARANDELA	BOLT WITH WASHER	VITE CON RONDELLA	4
6	91809-08006		PASADOR DE CLAVIJA	PIN, DOWEL	SPINOTTO DI CENTRAGGIO	4
7	K0F-A9904-20		TORNILLO CON ARANDELA	BOLT WITH WASHER	VITE CON RONDELLA	16
8	69J-11301-00		CONJUNTO CUBIERTA DE ÁNODO	COVER ANODE	COPERCHIO ANODO	2
9	67F-11325-01	TEN01146-1	ÁNODO	ANODE	ANODO	1
10	67F-11328-00		TAPÓN	PLUG	COPERCHIO	1
11	90105-06M07		TORNILLO	BOLT	VITE	1
12	90430-06M03	REC90430-06M03	JUNTA	GASKET	GUARNIZIONE	1
13	97575-08540		PERNO CON ARANDELA	BOLT WITH WASHER	PERNO CON RONDELLA	2
14	67F-11181-03	REC67F-11181-03	JUNTA, DE CULATA 1	HEAD CYLINDER GASKET 1	GUARNIZIONE TESTATA 1	1
15	90387-10M08		ESPACIADOR	COLLAR	DISTANZIALE	2
16	90105-10M89		TORNILLO	BOLT	VITE	10
17	90119-08M91		TORNILLO CON ARANDELA	BOLT WITH WASHER	VITE CON RONDELLA	5
18	6D8-11191-00-9S		TAPA CULATA DE CILINDRO 1	HEAD CYLINDER COVER 1	COPERCHIO TESTATA CILINDRO 1	1
19	67F-11168-00		CUBIERTA RESPIRADERO	COVER, BREATHER	COPERCHIO SFIATO	1
20	98507-04008		TORNILLO DE CABEZA PLANA	SCREW, PAN HEAD	VITE TESTA PIANA	8
21	92907-04600		ARANDELA	WASHER	RONDELLA	8
22	90480-12072		TAPÓN	PLUG	COPERCHIO	2
23	6D8-11356-01		RETÉN ACEITE CILINDRO 2	SEAL CYLINDER 2	GUARNIZIONE CILINDRO 2	1
24	97095-06030		PERNO	BOLT	PERNO	14
25	92995-06600		ARANDELA	WASHER	RONDELLA	14
26	67F-11192-01		TAPA CULATA DE CILINDRO 2	COVER CYLINDER HEAD	COPERCHIO TESTATA CILINDRO 2	1
27	90159-06M29		TORNILLO CON VALONA	SCREW WITH WASHER	VITE CON RONDELLA	5
28	67F-12411-01	REC67F-12411-01	TERMOSTAT	THERMOSTAT	TERMOSTATO	1
29	67F-12412-00		SELLO TERMOSTATO	SEAL THERMOSTAT	GUARNIZIONE TERMOSTATO	1
30	68V-12413-00-9S		CUBIERTA TERMOSTATO	COVER THERMOSTAT	COPERCHIO TERMOSTATO	1
31	97095-06025		PERNO	PLUG	PERNO	2
32	92995-06600	PAGB/T97.1-85	ARANDELA	WASHER	RONDELLA	2
33	6G8-15363-00		TAPÓN DE ACIETE	OIL PLUG	TAPPO DELL'OLIO	1
34	93210-24M79		ANILLO O	O RING	O-RING	1
35	6D8-83626-00		MARCA 6	MARK 6	MARCA 6	1
36	94702-00391	NGK LFR5A-11	BUJÍA (NGK LFR5A-11)	PLUG SPARK (NGK LFR5A-11)	CANDELA (NGK LFR5A-11)	4



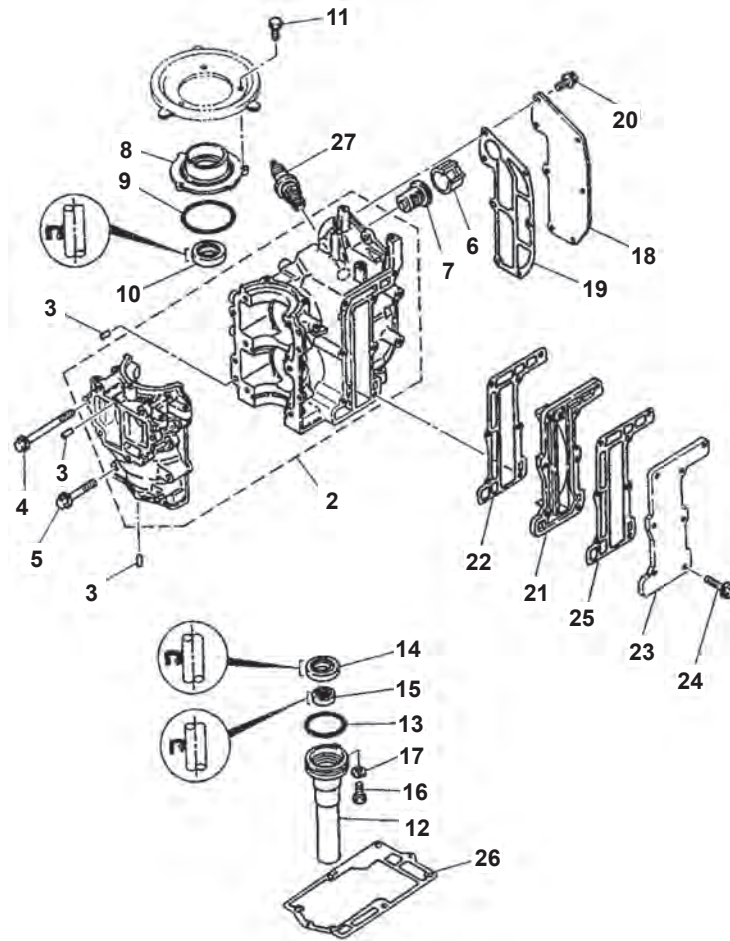
Nº	R.O. OEM	Ref.	Descripción	Description	Descrizione	Cantidad Qty Quantità
3	93606-12019	REC93606-12019	PASADOR DE CLAVIJA	PEG BOLT	SPINOTTO DI CENTRAGGIO	10
4	90119-10M88		TORNILLO CON ARANDELA	BOLT WITH WASHER	VITE CON RONDELLA	10
5	90119-08M66		TORNILLO CON ARANDELA	BOLT WITH WASHER	VITE CON RONDELLA	10
6	90340-14M06		TORNILLO, DE DRENAJE	BOLT WITH WASHER	VITE DRENAGGIO	1
7	90430-14115	PAF15-04000003	JUNTA	GASKET	GUARNIZIONE	1
8	62Y-11119-00		SOPORTE DE MOTOR	ENGINE BRACKET	SUPPORTO MOTORE	2
9	97095-06020		PERNO	BOLT	PERNO	4
10	92995-06600	PAGB/T97.1-85	ARANDELA	WASHER	RONDELLA	4
11	67F-15142-00		GUÍA 1	GUIDE 1	GUIDA 1	2
12	6D8-41113-30-9S		CUBIERTA EXTERIOR DE ESCAPE	OUTTER COVER EXHAUST	COPERCHIO DI SCARICO	1
13	676-11372-00	PAF15-04000005	NIPPLE DE MANGUERA	HOSE NIPPLE	RACCORDO TUBO	1
14	90340-18M09		TORNILLOS DE DRENAJE	PLUG STRAIGHT SCREW	VITI DI DRENAGGIO	1
15	90430-18130		JUNTA	GASKET	GUARNIZIONE	1
16	6E5-11325-00	TEN01152	ÁNODO	ANODE	ANODO	3
17	98780-04016		TORNILLO CABEZA PLANA	FLAT HEAD BOLT	VITE TESTA PIANA	3
18	67F-41114-A2		JUNTA	GASKET	GUARNIZIONE	1
19	90119-06MA4		TORNILLO CON ARANDELA	BOLT WITH WASHER	VITE CON RONDELLA	18
20	6D8-42541-00		TUBO 1	HOSE 1	TUBO 1	1
21	90465-11M10		BRIDA	FLANGE	FLANGIA	4
22	90464-18004		BRIDA	FLANGE	FLANGIA	1
23	90464-10010		BRIDA	FLANGE	FLANGIA	1
24	90464-11009		BRIDA	FLANGE	FLANGIA	1
25	688-24378-00	PAF15-05000011	TUBO DE UNIÓN 3	PIPE JOINT 3	TUBO DI UNIONE 3	1
26	61A-24316-00		TUBO 6	HOSE 6	TUBO 6	1
27	90465-11M10		BRIDA	FLANGE	FLANGIA	1
28	6G5-12416-00		VÁLVULA DE CONTROL DE PRESIÓN	VALVE PRESS CONTROL	VALVOLA CONTROLLO PRESSIONE	1
29	90501-16M11		RESORTE DE COMPRESIÓN	SPRING COMPRESSION	MOLLA DI COMPRESIONE	1
30	90480-20M05		TAPÓN	PLUG	COPERCHIO	1
31	67F-1246A-01-9S		CUBIERTA 1	COVER 1	COPERCHIO 1	1
32	67F-12435-A0		JUNTA	GASKET	GUARNIZIONE	1
33	90119-06MA2		TORNILLO CON ARANDELA	BOLT WITH WASHER	VITE CON RONDELLA	3
34	69J-11301-00		CONJUNTO CUBIERTA DE ÁNODO	ANODE COVER GROUP	COPERCHIO ANODO	1
35	67F-11325-01	CM67F-11325-00	ÁNODO	ANODE	ANODO	1
36	67F-11328-00		TAPÓN	PLUG	COPERCHIO	1
37	90105-06M07		TORNILLO	BOLT	VITE	1
38	90430-06M03	REC90430-06M03	JUNTA	GASKET	GUARNIZIONE	1
39	97575-08540		PERNO CON ARANDELA	BOLT WITH WASHER	PERNO CON RONDELLA	1
40	67F-1243A-00		TUBO 1	HOSE 1	TUBO 1	1
41	90465-11M10		BRIDA	FLANGE	FLANGIA	1
42	90467-20M15		PRESILLA		PRESILLA	1
43	68V-11351-00	REC68V-11351-00	JUNTA DE CILINDRO	CYLINDER GASKET	GUARNIZIONE CILINDRO	1
44	5GH-13440-00	REC5GH-13440-00	ELEMENTO FILTRO DE ACEITE	FILTER OIL ELEMENT	FILTRO DELL'OLIO	1
45	90401-20007		PERNO DE UNIÓN	BOLT UNION	PERNO DI UNIONE	1
46	90464-16001		BRIDA	FLANGE	FLANGIA	1



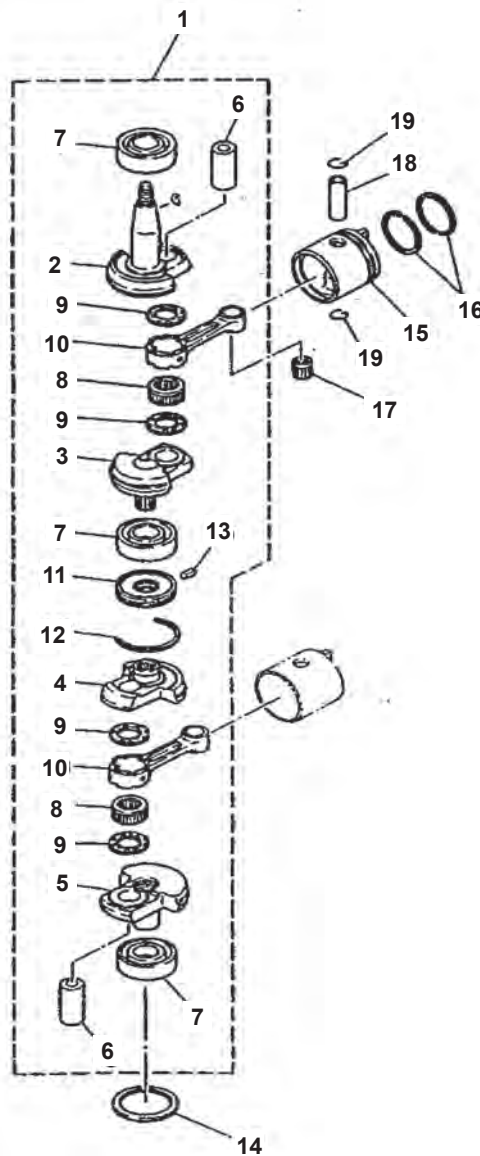
Nº	R.O. OEM	Ref.	Descripción	Description	Descrizione	Cantidad Quantity Quantità
3	650-11370-00, -01	REC650-11370-00	VÁLVULA	CHECK VALVE ASSY	VALVOLA	3
4	624-14485-00		JUNTA	PIPE, JOINT	GUARNIZIONE	1
5	6E5-11372-00		RACORD TUBO	NIPPLE, HOSE	RACCORDO TUBO	1
6	93606-12019	GLM12808	PIN CENTRADOR	PIN, DOWEL	SPINOTTO CENTRAGGIO	2
7	90105-06M16		TORNILLO	BOLT, FLANGE	VITE	4
8	90105-06M17		TORNILLO	BOLT, FLANGE	VITE	2
9	6E0-24378-00		JUNTA	PIPE, JOINT 4	GUARNIZIONE	1
10	90467-06016		CLIP ABRAZADERA	CLIP	CLIP FASCETTA	5
11	90445-07M00		TUBO	HOSE (L100)	TUBO	1
12	90445-07M28	REC90445-07M28	TUBO	HOSE (L70)	TUBO	1
13	90445-07M32		TUBO	HOSE (L120)	TUBO	1
14	90445-07M28	REC90445-07M28	TUBO	HOSE (L70)	TUBO	1
15	90467-06016		CLIP ABRAZADERA	CLIP	CLIP FASCETTA	2
21	6E0-11191-01-1S		TAPA	COVER, CYLINDER HEAD	COPERCHIO	1
	6E3-11191-01-1S		TAPA	COVER, CYLINDER HEAD	COPERCHIO	1
22	6E0-11193-A1	REC6E0-11193-A1	JUNTA TAPA	GASKET, HEAD COVER	GUARNIZIONE TAPPO	1
23	90105-06M14		TORNILLO	BOLT, FLANGE	VITE	4
24	6E0-41111-01-1S		PLACA	INNER COVER, EXHAUST	PIASTRA	1
	6E3-41111-01-1S		PLACA	INNER COVER, EXHAUST (5C ENGINE)	PIASTRA	1
25	6E0-41112-A1	REC6E0-41112-A1	JUNTA ESCAPE	GASKET, EXHA COVER	GUARNIZIONE SCARICO	1
26	6E0-41113-01-1S		TAPA ESCAPE	OUTER COVER, EXHAUST	COPERCHIO SCARICO	1
	6E3-41113-01-1S		TAPA ESCAPE	OUTER COVER, EXHAUST	COPERCHIO SCARICO	1
27	6E0-41114-A1	REC6E0-41114-A1	JUNTA ESCAPE	GASKET, EX COVER	GUARNIZIONE SCARICO	1
28	90105-06M24		TORNILLO	BOLT, FLANGE	VITE	7
29	90105-06M16		TORNILLO	BOLT, FLANGE	VITE	1
30	90105-06M14		TORNILLO	BOLT, FLANGE	VITE	1
46	6E5-12411-01	REC6E5-12411-02	TERMOSTATO	THERMOSTAT	TERMOSTATO	1
49	94702-00272	NGKBR7HS	BUJÍA	SPARKPLUG	CANDELA	1



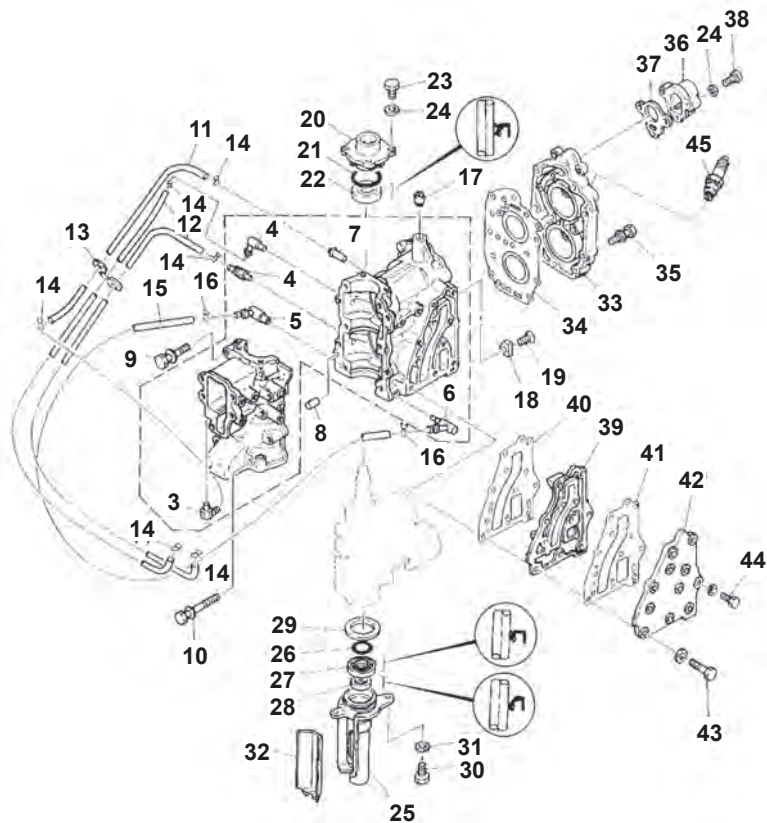
Nº	R.O. OEM	Ref.	Descripción	Description	Descrizione	Cantidad Quantity Quantità
16	6E0-15396-03-5B		CUERPO RETÉN	HOUSING, OIL SEAL	GUARNIZIONE CORPO	1
17	93210-31MJ5		ARO TÓRICO	O-RING	O-RING	1
18	93101-10M25	REC93101-10M25	RETÉN	OIL SEAL	PARAOLIO	1
19	97095-06016		TORNILLO	BOLT	VITE	1
20	92995-06600		ARANDELA	WASHER	RONDELLA	1
31	6E0-11400-00		CIGÜEÑAL COMPLETO	CRANKSHAFT	ALBERO MOTORE COMPLETO	1
32	6E0-11412-00		PARTE 1 CIGÜEÑAL	CRANK 1	ALBERO MOTORE PARTE 1	1
33	6E0-11422-00		PARTE 2 CIGÜEÑAL	CRANK 2	ALBERO MOTORE PARTE 2	1
34	6G1-11681-00	REC6G1-11681-00	PASADOR	PIN, CRANK 1	SPINOTTO	1
35	93306-204U0	REC93306-204U0	RODAMIENTO	BEARING	CUSCINETTO	2
36	93310-418V1	REC93310-418V1	RODAMIENTO	BEARING	CUSCINETTO	1
37	6E0-11651-01	REC6E0-11651-01	BIELA	ROD, CONNECTING	BIELLA	1
38	90209-18112	REC90209-18112	ARANDELA	WASHER	RONDELLA	2
39	93101-20M29	REC93101-20M29	RETÉN	OIL SEAL	PARAOLIO	1
40	90201-32M48		ARANDELA	WASHER, PLATE	RONDELLA	1
41	6E0-11631-00-98	REC6E0-11631-00-98	PISTÓN	PISTON (STD)	PISTONE	1
	6E3-11631-00-98		PISTÓN	PISTON (STD) (5C ENGINES)	PISTONE	1
42	6G1-11610-00	REC6G1-11610-00	SEGMENTOS PISTÓN	PISTON RING (STD)	FASCE PISTONE	1
	6J1-11610-00	REC6J1-11610-00	SEGMENTOS PISTÓN	PISTON RING (STD) (5C ENGINES)	FASCE PISTONE	1



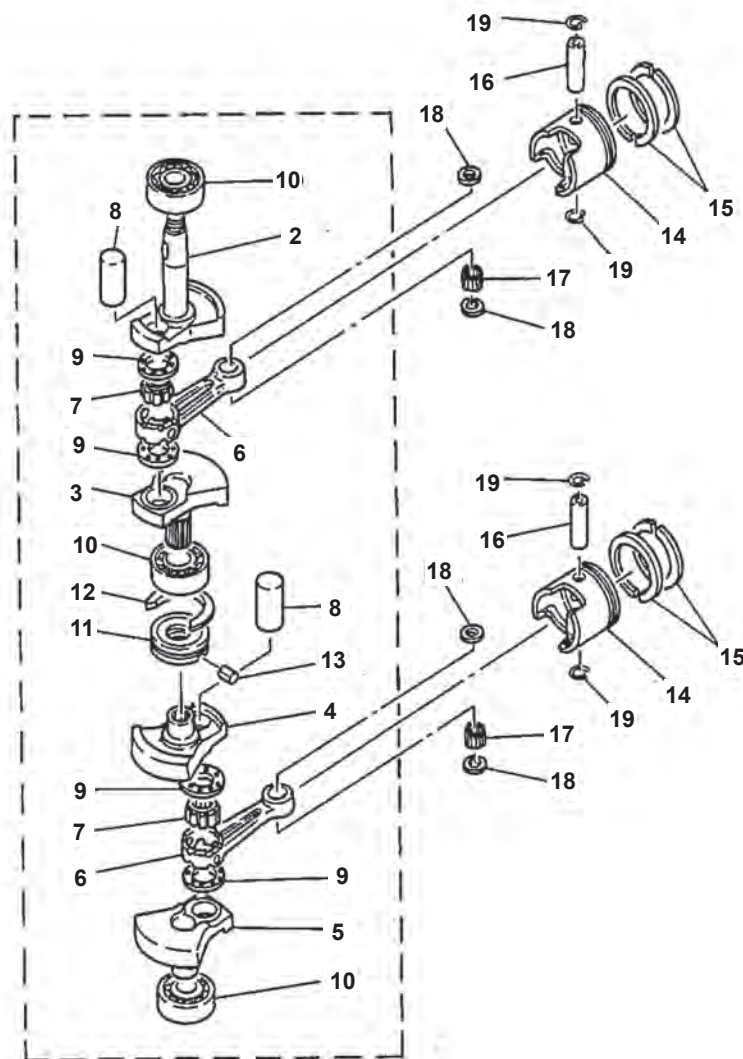
Nº	R.O. OEM	Ref.	Descripción	Description	Descrizione	Cantidad Qty Quantità
3	93604-08062		PIN CENTRADOR	PIN, DOWEL	SPINOTTO CENTRAGGIO	4
4	90105-06M26		TORNILLO	BOLT, FLANGE	VITE	6
5	90105-06M25		TORNILLO	BOLT, FLANGE	VITE	4
6	90387-22M50		CASQUILLO	COLLAR	COPERCHIO	1
7	6E5-12411-01	REC6E5-12411-02	TERMOSTATO	THERMOSTAT	TERMOSTATO	1
8	6G1-15359-01-94		CUERPO RETÉN	HOUSING, OIL SEAL	CORPO GUARNIZIONE	1
9	93210-54M54	REC93210-54M54	ARO TÓRICO	O-RING	O-RING	1
10	93102-20M25	REC93102-20M25	RETÉN	OIL SEAL	PARAOLIO	1
11	97013-06016		TORNILLO	BOLT	VITE	3
12	6G1-15396-02-5B		CUERPO RETÉN	HOUSING, OIL SEAL	CORPO GUARNIZIONE	1
13	93210-42159	REC93210-42159	ARO TÓRICO	O-RING	O-RING	1
14	93101-20M34	REC93101-20M34	RETÉN	OIL SEAL	PARAOLIO	1
15	93101-12M26	REC93101-12M26	RETÉN	OIL SEAL	PARAOLIO	1
16	97095-06016		TORNILLO	BOLT	VITE	1
17	92995-06600		ARANDELA	WASHER	RONDELLA	1
18	6N0-E1191-00-9M		TAPA	COVER CYLINDER HEAD	COPERCHIO	1
19	6G1-11193-A1	REC6G1-11193-A1	JUNTA TAPA TERMOSTATO	GASKET THERMOSTAT COVER	GUARN. COPERCHIO TERMOSTATO	1
20	90105-06M14		TORNILLO	BOLT, FLANGE	VITE	7
21	6N0-G1111-00-9M		PLACA	INNER COVER, EXHAUST	PIASTRA	1
22	6G1-41112-A1	REC6G1-41112-A1	JUNTA ESCAPE	GASKET, EXHAUST INNER COVER	GUARNIZIONE SCARICO	1
23	6G1-41113-01-9M		TAPA	OUTER COVER, EXHAUST	COPERCHIO	1
24	90105-06M24		TORNILLO	BOLT, FLANGE	VITE	7
25	6G1-41114-A0	REC6G1-41114-A0	JUNTA ESCAPE	GASKET, EXHAUST OUTER COVER	GUARNIZIONE SCARICO	1
26	6G1-45113-A1	REC6G1-45113-A1	JUNTA BASE	GASKET, UPPER CASING	GUARNIZIONE BASE	1
27	94702-00271	NGKBR7HS-10	BUJÍA	PLUG, SPARK (NGK BR7HS-10)	CANDELA	2
27	94702-00274	NGKBR6HS-10	BUJÍA	PLUG, SPARK (NGK BR6HS-10) (6C ENGINES)	CANDELA	2



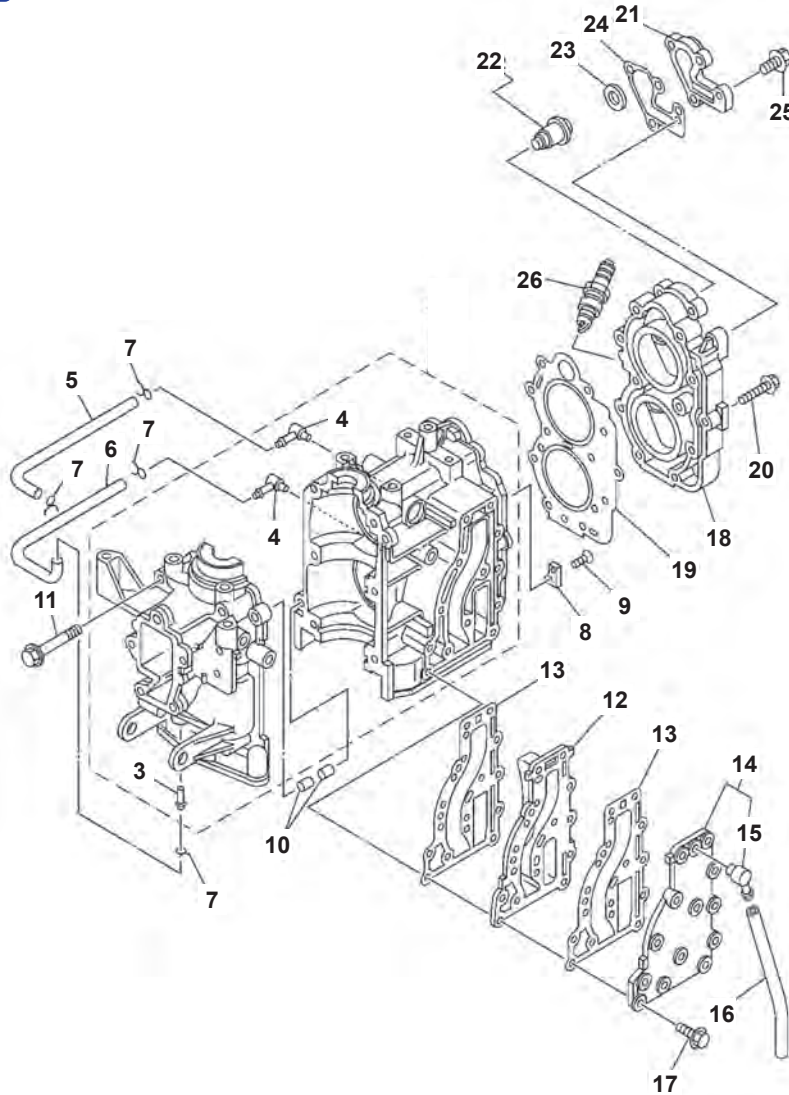
Nº	R.O. OEM	Ref.	Descripción	Description	Descrizione	Cantidad Quantity Quantità
1	6N0-E1400-00		CIGÜEÑAL	CRANKSHAFT ASSY	ALBERO MOTORE	1
2	6N0-E1412-00		PARTE 1 CIGÜEÑAL	CRANK 1	ALBERO MOTORE PARTE 1	1
3	6N0-E1422-00		PARTE 2 CIGÜEÑAL	CRANK 2	ALBERO MOTORE PARTE 2	1
4	6N0-E1432-00		PARTE 3 CIGÜEÑAL	CRANK 3	ALBERO MOTORE PARTE 3	1
5	6N0-E1442-00		PARTE 4 CIGÜEÑAL	CRANK 4	ALBERO MOTORE PARTE 4	1
6	6G1-11681-00	REC6G1-11681-00	BULÓN	PIN, CRANK 1	SPINOTO	2
7	93306-204U0	REC93306-204U0	RODAMIENTO	BEARING	CUSCINETTO	3
8	93310-418V1	REC93310-418V1	RODAMIENTO	BEARING	CUSCINETTO	2
9	90209-18112	REC90209-18112	ARANDELA	WASHER	RONDELLA	4
10	6N0-E1651-00		BIELA	ROD, CONNECTING	BIELLA	2
11	6N0-E1515-00		ARO	SEAL, LABYRINTH	FASCIA	1
12	93440-47055		CIRCLIP	CIRCLIP	CLIP CHIUSURA	1
13	91609-20008		PIN	PIN, SPRING	SPINOTTO	1
14	90201-41303		ARANDELA	WASHER, PLATE	RONDELLA	1
15	6N0-E1631-00-64		PISTÓN	PISTON (STD)	PISTONE	2
16	6N0-E1603-00		SEGMENTOS	PISTON RING SET (STD)	FASCE	2
17	93310-112V0	REC93310-112V0	RODAMIENTO	BEARING	CUSCINETTO	2
18	6N0-E1633-00		BULÓN	PIN, PISTON	SPINOTTO	2
19	93450-13022	REC93450-13022	CIERRE	CIRCLIP	CLIP CHIUSURA	4



Nº	R.O. OEM	Ref.	Descripción	Description	Descrizione	Cantidad Quantity Quantità
3	650-11370-01	REC650-11370-00	VÁLVULA DE CONTROL COMPL.	CHECK VALVE ASSY	VALVOLA DI CONTROLLO COMPL.	1
4	646-11370-01		VÁLVULA DE CONTROL COMPL.	CHECK VALVE ASSY	VALVOLA DI CONTROLLO COMPL.	2
5	677-11372-00		NIPPLE DE MANGUERA	NIPLE, HOSE	RACCORDO TUBO	1
6	676-11372-00		NIPPLE DE MANGUERA	NIPLE, HOSE	RACCORDO TUBO	1
7	624-14485-00		TUBO DE UNIÓN	PIPE JOINT	TUBO DI UNIONE	1
8	93605-08041		PASADOR DE CLAVIJA	PIN, DOWEL	PERNO PASSANTE	2
9	90119-06M15		TORNILLO CON ARANDELA	BOLT, WITH WASHER	VITE CON RONDELLA	8
10	90119-06M16		TORNILLO CON ARANDELA	BOLT, WITH WASHER	VITE CON RONDELLA	2
11	90445-07M02	REC90445-07M28	TUBO (L167),	HOSE (L167)	TUBO (L167),	1
12	90445-07258		TUBO (L200),	HOSE (L200)	TUBO (L200),	2
13	90464-07015		BRIDA	CLAMP	FLANGIA	1
14	90467-06016		PRESILLA	CLIP	CLIP	6
15	90445-10M03		TUBO (L240),	HOSE (L240)	TUBO (L240),	1
16	90467-09M09		PRESILLA	CLIP	CLIP	2
17	99530-10014		PASADOR, DE ESPIGA	PIN, DOWEL	PERNO PASSANTE	1
18	664-11325-00	REC664-11325-00	ÁNODO	ANODE	ANODO	1
19	90151-06M01		TORNILLO EMBUTIDO	SCREW, COUNTERUNK	VITE SVASATA	1
20	677-15359-00-94		CAJA DE SELLO DE ACEITE	HOUSING, OIL SEAL	ALLOGGIAMENTO PARAOLIO	1
21	93210-42159	REC93210-42159	ANILLO O	O-RING	O-RING	1
22	93102-20M25	REC93102-20M25	SELLO ACEITE	OIL SEAL	PARAOLIO	1
23	97095-06018		PERNO	BOLT	PERNO	4
24	92995-06600		ARANDELA	WASHER	RONDELLA	4
25	677-15396-01-5B		CAJA DE SELLO ACEITE	HOUSING, OIL SEAL	ALLOGGIAMENTO PARAOLIO	1
26	93210-42M70	REC93210-42M70	ANILLO O	O RING	O-RING	1
27	93101-20M29	REC93101-20M29	SELLO ACEITE	OIL SEAL	PARAOLIO	1
28	93101-14M01	REC93101-14M01	SELLO ACEITE	OIL SEAL	PARAOLIO	1
29	90201-41303		ARANDELA PLANA	WASHER, PLATE	RONDELLA PIANA	1
30	97095-06016		PERNO	BOLT	PERNO	2
31	92995-06600		ARANDELA	WASHER	RONDELLA	2
32	677-15379-02		SELLO DE CARTER	SEAL, CRANKCASE	SIGILLO CARTER	1
33	677-11111-00-1S		CULATA CILINDRO 1	HEAD, CYLINDER	TESTATA CILINDRO 1	1
34	677-11181-A1	REC677-11181-A0	JUNTA DE CULATA 1	GASKET, CYLINDER HEAD	GUARNIZIONE TESTATA 1	1
35	90119-06048		TORNILLO CON ARANDELA 1	BOLT, WITH WASHER	VITE CON RONDELLA 1	3
36	677-12413-00-1S		CUBIERTA TERMOSTATO	COVER, THERMOSTAT	COPERCHIO TERMOSTATO	1
37	677-12414-A1		EMPAQUE	GASKET, COVER	COPERCHIO	1
38	90119-06MA3		TORNILLO CON ARANDELA	BOLT, WITH WASHER	VITE CON RONDELLA	3
39	677-41111-01-1S		CUBIERTA INT. ESCAPE	INNER COVER, EXHAUST	COPERCHIO INT. SCATICO	1
40	677-41112-A1	REC677-41112-A0	EMPAQUE	GASKET, EXHAUST INNER COVER	COPERCHIO	1
41	677-41114-A1	REC677-41114-A1	EMPAQUE	GASKET, EXHAUST OUTER COVER	COPERCHIO	1
42	677-41113-01-1S		CUBIERTA EXT. DE ESCAPE	OUTER COVER, EXHAUST	COPERCHIO EST. SCARICO	1
43	90119-06MA4		TORNILLO CON ARANDELA	BOLT, WITH WASHER	VITE CON RONDELLA	10
44	90119-06023		TORNILLO CON ARANDELA	BOLT, WITH WASHER	VITE CON RONDELLA	1
45	94702-00217	NGKB7HS-10	BUJÍA (NGK B7HS-10)	PLUG, SPARK (NGK B7HS-10)	CANDELA (NGK B7HS-10)	2

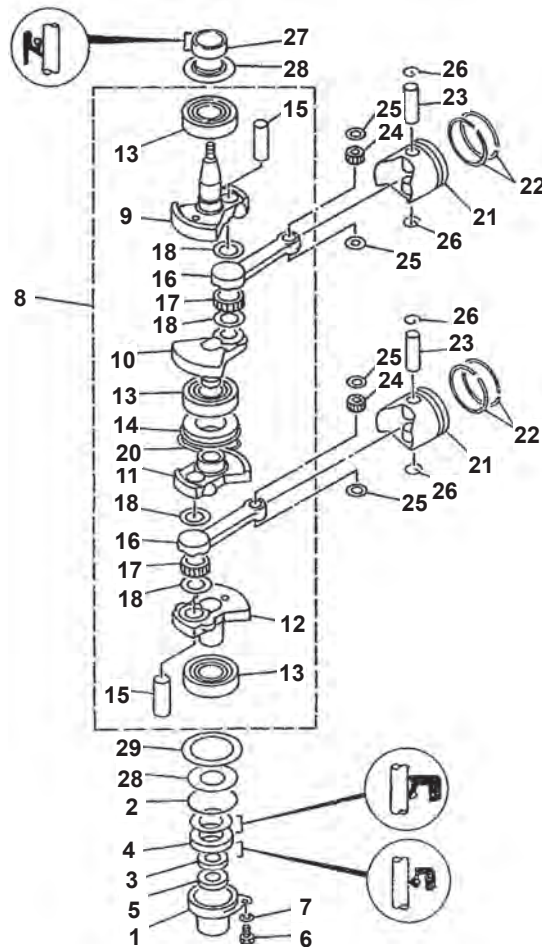


Nº	R.O. OEM	Ref.	Descripción	Description	Descrizione	Cantidad Quantity Quantità
2	677-11412-02	REC677-11412-00	CIGÜEÑAL 1	CRANK 1	LEVA 1	1
3	677-11422-02	REC677-11422-00	CIGÜEÑAL 2	CRANK 2	LEVA 2	1
4	677-11432-02	REC677-11432-00	CIGÜEÑAL 3	CRANK 3	LEVA 3	1
5	677-11442-02	REC677-11442-00	CIGÜEÑAL 4	CRANK 4	LEVA 4	1
6	6E0-11651-01	REC6E0-11651-01	BIELA	ROD, CONNECTING	BIELLA	2
7	93310-418U0	REC93310-418U0	RODAMIENTO	BEARING	GABBIA A RULLI	2
8	6G1-11681-00	REC6G1-11681-00	PIN, CIGÜEÑAL 1	PIN, CRANK 1	SPINOTTO LEVA 1	2
9	90209-18112	REC90209-18112	ARANDELA	WASHER	RONDELLA DI SEPARAZIONE	4
10	93306-204U0	REC93306-204U0	RODAMIENTO	BEARING	CUSCINETTO	3
11	677-11515-01		RETÉN	LABERINTH SEAL	TENUTA CHIUSA	1
12	93440-47055		CLIP	CIRCLIP	CLIP CHIUSURA	1
13	91690-30010		PIN, MUELLE	PIN, SPRING	SPINOTTO DELLA MOLLA	1
14	677-11631-00-97	REC677-11631-00K	PISTÓN (STD)	PISTON (STD)	PISTONE (STD)	2
	677-11635-00	REC677-11635-00K	PISTÓN (0.25mm O/S)	PISTON (0.25mm O/S)	PISTONE (0.25mm O/S)	2
	677-11636-00	REC677-11636-00K	PISTÓN (0.50mm O/S)	PISTON (0.50mm O/S)	PISTONE (0.50mm O/S)	2
15	647-11610-00	REC647-11610-00	SET AROS PISTÓN (STD)	PISTON RING SET (STD)	SERIE FASCE (STD)	2
	647-11610-10	REC647-11610-10	SET AROS PISTÓN (0.25mm O/S)	PISTON RING SET (0.25mm O/S)	FASCE (0.25mm O/S)	2
	647-11610-20	REC647-11610-20	SET AROS PISTÓN (0.50mm O/S)	PISTON RING SET (0.50mm O/S)	FASCE (0.50mm O/S)	2
16	6G1-11633-00	REC6G1-11633-00	PIN, PISTON	PIN, PISTON	SPINOTTO, PISTONE	2
17	93602-14118	REC93602-14118	RODAMIENTOS	BEARING	CUSCINETTO	56
18	90201-12565	REC90201-12565	WASHER, PLATE	WASHER, PLATE	RONDELLA PIANA	4
19	93450-13022	REC93450-13022	CIRCLIP	CIRCLIP	CLIP CHIUSURA	4

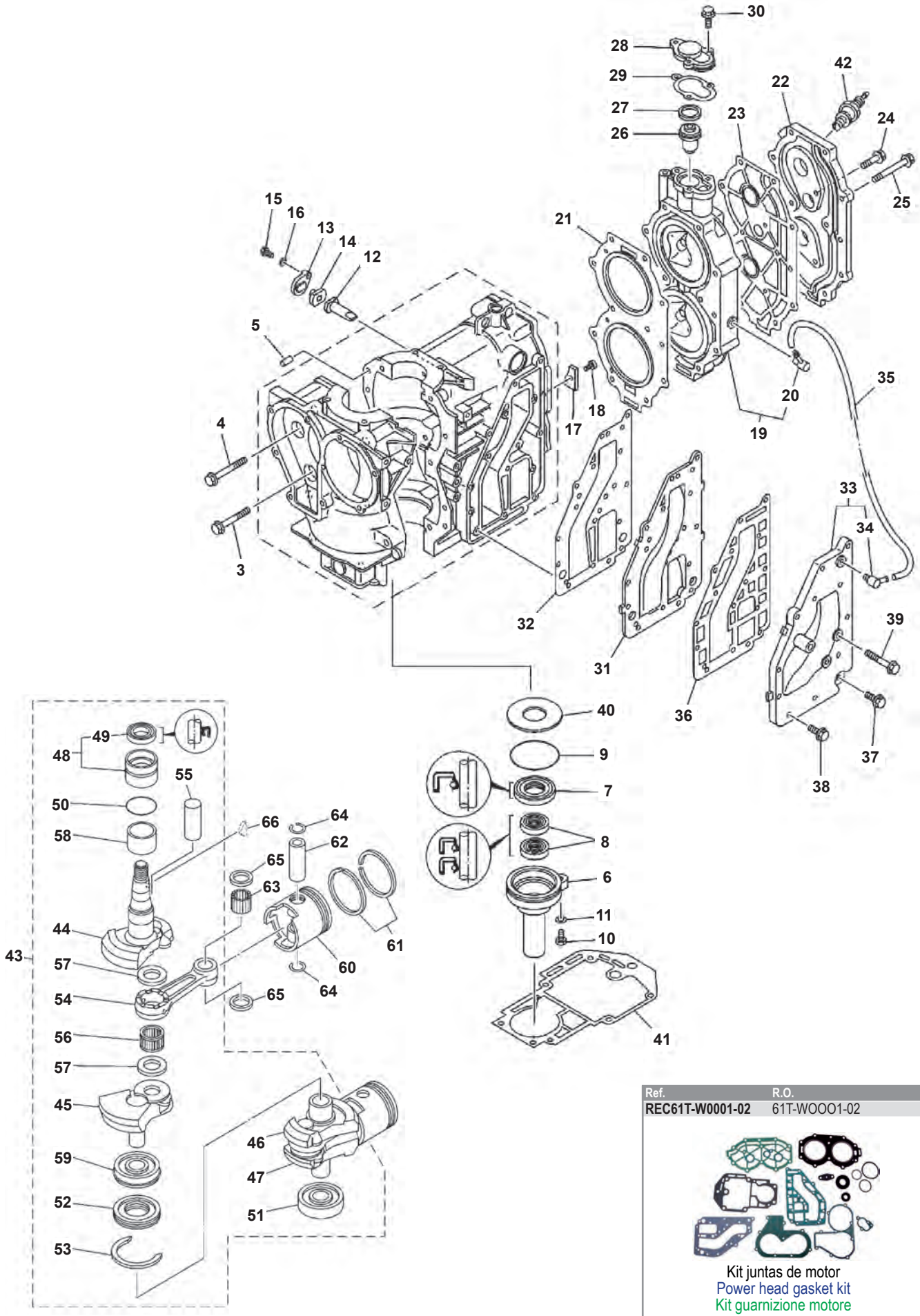


Nº	R.O. OEM	Ref.	Descripción	Description	Descrizione	Cantidad Quantity Quantità
3	624-14485-00		TOMA	PIPE JOINT	GIUNTO PER TUBO	1
4	650-14485-03		TOMA	PIPE JOINT	GIUNTO PER TUBO	2
5	90445-07M08		TUBO	HOSE (L220)	TUBO	1
6	90445-07M08		TUBO	HOSE (L220)	TUBO	1
7	90467-06016		ABRAZADERA	CLIP	FASCETTA	4
8	682-11325-00	CM682-11325-00	ÁNODO ZINC	ZINC ANODE	ANODO ZINCO	1
9	98780-05015		TORNILLO	SCREW, FLAT HEAD	VITE	1
10	93606-12019	GLM12808	PIN CENTRADOR	PIN, DOWEL	SPINOTTO CENTRAGGIO	2
11	90119-08M07		TORNILLO	BOLT, WITH WASHER	VITE	6
12	63V-41111-00-1S		PLACA	INNER COVER, EXHAUST	PIASTRA	1
13	63V-41112-A0	REC63V-41112-A0	JUNTA TAPA	GASKET COVER	GUARNIZIONE COPERCHIO	2
14	63V-41113-00-1S		TAPA	OUTER COVER, EXHAUST	Coperchio	1
15	676-11372-00	PAF15-04000005	CONEXIÓN	NIPPLE HOSE	Tubo	1
16	90445-09105		TUBO	HOSE (L300)	TUBO	1
17	90119-06MA4		TORNILLO	BOLT, WITH WASHER	VITE	13
18	6E7-11111-01-1S		CULATA	HEAD CYLINDER 1	TESTATA	1
19	63V-11181-A2	REC63V-11181-A1	JUNTA CULATA	GASKET HEAD	GUARNIZIONE TESTATA	1
20	90105-07002		TORNILLO	BOLT, FLANGE	VITE	11
21	682-12413-00-1S		TAPA TERM	COVER, THERMOSTAT	COPERCHIO TERMOSTATO	1
22	6E5-12411-30	REC6E5-12411-30	TERMOSTATO	THERMOSTAT	TERMOSTATO	1
23	90201-16M03		ARANDELA	WASHER, PLATE	RONDELLA	1
24	682-12414-A1	REC682-12414-00	JUNTA TAPA	GASKET, COVER	GUARNIZIONE COPERCHIO	1
25	90119-06MA2		TORNILLO	BOLT, WITH WASHER	VITE	4
26	94702-00271	NGKB7HS-10	BUJÍA	PLUG, SPARK (NGK B7HS-10)	CANDELA	2

9.9F/FM/FEM/MHV - FMH/MSH - 13.5AMH
15F/FEM/FM/MH/MSH - FW/MHH



Nº	R.O. OEM	Ref.	Descripción	Description	Descrizione	Cantidad Quantity Quantità
1	624-14485-00		CUERPO RETÉN	HOUSING, OIL SEAL	CORPO GUARNIZIONE	1
2	93210-46M16	REC93210-46M16	ARO TÓRICO	O-RING	O-RING	1
3	93101-25018	REC93101-25018	RETÉN	OIL SEAL	PARAOILIO	1
4	93102-25M48	REC93102-25M48	RETÉN	OIL SEAL	PARAOILIO	1
5	93101-13018	REC93101-13018	RETÉN	OIL SEAL	PARAOILIO	2
6	97095-06016		TORNILLO	BOLT	VITE	1
7	92995-06600	PAGB/T97.1-85	ARANDELA	WASHER	RONDELLA	1
8	63V-11400-01		CIGÜEÑAL	CRANKSHAFT ASSY	ALBERO MOTORE	1
9	63V-11412-00	REC63V-11412-00	PARTE 1 CIGÜEÑAL	CRANK 1	PARTE 1 ALBERO MOTORE	1
10	63V-11422-00	REC63V-11422-00	PARTE 2 CIGÜEÑAL	CRANK 2	PARTE 2 ALBERO MOTORE	1
11	63V-11432-00	REC63V-11432-00	PARTE 3 CIGÜEÑAL	CRANK 3	PARTE 3 ALBERO MOTORE	1
12	63V-11442-00	REC63V-11442-00	PARTE 4 CIGÜEÑAL	CRANK 4	PARTE 4 ALBERO MOTORE	1
13	93306-20U7	REC93306-20U7	RODAMIENTO	BEARING	CUSCINETTO	3
14	63V-11515-02	REC63V-11515-02	ARILLO	SEAL, LABYRINTH 1	GUARNIZIONE	1
15	682-11681-00	REC682-11681-00	BULÓN	PIN, CRANK 1	SPINOTTO	2
16	650-11651-00	REC650-11651-00	BIELA	ROD CONNECTING	BIELLA	2
17	93310-620V5	REC93310-620V5	RODAMIENTO	BEARING	CUSCINETTO	2
18	90209-20M23	REC90209-20M23	ARANDELA	WASHER	RONDELLA	4
19	91609-20008		PIN	PIN, SPRING	SPINOTTO	1
20	93440-52009	REC93440-52009	CERCLIP	CIRCLIP	CLIP CHIUSURA	1
21	6E7-11631-00-97	REC6E7-11631-00K	PISTÓN	PISTON (STD)	PISTONE	2
	6E7-11635-00	REC6E7-11635-00K	PISTÓN	PISTON (0.25mm O/S)	PISTONE	2
	6E7-11636-00	REC6E7-11636-00K	PISTÓN	PISTON (0.50mm O/S)	PISTONE	2
22	682-11610-01	REC682-11610-01	SEGMENTOS	RING SET (STD)	FASCE	2
	682-11610-11	REC682-11610-11	SEGMENTO	RING SET (0.25mm O/S)	SEGMENTO	2
	682-11610-21	REC682-11610-21	SEGMENTO	RING SET (0.50mm O/S)	SEGMENTO	2
23	634-11633-00	REC634-11633-00	BULÓN	PIN, PISTON	SPINOTTO	2
24	93602-14104	REC93602-14104	AGUJA RODAMIENTO	PIN, DOWEL	SPILLO CUSCINETTO	50
25	90201-14377	REC90201-14377	ARANDELA	WASHER, PLATE	RONDELLA	4
26	93450-15023	REC93450-15023	CIERRE	CIRCLIP	CLIP CHIUSURA	4
27	93110-23M00	REC93110-23M00	RETÉN	OIL SEAL	PARAOILIO	1
28	63V-11445-00	REC63V-11445-00	ARANDELA ESPACIADORA	SPACER	RONDELLA DI SPESSORE	2
29	90201-46M29	REC90201-46M29	ARANDELA	WASHER, PLATE	RONDELLA	1

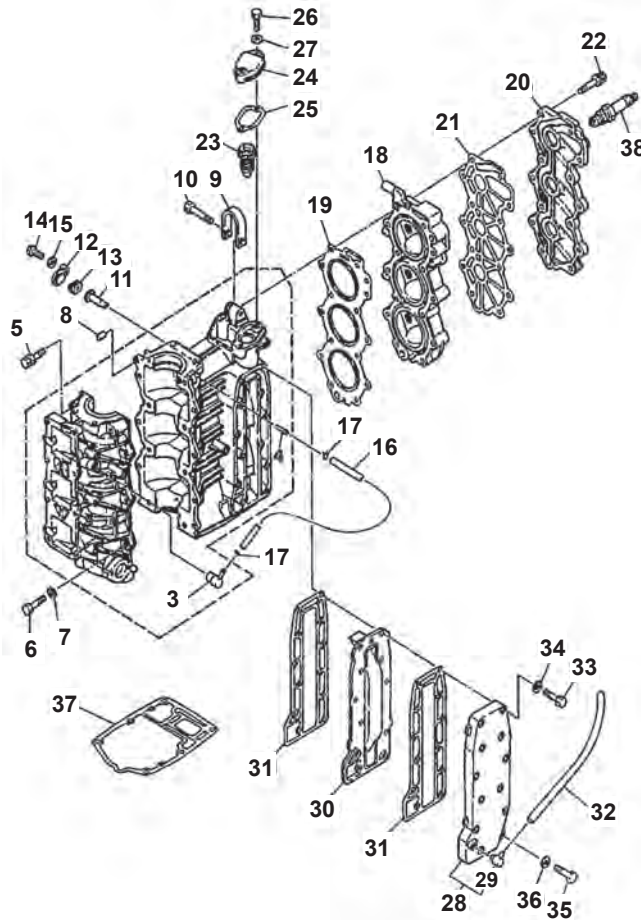


Ref.	R.O.
REC61T-W0001-02	61T-W0001-02

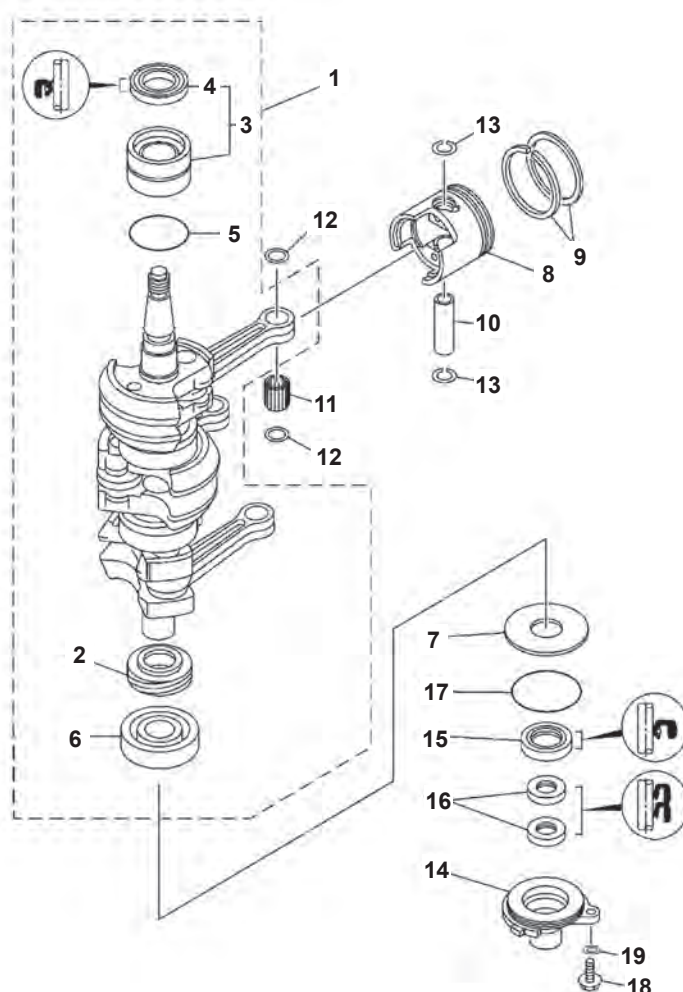


 Kit juntas de motor
 Power head gasket kit
 Kit guarnizione motore

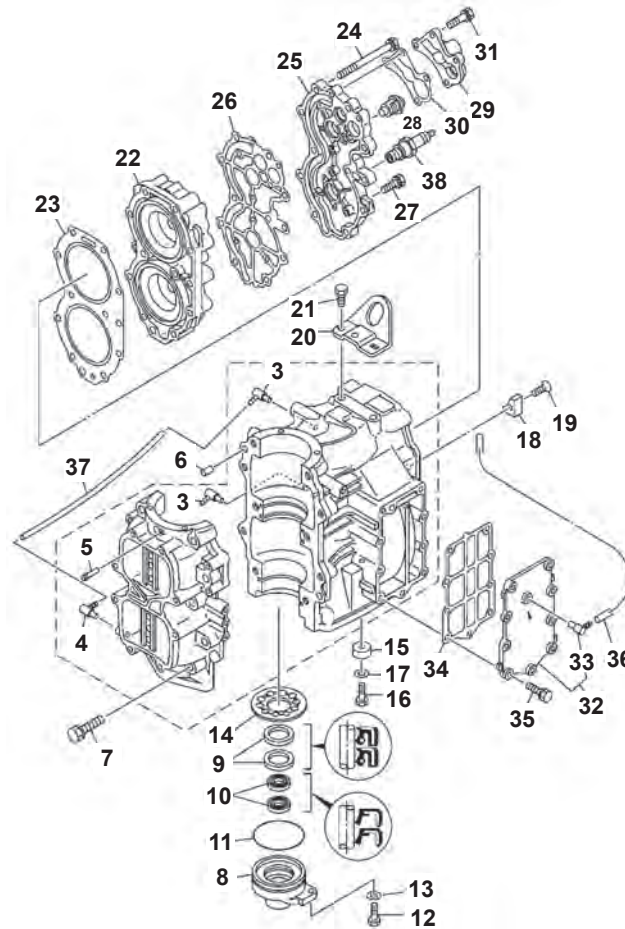
Nº	R.O. OEM	Ref.	Descripción	Description	Descrizione	Cantidad Qty Quantità
3	90119-08009		TORNILLO	BOLT, WITH WASHER	VITE	2
4	90119-08M65		TORNILLO	BOLT, WITH WASHER	VITE	8
5	93606-12019	PAF15-00000006	PIN CENTRADOR	PIN, DOWEL	SPINOTTO CENTRAGGIO	2
6	689-15396-01-5B		CUERPO RETÉN	HOUSING OIL SEAL	CORPO GUARNIZIONE	1
7	93102-25008	REC93102-25008	RETÉN	OIL SEAL	PARAOLIO	1
8	93101-16001	REC93101-16001	RETÉN	OIL SEAL	PARAOLIO	2
9	93210-58M21	REC93210-58M21	ARO TÓRICO	O-RING	O-RING	1
10	97095-06022		TORNILLO	BOLT	VITE	1
11	92995-06600	PAGB/T97.1-85	ARANDELA	WASHER	RONDELLA	1
12	6J8-11325-00	CM6J8-11325-00	ÁNODO ZINC	ANODE	ANODO	1
13	6H3-11327-00-94		TAPA	COVER, ANODE	COPERCHIO ANODO	1
14	6H3-11328-00		JUNTA ANODO	GROMMET, ANODE	GUARNIZIONE ANODO	1
15	97013-06016		TORNILLO	BOLT	VITE	1
16	92903-06600		ARANDELA	WASHER, PLATE	RONDELLA	1
17	689-11325-00	CM689-11325-00	ÁNODO ZINC	ANODE	ANODO	1
18	90151-06M02		TORNILLO	SCREW, COUNTERSUNK	VITE	1
19	61N-11111-01-1S		CULATA	HEAD CYLINDER (25MH ENGINES)	TESTATA	1
	61T-11111-01-1S		CULATA	HEAD CYLINDER	TESTATA	1
20	676-11372-00	PAF15-04000005	RACORD	NIPPLE HOSE	RACCORDO	1
21	61N-11181-A1	REC61N-11181-00	JUNTA CULATA	GASKET, CYLINDER HEAD	GUARNIZIONE TESTATA	1
22	61N-11191-01-1S		TAPA CULATA	COVER, CYLINDER HEAD	Coperchio Testata	1
23	61T-11193-A1	REC61T-11193-A0	TAPA JUNTA CULATA	GASKET HEAD COVER	GUARN. COPERCHIO TESTATA	1
24	90119-06MA2		TORNILLO	BOLT, WITH WASHER	VITE	2
25	90119-08015		TORNILLO	BOLT, WITH WASHER	VITE	11
26	6E5-12411-01	REC6E5-12411-02	TERMOSTATO	THERMOSTAT	TERMOSTATO	1
27	90201-21567		ARANDELA	WASHER PLATE	RONDELLA	1
28	655-12413-01-1S		TAPA	COVER THERMOSTAT	COPERCHIO	1
29	655-12414-A1	REC655-12414-A1	JUNTA	GASKET COVER	GUARNIZIONE	1
30	90119-06MA2		TORNILLO	BOLT WITH WASHER	VITE	3
31	6K8-41121-00-1S		PLACA	INNER COVER, EXHAUST	PIASTRA SCARICO	1
32	6K8-41122-A1	REC6K8-41122-A1	JUNTA	GASKET, EXHAUST INNER COVER	GUARNIZIONE	1
33	61N-41123-00-1S		TAPA	OUTER COVER, EXHAUST	COPERCHIO	1
34	676-11372-00	PAF15-04000005	RACORD	NIPPLE, HOSE	RACCORDO	1
35	90445-10M41		TUBO	HOSE (L105)	TUBO	1
36	6K8-41124-A1	REC6K8-41124-A1	JUNTA	GASKET, EXHAUST OUTER COVER	GUARNIZIONE	1
37	90119-06MA3		TORNILLO	BOLT, WITH WASHER	VITE	1
38	90119-06MA4		TORNILLO	BOLT WITH WASHER	VITE	11
39	90119-06MA0		TORNILLO	BOLT WITH WASHER	VITE	3
40	90201-50306		ARANDELA	WASHER, PLATE	RONDELLA	1
41	689-45113-A1	REC689-45113-A1	JUNTA	GASKET UPPER CASING	GUARNIZIONE	1
42	94702-00271	NGKBR7HS-10	BUJÍA	PLUG SPARK (NGK BR7HS-10) (25MH ENGINES)	CANDELA	2
	94702-00217	NGKB7HS-10	BUJÍA	PLUG SPARK (NGK B7HS-10)	CANDELA	2
43	69P-11400-00		CIGÜEÑAL	CRANKSHAFT ASSY	ALBERO MOTORE	1
44	69P-11412-00	REC6G0-11412-00	PARTE 1 CIGÜEÑAL	CRANK 1	PARTE 1 ALBERO MOTORE	1
45	61N-11422-00	REC6G0-11422-00	PARTE 2 CIGÜEÑAL	CRANK 2	PARTE 2 ALBERO MOTORE	1
46	61N-11432-00	REC6G0-11432-00	PARTE 3 CIGÜEÑAL	CRANK 3	PARTE 3 ALBERO MOTORE	1
47	61N-11442-00	REC6G0-11442-00	PARTE 4 CIGÜEÑAL	CRANK 4	PARTE 4 ALBERO MOTORE	1
48	93399-99951	REC93399-99951	RODAMIENTO	BEARING	CUSCINETTO	1
49	93102-32M07	REC93102-32M07	RETÉN	OIL SEAL	PARAOLIO	1
50	93210-46M16	REC93210-46M16	ARO TÓRICO	O-RING	O-RING	1
51	93306-305U3	REC93306-305U3	RODAMIENTO	BEARING	CUSCINETTO	1
52	61N-11515-00	REC61N-11515-00	ARO	SEAL, LABYRINTH	O-RING	1
53	93440-62057		CERCLIP	CIRCLIP	CLIP CHIUSURA	1
54	689-11651-00	REC689-11651-00	BIELA	ROD CONNECTING	BIELLA	2
55	689-11681-01	REC689-11681-00	BULÓN	PIN, CRANK 1	BULLONE	2
56	93310-62406	REC93310-624U5	RODAMIENTO	BEARING	CUSCINETTO	2
57	90209-24M03	REC90209-24M03	ARANDELA	WASHER	RONDELLA	4
58	90387-32002	REC90387-32002	COLLAR	COLLAR	COLLARE	1
59	93390-00009		RODAMIENTO	BEARING	CUSCINETTO	1
60	61N-11631-00-95	REC61N-11631-00K	PISTÓN	PISTON (STD)	PISTONE	2
	61N-11635-00	REC61N-11635-00K	PISTÓN	PISTON (25mm O/S)	PISTONE	2
	61N-11636-00	REC61N-11636-00K	PISTÓN	PISTON (50mm O/S)	PISTONE	2
61	61N-11603-00	REC61N-11603-00	SEGMENTOS	PISTON RING TEST (STD)	SET FASCE	2
	61N-11604-00	REC61N-11604-00	SEGMENTO	PISTON RING SET (25mm O/S)	SET FASCE	2
	61N-11605-00	REC61N-11605-00	SEGMENTO	PISTON RING SET (50mm O/S)	SET FASCE	2
62	689-11633-00	REC689-11633-00	BULÓN	PIN, PISTON	SPINOTTO	2
63	93602-20M02	REC93602-20M02	AGUJA RODAMIENTO	PIN, DOWEL	GABBIA A RULLI	68
64	688-11634-00	REC688-11634-00	CIERRE	CLIP, PISTON PIN	CLIP CHIUSURA PISTONE	4
65	90201-20M27	REC90201-20M27	ARANDELA CIERRE	WASHER, PLATE	RONDELLA CLIP CHIUSURA	4
66	90280-05049	REC90280-05015	CHAVETA	KEY WOODRUFF	CHIAVETTA	1



Nº	R.O. OEM	Ref.	Descripción	Description	Descrizione	Cantidad Quantity Quantità
3	650-11370-00	REC650-11370-00	VÁLVULA DE CONTROL COMPL.	CHECK VALVE ASSY	VALVOLA DI CONTROLLO COMPL.	1
4	624-14485-00		TUBO DE UNIÓN	CONNECTING HOSE	RACCORDO TUBO	1
5	90119-08M19		TORNILLO CON ARANDELA	BOLT WITH WASHER	VITE CON RONDELLA	8
6	97095-06030	REC97095-06030	PERNO	BOLT	PERNO	6
7	92990-06600		ARANDELA PLANA	FLAT WASHER	RONDELLA PIANA	6
8	93606-12019	REC93606-12019	PASADOR DE CLAVIJA	PEG BOLT	PERNO PASSANTE	2
9	6F5-11119-00		SOPORTE DEL MOTOR	ENGINE BRACKET	SUPPORTO MOTORE	1
10	97013-08035		PERNO	BOLT	PERNO	1
11	6J8-11325-00	TEN01150	ÁNODO	ANODE	ANODO	2
12	6H3-11327-00-94		CUBIERTA DE ÁNODO	ANODE COVER	COPERCHIO ANODO	2
13	6H3-11328-00		TAPON	PLUG	TAPPO	2
14	97095-06016		PERNO	BOLT	PERNO	2
15	92990-06600		ARANDELA PLANA	FLAT WASHER	RONDELLA PIANA	2
16	90445-07M29		TUBO (L135)	HOSE (L135)	TUBO (L135)	1
17	90467-06016	PAHT-2.5X60	PRESILLA	FASTENER	CLIP	2
18	6J8-11111-00-94		CULATA CILINDRO 1	CYLINDER HEAD 1	TESTATA CILINDRO 1	1
19	6J8-11181-A1	REC6J8-11181-A2	JUNTA DE CULATA 1	CYLINDER HEAD GASKET	GUARNIZIONE TESTATA 1	1
20	6J8-11191-00-9M		TAPA CULATA DE CILINDRO 1	CYLINDER HEAD COVER 1	COPERCHIO TESTATA CILINDRO 1	1
21	6J8-11193-A1		JUNTA	GASKET	GUARNIZIONE	1
22	90119-08M21	REC90119-08M21	TORNILLO CON ARANDELA	BOLT WITH WASHER	VITE CON RONDELLA	14
23	6E5-12411-01	REC6E5-12411-01	TERMOSTATO	THERMOSTAT	TERMOSTATO	1
24	6H4-12413-00-9M		CUBIERTA TERMOSTATO	THERMOSTAT COVER	COPERCHIO TERMOSTATO	1
25	61A-12414-A0	REC61A-12414-A0	JUNTA	GASKET	GUARNIZIONE	1
26	97095-06025		PERNO	BOLT	PERNO	2
27	92990-06600		ARANDELA PLANA	FLAT WASHER	RONDELLA PIANA	2
28	6J8-41113-00-9M		CUBIERTA EXT. ESCAPE	OUTTER EXHAUST COVER	COPERCHIO EST. DI SCARICO	1
29	676-11372-00	PAF15-04000005	NIPPLE DE MANGUERA	HOSE NIPPLE	RACCORDO TUBO	1
30	6J8-41111-00-9M		CUBIERTA INTERIOR DE ESCAPE	INNER EXHAUST COVER	COPERCHIO INTERNO DI SCARICO	1
31	6J8-41114-A0		JUNTA	GASKET	GUARNIZIONE	2
32	6J8-1111J-00		TUBO 1	HOSE 1	TUBO 1	1
33	97014-06035		TORNILLO HEXAGONAL	HEXAGON BOLT	VITE ESAGONALE	11
34	92990-06600		ARANDELA PLANA	FLAT WASHER	RONDELLA PIANA	11
35	97095-06025		PERNO	BOLT	PERNO	1
36	92990-06600		ARANDELA PLANA	FLAT WASHER	RONDELLA PIANA	1
37	6J8-45113-A0	REC6J8-45113-00	JUNTA	GASKET	GUARNIZIONE	1
38	94702-00271	NGKBR7HS-10	BUJÍA (NGK BR7HS-10)	SPARKPLUG (NGK BR7HS-10)	CANDELA (NGK BR7HS-10)	3

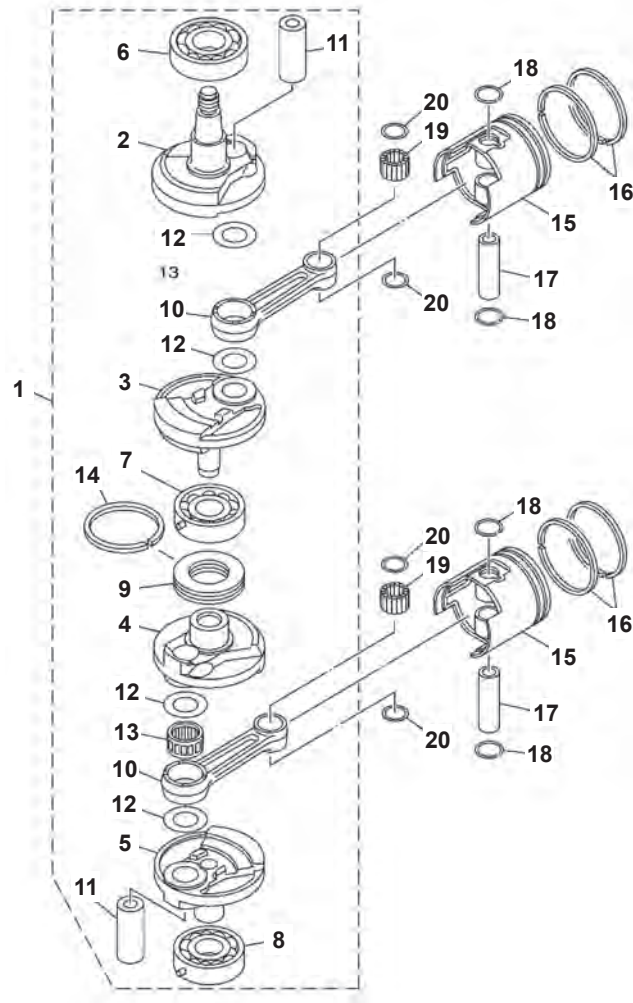


Nº	R.O. OEM	Ref.	Descripción	Description	Descrizione	Cantidad Quantity Quantità
1	6J8-11400-11		CIGÜEÑAL COMPLETO	CRANKSHAFT ASSY	ALBERO MOTORE	1
2	6J8-11536-00		ENGRANAJE TRACCIÓN	GEAR DRIVE	INGRANAGGIO	1
3	93311-632U7	REC93311-632U7	COJINETE RODILLOS	BEARING, CYL	CUSCINETTO CILINDRO	1
4	93102-26M27	REC93102-26M27	SELLO ACEITE	OIL SEAL	PARAOILIO	1
5	93210-42159	REC93210-42159	ANILLO O	O RING	O-RING	1
6	93306-305U3	REC93306-305U3	COJINETE	BEARING	CUSCINETTO	1
7	90201-50306		ARANDELA PLANA	FLAT WASHER	RONDELLA PIANA	1
8	6J8-11631-02-97	REC6J8-11631-02K	PISTÓN (NORMA)	PISTON	PISTONE (STD)	3
	6J8-11635-02		PISTÓN (0.25mm O/S)	PISTON	PISTONE (0.25mm O/S)	3
	6J8-11636-02		PISTÓN (0.50mm O/S)	PISTON	PISTONE (0.50mm O/S)	3
9	6J8-11601-01		JUEGO DE AROS (NORMA)	RING SET	SET FASCE (STD)	3
	6J8-11601-11		JUEGO DE AROS (0.25mm O/S)	RING SET	SET FASCE (0.25mm O/S)	3
	6J8-11601-21		JUEGO DE AROS (0.50mm O/S)	RING SET	SET FASCE (0.50mm O/S)	3
10	6J8-11633-00		PASADOR PISTÓN	PIN PISTON	SPINOTTO PISTONE	3
11	93602-16M10		PASADOR CLAVIJA	PIN PEG	SPINOTTO	84
12	90201-16379		ARANDELA PLANA	FLAT WASHER	RONDELLA PIANA	6
13	93450-17129		CIERRE	CIRCLIP	CLIP CHIUSURA	6
14	6J8-15396-00-8B		CAJA DE SELLO DE ACEITE	SEAL OIL BOX	PARAOILIO	1
15	93101-25M28		SELLO ACEITE	OIL SEAL	PARAOILIO	1
16	93104-16M04	REC93104-16M01	SELLO ACEITE	OIL SEAL	PARAOILIO	2
17	93210-56M80	REC6E5-12411-01	ANILLO O	O RING	O-RING	1
18	97095-06016		PERNO	BOLT	PERNO	2
19	92990-06600	REC61A-12414-A0	ARANDELA PLANA	FLAT WASHER	RONDELLA PIANA	2

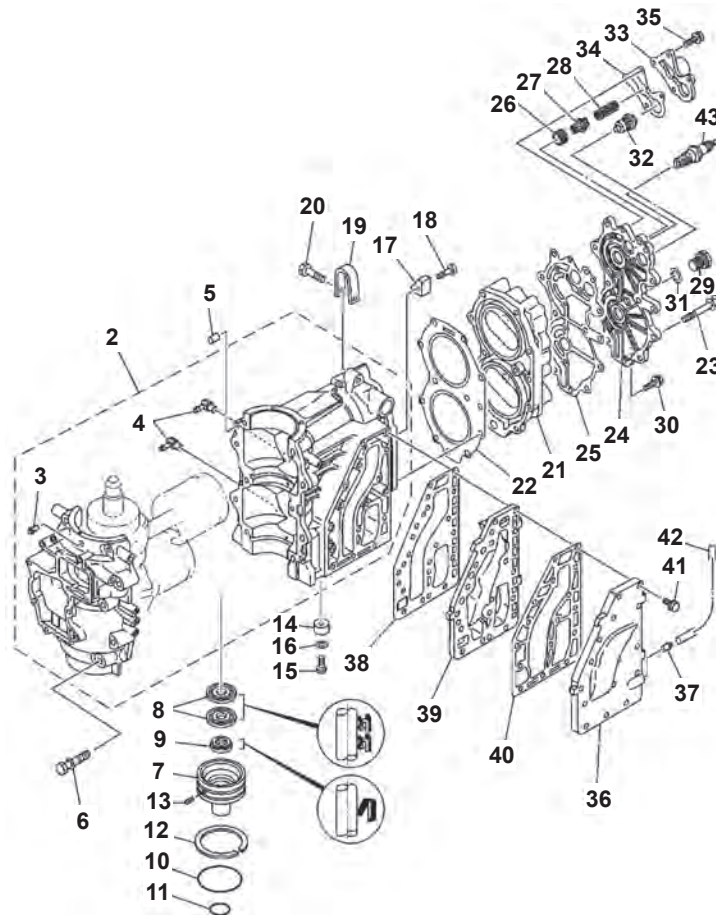


Nº	R.O. OEM	Ref.	Descripción	Description	Descrizione	Cantidad Qty Quantità
3	6E5-03552-00		RACORD	NOZZEL	RACCORDO	2
4	6E5-13552-00		RACORD	NOZZEL	RACCORDO	1
5	624-14485-00		CENTRADOR	PIPE, JOINT	GIUNTO PER TUBO	1
6	93608-12063		PIN	DOWEL	SPINOTTO	2
7	90119-10005		TORNILLO	BOLT, WITH WASER	VITE	10
8	66T-15396-01-94		CUERPO RETÉN	HOUSIN, OIL SEAL	CORPO GUARNIZIONE	1
9	93102-30M56	REC93102-30M56	RETÉN	OIL SEAL	PARAOILIO	2
10	93101-16001	REC93101-16001	RETÉN	OIL SEAL	PARAOILIO	2
11	93210-65M50	REC93210-65M50	ARO TÓRICO	O-RING	O-RING	1
12	97095-06020		TORNILLO	BOLT	VITE	1
13	92995-06600	PAGB/T97.1-85	ARANDELA	WASHER	RONDELLA	1
14	66T-11565-00		ARANDELA	WASHER, BEARING COVER	RONDELLA	1
15	676-45251-00	REC676-45251-00	ÁNODO	ANODE	ANODO	1
16	97095-06020		TORNILLO	BOLT	VITE	1
17	92995-06600	PAGB/T97.1-85	ARANDELA	WASHER	RONDELLA	1
18	676-11325-00	REC676-11325-00	ÁNODO	ANODE	ANODO	1
19	90141-06M00		TORNILLO	SCREW, COUNTERSUNK	VITE	1
20	66T-11119-00		GANCHO	HANGER, ENGINE	GANCIO	1
21	90101-08002		TORNILLO	BOLT	VITE	2
22	66T-11111-01-1S		CULATA	HEAD CYLINDER	TESTATA	1
23	66T-11181-A2	REC66T-11181-00	JUNTA CULATA	HEAD CYLINDER GASKET	GUARNIZIONE TESTATA	1
24	90119-08MA5		TORNILLO	BOLT, WITH WASHER	VITE	11
25	66T-11191-00-1S		CULATÍN	COVER, CYLINDER HEAD	COPERCHIO TESTATA	1
26	66T-11193-A2	REC66T-11193-A0	JUNTA CULATÍN	HEAD COVER GASKET	GUARNIZIONE TESTATA	1
27	90119-06MA3		TORNILLO	BOLT, WITH WASHER	VITE	4
28	6E5-12411-01	REC6E5-12411-02	TERMOSTATO	THERMOSTAT	TERMOSTATO	1
29	676-12413-00-1S		TAPA TERMOSTATO	THERMOSTAT COVER	COPERCHIO TERMOSTATO	1
30	676-12414-A0	REC676-12414-A0	JUNTA TAPA	GASKET, COVER	GUARNIZIONE COPERCHIO	1
31	90119-06MA5		TORNILLO	BOLT, WITH WASHER	VITE	4
32	66T-41113-00-1S		TAPA	OUTER COVER, EXHAUST	COPERCHIO	1
33	676-11372-00		RACORD	NIPPLE HOSE	RACCORDO	1
34	66T-41114-A0	REC66T-41114-A0	JUNTA TAPA REFRIG.	GASKET, EXHAUST OUTER COVER	GUARN. COPERCHIO REFRIG.	1
35	90119-06MA3		TORNILLO	BOLT, WITH WASHER	VITE	9
36	90445-09M75		TUBO	HOSE (L370)	TUBO	1
37	90445-07M08		TUBO	HOSE (L220)	TUBO	1
38	NGK-BR7HS-PK10	NGKBR7HS	BUJÍA NGKBR7HS	PLUG, SPARK NGKBR7HS	CANDELA NGKBR7HS	2

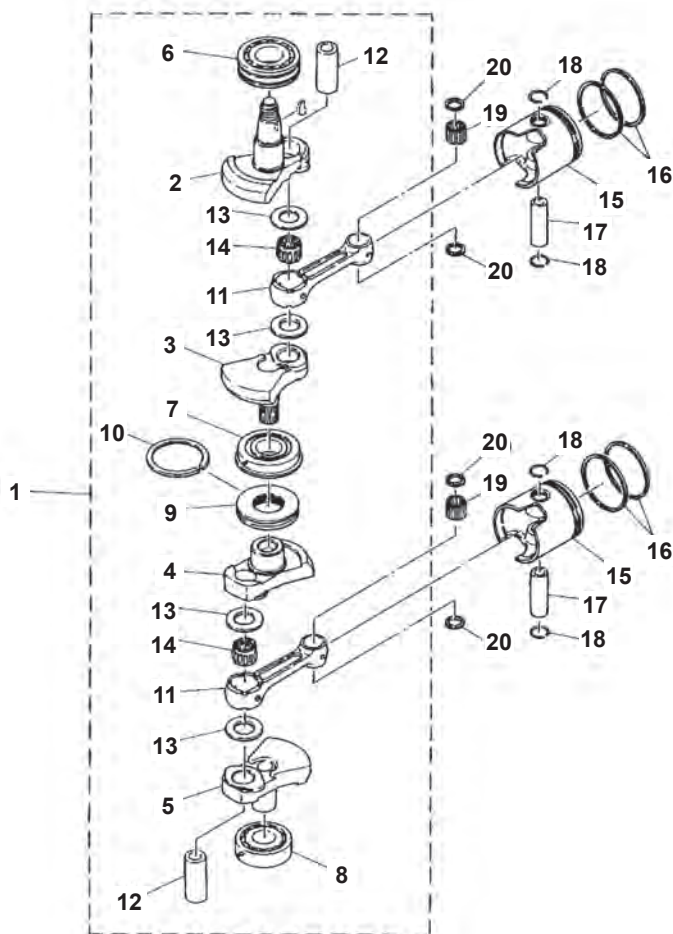
E40X - 40XMH - E40XMH/XW/XWT



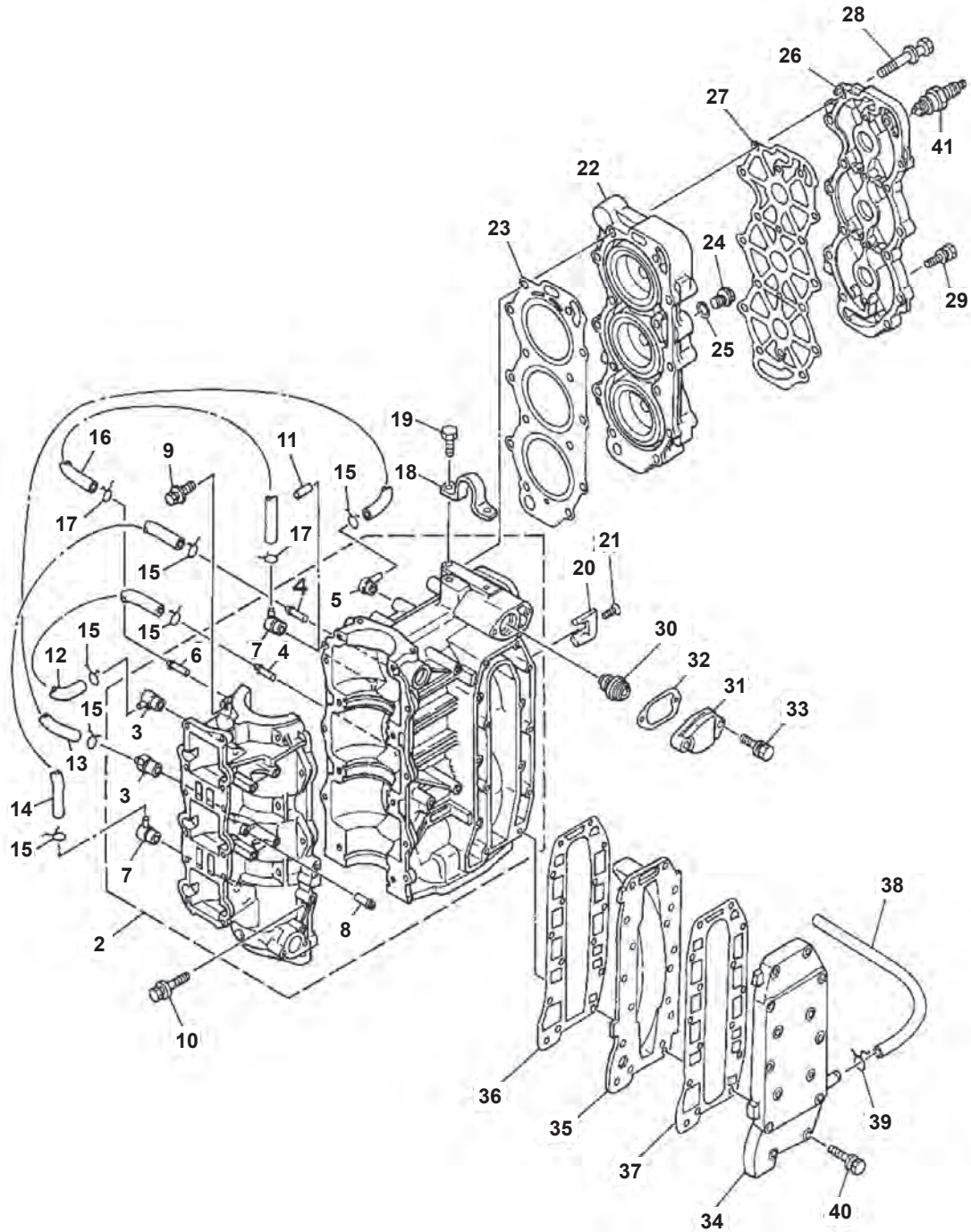
Nº	R.O. OEM	Ref.	Descripción	Description	Descrizione	Cantidad Quantity Quantità
1	66T-11400-01		CIGÜEÑAL	CRANKSAHFT ASSY	ALBERO MOTORE	1
2	66T-11412-00	REC66T-11412-00	PARTE 1 CIGÜEÑAL	CRANK 1	PARTE 1 ALBERO MOTORE	1
3	66T-11422-00	REC66T-11422-00	PARTE 2 CIGÜEÑAL	CRANK 2	PARTE 2 ALBERO MOTORE	1
4	66T-11432-00	REC66T-11432-00	PARTE 3 CIGÜEÑAL	CRANK 3	PARTE 3 ALBERO MOTORE	1
5	66T-11442-00	REC66T-11442-00	PARTE 4 CIGÜEÑAL	CRANK 4	PARTE 4 ALBERO MOTORE	1
6	93306-307U0	REC93306-307U0	RODAMIENTO	BEARING	CUSCINETTO	1
7	93332-000UE	REC93332-000UE	RODAMIENTO	BEARING	CUSCINETTO	1
8	93306-306V5	REC93306-306V5	RODAMIENTO	BEARING	CUSCINETTO	1
9	6F5-11515-00	REC6F5-11515-00	ARILLO	SEAL, LABERYNTH 1	GUARNIZIONE TONDA	1
10	6F5-11651-00	REC6F5-11651-00	BIELA	ROD, CONNECTING	BIELLA	2
11	66T-11681-00	REC66T-11681-00	BULÓN	PIN CRANK 1	SPINOTTO	2
12	90209-27M07	REC90209-27M07	ARANDELA	WASHER	RONDELLA	4
13	93310-727U0	REC93310-727U0	RODAMIENTO	BEARING	CUSCINETTO	2
14	93440-68M03	REC93440-68M03	CIERRE	CIRCLIP	CLIP CHIUSURA	1
15	66T-11631-01-93	REC66T-11631-01K	PISTÓN	PISTON (STD)	PISTONE	2
	66T-11635-01	REC66T-11635-01K	PISTÓN	PISTON (0.25mm O/S)	PISTONE	2
	66T-11636-01	REC66T-11636-01K	PISTÓN	PISTON (0.50mm O/S)	PISTONE	2
16	66T-11603-00	REC66T-11603-00	SEGMENTOS	PISTON RING SET (STD)	SET FASCE	2
	66T-11604-00	REC66T-11604-00	SEGMENTOS	PISTON RING SET (0.25mm O/S)	SET FASCE	2
	66T-11605-00	REC66T-11605-00	SEGMENTOS	PISTON RING SET (0.50mm O/S)	SET FASCE	2
17	6F5-11633-00	REC6F5-11633-00	BULÓN	PIN, PISTON	SPINOTTO	2
18	663-11634-00	REC663-11634-00	JUNTA	CLIP, PISTON PIN	GUARNIZIONE	4
19	93603-21111	REC93603-21111	AGUJAS RODAMIENTO	PIN, DOWEL	SPINOTTO CENTRAGGIO	56
20	90201-20417	REC90201-20417	ARANDELA	WASHER, PLATE	RONDELLA	4



Nº	R.O. OEM	Ref.	Descripción	Description	Descrizione	Cantidad Quantity
3	624-14485-00		TUBO DE UNIÓN	PIPE, JOINT	GIUNTO PER TUBO	1
4	650-11370-01	REC650-11370-00	VÁLVULA CONTROL COMPL.	CONTROL VALVE	VALVOLA DI CONTROLLO COMPL.	2
5	93608-12063		PASADOR DE CLAVIJA	PIN DOWEL	PERNO PASSANTE	2
6	90119-10005		TORNILLO CON ARANDELA	BOLT WITH WASHER	VITE CON RONDELLA	10
7	6F5-15396-01-5B		CAJA DE SELLO DE ACEITE	HOUSING OIL SEAL	PARAOILIO	1
8	93101-30M33	REC93101-30M33	RETÉN	OIL SEAL	PARAOILIO	2
9	93104-16M01	REC93104-16M01	RETÉN	OIL SEAL	PARAOILIO	1
10	93210-65M50	REC93210-65M50	ANILLO O	O RING	O-RING	1
11	93210-22M02	REC93210-22M02	ANILLO O	O RING	O-RING	1
12	93440-68M03	REC93440-68M03	CIERRE	CIRCLIP	CLIP CHIUSURA	1
13	91690-30010		PASADOR DE RESORTE	PIN, SPRING	SPINOTTO DI RITORNO	1
14	676-45251-00	TEN01127	ÁNODO	ANODE	ANODO	1
15	97095-06016		PERNO	BOLT	PERNO	1
16	92995-06600		ARANDELA	WASHER	RONDELLA	1
17	676-11325-00	TEN01166	ÁNODO	ANODE	ANODO	1
18	90141-06M00		TORNILLO RANURADO	SLOTTED BOLT	VITE SCANALATA	1
19	6F5-11119-00		SOPORTE DEL MOTOR	ENGINE BRACKET	SUPPORTO MOTORE	1
20	90101-08001		TORNILLO	BOLT	VITE	1
21	6F6-11111-00-1S		CULTA CILINDRO 1	CYLINDER HEAD 1	TESTA CILINDRO 1	1
22	6F5-11181-A1	REC6F5-11181-A2	JUNTA DE CULATA 1	HEAD CYLINDER GASKET 1	GUARNIZIONE TESTATA 1	1
23	90119-08MA5		TORNILLO CON ARANDELA	BOLT WITH WASHER	VITE CON RONDELLA	11
24	6F6-11191-00-1S		TAPA CULATA DE CILINDRO 1	HEAD CYLINDER COVER	COPERCHIO TESTATA CILINDRO1	1
25	6F6-11193-A1	REC6F6-11193-A1	JUNTA	GASKET	GUARNIZIONE	1
26	90480-18065		TAPÓN	PLUG	TAPPO	1
27	663-12416-00		VÁLVULA CONTROL DE PRESIÓN	VALVE, PRESS CONTROL	VALVOLA DI CONTROLLO PRESSIONE	1
28	90501-14M02		RESORTE DE COMPRESIÓN	SPRING COMPRESSION	MOLLA DI COMPRESIONE	1
29	90340-14036		TORNILLO DE DRENAJE	PLUG STRAIGHT SCREW	VITE DRENAGGIO	1
30	90119-06MA3		TORNILLO CON ARANDELA	BOLT WITH WASHER	VITE CON RONDELLA	4
31	90430-14115	PAF15-04000003	JUNTA	GASKET	GUARNIZIONE	1
32	6F5-12411-02	REC6F5-12411-03	TERMOSTATO	THERMOSTAT	TERMOSTATO	1
33	6E9-12413-00-1S		CUBIERTA TERMOSTATO	THERMOSTAT COVER	COPERCHIO TERMOSTATO	1
34	6E9-12414-A1	REC6E9-12414-A0	JUNTA	GASKET	GUARNIZIONE	1
35	90119-06MA4		TORNILLO CON ARANDELA	BOLT WITH WASHER	VITE CON RONDELLA	4
36	6F5-41113-01-1S		CUBIERTA EXT. DE ESCAPE	OUTTER EXHAUST COVER	COPERCHIO ESTERNO SCARICO	1
37	650-24378-00		TUBO DE UNIÓN 4	PIPE JOINT 4	GIUNTO PER TUBO 4	1
38	6F5-41112-A0	REC6F5-41112-A0	JUNTA	GASKET	GUARNIZIONE	1
39	6F5-41112-01-1S		CUBIERTA INT. DE ESCAPE	INNER EXHAUST COVER	COPERCHIO INT. SCARICO	1
40	6F5-41114-A0	REC6F5-41114-A0	JUNTA	GASKET	GUARNIZIONE	1
41	90119-06MA3		TORNILLO CON ARANDELA	BOLT WITH WASHER	VITE CON RONDELLA	16
42	90445-09M37		TUBO (L240)	HOSE (L240)	TUBO (L240)	1
43	94702-00040	NGKB7HS	BUJÍA	SPARKPLUG	CANDELA	2

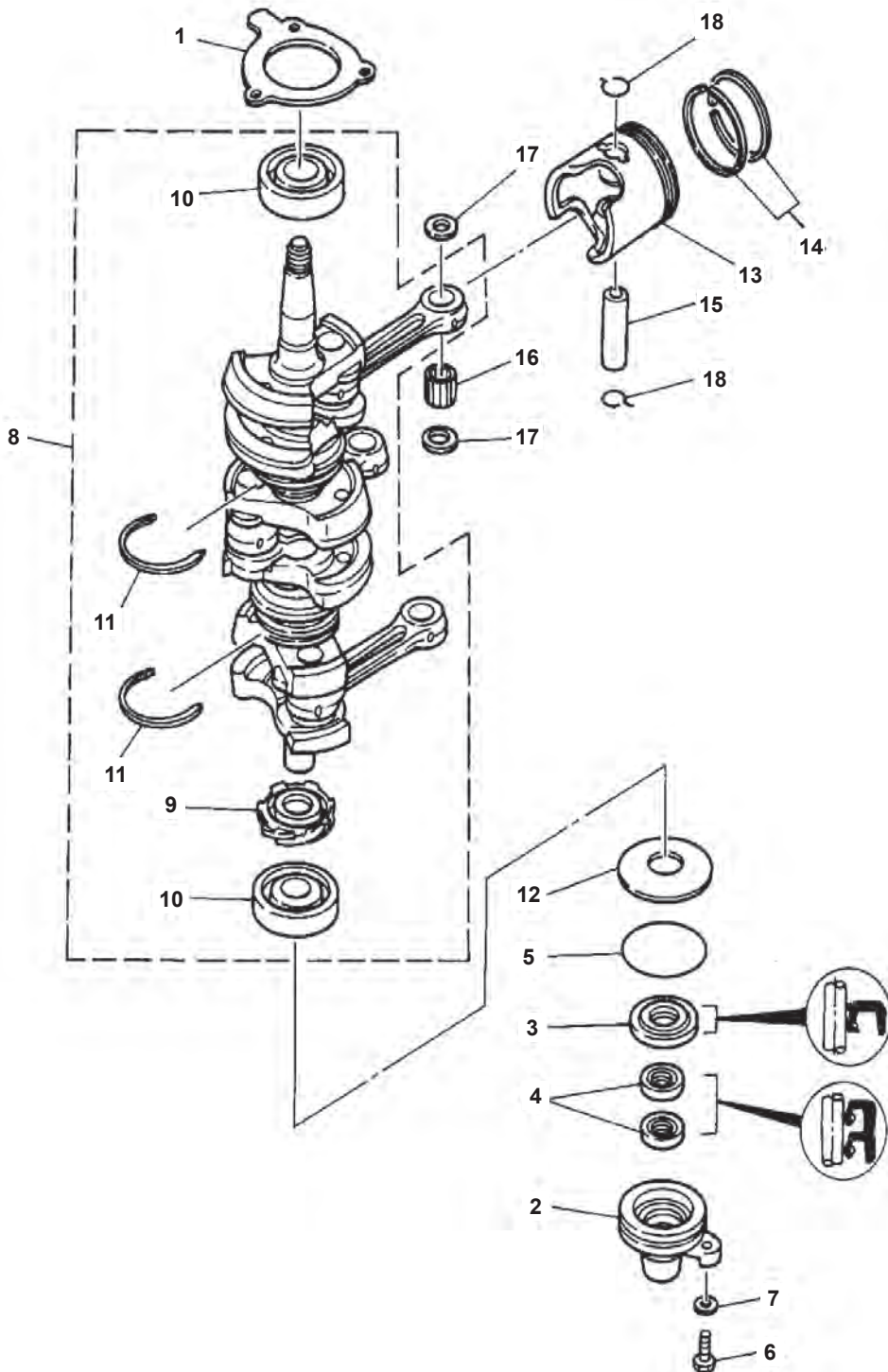


Nº	R.O. OEM	Ref.	Descripción	Description	Descrizione	Cantidad Quantity
1	6F6-11400-01		CIGÜEÑAL COMPLETO	CRANKSHAFT COMPLETE	ALBERO MOTORE COMPLETO	1
2	6F5-11412-11	REC6F5-11412-11	PARTE 1 CIGÜEÑAL	CRANK 1	PARTE 1 ALBERO MOTORE	1
3	6F5-11422-11	REC6F5-11422-11	PARTE 2 CIGÜEÑAL	CRANK 2	PARTE 2 ALBERO MOTORE	1
4	6F5-11432-11	REC6F5-11432-11	PARTE 3 CIGÜEÑAL	CRANK 3	PARTE 3 ALBERO MOTORE	1
5	6F5-11442-11	REC6F5-11442-11	PARTE 4 CIGÜEÑAL	CRANK 4	PARTE 4 ALBERO MOTORE	1
6	93306-307U0	REC93306-307U0	COJINETE	BEARING	CUSCINETTO	1
7	93332-000UE	REC93332-000UE	COJINETE	BEARING	CUSCINETTO	1
8	93306-306U1	REC93306-306U2	COJINETE	BEARING	CUSCINETTO	1
9	6F5-11515-00	REC6F5-11515-00	SELLO LABERINTO 1	LABERINTH SEAL 1	GUARNIZIONE SIGILLATA 1	1
10	93440-68M03	REC93440-68M03	CIERRE	CERCLIP	CLIP CHIUSURA	1
11	6F5-11651-00	REC6F5-11651-00	BIELA	CRANK	BIELLA	2
12	6F5-11681-00	REC6F5-11681-00	PASADOR MANIVELA 1	PISTON PIN	SPINOTTO LEVA 1	2
13	90209-27M07	REC90209-27M07	ARANDELA DE SEPARACIÓN	WASHER	RONDELLA DISTANZIALE	14
14	93310-727V7	REC93310-727V7	COJINETE DE RODILLOS	BEARING	GABBIA A RULLI	2
15	6F6-11631-00-95	REC6F6-11631-00K	PISTÓN (NORMA)	PISTON	PISTONE (STD)	2
	6F6-11635-00		PISTÓN (0.25mm O/S)	PISTON	PISTONE (0.25mm O/S)	2
	6F6-11636-00	REC6F6-11636-00K	PISTÓN (0.50mm O/S)	PISTON	PISTONE (0.50mm O/S)	2
16	6F5-11610-00	REC6F5-11610-00	JUEGO DE AROS (NORMA)	RING SET	SET FASCE (STD)	2
	6F5-11610-10	REC6F5-11610-10	JUEGO DE AROS (0.25mm O/S)	RING SET	SET FASCE (0.25mm O/S)	2
	6F5-11610-20	REC6F5-11610-20	JUEGO DE AROS (0.50mm O/S)	RING SET	SET FASCE (0.50mm O/S)	2
17	6F5-11633-00	REC6F5-11633-00	PASADOR, PISTÓN	PISTON PIN	SPINOTTO, PISTONE	2
18	663-11634-00	REC663-11634-00	PRESILLA, BULÓN DE PISTÓN	CLIP PISTON PIN	CLIP SPINOTTO PISTONE	4
19	93603-21111	REC93603-21111	PASADOR DE CLAVIJA	PIN ROLLER BEARING	PERNO PASSANTE	56
20	90201-20417	REC90201-20417	ARANDELA PLANA	FLAT WASHER	RONDELLA PIANA	4

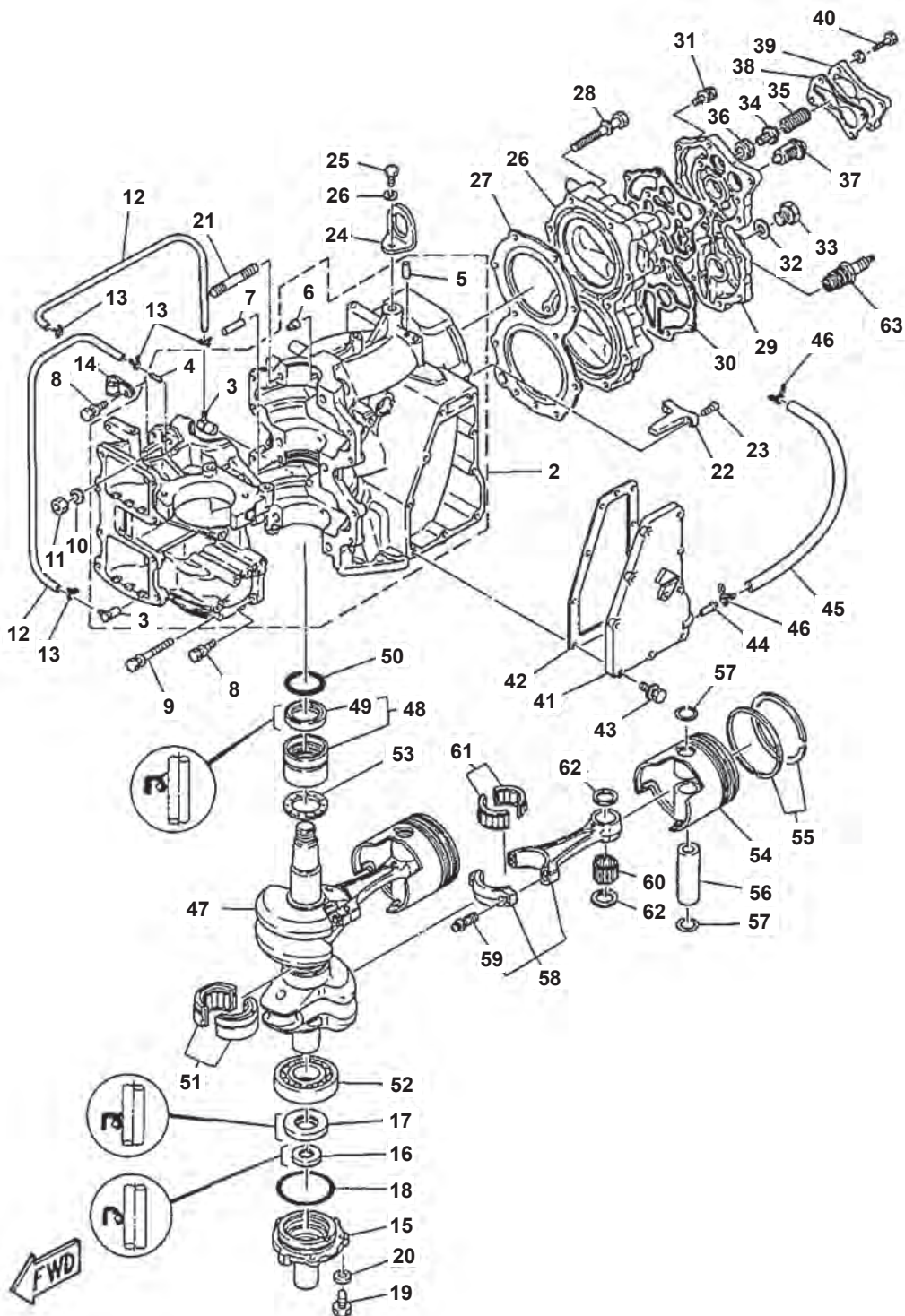


Ref.	R.O.
REC63D-W0001-00	
<p>Kit juntas de motor Power head gasket kit Kit guarnizione motore</p>	

Nº	R.O. OEM	Ref.	Descripción	Description	Descrizione	Cantidad Qty Quantità
3	650-11370-01	REC650-11370-00	VÁLVULA	CHECK VALVE ASSY	VALVOLA	2
4	624-14485-00		PIPA	PIPE, JOINT	GIUNTO PER TUBO	2
5	6H4-11372-01		RACORD	NIPPLE HOSE	RACCORDO	1
6	624-14485-00		PIPA	PIPE JOINT	GIUNTO PER TUBO	1
7	688-11370-01	REC688-11370-00	VÁLVULA	CHECK VALVE ASSY	VALVOLA	2
8	650-24378-00		PIPA	PIPE JOINT	GIUNTO PER TUBO	1
9	90119-08019		TORNILLO	BOLT WITH WASHER	VITE	8
10	90119-06M13		TORNILLO	BOLT WITH WASHER	VITE	6
11	93606-12019	PAF15-00000006	PIN DOWEL	LABERINTH SEAL 1	SPINOTTO CENTRAGGIO	2
12	90445-07M46		TUBO	HOSE (L360)	TUBO	1
13	90445-07M27		TUBO	HOSE (L310)	TUBO	1
14	90445-07M24		TUBO	HOSE (L240)	TUBO	1
15	90467-06016		CLIP	CLIP	CLIP	6
16	90445-07MA3		TUBO	HOSE (L200)	TUBO	1
17	90467-06016		CLIP	CLIP	CLIP	2
18	6H4-11119-01		PUENTE	HANGER, ENGINE	GANCIO	1
19	90101-06021		TORNILLO	BOLT	VITE	2
20	688-11325-00	REC688-11325-00	ÁNODO	ANODE	ANODO	2
21	98780-04016		TORNILLO	SCREW, FLAT HEAD	VITE	2
22	63D-11111-00-1S		CULATA	HEAD CYLINDER	TESTATA	1
23	63D-11181-A2	REC63D-11181-A1	JUNTA CULATA	GASKET, CYLINDER HEAD	GUARNIZIONE TESTATA	1
24	90340-14M00		TAPÓN	PLUG, STRAIGHT SCREW	TAPPO	1
25	90430-14115	REC90430-14115	JUNTA	GASKET	GUARNIZIONE	1
26	63D-11191-00-1S		TAPA CULATÍN	COVER, CYLINDER HEAD	COPERCHIO TESTATA	1
27	63D-11193-A0	REC63D-11193-A0	JUNTA	GASKET, HEAD COVER	GUARNIZIONE	1
28	90119-08015		TORNILLO	BOLT WITH WASHER	VITE	14
29	90119-06MA3		TORNILLO	BOLT, WITH WASHER	VITE	4
30	6E5-12411-30	REC6E5-12411-30	TERMOSTATO	THERMOSTAT	TERMOSTATO	1
31	6H4-12413-00-1S		TAPA TERMOSTATO	COVER, THERMOSTAT	COPERCHIO TERMOSTATO	1
32	6J8-12414-A0	REC61A-12414-A0	JUNTA TAPA	GASKET, COVER	GUARNIZIONE COPERCHIO	1
33	90119-06MA3		TORNILLO	BOLT, WITH WASHER	VITE	2
34	6H4-41113-00-1S		TAPA	OUTER COVER, EXHAUST	COPERCHIO	1
35	6H4-41111-00-1S		PLACA	INNER COVER, EXHAUST	PIASTRA	1
36	6H4-41112-A0	REC6H4-41112-A0	JUNTA	GASKET, EXHAUST INNER COVER	GUARNIZIONE	1
37	6H4-41114-A0	REC6H4-41114-A0	JUNTA	GASKET, EXHAUST OUTER COVER	GUARNIZIONE	1
38	90445-09M37		TUBO	HOSE (L240)	TUBO	1
39	90467-08004		CLIP	CLIP	CLIP	1
40	90119-06MA5		TORNILLO	BOLT, WITH WASHER	VITE	13
41	94702-00247	NGKBR8HS-10	BUJÍA	PLUG, SPARK (NGK BR8HS-10)	CANDELA	3
	94702-00271	NGKBR7HS-10	BUJÍA	PLUG, SPARK (NGK BR7HS-10) (EO, MHO ENGINES)	CANDELA	3



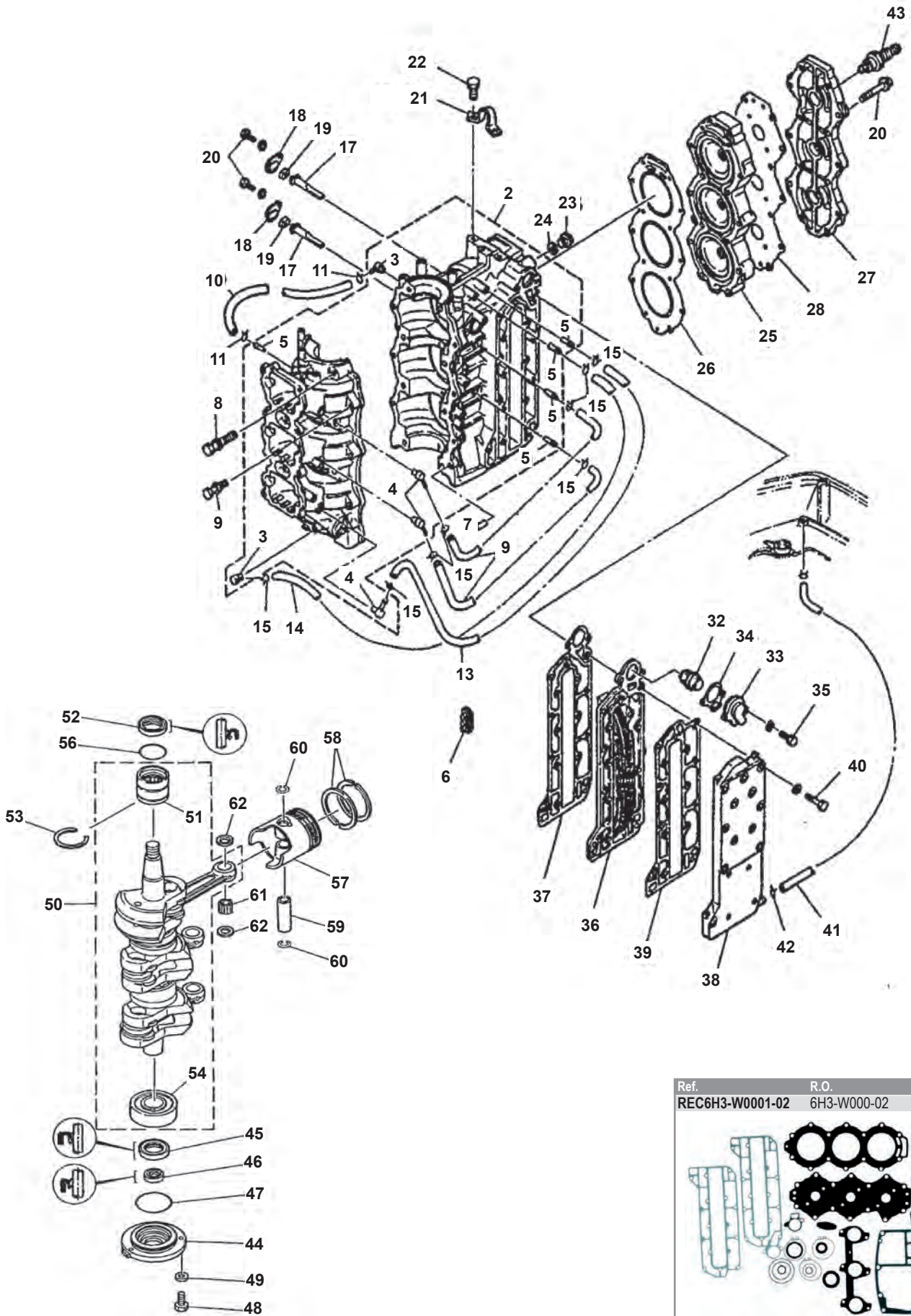
Nº	R.O. OEM	Ref.	Descripción	Description	Descrizione	Cantidad Quanty Quantità
1	6H4-15369-A1	REC6H4-15369-A1	JUNTA CUERPO	GASKET, OIL SEAL HOUSING	GUARNIZIONE CORPO	1
2	6H4-15396-03-5B		CUERPO	HOUSING, OIL SEAL	CORPO	1
3	93102-25M28	REC93102-25M28	RETÉN	OIL SEAL	PARAOLIO	1
4	93104-16M01	REC93104-16M01	RETÉN	OIL SEAL	PARAOLIO	2
5	93210-58M21	REC93210-58M21	ARO TÓRICO	O-RING	O-RING	1
6	97095-06020		TORNILLO	BOLT	VITE	1
7	92995-06600	PAGB/T5783-2000	ARANDELA	WASHER	RONDELLA	1
8	6H4-11400-14		CIGÜEÑAL	CRANKSHAFT ASSY	ALBERO MOTORE	1
9	6H4-11536-00		PIÑÓN	GEAR, DRIVE	INGRANAGGIO	1
10	93306-305U8	REC93306-305U8	RODAMINETO	BEARING	CUSCINETTO	2
11	93440-62057		CIERRE	CIRCLIP	CLIP CHIUSURA	2
12	90201-50306		ARANDELA	WASHER	RONDELLA	1
13	6H4-11631-01-95	REC6H4-11631-01K	PISTÓN	PISTON (STD)	PISTONE	3
	6H4-11635-01	REC6H4-11635-01K	PISTÓN	PISTON (0.25mm O/S)	PISTONE	3
	6H4-11636-01	REC6H4-11636-01K	PISTÓN	PISTON (0.50mm O/S)	PISTONE	3
14	63D-11603-00	REC63D-11603-00	SEGMENTOS	PISTON RING SET (STD)	SET FASCE	3
	63D-11604-00	REC63D-11604-00	SEGMENTOS	PISTON RING SET (0.25mm O/S)	SET FASCE	3
	63D-11605-00	REC63D-11605-00	SEGMENTOS	PISTON RING SET (0.50mm O/S)	SET FASCE	3
15	648-11633-00	REC648-11633-00	BULÓN	PIN, PISTON	SPINOTTO	3
16	93602-20M02	REC93602-20M02	AGUJA RODAMIENTO	PIN, DOWEL	SPINOTTO DI CENTRAGGIO	93
17	6H4-11641-00		ARANDELA	WASHER, PISTON PIN	RONDELLA	6
18	6H4-11634-01	REC6H4-11634-01	CLIP PISTON	CLIP, PISTON PIN	CLIP PISTON	6



Ref.	R.O.
REC697-W0001-02	697-W0001-02

Kit juntas de motor
 Power head gasket kit
 Kit guarnizione motore

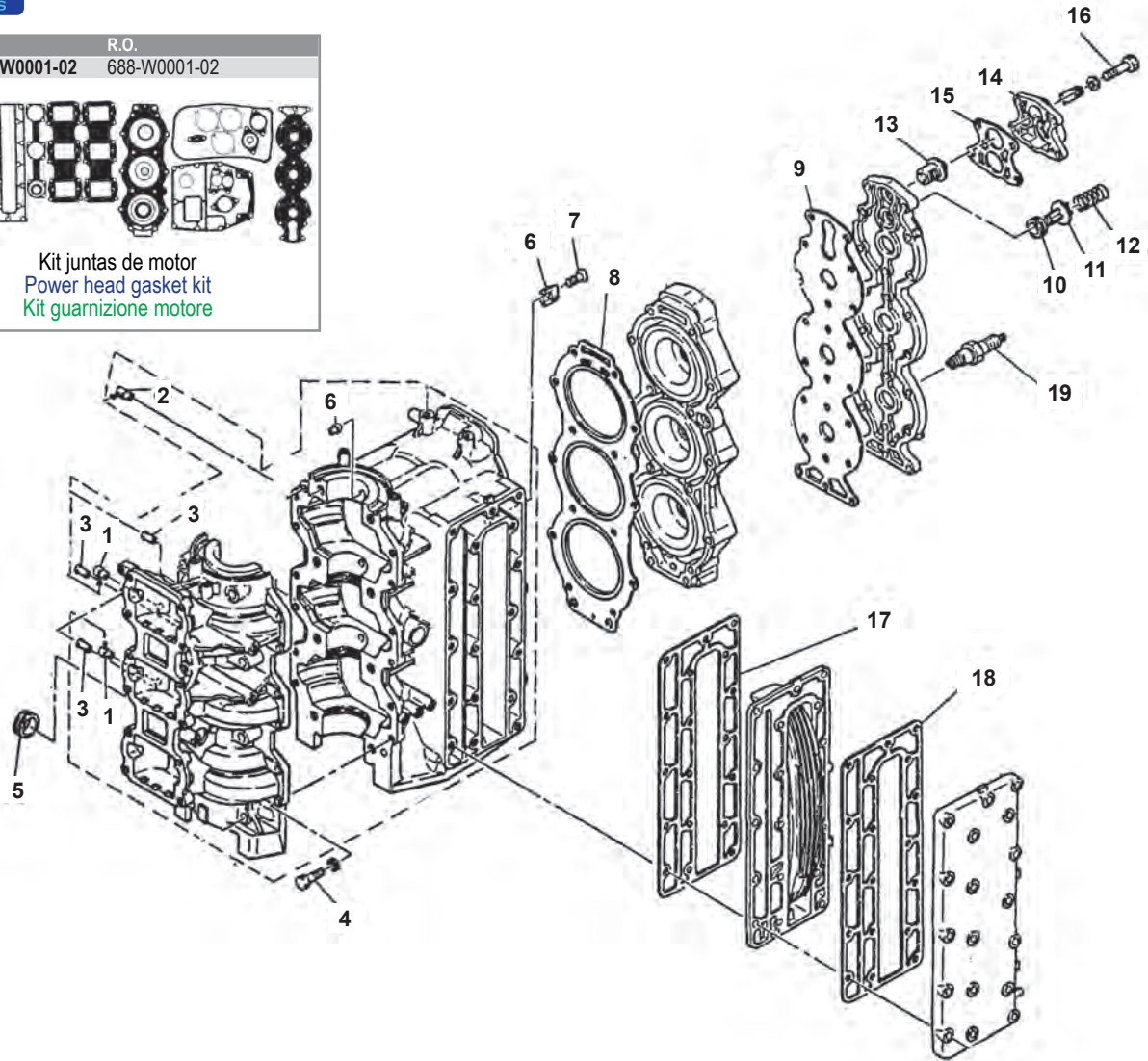
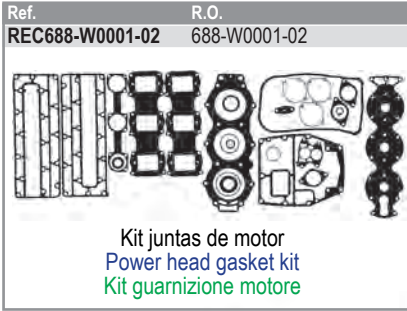
Nº	R.O. OEM	Ref.	Descripción	Description	Descrizione	Cantidad Qty Quantità
3	650-11370-01	REC650-11370-00	VÁLVULA DE CONTROL COMPL.	CHECK VALVE ASSY	VALVOLA DI CONTROLLO COMPL.	2
4	624-14485-00		PIPE JOINT	TUBO DE UNIÓN	GIUNTO PER TUBO	1
5	93604-08062		PASADOR DE CLAVIJA	PIN DOWEL	PERNO PASSANTE	1
6	663-11518-01		SEGURO BALERO	LOCK, BEARING	BLOCCO CUSCINETTO	2
7	93608-12063		PASADOR DE CLAVIJA	PIN DOWEL	PERNO PASSANTE	1
8	90119-06M12		TORNILLO CON ARANDELA	BOLT WITH WASHER	VITE CON RONDELLA	8
9	90119-10005		TORNILLO CON ARANDELA	BOLT WITH WASHER	VITE CON RONDELLA	4
10	90201-10008		ARANDELA PLANA	WASHER PLATE	RONDELLA PIANA	2
11	95313-10600		TUERCA	NUT	DADO	2
12	90445-07240		TUBO (L330)	HOSE (L330)	TUBO (L330)	2
13	90467-06016		PRESILLA	CLIP	CLIP	4
14	90461-04011		GRAPA	CLAMP	MORSETTO	1
15	663-15359-01-94		CAJA DE SELLLO DE ACEITE	HOUSING OIL SEAL	PARAOILIO	1
16	93104-18049	REC93104-18049	SELLO ACEITE	OIL SEAL	PARAOILIO	1
17	93102-28135	REC93102-28135	RETÉN ACEITE	OIL SEAL	GUARNIZIONE OLIO	1
18	93210-62269	REC93210-62269	JUNTA TÓRICA	O-RING	O-RING	1
19	97095-06016		PERNO	BOLT	PERNO	3
20	92995-06600		ARANDELA	WASHER	RONDELLA	3
21	90116-10177		ESPÁRRAGO	BOLT, STUD	BULLONE	2
22	663-11325-00	CM663-11325-00	ÁNODO	ANODE	ANODO	1
23	98780-04015		TORNILLO CABEZA PLANA	SCREW, FLAT HEAD	VITE TESTA PIANA	2
24	697-11119-00		SOPORTE DEL MOTOR	HANGER, ENGINE	SUPPORTO MOTORE	1
25	90119-08018		TORNILLO CON ARANDELA	BOLT, WITH WASHER	VITE CON RONDELLA	1
26	663-11111-02-1S		CULATA CILINDRO	HEAD CYLINDER	TESTATA CILINDRO	1
27	697-11181-A2	REC697-11181-A0	JUNTA DE CULATA	GASKET, CYLINDER HEAD	GUARNIZIONE TESTATA	1
28	90119-08MA8		TORNILLO CON ARANDELA	BOLT, WITH WASHER	VITE CON RONDELLA	10
29	663-11191-00-1S		TAPA CULATA DE CILINDRO	COVER CYLINDER HEAD	COPERCHIO TESTATA CILINDRO	1
30	663-11193-A0	REC663-11193-00	JUNTA	GASKET HEAD COVER	GUARNIZIONE	1
31	90119-06MA2		TORNILLO CON ARANDELA	BOLT, WITH WASHER	VITE CON RONDELLA	12
32	90430-14115	REC90430-14115	JUNTA	GASKET	GUARNIZIONE	1
33	90340-14036		TORNILLO DE DRENAJE	PLUG STRAGIHT SCREW	VITE DRENAGGIO	1
34	663-12416-00		VÁLVULA DE CONTROL DE PRESIÓN	VALVE, PRESSURE CONTROL	VALVOLA DI CONTROLLO PRESSIONE	1
35	90501-14234		RESORTE DE COMPRESIÓN	SPRING, COMPRESSION	MOLLA DI COMPRESIONE	1
36	90480-18065		TAPÓN	GROMMET	TAPPO	1
37	6F5-12411-02	GLM13010	TERMOSTATO	THERMOSTAT (55E ENGINES)	TERMOSTATO	1
38	663-12416-00-1S		CUBIERTA DE TERMOSTATO	COVER, THERMOSTAT	COPERCHIO TERMOSTATO	1
39	663-12414-A0	REC663-12414-00	JUNTA	GASKET, COVER	GUARNIZIONE	1
40	90119-06MA4		TORNILLO CON ARANDELA	BOLT WITH WASHER	VITE CON RONDELLA	4
41	663-41113-00-1S		CUBIERTA EXTERIOR DE ESCAPE	OUTTER COVER EXHAUST	COPERCHIO ESTERNO DI SCARICO	1
42	663-41114-A0	REC663-41114-00	JUNTA	GASKET, EXHAUST OUTTER COVER	GUARNIZIONE COPERCHIO SCARICO	1
43	90119-06MA2		TORNILLO CON ARANDELA	BOLT, WITH WASHER	VITE CON RONDELLA	9
44	650-24378-00		TUBO DE UNIÓN	PIPE, JOINT	GIUNTO PER TUBO	1
45	663-24312-01		TUBO	PIPE	TUBO	1
46	90467-08004		PRESILLA	CLIP	CLIP	2
47	663-11411-01	REC663-11411-00	CIGÜEÑAL	CRANKSHAFT	ALBERO MOTORE	1
48	93311-632U1	REC93311-632U1	COJINETE DE RODILLOS	BEARING	CUSCINETTO A RULLI	1
49	93102-32M07	REC93102-32M07	RETÉN DE ACEITE	OIL SEAL	PARAOILIO	1
50	93210-42159	REC93210-42159	JUNTA TÓRICA	O-RING	O-RING	1
51	93311-832U4	REC93311-832U4	COJINETE DE RODILLOS	BEARING	CUSCINETTO A RULLI	1
52	93306-206U4		COJINETE	BEARING	CUSCINETTO	1
53	663-11561-00	REC663-11561-00	ARANDELA DE MANIVELA	SHIM, CRANK	SPESSORE	1
54	688-11631-03-94	REC688-11631-03K	PISTÓN (NORMA)	PISTON (STD)	PISTONE (STD)	2
	688-11635-03	REC688-11635-03K	PISTÓN (0.25mm O/S)	PISTON (0.25mm O/S)	PISTONE (0.25mm O/S)	2
	688-11636-03	REC688-11636-03K	PISTÓN (0.50mm O/S)	PISTON (0.50mm O/S)	PISTONE (0.50mm O/S)	2
55	688-11603-A0	REC688-11603-A0	JUEGO DE ANILLOS (NORMA)	PISTON RING SET (STD)	SET FASCE PISTONI (STD)	2
	688-11604-A0	REC688-11604-A0	PISTÓN (0.25mm O/S)	PISTON (0.25mm O/S)	PISTONE (0.25mm O/S)	2
	688-11605-A0	REC688-11605-A0	PISTÓN (0.50mm O/S)	PISTON (0.50mm O/S)	PISTONE (0.50mm O/S)	2
56	663-11633-00	REC663-11633-00	PASADOR PISTÓN	PIN PISTON	SPINOTTO PISTONE	2
57	688-11634-00	REC688-11634-00	PRESILLA BULÓN DE PISTÓN	CLIP	FERMO SPINOTTO	4
58	688-11650-03	REC688-11650-03	BIELA COMPLETA	CONNECTING ROD ASSY	BIELLA COMPLETA	2
59	90109-08022	REC90109-08022	PERNO	BOLT	PERNO	2
60	93603-21111	REC93603-21111	PASADOR DE CLAVIJA	PIN DOWEL	PERNO PASSANTE	56
61	93310-730V8	REC93310-730V8	COJINETE DE RODILLOS	BEARING	CUSCINETTO A RULLI	2
62	90201-20417	REC90201-20417	ARANDELA PLANA	WASHER	RONDELLA PIANA	4
63	94702-00160	NGKB8HS-10	BUJÍA	PLUG, SPARK (55E ENGINES)	CANDELA	2
	94702-00040	NGKB7HS	BUJÍA	PLUG, SPARK (E48C ENGINES)	CANDELA	2
	94702-00041	NGKB8HS	BUJÍA	PLUG, SPARK (E55C ENGINES)	CANDELA	2
697-W0001-02	REC697-W0001-02		KIT JUEGO JUNTAS MOTOR	POWER HEAD GASKET	KIT GUARNIZIONI MOTORE	1



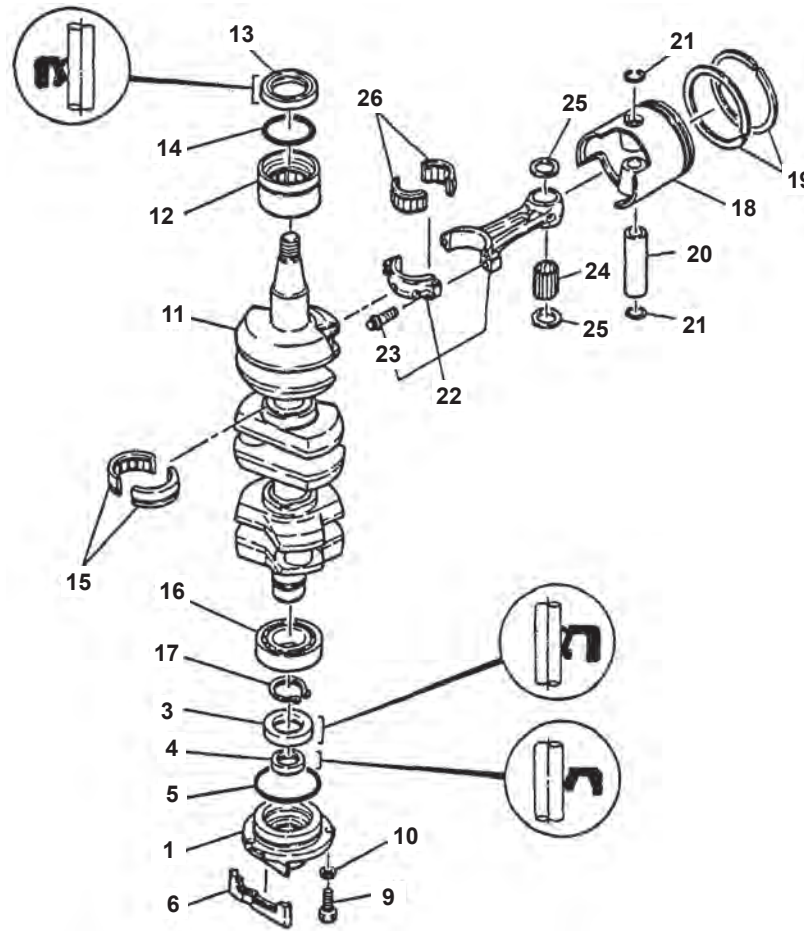
Ref.	R.O.
REC6H3-W0001-02	6H3-W000-02

Kit juntas de motor
Power head gasket kit
Kit guarnizione motore

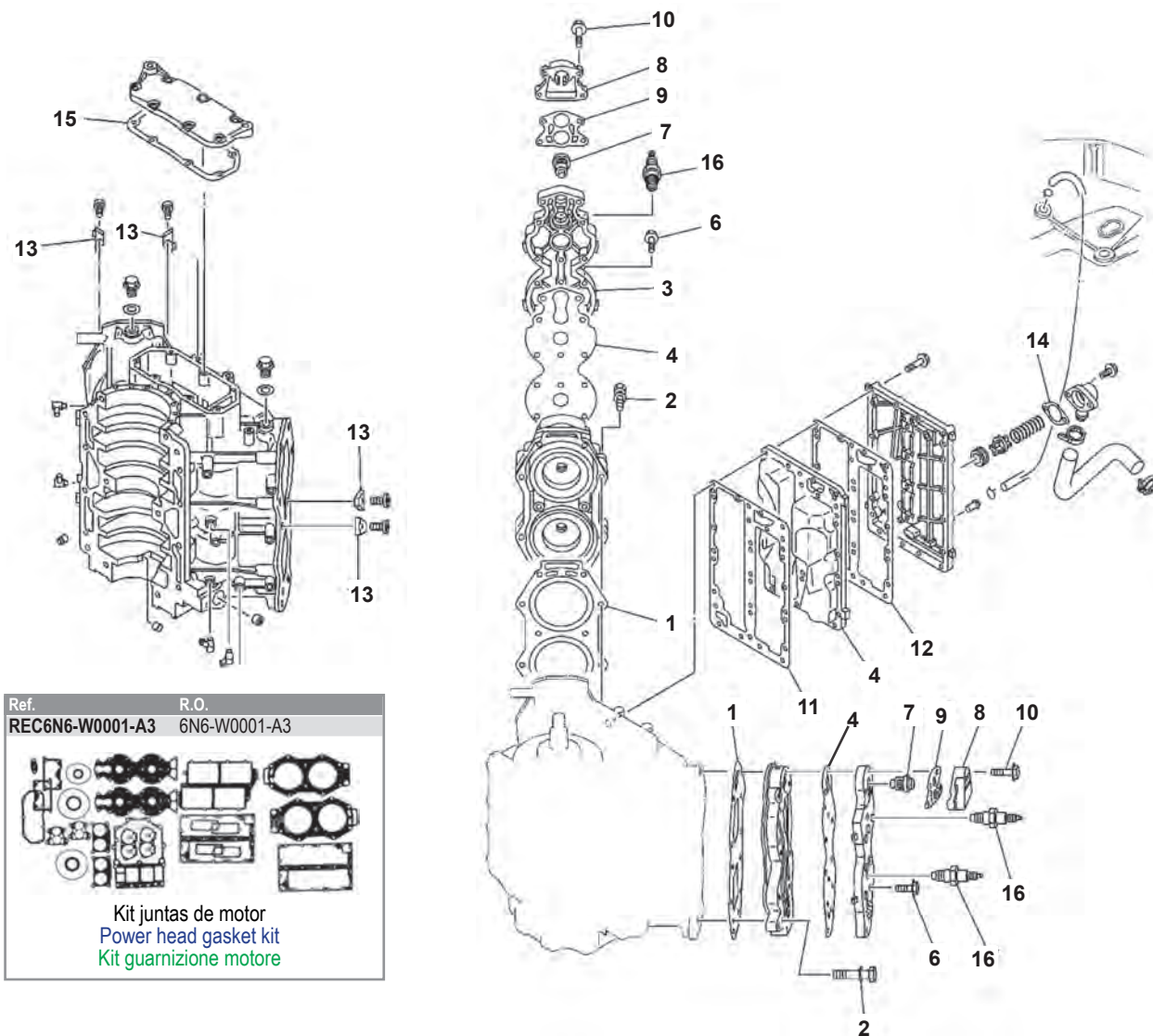
Nº	R.O. OEM	Ref.	Descripción	Description	Descrizione	Cantidad Qty Quantità
3	688-11370-01	REC688-11370-00	VÁLVULA	CHECK VALVE ASSY	VALVOLA	2
4	650-11370-01	REC650-11370-00	VÁLVULA	CHECK VALVE ASSY	VALVOLA	3
5	624-14485-00		TUBO	PIPE JOINT	GIUNTO PER TUBO	5
6	650-24378-00		TUBO	PIPE JOINT	GIUNTO PER TUBO	4
7	93608-12063		PIN	DOWEL	SPINOTTO CENTRAGGIO	2
8	90119-10005		TORNILLO	BOLT WITH WASHER	VITE	8
9	90119-08M64		TORNILLO	BOLT WITH WASHER	VITE	6
10	90445-07M44		TUBO	HOSE (L250)	TUBO	1
11	90467-06016		CLIP	NUT	CLIP	2
12	90445-07M02	REC90445-07MA3	TUBO	HOSE (L167)	TUBO	2
13	90445-07M45		TUBO	HOSE (L340)	TUBO	1
14	90445-07M82		TUBO	HOSE (L440)	TUBO	1
15	90467-06016		CLIP	HOUSING OIL SEAL	CLIP	8
16	90464-07M05	PAF25-05000016	ABRAZADERA	CLAMP	FASCETTA	1
17	6H3-11325-01	CM6H3-11325-01	ÁNODO	ANODE	ANODO	2
18	6H3-11327-00-1S		TAPA	COVER, ANODE	COPERCHIO ANODO	2
19	6H3-11328-00		JUNTA	GROMMET ANODE	GUARNIZIONE ANODO	2
20	90119-06023		TORNILLO	BOLT WITH WASHER	VITE	2
21	688-11119-01		TIRANTE	HANGER ENGINE	TIRANTE	1
22	90101-08022		TORNILLO	BOLT	VITE	2
23	90340-14M00	PAF15-04000002	TAPÓN	PLUG STRAIGHT SCREW	TAPPO	1
24	90430-14115	REC90430-14115	JUNTA	GASKET	GUARNIZIONE	1
25	6H3-11111-01-1S		CULATA	HEAD CYLINDER 1	TESTATA	1
26	6H3-11181-A2	REC6H3-11181-A0	JUNTA CULATA	GASKET, HEAD	GUARNIZIONE TESTATA	1
27	6H3-11191-00-1S		CULATÍN	COVER, CYLINDER	COPERCHIO CILINDRO	1
28	6H3-11193-A1	REC6H3-11193-A1	JUNTA CULATÍN	GASKET, COVER	GUARNIZIONE COPERCHIO	1
29	90119-08MA5		TORNILLO	BOLT WITH WASHER	VITE	13
30	90116-08M69		TORNILLO	BOLT STUD	VITE	1
31	90179-08M34		TUERCA	NUT	DADO	1
32	6H3-12411-10	REC6H3-12411-10	TERMOSTATO	THERMOSTAT	TERMOSTATO	1
33	6H3-12413-00-1S		TAPA	COVER, THERMOSTAT	COPERCHIO TERMOSTATO	1
34	6H3-12414-A1	REC6H3-12414-A1	JUNTA	GASKET COVER	GUARNIZIONE	1
35	90119-065MA3		TORNILLO	BOLT WITH WASHER	VITE	2
36	6H3-41111-01-1S		PLACA	INNER COVER, EXHAUST	PIASTRA	1
37	6H3-41112-A0	REC6H3-41112-A0	JUNTA	GASKET, EXHAUST COVER	GUARNIZIONE COPERCHIO	1
38	6H3-41113-02-1S		TAPA	OUTTER COVER, EXHAUST	COPERCHIO SCARICO	1
39	6H3-41114-A0	REC6H3-41114-A0	JUNTA	GASKET, OUTTER COVER	GUARNIZIONE	1
40	90119-06MA5		TORNILLO	BOLT WITH WASHER	VITE	16
41	663-24312-01		TUBO	PIPE 2	TUBO	1
42	90467-08004		CLIP	HOUSING OIL SEAL	CLIP	1
43	94702-00247	NGKBR8HS-10	BUJÍA	PLUG, SPARK	CANDELA	3
44	6H3-15359-00-94		CUERPO RETÉN	HOUSING OIL SEAL	PARAOLIO	1
45	93102-30M23	REC93102-30M23	RETÉN	OIL SEAL	PARAOLIO	1
46	93106-18M01	REC93106-18M01	RETÉN	OIL SEAL	PARAOLIO	1
47	93210-65M50	REC93210-65M50	ARO TÓRICO	O-RING	O-RING	1
48	97095-06020		TORNILLO	BOLT	VITE	3
49	92995-06600	PAGB/T97.1-85	ARANDELA	WASHER	RONDELLA	3
50	6H3-11400-10-11		CIGÜEÑAL	CRANKSHAFT ASSY	ALBERO MOTORE	1
	6H3-11400-03		CIGÜEÑAL	CRANKSHAFT ASSY (60FET ENGINE)	ALBERO MOTORE	1
51	93311-636U6	REC93311-636U6	RODAMIENTO	BEARING	CUSCINETTO	1
52	93102-36M24	REC93102-36M24	RETÉN	OIL SEAL	PARAOLIO	1
53	93440-49M04	REC93440-49M04	CIERRE	CIRCLIP	CLIP CHIUSURA	1
54	93306-306V1	REC93306-306V1	RODAMIENTO	BEARING	CUSCINETTO	1
56	93210-46M16	REC93210-46M16	ARO TÓRICO	O-RING	O-RING	1
57	6H3-11631-01-96	REC6H3-11631-01K	PISTÓN (STD)	PISTON	PISTONE (STD)	3
	6H3-11635-01	REC6H3-11635-01K	PISTÓN (0.25mm O/S)	PISTON (0.25mm O/S)	PISTONE (0.25mm O/S)	3
	6H3-11636-01	REC6H3-11636-01K	PISTÓN (0.50mm O/S)	PISTON (0.50mm O/S)	PISTONE (0.50mm O/S)	3
58	6K5-11601-02	REC6K5-11601-02	SEGMENTOS	PISTON RING SET (STD)	SET FASCE	3
	6K5-11601-12	REC6H3-11601-12	SEGMENTOS	RING SET (0.25mm O/S)	SET FASCE	3
	6K5-11601-22	REC6H3-11601-22	SEGMENTOS	RING SET (0.50mm O/S)	SET FASCE	3
59	6H3-11633-00	REC6H3-11633-00	BULÓN	PIN, PISTON	SPINOTTO	3
60	688-11634-10	REC688-11634-00	CLIP	PISTON PIN	CLIP	6
61	93603-18M09	REC93603-18M09	PIN	DOWEL	SPINOTTO	84
62	90201-20417	REC90201-20417	ARANDELA	WASHER, PLATE	RONDELLA	6



Nº	R.O. OEM	Ref.	Descripción	Description	Descrizione	Cantidad Quantity Quantità
1	688-11370-01	REC688-11370-01	VÁLVULA	CHECK VALVE ASSY	VALVOLA	2
2	650-11370-01	REC650-11370-00	VÁLVULA	CHECK VALVE ASSY	VALVOLA	1
3	624-14485-00		TUBO	PIPE JOINT	TUBO	4
5	93608-12063		PIN	DOWEL	SPINOTTO CENTRAGGIO	2
5	90480-24M04		JUNTA GOMA	GROMMET	GUARNIZIONE GOMMINO	1
6	688-11325-00	CM688-11325-00	ÁNODO	ANODE	ANODO	2
7	98780-04015		TORNILLO	SCREW, FLAT HEAD	VITE	2
8	688-11181-A1	REC688-11181-A1	JUNTA CULATA	GASKET, CYLINDER HEAD	GUARNIZIONE TESTATA	1
9	688-11193-A1	REC688-11193-A1	JUNTA CULATA	GASKET, HEAD COVER	GUARNIZIONE COPERCHIO TESTATA	1
10	90480-20M05		JUNTA GOMA	GROMMET	GUARNIZIONE GOMMA	1
11	688-12416-00		VÁLVULA	VALVE, PRESSURE CONTROL	VALVOLA	1
12	90501-16M11		MUELLE	SPRING, COMPRESSION	MOLLA	1
13	688-12411-10	REC688-12411-10	TERMOSTATO	THERMOSTAT	TERMOSTATO	1
14	688-12413-00-1S		TAPA	COVER, THERMOSTAT	COPERCHIO	1
15	688-12414-A1	REC688-12414-A1	JUNTA TAPA	GASKET, COVER	GUARNIZIONE COPERCHIO	1
16	90119-06MA5		TORNILLO	BOLT, WITH WASHER	VITE	4
17	688-41112-A0	REC688-41112-A0	JUNTA	GASKET, EXHAUST INNER COVER	GUARNIZIONE	1
18	688-41114-A0	REC688-41114-A0	JUNTA	GASKET, EXHAUST OUTER COVER	GUARNIZIONE	1
19	NGK-B8HS10-PK10	NGKB8HS-10	BUJÍA	PLUG, SPARK (NGK B8HS-10)	CANDELA	3



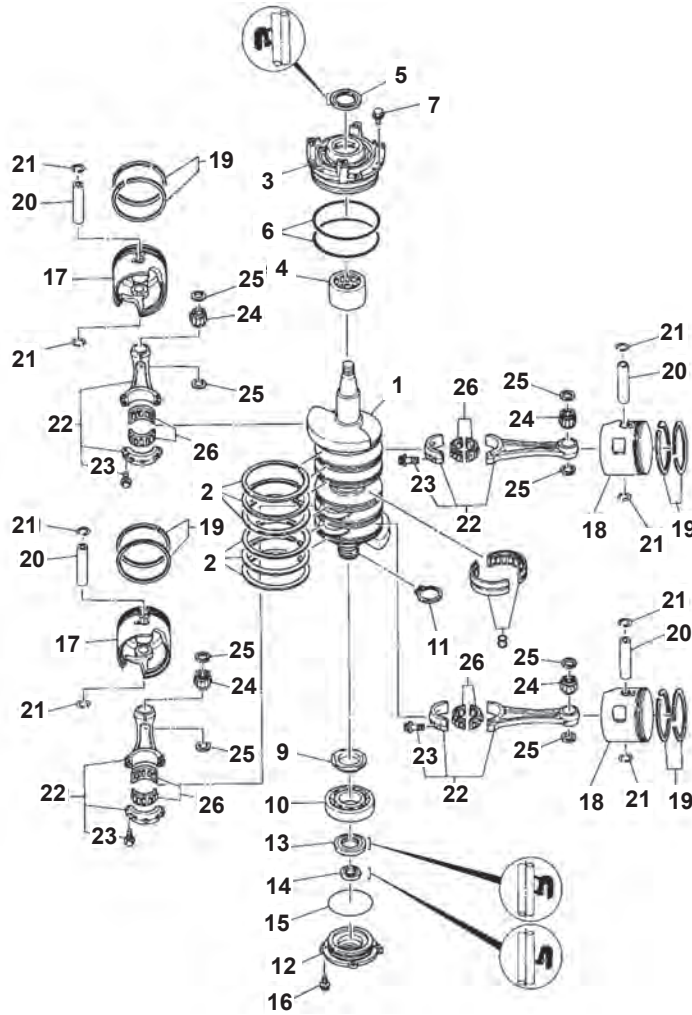
Nº	R.O. OEM	Ref.	Descripción	Description	Descrizione	Cantidad Qty Quantità
1	6H1-15359-01-94		CUERPO RETÉN	HOUSING, OIL SEAL	ALLOGGIAMENTO PARAOLIO	1
2	688-11370-01	REC688-11370-00	VÁLVULA	CHECK VALVE ASSY	VALVOLA	1
3	93102-30M05	REC93102-30M05	RETÉN	OIL SEAL	PARAOLIO	1
4	93104-20M02	REC93104-20M02	RETÉN	OIL SEAL	PARAOLIO	1
5	93210-62269	REC93210-62269	ARO TÓRICO	O - RING	O-RING	1
11	688-11411-01	REC688-11411-00	CIGÜEÑAL	CRANKSHAFT	ALBERO MOTORE	1
12	93310-636U4	REC93310-636U4	RODAMIENTO	BEARING	CUSCINETTO	1
13	93102-36M02	REC93102-36M02	RETÉN	OIL SEAL	PARAOLIO	1
14	93210-46M16	REC93210-46M16	ARO TÓRICO	O -RING	O-RING	1
15	93310-835U8	REC93310-835U8	RODAMIENTO	BEARING	CUSCINETTO	2
16	93306-206U5	REC93306-206U5	RODAMIENTO	BEARING	CUSCINETTO	1
18	688-11631-03-94	REC688-11631-03K	PISTÓN (STD)	PISTON (STD)	PISTONE	3
19	688-11603-A0	REC688-11603-A0	SEGMENTOS	PISTON RING TEST (STD)	SET FASCE	3
	688-11604-A0	REC688-11604-A0	SEGMENTOS	RING SET (0.25mm O/S)	SET FASCE	3
	688-11605-A0	REC688-11605-A0	SEGMENTOS	RING SET (0.50mm O/S)	SET FASCE	3
20	663-11633-00	REC663-11633-00	BULÓN	PIN PISTON	SPINOTTO	3
21	688-11634-00	REC688-11634-00	CLIP	CLIP PISTON PIN	FERMO SPINOTTO	6
22	688-11650-03	REC688-11650-03	BIELA	CONNECTING ROD ASSY	BIELLA	3
23	90109-08022	REC90109-08022	TORNILLO	BOLT	VITE	2
24	93603-21111	REC93603-21111	AGUJAS RODAMIENTO	PIN, DOWEL	SPINOTTO DI CENTRAGGIO	84
25	90201-20417	REC90201-20417	ARANDELA	WASHER, PLATE	RONDELLA	6
26	93310-730V8	REC93310-730V8	RODAMIENTO	BEARING	CUSCINETTO	3



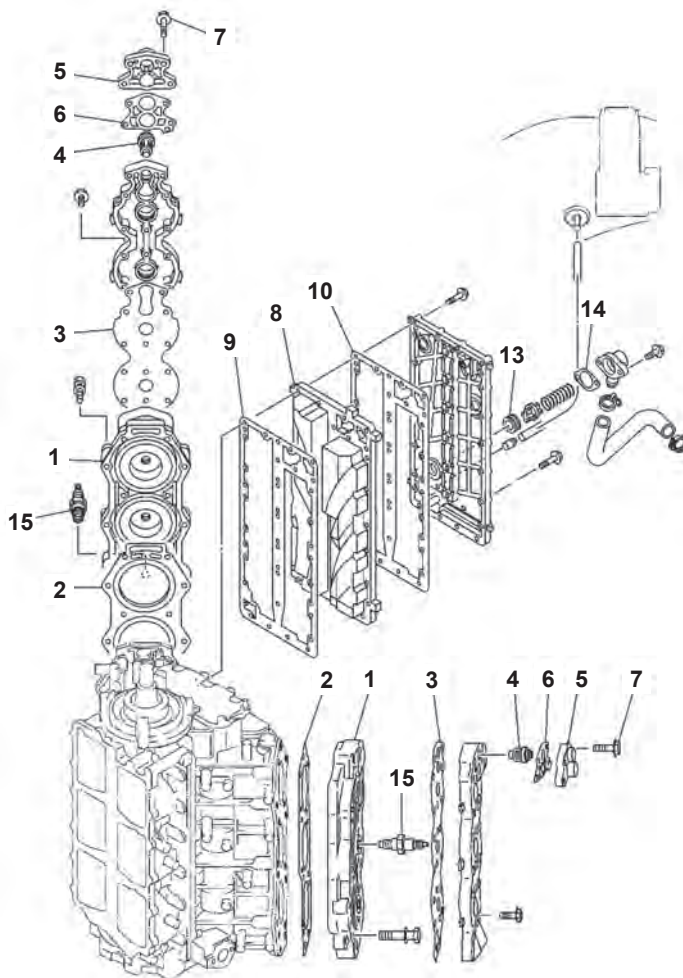
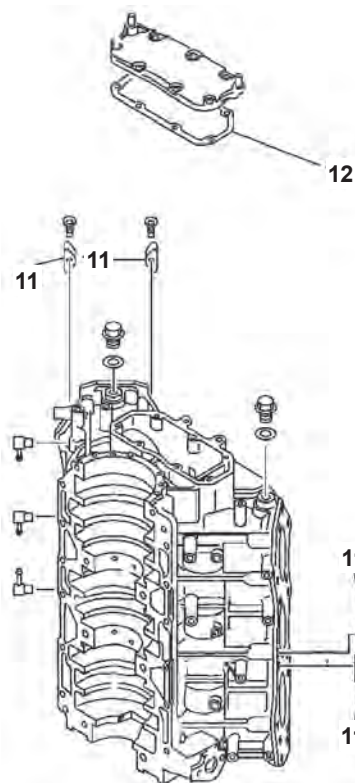
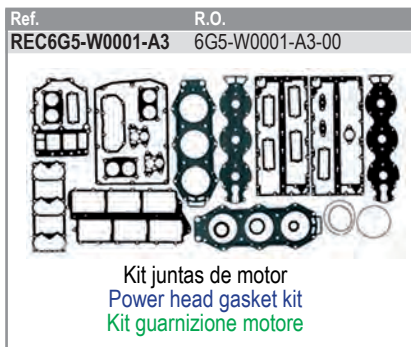
Ref.	R.O.
REC6N6-W0001-A3	6N6-W0001-A3

Kit juntas de motor
Power head gasket kit
Kit guarnizione motore

Nº	R.O. OEM	Ref.	Descripción	Description	Descrizione	Cantidad Qty Quantità
1	6E5-11181-A2	REC6E5-11181-A0	JUNTA CULATA	GASKET, CYLINDER HEAD	GUARNIZIONE TESTATA	2
2	90119-08MA8		TORNILLO	BOLT, WITH WASHER	VITE	20
3	6E5-11191-01-1S		CULATÍN	COVER, CYLINDR HEAD	COPERCHIO TESTA CILINDRO	2
4	6E5-11193-A0	REC6E5-11193-A0	JUNTA CULATÍN	GASKET, HEAD COVER	GUARN. COPERCHIO TESTA	2
6	90119-06MA4		TORNILLO	BOLT, WITH WASHER	VITE	24
7	REC6E5-12411-30	REC6E5-12411-30	TERMOSTATO	THERMOSTAT	TERMOSTATO	2
8	6G5-12413-00-1S		TAPA	COVER, THERMOSTAT	COPERCHIO TERMOSTATO	2
9	688-12414-A1	REC688-12414-00	JUNTA	GASKET COVER	GUARNIZIONE	2
10	90119-06MA6		TORNILLO	BOLT WITH WASHER	VITE	8
11	6E5-41112-A1	REC6E5-41112-A1	JUNTA	GASKET, EXHAUST INNER COVER	GUARNIZIONE	1
12	6E5-41112-A1	REC6E5-41112-A1	JUNTA	GASKET, EXAHUST INNER COVER	GUARNIZIONE	1
13	6E5-11325-00	TEN01152	ÁNODO	ANODE	ANODO	4
14	6G5-11382-A1	REC6G5-11382-A1	JUNTA	GASKET	GUARNIZIONE	1
15	6E5-11381-A2	REC6E5-11381-00	JUNTA	GASKET	GUARNIZIONE	1
16	94702-00247	NGKBR8HS-10	BUJÍA	PLUG, SPARK (NGK BR8HS-10) (115C ENGINES)	CANDELA	4
	94702-00309	NGKBR9HS-10	BUJÍA	PLUG, SPARK (NGK BR9HS-10) (130B ENGINES)	CANDELA	4

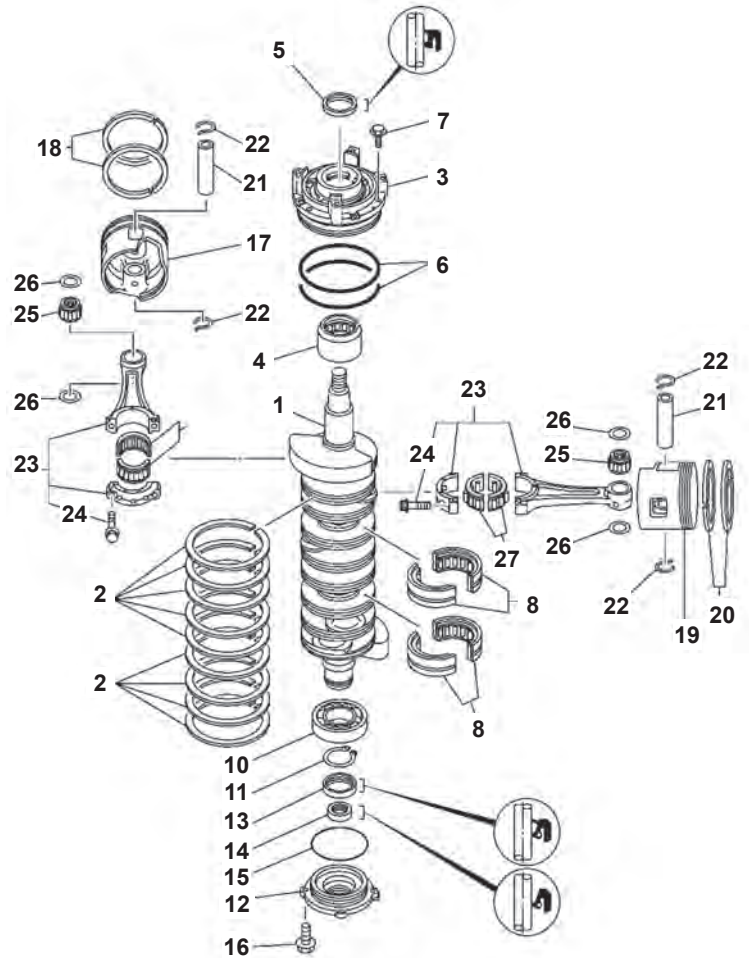


Nº	R.O. OEM	Ref.	Descripción	Description	Descrizione	Cantidad Quantity Quantità
1	6N7-11411-00	REC6N7-11411-00	CIGÜEÑAL	CRANKSHAFT	ALBERO MOTORE	1
2	6E5-11447-00	REC6E5-11447-00	ARO	SEAL, CRANK	O-RING	6
4	93311-940U3	REC93311-940U3	RODAMIENTO	BEARING	CUSCINETTO	1
5	93102-40M14	REC93102-40M14	RETÉN	OIL SEAL	PARAOILIO	1
6	93211-04001	REC93211-04001	ARO TÓRICO	O-RING	O-RING	2
8	93310-954U1	REC93310-954U1	RODAMIENTO	BEARING	CUSCINETTO	1
10	93306-208U0	REC93306-208U0	RODAMIENTO	BEARING	CUSCINETTO	1
13	93102-35M13	REC93102-35M13	RETÉN	OIL SEAL	PARAOILIO	1
14	93101-22M15	REC93101-22M15	RETÉN	OIL SEAL	PARAOILIO	1
15	93210-74M35	REC93210-74M35	ARO TÓRICO	O-RING	O-RING	1
17	6R5-11361-11-93	REC6R5-11631-11K	PISTÓN	PISTON (STD)	PISTONE (STD)	2
	6R5-11635-11	GLM24730	PISTÓN	PISTON (0.25mm O/S)	PISTONE	2
	6R5-11636-11	GLM24750	PISTÓN	PISTON (0.50mm O/S)	PISTONE	2
18	6R5-11642-11-93	REC6R5-11642-11K	PISTÓN	PISTON 2(STD)	PISTONE	2
	6R5-11645-11	GLM24720	PISTÓN	PISTON 2 (0.25mm O/S)	PISTONE	2
	6R5-11646-11	GLM24740	PISTÓN	PISTON 2 (0.50mm O/S)	PISTONE	2
19	64D-11603-01	REC64D-11603-01	SEGMENTOS	PISTON RING SET (STD)	SET FASCE	4
	64D-11604-01	REC64D-11604-01	SEGMENTOS	PISTON RING SET (0.25mm O/S)	SET FASCE	4
	64D-11605-01	REC64D-11605-01	SEGMENTOS	PISTON RING SET (0.50mm O/S)	SET FASCE	4
20	6R5-11633-10	REC6R5-11633-00	BULÓN	PIN, PISTON	SPINOTTO	4
21	6R5-11634-10	REC6R5-11634-00	CLIP BULÓN	CLIP, PISTON PIN	FERMO SPINOTTO	8
22	6R5-11650-10	REC6R5-11650-10	BIELA	CONNECTING ROD ASSY	BIELLA	4
23	90109-08M71	REC90109-08M71	TORNILLO	BOLT	VITE	2
24	93310-323V6	REC93310-323V6	RODAMIENTO	BEARING	CUSCINETTO	4
25	90201-23M01	REC90201-23M01	ARANDELA	WASHER, PLATE	RONDELLA	8
26	93310-836V2	REC93310-836V2	RODAMINETO	BEARING	CUSCINETTO	4



Nº	R.O. OEM	Ref.	Descripción	Description	Descrizione	Cantidad Quanty Quantità
1	6G5-11111-04-1S 64E-11111-00-1S		CULATA	HEAD CYLINDER	TESTA	2
2	6G5-11181-A3	REC6G5-11181-A2	JUNTA CULATA	GASKET, CYLINDER HEAD 2	GUARNIZIONE TESTA CILINDRO	2
3	6G5-11193-A0	REC6G5-11193-A0	JUNTA TAPA	GASKET, HEAD COVER	GUARNIZIONE COPERCHIO TESTA	2
4	6E5-12411-30	REC6E5-12411-30	TERMOSTATO	THERMOSTAT	TERMOSTATO	2
5	688-12413-00-1S		TAPA	COVER, THERMOSTAT	COPERCHIO	2
6	688-12414-A1	REC688-12414-00	JUNTA TAPA	GASKET COVER	GUARNIZIONE COPERCHIO	2
7	90119-06MA6		TORNILLO	BOLT, WITH WASHER	VITE	8
8	64D-41111-00-1S		TAPA	INNER COVER, EXHAUST	COPERCHIO	1
9	6G5-41112-A1	REC6G5-41112-A1	JUNTA	GASKET, EXHAUST INNER COVER	GUARNIZIONE	1
10	6G5-41114-A0	REC6G5-41114-A0	JUNTA	GASKET, EXHAUST OUTER COVER	GUARNIZIONE	1
11	6E5-11325-00	CM6E5-11325-00	ÁNODO	ANODE	ANODO	8
12	6E5-11381-A2	REC6E5-11381-00	JUNTA	GASKET	GUARNIZIONE	1
13	90480-20M05		JUNTA GOMA	GROMMET	GUARNIZIONE GOMMA	1
14	6G5-11382-A1	REC6G5-11382-A1	JUNTA	GASKET	GUARNIZIONE	1
15	94702-00271	NGKBR8HS-10	BUJÍA	PLUG, SPARK (NGK BR8HS-10)	CANDELA	6

150AET - 150F/FETO - 150L/SL150 - 150TR/150TXRA - D150H
 175D/DETO - S175 -L175 - 175D/DETO - S175 -L175
 200AET - 200G/GETO - 200F/FETO - L200 - 200TLR
 225D/DET/DETO - L225A - L225B



Nº	R.O. OEM	Ref.	Descripción	Description	Descrizione	Cantidad Quantity Quantità
1	6G5-11411-02	REC6G5-11411-02	CIGÜEÑAL	CRANKSHAFT	ALBERO MOTORE	1
2	6E5-11447-00	REC6E5-11447-00	ARILLO	SEAL, CRANK	O-RING	9
4	93311-940U3	REC93311-940U3	RODAMIENTO	BEARING	CUSCINETTO	1
5	93102-40M14	REC93102-40M14	RETÉN	OIL SEAL	PARAOLIO	1
6	93211-04001	REC93211-04001	ARO TÓRICO	O-RING	O-RING	2
8	93310-954U1	REC93310-954U1	RODAMIENTO	BEARING	CUSCINETTO	2
10	93306-208U0	REC93306-208U0	RODAMIENTO	BEARING	CUSCINETTO	1
13	93102-35M13	REC93102-35M13	RETÉN	OIL SEAL	PARAOLIO	1
14	93101-22M15	REC93101-22M15	RETÉN	OIL SEAL	PARAOLIO	1
15	93210-74M35	REC93210-74M35	ARO TÓRICO	O-RING	O-RING	1
17	64D-11631-02-90	REC64D-11631-00K	PISTON (STD)	PISTON (STD)	PISTONE	3
18	64D-11603-02	REC64D-11603-01	SEGMENTOS	RING SET (STD)	SET FASCE	3
	64D-11604-02	REC64D-11604-01	SEGMENTOS	RING SET (0.250/S)	SET FASCE	3
	64D-11605-02	REC64D-11605-01	SEGMENTOS	RING SET (0.500/S)	SET FASCE	3
19	64D-11642-02-90	REC64D-11642-00K	PISTON 2 (STD)	PISTON 2 (0.25mm O/S)	PISTONE	3
20	64D-11603-02	REC64D-11603-01	SEGMENTOS	PISTON RING SET (STD)	SET FASCE	3
	64D-11604-02	REC64D-11604-01	SEGMENTOS	PISTON RING SET (0.25mm O/S)	SET FASCE	3
	64D-11605-02	REC64D-11605-01	SEGMENTOS	PISTON RING SET (0.5mm O/S)	SET FASCE	3
21	6R5-11633-10	REC6R5-11633-00	BULÓN	PIN, PISTON	SPINOTTO	6
22	6R5-11634-10	REC6R5-11634-00	CLIP	CLIP, PISTON PIN	CLIP	12
23	6R5-11650-10	REC6R5-11650-10	BIELA	CONNECTING ROD ASSY	BIELLA	6
24	90109-08022	REC90109-08022	TORNILLO	BOLT	VITE	2
25	93310-32337	REC93310-32337	RODAMIENTO	BEARING	CUSCINETTO	6
26	90201-23M01	REC90201-23M01	ARANDELA	WASHER, PLATE	RONDELLA	12
27	93310-836V2	REC93310-836V2	RODAMIENTO	BEARING	CUSCINETTO	6

YAMAHA

RECAMBIOS
MARINOS s.l.

PISTONES, AROS, BULONES Y RODAMIENTOS PISTONS, RINGS, PINS AND BEARINGS PISTONI, FASCE, BULLONI E CUSCINETTI



La gama de pistones RECMAR®, se suministrará siempre como kit, compuesto por pistón, aros, bulón y clips. Eventualmente las referencias antiguas sufren cambios de numeración. En caso de duda contacten con nuestros técnicos comerciales.
The RECMAR® piston assortment is always supplied as a set (piston, rings, pins and bearings). Old references may change.

In case of any doubt contact our technicians.

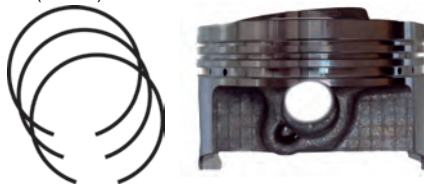
La gamma dei pistoni RECMAR®, si vende sempre come kit, composto da pistoni, fasce, bulloni e clips. Le referenze vecchie avranno un cambio di numerazione. In caso di dubbi contattare i nostri tecnici commerciali.

MOTORES 4 TIEMPOS 4 STROKES ENGINES MOTORI 4 TEMPI

Ref.	R.O.		
PAF2.6-04020001	69M-E1631-01-96	Pistón / Piston / Pistoni	STD
PAF2.6-04020005	69M-E1633-00	Bulón / Pin / Bullone	
REC69M-E1603-01	69M-E1603-01	Aros / Rings / Fasce	STD
	93450-13130	Clip	

MOTORES / ENGINES / MOTORI

F2.5AMH/MLH/MH/MSH (2004+)



Ref.	R.O.		
PAF4-04020200	68D-E1631-00-96	Pistón / Piston / Pistoni	STD
PAF4-04020005	68D-E1633-00	Bulón / Pin / Bullone	
REC68D-E1603-00	68D-E1603-00	Aros / Rings / Fasce	STD
PAF4-04020006	93450-14088	Clip	

MOTORES / ENGINES / MOTORI

F4A/MSHA/AMH/MLHB-D/MH (2002-09)



Ref.	R.O.		
PAF15-07020001	66M-11631-00-96	Pistón / Piston / Pistoni	STD
PAF15-07020006	634-11633-00	Bulón / Pin / Bullone	
REC66N-11603-00	66N-11603-00	Aros / Rings / Fasce	STD
PAF15-07020005	93450-15023	Clip	

MOTORES / ENGINES / MOTORI

F9.9C/CE/CMH/CWH/D (1998-08)
F13.5AMH/AEH/AEP (2000-07)
FT/F15A/PR/PLR/AEP/ELH/MH/AE/AM (2000-07)



Ref.	R.O.		
PAF25-05020100	65W-11631-00-96	Pistón / Piston / Pistoni	STD
PAF25-05020105	62Y-11633-00	Bulón / Pin / Bullone	
REC67C-11603-00	67C-11603-00	Aros / Rings / Fasce	STD
PAF25-05020106	93450-17129	Clip	

MOTORES / ENGINES / MOTORI

F20AES/AET/AE-S (2003-06)
F25ELH/AE/AW/A/AET/MHZ/MHA/AM/AEH/A-ES/T25ELRZ-T/FT25B (1998-09)
F30A/ERZ/MLH/AET/ELHB/AMH/TR/AWH/ETL (2001-09)
F40B/ELH/BE/ERZ/ERA/BMH/BWH (2000-09)



Ref.			
WI3207PS	Pistón / Piston / Pistoni	STD	
WI3207P2	Pistón / Piston / Pistoni	0.50	

MOTORES / ENGINES / MOTORI

F75 (2003-04)
F90 (2003-04)



Ref.			
WI3208PS	Pistón / Piston / Pistoni	STD	
WI3208P2	Pistón / Piston / Pistoni	0.50	

MOTORES / ENGINES / MOTORI

F75 (2005-08)
F80 (1999-03)
F90 (2005-08)
F100 (1999-03)



Ref.			
WI3205PS	Pistón / Piston / Pistoni	STD	
WI3205P1	Pistón / Piston / Pistoni	0.50	

MOTORES / ENGINES / MOTORI

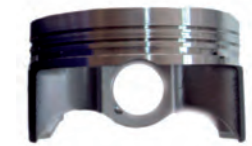
F115 (2000-08)



Ref.			
WI3206PS	Pistón / Piston / Pistoni	STD	
WI3206P1	Pistón / Piston / Pistoni	0.50	

MOTORES / ENGINES / MOTORI

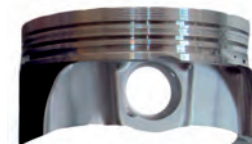
F200 (2002-07)
F225 (2005-07)



Ref.			
WI3204PS	Pistón / Piston / Pistoni	STD	
WI3204P1	Pistón / Piston / Pistoni	0.50	

MOTORES / ENGINES / MOTORI

F150 (2004-08)



MOTORES 2 TIEMPOS 2 STROKES ENGINES MOTORI 2 TEMPI



Ref.	R.O.		
REC6E0-11631-00-98K	6E0-11631-00-98	Kit Pistón / Piston kit / Kit Pistoni	STD
REC6G1-11633-00	6G1-11633-00	Bulón / Pin / Bullone	
REC6G1-11610-00	6G1-11610-00	Aros / Rings / Fasce	STD
REC93310-112V0	93310-112V0	Rodamientos / Bearing / cuscinetto	
REC93450-13022	93450-13022	Clip	

MOTORES / ENGINES / MOTORI

4AC (1985-02)
4AS (1987-96)
5C (1994-98)
5CS (1994-96)



Ref.	R.O.		
	677-11631-00-97	Kit Pistón/ Piston kit/ Kit Pistoni	STD
REC677-11635-00K		Kit Pistón/ Piston kit/ Kit Pistoni	0.25
REC677-11636-00K		Kit Pistón/ Piston kit/ Kit Pistoni	0.50
REC6G1-11633-00	6G1-11633-00	Bulón / Pin / Bullone	
REC647-11610-00	647-11610-00	Aros / Rings / Fasce	STD
REC93602-14118	93602-14118	Rodamientos / Bearing / Cuscinetto	
REC93450-13022	93450-13022	Clip	

MOTORES / ENGINES / MOTORI

E8D (1997-99)
E8DMH (1998-03)



Ref.	R.O.		
REC6E7-11631-00K	6E7-11631-00-97	Kit Pistón/ Piston kit/ Kit Pistoni	STD
REC6E7-11635-00K		Kit Pistón/ Piston kit/ Kit Pistoni	0.25
REC6E7-11636-00K		Kit Pistón/ Piston kit/ Kit Pistoni	0.50
REC634-11633-00	634-11633-00	Bulón / Pin / Bullone	
REC682-11610-01	682-11610-00	Aros / Rings / Fasce	STD
REC682-11610-11		Aros / Rings / Fasce	0.25
REC682-11610-21		Aros / Rings / Fasce	0.50
REC93602-14104	93602-14104	Rodamientos / Bearing / Cuscinetto	
REC93450-15023	93450-15023	Clip	

MOTORES / ENGINES / MOTORI

9.9D/15D (1985-95)
9.9F/FMH/MSH (1995-14)
15F/FEM/MSH/FMH/MH (1995-14)



Ref.	R.O.		
REC6H3-11631-01K	6H3-11631-01-96	Kit Pistón/ Piston kit/ Kit Pistoni	STD
REC6H3-11635-01K		Kit Pistón/ Piston kit/ Kit Pistoni	0.25
REC6H3-11636-01K		Kit Pistón/ Piston kit/ Kit Pistoni	0.50
REC6H3-11633-00	6H3-11633-00	Bulón / Pin / Bullone	
REC6K5-11601-02	6K5-11601-02	Aros / Rings / Fasce	STD
REC6K5-11601-12		Aros / Rings / Fasce	0.25
REC6K5-11601-22		Aros / Rings / Fasce	0.50
REC93603-18M09	93603-18M09	Rodamientos / Bearing / Cuscinetto	
REC688-11634-10	688-11634-10	Clip	

MOTORES / ENGINES / MOTORI

25B/BETO (1994-95)
50G/GEO/GETO (1993-07)
60F/FEQ/FEDO/FETO/FEH/TR/TLR (1990-07)
70BEH/BEO/B/BEM/BETO/BEDO/TR (1990-13)



Ref.	R.O.		
REC61N-11631-00K	61N-11631-00-95	Kit Pistón/ Piston kit/ Kit Pistoni	STD
REC61N-11635-00K		Kit Pistón/ Piston kit/ Kit Pistoni	0.25
REC61N-11636-00K		Kit Pistón/ Piston kit/ Kit Pistoni	0.50
REC689-11633-00	689-11633-00	Bulón / Pin / Bullone	
REC61N-11603-00	61N-11603-00	Aros / Rings / Fasce	STD
REC61N-11604-00		Aros / Rings / Fasce	0.25
REC61N-11605-00		Aros / Rings / Fasce	0.50
REC93602-20M02	93602-20M02	Rodamientos / Bearing / Cuscinetto	
REC688-11634-00	688-11634-00	Clip	

MOTORES / ENGINES / MOTORI

25VE/VM (1996-01)
25B/BMH (2001-10)
30G/GE (1996-00)
E30HMH(2003)
E30HMH/HW (2003-12)



Ref.	R.O.		
REC6J8-11631-02K	6J8-11631-02-97	Kit Pistón/ Piston kit/ Kit Pistoni	STD

MOTORES / ENGINES / MOTORI

25J/JEO/JETO/ESH (1990-99)
30DETO/DEO/DE/DMH/D/ELH/DWH (1990-12)



Ref.	R.O.		
REC6H4-11631-01K	6H4-11631-01-95	Kit Pistón/ Piston kit/ Kit Pistoni	STD
REC6H4-11635-01K		Kit Pistón/ Piston kit/ Kit Pistoni	0.25
REC6H4-11636-01K		Kit Pistón/ Piston kit/ Kit Pistoni	0.50
REC648-11633-00	648-11633-00	Bulón / Pin / Bullone	
REC63D-11603-00	63D-11603-00	Aros / Rings / Fasce	STD
REC63D-11604-00	63D-11604-00	Aros / Rings / Fasce	0.25
REC63D-11605-00	63D-11605-00	Aros / Rings / Fasce	0.50
REC93602-20M02	93602-20M02	Rodamientos / Bearing / Cuscinetto	
REC6H4-11634-01	6H4-11634-01	Clip	

MOTORES / ENGINES / MOTORI

25Q/QEO (1990-94)
40V/VMH/VETO/VMH/MLH/VMHO/VE/VEO/TLR/VETO/YETO/H/HE (1995-13)
C40T/TLR (1995-02)
50H/HRD/HMHD/HETO/HEDO/HWM/D/DE/DEMTO (1989-03)

Ref.	R.O.		
REC6H4-11601-00	6H4-11601-00	Aros / Rings / Fasce	STD
REC6H4-11601-10	6H4-11601-10	Aros / Rings / Fasce	0.25
REC6H4-11601-20	6H4-11601-10	Aros / Rings / Fasce	0.50

MOTORES / ENGINES / MOTORI

25Q/QEO
40H/HE/HEO
50D/DE/DEMTO



Ref.	R.O.		
REC689-11631-00K	689-11631-00-95	Kit Pistón/ Piston kit/ Kit Pistoni	STD
REC689-11633-00	689-11633-00	Bulón / Pin / Bullone	
REC689-11610-00	689-11610-01	Aros / Rings / Fasce	STD
REC93602-20M02	93602-20M02	Rodamientos / Bearing / Cuscinetto	
REC633-11634-00	633-11634-00	Clip	

MOTORES / ENGINES / MOTORI

30A (1985-1992)



Ref.	R.O.		
REC6F6-11631-00K	6F6-11631-00-95	Kit Pistón/ Piston kit/ Kit Pistoni	STD
REC6F6-11635-00K		Kit Pistón/ Piston kit/ Kit Pistoni	0.25
REC6F6-11636-00K		Kit Pistón/ Piston kit/ Kit Pistoni	0.50
REC6F5-11633-00	6F5-11633-00	Bulón / Pin / Bullone	
REC6F5-11610-00	6F5-11610-00	Aros / Rings / Fasce	STD
REC6F5-11610-10		Aros / Rings / Fasce	0.25
REC6F5-11610-20		Aros / Rings / Fasce	0.50
REC93603-21111	93603-21111	Rodamientos / Bearing / Cuscinetto	
REC663-11634-00	663-11634-00	Clip	

MOTORES / ENGINES / MOTORI

E40GMH/JMH/JWH (200:
40GWH/JWH (2003)



Ref.	R.O.		
REC66T-11631-01K	66T-11631-01-97	Kit Pistón/ Piston kit/ Kit Pistoni	STD
REC66T-11635-01K		Kit Pistón/ Piston kit/ Kit Pistoni	0.25
REC66T-11636-01K		Kit Pistón/ Piston kit/ Kit Pistoni	0.50
REC6F5-11633-00	6F5-11633-00	Bulón / Pin / Bullone	
REC66T-11603-00	66T-11603-00	Aros / Rings / Fasce	STD
REC66T-11604-00		Aros / Rings / Fasce	0.25
REC66T-11605-00		Aros / Rings / Fasce	0.50
REC93603-21111	93603-21111	Rodamientos / Bearing / Cuscinetto	
REC663-11634-00	663-11634-00	Clip	

MOTORES / ENGINES / MOTORI

E40X/XMH/XW (2002-13)
40XMH/XW (2003-13)



Ref.	R.O.		
REC6H4-11631-00K	6H4-11631-00-96	Kit Pistón/ Piston kit/ Kit Pistoni	STD
REC6H4-11635-00K		Kit Pistón/ Piston kit/ Kit Pistoni	0.25
REC6H4-11636-00K		Kit Pistón/ Piston kit/ Kit Pistoni	0.50
REC648-11633-00	648-11633-00	Bulón / Pin / Bullone	
REC6H4-11610-00-00	6H4-11610-00	Aros / Rings / Fasce	STD
REC6H4-11635-01		Aros / Rings / Fasce	0.25
REC6H4-11636-01		Aros / Rings / Fasce	0.50
REC93602-20M02	93602-20M02	Rodamientos / Bearing / Cuscinetto	
REC6H4-11634-01	6H4-11634-01	Clip	

MOTORES / ENGINES / MOTORI

40N/E/H (1984-1988)
50D/ETN (1984-1988)



Ref.	R.O.		
REC6H1-11631-03K	6H1-11631-03-95	Kit Pistón/ Piston kit/ Kit Pistoni	STD
REC663-11633-00	663-11633-00	Bulón / Pin / Bullone	
REC688-11603-A0	688-11603-A0	Aros / Rings / Fasce	STD
REC688-11604-A0		Aros / Rings / Fasce	0.25
REC688-11605-A0		Aros / Rings / Fasce	0.50
REC93603-21111	93603-21111	Rodamientos / Bearing / Cuscinetto	

MOTORES / ENGINES / MOTORI

55B (1996)
75 TLRB (2003)
75CETO (2004-13)
75AE/T/M/HD (1995-98)
E75B (2000-02)
75AED (2003-07)
75TLR (2000-02)
80A/AETO/AEMTO (1994-02)
85A/AE (1995-02)
90A/AEO/AEMO/AETO/AET/TLR/AETO (1994-13)



Ref.	R.O.		
REC688-11631-02K	688-11631-02-95	Kit Pistón/ Piston kit/ Kit Pistoni	STD
REC663-11633-00	663-11633-00	Bulón / Pin / Bullone	
REC688-11610-02	688-11610-02	Aros / Rings / Fasce	STD
REC93603-21111	93603-21111	Rodamientos / Bearing / Cuscinetto	
REC688-11634-00	688-11634-00	Clip	

MOTORES / ENGINES / MOTORI

55BET (1990)
55BE (1992)



Ref.	R.O.		
REC688-11631-03K	688-11631-03-94	Kit Pistón/ Piston kit/ Kit Pistoni	STD
REC688-11635-03K		Kit Pistón/ Piston kit/ Kit Pistoni	0.25
REC688-11636-03K		Kit Pistón/ Piston kit/ Kit Pistoni	0.50
REC663-11633-00	663-11633-00	Bulón / Pin / Bullone	
REC688-11603-A0	688-11603-A0	Aros / Rings / Fasce	STD
REC688-11604-A0		Aros / Rings / Fasce	0.25
REC688-11605-A0		Aros / Rings / Fasce	0.50
REC93603-21111	93603-21111	Rodamientos / Bearing / Cuscinetto	
REC688-11634-00	688-11634-00	Clip	

MOTORES / ENGINES / MOTORI

E48CMHS (2003)
55B/BM/BET (1993-02)
E55CMH (2003-05)
E75B (2000)
85A/AET/AED (2000-03)



Ref.	R.O.		
REC6K5-11631-03K	6K5-11631-03-95	Kit Pistón/ Piston kit/ Kit Pistoni	STD
REC6K5-11635-03K		Kit Pistón/ Piston kit/ Kit Pistoni	0.25
REC6K5-11636-03K		Kit Pistón/ Piston kit/ Kit Pistoni	0.50
REC6H3-11633-00	6H3-11633-00	Bulón / Pin / Bullone	
REC6K5-11601-02	6K5-11601-02	Aros / Rings / Fasce	STD
REC6K5-11601-12		Aros / Rings / Fasce	0.25
REC6K5-11601-22		Aros / Rings / Fasce	0.50
REC93603-18M09	93603-18M09	Rodamientos / Bearing / Cuscinetto	

MOTORES / ENGINES / MOTORI

E60HE/HM/HMHZ/MLHA/ELHB/HMHD -S-L (1997-13)



Ref.	R.O.		
REC688-11631-81K	688-11631-81-96	Kit Pistón/ Piston kit/ Kit Pistoni	STD
REC688-11610-02	688-11610-02	Aros / Rings / Fasce	STD
REC93603-21111	93603-21111	Rodamientos / Bearing / Cuscinetto	

MOTORES / ENGINES / MOTORI

75A/AE (1990-93)
85A/AE (1990-93)



Ref.	R.O.		
REC6R5-11631-11K	6R5-11631-11-93	Kit Pistón/ Piston kit/ Kit Pistoni	(STB)STD
WI314654		Kit Pistón/ Piston kit/ Kit Pistoni	0.40
REC6R5-11642-11K	6R5-11642-11-93	Kit Pistón/ Piston kit/ Kit Pistoni	(PORT)STD
WI3146P4		Kit Pistón/ Piston kit/ Kit Pistoni	0.40
REC6R5-11633-00	6R5-11633-10	Bulón / Pin / Bullone	
REC6R5-11603-00	6R5-11603-00	Aros / Rings / Fasce	STD
REC93310-32337	93310-32337	Rodamientos / Bearing / Cuscinetto	
REC6R5-11634-00	6R5-11634-10	Clip	

MOTORES / ENGINES / MOTORI

100A/AETO (1996-01)
115B (2000-02)
115CEO/GETO/TLR/TXRZ (1993-13)
130BETO/TLR (1993-07)
150 CETO/L150CETO (1993-95)
175BETO (1993-95)
200CETO (1993)
200BETO (1993-95)
225BET/BETO (1993-95)



Ref.	R.O.		
REC6R5-11631-01K	6R5-11631-11-93	Kit Pistón/ Piston kit/ Kit Pistoni	(STB)STD
REC6R5-11642-01K	6R5-11642-11-93	Kit Pistón/ Piston kit/ Kit Pistoni	(PORT)STD
REC6K7-11633-00	6K7-11633-00	Bulón / Pin / Bullone	
REC64D-11603-01	64D-11603-02	Aros / Rings / Fasce	STD
REC64D-11604-01	64D-11603-04	Aros / Rings / Fasce	0.25
REC64D-11605-01	64D-11603-05	Aros / Rings / Fasce	0.50
REC93310-32337	93603-21111	Rodamientos / Bearing / Cuscinetto	
REC6R5-11634-00	6R5-11634-00	Clip	

MOTORES / ENGINES / MOTORI

115BE/CEO (1992)	150CETO (1992)
E115AEL (2003)	175BETO (1992)
130BETO (1992)	200BETO (1992)



Ref.	R.O.		
REC6G5-11631-00K	6G5-11631-00-93	Kit Pistón/ Piston kit/ Kit Pistoni	(STB)STD
W1314654		Kit Pistón/ Piston kit/ Kit Pistoni	0.40
REC6G5-11642-00K	6G5-11642-00-93	Kit Pistón/ Piston kit/ Kit Pistoni	(PORT)STD
W13116P4		Kit Pistón/ Piston kit/ Kit Pistoni	0.40
REC6E5-11633-00	6E5-11633-01	Bulón / Pin / Bullone	
REC6E5-11610-02	6E5-11610-02	Aros / Rings / Fasce	STD
REC93603-21111	93603-21111	Rodamientos / Bearing / Cuscinetto	
REC6E5-11634-00	6E5-11634-00	Clip	

MOTORES / ENGINES / MOTORI

115ETN (1984)	150AETO (1985-87)
115A (1985-87)	175AETO (1984-87)
140AETO (1984-87)	200ETN (1984)
150ETN (1984)	200AETO (1985-87)



Ref.	R.O.		
REC64D-11631-00K	64D-11631-02-90	Kit Pistón/ Piston kit/ Kit Pistoni	(STB)STD
REC64D-11642-00K	64D-11642-02-90	Kit Pistón/ Piston kit/ Kit Pistoni	(PORT)STD
REC6R5-11633-00	6R5-11633-10	Bulón / Pin / Bullone	
REC64D-11603-02	64D-11603-02	Aros / Rings / Fasce	STD
REC93310-32337	93310-32337	Rodamientos / Bearing / Cuscinetto	
REC6R5-11634-00	6R5-11634-10	Clip	

MOTORES / ENGINES / MOTORI

150F/FETO (1996-2007)	200F/TLR/FETO (1996-10)
150TXR/TR (2002-05)	200G/GETOL (1996-02)
150AET (2001-02)	L200F/FETO (1996-00)
175D/DETO (1996-03)	225D/DET (1996-09)
200AET (2003)	



GUÍA DE PISTONES Y SEGMENTOS PISTONS & RINGS GUIDE GUIDA PISTONI E FASCE

MODELO MODEL MODELLO	AÑO INICIO YEAR FROM DALL'ANNO	AÑO FIN YEAR TO ALL'ANNO	SEGMENTOS RING FASCE	PISTÓN PISTON PISTONE
2B	1985	1999		
2BMHS/MSHA	2002	2003		
4A	1985	1987	REC6G1-11610-00	REC6E0-11631-00-98K
4AC	1987	1999	REC6G1-11610-00	REC6E0-11631-00-98K
4ACMHL/HS	2001	2003	REC6G1-11610-00	REC6E0-11631-00-98K
4AS	1987	1996	REC6G1-11610-00	REC6E0-11631-00-98K
4BC	1998	1998	REC6G1-11610-00	REC6E0-11631-00-98K
4BCMHL/HS	2001	2003	REC6G1-11610-00	REC6E0-11631-00-98K
5C	1994	1998	REC6G1-11610-00	REC6E0-11631-00-98K
5CMHL/HS	2001	2003	REC6G1-11610-00	REC6E0-11631-00-98K
5CS	1994	1996	REC6G1-11610-00	REC6E0-11631-00-98K
6C	1984	1996	REC6G1-11610-00	
6CMHL/HS	2002	2002	REC6G1-11610-00	
6D	1984	1996	REC6G1-11610-00	
6DMHL/HS	2002	2002	REC6G1-11610-00	
8C	1984	1996	REC6G1-11610-00	
8CMHL/HS	2002	2002	REC6G1-11610-00	
8CMHX	2002	2002	REC6G1-11610-00	
8CWHL	2002	2002	REC6G1-11610-00	
8CWHS	2002	2002	REC6G1-11610-00	
E8D	1997	1998	REC647-11610-00	REC677-11631-00K
E8DMH	1999	1999	REC689-11610-00	REC677-11631-00K
9.9D	1985	1995	REC682-11610-00	REC6E7-11631-00K
9.9FEMHW	1995	2013	REC682-11610-00	REC6E7-11631-00K
13.5/15FEMHW				
LBC	1995	2013	REC682-11610-00	REC6E7-11631-00K
15D	1985	1995	REC682-11610-00	REC6E7-11631-00K

MODELO MODEL MODELLO	AÑO INICIO YEAR FROM DALL'ANNO	AÑO FIN YEAR TO ALL'ANNO	SEGMENTOS RING FASCE	PISTÓN PISTON PISTONE
25B/BETO	1994	1995	REC6K5-11601-02	REC6H3-11631-01K
25BMHL/HS	2001	2010	REC61N-11603-00	REC61N-11631-00K
25J	1990	2000	REC6J8-11601-01	REC6J8-11631-02K
25Q	1990	1994	REC6H4-11601-00	REC6H4-11631-01K
25VE/VM	1996	2001	REC61N-11603-00	REC61N-11631-00K
25BMHL/HM	2001	2012	REC61N-11603-00	REC61N-11631-00K
25BMHS/WC	2001	2012	REC61N-11603-00	REC61N-11631-00K
C25 MHV2	1997	1998	REC61N-11603-00	REC61N-11631-00K
30A	1984	1985	REC689-11610-00	REC689-11631-00K
30AM	1990	1992	REC689-11610-00	REC689-11631-00K
30D	1990	2002	REC6J8-11601-01	REC6J8-11631-02K
30DEOL -EL	2001	2010	REC6J8-11601-01	REC6J8-11631-02K
30DEOS	2001	2010	REC6J8-11601-01	REC6J8-11631-02K
30DEOT -DETOL	2001	2010	REC6J8-11601-01	REC6J8-11631-02K
30DMHOL	2001	2014	REC6J8-11601-01	REC6J8-11631-02K
30DMHOS	2001	2010	REC6J8-11601-01	REC6J8-11631-02K
E30HMH	2003	2003	REC61N-11603-00	REC61N-11631-00K
30G/GE	1996	1997	REC61N-11603-00	REC61N-11631-00K
30 HM/WH	2003	2003	REC61N-11603-00	REC61N-11631-00K
30 HM/W	2010	2012	REC61N-11603-00	REC61N-11631-00K
C30	1993	1997	REC61N-11603-00	REC61N-11631-00K
40H	1984	1988	REC6H4-11610-00	REC6H4-11631-00K
40H	1989	1994	REC6H4-11601-00	REC6H4-11631-01K
40RMHO	2000	2000	REC6H4-11610-00	REC6H4-11631-01K
40RROS	2001	2001	REC6H4-11610-00	REC6H4-11631-01K
40V	1995	1998	REC6H4-11610-00	REC6H4-11631-01K
40VEO	2000	2000	REC6H4-11610-00	REC6H4-11631-01K
40VEOL/OS	2001	2006	REC6H4-11610-00	REC6H4-11631-01K
40VETO	2000	2000	REC6H4-11610-00	REC6H4-11631-01K
40VETOL	2001	2006	REC6H4-11610-00	REC6H4-11631-01K
40VETOS	2001	2003	REC6H4-11610-00	REC6H4-11631-01K
40VMHOL/OS	2001	2006	REC6H4-11610-00	REC6H4-11631-01K
40VMO	2000	2000	REC6H4-11610-00	REC6H4-11631-01K
40VMOS	2002	2002	REC6H4-11610-00	REC6H4-11631-01K
40X	1998	1998	REC66T-11603-00	REC66T-11631-01K
40XMH	2000	2000	REC66T-11603-00	REC66T-11631-01K
40XMHL	2001	2006	REC66T-11603-00	REC66T-11631-01K
40XMHS	2001	2002	REC66T-11603-00	REC66T-11631-01K
40XW	2000	2000	REC66T-11603-00	REC66T-11631-01K
40XWL/WS	2001	2001	REC66T-11603-00	REC66T-11631-01K
40XWT	2000	2000	REC66T-11603-00	REC66T-11631-01K
40XWTL	2001	2003	REC66T-11603-00	REC66T-11631-01K
40YETOL/YMHOS	2001	2004	REC6H4-11610-00	REC6H4-11631-01K
50D	1984	1989	REC6H4-11610-00	REC6H4-11631-00K
50D	1989	1994	REC6H4-11601-00	REC6H4-11631-01K
50G/EO	1993	2000	REC6K5-11601-02	REC6H3-11631-01K
50GETO	2000	2000	REC6K5-11601-02	REC6H3-11631-01K
50GETOL	2001	2007	REC6K5-11601-02	REC6H3-11631-01K
50H	1995	1998	REC6H4-11610-00	REC6H4-11631-01K
50HEDO	2000	2000	REC6H4-11610-00	REC6H4-11631-01K
50HEDOL/OS	2001	2002	REC6H4-11610-00	REC6H4-11631-01K
50HMDO	2000	2000	REC6H4-11610-00	REC6H4-11631-01K
55B	1993	2002	REC688-11603-A0	REC6H1-11631-03K
55BE	1990	1992	REC688-11610-02	REC688-11631-02K
55BE	2000	2000	REC688-11603-A0	REC688-11631-03K
55BEHD/BET	2000	2000	REC688-11603-A0	REC688-11631-03K
55BETL	2001	2002	REC688-11603-A0	REC688-11631-03K
60F	1990	2002	REC6K5-11601-02	REC6H3-11631-01K
60FEO	1991	2000	REC6K5-11601-02	REC6H3-11631-01K
60FETO	2000	2006	REC6K5-11601-02	REC6H3-11631-01K
60FETOL	2001	2007	REC6K5-11601-02	REC6H3-11631-01K
E60/HM/HDL	2001	2006	REC6K5-11601-02	REC6K5-11631-03K
70B	1990	2002	REC6K5-11601-02	REC6H3-11631-01K
70BEDOL	2001	2003	REC6K5-11601-02	REC6H3-11631-01K

MODELO MODEL MODELLO	AÑO INICIO YEAR FROM DALL'ANNO	AÑO FIN YEAR TO ALL'ANNO	SEGMENTOS RING FASCE	PISTÓN PISTON PISTONE
70BEO	1991	2000	REC6K5-11601-02	REC6H3-11631-01K
70BETO	1998	2013	REC6K5-11601-02	REC6H3-11631-01K
70BETOL	2001	2013	REC6K5-11601-02	REC6H3-11631-01K
75A	1993	1994	REC688-11610-02	REC688-11631-81K
75AET	2000	2000	REC688-11603-A0	REC6H1-11631-03K
75AETL	2001	2006	REC688-11603-A0	REC6H1-11631-03K
75AMHD	2000	2000	REC688-11603-A0	REC6H1-11631-03K
75C	1998	1998	REC688-11603-A0	REC6H1-11631-03K
75CETO	2000	2000	REC688-11603-A0	REC6H1-11631-03K
75CETOL	2001	2006	REC688-11603-A0	REC6H1-11631-03K
80A	1994	1996	REC688-11603-A0	REC6H1-11631-03K
85A	1990	1994	REC688-11610-02	REC688-11631-81K
85A	1995	1998	REC688-11603-A0	REC6H1-11631-03K
85AE	1990	1992	REC688-11610-02	REC688-11631-81K
85AE/AET	2000	2000	REC688-11603-A0	REC6H1-11631-03K
85AETL	2001	2002	REC688-11603-A0	REC6H1-11631-03K
90A	1994	1998	REC688-11603-A0	REC6H1-11631-03K
90AETO	2000	2000	REC688-11603-A0	REC6H1-11631-03K
90AETOL	2001	2006	REC688-11603-A0	REC6H1-11631-03K
100A	1997	1998	REC64D-11603-01	REC6R5-11631-11K (STB) / REC6R5-11642-11K (PORT)
100AETO	2000	2000	REC64D-11603-01	REC6R5-11631-11K (STB) / REC6R5-11642-11K (PORT)
100AETOL	2001	2001	REC64D-11603-01	REC6R5-11631-11K (STB) / REC6R5-11642-11K (PORT)
115A	1984	1987	REC6E5-11610-02	REC6G5-11631-00K (STB) / REC6G5-11642-00K (PORT)
115B	1992	1992	REC61V-11601-00	REC6R5-11631-01K (STB) / REC6R5-11642-01K (PORT)
115B	1993	1996	REC6R5-11603-00	REC6R5-11631-11K (STB) / REC6R5-11642-11K (PORT)
115BETO	1997	2000	REC64D-11603-01	REC6R5-11631-11K (STB) / REC6R5-11642-11K (PORT)
115BETOL	2001	2002	REC64D-11603-01	REC6R5-11631-11K (STB) / REC6R5-11642-11K (PORT)
115C	1992	1992	REC64D-11603-01	REC6R5-11631-11K (STB) / REC6R5-11642-11K (PORT)
115C	1993	1996	REC6R5-11603-00	REC6R5-11631-11K (STB) / REC6R5-11642-11K (PORT)
115C	1997	1998	REC64D-11603-01	REC6R5-11631-11K (STB) / REC6R5-11642-11K (PORT)
115CETO	2000	2000	REC64D-11603-01	REC6R5-11631-11K (STB) / REC6R5-11642-11K (PORT)
115CETOL	2001	2006	REC64D-11603-01	REC6R5-11631-11K (STB) / REC6R5-11642-11K (PORT)
115CETOX	2001	2001	REC64D-11603-01	REC6R5-11631-11K (STB) / REC6R5-11642-11K (PORT)
E115AWEL	2003	2006	REC64D-11603-01	REC6R5-11631-01K (STB) / REC6R5-11642-01K (PORT)
130B	1992	1992	REC64D-11603-01	REC6R5-11631-11K (STB) / REC6R5-11642-11K (PORT)
130B	1993	1996	REC6R5-11603-00	REC6R5-11631-11K (STB) / REC6R5-11642-11K (PORT)
130B	1997	1998	REC64D-11603-01	REC6R5-11631-11K (STB) / REC6R5-11642-11K (PORT)
130BETO	2000	2000	REC64D-11603-01	REC6R5-11631-11K (STB) / REC6R5-11642-11K (PORT)
130BETOL	2001	2006	REC64D-11603-01	REC6R5-11631-11K (STB) / REC6R5-11642-11K (PORT)
130BETOX	2001	2001	REC64D-11603-01	REC6R5-11631-11K (STB) / REC6R5-11642-11K (PORT)
L130B	1992	1992	REC61V-11601-00	REC6R5-11631-01K (STB) / REC6R5-11642-01K (PORT)
L130B	1993	1993	REC6R5-11603-00	REC6R5-11631-11K (STB) / REC6R5-11642-11K (PORT)
L130B	1997	1998	REC64D-11603-01	REC6R5-11631-11K (STB) / REC6R5-11642-11K (PORT)
L130BETOX	2000	2001	REC64D-11603-01	REC6R5-11631-11K (STB) / REC6R5-11642-11K (PORT)
140A	1985	1987	REC6E5-11610-02	REC6G5-11631-00K (STB) / REC6G5-11642-00K (PORT)
150A	1984	1987	REC6E5-11610-02	REC6G5-11631-00K (STB) / REC6G5-11642-00K (PORT)
150AET	1998	2000	REC64D-11603-01	REC64D-11631-00K
150AETL/AETX	2001	2002	REC64D-11603-01	REC64D-11642-00K
150C	1992	1992	REC61V-11601-00	REC6R5-11631-01K (STB) / REC6R5-11642-01K (PORT)
150C	1993	1995	REC6R5-11603-00	REC6R5-11631-11K (STB) / REC6R5-11642-11K (PORT)
150F	1996	2001	REC64D-11603-01	REC6G5-11631-00K (STB) / REC6G5-11642-00K (STB)
150FETO	1998	2000	REC64D-11603-01	REC64D-11631-00K (STB) / REC64D-11642-00K (PORT)
150FETOL	2001	2004	REC64D-11603-01	REC64D-11631-00K (STB) / REC64D-11642-00K (PORT)
150FETOX	2001	2005	REC64D-11603-01	REC64D-11631-00K (STB) / REC64D-11642-00K (PORT)
D150H	1999	2002	REC64D-11603-01	REC64D-11631-00K (STB) / REC64D-11642-00K (PORT)
L150C	1992	1992	REC61V-11601-00	REC6R5-11631-01K (STB) / REC6R5-11642-01K (PORT)
L150C	1993	1995	REC6R5-11603-00	REC6R5-11631-11K (STB) / REC6R5-11642-11K (PORT)
L150F	1996	1998	REC64D-11603-01	REC6G5-11631-00K (STB) / REC6G5-11642-00K (PORT)
L150FETO	2000	2000	REC64D-11603-01	REC64D-11631-00K (STB) / REC64D-11642-00K (PORT)
L150FETOL/FETOX	2001	2001	REC64D-11603-01	REC64D-11642-00K (STB) / REC64D-11642-00K (PORT)
175A	1984	1987	REC6E5-11610-02	REC6G5-11631-00K (STB) / REC6G5-11642-00K (PORT)
175B	1992	1992	REC61V-11601-00	REC6R5-11631-01K (STB) / REC6R5-11642-01K (PORT)
175BETO/CETO	1993	1995	REC6R5-11603-00	REC6R5-11631-11K (STB) / REC6R5-11642-11K (PORT)
175D	1996	1998	REC64D-11603-01	REC6G5-11631-00K (STB) / REC6G5-11642-00K (PORT)

MODELO MODEL MODELLO	AÑO INICIO YEAR FROM DALL'ANNO	AÑO FIN YEAR TO ALL'ANNO	SEGMENTOS RING FASCE	PISTÓN PISTON PISTONE
175DETO	1996	2000	REC64D-11603-01	REC64D-11631-00K
175DETO L	2001	2003	REC64D-11603-01	REC64D-11642-00K
175DETOX	2001	2002	REC64D-11603-01	REC64D-11642-00K
200A	1984	1987	REC6E5-11610-02	REC6G5-11631-00K (STB) / REC6G5-11642-00K (PORT)
200B	1992	1992	REC64D-11603-01	REC6R5-11631-01K (STB) / REC6R5-11642-01K (PORT)
200B	1993	1995	REC6R5-11603-00	REC6R5-11631-11K (STB) / REC6R5-11642-11K (PORT)
200F	1996	1998	REC64D-11603-01	REC6G5-11631-00K (STB) / REC6G5-11642-00K (PORT)
200FETO	2000	2000	REC64D-11603-01	REC64D-11631-00K (STB) / REC64D-11642-00K (PORT)
200FETOL/F	2001	2004	REC64D-11603-01	REC64D-11631-00K (STB) / REC64D-11642-00K (PORT)
200G	1999	1999	REC64D-11603-01	REC64D-11631-00K (STB) / REC64D-11642-00K (PORT)
200GETO	2000	2000	REC64D-11603-01	REC64D-11631-00K (STB) / REC64D-11642-00K (PORT)
200GETOL	2001	2003	REC64D-11603-01	REC64D-11631-00K (STB) / REC64D-11642-00K (PORT)
L200B	1992	1992	REC6R5-11603-00	REC6R5-11631-01K (STB) / REC6R5-11642-01K (PORT)
L 200B	1993	1995	REC6R5-11603-00	REC6R5-11631-11K (STB) / REC6R5-11642-11K (PORT)
L200F	1996	2001	REC64D-11603-01	REC6G5-11631-00K (STB) / REC6G5-11642-00K (PORT)
L200FETO	1996	2000	REC64D-11603-01	REC64D-11631-00K (STB) / REC64D-11642-00K (PORT)
200FETOL	2001	2004	REC64D-11603-01	REC64D-11631-00K (STB) / REC64D-11642-00K (PORT)
220A, ET, O	1985	1987	REC6E5-11610-02	
225B	1993	1995	REC6R5-11603-00	REC6R5-11631-11K (STB) / REC6R5-11642-11K (PORT)
225D	1996	2001	REC64D-11603-01	REC6G5-11631-00K (STB) / REC6G5-11642-00K (PORT)
225DETO	1996	2000	REC64D-11603-01	REC64D-11631-00K (STB) / REC64D-11642-00K (PORT)
225G	1999	1999	REC64D-11603-01	REC64D-11631-00K (STB) / REC64D-11642-00K (PORT)
225GETO	1999	2000	REC64D-11603-01	REC64D-11631-00K (STB) / REC64D-11642-00K (PORT)
225GETOL	2001	2003	REC64D-11603-01	REC64D-11631-00K (STB) / REC64D-11642-00K (PORT)
L225C	1994	1995	REC6R5-11603-00	REC69L-11631-00K (STB) / REC69L-11642-00K (PORT)
250A	1993	1995	REC6R5-11603-00	REC69L-11631-00K (STB) / REC69L-11642-00K (PORT)
250AETO	2000	2000	REC64D-11603-01	REC69L-11631-00K (STB) / REC69L-11642-00K (PORT)
250AETOX	2001	2004	REC64D-11603-01	REC69L-11631-00K (STB) / REC69L-11642-00K (PORT)
250B	1997	1998	REC64D-11603-01	REC69L-11631-00K (STB) / REC69L-11642-00K (PORT)
250BETO	2000	2000	REC64D-11603-01	REC69L-11631-00K (STB) / REC69L-11642-00K (PORT)
250BETOX	2001	2000	REC64D-11603-01	REC69L-11631-00K (STB) / REC69L-11642-00K (PORT)
L250AETO	2000	2005	REC64D-11603-01	REC69L-11631-00K (STB) / REC69L-11642-00K (PORT)
L250AETOX	2001	2006	REC64D-11603-01	REC69L-11631-00K (STB) / REC69L-11642-00K (PORT)
L250B	1997	2002	REC64D-11603-01	REC69L-11631-00K (STB) / REC69L-11642-00K (PORT)
L250BETO	2000	2003	REC64D-11603-01	REC69L-11631-00K (STB) / REC69L-11642-00K (PORT)
L250BETOX	2001	2003	REC64D-11603-01	REC69L-11631-00K (STB) / REC69L-11642-00K (PORT)
L250GETOX	2006	2010	REC64D-11603-01	REC69L-11631-00K (STB) / REC69L-11642-00K (PORT)
L250 A	1997	1998	REC64D-11603-01	REC69L-11631-00K (STB) / REC69L-11642-00K (PORT)
Z-LZ300TR AETO-X-V	2004	2004	REC6D0-11603-02	REC6D0-11631-00K (STB) / REC6D0-11642-00K (PORT)













GUÍA DE PISTONES Y SEGMENTOS PISTONS & RINGS GUIDE GUIDA PISTONI E FASCE

MODELO MODEL MODELLO	AÑO INICIO YEAR FROM DALL'ANNO	AÑO FIN YEAR TO ALL'ANNO	SEGMENTOS RING FASCE	PISTÓN PISTON PISTONE
F2.5 ALL	2004	2013	REC69M-E1603-01	PAF2.6-04020001
F4 ALL	2002	2009	REC68D-E1603-00	PAF4-04020001
F9.9/F15/F13.5	1998	2008	REC66N-11603-00	PAF15-07020001
FT25/T25	2000	2009	REC67C-11603-00	PAF25-05020101
F30 ALL	2001	2009	REC67C-11603-00	PAF25-05020101
F40 B/E ALL	2000	2009	REC67C-11603-00	PAF25-05020101
F20/F25 ALL	1999	2009	REC67C-11603-00	PAF25-05020101
F75	2003	2004		STD. WI3207PS / 0.50 WI3207P2
F75	2005	2008		STD. WI3208PS / 0.50 WI3208P2
F80	1999	2003		STD. WI3208PS / 0.50 WI3208P2
F90	2003	2004		STD. WI3207PS / 0.50 WI3207P2
F90	2005	2004		STD. WI3208PS / 0.50 WI3208P2
F100	1999	2003		STD. WI3208PS / 0.50 WI3208P2
F150	2004	2008		STD. WI3204PS / 0.25 WI3204P1
F200	2002	2007		STD. WI3206PS / 0.25 WI3206P1
F225	2005	2007		STD. WI3206PS / 0.25 WI3206P1

GUÍA RODAMIENTOS MOTOR ENGINE BEARING GUIDE GUIDA CUSCINETTI MOTORE

MODELO MODEL MODELLO	AÑOS YEARS ANNI	SUP. CIGÜEÑAL UP CRANKSHAFT SUP. ALBERO MOTORE 	GEN. CIGÜEÑAL CENT. CRANK CEN. ALBERO MOTORE 	INF. CIGÜEÑAL LOWER CRANK INF. ALBERO MOTORE 	CABEZA PIE UP CON. ROAD GABBIA A RULLI 	PIE BIELA LOW CON. ROAD BRONZINE BIELLA 
4A	1985-87	REC93306-304U0		REC93306-304U0	REC93310-112V0	REC93310-418V1
4AC	1987-99	REC93306-304U0		REC93306-304U0	REC93310-112V0	REC93310-418V1
4AC	1999	REC93306-304U0		REC93306-304U0	REC93310-112V0	REC93310-418V1
4AC MHL/MHS	2001-03	REC93306-304U0		REC93306-304U0	REC93310-112V0	REC93310-418V1
4AS	1987-96	REC93306-304U0		REC93306-304U0	REC93310-112V0	REC93310-418V1
4BC	1998-99	REC93306-304U0		REC93306-304U0	REC93310-112V0	REC93310-418V1
4BC	1999	REC93306-304U0		REC93306-304U0	REC93310-112V0	REC93310-418V1
4BC MHL/MHS	2001-03	REC93306-304U0		REC93306-304U0	REC93310-112V0	REC93310-418V1
5C	1985-99	REC93306-304U0		REC93306-304U0	REC93310-112V0	REC93310-418V1
5C MHL/MHS	2001-13	REC93306-304U0		REC93306-304U0	REC93310-112V0	REC93310-418V1
5CS	1987-96	REC93306-304U0		REC93306-304U0	REC93310-112V0	REC93310-418V1
6C	1990	REC93306-204U0	REC93306-204U0	REC93306-204U0	REC93310-112V0	REC93310-418V1
6C	1990-02	REC93306-204U0	REC93306-204U0	REC93306-204U0	REC93310-112V0	REC93310-418V1
6C MHL/MHS	2001-06	REC93306-204U0	REC93306-204U0	REC93306-204U0	REC93310-112V0	REC93310-418V1
6C WHL/WHS	2001	REC93306-204U0	REC93306-204U0	REC93306-204U0	REC93310-112V0	REC93310-418V1
6C	1990	REC93306-204U0	REC93306-204U0	REC93306-204U0	REC93310-112V0	REC93310-418V1
6D	1990-98	REC93306-204U0	REC93306-204U0	REC93306-204U0	REC93310-112V0	REC93310-418V1
6D MHL/MHS	2001-06	REC93306-204U0	REC93306-204U0	REC93306-204U0	REC93310-112V0	REC93310-418V1
6D WHS	2001	REC93306-204U0	REC93306-204U0	REC93306-204U0	REC93310-112V0	REC93310-418V1
8C	1987-02	REC93306-204U0	REC93306-204U0	REC93306-204U0	REC93310-112V0	REC93310-418V1
8C MHL/MHS	2001-12	REC93306-204U0	REC93306-204U0	REC93306-204U0	REC93310-112V0	REC93310-418V1
8C MHX/WHL	2001-03	REC93306-204U0	REC93306-204U0	REC93306-204U0	REC93310-112V0	REC93310-418V1
E8D/MH	1996-99	REC93306-204U0	REC93306-204U0	REC93306-204U0	REC93602-14118	REC93310-418U2
9.9D	1985-89	REC93306-205U2	REC93304-205U0	REC93306-304U0	REC93602-14104	REC93310-620V5
9.9D	1985-95	REC93306-205U2	REC93304-205U0	REC93306-304U0	REC93602-14104	REC93310-620V5
9.9D	1990-95	REC93306-205U2	REC93304-205U0	REC93306-304U0	REC93602-14104	
9.9F	1995-99	REC93306-205U7	REC93306-205U7	REC93306-205U7	REC93602-14104	REC93310-620V5
9.9F MH	2000	REC93306-205U7	REC93306-205U7	REC93306-205U7	REC93602-14104	REC93310-620V5
9.9F MHL/MHS	2001-06	REC93306-205U7	REC93306-205U7	REC93306-205U7	REC93602-14104	
9.9F WC/WH	2000	REC93306-205U7	REC93306-205U7	REC93306-205U7	REC93602-14104	REC93310-620V5
9.9F WHL/WHS	2001	REC93306-205U7	REC93306-205U7	REC93306-205U7	REC93602-14104	REC93310-620V5
13.5A	1999	REC93306-205U7	REC93306-205U7	REC93306-205U7	REC93602-14104	REC93310-620V5
13.5A MH	2000	REC93306-205U7	REC93306-205U7	REC93306-205U7	REC93602-14104	REC93310-620V5
13.5A MHL/MHS	2001-04	REC93306-205U7	REC93306-205U7	REC93306-205U7	REC93602-14104	REC93310-620V5
13.5A WH	2000	REC93306-205U7	REC93306-205U7	REC93306-205U7	REC93602-14104	REC93310-620V5
15D	1985-89	REC93306-205U2	REC93304-205U0	REC93306-304U0	REC93602-14104	REC93310-620V5
15D	1985	REC93306-205U2	REC93304-205U0	REC93306-304U0	REC93602-14104	REC93310-620V5
15D	1990-95	REC93306-205U2	REC93304-205U0	REC93306-304U0	REC93602-14104	REC93310-620U5
15F	1995-99	REC93306-205U7	REC93306-205U7	REC93306-205U7	REC93602-14104	REC93310-620V5
15F MH	2000	REC93306-205U7	REC93306-205U7	REC93306-205U7	REC93602-14104	REC93310-620V5
15F MHL/MHS	2001-06	REC93306-205U7	REC93306-205U7	REC93306-205U7	REC93602-14104	REC93310-620V5
15F WC	2000	REC93306-205U7	REC93306-205U7	REC93306-205U7	REC93602-14104	REC93310-620V5
15F WCL/WCS	2001-03	REC93306-205U7	REC93306-205U7	REC93306-205U7	REC93602-14104	REC93310-620V5
20C	1985	REC93306-30510		REC93306-30510	REC93602-20M02	REC93310-522A4
20C	1986-93	REC93306-30510		REC93306-30510	REC93602-20M02	REC93310-522W0
20C	1993	REC93306-305U3		REC93306-305U3	REC93602-20M02	REC93310-522W0
20C M	1990-97	REC93306-305U3		REC93306-305U3	REC93602-20M02	REC93310-522W0
20C MH	1998	REC93306-305U3		REC93306-305U3	REC93602-20M02	REC93310-522W0
20C MHL/MHS	2001-02	REC93306-305U3		REC93306-305U3	REC93602-20M02	REC93310-522W0
20DEM	1994-98	REC93311-632U7	REC93306-305U3	REC93306-305U3		
20D MHOL/MHOS	2001-06	REC93311-632U7	REC93306-305U3	REC93306-305U3		
20D WOL/WOS	2006	REC93311-632U7	REC93306-305U3	REC93306-305U3		REC93303-18M09
25B	1994-95	REC93311-636U6		REC93306-306V1	REC93603-18M09	REC93603-18M09
25B MHL/MHS	2001-06	REC93399-99951		REC93306-305U3	REC93602-20M02	
25B WCS	2001-02	REC93399-99951		REC93306-305U3	REC93602-20M02	
25D	1985	REC93306-30510		REC93306-30510	REC93602-20M02	REC93310-522A4
25D	1986-87	REC93306-30510		REC93306-30510	REC93602-20M02	REC93310-522W0
25D M	1990-97	REC93311-632U7	REC93306-305U3	REC93306-305U3	REC93602-20M02	REC93310-522W0
25D MH	1998	REC93311-632U7	REC93306-305U3	REC93306-305U3		REC93310-522W0
25D MHL/MHS	2001	REC93311-632U7	REC93306-305U3	REC93306-305U3	REC93602-20M02	REC93310-522W0
25J	1987-2000			REC93306-305U3		
25J	1992-2000	REC93311-632U7		REC93306-305U3		
25N	1994-98	REC93311-632U7	REC93306-305U3	REC93306-305U3		
25N MHOL/MHOS	2001-06	REC93311-632U7	REC93306-305U3	REC93306-305U3		
25N WOL/WOS	2001-03	REC93311-632U7	REC93306-305U3	REC93306-305U3		

MODELO MODEL MODELLO	AÑOS YEARS ANNI	SUP. CIGÜEÑAL UP CRANKSHAFT SUP. ALBERO MOTORE 	GEN. CIGÜEÑAL CENT. CRANK CEN. ALBERO MOTORE 	INF. CIGÜEÑAL LOWER CRANK INF. ALBERO MOTORE 	CABEZA PIE UP CON. ROAD GABBIA A RULLI 	PIE BIELA LOW CON. ROAD BRONZINE BIELLA 
25V	1996	REC93331-632U7	REC93306-305U3	REC93306-305U3	REC93602-20M02	
25V	1997-98	REC93311-632V4	REC93306-305U3	REC93306-305U3	REC93602-20M02	REC93310-624U5
25V MHL/MHS	2001	REC93311-632V4	REC93306-305U3	REC93306-305U3	REC93602-20M02	REC93310-624U5
25V WCS	2001	REC93311-632V4	REC93306-305U3	REC93306-305U3	REC93602-20M02	REC93310-624U5
30A	1985			REC93306-30510	REC93602-20M02	REC93310-624U5
30A M	1990-92			REC93306-305U3	REC93602-20M02	REC93310-624U5
30D	1986-99			REC93306-305U3		
30D	1992-00	REC93311-632U7		REC93306-305U3		
30D EOL/ETOL	2001-06	REC93311-632U7		REC93306-305U3		
30D MHOL/MHOS	2001-06	REC93311-632U7		REC93306-305U3		
30D OL	2001-03	REC93311-632U7		REC93306-305U3		
30D EOS	2001-06	REC93311-632U7		REC93306-305U3		
30G	1996	REC93311-632U7		REC93306-305U3	REC93602-20M02	REC93310-624U5
30G	1996-98	REC93311-632V4		REC93306-305U3	REC93602-20M02	REC93310-624U5
30G MHS/WCS	2001	REC93311-632V4		REC93306-305U3	REC93602-20M02	REC93310-624U5
30H MHS	2001-03	REC93311-632V4		REC93306-305U3	REC93602-20M02	REC93310-624U5
30H WCS	2001-02	REC93311-632V4		REC93306-305U3	REC93602-20M02	
40H	1984-87	REC93306-305V8		REC93306-30510	REC93602-20M02	
40Q	1993-98		REC93311-832U4		REC93603-21111	REC93310-730V6
40Q E/M	1992		REC93311-832U4		REC93603-21111	REC93310-730V6
40R MHO	2000				REC93602-20M02	
40R ROS	2001				REC93602-20M02	
40V	1994-99	REC93306-305U8		REC93306-305U8	REC93602-20M02	
40V EO	2000	REC93306-305U8		REC93306-305U8	REC93602-20M02	
40V EOL/EOS	2001-06	REC93306-305U8		REC93306-305U8	REC93602-20M02	
40V ETO	2000	REC93306-305U8		REC93306-305U8	REC93602-20M02	
40V ETOL/ETOS	2001-03	REC93306-305U8		REC93306-305U8	REC93602-20M02	
40V MHOL/MHOS	2001-06	REC93306-305U8		REC93306-305U8	REC93602-20M02	
40V MO	2000	REC93306-305U8		REC93306-305U8	REC93602-20M02	
40V MOS	2002-05	REC93306-305U8		REC93306-305U8	REC93602-20M02	
40X	1998	REC93306-307U0	REC93332-000UE	REC93306-306V5	REC93603-21111	REC93310-727U0
40X MH	2000	REC93306-307U0	REC93332-000UE	REC93306-306V5	REC93603-21111	REC93310-727U0
40X MHL	2001-06	REC93306-307U0	REC93332-000UE	REC93306-306V5	REC93603-21111	REC93310-727U0
40X WL/WS	2001	REC93306-307U0	REC93332-000UE	REC93306-306V5	REC93603-21111	REC93310-727U0
40X WT	2000	REC93306-307U0	REC93332-000UE	REC93306-306V5	REC93603-21111	REC93310-727U0
40X WTL	2001-03	REC93306-307U0	REC93332-000UE	REC93306-306V5	REC93603-21111	REC93310-727U0
40Y ETOL	2001-06	REC93306-305U8		REC93306-305U8	REC93602-20M02	
40Y MHOS	2001-06	REC93306-305U8		REC93306-305U8	REC93602-20M02	
E40G	2003	REC93306-307U0	REC93332-000UE	REC93306-306V1	REC93603-21111	REC93310-727V7
E40J	2003	REC93306-307U0	REC93332-000UE	REC93306-306V1	REC93603-21111	REC93310-727V7
50D	1984-90	REC93306-305U8		REC93306-30510	REC93602-20M02	
50G	1993-98	REC93311-636U6		REC93306-306V1	REC93603-18M09	REC93310-522A4
50G ETO	2000	REC93311-636U6		REC93306-306V1	REC93603-18M09	REC93310-522A4
50G ETOL	2001-06	REC93311-636U6		REC93306-306V1	REC93603-18M09	REC93310-522A4
50H	1994-99	REC93306-305U8		REC93306-305U8	REC93602-20M02	REC93310-522A4
50H EDO	2000	REC93306-305U8		REC93306-305U8	REC93602-20M02	REC93310-522A4
50H EDOL/EDOS	2001-02	REC93306-305U8		REC93306-305U8	REC93602-20M02	REC93310-522A4
50H MDO/MO	2000	REC93306-305U8		REC93306-305U8	REC93602-20M02	REC93310-522A4
55B	1993-98	REC93311-632U1			REC93603-21111	REC93311-832U4
55B E	1990-00	REC93311-632U1	REC93311-832U4		REC93603-21111	REC93311-832U4
55B EHD/ET	2000	REC93311-632U1	REC93311-832U4		REC93603-21111	REC93311-832U4
55B ETL	2001-02	REC93311-632U1	REC93311-832U4		REC93603-21111	REC93311-832U4
60F	1984-98	REC93311-636U6		REC93306-306V1	REC93603-18M09	
60F EO/ETO	2000	REC93311-636U6		REC93306-306V1	REC93603-18M09	
60F ETOL	2001-06	REC93311-636U6		REC93306-306V1	REC93603-18M09	
E60HMHD	2003	REC93311-636U6		REC93306-306V1		REC93310-527W1
E60 ELHB	2003	REC93311-636U6		REC93306-306V1		REC93310-527W1
E60H MHDL	2001-06	REC93311-636U6		REC93306-306V1	REC93603-18M09	
70B	1984-98	REC93311-636U6		REC93306-306V1	REC93603-18M09	
70B EDOL	2001	REC93311-636U6		REC93306-306V1	REC93603-18M09	
70B EO/ETO	2000	REC93311-636U6		REC93306-306V1	REC93603-18M09	
70B ETOL	2001-06	REC93311-636U6		REC93306-306V1	REC93603-18M09	
75A	1993-98	REC93310-636U4	REC93310-835U8	REC93306-206U5	REC93603-21111	REC93310-730V8
75A E	1990-00	REC93310-636U4	REC93310-835U8	REC93306-206U5	REC93603-21111	REC93310-730V8
75A EDL	2001-06	REC93310-636U4	REC93310-835U8	REC93306-206U5	REC93603-21111	REC93310-730V8
75A EM	1992	REC93310-636U4	REC93310-835U8	REC93306-206U5	REC93603-21111	REC93310-730V8
75A ET/ETL	2000	REC93310-636U4	REC93310-835U8	REC93306-206U5	REC93603-21111	REC93310-730V8
75A MHD	2000	REC93310-636U4	REC93310-835U8	REC93306-206U5	REC93603-21111	REC93310-730V8
75C	1998	REC93310-636U4	REC93310-835U8	REC93306-206U5	REC93603-21111	REC93310-730V8
75C ETO	2000	REC93310-636U4	REC93310-835U8	REC93306-206U5	REC93603-21111	REC93310-730V8

MODELO MODEL MODELLO	AÑOS YEARS ANNI	SUP. CIGÜEÑAL UP CRANKSHAFT SUP. ALBERO MOTORE	GEN. CIGÜEÑAL CENT. CRANK GEN. ALBERO MOTORE	INF. CIGÜEÑAL LOWER CRANK INF. ALBERO MOTORE	CABEZA PIE UP CON. ROAD GABBIA A RULLI	PIE BIELA LOW CON. ROAD BRONZINE BIELLA
						
75C ETOL	2001-06	REC93310-636U4	REC93310-835U8	REC93306-206U5	REC93603-21111	REC93310-730V8
80A	1985-95	REC93310-636U4	REC93310-835U8	REC93306-206U5	REC93603-21111	REC93310-730V8
85A	1996-98	REC93310-636U4	REC93310-835U8	REC93306-206U5	REC93603-21111	REC93310-730V8
85A E	1990-2000	REC93310-636U4	REC93310-835U8	REC93306-206U5	REC93603-21111	REC93310-730V8
85A ET/ETL	2000	REC93310-636U4	REC93310-835U8	REC93306-206U5	REC93603-21111	REC93310-730V8
90A	1984-98	REC93310-636U4	REC93310-835U8	REC93306-206U5	REC93603-21111	REC93310-730V8
90A ETO/ETOL	2000	REC93310-636U4	REC93310-835U8	REC93306-206U5	REC93603-21111	REC93310-730V8
100A	1998	REC93311-940U3	REC93310-954U1	REC93306-208U0	REC93310-323V6	REC93310-836V2
100A ETO	2000	REC93311-940U3	REC93310-954U1	REC93306-208U0	REC93310-323V6	REC93310-836V2
100A ETOL	2001	REC93311-940U3	REC93310-954U1	REC93306-208U0	REC93310-323V6	REC93310-836V2
115A	1984-87	REC93311-940U3	REC93310-954V3	REC93306-208U0	REC93603-21111	REC93310-836V2
115B	1988-92	REC93311-940U3	REC93310-954V3	REC93306-208U0	REC93603-21111	REC93310-836V2
115B	1993-96	REC93311-940U3	REC93310-954V3	REC93306-208U0	REC93310-323V6	REC93310-836V2
115B ETOL	2001-02	REC93311-940U3	REC93310-954U1	REC93306-208U0	REC93310-323V6	REC93310-836U0
115C	1988-91	REC93311-940U3	REC93310-954V3	REC93306-208U0	REC93603-21111	REC93310-836V2
115C	1992-98	REC93311-940U3	REC93310-954V3	REC93306-208U0	REC93310-323V6	REC93310-836V2
115C ETO	2000	REC93311-940U3	REC93310-954U1	REC93306-208U0	REC93310-323V6	REC93310-836V2
115C ETOL	2001	REC93311-940U3	REC93310-954U1	REC93306-208U0	REC93310-323V6	REC93310-836U0
115C ETOX	1988-91	REC93311-940U3	REC93310-954U1	REC93306-208U0	REC93310-323V6	REC93310-836V2
130B	1992-98	REC93311-940U3	REC93310-954V3	REC93306-208U0	REC93603-21111	REC93310-836V2
130B	2001-06	REC93311-940U3	REC93310-954V3	REC93306-208U0	REC93310-323V6	REC93310-836V2
130B ETO	2000-2005	REC93306-307U0	REC93332-000UE	REC93306-208U0	REC93603-21111	REC93310-836V2
130B ETOL	2001-06	REC93311-940U3	REC93310-954U1	REC93306-208U0	REC93310-323V6	REC93310-836V2
130B ETOX	2001	REC93311-940U3	REC93310-954U1	REC93306-208U0	REC93310-323V6	REC93310-836U0
L130B	1988-91	REC93311-940U3	REC93310-954U1	REC93306-208U0	REC93310-323V6	REC93310-836V2
L130B	1992-98	REC93311-940U3	REC93310-954U1	REC93306-208U0	REC93603-21111	REC93310-836V2
L130B ETO	2000	REC93311-940U3	REC93310-954U1	REC93306-208U0	REC93310-323V6	REC93310-836V2
L130B ETOL	2001	REC93311-940U3	REC93310-954U1	REC93306-208U0	REC93310-323V6	REC93310-836V2
140A	1984-89	REC93311-940U3	REC93310-954U1	REC93306-208U0	REC93310-323V6	REC93310-836V2
140B	1988-89	REC93311-940U3	REC93310-954V3	REC93306-208U0	REC93603-21111	REC93310-836V2
L140B	1989	REC93311-940U3	REC93310-954V3	REC93306-208U0	REC93603-21111	REC93310-836V2
150A	1984-89	REC93311-940U3	REC93310-954V3	REC93306-208U0	REC93603-21111	REC93310-836V2
150A ET	1998-00	REC93311-940U3	REC93310-954V3	REC93306-208U0	REC93603-21111	REC93310-836V2
150A ETL	2001-02	REC93311-940U3	REC93310-954U1	REC93306-208U0	REC93310-323V6	REC93310-836V2
150A ETX	2001-02	REC93311-940U3	REC93310-954U1	REC93306-208U0	REC93310-323V6	REC93310-836V2
L150C	1988-91	REC93311-940U3	REC93310-954U1	REC93306-208U0	REC93310-323V6	REC93310-836V2
150C	1988-91	REC93311-940U3	REC93310-954V3	REC93306-208U0	REC93603-21111	REC93310-836V2
150C	1992-95	REC93311-940U3	REC93310-954V3	REC93306-208U0	REC93603-21111	REC93310-836V2
150F	1996-98	REC93311-940U3	REC93310-954V3	REC93306-208U0	REC93310-323V6	REC93310-836V2
150F ETO	2000	REC93311-940U3	REC93310-954U1	REC93306-208U0	REC93310-323V6	REC93310-836V2
150F ETOL	2001-06	REC93311-940U3	REC93310-954U1	REC93306-208U0	REC93310-323V6	REC93310-836V2
150F ETOX	2001-06	REC93311-940U3	REC93310-954U1	REC93306-208U0	REC93310-32337	REC93310-836V2
D150H	1999	REC93311-940U3	REC93310-954U1	REC93306-208U0	REC93310-32337	REC93310-836V2
D150HETO	2001-02	REC93311-940U3	REC93310-954U1	REC93306-208U0	REC93310-323V6	REC93310-836V2
L150A	1988-89	REC93311-940U3	REC93310-954U1	REC93306-208U0	REC93310-323V6	REC93310-836V2
L150C	1990-95	REC93311-940U3	REC93310-954V3	REC93306-208U0	REC93603-21111	REC93310-836V2
L150F	1996-98	REC93311-940U3	REC93310-954V3	REC93306-208U0	REC93310-323V6	REC93310-836V2
L150F ETO	2000	REC93311-940U3	REC93310-954U1	REC93306-208U0	REC93310-323V6	REC93310-836V2
L150F ETOL	2001	REC93311-940U3	REC93310-954U1	REC93306-208U0	REC93310-323V6	REC93310-836V2
L150 EOTX	2001	REC93311-940U3	REC93310-954U1	REC93306-208U0	REC93310-323V6	REC93310-836V2
LZ150PETO	2000-06	REC93311-940U3	REC93310-954U1	REC93306-208U0	REC93310-323V6	REC93310-836V2
Z150P ETO	2000	REC93311-940U3	REC93310-954U1	REC93306-208U0	REC93310-32337	REC93310-836U0
Z150P ETOL	2001-06	REC93311-940U3	REC93310-954U1	REC93306-208U0	REC93310-32337	REC93310-836U0
Z150Q ETO	2000	REC93311-940U3	REC93310-954U1	REC93306-208U0	REC93310-32337	REC93310-836U0
Z150Q ETOL	2001-06	REC93311-940U3	REC93310-954U1	REC93306-208U0	REC93310-323V6	REC93310-836U0
175A	1984-89	REC93311-940U3	REC93310-954U1	REC93306-208U0	REC93310-32337	REC93310-836U0
175B	1978-95	REC93311-940U3	REC93310-954V3	REC93306-208U0	REC93603-21111	REC93310-836V2
175D	1996-98	REC93311-940U3	REC93310-954V3	REC93306-208U0	REC93310-323V6	REC93310-836V2
175D ETO/ETOL	2000	REC93311-940U3	REC93310-954U1	REC93306-208U0	REC93310-323V6	REC93310-836V2
175D ETOX/ETOL	2001-02	REC93311-940U3	REC93310-954U1	REC93306-208U0	REC93310-323V6	REC93310-836V2
175D ETOL	2001	REC93311-940U3	REC93310-954U1	REC93306-208U0	REC93310-323V6	REC93310-836V2
Z175G ETOX	2001-06	REC93311-940U3	REC93310-954U1	REC93306-208U0	REC93310-323V6	REC93310-836U0
200A	1984-89	REC93311-940U3	REC93310-954U1	REC93306-208U0	REC93310-32337	REC93310-836U0
200B	1990-95	REC93311-940U3	REC93310-954V3	REC93306-208U0	REC93603-21111	REC93310-836V2
200F	1996-98	REC93311-940U3	REC93310-954V3	REC93306-208U0	REC93310-323V6	REC93310-836V2
200F ETO/ETOL	2000	REC93311-940U3	REC93310-954U1	REC93306-208U0	REC93310-323V6	REC93310-836V2
200F ETOX	2001-06	REC93311-940U3	REC93310-954U1	REC93306-208U0	REC93310-32337	REC93310-836V2
200G	1999-02	REC93311-940U3	REC93310-954U1	REC93306-208U0	REC93310-32337	REC93310-836V2
200G ETO/ETOL	2000	REC93311-940U3	REC93310-954U1	REC93306-208U0	REC93310-323V6	REC93310-836V2
L200A	1988-91	REC93311-940U3	REC93310-954U1	REC93306-208U0	REC93310-323V6	REC93310-836V2

MODELO MODEL MODELLO	AÑOS YEARS ANNI	SUP. CIGÜEÑAL UP CRANKSHAFT SUP. ALBERO MOTORE	GEN. CIGÜEÑAL CENT. CRANK GEN. ALBERO MOTORE	INF. CIGÜEÑAL LOWER CRANK INF. ALBERO MOTORE	CABEZA PIE UP CON. ROAD GABBIA A RULLI	PIE BIELA LOW CON. ROAD BRONZINE BIELLA
L200B	1992-95	REC93311-940U3	REC93310-954V3	REC93306-208U0	REC93603-21111	REC93310-836V2
L200F	1996-98	REC93311-940U3	REC93310-954V3	REC93306-208U0	REC93310-323V6	REC93310-836V2
L200F ETO/ETOL	2000	REC93311-940U3	REC93310-954U1	REC93306-208U0	REC93310-323V6	REC93310-836V2
LZ200N ETO	2000	REC93311-940U3	REC93310-954U1	REC93306-208U0	REC93310-32337	REC93310-836V2
LZ200NETO		REC93311-940U3	REC93310-954U1	REC93306-208U0	REC93310-323V6	REC93310-836U0
Z200N ETO	2001-06	REC93311-940U3	REC93310-954U1	REC93306-208U0	REC93310-32337	REC93310-836U0
Z200 N ETOL	2000	REC93311-940U3	REC93310-954U1	REC93306-208U0	REC93310-323V6	REC93310-836U0
Z200N ETOX/ ETOL	2001-06	REC93311-940U3	REC93310-954U1	REC93306-208U0	REC93310-32337	REC93310-836U0
220A	2003-06	REC93311-940U3	REC93310-954U1	REC93306-208U0	REC93310-32337	REC93310-836U0
225A	1984-86	REC93311-940U3	REC93310-954V3	REC93306-208U0	REC93603-21111	REC93310-836V2
225A	1987-89	REC93311-940U3	REC93310-954V3	REC93306-208U0	REC93603-21111	REC93310-836V2
225D ETO	2000	REC93311-940U3	REC93310-954U1	REC93306-208U0	REC93310-323V6	REC93310-836V2
225D ETOL/ETOX	2001-03	REC93311-940U3	REC93310-954U1	REC93306-208U0	REC93310-323V6	REC93310-836V2
250AET	1996-06				REC93310-326V4	
250B	95-02				REC93310-326V4	
225G	99-03				REC93310-326V4	
225A	1984-86	REC93311-940U3	REC93310-954V3	REC93306-208U0	REC93603-21111	REC93310-836V2
225A	1987-89	REC93311-940U3	REC93310-954V3	REC93306-208U0	REC93603-21111	REC93310-836V2
225D ETO	2000	REC93311-940U3	REC93310-954U1	REC93306-208U0	REC93310-323V6	REC93310-836V2
225D ETOL/ETOX	2001-03	REC93311-940U3	REC93310-954U1	REC93306-208U0	REC93310-323V6	REC93310-836V2
250AET	1996-06				REC93310-326V4	
250B	95-02				REC93310-326V4	
225G	99-03				REC93310-326V4	



GUÍA CIGÜEÑAL CRANKSHAFT GUIDE GUIDA ALBERO MOTORE

MODELO MODEL MODELLO	AÑO INICIO YEAR FROM DALL'ANNO	AÑO FIN YEAR TO ALL'ANNO	PRTE 1 PART 1 PARTE 1	PRTE 2 PART 2 PARTE 2	PRTE 3 PART 3 PARTE 3	PRTE 4 PART 4 PARTE 4
6B/8B	1980	1981	REC677-11412-02	REC677-11422-02	REC677-11432-02	REC-677-11442-02
E8D	1996	1999	REC677-11412-02	REC677-11422-02	REC677-11432-02	REC677-11442-02
E8D MH	1998	1999	REC677-11412-02	REC677-11422-02	REC677-11432-02	REC677-11442-02
9.9D	1985	1987	REC682-11412-00	REC682-11422-00	REC682-11432-00	REC682-11442-00
9.9D	1988	1995	REC63V-11412-00	REC6K4-11422-00	REC6K4-11432-00	REC682-11442-00
9.9F/MH	1995	2014	REC63V-11412-00	REC63V-11422-00	REC63V-11432-00	REC63V-11442-00
9.9F WH	2000	2000	REC63V-11412-00	REC63V-11422-00	REC63V-11432-00	REC63V-11442-00
9.9F WHL/S	2001	2001	REC63V-11412-00	REC63V-11422-00	REC63V-11432-00	REC63V-11442-00
13.5A	1999	2006	REC63V-11412-00	REC63V-11422-00	REC63V-11432-00	REC63V-11442-00
15D	1985	1987	REC682-11412-00	REC682-11422-00	REC63V-11432-00	REC682-11442-00
15D	1988	1995	REC682-11412-00	REC6K4-11422-00	REC6K4-11432-00	REC682-11442-00
15F/MH	1995	2014	REC63V-11412-00	REC63V-11412-00	REC63V-11432-00	REC63V-11442-00
E15D	2003	2003	REC63V-11412-00	REC63V-11422-00	REC63V-11432-00	REC63V-11442-00
15F WCL	2001	2003	REC63V-11412-00	REC63V-11422-00	REC63V-11432-00	REC63V-11442-00
15 WCS	2001	2002	REC63V-11412-00	REC63V-11422-00	REC63V-11432-00	REC63V-11442-00
20C	1981	1986	REC6G0-11412-10	REC6G0-11422-00	REC6G0-11432-00	REC695-11442-00
20C	1996	2002		REC6G0-11422-00	REC6G0-11432-00	
20C M	1990	2002	REC6G0-11412-10	REC6G0-11422-00	REC6G0-11432-00	REC695-11442-00
25D	1985	1987	REC6G0-11412-10	REC6G0-11422-00	REC6G0-11432-00	REC695-11442-00
25D M	1990	1997	REC6G0-11412-10	REC6G0-11422-00	REC6G0-11432-00	REC6G0-11442-00
25D MH	1998	1998	REC6G0-11412-10	REC6G0-11422-10	REC6G0-11432-00	REC6G0-11442-00
25D MHL/MHS	2001	2001	REC6G0-11412-10	REC6G0-11422-10	REC6G0-11432-00	REC6G0-11442-00
40X/E40X/MH	1998	2002	REC66T-11412-00	REC66T-11422-00	REC66T-11432-00	REC66T-11442-00
40X MHL	2001	2013	REC66T-11412-00	REC66T-11422-00	REC66T-11432-00	REC66T-11442-00
40X MHS	2001	2013	REC66T-11412-00	REC66T-11422-00	REC66T-11432-00	REC66T-11442-00
40X W	2000	2000	REC66T-11412-00	REC66T-11422-00	REC66T-11432-00	REC66T-11442-00
40X WL/WS	2001	2003	REC66T-11412-00	REC66T-11422-00	REC66T-11432-00	REC66T-11442-00
40X WT	2000	2000	REC66T-11412-00	REC66T-11422-00	REC66T-11432-00	REC66T-11442-00
40X WTL	2001	2003	REC66T-11412-00	REC66T-11422-00	REC66T-11432-00	REC66T-11442-00
40GM/W/J	2003	2004	REC6F5-11412-11	REC6F5-11422-11	REC6F5-11432-11	REC6F5-11442-11



PARTE 1 / Part 1



PARTE 2 / Part 2



PARTE 3 / Part 3



PARTE 4 / Part 4






MODELO MODEL MODELLO	AÑO INICIO YEAR FROM DALL'ANNO	AÑO FIN YEAR TO ALL'ANNO	CIGÜEÑAL CRANKSHAFT ALBERO MOTORE
E48CMHS	2003	2003	REC663-11411-01
E55CMH/L/S	2003	2005	REC663-11411-01
55B	1993	2002	REC663-11411-01
55B E	1990	1992	REC663-11411-01
55B EHD	2000	2000	REC663-11411-01
55B ET	1990	1998	REC663-11411-01
55B ETL	2001	2002	REC663-11411-00
80A/90AETO	1988	1988	REC688-11411-00
100A	1996	2001	REC6N7-11411-01
100A A ETO	2000	2000	REC6N7-11411-01
100A ETOL	2001	2001	REC6N7-11411-01
115A	1984	1987	REC6E5-11411-00
115B	1985	2001	REC6E5-11411-00
115B ETO	1997	2000	REC6N7-11411-01
115B ETOL	2001	2002	REC6N7-11411-01
115CEO	1990	1998	REC6N7-11411-01
115C ETO	1995	2001	REC6N7-11411-01
115CETOL/CETOX	2001	2001	REC6N7-11411-01
130BETO	1990	2001	REC6N7-11411-01
130BETOL/BETOX	2001	2001	REC6N7-11411-01
L130B	1991	1998	REC6N7-11411-01
L130B ETO	2000	2000	REC6N7-11411-01
L130B ETOX	2001	2001	REC6N7-11411-01
140A	1984	1987	REC6E5-11411-00
140B	1988	1989	REC6E5-11411-00
L140B	1989	1989	REC6E5-11411-00
150A	1984	1989	REC6G5-11411-02
150A ET	1998	2000	REC6G5-11411-02
150A ETL/ETX	2001	2001	REC6G5-11411-02
150D ETOL	2001	2003	REC6G5-11411-02
150F	1997	1998	REC6G5-11411-02
150F ETO	2000	2000	REC6G5-11411-02
150FETOL-X	2002	2007	REC6G5-11411-02
150F ETOL	2001	2006	REC6G5-11411-02
150F ETOX	2001	2006	REC6G5-11411-02
D150H	1999	1999	REC6G5-11411-02
DX150TLRA	2002	2002	REC67H-11411-00
L150A	1988	1989	REC6G5-11411-02
L150CETO	1990	1995	REC6R3-11411-00
L150F	1997	1998	REC6G5-11411-02
L150F ETO	2000	2000	REC6G5-11411-02
L150 FETOL/FETOX	2001	2001	REC6G5-11411-02
SX150TXRA	2002	2002	REC67H-11411-00






MODELO MODEL MODELLO	AÑO INICIO YEAR FROM DALL'ANNO	AÑO FIN YEAR TO ALL'ANNO	CIGÜEÑAL CRANKSHAFT ALBERO MOTORE
175A	1984	1989	REC6G5-11411-02
175BETO/ET	1990	1995	REC6R3-11411-00
175D	1997	1998	REC6G5-11411-02
175D ETO	2000	2000	REC6G5-11411-02
175D ETOX	2001	2002	REC6G5-11411-02
200A	1984	1989	REC6G5-11411-02
200AET-L-X	2003	2003	REC6G5-11411-02
200BETO/ETD	1990	1995	REC6R3-11411-00
200CETO	1992	1993	REC6R3-11411-00
200F	1997	1998	REC6G5-11411-02
200F ETO	2000	2000	REC6G5-11411-02
200F ETOL	2001	2001	REC6G5-11411-02
200FETOL-X	2002	2010	REC6G5-11411-02
200F ETOX	2001	2001	REC6G5-11411-02
200G	1999	1999	REC6G5-11411-02
200G ETO	2000	2000	REC6G5-11411-02
200G ETOL	2001	2001	REC6G5-11411-02
L200A	1988	1991	REC6G5-11411-02
L200BETO/ET	1990	1995	REC6R3-11411-00
L200F	1997	1998	REC6G5-11411-02
L200F ETO	2000	2000	REC6G5-11411-02
PROV200	1991	1995	REC6R3-11411-00
220AET	1984	1986	REC6G5-11411-02
225AETO	1987	1989	REC6G5-11411-02
225D-DET	1997	2001	REC6G5-11411-02






4 STROKES / 4 TIEMPOS GUÍA CIGÜEÑAL CRANKSHAFT GUIDE GUIDA ALBERO MOTORE






MODELO MODEL MODELLO	AÑO INICIO YEAR FROM DALL'ANNO	AÑO FIN YEAR TO ALL'ANNO	CIGÜEÑAL CRANKSHAFT ALBERO MOTORE
F2.5 ALL	2003	2013	PAF2.6-04030000
F4 ALL	1998	2009	PAF4-04030000
F9.9 ALL	1998	2009	PAF15-07030000
F13.5 ALL	1999	2007	PAF15-07030000
F15 ALL	1998	2007	PAF15-07030000
T25E/TL/R/B	2000	2009	PAF25-05020001
F25 ALL	1999	2009	PAF25-05020001
F20/AE/S/TL	2003	2006	PAF25-05020001
F45AET	1999	1999	PAF25-05020001
F50TJR	1999	1999	PAF25-05020001

2 STROKES / 2 TIEMPOS 4 STROKES / 4 TIEMPOS GUÍA BIELAS CONNECTING ROD GUIDE GUIDA BIELLE

MODELO MODEL MODELLO	AÑOS YEARS ANNI	BIELA CONNEC. ROAD BIELLA	ARANDELA P. BIELA WASHER DOWN RONDELLA GIÙ BIELLA	ARANDELA CA. BIELA WASHER UP RONDELLA SU BIELLA	BULÓN PIN BULONE	PASAD. PIE BIELA PIN DOW PASSO BIELLA
2B	1986-2002					
2MSHA/S/B	2002-03	REC646-11651-02	REC90209-18112			REC646-11681-00
2CMHS	2010	REC646-11651-02				REC646-11681-00
4A	1985-87	REC6E0-11651-00				REC6G1-11681-00
4AC	1987-99	REC6E0-11651-00	REC90209-18112		REC6G1-11633-00	REC6G1-11681-00
4AC MHL/HS	2001-03	REC6E0-11651-00	REC90209-18112		REC6G1-11633-00	REC6G1-11681-00
4AS	1987-96	REC6E0-11651-00	REC90209-18112		REC6G1-11633-00	REC6G1-11681-00
4BC	1998-99	REC6E0-11651-00	REC90209-18112		REC6G1-11633-00	REC6G1-11681-00
4BC	1999	REC6E0-11651-00	REC90209-18112		REC6G1-11633-00	REC6G1-11681-00
4BC MHL/HS	2001-03	REC6E0-11651-00	REC90209-18112		REC6G1-11633-00	REC6G1-11681-00
5C	1985-99	REC6E0-11651-00	REC90209-18112		REC6G1-11633-00	REC6G1-11681-00
5C MHL/MHS	2001-06	REC6E0-11651-00	REC90209-18112	REC90201-12565	REC6G1-11633-00	REC6G1-11681-00
5CS	1987-96	REC650-11651-00	REC90209-20159	REC90201-14377	REC634-11633-00	REC682-11681-00
6C	1990		REC90209-20159	REC90201-14377	REC634-11633-00	REC682-11681-00
6C	1990-98		REC90209-20159	REC90201-14377	REC634-11633-00	REC682-11681-00
6C MHL/HS	2001-06		REC90209-18112	REC90201-14377	REC634-11633-00	REC682-11681-00
6C WHL/HS	2001		REC90209-18112	REC90201-14377	REC634-11633-00	REC682-11681-00

MODELO MODEL MODELLO	AÑOS YEARS ANNI	BIELA CONNEC. ROAD BIELLA 	ARANDELA P. BIELA WASHER DOWN RONDELLA GIÙ BIELLA 	ARANDELA CA. BIELA WASHER UP RONDELLA SU BIELLA 	BULÓN PIN BULONE 	PASAD. PIE BIELA PIN DOW PASSO BIELLA 
6C	1990		REC90209-18112	REC90201-14377	REC634-11633-00	REC682-11681-00
6D	1990-98		REC90209-18112	REC90201-14377	REC634-11633-00	REC682-11681-00
6D MHL/HS	2001-06			REC90201-14377	REC634-11633-00	REC682-11681-00
6D WHS	2001		REC90209-18112	REC90201-14377	REC634-11633-00	REC682-11681-00
8C	1990-98	REC677-11651-00	REC90209-18112	REC90201-14377	REC634-11633-00	REC682-11681-00
8C	1990	REC677-11651-00	REC90209-18112	REC90201-14377	REC634-11633-00	REC682-11681-00
8C MHL/HS	2001-06	REC677-11651-00	REC90209-20159	REC90201-14377	REC634-11633-00	REC682-11681-00
8C MHX	2001-03	REC677-11651-00	REC90209-20159	REC90201-14377	REC634-11633-00	REC682-11681-00
8C WHL7HS	2001-02	REC677-11651-00	REC90209-20159	REC90201-14377	REC634-11633-00	REC682-11681-00
E8D	1997-98	REC6E0-11651-00	REC90209-18112	REC90201-14377	REC634-11633-00	REC682-11681-00
E8D MH	1999	REC6E0-11651-00	REC90209-18112	REC90201-14377	REC634-11633-00	REC682-11681-00
9.9D	1985-89	REC650-11651-00		REC90201-14377	REC634-11633-00	REC682-11681-00
9.9D	1985-95	REC6K4-11651-00		REC90201-14377	REC634-11633-00	REC682-11681-00
9.9D	1990-95	REC6K4-11651-00	REC90209-20159	REC90201-14377	REC634-11633-00	REC648-11681-00
9.9F	1995-99	REC648-11651-00	REC90209-20159	REC90201-14377	REC648-11633-00	REC682-11681-00
9.9F MH	2000	REC648-11651-00	REC90209-20M23	REC90201-14377	REC648-11633-00	REC682-11681-00
9.9F MHL	2001-06	REC648-11651-00	REC90209-20M23	REC90201-14377	REC648-11633-00	REC682-11681-00
9.9F MHS	2001-06	REC648-11651-00	REC90209-20M23	REC90201-14377	REC648-11633-00	REC682-11681-00
9.9F WC	2000	REC648-11651-00	REC90209-22071	REC90201-20M27	REC648-11633-00	REC682-11681-00
9.9F WH	2000	REC689-11651-00	REC90209-24M03	REC90201-20M27	REC689-11633-00	REC689-11681-00
9.9F WHL/HS	2001	REC689-11651-00	REC90209-24M03	REC90201-20M27	REC689-11633-00	REC689-11681-00
13.5A	1999	REC689-11651-00	REC90209-24M03	REC90201-20M27	REC689-11633-00	REC689-11681-00
13.5A MH	2000	REC689-11651-00	REC90209-24M03	REC90201-20M27	REC689-11633-00	REC689-11681-00
13.5A MHL	2001-04	REC689-11651-00	REC90209-24M03	REC90201-20M27	REC689-11633-00	REC689-11681-00
13.5A MHS	2001-04	REC689-11651-00	REC90209-22071	REC90201-14377	REC648-11633-00	REC648-11681-00
13.5A WH	2000	REC648-11651-00	REC90209-22248	REC90201-14377	REC648-11633-00	REC648-11681-00
15D	1985-89	REC648-11651-00	REC90209-22248	REC90201-14377	REC648-11633-00	REC648-11681-00
15D	1985-95	REC648-11651-00	REC90209-22071	REC90201-14377	REC648-11633-00	REC648-11681-00
15D	1990-95	REC648-11651-00	REC90209-22071	REC90201-14377	REC648-11633-00	REC648-11681-00
15F	1995-99	REC648-11651-00	REC90209-24M03	REC90201-20M27	REC689-11633-00	REC689-11681-00
15F MH	2000	REC689-11651-00	REC90209-24M03	REC90201-20M27	REC689-11633-00	REC689-11681-00
15F MHL/HS	2001-06	REC689-11651-00	REC90209-24M03	REC90201-20M27	REC689-11633-00	REC689-11681-00
13.5A MH	2000	REC689-11651-00	REC90209-24M03	REC90201-20M27	REC689-11633-00	REC689-11681-00
13.5A MHL	2001-04	REC689-11651-00	REC90209-24M03	REC90201-20M27	REC689-11633-00	REC689-11681-00
13.5A MHS	2001-04	REC689-11651-00	REC90209-22071	REC90201-14377	REC648-11633-00	REC648-11681-00
13.5A WH	2000	REC648-11651-00	REC90209-22248	REC90201-14377	REC648-11633-00	REC648-11681-00
15D	1985-89	REC648-11651-00	REC90209-22248	REC90201-14377	REC648-11633-00	REC648-11681-00
15D	1985-95	REC648-11651-00	REC90209-22071	REC90201-14377	REC648-11633-00	REC648-11681-00
15D	1990-95	REC648-11651-00	REC90209-22071	REC90201-14377	REC648-11633-00	REC648-11681-00
15F	1995-99	REC648-11651-00	REC90209-24M03	REC90201-20M27	REC689-11633-00	REC689-11681-00
15F MH	2000	REC689-11651-00	REC90209-24M03	REC90201-20M27	REC689-11633-00	REC689-11681-00
15F MHL/HS	2001-06	REC689-11651-00	REC90209-24M03	REC90201-20M27	REC689-11633-00	REC689-11681-00
15F WC	2000	REC689-11651-00	REC90209-24M03	REC90201-20M27	REC689-11633-00	REC689-11681-00
15F WCL	2001-03	REC689-11651-00	REC90209-24M03	REC90201-20M27	REC689-11633-00	REC689-11681-00
15F WCS	2001-02	REC689-11651-00	REC90209-24M03	REC90201-20M27	REC689-11633-00	REC689-11681-00
20C	1985-93	REC689-11651-00	REC90209-24M03	REC90201-20M27	REC689-11633-00	REC689-11681-00
20C	1986-02	REC648-11651-00	REC90209-22071	REC90201-20417	REC648-11633-00	REC648-11681-00
20C	1993	REC6F5-11651-00	REC90209-27M07	REC90201-20417	REC6F5-11633-00	REC66T-11681-00
20C M	1990-97	REC6F5-11651-00	REC90209-27M07	REC90201-20417	REC6F5-11633-00	REC66T-11681-00
20C MH	1998	REC6F5-11651-00	REC90209-27M07	REC90201-20417	REC6F5-11633-00	REC66T-11681-00
20C MHL	2001-02	REC6F5-11651-00	REC90209-27M07	REC90201-20417	REC6F5-11633-00	REC66T-11681-00
20C MHS	2001-02	REC6F5-11651-00	REC90209-27M07	REC90201-20417	REC6F5-11633-00	REC66T-11681-00
20D	1994-98	REC6F5-11651-00	REC90209-27M07	REC90201-20417	REC6F5-11633-00	REC66T-11681-00
20D MHOL	2001-06	REC6F5-11651-00	REC90209-27M07	REC90201-20417	REC6F5-11633-00	REC66T-11681-00
20D MHOS	2001-06	REC6F5-11651-00	REC90209-27M07	REC90201-20417	REC6F5-11633-00	REC66T-11681-00
20D WOL/OS	2006	REC6F5-11651-00	REC90209-27M07	REC90201-20417	REC6F5-11633-00	REC66T-11681-00
25B	1994-02	REC689-11651-00	REC90209-24M03	REC90201-20417	REC663-11633-00	REC689-11681-00
25B MHL/HS	2001-06	REC689-11651-00	REC90209-24M03	REC90201-20417	REC663-11633-00	REC689-11681-00
25B WCS	2001-02	REC689-11651-00	REC90209-24M03	REC90201-20417	REC663-11633-00	REC689-11681-00
25D	1985-01	REC648-11651-00	REC90209-22071	REC90201-20417	REC663-11633-00	REC648-11681-00
25D	1986-87	REC648-11651-00	REC90209-22071	REC90201-20417	REC663-11633-00	REC648-11681-00
25D M	1990-97	REC648-11651-00		REC90201-20417	REC663-11633-00	

MODELO MODEL MODELLO	AÑOS YEARS ANNI	BIELA CONNEC. ROAD BIELLA 	ARANDELA P. BIELA WASHER DOWN RONDELLA GIÙ BIELLA 	ARANDELA CA. BIELA WASHER UP RONDELLA SU BIELLA 	BULÓN PIN BULONE 	PASAD. PIE BIELA PIN DOW PASSO BIELLA 
25D MH	1998	REC648-11651-00				
25D MHL	2001	REC648-11651-00				
25D MHS	2001	REC648-11651-00				
25N	1994-98	REC6G0-11651-00		REC90201-20417	REC6H3-11633-00	
25N MHOL/S	2001-06	REC689-11651-00		REC90201-20417	REC663-11633-00	
25N WOL/WOS	2001-03	REC689-11651-00		REC90201-20417	REC663-11633-00	
25V	1996-98	REC689-11651-00	REC90209-24M03	REC90201-20417	REC663-11633-00	REC689-11681-00
25V MHL/HS	2001	REC689-11651-00	REC90209-24M03	REC90201-20417	REC663-11633-00	REC689-11681-00
25V WCS	2001	REC689-11651-00	REC90209-24M03	REC90201-20417	REC663-11633-00	REC689-11681-00
30A	1985	REC689-11651-00	REC90209-24M03	REC90201-20417	REC663-11633-00	REC689-11681-00
30A M	1990-92	REC689-11651-00	REC90209-24M03	REC90201-20417	REC663-11633-00	REC689-11681-00
30D	1986-00	REC689-11651-00		REC90201-20417	REC663-11633-00	
30D EOL/EOS	2001-06	REC689-11651-00		REC90201-20417	REC663-11633-00	
30D ETOL	2001-06	REC689-11651-00		REC90201-20417	REC663-11633-00	
30D MHOL	2001-06	REC689-11651-00		REC90201-20417	REC663-11633-00	
30D MHOS	2001-05	REC689-11651-00		REC90201-20417	REC663-11633-00	
30D OL	2001-03	REC689-11651-00		REC90201-20417	REC663-11633-00	
30D EOS	2001-06			REC90201-23M01	REC6R5-11633-00	
40G/J	1986-89	REC6F5-11651-00	REC90209-27M11		REC6F5-11633-00	REC6F5-11681-00
40R ROS	2001			REC90201-23M01	REC6R5-11633-00	
40V	1994-99	REC6H4-11651-00		REC90201-23M01	REC6R5-11633-00	
40V EO	2000	REC6E5-11651-00		REC90201-23M01	REC6R5-11633-00	
40V EOL/EOS	2001-06			REC90201-23M01	REC6R5-11633-00	
40V ETO	2000	REC6E5-11651-00			REC6E5-11633-00	
40V ETOL	2001-03	REC6E5-11651-00				
40V ETOS	2001-03	REC6E5-11651-00				
40V MHOL	2001-06	REC6E5-11651-00			REC6E5-11633-00	
40V MHOS	2001-06			REC90201-23M01	REC6R5-11633-00	
40V MO	2000			REC90201-23M01	REC6R5-11633-00	
40V MOS	2002-05			REC90201-23M01	REC6R5-11633-00	
40X	1998	REC6F5-11651-00	REC90209-27M07	REC90201-23M01	REC6F5-11633-00	REC667-11681-00
40X MH	2000	REC6F5-11651-00	REC90209-27M07	REC90201-23M01	REC6F5-11633-00	REC66T-11681-00
40X MHL	2001-06	REC6F5-11651-00	REC90209-27M07	REC90201-23M01	REC6F5-11633-00	REC66T-11681-00
40X MHS	2001-02	REC6F5-11651-00	REC90209-27M07	REC90201-23M01	REC6F5-11633-00	REC66T-11681-00
40X W	2000	REC6F5-11651-00	REC90209-27M07	REC90201-23M01	REC6F5-11633-00	REC66T-11681-00
40X WL	2001	REC6F5-11651-00	REC90209-27M07	REC90201-23M01	REC6F5-11633-00	REC66T-11681-00
40X WS	2001	REC6E5-11651-00	REC90209-27M07		REC6F5-11633-00	REC66T-11681-00
40X WT	2000	REC6E5-11651-00	REC90209-27M07	REC90201-23M01	REC6F5-11633-00	REC66T-11681-00
40X WTL	2001-03		REC90209-27M07	REC90201-23M01	REC6F5-11633-00	REC66T-11681-00
40Y ETOL	2001-06			REC90201-23M01	REC6R5-11633-00	
40Y MHOS	2001-06			REC90201-23M01	REC6R5-11633-00	
40GM,W,J	2003-04	REC6F5-11651-00	REC90209-27M07	REC27-90209-27M07	REC6F5-11633-00	REC6F5-11681-00
50D	1984-87			REC90201-23M01	REC6R5-11633-00	
50G	1993-98	REC6H4-11651-00	REC90209-24M03		REC648-11633-00	REC6G0-11681-00
50G ETO	2000	REC6E5-11651-00	REC90209-24M03	REC90201-23M01	REC648-11633-00	REC6G0-11681-00
50G ETOL	2001-06		REC90209-24M03	REC90201-23M01	REC648-11633-00	REC6G0-11681-00
50H	1994-99	REC6H4-11651-00	REC90209-24M03	REC90201-23M01	REC648-11633-00	REC6G0-11681-00
50H EDO	2000	REC6H4-11651-00	REC90209-24M03	REC90201-23M01	REC648-11633-00	REC6G0-11681-00
50H EDOL	2001-02	REC6H4-11651-00	REC90209-24M03	REC90201-23M01	REC648-11633-00	REC6G0-11681-00
50H EDOS	2001-02	REC6E5-11651-00	REC90209-24M03		REC648-11633-00	REC6G0-11681-00
50H MDO	2000	REC6E5-11651-00	REC90209-24M03	REC90201-23M01	REC648-11633-00	REC6G0-11681-00
50H MO	2000		REC90209-24M03	REC90201-23M01	REC648-11633-00	REC6G0-11681-00
55B	1993-98	REC688-11651-00		REC90201-23M01	REC6R5-11633-00	
70B ETOL	2001-06	REC6E5-11651-00		REC90201-23M01	REC6R5-11633-00	
75A	1993-98	REC688-11651-00		REC90201-23M01	REC6R5-11633-00	
75A E	1990-00	REC688-11651-00		REC90201-23M01	REC6R5-11633-00	
75A EDL	2001-06	REC688-11651-00		REC90201-23M01	REC6R5-11633-00	
75A EM	1992	REC688-11651-00		REC90201-23M01	REC6R5-11633-00	
75A ET	2000	REC688-11651-00				
75A ETL	2001-02	REC688-11651-00				
75A MHD	2000	REC688-11651-00				
75C	1998	REC688-11651-00				

MODELO MODEL MODELLO	AÑOS YEARS ANNI	BIELA CONNEC. ROAD BIELLA 	ARANDELA P. BIELA WASHER DOWN RONDELLA GIÙ BIELLA 	ARANDELA CA. BIELA WASHER UP RONDELLA SU BIELLA 	BULÓN PIN BULONE 	PASAD. PIE BIELA PIN DOW PASSO BIELLA 
75C ETO	2000	REC688-11651-00				
75C ETOL	2001-06	REC688-11651-00				
80A	1985-96	REC688-11651-00				
85A	1996-98	REC688-11651-00				
85A E	1990-00	REC688-11651-00				
85A ET	2000	REC688-11651-00				
85A ETL	2001-02	REC688-11651-00				
90A	1984-98	REC688-11651-00				
90A ETO	2000-00	REC688-11651-00				
90A ETOL	2001-06	REC688-11651-00				
V4-V6 BULÓN 21.5		REC6E5-11651-00				
V4-V6 BULÓN 23		REC6R5-11651-00				
E60 ELHB	2003					REC6K5-11681-00
E60HMHD	2003					REC6K5-11681-00
225 AET	1986				REC6E5-11633-00	
115 B	1988-90				REC6K7-11633-00	
115BE-T	1991-92				REC6KT-11633-00	
140 BETO	1988-89				REC6KT-11633-00	
150 AETO	1988-89				REC6KT-11633-00	
200-225 BETO	1990-92				REC6KT-11633-00	
175 BETO	1990-92				REC6KT-11633-00	



JUNTA DE CULATA GASKET CYLINDER HEAD GUARNIZIONE TESTATA

Ref. R.O.
REC6F8-11181-A0 6F8-11181-A1
MOTORES / ENGINES / MOTORI
2CMH (2010)



Ref. R.O.
REC677-11181-A0 677-11181-A1
MOTORES / ENGINES / MOTORI
E8D/DMH (1997-03)



Ref. R.O.
REC63V-11181-A1 63V-11181-A1
MOTORES / ENGINES / MOTORI
9.9F/MH/MSH E15D
E9.9D 13.5 AWH/AMH (1995+)
15F/FMH/MSH



Ref. R.O.
REC6E7-11181-00 6E7-11181-A2
MOTORES / ENGINES / MOTORI
9.9D
15D (1988-96)



Ref. R.O.
REC6L2-11181-A1 6L2-11181-A3
MOTORES / ENGINES / MOTORI
20D/M
25D/M/N (1988+)



Ref. R.O.
REC695-11181-00 695-11181-A1
MOTORES / ENGINES / MOTORI
20C
25D (1986-02)



Ref. R.O.
REC6H3-11181-A0 6H3-11181-A2
MOTORES / ENGINES / MOTORI
25B E60
50G 60FE
60T 70B/ET/CE (1984+)



Ref. R.O.
REC6H4-11181-00 6H4-11181-A2
MOTORES / ENGINES / MOTORI
25Q
40N/H
50E/D (1984-94)



Ref. R.O.
REC61N-11181-00 61N-11181-A2
MOTORES / ENGINES / MOTORI
25VE/VM 30G
E25A/BMH E30HMH/H (1996-12)



Ref. R.O.
REC689-11181-00 689-11181-A2
MOTORES / ENGINES / MOTORI
30A (1990-92)



Ref. R.O.
REC6J8-11181-00 6J8-11181-A2
MOTORES / ENGINES / MOTORI
30D
25J (1986+)



Ref. R.O.
REC6F5-11181-A2 6F5-11181-A2
MOTORES / ENGINES / MOTORI
40GWH/JWH
E40GMH/JMH (2003)



Ref.	R.O.
REC63D-11181-A1	63D-11181-A2

MOTORES / ENGINES / MOTORI
40V 50H/TLR/TR
C40/EL/TLR/Y (1995+)



Ref.	R.O.
REC6R7-11181-A0	6R7-11181-A1

MOTORES / ENGINES / MOTORI
40G (1993)



Ref.	R.O.
REC676-11181-01	676-11181-A2

MOTORES / ENGINES / MOTORI
40QE/QM/QWC (1990-98)



Ref.	R.O.
REC66T-11181-00	66T-11181-A0

MOTORES / ENGINES / MOTORI
40X
E40X/M (1998-09)



Ref.	R.O.
REC697-11181-A1	697-11181-A2

MOTORES / ENGINES / MOTORI
E55CMH 55BET
E48CMH 55B/BE/BM (1990-05)



Ref.	R.O.
REC688-11181-A1	688-11181-A2

MOTORES / ENGINES / MOTORI
75A/AE/CET 85A/AE
80A/AE 90A/AE/TR (1986-14)



Ref.	R.O.
REC6E5-11181-A0	6E5-11181-A2

MOTORES / ENGINES / MOTORI
100A C115T 130B
115A/E/B/C 140A (1984+)



Ref.	R.O.
REC6G5-11181-A2	6G5-11181-A3

MOTORES / ENGINES / MOTORI
150A/E/C/AET
175AET/B/D
200AET/B/C/FETGE
225AET/BETO/D



Ref.	R.O.
REC60V-11181-00	60V-11181-00

MOTORES / ENGINES / MOTORI
Z250
VZ250
LZ250 (2003-07)



Ref.	R.O.
REC68F-11181-00	68F-11181-00

MOTORES / ENGINES / MOTORI
ZVZ/LZ200 (2001-07)
ZVZ/LZ150 (2000-07)
ZVZ175 (2001-07)



Ref.	R.O.
REC6D0-11181-00	6D0-11181-00

MOTORES / ENGINES / MOTORI
VZL/ZLZ300 (2004-007)



4
TIEMPOS
STROKES

JUNTA DE CULATA
GASKET CYLINDER HEAD
GUARNIZIONE TESTATA

Ref.	R.O.
PAF2.6-0400001	69M-11181-00

MOTORES / ENGINES / MOTORI
F2.5 (2003+)



Ref.	R.O.
PAF4-04000014	67D-11181-A0

MOTORES / ENGINES / MOTORI
F4 (1998-2009)



Ref.	R.O.
REC6G8-11181-A1	6G8-11181-A1

MOTORES / ENGINES / MOTORI
F8/9.9 (1985-96)



Ref.	R.O.
PAF15-07000100	66M-11181-10

MOTORES / ENGINES / MOTORI
F9.9/13.5/15 (1998-08)



Ref.	R.O.
REC6AG-11181-00	6AG-11181-00

MOTORES / ENGINES / MOTORI
F9.9/15/20 (2007+)



Ref.	R.O.
REC6BL-11181-00	6BL-11181-00

MOTORES / ENGINES / MOTORI
F20/25
FT25
T25 (2009+)



Ref.	R.O.
PAF25-05040000	65W-11181-30

MOTORES / ENGINES / MOTORI
F20/25
T25
F45/50 (1998-09)



Ref.	R.O.
REC67C-11181-01	67C-11181-01

MOTORES / ENGINES / MOTORI
F30/40 (2000-09)



Ref.	R.O.
REC6BG-11181-00	6BG-11181-00

MOTORES / ENGINES / MOTORI
F30/40 (2009+)

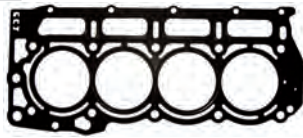


YAMAHA

RECAMBIOS
MARINOS S.L.

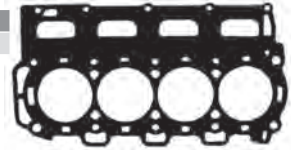
Ref. R.O.
REC6CJ-11181-00 6CJ-11181-00

MOTORES / ENGINES / MOTORI
F40GE/70 (2011+)



Ref. R.O.
REC67F-11181-03 67F-11181-03

MOTORES / ENGINES / MOTORI
F75/80/100/115 (1999+)



Ref. R.O.
REC63P-11181-00 63P-11181-00

MOTORES / ENGINES / MOTORI
F150
FL150 (2004+)



Ref. R.O.
REC6P2-11182-00 6P2-11182-00 (PORT)

MOTORES / ENGINES / MOTORI
F200/225/250
FL-LF 200/225/250 (2006-13)



Ref. R.O.
REC6P2-11181-00 6P2-11181-00 (STB)

MOTORES / ENGINES / MOTORI
F200/225/250
FL-LF 200/225/250 (2006-13)



Ref. R.O.
REC69J-11182-03 69J-11182-03 (PORT)

MOTORES / ENGINES / MOTORI
F200/225
FL200/225 (2002-07)



Ref. R.O.
REC69J-11181-03 69J-11181-03 (STB)

MOTORES / ENGINES / MOTORI
F200/225
FL200/225 (2002-07)



Ref. R.O.
REC6DA-11181-00 6DA-11181-00

MOTORES / ENGINES / MOTORI
F175/200
FL200 (2013+)



Ref. R.O.
REC6CB-11181-00 6CB-11181-00

MOTORES / ENGINES / MOTORI
F225/250/300
LF-FL225/250/300 (2011+)



Ref. R.O.
REC6AW-11181-00 6AW-11181-00 (PORT)

MOTORES / ENGINES / MOTORI
F300/FL300 (2008+)



Ref. R.O.
REC6AW-11182-00 6AW-11182-00 (STB)

MOTORES / ENGINES / MOTORI
F300
FL300 (2008+)



KIT DE JUNTA DE CULATA GASKET KITS KIT GUARNIZIONI TESTATA

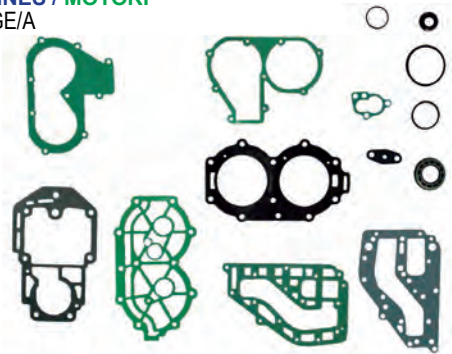
Ref. R.O.
REC63V-W0001-00 63V-W0001-01

MOTORES / ENGINES / MOTORI
9.9-15F/FMH/FEMH/MSH (1995-00)
13.5AWH (1998)



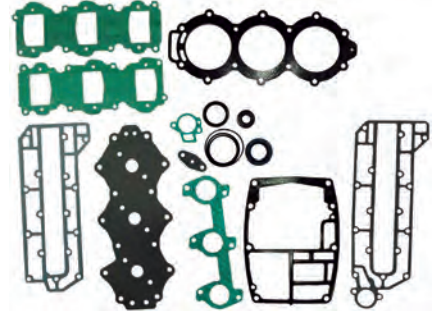
Ref. R.O.
REC61T-W0001-02 61T-W0001-02

MOTORES / ENGINES / MOTORI
E25A, 25VM, 30G/GE/A



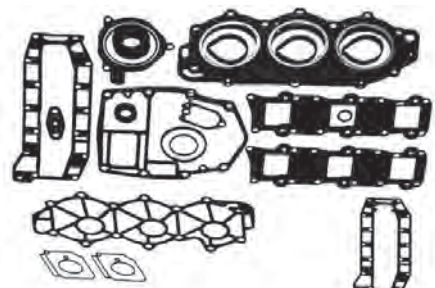
Ref. R.O.
REC6H3-W0001-02 6H3-W0001-02

MOTORES / ENGINES / MOTORI
25B/BETO (1994-95)
50G/GEO/GETOL (1994-98)
60FEO/FETO/FEDO/TLR/FEHTO/TR (1994-2007)



Ref. R.O.
REC6H4-W0001-04 6H4-W0001-04

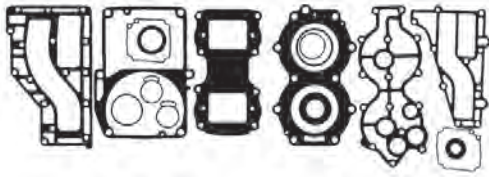
MOTORES / ENGINES / MOTORI
25QEO (1992-94)
40HE (1992-94)
50DE/DEMTO (1992-94)



Ref. R.O.
REC6L2-W0001-03-00 6L2-W0001-A2

MOTORES / ENGINES / MOTORI

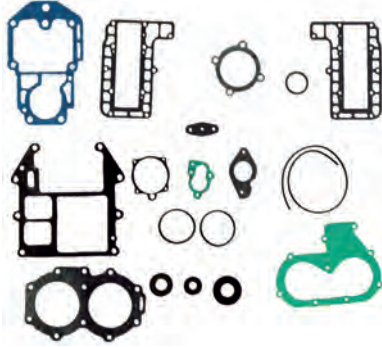
25NE (1988-93) 25NEMO (1991-92)
 20DM (1988-93) 20D/DEO (1989-92)



Ref. R.O.
REC695-W0001-A2 695-W0001-01

MOTORES / ENGINES / MOTORI

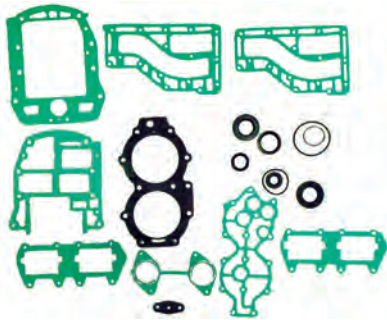
25D/DE (1985-92)
 20CM/C (1985-92)



Ref. R.O.
REC6R6-W0001-02-00-00 6R6-W0001-02

MOTORES / ENGINES / MOTORI

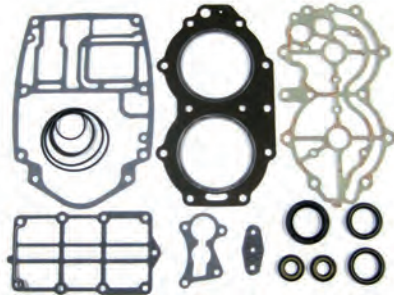
40QE-2 (1995-97)
 40QM (1996)
 40QWC (1998)



Ref. R.O.
REC66T-W0001-01 66T-W0001-01

MOTORES / ENGINES / MOTORI

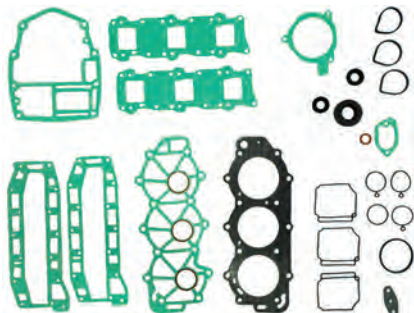
E40X/XMH/XW/
 MLHZ (2001-13)



Ref. R.O.
REC6H4-W0001-A1 6H4-W0001-01

MOTORES / ENGINES / MOTORI

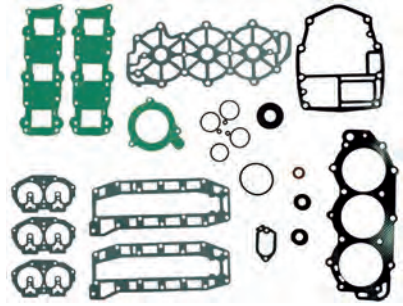
40N (1984)
 40H (1985-98)
 50D (1985-98)
 50ETN (1984)



Ref. R.O.
REC63D-W0001-00 63D-W0001-00

MOTORES / ENGINES / MOTORI

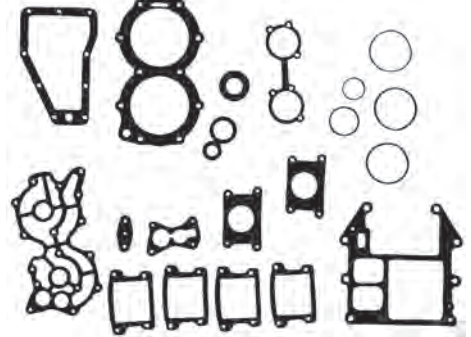
50H/HRDO/HMDH/HETO (1995-03)
 40V/VMH/VETO/MLH/MHO/VE/VEO (1995-13)
 40VEMHD/TLRZ/YETO (1997-07)
 C40T/TLR (1995-02)



Ref. R.O.
REC697-W0001-02 697-W0001-A0

MOTORES / ENGINES / MOTORI

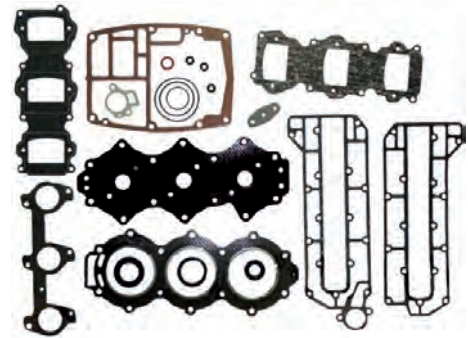
55BET (1990)



Ref. R.O.
REC6K5-W0001-02 6K5-W0001-02

MOTORES / ENGINES / MOTORI

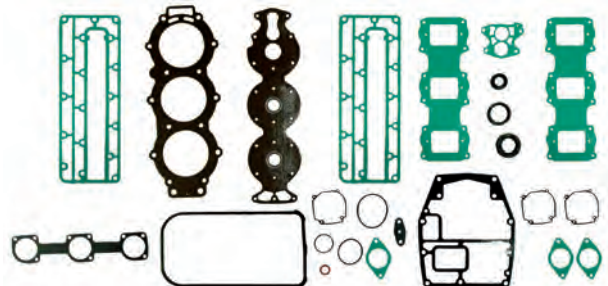
E60H/MHZ/HE/HM (1996-02)



Ref. R.O.
REC688-W0001-A0 688-W0001-A0

MOTORES / ENGINES / MOTORI

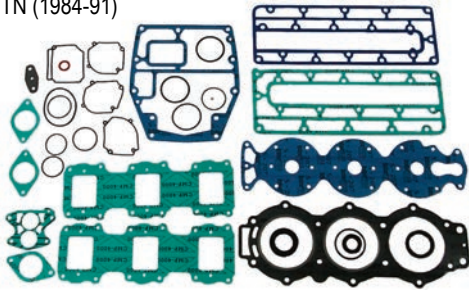
75A/AE (1990-91)
 85A/AE (1990-91)



Ref. R.O.
REC6H1-W0001-00 6H1-W0001-A1

MOTORES / ENGINES / MOTORI

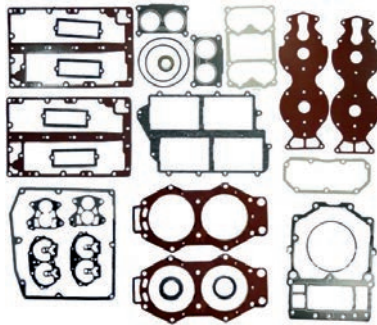
80A/AE (1984-91)
 80AEO (1992-93)
 90A/AEO/AETO/ETN (1984-91)
 90AEO (1992)



Ref. R.O.
REC6E5-W0001-A2 6E5-W0001-A2

MOTORES / ENGINES / MOTORI

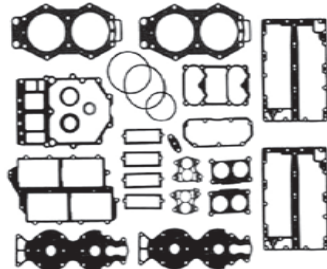
L130BETO (1991-99)
 115CEO/CETO (1991-96)
 100A/AETO/TLR (1996-00)



Ref. R.O.
REC6F3-W0001-04-00 6F3-W0001-A4

MOTORES / ENGINES / MOTORI

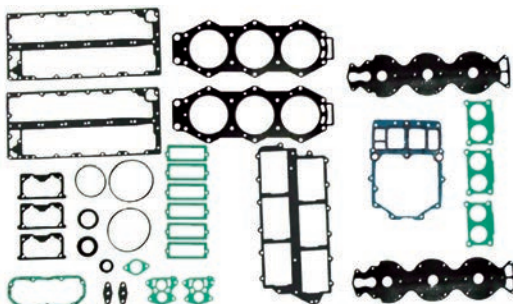
115BETO (1991-93)
 115B (1988-00)
 115ETN (1984)
 115A (1987)
 140AETO/BETO (1984-89)
 115BE (1992)



Ref. R.O.
REC6R3-W0001-03 6R3-W0001-A3

MOTORES / ENGINES / MOTORI

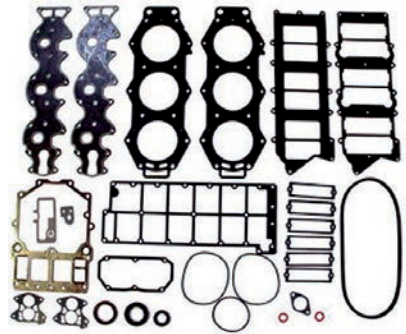
L/150 CETO (1990-95) L200ETD (1990)
 L/200 BETO (1993-95) 150CED/ETD (1990)
 175BETO/ET (1990-95) 200ET (1990)



Ref. R.O.
REC68F-W0001-01 68F-W0001-01

MOTORES / ENGINES / MOTORI

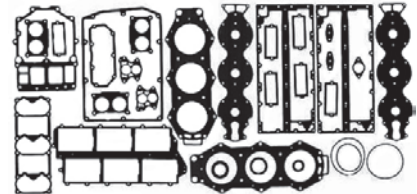
LZ200 (2204-10)
 VZ200 (2004)
 Z200 (2004-10)
 Z
 VZ200TLRC/PETO/TLR2D/PETOL/TXRC/
 NETO-L/TR/NETOX/Z175GETO/GETOX/TR/TXR (2004-07)



Ref. R.O.
REC6G5-W0001-A3 6G5-W0001-03

MOTORES / ENGINES / MOTORI

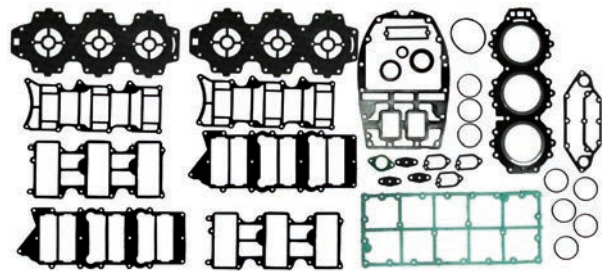
200CETO (1992-93)
 PROV200 (1991-94)
 225BET/BETO (1991-95)
 150A/AETO/AETL/AETX (1998-02)



Ref. R.O.
REC61A-W0001-01 61A-W0001-A1

MOTORES / ENGINES / MOTORI

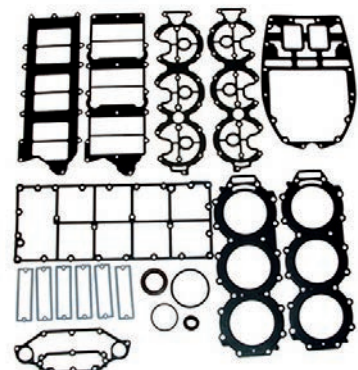
250ETD (1990)
 250AETO/AET/B (1990-96)
 L250A/AET/AETO (1992-96)
 225C (1994-95)
 L225CETO (1994)

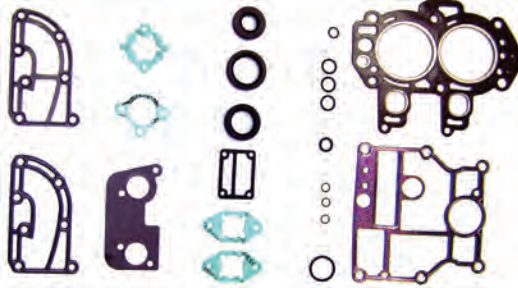
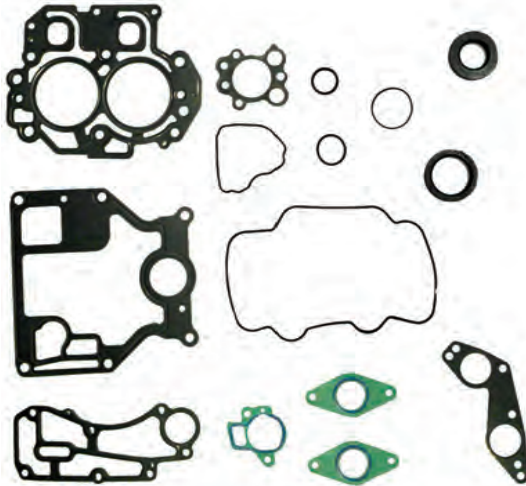
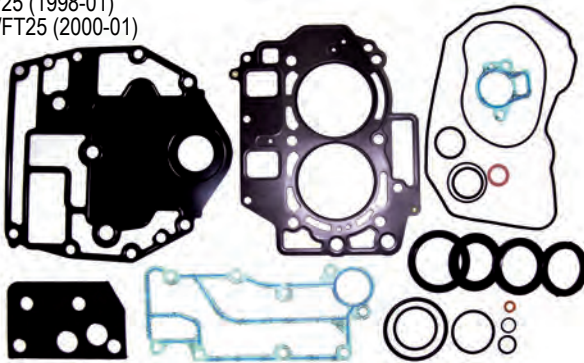
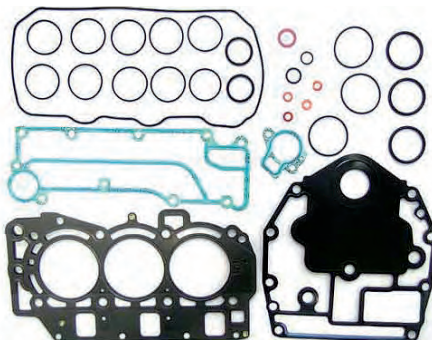
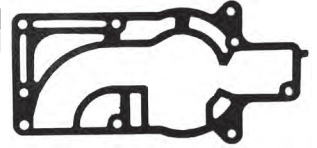
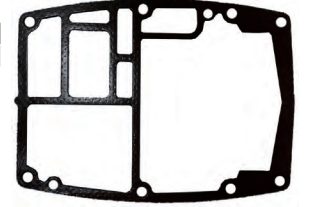
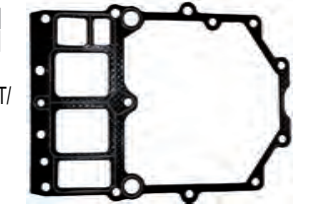


Ref. R.O.
REC6D0-W0001-00 6D0-W0001-00

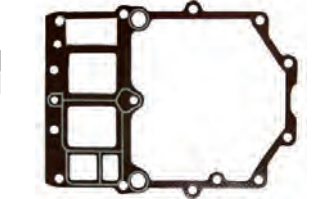
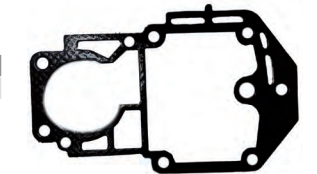
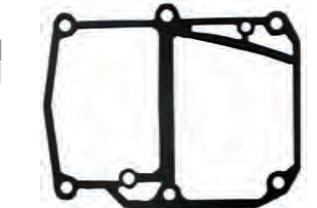
MOTORES / ENGINES / MOTORI

Z300AETO/TR
 LZ300AETO/TR (2004-07)

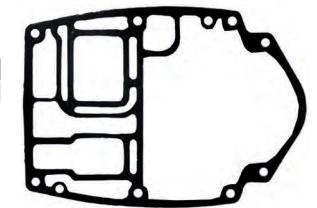


4
STROKES
TEMPOS**KIT DE JUNTA DE CULATA
GASKET KITS
KIT GUARNIZIONI TESTATA**Ref. R.O.
REC6G8-W0001-A3 6G8-W0001-A3**MOTORES / ENGINES / MOTORI**F9.9 (1996-99)
F8BM (1996-99)Ref. R.O.
REC66M-W0001-01 66M-0001-01**MOTORES / ENGINES / MOTORI**F15 (2001-04) FT 9.9/T9.9 (2001-04)
F13.5 (2002-04) F9.9 (2001-04)Ref. R.O.
REC65W-W0001-00 65W-W0001-00**MOTORES / ENGINES / MOTORI**F20/25 (1998-01)
T25/FT25 (2000-01)Ref. R.O.
REC67C-W0001-01 67C-W0001-00/01**MOTORES / ENGINES / MOTORI**F30 ALL
F40ALL (2000-09)**2**
STROKES
TEMPOS**JUNTA BASE MOTOR
GASKET CYLINDER
GUARNIZIONI BASE MOTORI**Ref. R.O.
REC6E0-45113-A1 6E0-45113-A1**MOTORES / ENGINES / MOTORI**4A/AC/AS/MSH
5C/CS/CMHRef. R.O.
REC6H3-45113-00 6H3-45113-A0**MOTORES / ENGINES / MOTORI**60FE/TLR/F,
50G/GE
E60H
70B/BE/CE/TRRef. R.O.
REC6G5-45113-A1 6G5-45113-A2**MOTORES / ENGINES / MOTORI**115ETN/A/B 200ETN/AET/CET/BET/
130BE AF/G
150ETN/AET/CET/F/ 220AET
TXR/G 225AET/BET/D
140AET/BET
175AET/BET/DE
150BETRef. R.O.
REC6F5-45113-A0 6F5-45113-A0**MOTORES / ENGINES / MOTORI**

E40G/E40J/40G/40J/40Q

Ref. R.O.
REC6E5-45113-A2 6E5-45113-A0**MOTORES / ENGINES / MOTORI**115B/ET
140AE/BERef. R.O.
REC61T-45113-A0 61T-45113-A0**MOTORES / ENGINES / MOTORI**25VE/BMH
30G/HWRef. R.O.
REC63V-45113-A1 63V-45113-A1**MOTORES / ENGINES / MOTORI**9.9FEM/F/MSH/FMH/MH
13.5 AW/AMH
15F/FEM/MSH/FMH/MHRef. R.O.
REC66T-45113-A0 66T-45113-A0**MOTORES / ENGINES / MOTORI**

40X/E40X

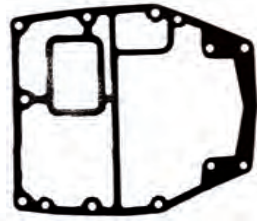
Ref. R.O.
REC677-45113-A0**MOTORES / ENGINES / MOTORI**

E8D/DMH

**YAMAHA****RECAMBIOS
MARINOS S.L.**

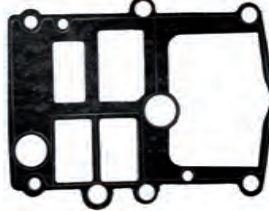
Ref.	R.O.
REC688-45113-A0	688-45113-A0

MOTORES / ENGINES / MOTORI
75A/AE/CE/TL
85A/AE
80A/AE
90A/AE/ETN



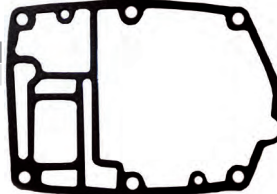
Ref.	R.O.
REC682-11351-A0	682-11351-A0

MOTORES / ENGINES / MOTORI
9,9D
15D



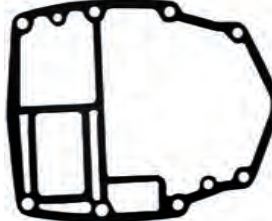
Ref.	R.O.
REC6J8-45113-00	6J8-45113-A0

MOTORES / ENGINES / MOTORI
25J
30D/DMH/DE/E/M



Ref.	R.O.
REC6H4-45113-00	6H4-45113-A0

MOTORES / ENGINES / MOTORI
25Q
40N/H/E/V/T/Y
50D/H/T



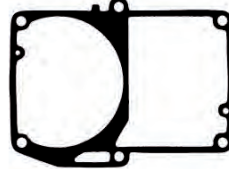
Ref.	R.O.
REC696-45113-00	696-45113-A0

MOTORES / ENGINES / MOTORI
55B/E55
E48



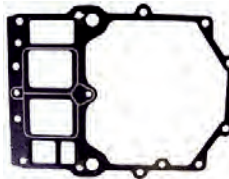
Ref.	R.O.
REC6L2-45113-A2	6L2-45113-A1

MOTORES / ENGINES / MOTORI
20D
25D/N/M



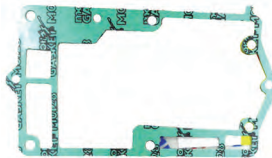
Ref.	R.O.
REC68F-45113-01	68F-45113-01

MOTORES / ENGINES / MOTORI
Z/VZ150 150F/A
Z/ VZ175 Z200
VZ-Z200/200A/F/J

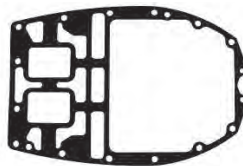


Ref.	R.O.
REC6G1-45113-A1	6G1-45113-A1

MOTORES / ENGINES / MOTORI
8N/C/J/T/M
6C/J/D/T/M

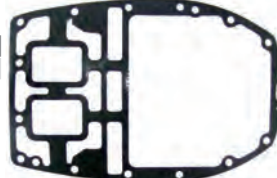


Ref.	R.O.
REC60V-45113-02	60V-45113-02



Ref.	R.O.
REC61A-45113-A0	61A-45113-A0

MOTORES / ENGINES / MOTORI
Z/VZ250
Z300



Ref.	R.O.
REC6AH-11351-00	6AH-11351-00

MOTORES / ENGINES / MOTORI
F9,9 (2009-13)
F13,5 (2007-09)
F15 (2007-13)
F20 (2007-13)

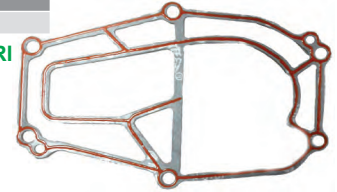


4 TIEMPOS
STROKES

JUNTA BASE MOTOR
GASKET CYLINDER
GUARNIZIONI BASE MOTORI

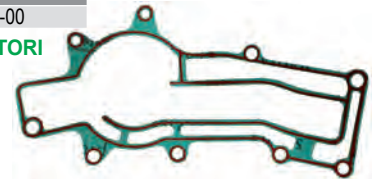
Ref.	R.O.
PAF2.6-00000003	69M-45113-A0

MOTORES / ENGINES / MOTORI
F2,5



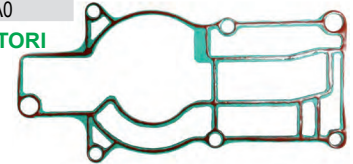
Ref.	R.O.
PAF6-00000001	6BX-45113-00

MOTORES / ENGINES / MOTORI
F4/F5/F6



Ref.	R.O.
PAF4-00000006	67D-45113-A0

MOTORES / ENGINES / MOTORI
F4



Ref.	R.O.
PAF15-00000014	66M-11351-10

MOTORES / ENGINES / MOTORI
T/FT9,9
F9,9
F15
F13,5



Ref.	R.O.
REC6G8-11351-A0	6G8-11351-A0

MOTORES / ENGINES / MOTORI
T/FT 9.9
F9,9
F8



Ref.	R.O.
PAF25-00000013	65W-11351-10

MOTORES / ENGINES / MOTORI
F20
F25
T/FT25



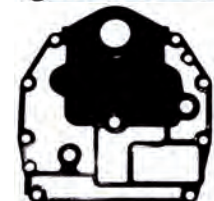
Ref.	R.O.
REC6AH-11351-00	6AH-11351-10

MOTORES / ENGINES / MOTORI
F9,9
F13,5
F15
F20



Ref.	R.O.
REC67C-11351-00	67C-11351-01

MOTORES / ENGINES / MOTORI
F40 T/FT60
T/FT50 F30
F50 F60



Ref.	R.O.
REC68V-11351-00	68V-11351-00

MOTORES / ENGINES / MOTORI

F75 F115
F80 F100
F90



Ref.	R.O.
REC69J-11351-11	69J-11351-11

MOTORES / ENGINES / MOTORI

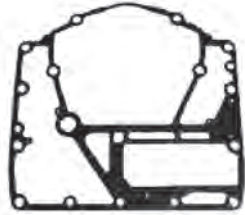
F200
F225
F250



Ref.	R.O.
REC63P-11351-01	63P-11351-01

MOTORES / ENGINES / MOTORI

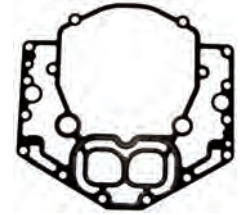
F150
F175
F200



Ref.	R.O.
REC6AW-11351-00	

MOTORES / ENGINES / MOTORI

F300
F350



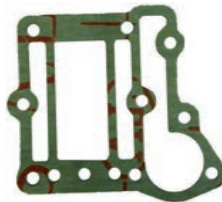
GUÍA JUNTAS MOTOR
ENGINE GASKET GUIDE
GUIDA GUARNIZIONE MOTORE

MODELO MODEL MODELLO	AÑO YEAR ANNO	CIL. CYL. CIL.	JUNTA CULATA GASKET CYL. HEAD GUARNIZIONE TESTATA	KIT JUNTAS SUP. MOTOR GASKET ENGINE KIT GUARN. PARTE ALTA MOTORE	JUNTA BASE MOTOR GASKET CYLINDER GUARN. PARTE BASSA MOTORE
2CMH	2010	1	REC6F8-11181-A1		
E8D/DMH	1997-03	2	REC677-11181-A0		REC677-45113-A0
9.9D	1988-96	2	REC6E7-11181-00	REC6E7-W0001-A1	REC6E7-45113-A0
9.9F/FM/MSH/E9.9D	1995+	2	REC63V-11181-A1	REC63V-W0001-02	REC63V-45113-A1
13.5AWH/AMH	1995+	2	REC63V-11181-A1	REC63V-W0001-02	REC63V-45113-A1
15D	1988-95	2	REC6E7-11181-00	REC6E7-W0001-A1	REC6E7-45113-A0
15F/FMH/MSH/E15D	1995+	2	REC63V-11181-A1	REC63V-W0001-02	REC63V-45113-A1
20C	1986-02	2	REC695-11181-00	REC695-W0001-02	REC689-45113-A1
20D/20DM	1988+	2	REC6L2-11181-A1	REC6L2-W0001-03-00	REC6L2-45113-A2
25DE/M/N	1998+	2	REC6L2-11181-A1	REC6L2-W0001-03-00	REC6L2-45113-A2
25DE/M/N	1986-02	2	REC695-11181-00	REC695-W0001-02	REC689-45113-A1
25VE/VM/BMH/E25A	1996-12	2	REC61N-11181-00	REC61T-W0001-02	REC61T-45113-A0
25Q/QEO	1990-94	3	REC6H4-11181-00	REC6H4-W0001-A1	REC6H4-45113-00
25J/JEO/JETO	1987-99	3	REC6J8-11181-00		REC6J8-45113-00
25B/BETO	1994-95	3	REC6H3-11181-A0	REC6H3-W0001-02	REC6H3-45113-00
25B/BMH	1996-10	2	REC61N-11181-00	REC61T-W0001-02	REC61T-45113-A0
30A	1990-92	2	REC689-11181-02	REC61T-W0001-02	REC689-45113-A1
30G/E30HMH/H	1996-12	2	REC61N-11181-00	REC61N-W0001-02	REC61T-45113-A0
30D	1986+	3	REC6J8-11181-00		REC6J8-45113-00
40QE/QM/QWC	1990-98	2	REC676-11181-01	REC6R6-W0001-02-00	REC6F5-45113-A0
40N/H	1984-94	3	REC6H4-11181-00	REC6H4-W0001-A1	REC6H4-45113-00
40G	1993	2	REC6R7-11181-A0	REC6R6-W0001-02-00	REC6F5-45113-A0
40X/E40/M/X	1998+	2	REC66T-11181-00	REC66T-W0001-01	REC66T-45113-A0
40/E40GMH/JMH	2003	2	REC6F5-11181-A2	REC6F6-W0001-02	REC6F5-45113-A0
40V/C40/EL/TLR/Y-YE	1995 +	3	REC63D-11181-A1	REC63D-W0001-00	REC6H4-45113-A0
E48	2003	2	REC697-11181-A1	REC697-W0001-02	REC696-45113-00
50H/TLR/TR	1995 +	3	REC63D-11181-A1	REC63D-W0001-00	REC6H4-45113-A0
50G/GEO/GETO	1993-02	3	REC6H3-11181-A0	REC6H3-W0001-02	REC6H3-45113-00
50E/D	1984-94	3	REC6H4-11181-00	REC6H4-W0001-A1	REC6H4-45113-00
55B/E55	1990-05	2	REC697-11181-A1	REC697-W0001-02	REC697-45114-00
60FE/T/E60	1984+	3	REC6H3-11181-A0	REC6H3-W0001-02	REC6H3-45113-00
70B/ET/CE	1984+	3	REC6H3-11181-A0	REC6H3-W0001-02	REC6H3-45113-00
70A/AE/CET	1986+	3	REC688-11181-A1	REC688-W0001-02	REC688-45113-A0
80A/AE	1986+	3	REC688-11181-A1	REC688-W0001-02	REC688-45113-A0
85A/AE	1986+	3	REC688-11181-A1	REC688-W0001-02	REC688-45113-A0
90A/AE/TR	1986+	3	REC688-11181-A1	REC688-W0001-02	REC688-45113-A0
100A	1984+	4	REC6E5-11181-A0	REC6E5-W0001-A2	REC6E5-45113-A2
115A/B/E/C/C115T	1984+	4	REC6E5-11181-A0	REC6E5-W0001-A2	REC6E5-45113-A2
130B	1984+	4	REC6E5-11181-A0	REC6E5-W0001-A2	REC6E5-45113-A2
140A	1984+	4	REC6E5-11181-A0	REC6E5-W0001-A2	REC6E5-45113-A2
LZ150/VZ150/Z150	2004-05	6	REC68F-11181-00	REC68F-W0001-01	REC68F-45113-00
150A/E/C/FET	1984-10	6	REC6G5-11181-A2	REC6G5-W0001-03	REC6G5-45113-A1
VZ175/Z175	2004-10	6	REC68F-11181-00	REC68F-W0001-01	REC68F-45113-00
175D/B/AET	1984-10	6	REC6G5-11181-A2	REC6G5-W0001-03	REC6G5-45113-A1
LZ200/VZ200/Z200	2004-10	6	REC68F-11181-00	REC68F-W0001-01	REC68F-45113-00
200B/C/AET/GE/FET	1984+	6	REC6G5-11181-A2	REC6G5-W0001-03	REC6G5-45113-A1
225D/BET/AET	1984+	6	REC6G5-11181-A2	REC6G5-W0001-03	REC6G5-45113-A1
225C/G	1990+	6	REC61A-11181-A0	REC61A-W0001-01	REC61A-45113-A0
250A/E/B	1990-06	6	REC61A-11181-A0	REC61A-W0001-01	REC61A-45113-A0
Z-LZ250DET/TUR/TR	2003-07	6	REC60V-11181-00		REC60V-45113-02
250TR/FET/HETO	2003-07	6	REC60V-11181-00		REC60V-45113-02
V250TLR/TR	2003+	6	REC60V-11181-00		REC60V-45113-02
Z-LZ300	2004-07	6	REC6D0-11181-00	REC6D0-W0001-00	REC60V-45113-00

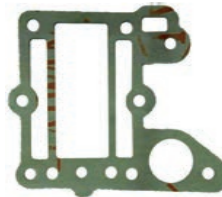
MODELO MODEL MODELLO	AÑO YEAR ANNO	CIL. CYL. CIL.	JUNTA CULATA GASKET CYL. HEAD GUARNIZIONE TESTATA	KIT JUNTAS SUP. MOTOR GASKET ENGINE KIT GUARN. PARTE ALTA MOTORE	JUNTA BASE MOTOR GASKET CYLINDER GUARN. PARTE BASSA MOTORE
F2.6A/M	2003+	1	PAF2.6-04000001		PAF2.6-00000003
F4A/M	1998+	1	PAF4-04000014		PAF4-00000006
F8A/B	1985-99	2	REC6G8-11181-A1	REC6G8-W0001-A3	REC6G8-11351-A0
F9.9A/B	1985-99	2	REC6G8-11181-A1	REC6G8-W0001-A3	REC6G8-11351-A0
F9.9C	2001-07	2	PAF15-07000100	REC66M-W0001-01	PAF15-00000014
F9.9H	2008+	2	REC6AG-11181-00		REC6AH-11351-00
FT9.9D, F13.5 A	2001-07	2	PAF15-07000100	REC66M-W0001-01	PAF15-00000014
F13.5B, F15C/E/M	2008+	2	REC6AG-11181-00		REC6AH-11351-00
F15A/E/M/P	2001-07	2	PAF15-07000100	REC66M-W0001-01	PAF15-00000014
F20B/E/M	2008+	2	REC6AG-11181-00		REC6AH-11351-00
F20D	2011+	2	REC6BL-11181-00		
F20A	1998+	2	PAF25-05040000	REC65W-W0001-00	PAF25-00000013
T25/F25A/A/E/M	1998-09	2	PAF25-05040000	REC65W-W0001-00	PAF25-00000013
T25/F25D/M/F	2009+	2	REC6BL-11181-00		
F30A/E/TR, F40B/E/TR	2000-09	3	REC67C-11181-01	REC67C-W0001-01	REC67C-11351-00
F30B, F40F	2009+	3	REC6BG-11181-00		
F40G, F70A	2011+	4	REC6CJ-11181-00		
F80A/B/C/TLR	1999+	4	REC67F-11181-03		REC68V-11351-00
F100A/B/D/TLR	1999+	4	REC67F-11181-03		REC68V-11351-00
F115A/TX/TLR	2000+	4	REC67F-11181-03		REC68V-11351-00
F150A/T/B	2004+	4	REC63P-11181-00		REC63P-11351-01
F17A	2014	4	REC6DA-11181-00		REC63P-11351-01
F200A/TX/TR/	2002-07	6	REC69J-11181-03 REC69J-11182-03		REC69J-11351-11
F200A/C, F225A/B/C	2007+	6	REC6P2-11181-00 REC6P2-11182-00		REC69J-11351-11
F200B/F/G/CA	2013+	4	REC6DA-11181-00		REC63P-11351-01
F225A/TR/TX/TUR	2002-07	6	REC69J-11181-03 REC69J-11182-03		REC69J-11351-11
F225CA/F, F250CA/D	2011+	6	REC6CB-11181-00		
F250A/B/T	2009+	6	REC6P2-11181-00 REC6P2-11182-00		REC69J-11351-11
F300A/TR, F350A/C/T	2008+	8	REC6AW-11181-00 REC6AW-11182-00		REC6AW-11351-00
F300B/CA	2011+	6	REC6CB-11181-00		

JUNTAS TAPA REFIRGERACIÓN
GASKETS, EXHAUST INNER COVER
GUARNIZIONE COPERCHIO REFRIGERAZIONE

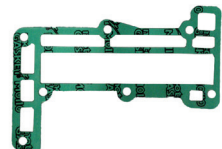
Ref. R.O.
REC6E0-41114-A1 6E0-41114-A1
MOTORES / ENGINES / MOTORI
4AC/AS/MSH
5C/CS



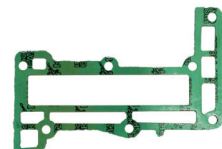
Ref. R.O.
REC6E0-41112-A1 6E0-41112-A1
MOTORES / ENGINES / MOTORI
4AC/AS/MSH
5C/CS



Ref. R.O.
REC6G1-41112-A1 6G1-41112-A1
MOTORES / ENGINES / MOTORI
6C/T/M/D
8C/M/T



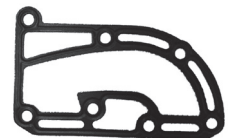
Ref. R.O.
REC6G1-41114-A0 6G1-41114-A0
MOTORES / ENGINES / MOTORI
6C/T/M/D
8C/M/T



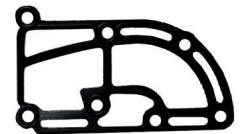
Ref. R.O.
REC6G1-11193-A1 6G1-11193-A1
MOTORES / ENGINES / MOTORI
6C/M/T/D
8C/M/T



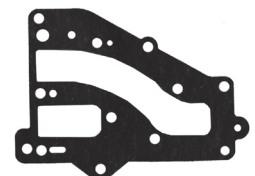
Ref. R.O.
REC6G8-41112-02 6G8-41112-02
MOTORES / ENGINES / MOTORI
F8B
F9.9A/B
T9.9E



Ref. R.O.
REC6G8-41114-00 6G8-41114-00
MOTORES / ENGINES / MOTORI
F8B
F9.9A/B
T9.9E



Ref. R.O.
REC677-41112-A0 677-41112-A0
MOTORES / ENGINES / MOTORI
E8D/DMH



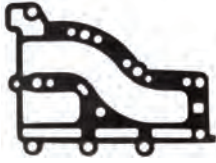
Ref.	R.O.
REC677-41114-A0	677-41114-A0

MOTORES / ENGINES / MOTORI
E8D/DMH



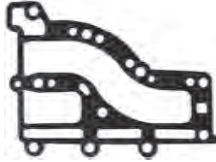
Ref.	R.O.
REC682-41114-00	682-41114-A1

MOTORES / ENGINES / MOTORI
9.9D
15D



Ref.	R.O.
REC682-41112-00	682-41112-A1

MOTORES / ENGINES / MOTORI
9.9D
15D



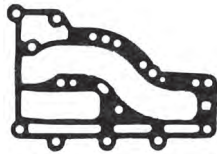
Ref.	R.O.
PAF15-07010018	66M-41114-01

MOTORES / ENGINES / MOTORI
F9.9
13.5
F15



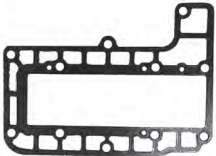
Ref.	R.O.
REC63V-41112-A0	63V-41112-A0

MOTORES / ENGINES / MOTORI
9.9F/MSH/MH
13.5AW
15F/MSH/MH
E15DMH



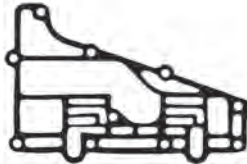
Ref.	R.O.
REC664-41114-A0	664-41114-A0

MOTORES / ENGINES / MOTORI
20C/25D



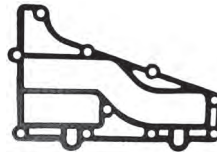
Ref.	R.O.
REC6L2-41114-A1	6L2-41114-A1

MOTORES / ENGINES / MOTORI
20D/M
25N/M/D



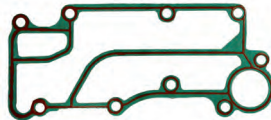
Ref.	R.O.
REC6L2-41112-A3	6L2-41112-A2

MOTORES / ENGINES / MOTORI
20D/M
25N/M



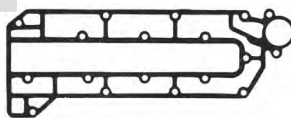
Ref.	R.O.
PAF25-05010111	65W-41114-00

MOTORES / ENGINES / MOTORI
F20/25
T25



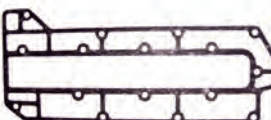
Ref.	R.O.
REC6H3-41112-A0	6H3-41112-A0

MOTORES / ENGINES / MOTORI
25B
50G/GE
60FE/TLR
E60H
70B/BE/TR



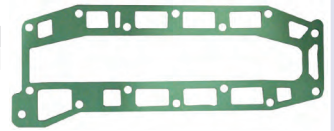
Ref.	R.O.
REC6H3-41114-A0	6H3-41114-A0

MOTORES / ENGINES / MOTORI
25B
50G/GE
60FE/TLR
E60H
70B/BE/TR



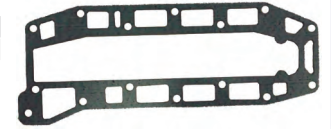
Ref.	R.O.
REC6H4-41112-A0	6H4-41112-A0

MOTORES / ENGINES / MOTORI
25QE0
40H/V/VE/TLR
C40M/T
50H/DE



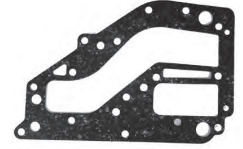
Ref.	R.O.
REC6H4-41114-A0	6H4-41114-A0

MOTORES / ENGINES / MOTORI
25QE0
40H/V/VE/TLR
C40M/T
50H/DE



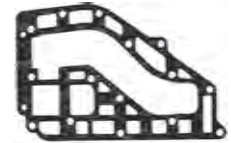
Ref.	R.O.
REC6K8-41122-A1	6K8-41122-A1

MOTORES / ENGINES / MOTORI
25VE/M/B/BMH
E25A
30HM/HW/G/GE
E30HMH



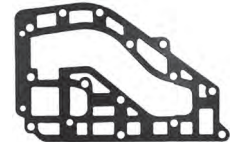
Ref.	R.O.
REC6K8-41124-A1	6K8-41124-A1

MOTORES / ENGINES / MOTORI
25VE/M/B/BMH
E25A
30HM/HW/G/GE
E30HMH



Ref.	R.O.
REC689-41112-A0	689-41112-A0

MOTORES / ENGINES / MOTORI
30A



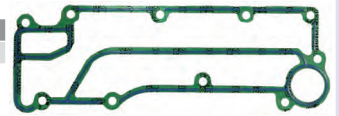
Ref.	R.O.
REC689-41114-A0	689-41114-A0

MOTORES / ENGINES / MOTORI
30A



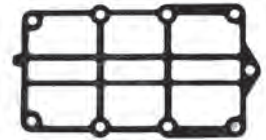
Ref.	R.O.
REC67C-41114-00	67C-41114-00

MOTORES / ENGINES / MOTORI
F30/40



Ref.	R.O.
REC66T-41114-A0	66T-41114-A0

MOTORES / ENGINES / MOTORI
40X
E40X



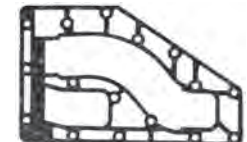
Ref.	R.O.
REC6F5-41112-A0	6F5-41112-A0

MOTORES / ENGINES / MOTORI
40GWH/JMH
E40GMH



Ref.	R.O.
REC6F5-41114-A0	6F5-41114-A0

MOTORES / ENGINES / MOTORI
40GWH/JMH
E40GMH



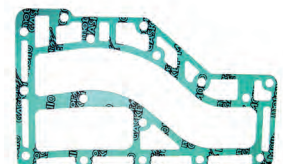
Ref.	R.O.
REC6E9-41114-A0	6E9-41114-A0

MOTORES / ENGINES / MOTORI
40Q



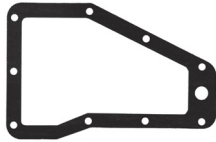
Ref.	R.O.
REC676-41112-A0	676-41112-A0

MOTORES / ENGINES / MOTORI
40Q



Ref.	R.O.
REC663-41114-00	663-41114-A0

MOTORES / ENGINES / MOTORI
55B
E55CMH



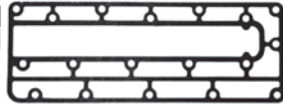
Ref.	R.O.
REC688-41112-A0	688-41112-A0

MOTORES / ENGINES / MOTORI
75CET/TLR/AE 85A/AE
E75B 90A/AE/TLR
80AE



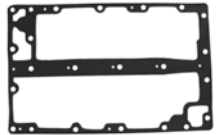
Ref.	R.O.
REC688-41114-A0	688-41114-A0

MOTORES / ENGINES / MOTORI
75CET/TLR/AE 85A/AE
E75B 90A/AE/TLR
80AE



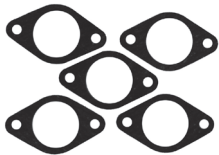
Ref.	R.O.
REC6E5-41112-A1	6E5-41112-A1

MOTORES / ENGINES / MOTORI
100A/AET/TLR
115B/BE/TLR/CEO/TXR
130BET/TLR



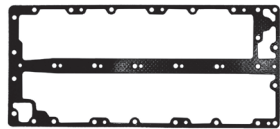
Ref.	R.O.
REC6G5-11382-A1	6G5-11382-A1

MOTORES / ENGINES / MOTORI
115HP-250HP



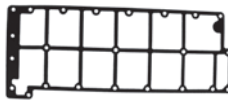
Ref.	R.O.
REC6G5-41112-A1	6G5-41112-A1

MOTORES / ENGINES / MOTORI
150F/FE/TLR/GE/A-CE,
175D/DE/FE
200AET/F/FE/TLR/G/GE/BE
225D/DE/BE



Ref.	R.O.
REC68F-41114-00	68F-41114-00

MOTORES / ENGINES / MOTORI
Z150 200HP
175



Ref.	R.O.
REC6G5-41114-A0	6G5-41114-A0

MOTORES / ENGINES / MOTORI
150F/FE/TLR/GE/A-CE,
175D/DE/FE
200AET/F/FE/TLR/G/GE/BE
225D/DE/BE



JUNTAS SISTEMA ADMISIÓN GASKETS, INTAKE GUARNIZIONE SISTEMA ASPIRAZIONE

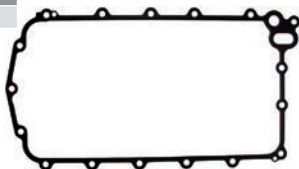
Ref.	R.O.
REC69J-13645-00	69J-13645-A1

MOTORES / ENGINES / MOTORI
F200/FL-LF200 (02-11)
F225/LF-FL225 (02-11)



Ref.	R.O.
REC69J-15451-00	69J-15451-A1

MOTORES / ENGINES / MOTORI
F200/FL-LF200 (02-11)
F225/LF-FL225 (02-11)



Ref.	R.O.
REC6G1-13645-A1	6G1-13645-A1

MOTORES / ENGINES / MOTORI
6D/DMH/CMH/MH/C/TRV
8C/CMH/MH/MSH



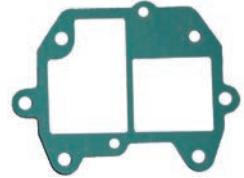
Ref.	R.O.
REC6G1-14198-A1	6G1-14198-A1

MOTORES / ENGINES / MOTORI
6D/DMH/CMH/MH/C/TRV
8C/CMH/MH/MSH



Ref.	R.O.
REC6G1-13621-A1	6G1-13621-A1

MOTORES / ENGINES / MOTORI
6D/DMH/CMH/MH/C/TRV
8C/CMH/MH/MSH



Ref.	R.O.
REC6G8-14198-A0	6G8-14198-00

MOTORES / ENGINES / MOTORI
F8BE/BM/B
F9.9B/BE/BM/A/AM



Ref.	R.O.
REC6G8-13645-00	6G8-13645-00

MOTORES / ENGINES / MOTORI
F8BE/BM/B
F9.9B/BE/BM/A/AM



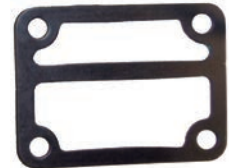
Ref.	R.O.
REC6G8-13646-A0	6G8-13646-00

MOTORES / ENGINES / MOTORI
F8BE/BM/B
F9.9B/BE/BM/A/AM



Ref.	R.O.
REC6G8-15374-00	6G8-15374-00

MOTORES / ENGINES / MOTORI
F8BE/BM/B
F9.9B/BE/BM/A/AM



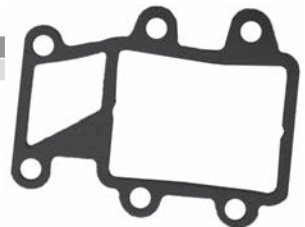
Ref.	R.O.
REC677-24434-02	677-24434-02

MOTORES / ENGINES / MOTORI
E8D/DMH
9.9D/15D
25D/NH/NMH/MH/NE/NEMO
20DMH/MLH/DW



Ref.	R.O.
REC682-13621-00	682-13621-A0

MOTORES / ENGINES / MOTORI
9.9D
15D



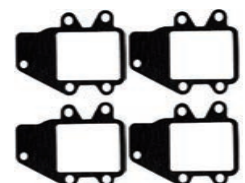
Ref.	R.O.
REC648-13645-A0	648-13645-A0

MOTORES / ENGINES / MOTORI
20CM/C
25DE/BMH/B/D/V
30A/HM/HW/G/GE, E30HMH



Ref.	R.O.
REC677-13621-00	677-13621-A1

MOTORES / ENGINES / MOTORI
20CM/C
25DE/BMH/B/D/V
30A/HM/HW/G/GE
E30HMH



Ref.	R.O.
REC677-14198-A1	677-14198-A1

MOTORES / ENGINES / MOTORI
 20CM/C
 25DE/BMH/B/DV
 30A/HM/HW/G/GE
 E30HMH



Ref.	R.O.
REC648-14198-A0	648-14198-A0

MOTORES / ENGINES / MOTORI
 20C/CM
 25D/DE
 30A



Ref.	R.O.
REC648-13621-A0	648-13621-A1

MOTORES / ENGINES / MOTORI
 20CM/C
 25DE/BMH/B/DV
 30A/HM/HW/G/GE
 E30HMH



Ref.	R.O.
REC6H4-14198-01	6H4-14198-01

MOTORES / ENGINES / MOTORI
 25Q/QEO/B C40T/40YET
 50D/G/GEO/GET/H 60FEO/FET/D
 40V/VM/TLR/H 70B/BE



Ref.	R.O.
REC61N-14198-00	61N-14198-00

MOTORES / ENGINES / MOTORI
 25VE/VM/B/BMH/BWH
 E25A/BMH
 30G/GE/HMH/HW
 E30HMH



Ref.	R.O.
REC6H3-13621-A1	6H3-13621-A1

MOTORES / ENGINES / MOTORI
 25B
 50G/GEO/GETO,
 60FEO/FETO/TLR/TRZ/F
 E60H/E60M
 70BEO/B/BE/
 BEDO/BETO/TR



Ref.	R.O.
REC6H4-14198-09	6H4-14198-00

MOTORES / ENGINES / MOTORI
 40N/H/E
 50D/ETN



Ref.	R.O.
REC676-13646-A0	676-13646-A0

MOTORES / ENGINES / MOTORI
 40QE/QM/QWC



Ref.	R.O.
REC688-14483-A0	688-14483-A0

MOTORES / ENGINES / MOTORI
 E40CMH E55CMH
 55B/BE/BET



Ref.	R.O.
REC6F5-13645-A0	6F5-13645-A1

MOTORES / ENGINES / MOTORI
 40GWH/JWH
 E40GMH/JMH



Ref.	R.O.
REC6F5-13621-A1	6F5-13621-A1

MOTORES / ENGINES / MOTORI
 40GWH/JWH
 E40GMH/JMH



Ref.	R.O.
REC6F5-13646-A2	6F5-13646-A1

MOTORES / ENGINES / MOTORI
 40GWH/JWH
 E40GMH/JMH



Ref.	R.O.
REC6F5-14198-A1	6F5-14198-A1

MOTORES / ENGINES / MOTORI
 40GWH/JWH
 E40GMH/JMH



Ref.	R.O.
REC6E9-14198-A0	6E9-14198-A0

MOTORES / ENGINES / MOTORI
 40QE/QM/QWC



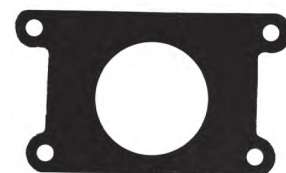
Ref.	R.O.
REC663-14483-A0	663-14483-A0

MOTORES / ENGINES / MOTORI
 E40CMH E55CMH
 55B/BE/BET



Ref.	R.O.
REC663-14198-00	663-14198-A0

MOTORES / ENGINES / MOTORI
 E48CMHS
 55BET/B/BE/BM



Ref.	R.O.
REC663-13621-00	663-13621-A0

MOTORES / ENGINES / MOTORI
 E48CMHS
 55BET/B/BE/BM



Ref.	R.O.
REC6H3-14198-A1	6H3-14198-A1

MOTORES / ENGINES / MOTORI
 25B
 50G/GEO/GETO
 60FEO/FETO/TLR/TRZ/F
 E60H/E60M
 70BEO/B/BE/
 BEDO/BETO/TR



Ref.	R.O.
REC6H3-13622-A1	6H3-13622-A1

MOTORES / ENGINES / MOTORI
 25B
 50G/GEO/GETO
 60FEO/FETO/TLR/TRZ/F
 E60H/E60M
 70BEO/B/BE/BEDO/BETO/TR



Ref.	R.O.
REC688-14416-01	688-14416-01

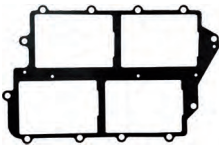
MOTORES / ENGINES / MOTORI
 75AET/AEM/AED
 E75B
 85A/AE/AET/AED



Ref. R.O.
REC688-13621-A1 688-13621-A1
MOTORES / ENGINES / MOTORI
 75AET/AEM/AED
 E75B
 85A/AE/AET/AED



Ref. R.O.
REC6E5-13645-A1-00 6E5-13645-A1
MOTORES / ENGINES / MOTORI
 100A/TLR 175DETO/D/FETO
 115BE/B/CETO/TXR 225DET/D
 130BETO/TLR
 150F/FETO/TXR/TR/
 GETO/A/AETO



Ref. R.O.
REC6E5-14198-A2 6E5-14198-A2
MOTORES / ENGINES / MOTORI
 100A/TLR 175DETO/D/FETO
 115BE/B/CETO/TXR 225DET/D
 130BETO/TLR
 150F/FETO/TXR/TR/
 GETO/A/AETO



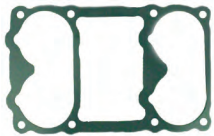
Ref. R.O.
REC6E5-13621-A1 6E5-13621-A1
MOTORES / ENGINES / MOTORI
 100A/TLR 175DETO/D/FETO
 115BE/B/CETO/TXR 225DET/D
 130BETO/TLR
 150F/FETO/TXR/TR/
 GETO/A/AETO



Ref. R.O.
REC6E5-14416-A1 6E5-14416-A1
MOTORES / ENGINES / MOTORI
 115B/BE/BET
 C115TLR



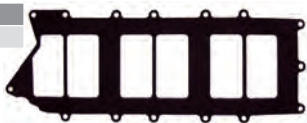
Ref. R.O.
REC6E5-14483-A1 6E5-14483-A1
MOTORES / ENGINES / MOTORI
 115B/BE/BET
 C115TLR



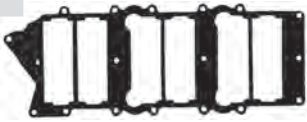
Ref. R.O.
REC6E5-11381-A1 6E5-11381-A1
MOTORES / ENGINES / MOTORI
 115BET/CEO 175BET
 130BET 200CETO
 150CET 225BET



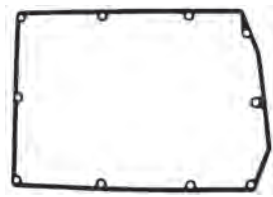
Ref. R.O.
REC65L-13646-00 65L-13646-00
MOTORES / ENGINES / MOTORI
 150PETO/QETO/TXR
 175GETO
 200N/NETO/PET/TLR
 225G/GET



Ref. R.O.
REC65L-13645-00 65L-13645-00
MOTORES / ENGINES / MOTORI
 150PETO/QETO/TXR
 175GETO
 200N/NETO/PET/TLR
 225G/GET



Ref. R.O.
REC6G5-14416-A1 6G5-14416-A1
MOTORES / ENGINES / MOTORI
 150A-AET



Ref. R.O.
REC64E-13645-A0 64E-13645-A0
MOTORES / ENGINES / MOTORI
 150GETO 200GETO/G
 D150H 175DET 225D/DET



Ref. R.O.
REC61A-13621-A0 61A-13621-A0
MOTORES / ENGINES / MOTORI
 Z150P/Q/TLR 200NETO/N/TR/PET
 175G/GET 250G/GET/B



Ref. R.O.
REC6G5-14483-01 6G5-14483-A1
MOTORES / ENGINES / MOTORI
 150A/AETO 200AET/AETO
 175AE/AETO



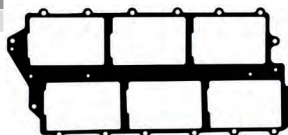
Ref. R.O.
REC688-14198-A1 688-14198-A2
MOTORES / ENGINES / MOTORI
 Z150P/Q/TLR
 175G/GET
 200NETO/N/TR/PET
 250G/GET/B



Ref. R.O.
REC68F-11381-00 68F-11381-00
MOTORES / ENGINES / MOTORI
 Z150 VZ175
 VZ150 Z200
 LZ150 VZ200
 Z175 LZ200



Ref. R.O.
REC6G5-13645-A1 6G5-13645-A2
MOTORES / ENGINES / MOTORI
 150A/AETO
 175AE/AETO
 200AET/AETO



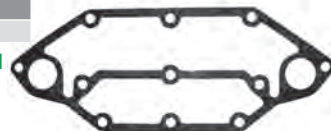
Ref. R.O.
REC6K7-13645-A2 6K7-13645-A2
MOTORES / ENGINES / MOTORI
 200CETO
 225BET



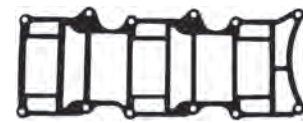
Ref. R.O.
REC6K7-13646-A2 6K7-13646-A2
MOTORES / ENGINES / MOTORI
 200CETO
 225BET



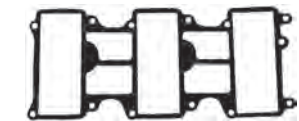
Ref. R.O.
REC61A-11381-A0 61A-11381-A0
MOTORES / ENGINES / MOTORI
 225C/CET/FET/G/GET
 250AET/B



Ref. R.O.
REC61A-13645-00 61A-13645-00
MOTORES / ENGINES / MOTORI
 225C/CET
 250AET/B/A/ETD



Ref. R.O.
REC61A-13646-00 61A-13646-00
MOTORES / ENGINES / MOTORI
 225C/CET
 250AET/B/A/ETD



Ref. R.O.
REC60V-13621-A0 60V-13621-A0
MOTORES / ENGINES / MOTORI
 Z300AETO/TR VZ225 (2003-09)
 Z250DETO/TR/FETO VZ300 (2004-09)
 LZ250 (2003-07) VZ250 (2003-07)
 LZ300 (2004-07) Z300 (2004-07)
 VZ200 (2005-09)



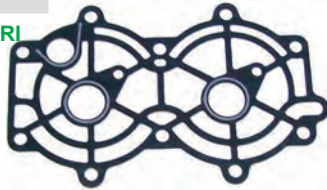
Ref. R.O.
REC60V-13645-00 60V-13645-00
MOTORES / ENGINES / MOTORI
 Z300AETO/TR VZ225 (2003-09)
 Z250DETO/TR/FETO VZ300 (2004-09)
 LZ250 (2003-07) VZ250 (2003-07)
 LZ300 (2004-07) Z300 (2004-07)
 VZ200 (2005-09)



JUNTAS CULATÍN GASKETS, HEAD COVER GUARNIZIONI TESTATA

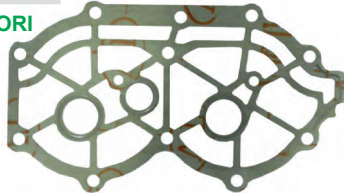
Ref. R.O.
REC6L2-11193-A1 6L2-11193-A1

MOTORES / ENGINES / MOTORI
20D/DM/DEO
25NE/NEMO/NWC/
MSH



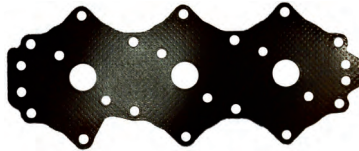
Ref. R.O.
REC61T-11193-A0 61T-11193-A1

MOTORES / ENGINES / MOTORI
25VE/VM/BMH/B
E25A/BMH
30G/GE/HMH/HW
MSH



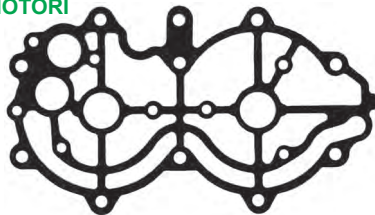
Ref. R.O.
REC6H3-11193-A1 6H3-11193-A1

MOTORES / ENGINES / MOTORI
25B/BETO
50G/GEO/GETO
60FEO/FETO/FEDO/TLR
E60H/
HMH/MLH
70B//BEO/BEMO/BETO/TR



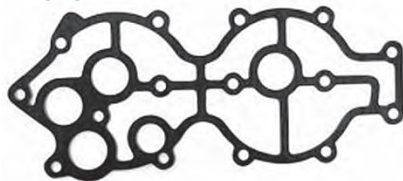
Ref. R.O.
REC66T-11193-A0 66T-11193-A0

MOTORES / ENGINES / MOTORI
40X/E40X
E40 MLH/X/XW



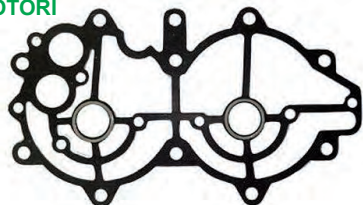
Ref. R.O.
REC6E9-11193-A0 6E9-11193-A0

MOTORES / ENGINES / MOTORI
40QE/QE-ZI/QM/QWC



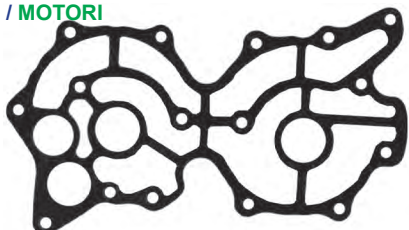
Ref. R.O.
REC6F6-11193-A1 6F6-11193-A1

MOTORES / ENGINES / MOTORI
40GWH/JWH
E40GMH/JMH



Ref. R.O.
REC663-11193-00 663-11193-A0

MOTORES / ENGINES / MOTORI
E48CMH
55BET/B/BE/BM/BET
E55CMH



Ref. R.O.
REC688-11193-A1 688-11193-A1

MOTORES / ENGINES / MOTORI
75CETO/TLR/AE
E75B
80AEO/AETO/A
85A/AE
90AEO/TLR/A/AETO



Ref. R.O.
REC6E5-11193-A0 6E5-11193-A0

MOTORES / ENGINES / MOTORI
100A/AETO/TLR
115B/BETO/BE
C115TLR/CEO/CETO/TXR
E115AEL
130BETO



Ref. R.O.
REC68F-11193-02 68F-11193-02

MOTORES / ENGINES / MOTORI
Z150P/TXR/PETO/TR/Q/QETO
Z175G/GETO/TR/TXR/H
Z200N/TXR/PETO/TLR/NETO



Ref. R.O.
REC6G5-11193-A0 6G5-11193-A1

MOTORES / ENGINES / MOTORI
150A/AET/CETO/F/FETO/TXR
D150H
175D/DETO/BETO
200AET/CETO/FETO/G/GETO/BETO/TXR/F/TLR.
225D/DET/BET



Ref. R.O.
REC61A-11193-A2 61A-11193-A2

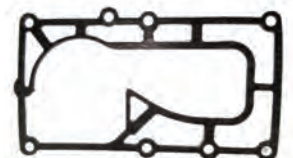
MOTORES / ENGINES / MOTORI
225C/CETO/G/GETO
250AET/B/TXR



JUNTAS COLECTOR Y CARTER GASKETS, UPPERCASING, OIL PAN, MANIFOLD GUARNIZIONI COLLETTORE E CARTER

Ref. R.O.
REC646-14623-A1 646-14623-A1

MOTORES / ENGINES / MOTORI
2B



Ref. R.O.
PAF2.6-04000004 69M-11351-A0

MOTORES / ENGINES / MOTORI
F2.5



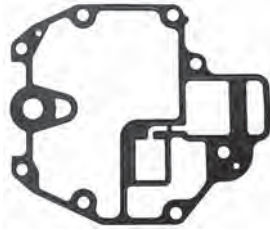
Ref. R.O.
PAF4-04000002 68D-11351-A0

MOTORES / ENGINES / MOTORI
F4



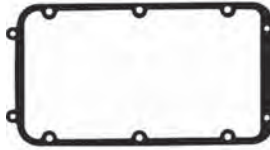
Ref.	R.O.
REC68T-13475-00	68T-13475-00

MOTORES / ENGINES / MOTORI
F6/8/9.9
T8/9.9



Ref.	R.O.
REC6G8-45113-A1	6G8-45113-A1

MOTORES / ENGINES / MOTORI
F8/9.9
T9.9



Ref.	R.O.
REC6AH-13329-00	6AH-13329-00

MOTORES / ENGINES / MOTORI
F9.9/13.5/15/20



Ref.	R.O.
REC682-45113-A0	682-45113-02

MOTORES / ENGINES / MOTORI
9.9D
15D



Ref.	R.O.
REC6AH-15312-00	6AH-15312-00

MOTORES / ENGINES / MOTORI
F9.9/13.5/15/20



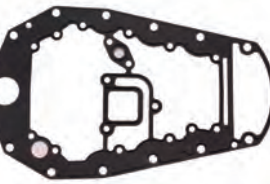
Ref.	R.O.
PAF15-00000005	66M-45113-00

MOTORES / ENGINES / MOTORI
F15/9.9/13.5
FT9.9



Ref.	R.O.
REC62Y-15312-00	62Y-15312-00

MOTORES / ENGINES / MOTORI
F20/25/40/45/50
T50



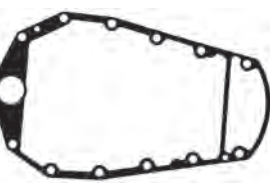
Ref.	R.O.
REC67C-15312-00	67C-15312-00

MOTORES / ENGINES / MOTORI
F25/30/40
T25



Ref.	R.O.
REC67C-45113-00	67C-45113-00

MOTORES / ENGINES / MOTORI
F25/30/40
T25



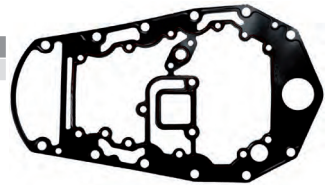
Ref.	R.O.
REC6H3-45114-A1	6H3-45114-A1

MOTORES / ENGINES / MOTORI
25B/BETO 70B/BEO
50G/GEO/GETO 70BETO/TR
60FEDO/TLR/BEO
E60H/MLHHMH



Ref.	R.O.
PAF25-02010007	67C-15312-00

MOTORES / ENGINES / MOTORI
F25/30/40
T25



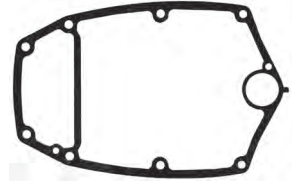
Ref.	R.O.
REC676-45114-A1	676-45114-A1

MOTORES / ENGINES / MOTORI
40QE/QE-Z/QM/QWC/GWH/JWH
E40GMH/JMH



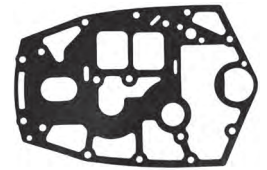
Ref.	R.O.
REC66T-45114-A0	66T-45114-A0

MOTORES / ENGINES / MOTORI
40X/XMH/XW
E40X/MLH/XMH



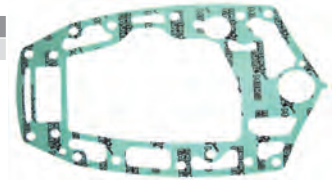
Ref.	R.O.
REC697-45114-00	697-45114-A0

MOTORES / ENGINES / MOTORI
E48CMH
55BET/B/BE/BM
E55CMH



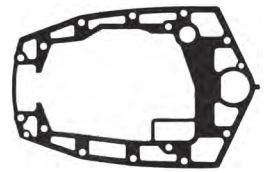
Ref.	R.O.
REC63D-45114-A0	63D-45114-A0

MOTORES / ENGINES / MOTORI
50H/HR/HM
40V/ VM/VETO/C40MLH
C40T/TLR
40YETO



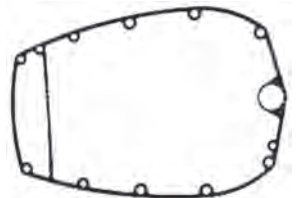
Ref.	R.O.
REC688-45114-A1	688-45114-A1

MOTORES / ENGINES / MOTORI
75A/AE/CETO/TLR/AED
E75B
85A/AED-M-T
80A/AE/AEO
90A/ETN/AEO/AETO



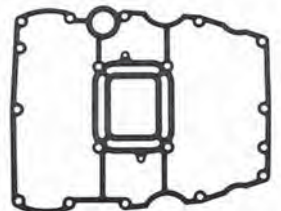
Ref.	R.O.
REC67F-45113-00	67F-45113-00

MOTORES / ENGINES / MOTORI
F75/80/100/115



Ref.	R.O.
REC68V-15312-00	68V-15312-00

MOTORES / ENGINES / MOTORI
F80/100/115



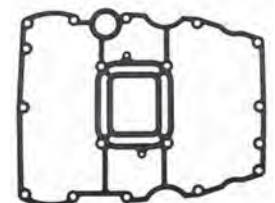
Ref.	R.O.
REC6G5-45114-A0	6G5-45114-A1

MOTORES / ENGINES / MOTORI
115A/B/ETN/BETO Z175
130BETO 175AETO
140AETO/BETO 200ETN/AET-0
150ETN/AETO/CETO/ Z200
FETO 225AETO/DET
Z150



Ref.	R.O.
REC68V-15312-00	68V-15312-00

MOTORES / ENGINES / MOTORI
F80/100/115



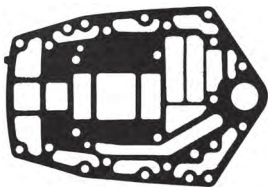
Ref.	R.O.
REC6G5-45114-A0	6G5-45114-A1

MOTORES / ENGINES / MOTORI
 115A/B/ETN/BETO Z175
 130BETO 175AETO
 140AETO/BETO 200ETN/AET-0
 150ETN/AETO/CETO/ Z200
 FETO 225AETO/DET
 Z150



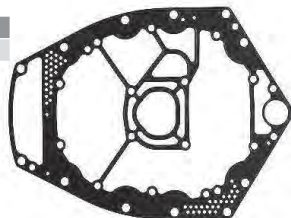
Ref.	R.O.
REC6E5-45114-00	6E5-45114-A0

MOTORES / ENGINES / MOTORI
 115A/ETN
 E115AEL
 140AETO



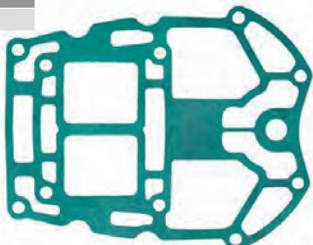
Ref.	R.O.
REC63P-15312-00	63P-15312-00

MOTORES / ENGINES / MOTORI
 F150/175/200



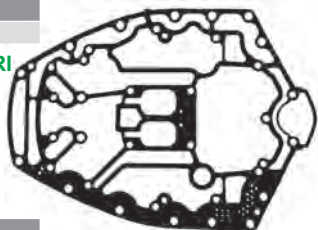
Ref.	R.O.
REC61A-41134-A0	6D0-41134-00

MOTORES / ENGINES / MOTORI
 225C/FETO/G/GETO
 Z250
 250B/AET/BETO/TXR
 Z300/AETO/TR



Ref.	R.O.
REC6AW-45113-00	6AW-45113-00

MOTORES / ENGINES / MOTORI
 F300/350



Ref.	R.O.
REC6AW-14613-00	6AW-14613-00

MOTORES / ENGINES / MOTORI
 FL/F300-350 (2008-2011)



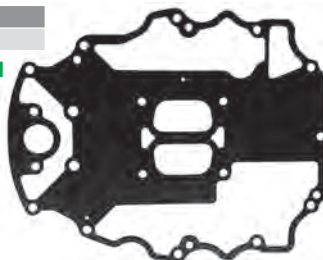
Ref.	R.O.
REC6AW-14623-00	6AW-14623-00

MOTORES / ENGINES / MOTORI
 FL/F300-350 (2008-2011)



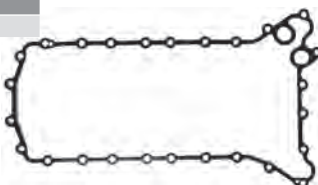
Ref.	R.O.
REC6AW-15312-00	6AW-15312-00

MOTORES / ENGINES / MOTORI
 FL/F300-350 (2008+)



Ref.	R.O.
REC6AW-15451-00	6AW-15451-00

MOTORES / ENGINES / MOTORI
 FL/F300-350 (2008+)



JUNTAS ESCAPE EXHAUST GASKET GUARNIZIONI SCARICO

Ref.	R.O.
REC6G1-41133-A0	6G1-41133-A0

MOTORES / ENGINES / MOTORI
 6C/CEM/D/DEM/TRV/MSH/MHS/CWH/DMH/J
 8CEM/C/TRV/MSH/MH/CMH/J/N



Ref.	R.O.
PAF15-04010004	66M-41138-00

MOTORES / ENGINES / MOTORI
 F9.9/15/13.5
 T9.9



Ref.	R.O.
PAF15-03000003	66M-45115-00

MOTORES / ENGINES / MOTORI
 F9.9/13.5/15
 T9.9



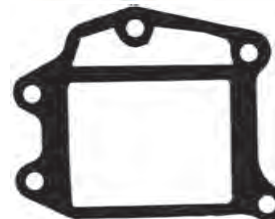
Ref.	R.O.
REC682-41133-A0	682-41133-A0

MOTORES / ENGINES / MOTORI
 9.9D 15D
 E9.9DMH E15DMH



Ref.	R.O.
REC63V-41133-A1	63V-41133-A1

MOTORES / ENGINES / MOTORI
 9.9F/FEM/FMH/MH/AW/MSH
 13.5AWH



Ref.	R.O.
REC6L2-41133-A3	6L2-41133-A3

MOTORES / ENGINES / MOTORI
 20D/DEM/DEO/MLH/DMH
 25NE/NW/MLH/N/MSH/MH/MLH



Ref.	R.O.
PAF25-05080004	65W-14457-10

MOTORES / ENGINES / MOTORI
 F20/25
 T25



Ref.	R.O.
REC6L2-41134-00	6L2-41134-00

MOTORES / ENGINES / MOTORI
 20D/DEM/DEO/MLH/DMH
 25NE/NW/MLH/N/MSH/MH/MLH



Ref.	R.O.
REC62Y-45127-00	62Y-45127-00

MOTORES / ENGINES / MOTORI
 F20/25/40/45/50
 T50



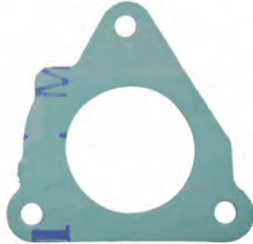
Ref. R.O.
REC67C-41133-00 67C-41133-00

MOTORES / ENGINES / MOTORI
F20/25/40/50/30
T25



Ref. R.O.
REC62Y-41133-00 62Y-41133-00

MOTORES / ENGINES / MOTORI
F20/25/40/45/50
T50



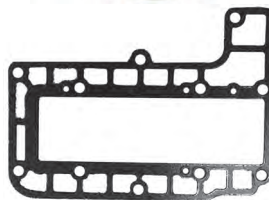
Ref. R.O.
REC663-45123-00 663-45123-00

MOTORES / ENGINES / MOTORI
25QEO T50
40H/N 55B
F40/45/50 E55CM
50ETN



Ref. R.O.
REC664-41134-A0 664-41134-A0

MOTORES / ENGINES / MOTORI
20C/CM/A/G/GE
E25A/25VE/VM/DE/D



Ref. R.O.
REC63D-45123-00 63D-45123-00

MOTORES / ENGINES / MOTORI
25AEO/50H/40V/YE
C40M/40TLR/50DE



Ref. R.O.
REC67C-45123-00 67C-45123-00

MOTORES / ENGINES / MOTORI
F20/25/40/50/30
T25



Ref. R.O.
REC6H3-45127-00 6H3-45127-00

MOTORES / ENGINES / MOTORI
25B/BETO
50G/GEO/GETO
60FE/FET/FEO/FETO/FEDO
E60H/MHZ/MLH/HMH/HW



Ref. R.O.
REC6H3-45123-00 6H3-45123-00

MOTORES / ENGINES / MOTORI
25B/BETO
50G/GEO/GETO
60FE/FET/FEO/FETO/FEDO
E60H/MHZ/MLH/HMH/HW
70B/ETN/
BEH/BEO/BEMO/BETO/CE



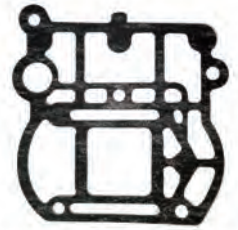
Ref. R.O.
REC6H4-41134-A0 6H4-41134-A0

MOTORES / ENGINES / MOTORI
25QEO/50H/40V/YE
C40M/40TLR/50DE



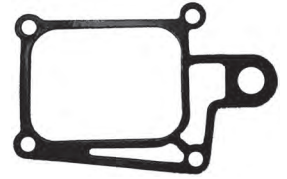
Ref. R.O.
REC66T-41133-A1 66T-41133-A0

MOTORES / ENGINES / MOTORI
40X/XW/XMH
E40X/MLN



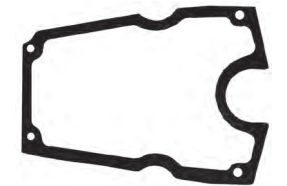
Ref. R.O.
REC676-41133-A0 676-41133-A0

MOTORES / ENGINES / MOTORI
40QE/QE-ZI/QM/QWC



Ref. R.O.
REC676-45128-00 676-45128-00

MOTORES / ENGINES / MOTORI
40QE/QE-ZI/QM/QWC



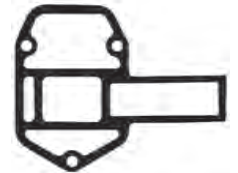
Ref. R.O.
REC676-45127-00 676-45127-00

MOTORES / ENGINES / MOTORI
40QE/QE-ZI/QM/QWC



Ref. R.O.
REC688-41134-00 688-41134-A0

MOTORES / ENGINES / MOTORI
75A/AE/AED/CETO/TLR
80A/AEO
85A/AED-T
90A/AET/AEO



Ref. R.O.
REC67F-45123-00 67F-45123-00

MOTORES / ENGINES / MOTORI
F75/80/100



Ref. R.O.
REC688-45123-00 688-45123-00

MOTORES / ENGINES / MOTORI
75CETO/TLR 85A/AE
E75B/AED 90A/AE/TLR/TR
80A/AE/TLR



Ref. R.O.
REC67F-41138-00 67F-41138-00

MOTORES / ENGINES / MOTORI
F80/100/115



Ref. R.O.
REC67F-45127-00 67F-45127-00

MOTORES / ENGINES / MOTORI
F80/100/115



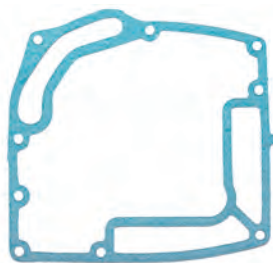
Ref. R.O.
REC68V-45123-00

MOTORES / ENGINES / MOTORI
F80/100/115



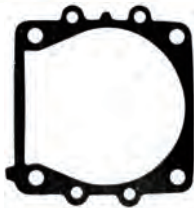
Ref.	R.O.
REC67F-41134-A0	67F-41134-A0

MOTORES / ENGINES / MOTORI
F80/100/115



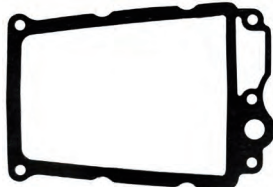
Ref.	R.O.
REC6E5-44315-A0	6E5-44315-A0

MOTORES / ENGINES / MOTORI
F100/200 225/C/CETO
150FETO Z250
175DETO/D 250AET/B
200FETO/TXR/F



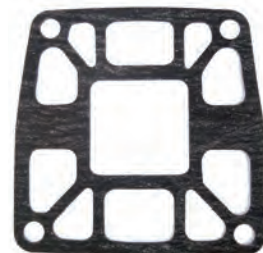
Ref.	R.O.
REC6E5-41135-A0	6E5-41135-A0

MOTORES / ENGINES / MOTORI
100A/AET/TLR
115B/BETO/CEO/CETO/TXR
130BETO



Ref.	R.O.
REC6E5-41134-A0	6E5-41134-A0

MOTORES / ENGINES / MOTORI
100A/AET/TLR
115B/BETO/CEO/CETO/TXR, 130BETO



Ref.	R.O.
REC6G5-41134-A1	6G5-41134-A1

MOTORES / ENGINES / MOTORI
130BETO 200AET/ FETO/NETO/
150FETO/PETO/TR TXR
175DETO/GETO/TR 225DET
Z200



Ref.	R.O.
REC69J-41138-00	69J-41138-00

MOTORES / ENGINES / MOTORI
F200/225/250



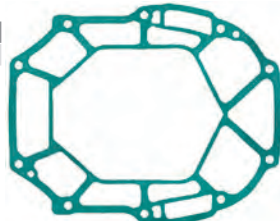
Ref.	R.O.
REC69J-45123-00	69J-45123-00

MOTORES / ENGINES / MOTORI
F200/225/250



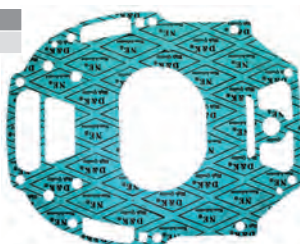
Ref.	R.O.
REC69J-41135-A0	69J-41135-A0

MOTORES / ENGINES / MOTORI
F200/225/250



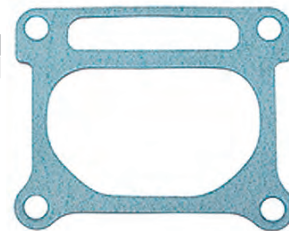
Ref.	R.O.
REC6S1-41136-00	6S1-41136-00

MOTORES / ENGINES / MOTORI
F200/225/250



Ref.	R.O.
REC69J-41134-A0	69J-41134-A0

MOTORES / ENGINES / MOTORI
F200/225



Ref.	R.O.
REC6AW-41134-01	6AW-41134-00

MOTORES / ENGINES / MOTORI
FL/F300-350 (2008+)



CARBURADORES CARBURETOR CARBURATORI

Ref.	R.O.
PAF2.6-04000200	69M-14301-21

MOTORES / ENGINES / MOTORI
F2.5 ALL (2003+)



Ref.	R.O.
PAF4-04140000	67D-14301-03

MOTORES / ENGINES / MOTORI
F4 (1998-05)



Ref.	R.O.	
PAF15-07090000	66M-14301-00	Arranque manual Manual starter Messa in moto manuale
PAF15-07090000W	66M-14301-00	Arranque eléctrico Electric starter Messa in moto elettrica

MOTORES / ENGINES / MOTORI
F9.9, F13.5, F15 (1998-07)



Ref.	R.O.
PAF25-05070000	65W-14901-12

MOTORES / ENGINES / MOTORI
F25 ALL (1999-06)



YAMAHA

**RECAMBIOS
MARINOS S.L.**

VARILLA ACELERADOR ROD ACCELERATOR LEVER ASTA ACCELERATORE

Ref.	R.O.
REC6H3-41217-00	6H3-41217-00

MOTORES / ENGINES / MOTORI
50G/E60H
60F/T
70B/T



Ref.	R.O.
REC688-41217-00	688-41217-00

MOTORES / ENGINES / MOTORI
80A
90A/E



Ref.	R.O.
REC692-41256-00	692-41256-00

MOTORES / ENGINES / MOTORI
75A/B
80A



Ref.	R.O.
REC6G5-41217-00	6G5-41217-01

MOTORES / ENGINES / MOTORI
150/200ETN
150/200AETO



JUNTAS CARBURADOR CARBURATOR GASKET GUARNIZIONI CARBURATORE

Ref.	R.O.
REC677-14384-01	677-14384-01

MOTORES / ENGINES / MOTORI
E8D/DMH
9.9D
15D



Ref.	R.O.
REC677-14227-00	677-14227-01

MOTORES / ENGINES / MOTORI
E8D/DMH
9.9D
15D



Ref.	R.O.
REC6E7-14227-00	6E7-14227-00

MOTORES / ENGINES / MOTORI
9.9D
15D



Ref.	R.O.
REC63V-14984-00	63V-14984-00

MOTORES / ENGINES / MOTORI
9.9F/FM/FEM/MS/MH/E9.9DMH
13.5AW
15F/FEM/MSH/FMH/MH
E15DMH



Ref.	R.O.
REC63V-14126-00	63V-14126-00

MOTORES / ENGINES / MOTORI
9.9F/FM/FEM/MS/MH/E9.9DMH
13.5AW
15F/FEM/MSH/FMH/MH
E15DMH



Ref.	R.O.
REC6L2-14399-00	6L2-14399-00

MOTORES / ENGINES / MOTORI
20DM/D/DEO/MLH
E25A
25VE/VM/B/BMH/BWH/HMH/NMH/NE/N/MLH/D
30G/GE
E30HMH



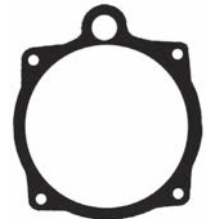
Ref.	R.O.
REC6L2-14384-00-00	6L2-14384-00

MOTORES / ENGINES / MOTORI
20DM/D/DEO/MLH
E25A
25VE/VM/B/BMH/BWH/HMH/NMH/NE/N/MLH/D
30G/GE
E30HMH



Ref.	R.O.
REC648-14384-01-00	648-14384-01

MOTORES / ENGINES / MOTORI
20C/CM
25D/DE
30A



Ref.	R.O.
REC6H3-14457-01	6H3-14457-01

MOTORES / ENGINES / MOTORI
25Q
40V/TLR/H
C40T
50G/H



Ref.	R.O.
REC66T-14384-01	66T-14384-01

MOTORES / ENGINES / MOTORI
E40XM/X/MLH/XW
40XW/XM



Ref.	R.O.
REC6F5-14384-00	6F5-14384-00

MOTORES / ENGINES / MOTORI
E40GMH/JMH
40GWH/JWH



Ref.	R.O.
REC66T-14536-00	66T-14536-01

MOTORES / ENGINES / MOTORI
40X/E40X/E40M



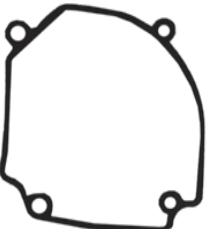
Ref.	R.O.
REC6F5-14398-00	6F5-14398-00

MOTORES / ENGINES / MOTORI
E40GMH/JMH
40GWH/JWH



Ref.	R.O.
REC676-14984-00-00	676-14984-00

MOTORES / ENGINES / MOTORI
75A/AE/AET/AEM
E75B
85A/AE/AET/AED



Ref.	R.O.
REC6E5-14384-03-00	6E5-14384-03

MOTORES / ENGINES / MOTORI
 100A/AETO/TLR 175AETO/BETO/ET
 115A/B/BE/CE/BETO 200ETD
 130BETO 200CETO/AET/BET
 140AETO 225BET/AET
 150CET/ETD/AETO/CETO



Ref.	R.O.
REC64D-14384-1	64D-14384-01

MOTORES / ENGINES / MOTORI
 175D/DET 115B/CET/TLR/TLR
 150F/FET/TLR/AET 130BET
 200AET/TLR/F/FET 250G/GET
 225D/DET



KITS CARBURADOR CARBURATOR KITS KIT CARBURATORE

Ref.	R.O.
REC6A1-W0093-01	6A1-W0093-01

MOTORES / ENGINES / MOTORI
 2B (1985-1988)



Ref.	R.O.
REC6G1-W0093-00	6G1-W0093-00

MOTORES / ENGINES / MOTORI
 3A/AMH/MSH/ (1988-07)
 6C/CEM/N/J (1984-96)
 8C/CEM/N/J (1984-96)



Ref.	R.O.
REC67D-W0093-00	67D-W0093-00

MOTORES / ENGINES / MOTORI
 F4 (1999-02)
 F4A/AMH/MSH (1998-02)



Ref.	R.O.
REC66M-W0093-01	66M-W0093-01

MOTORES / ENGINES / MOTORI
 F9.9C/FT9.9D (1998-08)
 F15A/ELH/MHZ/PL (1998-07)



Ref.	R.O.
REC63V-W0093-00	63V-W0093-00

MOTORES / ENGINES / MOTORI
 9.9MH/FMH (1995-12)
 E9.9
 13.5AMH (2003-04)
 15FMH/MH (1995-12)
 E15DMH (2003)



Ref.	R.O.
REC677-W0093-00	677-W0093-00

MOTORES / ENGINES / MOTORI
 9.9D (1985)
 15D (1985)



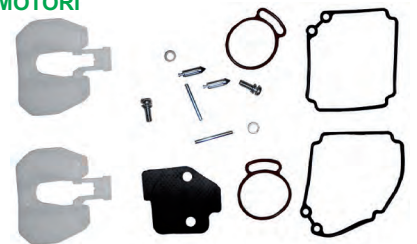
Ref.	R.O.
REC6E7-W0093-01	6E7-W0093-04

MOTORES / ENGINES / MOTORI
 9.9D (1990-93)
 15D (1990-93)



Ref.	R.O.
REC6L2-W0093-00	6L2-W0093-00

MOTORES / ENGINES / MOTORI
 20D/M (1998-11)
 25N/M (1988-14)



Ref.	R.O.
REC689-W0093-02	689-W0093-02

MOTORES / ENGINES / MOTORI
 20C/CM (1992-02)
 25D/DE (1992-01)
 30A (1992)



Ref.	R.O.
REC6H4-W0093-03	6H4-W0093-03

MOTORES / ENGINES / MOTORI
 25QEO (1993-1994)
 40V/VM/VE (1995-14)
 C40T/TL (1995-02)
 40YET (2005-07)
 50H/HR/HM/HW/HE (1995-03)



Ref.	R.O.
REC6H2-W0093-10	6H2-W0093-10

MOTORES / ENGINES / MOTORI
 25B/BETO (1994-1995)
 50G/GE (1993-1998)
 60FE/TL/TR (1992-2007)
 70B/BE (1992-2014)



Ref. R.O.
REC6H4-W0093-01-00 6H4-W0093-01

MOTORES / ENGINES / MOTORI

40H/E (1985-88)
50D (1985-88)



Ref. R.O.
REC66T-W0093-01 66T-W0093-01

MOTORES / ENGINES / MOTORI

40XMH/XW (2000-13)
E40X/MLH/XMH (2000-13)



Ref. R.O.
REC61N-W0093-00 61N-W0093-00

MOTORES / ENGINES / MOTORI

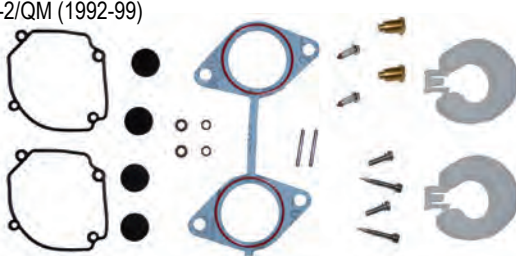
25VE/VM (1996-01)
25B/BMH/BW (2001-10)
E30HMH (2003)
30G/GE (1996-00)
30HMH/HW (2003-12)



Ref. R.O.
REC6E9-W0093-02 6E9-W0093-02

MOTORES / ENGINES / MOTORI

40G/QE/QE-2/QM (1992-99)



Ref. R.O.
REC6F6-W0093-00 6F6-W0093-00

MOTORES / ENGINES / MOTORI

E40 (2003)



Ref. R.O.
REC6E9-W0093-03 6E9-W0093-03

MOTORES / ENGINES / MOTORI

40QEZ/QWC (1997-98)
C40 2Cyl (1995-98)



Ref. R.O.
REC696-W0093-00 696-W0093-02

MOTORES / ENGINES / MOTORI

E48CMH (2003)
55B/BE/BM (1992-02)
E55CMH (2003-05)

Contiene para dos carburadores
For two carburetors
Contenuto per due carburatori



Ref. R.O.
REC6H1-W0093-01-00 6H1-W0093-01

MOTORES / ENGINES / MOTORI

60FE-T/FEO (1985-91)
70B/BEH/CEL (1985-90)



Ref. R.O.
REC6H3-W0093-02 6H3-W0093-02

MOTORES / ENGINES / MOTORI

E60H/MHZ/MLH/HMHD/HW/HEHM (1997-14)



Ref. R.O.
REC6H0-W0093-00 6H0-W0093-00

MOTORES / ENGINES / MOTORI

C80 (1997)



Ref. R.O.
REC6H1-W0093-10 6H1-W0093-10

MOTORES / ENGINES / MOTORI

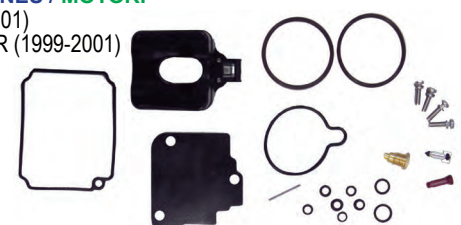
75CET (1998-2014)
75TLR (2000-02)
80A (2000-02)
90AE/TR/TL (1992-14)



Ref. R.O.
REC67F-W0093-00

MOTORES / ENGINES / MOTORI

F80A/TLR/ (1999-2001)
F100A/TLR/TRZ/TLR (1999-2001)



Ref. R.O.
REC6E5-W0093-07 6E5-W0093-07

MOTORES / ENGINES / MOTORI

115BE/B (1996-2002)
115C/CET (2007-13)
130B/9BET (2007)



Ref. R.O.
REC6N6-W0093-02 6N6-W0093-02

MOTORES / ENGINES / MOTORI

115BETO/CETO (1990-91)
L/130 BETO (1990-91)



Ref. R.O.
REC6E5-W0093-08 6E5-W0093-08

MOTORES / ENGINES / MOTORI

115 BE (1997)



Ref. R.O.
REC6E5-W0093-06 6E5-W0093-06

MOTORES / ENGINES / MOTORI

115B/BETO/CEO/CETO (1992-1995)
130BETO (1993-1995)
L150CETO (1992-1995)
175BETO (1992-95)
200BETO (1992-95)
200CETO (1992-93)
225BETO (1993-95)



Ref. R.O.
REC64D-W0093-00 64D-W0093-00

MOTORES / ENGINES / MOTORI

150A/AET/GET/FET/F (1996-00)
175DET/FET (1996-00)
200F/FET/G/GET (1996-00)
225D/DET (1996-97)



Ref. R.O.
REC6K7-W0093-09 6K7-W0093-09

MOTORES / ENGINES / MOTORI

225AET (1987-91)
PROV200 (1991)
150CET (1990-91)
175 BETO (1990-91)
200BET/ET (1990-91)
225BET (1990-91)



Ref. R.O.
REC61A-W0093-01 61A-W0093-01

MOTORES / ENGINES / MOTORI

225C/CET (1994-95)
250B (1995-02)
250A/AET (1992-06)



**AGUJA CARBURADOR
NEEDLE VALVE
SPILLO CONICO CARBURATORE**

Ref. R.O.
REC61N-14392-00 62Y-14392-00

MOTORES / ENGINES / MOTORI

2.5>60HP



Ref. R.O.
REC6G1-14546-00 6G1-14546-01

MOTORES / ENGINES / MOTORI

8>40HP



Ref. R.O.
REC626-14390-90 626-14390-90

MOTORES / ENGINES / MOTORI

9.9D/15D



Ref. R.O.
REC677-14343-68 677-14343-68

MOTORES / ENGINES / MOTORI

9.9D/15D



Ref. R.O.
REC6E8-14390-12 6E8-14390-12

MOTORES / ENGINES / MOTORI

9.9-15HP
E8D/9.9D/15D



Ref. R.O.
REC6E5-14546-00 6E5-14546-00

MOTORES / ENGINES / MOTORI

25-250HP



Ref. R.O.
REC6F5-14390-21 6F5-14390-21

MOTORES / ENGINES / MOTORI

40G/E40G
40J/E40J



Ref. R.O.
REC6F6-14341-00 6F6-14341-00

MOTORES / ENGINES / MOTORI

40G/40J
E40G/E40J



Ref. R.O.
REC696-14590-01 696-14590-01

MOTORES / ENGINES / MOTORI

48-55HP
E48CMH
E55CMH



Ref. R.O.
REC6H3-14590-00 6H3-14590-01

MOTORES / ENGINES / MOTORI

E60/60FE/TR
70BET/TR



Ref. R.O.
REC688-14947-00 688-14947-00

MOTORES / ENGINES / MOTORI

75A/AE
85A/AE



VALVULA DE LÁMINAS VALVE OF SHEETS VALVOLA

Ref.	R.O.
REC6F6-13610-00	6F6-13610-00

MOTORES / ENGINES / MOTORI
40G/E40G
40J/E40J



TORNILLOS CARBURADOR BOLT SCREW VITE CARBURATORE

Ref.	R.O.
REC624-42542-00	90387-06119

MOTORES / ENGINES / MOTORI
3>300HP



Ref.	R.O.
REC647-14323-00	647-14323-00

MOTORES / ENGINES / MOTORI
E8D 5C
4A/MS 15D
9.9D 25D
20C 30A



Ref.	R.O.
REC679-14923-00	679-14923-00

MOTORES / ENGINES / MOTORI
9.9F/M 13.5 AM
E9.9D 8N/C/J
15F/M 6C/D/TR/M
E15D 3A



Ref.	R.O.
REC6A0-14325-00	6A0-14325-00

MOTORES / ENGINES / MOTORI
15>300HP



Ref.	R.O.
REC50M-14355-00	50M-14355-00

MOTORES / ENGINES / MOTORI
20>50HP



Ref.	R.O.
REC66T-14992-00	66T-14992-00

MOTORES / ENGINES / MOTORI
40X/E40X/E40M



Ref.	R.O.
REC6F5-14323-00	6F5-14323-01

MOTORES / ENGINES / MOTORI
E40G/E40J
40G/40J



Ref.	R.O.
REC692-14923-00	692-14923-00

MOTORES / ENGINES / MOTORI
40>90HP



Ref.	R.O.
REC663-14923-00	663-14923-00

MOTORES / ENGINES / MOTORI
E48C
55B
E55CMH



Ref.	R.O.
REC6E5-14328-01	6E5-14328-01

MOTORES / ENGINES / MOTORI
115>225HP



Ref.	R.O.
REC64D-14394-00	64D-14394-00

MOTORES / ENGINES / MOTORI
115-225HP



Ref.	R.O.
REC6E5-14323-03	6E5-14323-03

MOTORES / ENGINES / MOTORI
115>250

BOYAS FLOATS GALLEGGIANTI

Ref.	R.O.
REC6G1-14985-00	647-14323-00

MOTORES / ENGINES / MOTORI
3A/M 70B
E60 40N-H
8C-M/T 50E-D
60F 6C/M/D



Ref.	R.O.
REC647-14385-00	647-14385-00

MOTORES / ENGINES / MOTORI
4AC 9.9D
5C 15D



Ref.	R.O.
REC6E7-14385-00	6E7-14385-00

MOTORES / ENGINES / MOTORI
4AC 9.9D
5C 15D
E8D



Ref.	R.O.
REC676-14966-00	679-14966-00

MOTORES / ENGINES / MOTORI
8>100HP



Ref.	R.O.
REC63V-14985-00	63V-14985-00

MOTORES / ENGINES / MOTORI
9.9F-M F25
13.5A F30
15F-M F40
F20



Ref.	R.O.
REC6L2-14385-00	6L2-14385-00

MOTORES / ENGINES / MOTORI
13.5>60HP



Ref.	R.O.
REC648-14385-00	648-14385-00

MOTORES / ENGINES / MOTORI
20C
25D
30A



Ref.	R.O.
REC6F6-14385-00	6F6-14385-00

MOTORES / ENGINES / MOTORI
40G/J
E40G/J



Ref.	R.O.
REC676-14985-01	676-14985-01

MOTORES / ENGINES / MOTORI
40Q 80A
75A 85A
E75B 90A/E



Ref.	R.O.
REC6E5-14385-02	6E5-14385-02

MOTORES / ENGINES / MOTORI

40X	175D/A
E40	200A
100A	200G/F/B
115C	225D
115A-B	225A
130B	250G
150F/A	



**PASADOR BOYA
PIN FLOAT
SPINOTTO GALLEGGIANTE**

Ref.	R.O.
REC688-14548-00	688-14548-00

MOTORES / ENGINES / MOTORI
3>90HP



Ref.	R.O.
REC676-14186-00	676-14186-00

MOTORES / ENGINES / MOTORI
3>100HP



Ref.	R.O.
REC647-14386-10	647-14386-10

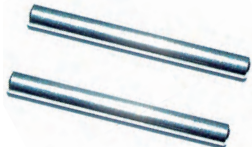
MOTORES / ENGINES / MOTORI

4AC/M/AS	9.9D
FT/F9.9A/B	F8AM/BM
5C/CM/CS	15D
T9.9EL	



Ref.	R.O.
PAF25-05070019	6H4-14548-00

MOTORES / ENGINES / MOTORI
9.9>100HP



Ref.	R.O.
REC6E5-14386-01	6E5-14386-01

MOTORES / ENGINES / MOTORI
9.9>200HP



Ref.	R.O.
REC663-14548-00	663-14548-00

MOTORES / ENGINES / MOTORI

E48C	
55B	
E55CMH	



Ref.	R.O.
REC6E5-14386-02	6E5-14386-02

MOTORES / ENGINES / MOTORI
115>200HP



**CABLE ACELERADOR Y COMPLEMENTOS
THROTTLE CABLE & COMPLEMENT
CAVO ACCELERATORE E COMPONENTI**

Ref.	R.O.
REC6E0-26301-01	6E0-26301-01

MOTORES / ENGINES / MOTORI

4AC/A/AS	
5C/CS/CMH	



Ref.	R.O.
REC677-26301-02	677-26301-02

MOTORES / ENGINES / MOTORI

E8D	
E8DMH	



Ref.	R.O.
REC6L2-26301-00	6L2-26301-00

MOTORES / ENGINES / MOTORI

9.9F/FM	
13.5AM	
15F/FM	
20D/M	
25N/NE/NW/D/M	



Ref.	R.O.
REC6B4-26301-00	6B4-26301-00

MOTORES / ENGINES / MOTORI

E15D	
E9.9D	



Ref.	R.O.
REC61N-26311-00	61N-26311-00

MOTORES / ENGINES / MOTORI

25B/BM/V	
30G/E30H	



Ref.	R.O.
REC6F5-26311-00	6F5-26311-00

MOTORES / ENGINES / MOTORI

E40G/J	
40G/J	



Ref.	R.O.
REC66T-26301-00	66T-26301-00

MOTORES / ENGINES / MOTORI

40X/E40X	
----------	--



Ref.	R.O.
REC663-42138-00	663-42138-00

MOTORES / ENGINES / MOTORI

55B/BET	
E55	
E60	
75A5	
85AE	



Ref.	R.O.
REC663-48344-00	663-48344-00

MOTORES / ENGINES / MOTORI

6>115HP	
---------	--



BOMBA COMBUSTIBLE FUEL PUMP POMPA BENZINA

Ref.	R.O.
REC6E5-24410-03	6E5-24410-01-00

MOTORES / ENGINES / MOTORI
V4
V6 (1989-03)



Ref.	R.O.
PAF4-04090000	67D-24410-03

MOTORES / ENGINES / MOTORI
F4



Ref.	R.O.
PAF15-07140000	66M-24410-11

MOTORES / ENGINES / MOTORI
F9.9/13.5/15



Ref.	R.O.
REC692-24410-00	692-24410-00, 6A0-24410-00/05/03/04

MOTORES / ENGINES / MOTORI
25-85HP



Ref.	R.O.
PAF25-05130000	62Y-24410-04

MOTORES / ENGINES / MOTORI
F20/25//30/40/45/50/60



Ref.	R.O.
REC68F-13907-01	68F-13907-01

MOTORES / ENGINES / MOTORI
VZ, Z150 (2000-07)
VZ, Z175 (2001-07)
V, L, Z200 (2000-07)



Ref.	R.O.
REC66K-13907-00	66K-13907-00

MOTORES / ENGINES / MOTORI
225G (1999-01)
250B
SX250 TXR (2000-01)



Ref.	R.O.
REC60V-13907-00	60V-13907-00

MOTORES / ENGINES / MOTORI
Z, LZ 250 (2003-07)
Z, LZ 300 (2003-07)



Ref.	R.O.
REC68V-13907-00	68V-13907-03

MOTORES / ENGINES / MOTORI
Z, LZ 250DET/TR/FET (2003-07)
Z, LZ 300AET/TR/TX (2004-07)



Ref.	R.O.
REC67H-13907-00	67H-13907-00

MOTORES / ENGINES / MOTORI
225G/GETOL/FETO (2003)
250B/BETO/TXRA (2003)



MEMBRANAS BOMBA COMBUSTIBLE FUEL PUMP DIAPHRAGMS MEMBRANA POMPA BENZINA

Ref.	R.O.
REC6G1-24411-00	6G1-24411-00

MOTORES / ENGINES / MOTORI
3-15HP



Ref.	R.O.
REC6E0-24411-00	6E0-24411-00

MOTORES / ENGINES / MOTORI
4C/5C/AC



Ref.	R.O.
REC6E0-24471-00	6E0-24471-00

MOTORES / ENGINES / MOTORI
4HP



Ref.	R.O.
REC6G1-24471-00	6G1-24471-00

MOTORES / ENGINES / MOTORI
6-8HP



Ref.	R.O.
REC677-24471-01	677-24471-01

MOTORES / ENGINES / MOTORI
E8D/9.9D/15D



Ref.	R.O.
REC63V-24411-00	63V-24411-00

MOTORES / ENGINES / MOTORI
9.9
13.5
15HP



Ref.	R.O.
REC677-24411-02	677-24411-02

MOTORES / ENGINES / MOTORI
9.9>15HP



Ref.	R.O.
REC648-24411-00	648-24411-00

MOTORES / ENGINES / MOTORI
20>70HP



Ref.	R.O.
REC692-24411-00	692-24411-00

MOTORES / ENGINES / MOTORI
20>90HP



Ref.	R.O.
PAF25-05130005	62Y-24471-00

MOTORES / ENGINES / MOTORI
F25>F80HP



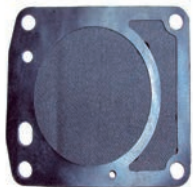
Ref.	R.O.
REC663-24411-00	663-24411-00

MOTORES / ENGINES / MOTORI
25>90HP



Ref.	R.O.
REC6J8-24471-00	6J8-24471-00

MOTORES / ENGINES / MOTORI
30HP



Ref.	R.O.
REC6E5-24411-00	6E5-24411-00-00

MOTORES / ENGINES / MOTORI
115/150/175/200HP



Ref.	R.O.
REC6E5-24471-00	6E5-24471-00

MOTORES / ENGINES / MOTORI
115>250HP



JUNTAS BOMBA COMBUSTIBLE FUEL PUMP GASKETS GUARNIZIONI POMPA BENZINA

Ref.	R.O.
REC6G1-24431-01	6G1-24431-01

MOTORES / ENGINES / MOTORI
3A/MSH
6C/CEM/D/DEM/TRV/MSH/CMH
8C/CEM/TRV/MSH/CMH/MH
9.9F
13.5AWH
15F



Ref.	R.O.
REC6E0-24434-00	6G1-24431-01

MOTORES / ENGINES / MOTORI
4AC/MSH/AS/A
5C/CS/CMH



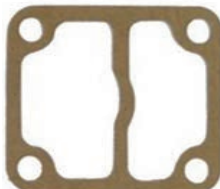
Ref.	R.O.
REC6E0-24435-00	6E0-24435-00

MOTORES / ENGINES / MOTORI
4AC/MSH/AS/A
5C/CS/CMH



Ref.	R.O.
REC677-24435-01	677-24435-01

MOTORES / ENGINES / MOTORI
9.9D 20DM/DEO
15D 25NE/NEMO



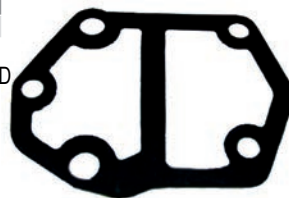
Ref.	R.O.
REC648-24434-01	648-24434-01

MOTORES / ENGINES / MOTORI
20C/CM 50G/GEO/GETO/H/D
25Q/D/B/BMH 55B/BE
25V/VE 60FEO/FETO/TLR
E30HMH E60H
30G/H 70B/BETO
40V/VM/VE/YE 75CETO/AE
C40 E75B
E40 80A/AE
E40X 85A/AE
40X 90A/AEO/AET



Ref.	R.O.
REC648-24435-02	648-24435-02

MOTORES / ENGINES / MOTORI
20C/CM 50G/GEO/GETO/H/D
25Q/D/B/BMH 55B/BE
25V/VE 60FEO/FETO/TLR
E30HMH E60H
30G/H 70B/BETO
40V/VM/VE/YE 75CETO/AE
C40 E75B
E40 80A/AE
E40X 85A/AE
40X 90A/AEO/AET



Ref.	R.O.
REC650-24431-A0	650-24431-A0

MOTORES / ENGINES / MOTORI
25-300HP



Ref.	R.O.
REC6E5-24435-00	6E5-24435-00

MOTORES / ENGINES / MOTORI
100A/TLR 200AETO/ETN
115A/ETN/BET/B/ V200/G/BETO
BICET/TLR 220AET
130BETO 225DET/BETO
140AETO 250AET
150AETO/ETN/FETO Z300
175AETO/DETO/BETO



Ref.	R.O.
REC6E5-24434-02	6E5-24434-02

MOTORES / ENGINES / MOTORI
100A/TLR 200AETO/ETN
115A/ETN/BET/B/ V200/G/BETO
BICET/TLR 220AET
130BETO 225DET/BETO
140AETO 250AET
150AETO/ETN/FETO Z300
175AETO/DETO/BETO



TERMOSTATO THERMOSTAT TERMOSTATO

Ref.	R.O.
PAT15-04000010	69M-12411-01-00

MOTORES / ENGINES / MOTORI
F2.5MSH-0405 F2.5MSH-0408
F2.5MSH-0406 F2.5MSH-0408
F2.5MSH-0407 F2.5MSH-2005



Ref.	R.O.
REC6E5-12411-02	6E5-12411-02

MOTORES / ENGINES / MOTORI
8MSH-(0405) 8MSH-(2006-08)
8MSH-(046) 8MSHD-(2000-05)
8MSH-(0407)



Ref.	R.O.
GLM13010	6F5-12411-03

MOTORES / ENGINES / MOTORI
9.9EL C40MS
9.9ES C40PL (1992-97)
15EL C30EL (1991-92)
15ES (1986-95) CV30EL (1989-90)
9.9L C40ML (1994-95)
9.9S C55TL (1993-95)
15L CV25EL
15S (1986-90) CV25EM
9.9M CV40EL (1990)
15ML CV55EL (1989)
C55EL 1991-95)
C25EL
C40EL (1991-97)
C25ML (1993-97)
C25MS



Ref.	R.O.
REC6E5-12411-30	6E5-12411-30

MOTORES / ENGINES / MOTORI

9.9-15 (1996-06)
 20 (1996-97)
 25 (1988-95)
 30, 3-cyl (1987-91)
 40 (1986-05)
 C40 3cyl (1998-02)
 50 (1986-05)
 C50 (1998-01)
 P50 (1987-96)
 115(1984-05)
 B115 (1998-99)
 C115 (1991-00)
 P115(1993-96)
 S115/S130 (1996-98)
 130L/130 (1988-05)
 150/175/200 (1986-05)
 C150 (1996-99)
 D150/DX150 (1997-05)
 L150/L200 (1986-99)
 LX150/LX200 (1999-01)
 P150 (1986-99)
 PX150 (1999)
 SX150/SX200 (1999-04)
 V150 (2000-05)

VX150 (2000-05)
 VZ150/VZ175/VZ200 (2001-05)
 Z150/Z175/Z200 (2000-05)
 P200 (1991-93)
 V200/V225 (1998-99)
 VX200/VX225 (2000-05)
 V6 Special (1984-86)
 V6 Excel (1987-89)
 225 2.6L (1990-97)
 S225/L225 3.1L (1994-99)
 SX225/LX225 3.1L (2000-02)
 250/L250 2.6L (1990-95)
 S250/L250 3.1L (1996-99)
 SX250/LX250 3.1L (2000-02)
 VX250 3.1L (2002-04)



Ref.	R.O.
PAF15-07000031	66M-12411-01

MOTORES / ENGINES / MOTORI

15 (2006) F60 (2002-06)
 F15 (1998-06) F9.9 (2005-06)
 F25 (1999-06) T25 (2001-06)
 F30 (2001-06) T50 (1996-06)
 F40 (1999-06) T60 (2003-06)
 F50 (1996-06) T9.9 (2005-06)



Ref.	R.O.
REC688-12411-10	688-12411-11

MOTORES / ENGINES / MOTORI

25JEO/J/ESH
 30DETO/DMH/MLH/DEO/ELH
 75CETO/TLR/AE/E75B
 80AEO/AET/AEM
 85A/AE
 90AET/TLRC/AEO



Ref.	R.O.
REC6H3-12411-10	6H3-12411-11

MOTORES / ENGINES / MOTORI

60TLR-(0402)
 70TLR-(0405)
 70TLR-(0406)
 70TLR-(0407)
 70TLR-(0408)



Ref.	R.O.
REC67F-12411-01	67F-12411-01

MOTORES / ENGINES / MOTORI

F75BET/TR/TLR F225AET/TR/TXR/
 F80CED/BET BET/CET
 F100BET/AET F250BET/AET/TXR/
 F150AET/TLR/TR/BET TVR
 F200AET/TXR/C/CET



Ref.	R.O.
REC60V-12411-00	60V-12411-00

MOTORES / ENGINES / MOTORI

Z-LZ250DETO/TR/TXR
 ZV250FETO (2003-07)
 F115AET/TR/TJR/TRG/A (2015+)
 300ZLZ/AETO/
 TR/TXR (2004-07)



**JUNTAS TERMOSTATO
 THERMOSTAT GASKET
 GUARNIZIONI TERMOSTATO**

Ref.	R.O.
PAF4-04000011	68D-E2414-A0

MOTORES / ENGINES / MOTORI

F2.5
 F4
 F5
 F6



Ref.	R.O.
PAF4-04000011	6G8-12414-A0

MOTORES / ENGINES / MOTORI

T8/T9.9
 F6/8/9.9
 FT8/9.9



Ref.	R.O.
PAF15-07010022	62Y-12414-00

MOTORES / ENGINES / MOTORI

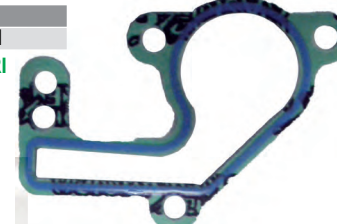
F9.9 FT25
 F60 FT50
 F30 FT60
 F13.5 F15/20/25/40/45/50
 F70 T50TLR
 FT9.9 T60TLR
 T9.9TLR T25TLR



Ref.	R.O.
REC682-12414-A1	682-12414-A1

MOTORES / ENGINES / MOTORI

9.9D/F/FMH/FEMH/MH/MSH
 15D
 E9.9DMH
 13.5AMH
 15F/FEMH/FMH/MSH/MH
 E15DMH



Ref.	R.O.
REC61A-12414-A0	61A-12414-A0

MOTORES / ENGINES / MOTORI

20DM/MSH
 25J/JETO/NEM/NWC/D/DM
 30D/DMH
 40V/VMH/VEO
 C40MLH/T
 50H/HM
 225C/CET/FETO/G
 250AET/B/TXR/G/GETO



Ref.	R.O.
REC655-12414-A1	655-12414-A1

MOTORES / ENGINES / MOTORI

20C/CM
 E25A
 E25BMH
 25VE/VM/DE/D/B/BMH/BWH/HMH
 30G/GE/A
 E30MHM
 30MHM/HWH/HWL



Ref.	R.O.
REC676-12414-A0	676-12414-A1

MOTORES / ENGINES / MOTORI

40X/E40X/E40MLH



Ref.	R.O.
REC6E9-12414-A1	6E9-12414-A1

MOTORES / ENGINES / MOTORI

40QE/QM/QEZ/QWC/GWH/JWH
 E40GMH/JMH



Ref.	R.O.
REC663-12414-00	663-12414-A0

MOTORES / ENGINES / MOTORI
E48CMHS
55B/BET/BE/BM
E55CMH



Ref.	R.O.
REC688-12414-A1	688-12414-A1

MOTORES / ENGINES / MOTORI
75CETO/AE Z150
E75B 175D/DETO/DETO
80AE/A Z175
85AE/A 225D/DETO
90AE/TLR VZ200
100A/TLR Z200
115BE/B 200AET/CETO/F/
115A/AETO/CET FETO/G/GETO
130BETO/TLR
150F/TXRA/FETO/C



COLAS COMPLETAS COMPLETE GEARCASE ASSEMBLY PIEDI COMPLETI

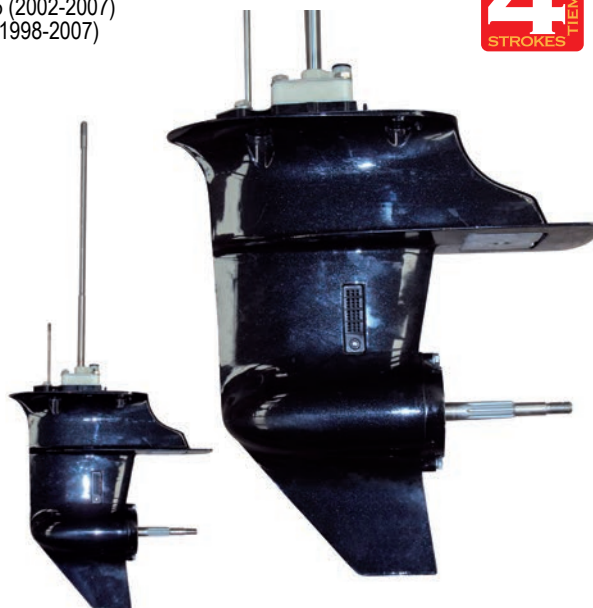
Ref.	R.O.	Cola completa Complete gearcase Piedi completi	Reducción Gear ratio Riduzione
PAF2.6-03020000S	69M-65300-01-4D	17"	2.08
PAF2.6-03020000L	69M-65300-11-4D	22"	2.08

MOTORES / ENGINES / MOTORI
F2.5 (2003+)



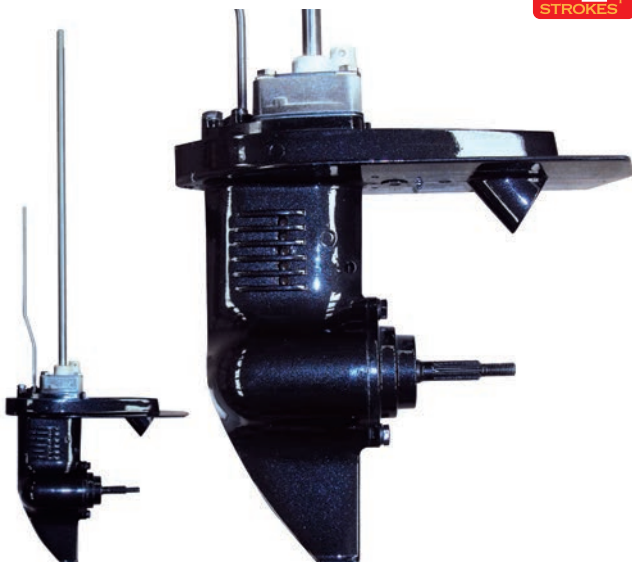
Ref.	R.O.	Cola completa Complete gearcase Piedi completi	Reducción Gear ratio Riduzione
PAF15-06100000S	66M-45300-02-4D	17.3"	2.08
PAF15-06100000L	66M-45300-11-4D	22.3"	2.08

MOTORES / ENGINES / MOTORI
F9.9 (1998-2008)
F13.5 (2002-2007)
F15 (1998-2007)



Ref.	R.O.	Cola completa Complete gearcase Piedi completi	Reducción Gear ratio Riduzione
PAF4-0310000S	68D-65300-03-4D	17.1"	2.08
PAF4-0310000L	68D-65300-11-4D	22.1"	2.08

MOTORES / ENGINES / MOTORI
F4 (1998-2009)



Ref.	R.O.	Cola completa Complete gearcase Piedi completi	Reducción Gear ratio Riduzione
PAF25-04090000S	65W-45300-01-4D	16.6"	2.08
PAF25-04090000L	65W-45300-01-4D	21.6"	2.08

MOTORES / ENGINES / MOTORI
F20 (1998-2003)
F25 (1998+)



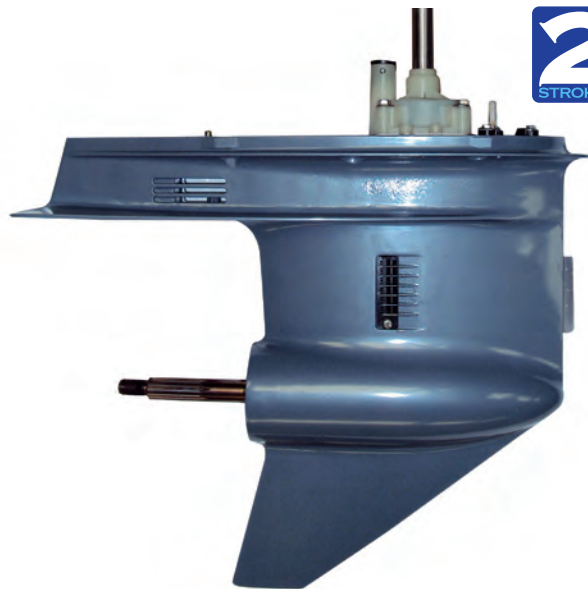
YAMAHA

**RECAMBIOS
MARINOS S.L.**

Ref.	R.O.	Cola completa Complete gearcase Piedi completi	Reducción Gear ratio Riduzione
REC405-A20	6E5-45300-17-8D	20" V4	2.0:1
REC405-A25	6E5-45300-27-8D	25" V4	2.0:1

MOTORES / ENGINES / MOTORI

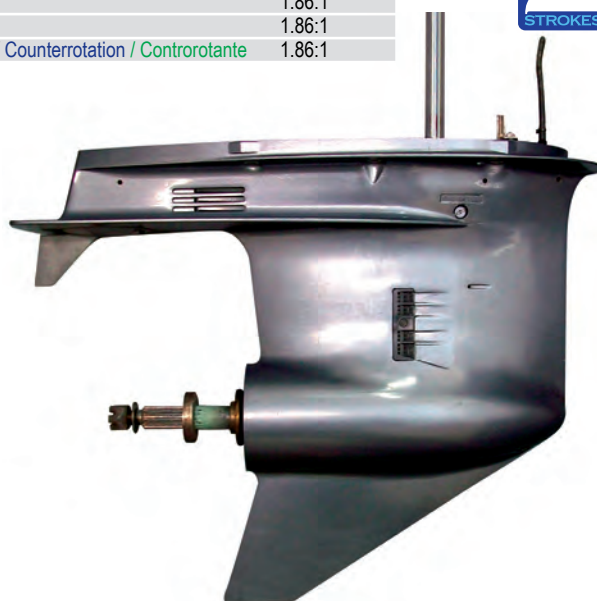
115HP (1984+)
130HP (1987+)



Ref.	R.O.	Cola completa Complete gearcase Piedi completi	Reducción Gear ratio Riduzione
REC416-A20	64D-45300-01-8D	20" V6 90° 2.6L	1.86:1
REC416-A25	64D-45300-21-8D	25" V6 90° 2.6L	1.86:1
REC418-A25	64P-45300-10-8D	25" V6 90° 2.6L	Contrarrotación/ Counterrotation / Controrotante 1.86:1

MOTORES / ENGINES / MOTORI

150HP (1984+)
175HP (1984+)
200HP (1984+)
225HP (1990+)



Ref.	R.O.	Cola completa Complete gearcase Piedi completi	Reducción Gear ratio Riduzione
REC421-A20	66K-45300-12-NA	20" V6 76° 3.1L / 3.2 L	1.81
REC421-A25	60V-45300-20-8D	25" V6 76°	1.81
REC428-A25	60W-45300-20-8D	25" V6 90° 3.1L / 3.2 L	Contrarrotación/ Counterrotation / Controrotante 1.81

MOTORES / ENGINES / MOTORI

V6
250D / DETO / DETOX / TR / TXR

No funciona en 250HP (4T)
Does not work on 250HP (4-Stroke)
Non funziona con i 250HP (4 tempi)



Ref.	R.O.	Cola completa Complete gearcase Piedi completi	Reducción Gear ratio Riduzione
REC416-B20	64K-45300-02-NA	20" V6 90° 2.6L	2.0:1



MOTORES / ENGINES / MOTORI

150HP (1987+) 200HP (1989+)
175HP (1989+) 225HP (1992+)

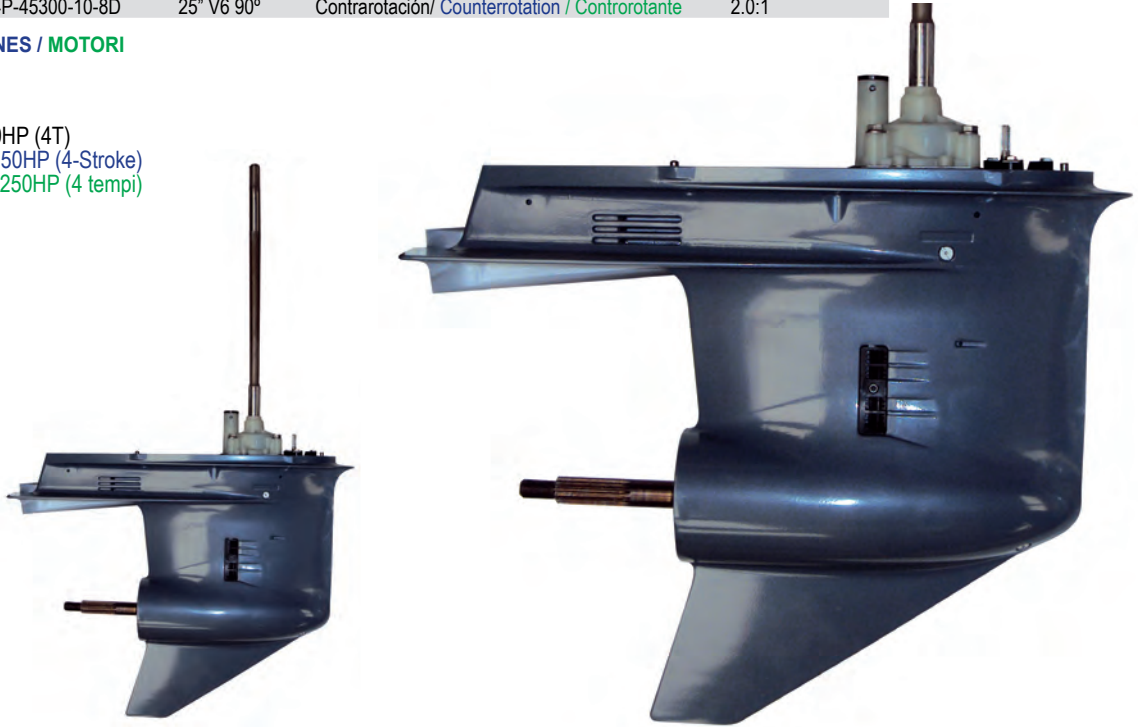
Ref.	R.O.	Cola completa Complete gearcase Piedi completi	Reducción Gear ratio Riduzione
REC416-B20F	63P-45300-00-8D	20" V6 90°	2.0:1
REC416-B25F	63P-45300-10-8D	20" V6 90°	Contrarotación/ Counterrotation / Controrotante
REC418-B25F	64P-45300-10-8D	25" V6 90°	Contrarotación/ Counterrotation / Controrotante



MOTORES / ENGINES / MOTORI

20" --> F150HP
25" --> LF150 HP

No funciona en 250HP (4T)
Does not work on 250HP (4-Stroke)
Non funziona con i 250HP (4 tempi)

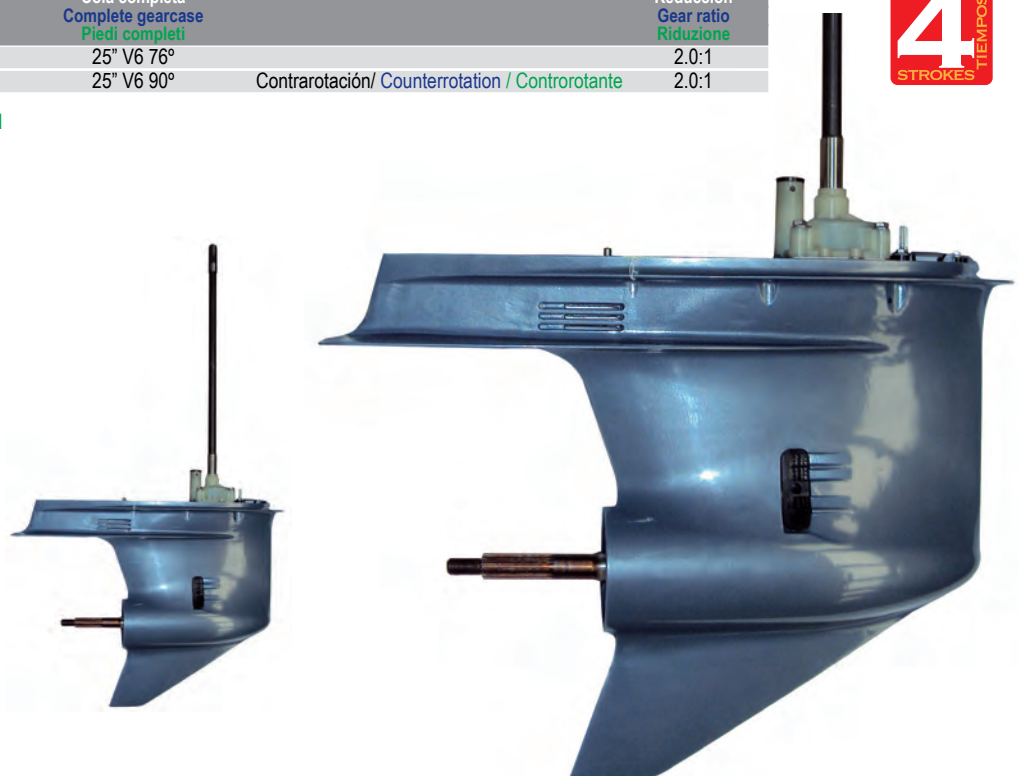


Ref.	R.O.	Cola completa Complete gearcase Piedi completi	Reducción Gear ratio Riduzione
REC421-B25F	69J-45300-21-8D	25" V6 76°	2.0:1
REC428-B25F	69K-45300-21-8D	25" V6 90°	Contrarotación/ Counterrotation / Controrotante



MOTORES / ENGINES / MOTORI

F200 HP
F225 HP



YAMAHA

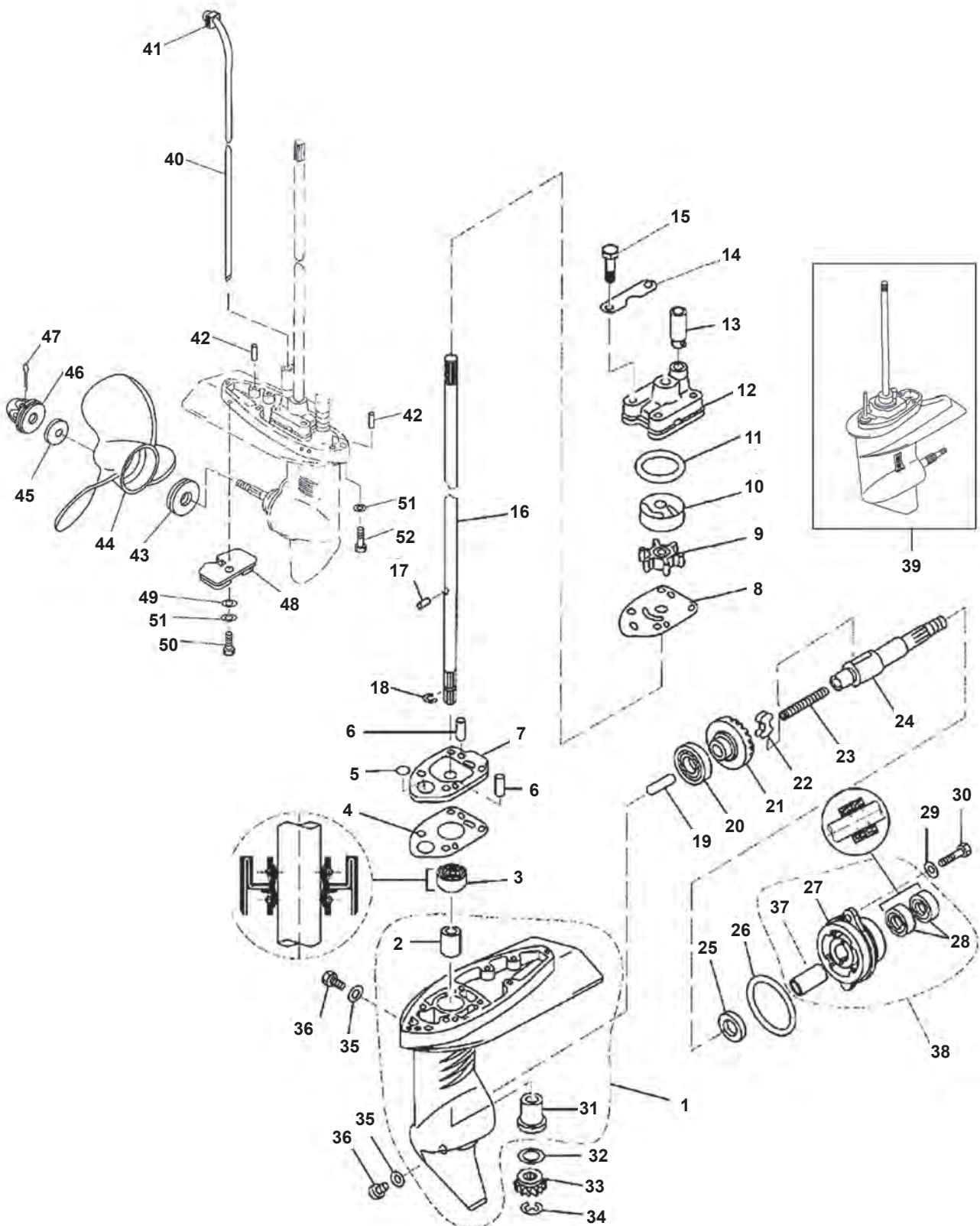
**RECAMBIOS
MARINOS s.l.**

DESPIECE COLA GEARCASE COMPONENTS ESPLOSO PIEDE

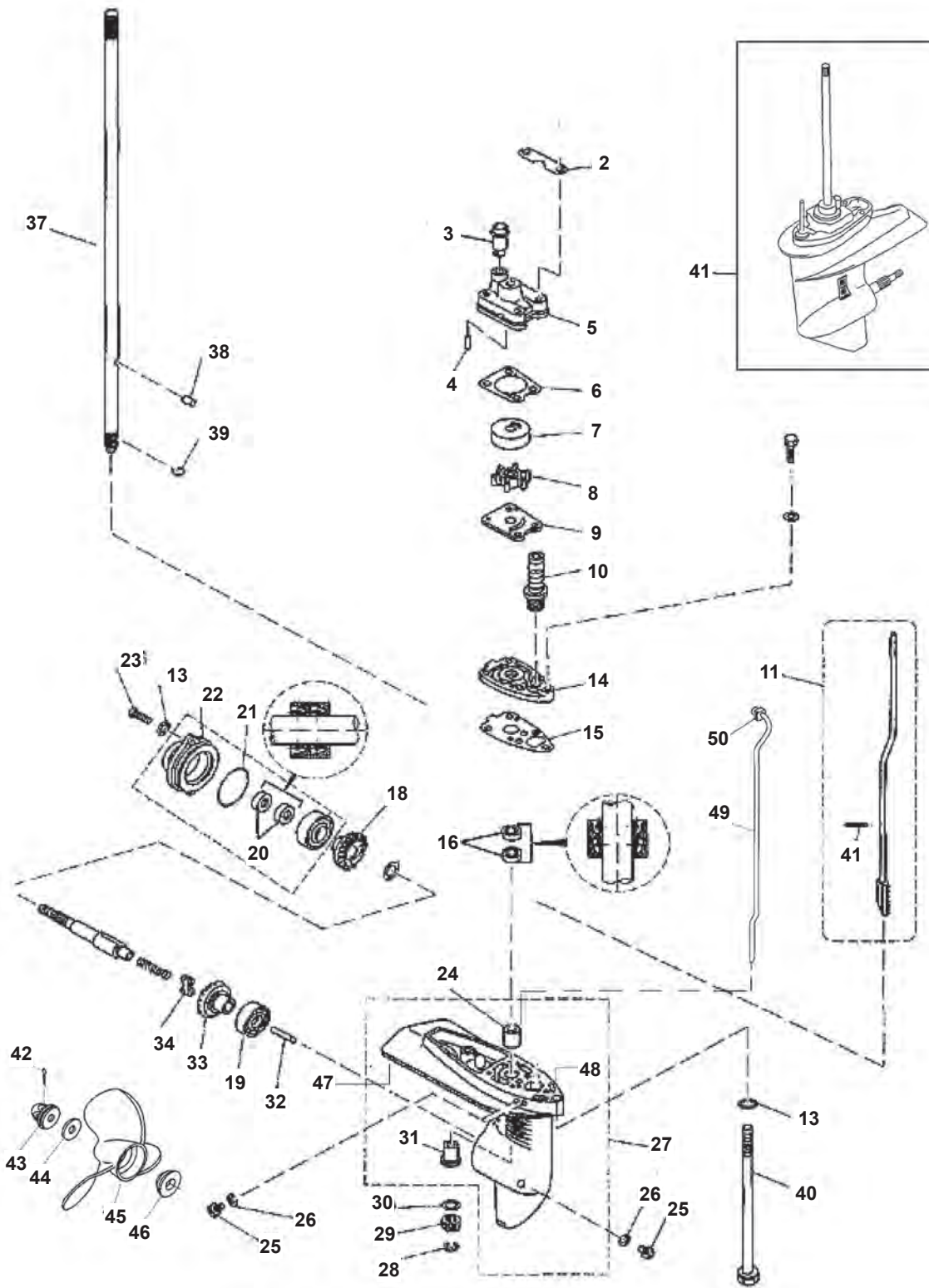
RECMAR®

4
TIEMPOS
STROKES

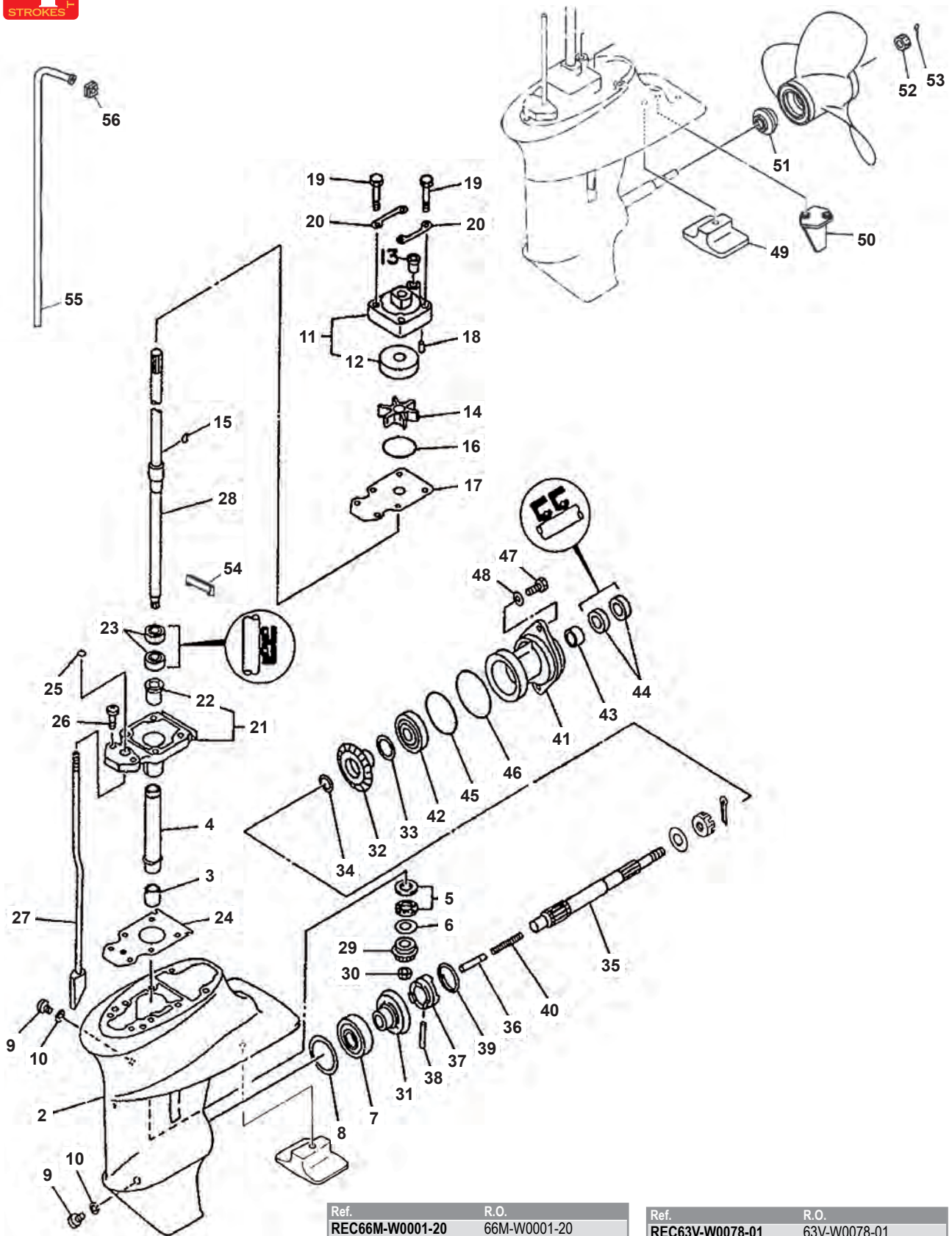
F2.5 (2003+)



Nº	R.O.	OEM	Ref.	Descripción	Description	Descrizione
1	69M-G5311-00-4D		PAF2.6-03000001	CARCASA	LOWER CASING	CARCASSA
2	6L5-45316-09		PAF2.6-03000003	COJINETE	BEARING	CUSCINETTO
3	93103-09M41		PAF2.6-03000004	RETÉN	OIL SEAL	PARAOILIO
4	69M-G5315-A0		PAF2.6-03000007	JUNTA	GASKET, WATER PUMP	GUARNIZIONE
5	93210-05001		PAF2.6-03000009	ARO TÓRICO	O-RING	O-RING
6	93604-18080		PAF4-03000013	PASADOR	PIN	SPINOTTO
7	69M-G5321-00-94		PAF2.6-03000008	CUERPO BOMBA	HOUSING, WATER PUMP	CORPO POMPA ACQUA
8	69M-G4323-00		PAF2.6-03000010	PLACA	OUT PLATE	PIASTRA
9	6L5-44352-00		PAF2.6-03000100	TURBINA	IMPELLER ASSY	GIRANTE
10	6L5-44322-00		PAF2.6-03000015	TAPA BOMBA AGUA	COVER, INNER WATER PUMP	TAPPO
11	93210-33M85		PAJASO F404 19-033	ARO TÓRICO	O-RING	O-RING
12	69M-G4311-00		PAF2.6-03000014	CUERPO BOMBA	WATER PUMP HOUSING	CORPO POMPA ACQUA
13	6R0-44366-00		PAF4-03000021	TUBO BOMBA AGUA	RUBBER TUBE, WATER PUMP	TUBO
14	69M-G4328-00		PAF2.6-03000016	PLATO BOMBA DE AGUA	PLATE, WATER PUMP FIXED	PIASTRA
15	97095-06040		PAGB/T5783-2000	TORNILLO	BOLT	VITE
16	69M-G5511-00		PAF2.6-03000011	EJE VERTICAL	DRIVE SHAFT	ASSE VERTICALE
17	93604-07M13		PAF2.6-03000013	PASADOR	PIN	SPINOTTO
18	93440-08819		PAF2.6-03000012	CLIP	BOLT, DISCHARGING OIL	TAPPO
19	69M-G5635-00		PAF2.6-03000020	TAPÓN CAMBIO	PLUG, SHIFT	TAPPO
20	93316-003Y0		PANTN 16003 EY	COJINETE	BALL BEARING	CUSCINETTO
21	6L5-45560-00		PAF2.6-03000019	MARCHA POSITIVA	POSITIVE GEAR ASSY	MARCIA AVANTI
22	6L5-45631-00		PAF2.6-03000202	SELECTOR	CLUTCH BLOCK	SELETTORE
23	90501-10064		PAF4-03030003	MUELLE	SPRING, CLUTCH BLOCK	MOLLA
24	6L5-45631-00		PAF2.6-030000201	EJE HÉLICE	SHAFT, PROPELLER	ASSE ELICA
25	90201-13198		PAF2.6-03000021	ARANDELA	WASHER	RONDELLA
26	93210-48214		PAJISB 2401 P48	ARO TÓRICO	O-RING	O-RING
27	69M-G5361-00-4D		PAF2.6-03000301	TAPA CARTER	COVER, LOWER CASING	TAPPO CARTER
28	93101-13M12		PAF4-03050002	RETÉN	OIL SEAL	PARAOILIO
29	92995-06600		PAGB/T5783-2000	TORNILLO	BOLT	VITE
30	97095-06016		PAGB/T97.1-85	ARANDELA	WASHER	RONDELLA
31	6L5-45317-09		PAF2.6-03000002	COJINETE	BEARING	CUSCINETTO
32	6L5-45533-00-20		PAF2.6-03000017	GRUESO	SHIM (t: 2.0mm)	SPESSORE
33	6L5-45551-00		PAF2.6-03000018	MARCHA	INITIATIVE GEAR	MARCIA
34	99001-06600		PAGB/T-896-86	CERCLIP	CIRCLIP	CIRCLIP
35	90430-08020		PAF4-03000024	JUNTA	GASKET	GUARNIZIONE
36	90340-08002		PAF4-03000023	TAPÓN ACEITE	PLUG, OIL HOLE	TAPPO
37			PAF2.6-03000302	COJINETE CAMISA	BEARING, SLEEVE	CUSCINETTO ASSE
38			PAF2.6-03000300	TAPA CARTER	COVER ASSY, LOWER CASING	TAPPO
39	69M-G5300-01-4D		PAF2.6-0300000L	COLA COMPLETA -GRANDE	COMPLETE GEAR HOUSING -LARGE	PIEDE COMPLETO -GRANDE
39	69M-G5300-00-4D		PAF2.6-0300000S	COLA COMPLETA -PEQUEÑA	COMPLETE GEAR HOUSING -SMALL	PIEDE COMPLETO -PICCOLO
40	69M-44361-00		PAF2.6-02000003	TUBO AGUA	WATER TUBE	TUBO
41	68D-G4365-00		PAF4-02040002	BANDA DE GOMA	I-SHAPED RUBBER BAND	BOCCOLA
42	93604-12M07		PAF15-00000013	PASADOR	PIN	SPINOTTO
43	68D-G5978-00		PAF4-03000025	ESPACIADOR	SPACER	SPESSORE
44	6L5-45943-00-EL		PAF2.6-03010000	HÉLICE	PROPELLER ASSY	ELICHE
45	90201-08M54		PAF4-03000026	ARANDELA	WASHER	RONDELLA
46	6L5-45616-00		PAF4-03080000	TUERCA	NUT ASSY	DADO
47	91490-25030		PAGB/T91-86	PASADOR ALETAS	PIN, COTTER	SPINOTTO
48	68D-G5251-00		PAF4-03000022	ÁNODO	ANODE	ANODO
49	92990-06300		PAGB/T861.1-87	ARANDELA	WASHER, INTERNAL TOOCH	RONDELLA
50	95895-06020		PAGB/T5783-2000	TORNILLO	BOLT	VITE
51			PAGB/T97.1-85	ARANDELA	WASHER	RONDELLA
52	97095-06030		PAGB/T5783-2000	TORNILLO	BOLT	VITE



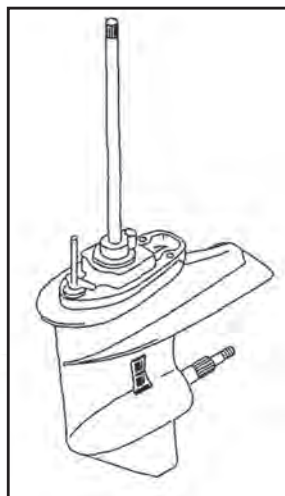
Nº	R.O.	OEM	Ref.	Descripción	Description	Descrizione
2	68D-G4328-00		PAF4-03000020	PLATO BOMBA AGUA	PLATE, WATER PUMP FIXED	PIASTRA POMPA
3	67D-44366-00		PAF4-03000021	TUBO GOMA BOMBA AGUA	RUBBER TUBE, WATER PUMP	TUBO
4	93604-18080		PAF4-03000013	PASADOR BOMBA AGUA	PIN, WATER PUMP	SPINOTTO POMPA ACQUA
5	68D-G4311-01		PAF4-03000019	CUERPO BOMBA AGUA	HOUSING, WATER PUMP	CORPO POMPA
6	68D-G4315-A0		PAF4-03000018	JUNTA TAPA BOMBA AGUA	GASKET, WATER PUMP COVER	GUARNIZIONE
7	6E0-44322-02		PAF4-03000017	TAPA, BOMBA AGUA	COVER, INNER WATER PUMP	COPERCHIO
8	6E0-44352-00		PAF4-03060000	TURBINA BOMBA AGUA	IMPELLER, WATER PUMP	GIRANTE POMPA
9	6E0-44323-00		PAF4-03000015	PLATO	OUT PLATE	PIASTRA
10	6L2-44147-00		PAF4-03000014	GOMA, VARILLA DE CAMBIO	RUBBER JACKET, SHIFT ROD	GOMMA, ASTICELLA CAMBIO
11	68D-G4150-10		PAF4-03020000	VARILLA SELECTOR	CAM ASSY, SHIFT ROD	ASTICELLA CAMBIO
11	68D-G4150-00		PAF4-03020000S	VARILLA SELECTOR	CAM ASSY, SHIFT ROD -SMALL	ASTICELLA CAMBIO -CORTO
14	68D-G5321-00		PAF4-03000012	BASE BOMBA AGUA	BASE, WATER PUMP	BASE POMPA
15	68D-G5315-A0		PAF4-03000011	JUNTA HERMÉTICA BASE	HERMETIC GASKET, WATER PUMP BASE	GUARNIZIONE BASE POMPA ACQUA
16	93101-10M14		PAF4-03000027	RETÉN	OIL SEAL	PARAOLIO
18	67D-45570-00		PAF4-03040000	MARCHA INVERSA	REVERSE GEAR ASSY	RETROMARCIA
20	93101-13M12		PAF4-03050002	RETÉN	OIL SEAL	PARAOLIO
21	93210-48214		PAJISB2401 P48	ARO TÓRICO	O-RING	O-RING
22	68D-G5361-00-4D		PAF4-03050001	TAPA CÁRTER	COVER, LOWER CASING	TAPPO CARTER
23	95895-06016-00		PAGB/T5783-2000	TORNILLO HEXAGONAL	HEXAGON BOLT M6x18	VITE
24	6E0-45316-09		PAF4-03000003	RODAMIENTO	BEARING	CUSCINETTO
25	90340-08002		PAF4-03000023	TAPA ACEITE	PLUG, OIL HOLE M80	TAPPO
26	90430-08020		PAF4-03000024	JUNTA	GASKET	GUARNIZIONE
27	68D-G5300-11-4D		PAF4-03000001	CÁRTER	LOWER CASING	CARTER
28	99001-06600		PAGB/T-896-86	CERCLIP	CIRCLIP 6	CIRCLIP
29	6E0-45551-00		PAF4-03000007	MARCHA INICIAL	INITIATIVE GEAR	MARCIA INIZIATIVA
30	90204-11M49		PAF4-03000006	ARANDELA	WASHER, INITIATIVE GEAR	RONDELLA
31	6E0-45317-09		PAF4-03000002	RODAMIENTO	BEARING	CUSCINETTO
32	67D-45635-00		PAF4-03000008	ÉMBOLO	PLUGER, SHIFT	BULLONE
33	67D-45560-00		PAF4-03010000	MARCHA POSITIVA	POSITIVE GEAR ASSY	MARCIA POSITIVA
34	67D-45631-01		PAF4-03030002	SELECTOR	CLUTCH BLOCK	SELETORE
37	6E0-45511-11		PAF4-03000004	EJE	SHAFT, DRIVE	ASSE
37	6E0-45511-01		PAF4-03000004	EJE	SHAFT, DRIVE -SMALL	ASSE
38	93604-09066		PAF4-03000016	PASADOR	PIN	SPINOTTO
39	90467-08M01		PAF4-03000005	CLIP	CLIP	CLIP
40			PAGB/T5782-2000	TORNILLO HEXAGONAL	HEXAGON BOLT L	VITE
40			PAGB/T5782-2000S	TORNILLO HEXAGONAL	HEXAGON BOLT S	VITE
41	68D-G5300-10-4D		PAF-0300000L	COLA COMPLETA -GRANDE	COMPLETE GEAR HOUSING -LARGE	PIEDE COMPLETO -LUNGO
41	68D-G5300-00-4D		PAF-0300000S	COLA COMPLETA -PEQUEÑA	COMPLETE GEAR HOUSING -SMALL	PIEDE COMPLETO -CORTO
42	91490-25030		GB/T91-86	PASADOR ALETAS	PIN, COTTER 2.5x30	PIN
43	6L5-45616-00		PAF4-03080000	TUERCA	NUT ASSY	DADO
44	90201-08M54		PAF4-03000026	ARANDELA INOX.	WASHER, STAINLESS STEEL	RONDELLA INOX.
45	6E0-45943-01-EL		PAF4-03070000	HÉLICE	PROPELLER ASSY	ASSE ELICA
46	68D-G5987-00		PAF4-03000025	ESPACIADOR	SPACER	SPESSORE
47	68D-G5251-00		PAF4-03000022	ÁNODO	ANODE	ANODO
48	90387-06806		PAF4-00000001	PASADOR VACÍO	HOLLOW PIN	SPINOTTO
49	68D-G4360-10		PAF4-02040001	TUBO AGUA	WATER TUBE ASSY	TUBO
49	68D-G4360-00		PAF4-02040001S	TUBO AGUA	WATER TUBE ASSY -SMALL	TUBO
50			PAF4-02040002	BANDA DE GOMA	I-SHAPED RUBBER BAND	NASTRO DI GOMMA



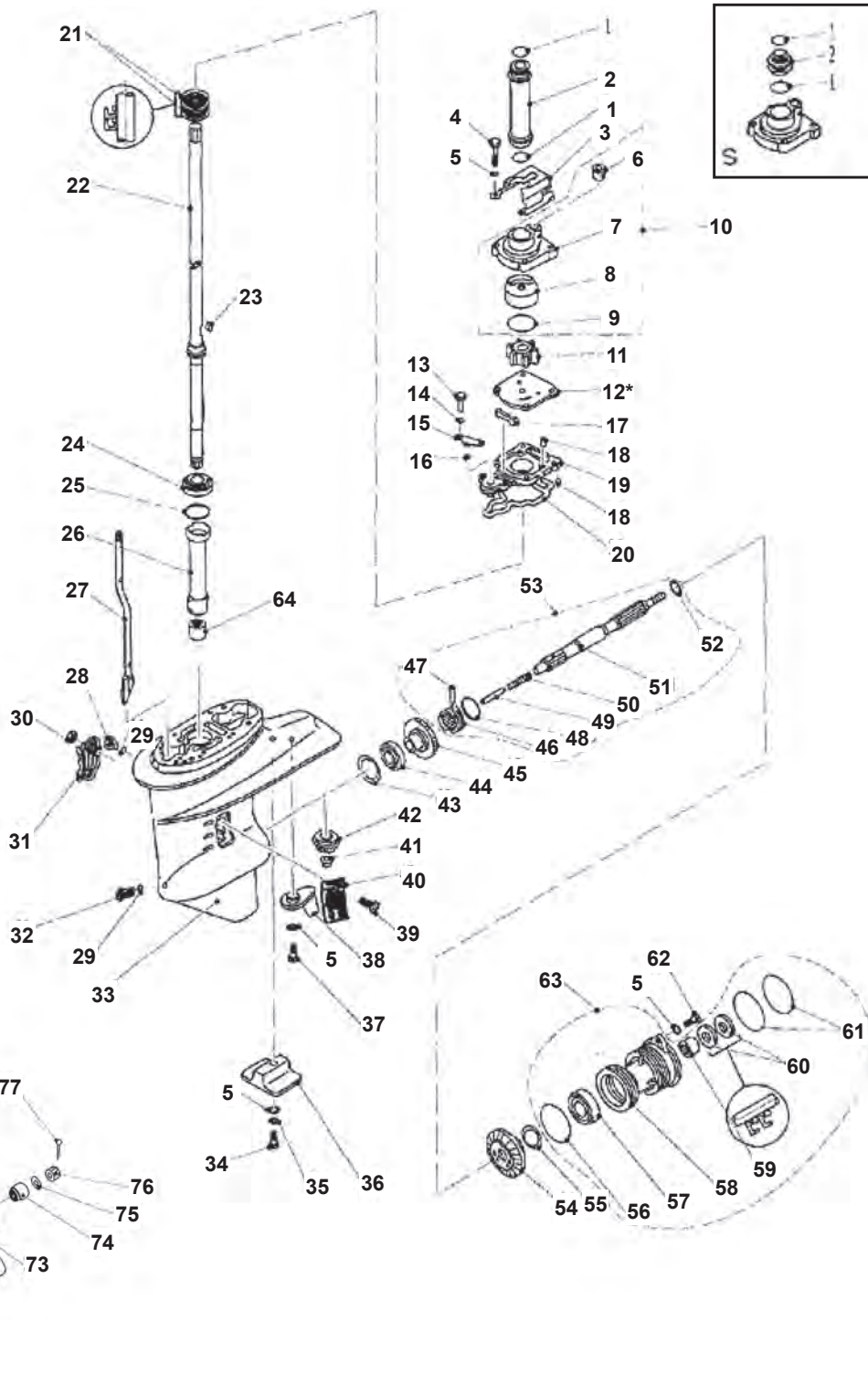
Ref.	R.O.
REC66M-W0001-20	66M-W0001-20
Kit juntas cola Gearcase seal kit Kit guarnizione piede	

Ref.	R.O.
REC63V-W0078-01	63V-W0078-01
Kit reparación Bomba agua Water Pump kit Kit riparazione Pompa acqua	

Nº	R.O.	OEM	Ref.	Descripción	Description	Descrizione
1	66M-45300-11-4D		PAF15-06100000L	CONJUNTO COLA "L"	LOWER UNIT "L"	PIEDI COMPLETI "L"
2	66M-45300-02-4D		PAF15-06100000S	CONJUNTO COLA "S"	LOWER UNIT "S"	PIEDI COMPLETI "L"
3	93315-314V8		REC93315-314V8	COJINETE AGUJAS	BEARING	CUSCINETTO
4	63V-45536-00		PAF15-06000006	CAMISA EJE	SLEEVE, DRIVE	TUBO GUIDA
5	93341-41414		REC93341-41414	COJINETE	BEARING	CUSCINETTO
6	6E8-45587-10-13		PAF15-06000008	GRUESO	SHIM	SPESSORE
7	93332-00005		REC93332-00005	COJINETE	BEARING	CUSCINETTO
8	664-45567-01-10		PAF15-06000010-1	GRUESO	SHIM	SPESSORE
9	90340-08002		PAF4-03000023	TAPÓN VACIADO	PLUG	TAPPO
10	90430-08020		REC90430-08020	JUNTA	GASKET	GUARNIZIONE
11	63V-44301-00		REC63V-44301-00	CUERPO BOMBA	PUMP HOUSING	CORPO POMPA
12	63V-44322-00		REC63V-44322-00	ACOPLE BOMBA	INSERT	GHIERA INOX.
13	647-44366-00		PAF15-06060004	RETÉN	DAMPER	BOCCOLA
14	63V-44352-01		REC63V-44352-01	TURBINA	IMPELLER	GIRANTE
15	664-44338-00		REC664-44338-00	CHAVETA	KEY	CHIAVETTA
16	93210-44398		REC93210-44398	ANILLO TÓRICO	O-RING	O-RING
17	63V-44323-00		REC63V-44323-00	PLATO BOMBA	OUTER PLATE	PIASTRA POMPA
18	93604-12M07		PAF15-00000013	PIN	COVER, LOWER CASING	SPINOTTO
19	97080-08045		REC97080-08045	TORNILLO	BOLT	VITE
20	63V-44328-00		PAF15-06000014	REFUERZO GUÍA	PLATE	PIASTRA
21	63V-45331-00-5B		PAF15-06020001	CUERPO COJINETE	HOUSING, BEARING	CUSCINETTO
22	626-45316-09		REC626-45316-09	CASQUILLO EJE	BUSHING	CAPPUCCIO ASSE
23	93101-20048		REC93101-20048	RETÉN	OIL SEAL	PARAOLIO
24	63V-45315-A0		REC63V-45315-A0	JUNTA	PACKING	GUARNIZIONE
25	93210-06ME6		REC93210-06ME6	ARO TÓRICO	O-RING	O-RING
26	97080-08025		PAGB/T5783-M8X25	TORNILLO	BOLT	VITE
27	63V-44150-00		PAF15-06030000S	EJE SELECTOR	SHIFT CAM S	ASSE SELETTORE
28	63V-45510-00		PAF15-06040000S	EJE VERTICAL	DRIVE SHAFT S	ASSE VERTICALE
29	63V-45551-00		REC63V-45551-00	PIÑÓN	PINION	PIGNONE
30	90179-08M06		REC90179-08M06	TUERCA	NUT	DADO
31	6E7-45560-01		REC6E7-45560-01	PIÑÓN	GEAR	PIGNONE
32	6E7-45571-00		REC6E7-45570-00	PIÑÓN	GEAR	PIGNONE
33	626-45577-00-01		PAF15-06080006-1	GRUESO	SHIM	SPESSORE
34	90201-17682		REC90201-17682	ARANDELA	WASHER	RONDELLA
35	683-45611-00		REC683-45611-00	EJE HÉLICE	SHAFT PROPELLER	ASSE ELICA
36	650-45635-00		REC650-45635-00	PISTÓN	PLUNGER	PISTONE
37	682-45631-00		REC682-45631-00	SELECTOR	CLUTCH, DOG	SELETTORE
38	90250-05010		REC90250-05010	PASADOR	PIN	SPINOTTO
39	648-45633-00		REC648-45633-00	MUELLE	SPRING, CROSS PIN	MOLLA
40	90501-14M06		PAF15-06070002	MUELLE	SPRING, COMPRESSION	MOLLA
41	683-45361-02-4D		REC683-45361-01-94	DIÁBOLO	CAP, LOWER CASING	COP. CARTER INFERIORE.
42	93306-00501		REC93306-00501	COJINETE	BEARING	CUSCINETTO
43	93315-317U2		REC93315-317U2	COJINETE AGUJAS	BEARING	CUSCINETTO
44	93101-17054		REC93101-17054	RETÉN	OIL SEAL	PARAOLIO
45	93210-57M09		REC93210-57M09	ARO TÓRICO	O-RING	O-RING
46	93210-56M80		PAF15-06080003	ARO TÓRICO	O-RING	O-RING
47	97095-06020		PAGB/T5783-M6X20	TORNILLO	BOLT	VITE
48	92995-06600		PAGB/T97.1-6	ARANDELA	WASHER	RONDELLA
49	61N-45251-01		CM61N-45251-01	ÁNODO	ANODE	ANODO
50	66M-45371-00		REC66M-45371-00	ÁNODO TIMÓN	TAB-TRIM	ANODO
51	6E7-45978-01		REC6E7-45987-00	ESPACIADOR	SPACER	SPESSORE
52	90171-10M01		REC90171-10M01	TUERCA HÉLICE	NUT, CASTLE	DADO ELICA
53	91490-30020		REC91490-30020	PASADOR ALETAS	PIN, COTTER	SPINOTTO
54	63V-4436510		PAF15-02000006	GOMA	RUBER	GOMMA
55	66M-44361-00		PAF15-02000005S	TUBO AGUA	WATER TUBE -SMALL	TUBO
55	66M-44361-10		PAF15-02000005	TUBO AGUA	WATER TUBE -LARGE	TUBO
56	63V-44365-10		PAF15-02000006	TUBO GOMA AGUA	RUBER WATER TUBE	TUBO

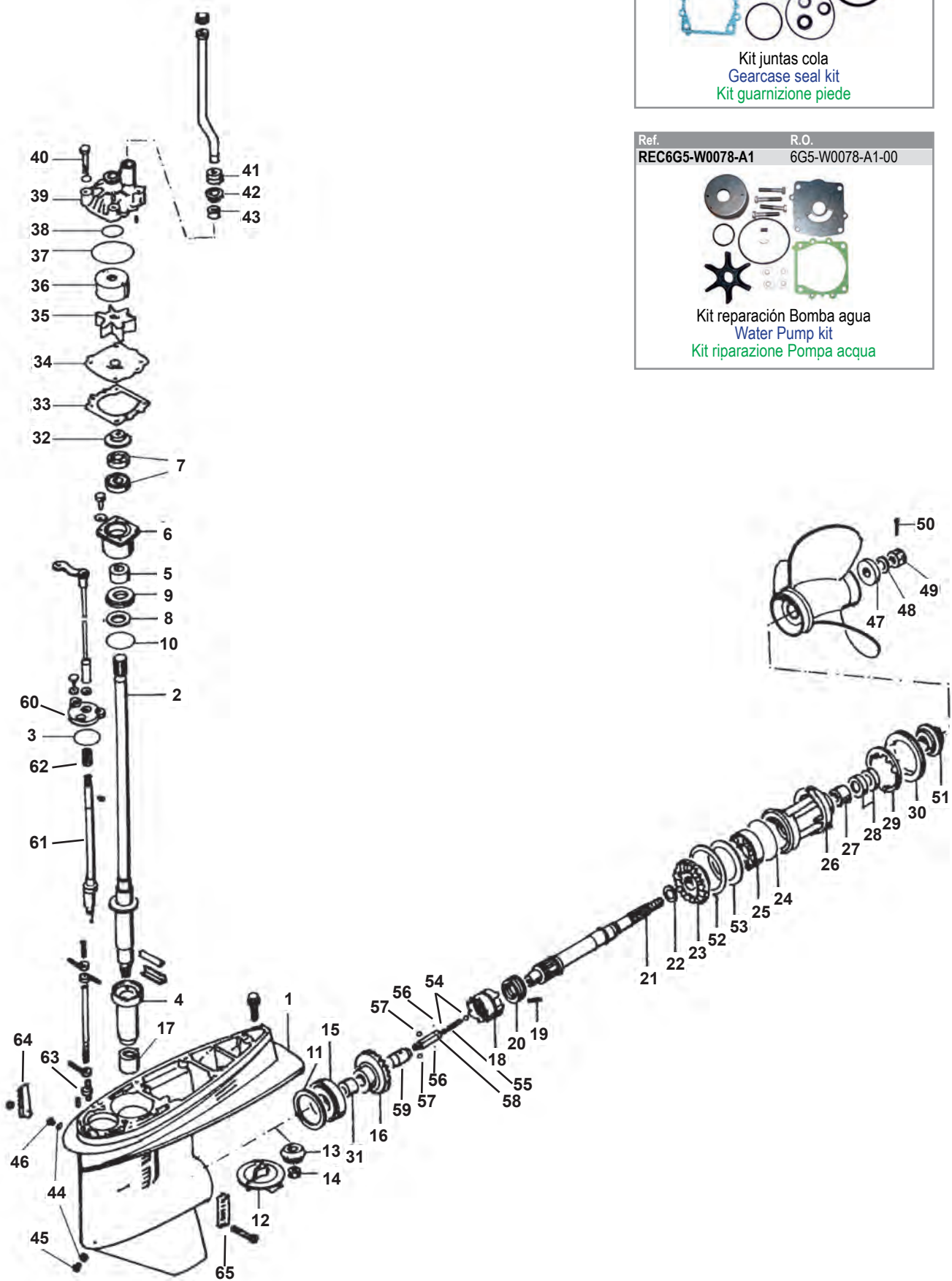


65



Nº	R.O.	OEM	Ref.	Descripción	Description	Descrizione
1	93210-26130		PAGB/T3452.1-92	ARO TÓRICO	O-RING	O-RING
2	61N-44362-10		PAF25-04000017	TUBO AGUA	TUBE, WATER	TUBO
2	61N-44362-00		PAF25-04000017S	TUBO AGUA	TUBE, WATER -SMALL-	TUBO
3	65W-44328-00		PAF25-04000016	PLATO FIJO BOMBA AGUA	FIXED PLATE, WATER PUMP	PIASTRA POMPA
4			PAGB/T5782-2000	TORNILLO	BOLT	VITE
5			PAGB/T97.1-85	ARANDELA	WASHER	RONDELLA
6	6L2-44367-00		PAF25-04050004	RETÉN TUBO AGUA	DAMPER, WATER PIPE	BOCCOLA
7	61N-44311-01		PAF25-04050001	CUERPO BOMBA	SHELL, WATER PUMP	CORPO POMPA
8	61N-44322-01		PAF25-04050002	CASQUILLO INOX.	SHELL, INNER	CAP INOX.
9	93210-45161		PAF25-04050003	ARO TÓRICO	O-RING	O-RING
10			PAF25-04050000	KIT CUERPO BOMBA	SHELL ASSY, WATER PUMP	KIT CORPO POMPA
11	6H4-44352-02		PAF25-04040000	TURBINA	IMPELLER ASSY	GIRANTE
12	61N-44323-00		PAF25-04000014	PLATO BOMBA AGUA	OUTER PLATE	PIASTRA POMPAACQUA
13			PAGB/T5783-2000	TORNILLO	BOLT	VITE
14			PAGB/T97.1-85	ARANDELA	WASHER	RONDELLA
15	65W-44176-00		PAF25-04000012	PLATO, ARO TÓRICO	PLATE, O-RING	PIASTRA O-RING
16	93210-06ME6		PAF15-06020004	ARO TÓRICO	O-RING	O-RING

Nº	R.O.	OEM	Ref.	Descripción	Description	Descrizione
17	61N-45127-00		PAF25-04000013	RETÉN AGUA	WATER SEAL	PARAOLIO ACQUA
18	93604-10M03		PAF25-04000007	PIN	PIN, DOWEL	SPINOTTO
19	65W-45331-00-5B		PAF25-04000008	BASE EJE VERTICAL	BASE, DRIVE SHAFT	BASE, ASSE VERTICALE
20	61N-45315-00		PAF25-04000009	RETÉN	SEAL	PARAOLIO
21	93101-22067		PAF25-04010003	RETÉN ACEITE	OIL SEAL, DRIVE SHAFT	PARAOLIO
22	61N-45510-10		PAF25-04010000	EJE VERTICAL	DRIVE SHAFT ASSY	ASSE VERTICALE
22	61N-45510-00		PAF25-04010000S	EJE VERTICAL	DRIVE SHAFT ASSY -SMALL	ASSE VERTICALE
23	90280-03024		PAF25-04000015	CHAVETA SEMICIRCULAR	SEMICIRCULAR KEY	CHIAVETTA SEMICIRCOLARE
24	93332-000W5		PAHI-CAP 32004JR KOYO	CUERPO RODAMIENTO	HOUSING, BEARING	CORPO CUSCINETTO
25	61N-45587-00-07		PAF25-04000003-1	GRUESO	SHIM (t:0.7mm)	SPESSORE
25	61N-45587-00-10		PAF25-04000003-2	GRUESO	SHIM (t:1.0mm)	SPESSORE
25	61N-45587-00-11		PAF25-04000003-3	GRUESO	SHIM (t:1.1mm)	SPESSORE
25	61N-45587-00-12		PAF25-04000003-4	GRUESO	SHIM (t:1.2mm)	SPESSORE
25	61N-45587-00-13		PAF25-04000003-5	GRUESO	SHIM (t:1.3mm)	SPESSORE
25	61N-45587-00-14		PAF25-04000003-6	GRUESO	SHIM (t:1.4mm)	SPESSORE
25	61N-45587-00-15		PAF25-04000003-7	GRUESO	SHIM (t:1.5mm)	SPESSORE
25	61N-45587-00-16		PAF25-04000003-8	GRUESO	SHIM (t:1.6mm)	SPESSORE
26	61N-45536-00		PAF25-04000002	CASQUILLO	BUSHING, NYLON	GHIERA
27	65W-44150-10		PAF25-04030000	VARILLA DE CAMBIO	CAM ASSY, SHIFT ROD	ASTICELLA CAMBIO
27	65W-44150-00		PAF25-04030000S	VARILLA DE CAMBIO	CAM ASSY, SHIFT ROD -SMALL	ASTICELLA CAMBIO -CORTO
28	90340-08M04		PAF4-03000023	TAPÓN ACEITE	PLUG, HOLE OIL	TAPPO
29	93210-06ME6		PAF4-03000024	JUNTA	GASKET	GUARNIZIONE
30			PAGB/T889.1-2000	TUERCA	NUT, LOCKING	DADO
31	6L2-45215-00		PAF25-04000023	TAPA FILTRO	WATER INLET "B"	COPERCHIO DEL FILTRO
32	688-45341-00		PAF25-04000031	TAPÓN DESAGÜE	PLUG, DRAIN	TAPPO
33	61N-45311-02-4D		PAF25-04000001	CARTER	LOWER CASING	CARTER
34			PAGB/T5782-2000	TORNILLO	BOLT	VITE
35	92990-06300		PAGB/T861.1-87	ARANDELA	WASHER, LOCKING	RONDELLA
36	61N-45251-00		PAF15-06000004	ÁNODO	ANODE, LOWER	ANODO
37			PAGB/T5783-2000	TORNILLO	BOLT	VITE
38	61N-45214-00		PAF25-04000021	PLACA TIMÓN	TAB, COURSE	PIASTRA TIMONE
39			PAGB/T820-2000	TORNILLO	SCREW, PAN HEAD	VITE
40	6L2-45214-00		PAF25-04000022	TAPA FILTRO	WATER INLET "A"	PIASTRA FILTRO
41	90179-10M14		PAF25-04000006	TUERCA	NUT, PINION	DADO
42	61N-45551-00		PAF25-04000005	PIÑÓN	PINION	PIGNONE
43	6L2-45567-10		PAF25-04000004-1	GRUESO	SHIM (t:1.0mm)	SPESSORE
43	6L2-45567-11		PAF25-04000004-2	GRUESO	SHIM (t:1.1mm)	SPESSORE
43	6L2-45567-12		PAF25-04000004-3	GRUESO	SHIM (t:1.2mm)	SPESSORE
43	6L2-45567-13		PAF25-04000004-4	GRUESO	SHIM (t:1.3mm)	SPESSORE
43	6L2-45567-14		PAF25-04000004-5	GRUESO	SHIM (t:1.4mm)	SPESSORE
44	93332-00005		PANTN 4T-30205 HN	RODAMIENTO	TAPER ROLLER BEARING	CUSCINETTO
45	61N-45560-00		PAF25-04020000	MARCHA ATRÁS	GEAR, FORWARD	MARCIA AVANTI
46	664-45631-02		PAF-04060003	DESPLAZABLE	CLUTCH, DOG	SCORREVOLE
47	90250-05010		PAF15-06070004	PASADOR	PIN, CLUTCH	SPINOTTO
48	648-45633-00		PAF15-06070005	ANILLO	RING, CLUTCH	O-RING
49	648-45635-00		PAF25-04060006	EMPUJADOR	PLUNGER, SHAFT	STANTUFFO
50	90501-10065		PAF25-04060002	MUELLE	SPRING, CLUTCH	MOLLA
51	612-45611-00		PAF25-04060001	EJE HÉLICE	SHAFT, PROPELLER	ASSE ELICHE
52	90201-20417		PAF25-04060007	PLATO MARCHA INVERSA	PLATE, REVERSE GEAR	PIASTRA MARCIA INDIETRO
53			PAF25-04060000	EJE HÉLICE	PROPELLER, SHAFT ASSY	ASSE ELICHE
54	61N-45571-00		PAF25-04070004	MARCHA INVERSA	GEAR, REVERSE	MARCIA INDIETRO
55	6L2-45577-00-10		PAF25-04070005-1	GRUESO	SHIM (t:1.0mm)	SPESSORE
55	6L2-45577-00-11		PAF25-04070005-2	GRUESO	SHIM (t:1.1mm)	SPESSORE
55	6L2-45577-00-12		PAF25-04070005-3	GRUESO	SHIM (t:1.2mm)	SPESSORE
55	6L2-45577-00-13		PAF25-04070005-4	GRUESO	SHIM (t:1.3mm)	SPESSORE
56	93210-64ME7		PAF25-04070002	ARO TÓRICO	O-RING A	O-RING
57	93306-00612		PAKOYO 6006C3	RODAMIENTO	BALL BEARING	CUSCINETTO
58	61N-45361-01-4D		PAF25-04070001	TAPA CÁRTER	COVER, LOWER CASING	COPERCHIO CARTER
59	93315-22004		PANTN HK2016HU	RODAMIENTO	ROLLER GEARING	CUSCINETTO
60	93101-20M07		PAF25-04070006	RETÉN	OIL SEAL	PARAOLIO
61	93210-65M50		PAF25-04070003	ARO TÓRICO	O-RING B	O-RING
62			PAGB/T5783-2000	TORNILLO	BOLT	VITE
63			PAF25-04070000	TAPA CÁRTER	COVER ASSY, LOWER CASING	COPERCHIO CARTER
64	93315-220V7		PAF2020	RODAMIENTO	NEEDLE BEARING	CUSCINETTO
65	65W-45300-10-4D		PAF25-0400000L	COLA COMPLETA -GRANDE	COMPLETE GEAR HOUSING -LARGE	PIEDE COMPLETO -LUNGO
65	65W-45300-00-4D		PAF25-0400000S	COLA COMPLETA -PEQUEÑA	COMPLETE GEAR HOUSING -SMALL	PIEDE COMPLETO -CORTO
66	93606-11M24		PAF15-00000006	PIN	PIN, DOWEL	SPINOTTO
67	90202-12060		PAF25-02000019	ARANDELA	WASHER, NYLON	RONDELLA
68	65W-44361-10		PAF25-02000004L	TUBO AGUA	TUBE, WATER -LARGE	TUBO -LUNGO
68	65W-44361-00		PAF25-02000004S	TUBO AGUA	TUBE, WATER -SMALL	TUBO -CORTO
69	90430-12072		PAF25-02000005	JUNTA AGUA	GASKET, WATER PIPE	GUARNIZIONE
70	92995-10600		PAGB/T97.1-85	ARANDELA	WASHER	RONDELLA
71	90105-10M12		PAF25-00000011	TORNILLO	BOLT	VITE
72	6L2-45987-01		PAF25-04000024	ESPACIADOR	SPACER, PROPELLER	SPESSORE
73	664-45947-01-EL		PAF25-04080000	HÉLICE	PROPELLER ASSY	ELICHE
74	689-45997-00		PAF25-04000025	ESPACIADOR	SPACER	SPESSORE
75	92990-14200		PAGB/T97.1-85	ARANDELA	WASHER	RONDELLA
76	90171-14013		PAF25-04000027	TUERCA	NUT	DADO
77	91490-30022		PAGB/T91-86	PIN	PIN, COTTER	SPINOTTO



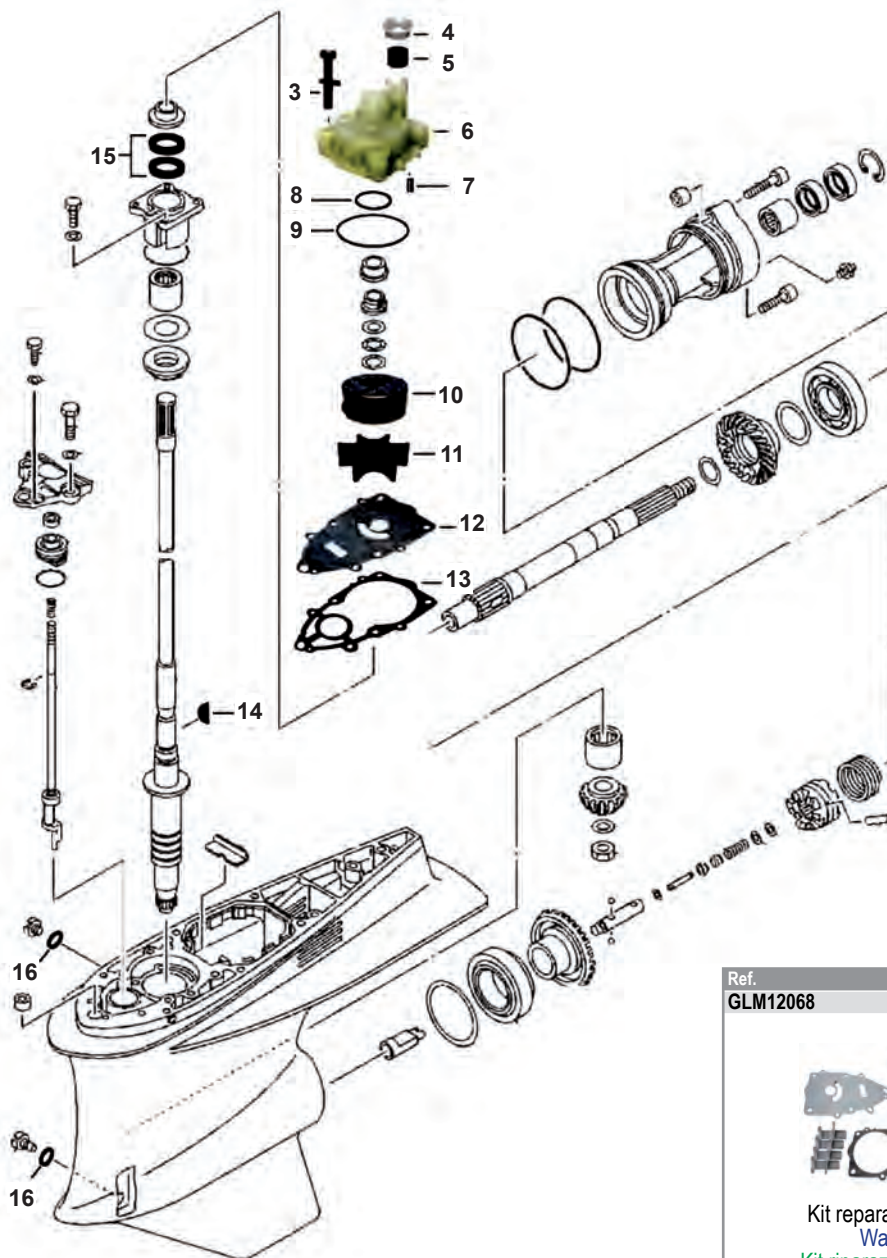
Ref.	R.O.
REC6E5-W0001-F1	6G5-W0001-21-00

Kit juntas cola
Gearcase seal kit
Kit guarnizione piede

Ref.	R.O.
REC6G5-W0078-A1	6G5-W0078-A1-00

Kit reparación Bomba agua
Water Pump kit
Kit riparazione Pompa acqua

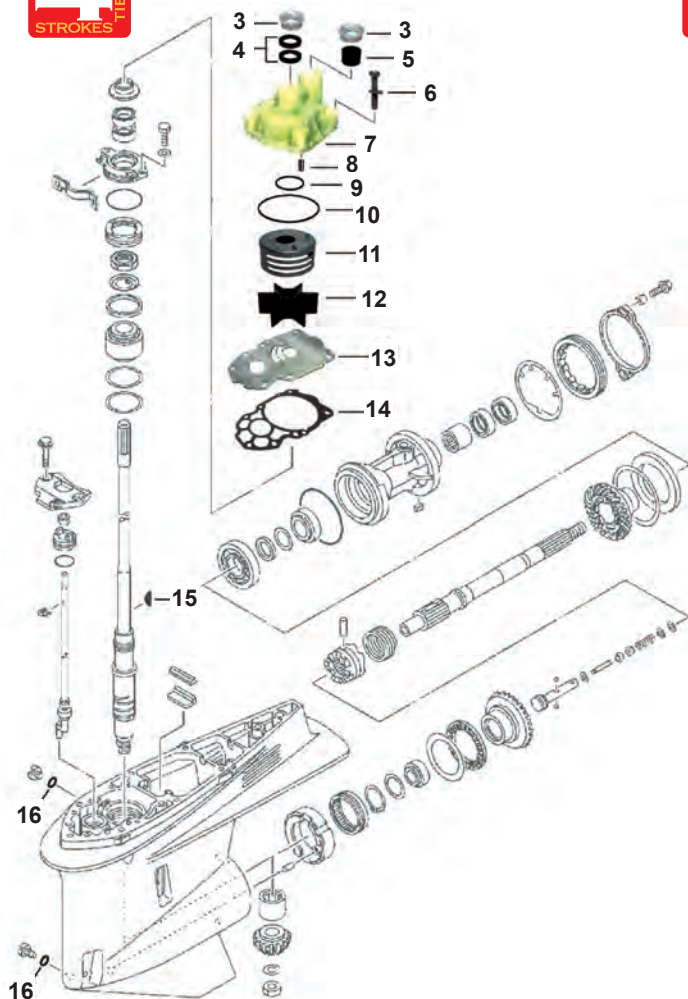
Nº	R.O.	OEM	Ref.	Descripción	Description	Descrizione
1	64D-45300-01-8D		REC416-A20	COLA COMPLETA	LOWER UNIT ASSY	PIEDI COMPLETI
1	64D-45300-21-8D		REC416-A25	COLA COMPLETA	LOWER UNIT ASSY	PIEDI COMPLETI
2	63P-45501-00		REC63P-45501-00	EJE (LARGO 20")	DRIVE SHAFT 20"	ASSE VERTICALE 20"
2	63P-45501-10		REC63P-45501-10	EJE (LARGO 25")	DRIVE SHAFT 25"	ASSE VERTICALE 25"
3	93210-58677		REC93210-58677	ARO, PLATO	O-RING	O-RING
4	6G5-45536-01		REC6G5-45536-01	CAMISA, EJE	SLEEVE	ASSE
5	93315-430V5		REC93315-430V5	COJINETE AGUJAS	BEARING	CUSCINETTO
6	6E5-45331-00-94		REC6E5-45331-00-94	CUERPO COJINETE	HOUSSING	CORPO CUSCINETTO
7	93101-28M16		REC93101-28M16	RETÉN, EJE	OIL SEAL	PARAOLIO
8	6E5-45587-01		REC6E5-45587-01	ESPACIADOR	SHIM	SPESSORE
9	93341-930U0		REC93341-930U0	COJINETE	BEARING	CUSCINETTO
10	93210-54534		GLM84215	ARO	O-RING	O-RING
11	6G5-45567-01		REC6G5-45567-01	ESPACIADOR	SHIM	SPESSORE
12	6J9-45371-01		CM6J9-45371-01	ÁNODO	ANODE	ANODO
13	6G5-45551-01		REC6G5-45551-00	PIÑÓN	GEAR	PIGNONE
14	90170-16M01		REC90170-16M01	TUERCA, PIÑÓN	NUT	DADO
15	93332-000V3		REC93332-000V3	COJINETE	BEARING	CUSCINETTO
16	6G5-45631-00		REC6G5-45631-00	PIÑÓN MARCHA	GEAR F.W.	PIGNONE MARCIA
17	90250-08M07		REC90250-08M07	COJINETE AGUJAS	BEARING	CUSCINETTO
18	6E5-45631-01		REC6E5-45631-00	SELECTOR	CLUTCH	SELETTORE
19	90250-08M07		REC90250-08M07	PASADOR	PIN	SPINOTTO
20	6E5-45633-01		REC6E5-45633-01	RETENEDOR	SPRING	MOLLA
21	6J9-45611-01		REC6J9-45611-00	EJE HÉLICE	PROPELLER SHAFT	ASSE ELICHE
22	90201-30M92		REC90201-30M92	ARANDELA	WASHER	RONDELLA
23	6G5-45570-02		REC6G5-45570-00	PIÑÓN MARCHA ATRÁS	GEAR R.V.	PIGNONE MARCIA INDIETRO
24	93210-97M55		REC93210-97M55	ARO, COJINETE	O-RING	O-RING
25	93306-209U0		REC93306-209U0	COJINETE	BEARING	CUSCINETTO
26	6J9-45332-00-94		REC6E5-45331-00-94	DIÁBOLO	GEAR HOUSING	SCATOLA INGRANAGGI
27	93315-430U8		REC93315-430U8	COJINETE AGUJAS	BEARING	CUSCINETTO
28	91301-30M17		REC93101-30M17	RETÉN, EJE HÉLICE	OIL SEAL	PARAOLIO
29	6G5-45383-01		REC6G5-45383-01	ARANDELA	WASHER	RONDELLA
30	6G5-45384-00		REC8G5-45384-00	TUERCA	NUT	DADO
31	93315-425V3		REC93315-425V3	COJINETE AGUJAS	BEARING	CUSCINETTO
32	6E5-45344-00		REC6E5-45344-00	RETÉN ACEITE	OIL SEAL	PARAOLIO
33	6E5-44315-A0		REC6E5-44315-00	JUNTA	GASKET	GUARNIZIONE
34	6G5-44323-00		REC6G5-44323-00	TAPA	CAP	COPERCHIO
35	6E5-44352-00		REC6E5-44352-01	IMPULSOR	IMPELLER	GIRANTE
36	6E5-44322-00		REC6E5-44322-00/41	ACOPLE INOX.	INSERT CUP – MODERN–	ACCOPPIAMENTO INOX
37	93210-86M38		REC93210-86M38	ARO, BOMBA AGUA	O-RING	O-RING
38	93210-37M67		REC93210-37M67	ARO, BOMBA AGUA	O-RING	O-RING
39	6E5-44311-00		REC6E5-44311-00	CUERPO BOMBA AGUA	W.P. HOUSING –MODERNO–	CORPO POMA ACQUA
40	97080-08045		REC97080-08045	TORNILLO, BOMBA AGUA	BOLT	VITE
41	6E5-44366-00		GLM38301	FLECTOR RETÉN AGUA	DAMPER	BOCCOLA
42	6E5-44312-00		REC6E5-44312-00	TAPA BOMBA	CAP	COPERCHIO POMPA
43	6E5-44365-00		GLM38300	FLECTOR RETÉN AGUA	SEAL	BOCCOLA
44	90430-08020		REC90430-08020	JUNTA, TAPONES DRENAJE	GASKET	GUARNIZIONE
45	688-45341-00		REC688-45341-00	TAPÓN DRENAJE INFERIOR	PLUG	TAPPO INFERIORE.
46	90340-08M04		REC90340-08014	TAPÓN DRENAJE SUPERIOR	PLUG	TAPPO SUPERIORE.
47	688-45997-01		REC688-45997-00	ESPACIADOR HÉLICE	SPACER	SPESSORE
48	92990-18200		GLM21221	ARANDELA HÉLICE	WASHER	RONDELLA
49	90171-18M04		REC90171-18M04	TUERCA HÉLICE	NUT	DADO
50	91490-40030		REC91490-40030	PASADOR	PIN	SPINOTTO
51	6E5-45987-00		REC6E5-45987-00	ARANDELA	WASHER	RONDELLA
53	6G5-45576-00		REC6G5-45576-10	ARANDELA	WASHER	RONDELLA
54	93511-32027		REC93511-32027	BOLA	BALL	BOLLA
55	90501-16M37		REC90501-16M37	MUELLE	SPRING	MOLLA
56	93503-16003		REC93503-16003	BOLA	BALL	BOLLA
57	93507-32031		REC93507-32031	BOLA	BALL	BOLLA
58	6E5-45634-01		REC6E5-45634-01	PASADOR	SHIFT SLIDE	PERNO
59	6E5-45641-03		REC6E5-45641-03	EJE	SHIFTER	ASSE
60	6E5-45321-00		REC6E5-45321-00	TAPA CAMBIO	PLATE	PIASTRA
61	6G5-44150-02		REC6G5-44150-02	EJE CAMBIO	SHIFT SHAFT	ASSE
62	90501-11M18		REC90501-11M18	MUELLE	SPRING	MOLLA
63	6E5-45378-00		REC6E5-45378-00	NIPLA	PIPE	TUBO
64	6J9-45215-00			TAPA	COVER	COPERCHIO
65	6J9-45214-00			TAPA	COVER	COPERCHIO



Nº	R.O./ OEM	Ref.	Descripción	Description	Descrizione
2	60X-W0078-00	GLM12068	KIT BOMBA AGUA	WATER PUMP KIT w/o HOUSING	KIT RIPARAZIONE POMPA ACQUA
3	90119-08M14	REC90119-08M14	TORNILLO CON ARANDELA	BOLT w/ WASHER	VITE
4	6E5-44312-00	REC6E5-44312-00	TAPA CUERPO BOMBA	COVER, WATER PUMP HOUSING	COPERCHIO CORPO BOMBA
5	6E5-44365-00	GLM38300	RETÉN	DAMPER	BOCCOLA
6	61A-44311-01	REC61A-44311-00	CUERPO BOMBA AGUA	WATER PUMP HOUSING	CORPO POMPA ACQUA
7	93606-12019	REC93606-12019	PIN	PIN, DOWELL	SPINOTTO
8	93210-37M67	REC93210-37M67	ARO TÓRICO	O-RING	O-RING
9	93210-86M38	REC93210-86M38	ARO TÓRICO	O-RING	O-RING
10	61A-44322-02	REC61A-44322-02	ACOPLE INOX.	PUMP CUP	POMPA CUP
11	6E5-44352-01	REC6E5-44352-01	IMPULSOR	IMPELLER	GIRANTE
12	6PS-44323-00	REC6P2-44323-00	TAPA BOMBA	WEAR PLATE	COPERCHIO POMPA
13	60X-44315-A0	REC60X-44315-A0	JUNTA BOMBA AGUA	GASKET, WATER PUMP	GUARNIZIONE
14	90280-04M05	REC90280-04M05	CHAVETA	KEY, WOODRUFF	CHIAVETTA
15	93101-28M16	REC93101-28M16	RETÉN	OIL SEAL	PARAOLIO
16	90430-08020	REC90430-08020	JUNTA	GASKET, DRAIN FILL	GUARNIZIONE

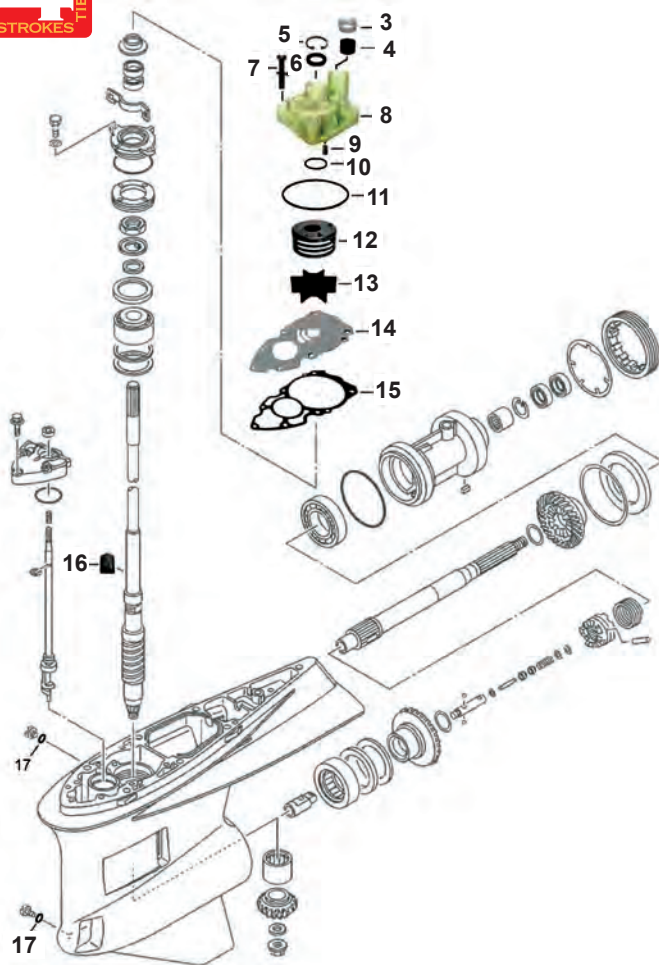
4
TIEMPOS
STROKES

V6 F225 - F250 - F300



4
TIEMPOS
STROKES

V8 F300 - F350



V6 F225 - F250 - F300

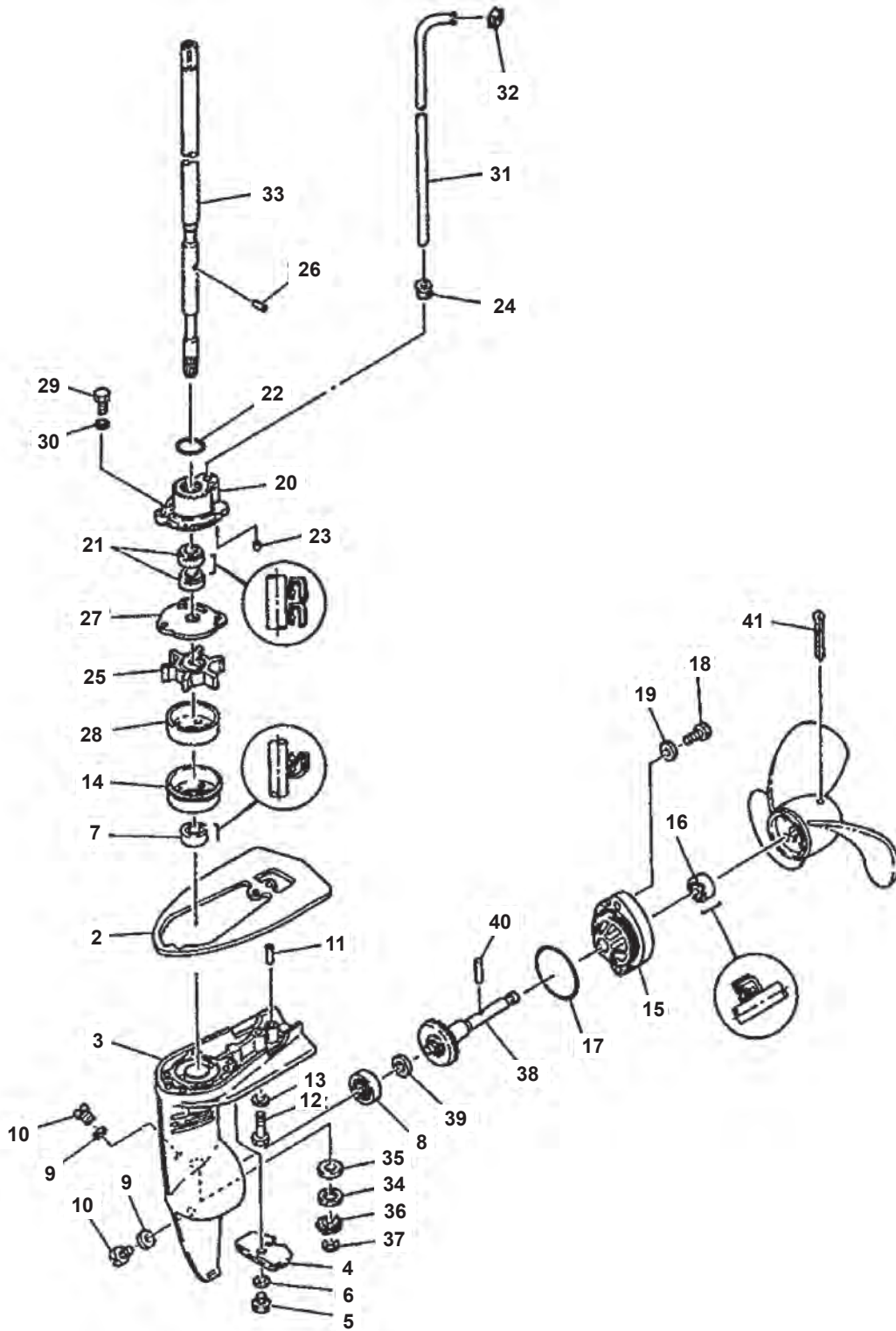
Nº	R.O./OEM	Ref.	Descripción	Description	Descrizione
3	6AW-44312-00	REC6AW-44312-00	TAPA CUERPO BOMBA	COVER, WATER PUMP HOUSING	COPERCHIO CORPO POMPA
4	93140-22M07	REC93140-22M07	RETÉN	OIL SEAL	PARAOLIO
5	6AW-44365-00	REC6AW-44365-00	RETÉN AGUA	DAMPER	BOCCOLA ACQUA
6	90119-08M14	REC90119-08M14	TORNILLO CON ARANDELA	BOLT w/ WASHER	VITE
7	6CE-44311-01	REC6CE-44311-01	CUERPO BOMBA AGUA	WATER PUMP HOUSING	CORPO POMPA ACQUA
8	93606-12019	REC93606-12019	PIN	PIN, DOWELL	SPINOTTO
9	93210-37160	REC93210-37160	ARO TÓRICO	O-RING	O-RINH
10	93210-94003	REC93210-94003	ARO TÓRICO	O-RING	O-RING
11	6AW-44322-00	REC6AW-44322-00	CASQUILLO INOX.	PUMP CUP	POMPA
12	6CE-44352-00	REC6CE-44352-00	TURBINA	IMPELLER	GIRANTE
13	6CE-44323-00	REC6CE-44323-00	TAPA BOMBA	WEAR PLATE	PIASTRA POMPA
14	6CE-44315-00	REC6CE-44315-00	JUNTA BOMBA AGUA	GASKET, WATER PUMP	GUARNIZIONE
15	90280-04002	REC90280-04002	CHAVETA	KEY, WOODRUFF	CHIAVETTA
16	90430-08020	REC90430-08020	JUNTA	GASKET, DRAIN FILL	GUARNIZIONE

V8 F300 - F350

Nº	R.O./OEM	Ref.	Descripción	Description	Descrizione
3	6AW-44312-00		TAPA CUERPO BOMBA	COVER, WATER PUMP HOUSING	COPERCHIO CORPO POMPA
4	6AW-44365-00		RETÉN AGUA	DAMPER	BOCCOLA
5	93420-35085		CLIP	DAMPER	BOCCOLA
6	93109-24001		RETÉN	OIL SEAL	PARAOLIO
7	90119-08M14	REC90119-08M14	TORNILLO CON ARANDELA	BOLT w/ WASHER	VITE + RONDELLA
8	6AW-44311-00		CUERPO BOMBA AGUA	WATER PUMP HOUSING	CORPO POMPA ACQUA
9	93606-12019	REC93606-12019	PIN	PIN, DOWELL	SPINOTTO
10	93210-37160	REC93210-37160	ARO TÓRICO	O-RING	O-RING
11	93210-94003		ARO TÓRICO	O-RING	O-RING
12	6AW-44322-00		CASQUILLO INOX.	PUMP CUP	POMPA
13	6AW-44352-00	CEF500389N	TURBINA	IMPELLER	GIRANTE
14	6AW-44323-00		TAPA BOMBA	WEAR PLATE	PIASTRA POMPA
15	6AW-44315-00		JUNTA BOMBA AGUA	GASKET, WATER PUMP	GUARNIZIONE
16	6AW-44336-00		CHAVETA	KEY	CHIAVETTA
17	90430-08020	REC90430-08020	JUNTA	GASKET, DRAIN FILL	GUARNIZIONE

YAMAHA

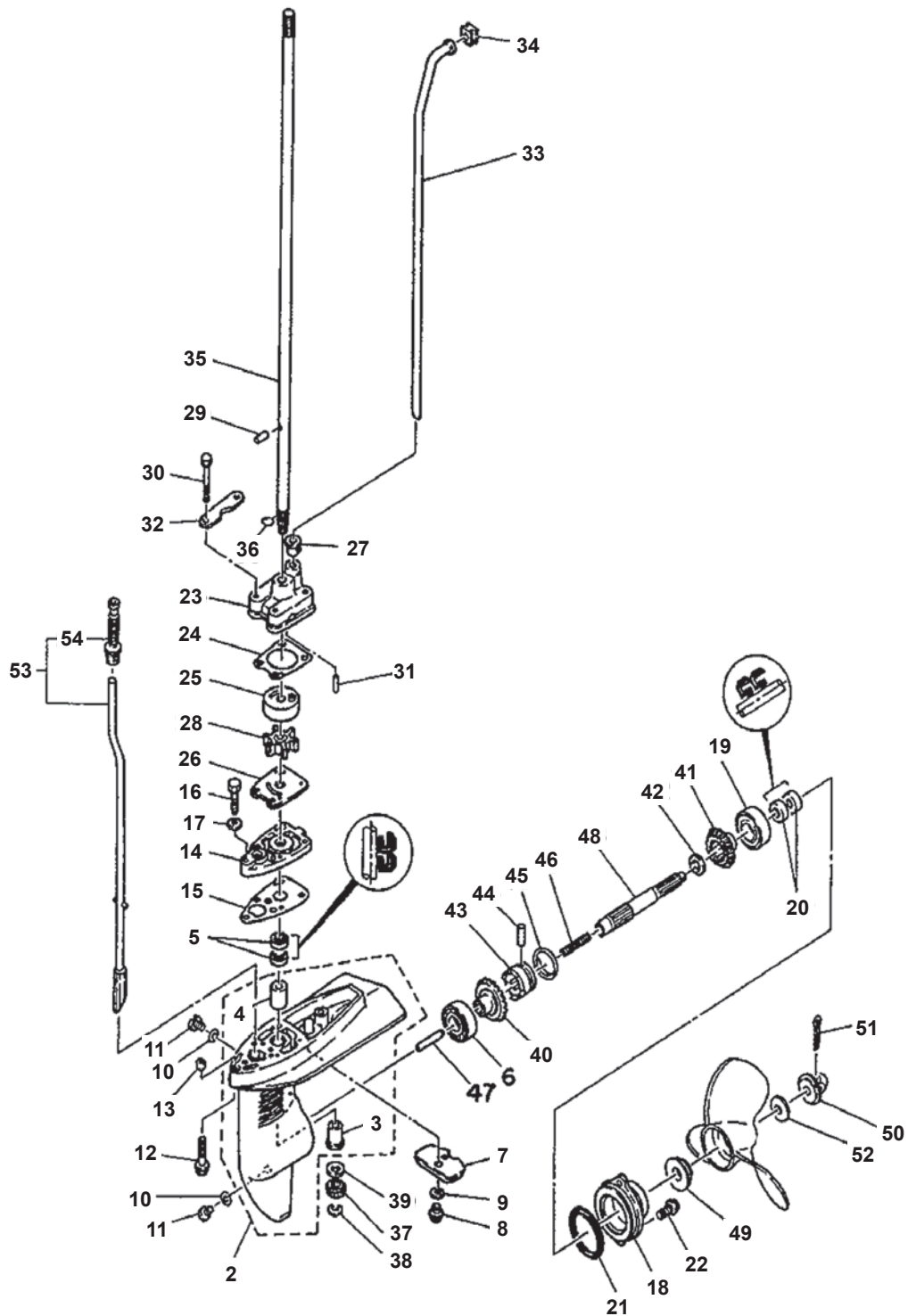
**RECAMBIO
MARINOS**
S.L.



Ref.	R.O.
REC6A1-W0078-01	6A1-W0078-01
Kit reparación Bomba agua Water Pump kit Kit riparazione Pompa acqua	

Ref.	R.O.
REC6A1-W0001-23	6A1-W0001-23
Kit juntas cola Gearcase seal kit Kit guarnizione piede	

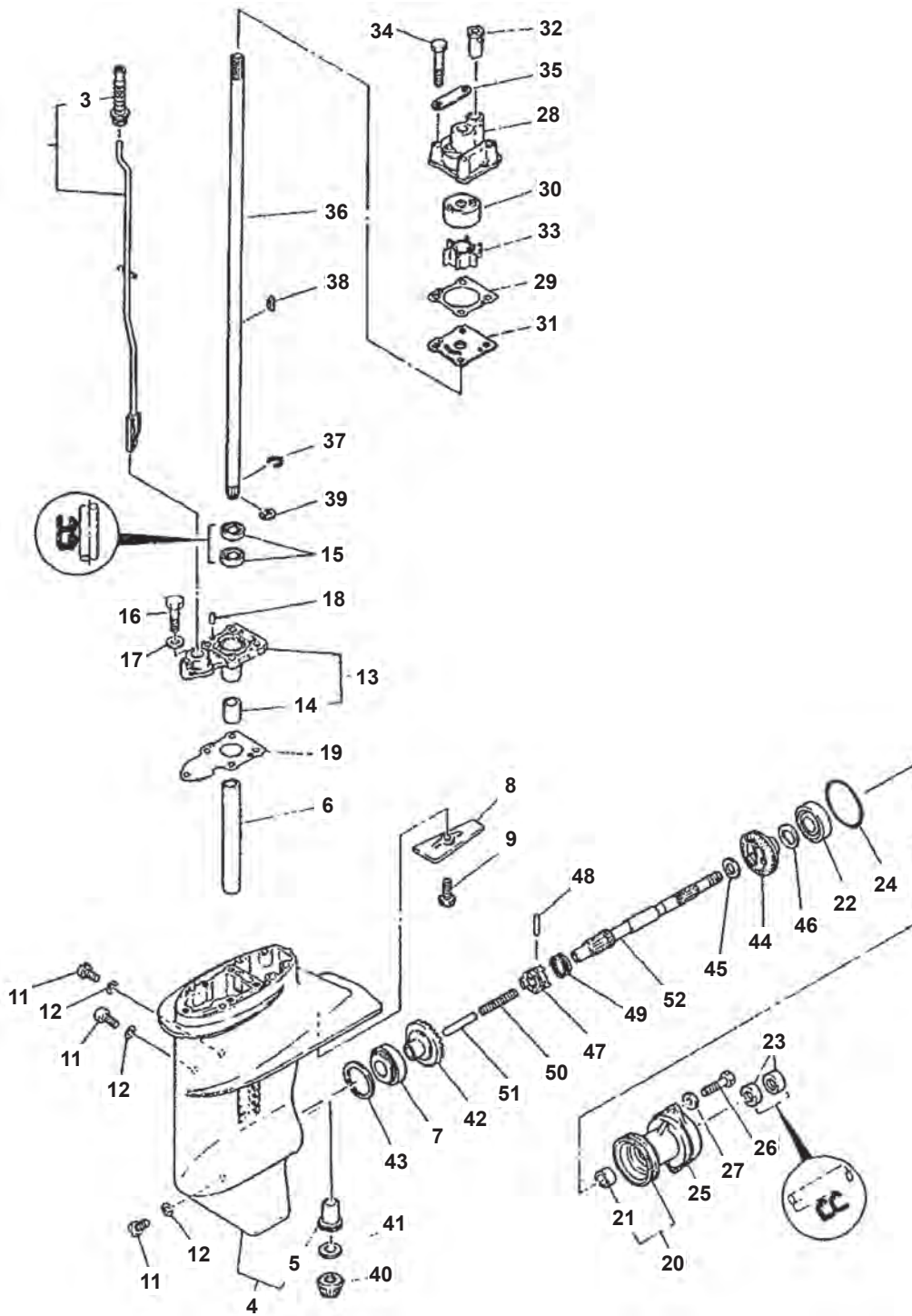
Nº	R.O./ OEM	Ref.	Descripción	Description	Descrizione
2	6A1-45181-00-4D		PLATO CAVITACION	PLATE	PIASTRA
3	6A1-45311-02-4D		CARTER INFERIOR	CASING, LOWER	CARTER INFERIORE
4	6L5-45251-02	CM6L5-45251-02	ÁNODO ZINC	ANODE	ANODO ZINCO
5	95895-06012		TORNILLO	BOLT, FLANGE	VITE
6	92990-06300	PAGB/T861.1-87	ARANDELA	WASHER	RONDELLA
7	93103-11051	REC93103-11051	RETÉN	OIL SEAL	PARAOLIO
8	93306-00001		RODAMIENTO	BEARING	CUSCINETTO
9	90430-08020	REC90430-08020	JUNTA	GASKET	GUARNIZIONE
10	90340-08M04	PAF4-03000023	TAPÓN	PLUG	TAPPO
11	93605-18M04		PIN	PIN	SPINOTTO
12	97095-06030	REC97095-06030	TORNILLO	BOLT	VITE
13	92995-06600	PAGB/T97.1-85	ARANDELA	WASHER	RONDELLA
14	6A1-44325-00P	REC6A1-44325-00	CUERPO INF. BOMBA	PROTECTOR	CORPO INF. POMPA
15	6A1-45361-01-4D		TAPA	CAP	COPERCHIO
16	93103-10052	REC93103-10052	RETÉN	OIL SEAL	PATRAOLIO
17	93210-42101	REC93210-42101	ARO TÓRICA	O-RING	O.RING
18	97090-06014		TORNILLO	BOLT	VITE
19	92990-06600		ARANDELA	WASHER	RONDELLA
20	6A1-44312-01-94		CUERPO BOMBA	COVER, WATER PUMP	CORPO POMPA
21	93101-11M44		RETÉN	OIL SEAL	PARAOLIO
22	93210-19123		ARO TÓRICO	O-RING	O-RING
23	93604-09068		PIN	PIN	SPINOTTO
24	646-44366-01		RETÉN TUBO AGUA	DAMPER	PARAOLIO TUBO ACQUA
25	646-44352-01	REC646-44352-01	TURBINA	IMPELLER	GIRANTE
26	93604-09066		PIN	PIN	SPINOTTO
27	646-44323-00	REC646-44322-00	PLATO BOMBA AGUA	OUTER PLATE	PIASTRA POMPA ACQUA
28	646-44322-00	REC646-44322-00	CASQUILLO INOX. BOMBA	INSERT	GHIERA INOX. POMPA
29	97095-05016		TORNILLO	BOLT	VITE
30	92995-06600	PAGB/T97.1-85	ARANDELA	WASHER	RONDELLA
31	6A1-44361-00		TUBO AGUA	TUBE, WATER	TUBO ACQUA
32	646-44365-00		RETÉN BOMBA	DAMPER	PARAOLIO POMPA
33	6A1-45510-01		EJE	DRIVE SHAFT ASSY	ASSE
34	90201-11M49		ARANDELA	WASHER	RONDELLA
35	646-45534-00-03		GRUESO	SHIM	SPESSORE
36	646-45551-00	REC646-45551-00	PIÑÓN	PINION	PIGNONE
37	93430-06005	PAGB/T-896-86	JUNTA	CIRCLIP	CIRCLIP
38	646-45560-00	REC646-45560-00	ENGRANAJE CON EJE	GEAR	IGRANAGGIO CON ASSE
39	646-45567-00-03		GRUESO	SHIM	SPESSORE
40	90250-03M10	REC90250-03M10	PASADOR SEGURIDAD	PIN	SPINOTTO
41	91490-30040	REC91490-30040	PASADOR ALETAS	PIN	SPINOTTO



Ref.	R.O.
REC6E0-W0001-C1	6E0-W0001-C1

Kit reparación Bomba agua
Water Pump kit
Kit riparazione Pompa acqua

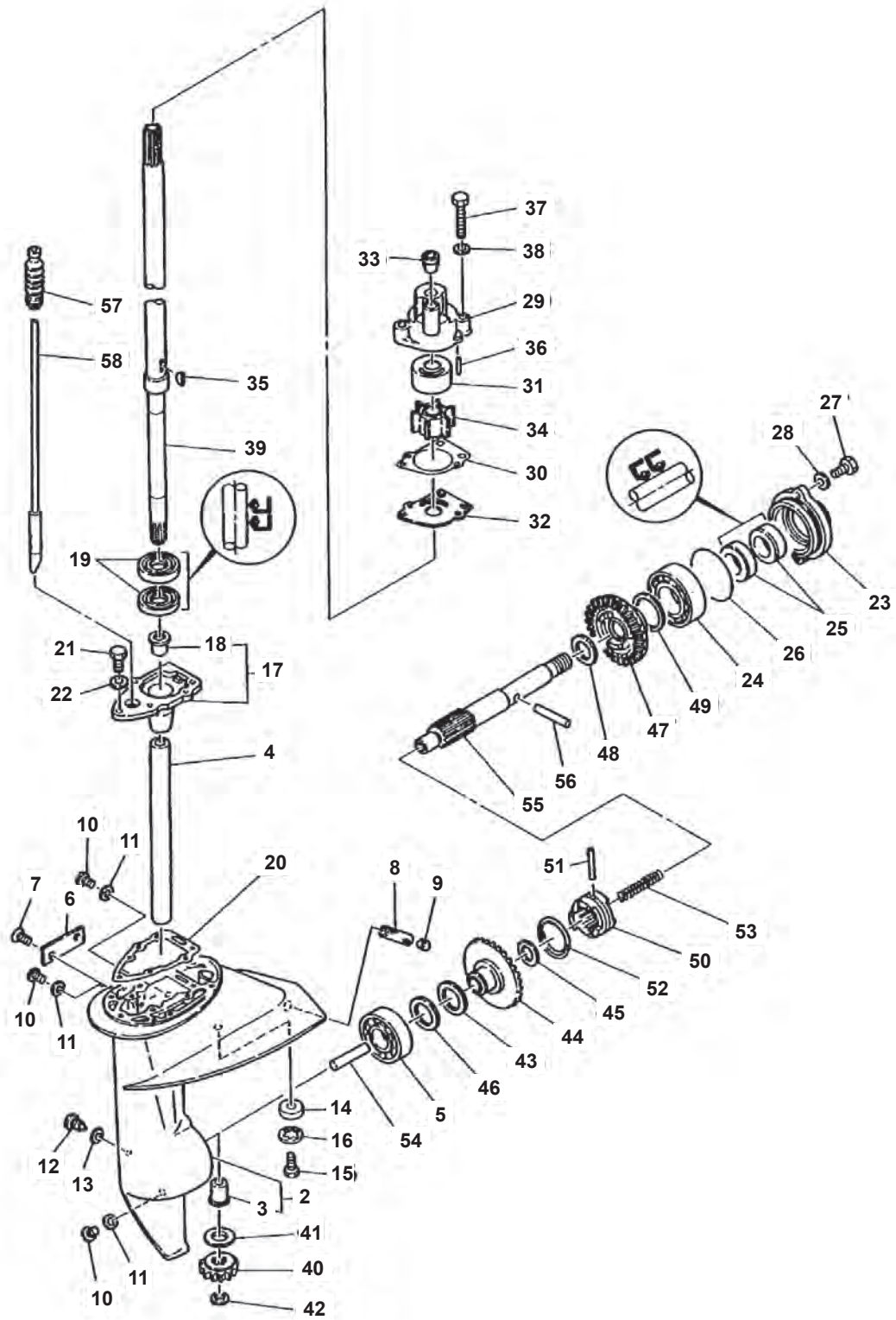
Nº	R.O./ OEM	Ref.	Descripción	Description	Descrizione
2	6E0-45311-02-4D		CARTER COLA	CASING, LOWER	CARTER PIEDE
3	6E0-45317-09	REC6E0-45317-00	CASQUILLO EJE	BUSHING	CAPPUCCIO ASSE
4	6E0-45316-09	REC6E0-45316-00	CASQUILLO EJE	BUSHING	CAPPUCCIO ASE
5	93101-10M14	REC93101-10M14	RETÉN	OIL SEAL	PARAOLIO
6	93306-004UO	PAGB/T276-94	RODAMIENTO	BEARING	CUSCINETTO
7	6L5-45251-03	CM6L5-45251-03	ÁNODO	ZINC ANODE	ANODO ZINCO
8	95895-06012		TORNILLO	BOLT	VITE
9	92990-06300		ARANDELA	WASHER	RONDELLA
10	90430-08020	REC90430-08020	JUNTA	GASKET	GUARNIZIONE
11	90340-08002	PAF4-03000023	TAPÓN	CARTER PLUG	TAPPO CARTER
12	90119-06M40		TORNILLO	BOLT	VITE
13	90387-06M14	PAF4-00000001	COLLAR	COLLAR	COLLARE
14	6E0-45321-01-5B	PAF4-03000012	PLACA	PLATE	PIASTRA
15	6E0-45315-A0	PAF4-03000011	JUNTA	PACKING	GUARNIZIONE
16	97095-06025		TORNILLO	BOLT	VITE
17	92995-06600		ARANDELA	WASHER	RONDELLA
18	6E0-45361-01-4D	PAF4-03050001	TAPA	CAP	COPERCHIO
19	93306-004UO	PAGB/T276-6004-C2	RODAMIENTO	BEARING	CUSCINETTO
20	93101-13M12	REC93101-13M12	RETÉN	OIL SEAL	PARAOLIO
21	93210-48214	REC93210-48214	ARO TÓRICO	O-RING	O-RING
22	95895-06016		TORNILLO	BOLT	VITE
23	6E0-44311-00	PAF4-03000019	CUERPO BOMBA	HOUSING	CORPO POMPA
24	6E0-44315-A0	PAF4-03000018	JUNTA BOMBA	GASKET	GUARNIZIONE POMPA
25	6E0-44322-02	REC6E0-44322-02	CASQUILLO	INSERT, CARTRIDGE	CAPPUCCIO
26	6E0-44323-00	PAF4-03000015	PLACA	OUTER PLATE	PIASTRA
27	6E0-44366-00	PAF4-03000021	RETÉN TUBO	DAMPER	PARAOLIO TUBO
28	6E0-44352-00	REC6E0-44352-00	IMPULSOR	IMPELLER	GIRANTE
29	93604-09066	PAF-03000016	PIN	PIN, DOWEL	SPINOTTO
30	97095-06045		TORNILLO	BOLT	VITE
31	93604-18080	PAF4-03000013	PIN	PIN, DOWEL	SPINOTTO
32	6E0-44328-00	PAF4-03000020	REFUERZO	PLATE	RIFORZO
33	6E0-44361-00		TUBO AGUA -eje corto-	TUBE, WATER	TUBO ACQUA
	6E0-44361-10		TUBO AGUA -eje largo-	TUBE, WATER	TUBO ACQUA
34	646-44365-00		RETÉN TUBO	DAMPER	PARAOLIO TUBO
35	6E0-45511-01	REC6E0-45511-01	EJE VERTICAL -eje corto-	SHAFT, DRIVE	ASSE VERTICALE
	6E0-45511-11	REC6E0-45511-11	EJE VERTICAL eje largo-	SHAFT, DRIVE	ASSE VERTICALE
36	90467-08M01	PAF4-03000005	CLIP	CLIP	CLIP
37	6E0-45551-00	REC6E0-45551-00	PIÑÓN	PINION	INGRANAGGIO
38	99001-06600	PAGB/T896-86	CERCLIP/	CIRCLIP	CLIP
39	90201-11M49	PAF4-03000006	ARANDELA	WASHER	RONDELLA
40	6E0-45560-00	REC6E0-45560-00	ENGRANAJE	GEAR	INGRANAGGIO
41	6E0-45570-00	REC6E0-45570-00	ENGRANAJE	GEAR	INGRANAGGIO
42	90201-13M50		ARANDELA	WASHER	RONDELLA
43	6E0-45631-00	REC6E0-45631-00	DESPLAZABLE	CLUTCH, DOG	SCORREVOLE
44	90250-05046	REC90250-05046	PASADOR	PIN STRAIGHT	SPINOTTO
45	654-45633-00		ARO SELECTOR	PING	O-RING SELETTORE
46	90501-10064		MUELLE	SPRING, COMPRESSION	MOLLA
47	654-45635-00		EMPUJADOR	PLUNGER	SPINTA
48	6E0-45611-01	REC6E0-45611-01	EJE HÉLICE	SHAFT, PROPELLER	ASSE ELICA
49	6L5-45987-01	PAF4-03000025	SEPARADOR	SPACER	DISTANZIALE
50	6L5-45616-02		TUERCA	NUT, PROPELLER	DADO
51	91490-25030	PAGB/T91-1.6X12	PASADOR ALETAS	PIN, COTTER	SPINOTTO
52	90201-08M54	PAF4-03000026	ARANDELA	WASHER	RONDELLA
53	6E0-44150-00		VARILLA SELECTOR -eje corto-	SHIFT CAM	ASTICELLA SELETTORE
	6E0-44150-10		VARILLA SELECTOR -eje largo-	SHIFT CAM	ASTICELLA SELETTORE
54	6G1-44147-00		ACOPAMIENTO	BOOT, SHIFT ROD	ACCOPIAMENTO



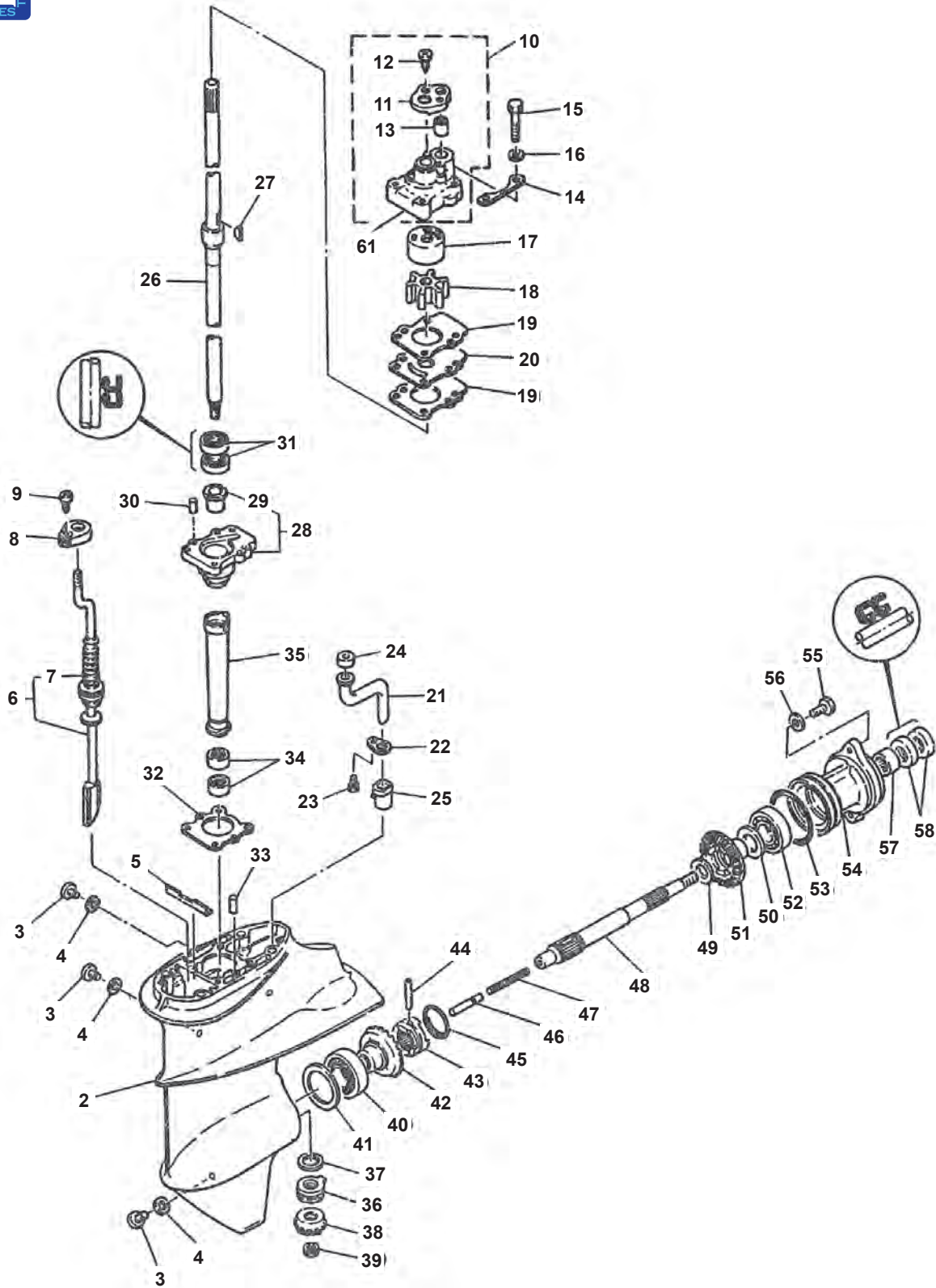
Ref.	R.O.
REC6G1-W0078-A1	6G1-W0078-A1
Kit reparación Bomba agua Water Pump kit Kit riparazione Pompa acqua	

Ref.	R.O.
REC6G1-W0001-C1	6N0-W0001-20
Kit juntas cola Gearcase seal kit Kit guarnizione piede	

Nº	R.O./ OEM	Ref.	Descripción	Description	Descrizione
1	6M8-G5300-00-4D		COLA COMPLETA	LOWER UNIT ASSY	PIEDE COMPLETO
	6M8-G5300-10-4D		COLA COMPLETA	LOWER UNIT ASSY	PIEDE COMPLETO
2	6N0-G4150-00		VARILLA DE CAMBIO	SHIFT CAM ASSY	ASTICELLA CAMBIO
	6N0-G4150-10		VARILLA DE CAMBIO	SHIFT CAM ASSY	ASTICELLA CAMBIO
3	6G1-44147-00		ACOPLE	BOOT, SHIFT ROD	RACCORDO
4	6N0-G5311-00-4D		CARTER	CASING, LOWER	CARTER
5	6G1-45317-09		CASQUILLO	BUSHING, DRIVE SHAFT	GHIERA
6	90387-14M49		TUBO GUÍA	COLLAR	TUBO GUIDA
7	93332-000V4		RODAMIENTO	BEARING	CUSCINETTO
8	CM6N0-G5251-00	CM6N0-G521-00	ÁNODO	ANODE	ANODO
9	97095-06016		TORNILLO	BOLT	VITE
10	92990-06300		ARANDELA	WASHER	RONDELLA
11	6E0-45316-09	PAF4-03000023	TAPÓN	PLUG	TAPPO
12	90430-08801		JUNTA	GASKET	GUARNIZIONE
13	6G1-45331-01-5B		CUERPO	HOUSING, BEARING	CORPO
14	6G1-45316-09		CASQUILLO	BUSHING, DRIVE SHAFT	CAPPUCCIO ASSE
15	93101-11M23	REC93101-11M23	RETÉN	OIL SEAL	PARAOLIO
16	97095-06030	REC97095-06030	TORNILLO	BOLT	VITE
17	92995-06600		ARANDELA	WASHER	RONDELLA
18	93604-08062		PIN	PIN DOWEL	SPINOTTO
19	6G1-45315-A0	REC6G1-45315-A0	JUNTA	PACKING, LOWER CASING	GUARNIZIONE
20	6N0-G5361-00-4D		DIÁVOLO	CAP, LOWER CASING	COP. SCATOLA INGRANAGGI
21	6G1-45362-09		CASQUILLO	BUSHING	GHIERA
22	93306-004YH		RODAMIENTO	BEARING	CUSCINETTO
23	93101-15074	REC93101-15074	RETÉN	OIL SEAL	PARAOLIO
24	93210-49046	REC93210-49046	ARO TÓRICO	O-RING	O-RING
25	93210-53M08	REC93210-53M08	ARO TÓRICO	O-RING	O-RING
26	97095-06016		TORNILLO	BOLT	VITE
27	92995-06600		ARANDELA	WASHER	RONDELLA
28	6N0-G4311-00		CUERPO BOMBA	HOUSING, WATER PUMP	CORPO POMPA
29	6G1-44315-A0	REC6G1-44315-A0	JUNTA	GASKET, WATER PUMP	GUARNIZIONE
30	6G1-44322-00	REC6G1-44322-00	CASQUILLO	INSERT, CARTRIDGE	GHIERA
31	6G1-44323-00	REC6G1-44323-00	PLATO	OUTTER PLATE, CARTRIDGE	PIASTRA
32	647-44366-00	REC647-44366-00	CASQUILLO GOMA	DAMPER	GHIERA GOMA
33	6G1-44352-00	REC6G1-44352-00	TURBINA	IMPELLER	GIRANTE
34	97095-06045	REC97095-06045	TORNILLO	BOLT	VITE
35	6G1-44328-00	REC6G1-44328-00	REFUERZO	PLATE	RINFORZO
36	6N0-G5551-00		EJE	SHAFT, DRIVE	ASSE
37	6N0-G5551-10		CLIP	CLIP	CLIP
38	90280-03024	REC90280-03024	CHAVETA	KEY	CHIAVETTA
39	99001-06600	REC99001-06600	CERCLIP	CIRCLIP	CIRCLIP
40	6N0-G5551-00	REC6N0-G5551-00	PIÑÓN	PINION	PIGNONE
41	6G1-45533-00-19		GRUESO	SHIM	SPESSORE
42	6N0-G5560-00	REC6N0-G5560-00	ENGRANAJE	GEAR	GEAR
43	664-45587-01-10		GRUESO	SHIM	SPESSORE
44	6N0-G5571-00	REC6N0-G5571-00	PIÑÓN	GEAR	INGRANAGGIO
45	90201-15M89		ARANDELA	WASHER, PLATE	RONDELLA
46	647-45567-00		GRUESO	SHIM	SPESSORE
47	6G1-45631-00	REC6G1-45631-00	SELECTOR	CLUTCH, DOG	SELETTORE
48	6G1-45632-00		PASADOR	PIN CROSS	SPINOTTO
49	654-45633-00		ARILLO PRESIÓN	RING CROSS PIN	O-RING
50	90501-12M38		MUELLE	SPRING, COMPRESSION	MOLLA
51	6G1-45365-00		ÉMBOLO	PLUNGER, SHIFT	BULLONE
52	6G1-45611-01	REC6G1-45611-01	EJE HÉLICE	SHAFT, PROPELLER	ASSE ELICA



Nº	R.O./OEM	Ref.	Descripción	Description	Descrizione
2	655-45310-02-4D		CARCASA INTERIOR COMPLETA	GEARCASE ASSY	PIEDE COMPLETA
3	647-45316-09	REC647-45316-09	CASQUILLO	DAMPER	GHIERA GOMA
4	90387-14108		ESPACIADOR	SPACER	SPESSORE
5	93306-00426		COJINETE	BEARING	CUSCINETTO
6	655-45214-02-4D		CUBIERTA ENTRADA DE AGUA	COVER	COPERCHIO ACQUA
7	98780-05016		TORNILLO	BOLT	VITE
8	626-45215-00		CASQUILLO	BUSH	GHIERA
9	90334-1008		TAPÓN	PLUG	TAPPO
10	90340-08M04		TORNILLO	BOLT	VITE
11	90430-08020		JUNTA	GASKET	GUARNIZIONE
12	90149-06003		TORNILLO	BOLT	VITE
13	90430-06M03	REC90430-06M03	JUNTA	GASKET	GUARNIZIONE
14	677-45251-00	CM6E0-45251-11	ÁNODO	ANODE	ANODO
15	95895-06012		TORNILLO	BOLT	VITE
16	92990-06300		ARANDELA	WASHER	RONDELLA
17	647-45331-00-94		CUERPO COJINETE	BEARING HOUSING	CORPO
18	647-45316-09	REC647-45316-09	CASQUILLO	BUSH	GHIERA
19	93101-18050	REC93101-18050	RETÉN ACEITE	OIL SEAL	PARAOILIO
20	677-45315-00		JUNTA	GASKET	GUARNIZIONE
21	97095-06020		PERNO	BOLT	VITE
22	92990-06600		ARANDELA	WASHER	RONDELLA
23	655-45361-02-4D		DIÁBOLO	HOUSING, BEARING	COP. CASSA INGRANAGGI
24	93306-00519	REC93306-00519	COJINETE	BEARING	CUSCINETTO
25	93101-15074	REC93101-15074	RETÉN ACEITE	OIL SEAL	PARAOILIO
26	93210-58677	REC93210-58677	ARO	O-RING	O-RING
27	97095-06020		PERNO	BOLT	VITE
28	92990-06600		ARANDELA	WASHER	RONDELLA
29	655-44311-03		BOMBA DE AGUA	WATER PUMP	POMPA ACQUA
30	655-44315-00		JUNTA	GASKET	GUARNIZIONE
31	650-44322-01		CASQUILLO	BUSH	GHIERA
32	655-44323-01		PLATO BOMBA	PALTE, WATER PUMP	PIASTRA POMPA
33	647-44366-00	REC647-44366-00	GOMA	RUBER BAND	GOMMA
34	662-44352-01	REC662-44352-01	IMPULSOR	IMPELLER	GIRANTE
35	90280-03024	REC90280-03024	CHAVETA	KEY	CHIAVETTA
36	93604-18080		PASADOR	PIN	SPINOTTO
37	97095-06040		PERNO	BOLT	VITE
38	92990-06600		ARANDELA	WASHER	RONDELLA
39	655-45501-10		TRANSMISIÓN	TRANSMITION	TRANSMISIONE
40	647-45551-00	REC647-45551-00	PIÑÓN	PINION	PIGNONE
41	647-45533-00-08		GRUESO	SHIM	SPESSORE
	647-45533-00-10		GRUESO	SHIM	SPESSORE
	647-45533-00-12		GRUESO	SHIM	SPESSORE
	647-45533-00-14		GRUESO	SHIM	SPESSORE
42	99080-07600		TUERCA	NUT	DADO
43	624-45567-00-03		GRUESO	SHIM	SPESSORE
	624-45567-00-05		GRUESO	SHIM	SPESSORE
44	647-45560-00	REC647-45560-00	ENGRANAJE	GEAR	INGRANAGGIO
45	90201-13198		ARANDELA	WASHER	RONDELLA
46	647-45567-00		GRUESO	SHIM	SPESSORE
47	647-45570-01	REC647-45570-00	ENGRANAJE	GEAR	INGRANAGGIO
48	90201-15229		ARANDELA	WASHER	RONDELLA
49	626-45577-00-01		GRUESO	SHIM	SPESSORE
	626-45577-00-03		GRUESO	SHIM	SPESSORE
	626-45577-00-05		GRUESO	SHIM	SPESSORE
50	655-45631-00		SELECTOR	CLUTCH	SELETTORE
51	93605-29098		PASADOR	PIN	SPINOTTO
52	93440-30040		MUELLE SELECTOR	CLUTCH SPRING	MOLLA
53	90501-10064		MUELLE COMPRESIÓN	SPRING	MOLLA
54	654-45635-00		BULÓN	PLUNGER	BULLONE
55	677-45611-01		HÉLICE	PROPELLER	ELICA
56	90250-05036	REC90250-05036	PASADOR	PIN	SPINOTTO
57	6G1-44147-00		FUELLE EJE	BELLOWS SHAFT	SOFFIETTO ASSE
58	655-44150-10		EJE SELECTOR	ROD, SHIFT	ASSE SELETTORE



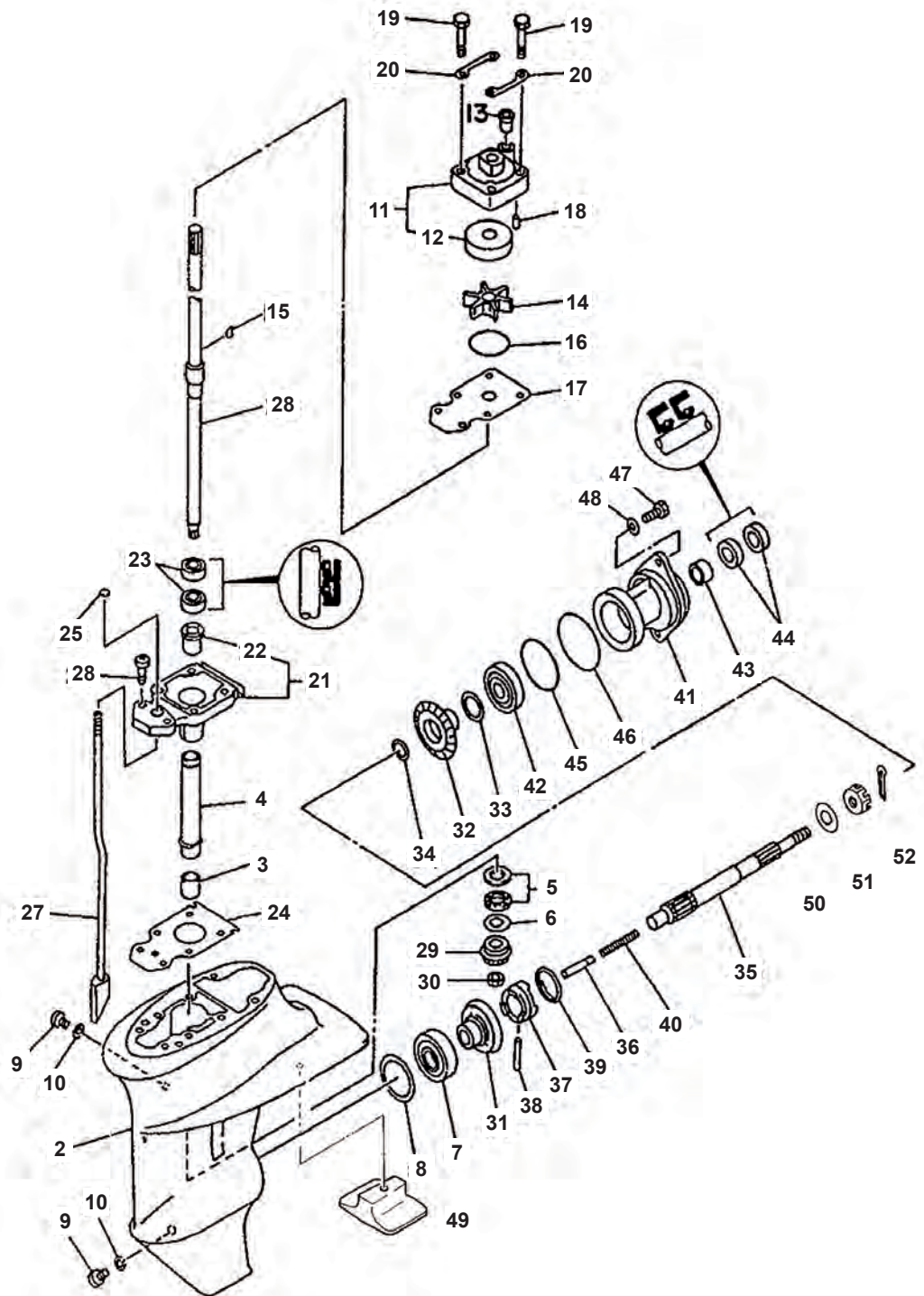
Ref.	R.O.
GLM12281	682-W0078-A1
Kit reparación Bomba agua Water Pump kit Kit riparazione Pompa acqua	

60

Ref.	R.O.
REC683-W0001-21	683-W0001-21
Kit juntas cola Gearcase seal kit Kit guarnizione piede	

59

Nº	R.O./ OEM	Ref.	Descripción	Description	Descrizione
2	6E7-45311-00-EJ		CARCASA	CASING LOWER	CARTER PIEDE
3	90340-08014	REC90340-08014	TAPÓN	PLUG, STRAIGHT SCREW	TAPPO
4	90430-08020		JUNTA	GASKET	GUARNIZIONE
5	682-45376-01		GUÍA RETÉN	GUIDE, SEAL DAMPER	GUIDA BOCCOLA
6	682-44150-00		EJE SELECTOR	SHIFT CAMP ASSY	ASSE SELETTORE
7	682-44147-00	REC682-44147-00	TAPÓN GUÍA	BOOT, SHIFT ROD	TAPPO GUIDA
8	682-44176-00		SOPORTE	BRACKET	SUPPORTO
9	97780-50510		TORNILLO	SCREW, TAPPING	VITE
10	682-44300-01		CUERPO BOMBA AGUA	HOUSING WATER PUMP ASSY	CORPO POMPA ACQUA
11	682-44312-00		TAPA CUERPO BOMBA AGUA	COVER, WATER PUMP HOUSING	COPERCHIO CORPO ACQUA
12	97780-40112		TORNILLO	SCREW, TAPPING	VITE
13	682-44365-00	REC682-44365-00	CASQUILLO GOMA	DAMPER, WATER SEAL	GHIERA GOMA
14	682-44328-00		PLATO	PLATE	PIASTRA
15	947395-06040		TORNILLO	BOLT	VITE
16	92990-06200		ARANDELA	WASHER, PLAIN	RONDELLA
17	682-44322-00	REC682-44322-00	CASQUILLO INOX.	INSERT, CARTRIDGE	GHIERA INOX.
18	682-44352-00	REC682-44352-01	TURBINA	IMPELLER	GIRANTE
19	682-44315-00	REC682-44315-00	JUNTA	GASKET, WATER PUMP	GUARNIZIONE
20	682-44323-00	REC682-44323-40	PLATO	OUTER PLATE, CARTRIDGE	PIASTRA
21	683-44362-01		TUBO AGUA	TUBE, WATER	TUBO ACQUA
22	683-44373-00		PLATO AGUA	SET PLATE, WATER PLATE	PIASTRA ACQUA
23	97395-06010		TORNILLO	BOLT	VITE
24	683-44365-01		CASQUILLO GOMA	DAMPER, WATER SEAL	GHIERA GOMMA
25	6E7-44366-00		CASQUILLO GOMA	DAMPER, WATER SEAL	GHIERA GOMMA
26	6E7-45501-00	REC6E7-45501-00	EJE	DRIVE SHAFT COMP.	ASSE VERTICALE
	6E7-45501-10	REC6E7-45501-11	EJE	DRIVE SHAFT COMP.	ASSE VERTICALE
27	90280-03024	REC90280-03024	CHAVETA	KEY, WOODRUFF	CHIAVETTA
28	6E7-45331-00-9M	REC6E7-45331-00-CA	RODAMIENTO	HOUSING, BEARING	CUSCINETTO
29	626-45316-09	REC626-45316-09	CASQUILLO	BUSHING, DRIVE SHAFT	GHIERA
30	93606-12019	REC93606-12019	PIN	PIN, DOWEL	SPINOTTO
31	93101-20048	REC93101-20048	RETÉN	OIL SEAL	PARAOLIO
32	683-45315-00	REC683-45315-A0	JUNTA	PACKING, LOWER CASING	GUARNIZIONE
33	93604-08062		PIN	PIN, DOWEL	SPINOTTO
34	93315-314V0		RODAMIENTO	BEARING	CUSCINETTO
35	6E7-45536-00		CAMISA EJE	SLEEVE, DRIVE SHAFT	TUBO GUIDA
36	93341-214U1	REC93341-214U1	RODAMIENTO	BEARING	CUSCINETTO
37	6E7-45587-00-05		GRUESO	SHIM (t:0.05mm)	SPESSORE
	6E7-45587-00-08		GRUESO	SHIM (t:0.08mm)	SPESSORE
	6E7-45587-00-12		GRUESO	SHIM (t:0.12mm)	SPESSORE
	6E7-45587-00-30		GRUESO	SHIM (t:0.30mm)	SPESSORE
	6E7-45587-00-50		GRUESO	SHIM (t:0.50mm)	SPESSORE
38	6E7-45551-00	REC6E7-45551-00	PIÑÓN	PINION	PIGNONE
39	90179-08M06	REC90179-08M06	TUERCA	NUT	DADO
40	93332-00005	REC93332-00005	RODAMIENTO	BEARING	CUSCINETTO
41	664-45567-00-05		GRUESO	SHIM (t:0.05mm)	SPESSORE
	664-45567-00-08		GRUESO	SHIM (t:0.08mm)	SPESSORE
	664-45567-00-12		GRUESO	SHIM (t:0.12mm)	SPESSORE
	664-45567-00-30		GRUESO	SHIM (t:0.30mm)	SPESSORE
	664-45567-00-50		GRUESO	SHIM (t:0.50mm)	SPESSORE
42	6E7-45560-00	REC6E7-45560-00	ENGRANAJE	GEAR	INGRANAGGIO
43	682-45631-00	REC682-45631-00	SELECTOR	CLUTCH, DOG	SELETTORE
44	90250-05010	REC90250-05010	PASADOR	PIN, STRAIGHT	SPINOTTO
45	648-45633-00	REC648-45633-00	ANILLO	RING, CROSS PIN	O-RING
46	650-45635-00	REC650-45635-00	PISTÓN	PLUNGER, SHIFT	PISTONE
47	90501-14M06	REC90501-14M06	MUELLE	SPRING, COMPRESSION	MOLLA
48	683-45611-00	REC683-45611-00	EJE HÉLICE	SHAFT, PROPELLER	ASSE ELICA
49	90201-17682	REC90201-17682	ARANDELA	WASHER, PLATE	RONDELLA
50	626-45577-00-01		GRUESO	SHIM (t:0.10mm)	SPESSORE
	626-45577-00-03		GRUESO	SHIM (t:0.30mm)	SPESSORE
	626-45577-00-05		GRUESO	SHIM (T:0.50mm)	SPESSORE
51	6E7-45571-00	REC6E7-45570-00	ENGRANAJE	GEAR	INGRANAGGIO
52	93306-00501	REC93306-00501	RODAMIENTO	BEARING	CUSCINETTO
53	93210-57M09	REC93210-57M09	ARO TÓRICO	O-RING	O-RING
54	683-45361-00-EJ	REC683-45361-01-4D	DIÁBOLO	CAP, LOWER CASING	COP. CASSA INGRANAGGI
55	97395-06020		TORNILLO	BOLT	VITE
56	92990-06600		ARANDELA	WASHER, PLATE	RONDELLA
57	93315-317U2	REC93315-317U2	RODAMIENTO	BEARING	CUSCINETTO
58	93101-17054	REC93101-17054	RETÉN	OIL SEAL	PARAOLIO
59	683-W0001-21	REC683-W0001-21	KIT JUNTAS COLA	LOWER UNIT GASKET KIT	KIT GUARNIZIONE
60	682-W0078-00	GLM12281	KIT BOMBA AGUA	WATER PUMP REPAIR KIT	KIT POMPA ACQUA
61	682-443232-40	REC682-44323-40	CUERPO BOMBA AGUA	WATER PUMP HOUSING	CORPO POMA ACQUA



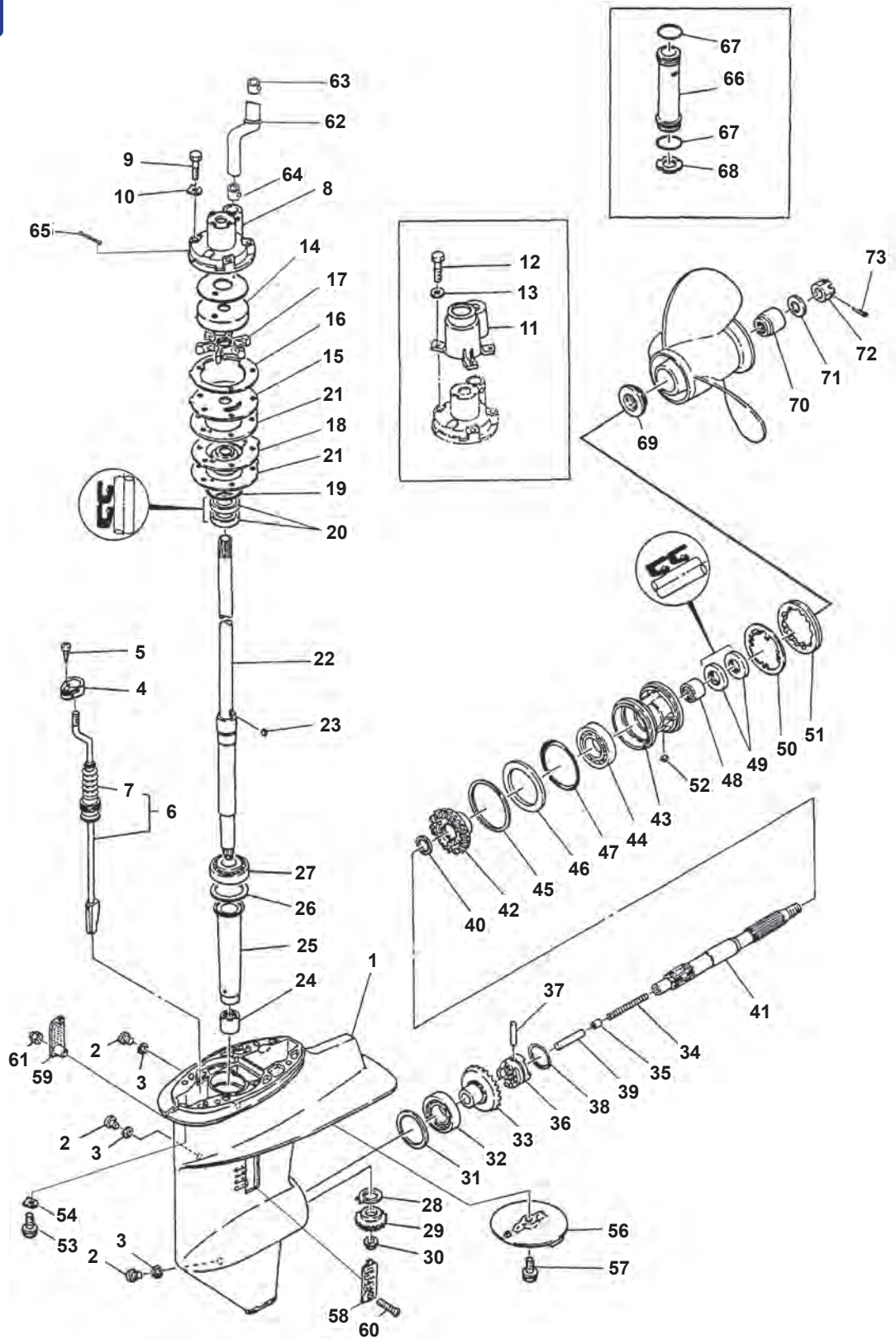
Ref.	R.O.
REC63V-W0078-01	63V-W0078-01

Kit reparación Bomba agua
Water Pump kit
Kit riparazione Pompa acqua

Ref.	R.O.
REC63V-W0001-22	63V-W0001-22

Kit juntas cola
Gearcase seal kit
Kit guarnizione piede

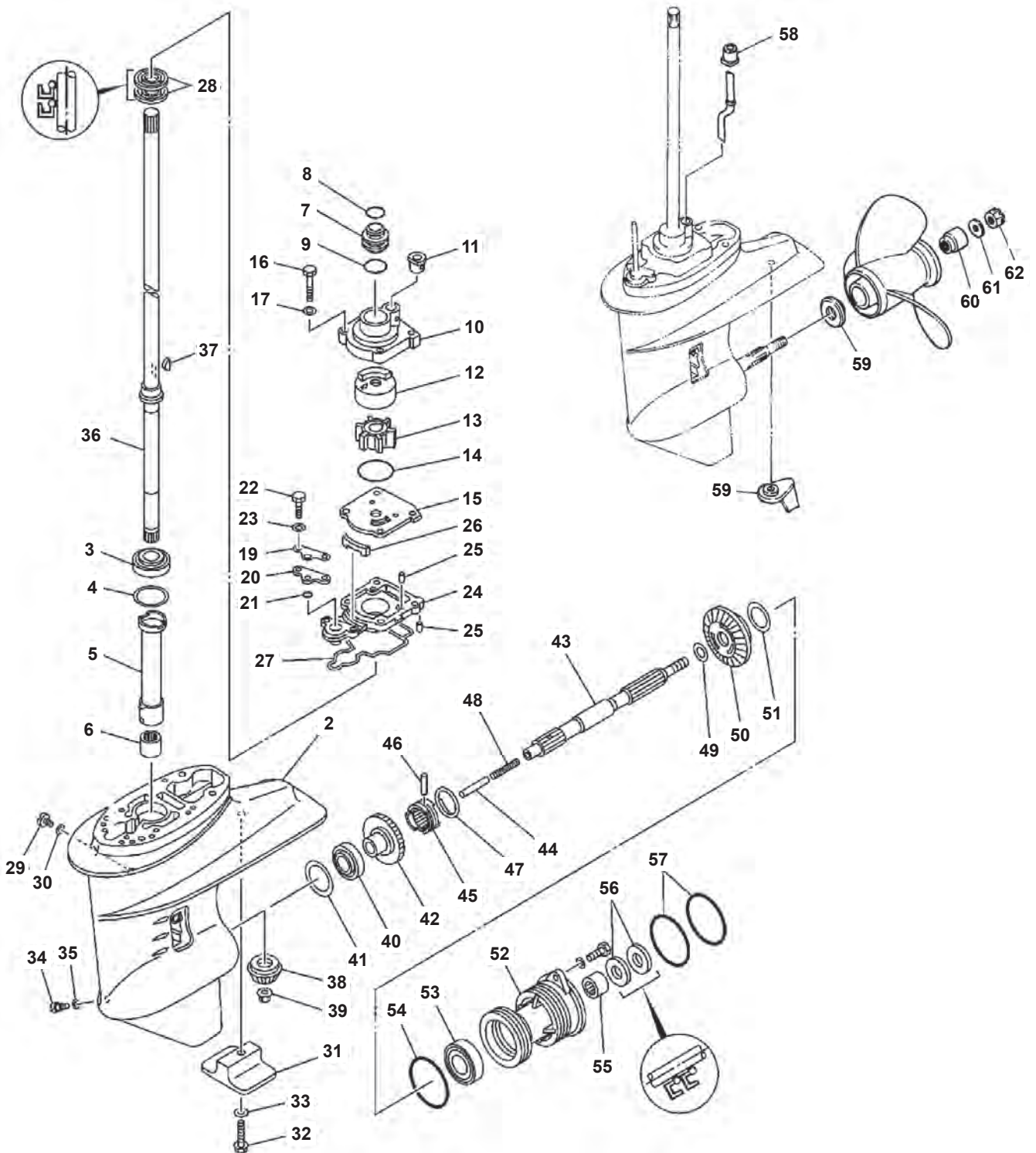
Nº	R.O. / OEM	Ref.	Descripción	Description	Descrizione
2	63V-45311-01-4D		CARTER	CASTING, LOWER	CARTER
3	93315-314V8	REC93315-314V8	RODAMIENTO	BEARING	CUSCINETTO
4	63V-45536-00	PAF15-06000006	TUBO GUÍA	SLEEVE, DRIVE SHAFT	TUBO GUIDA
5	93341-41414	REC93341-41414	RODAMIENTO	BEARING	CUSCINETTO
6	6E8-45587-10-13	PAF15-06000008	GRUESO	SHIM (t:1.13mm)	SPESSORE
7	93332-00005	REC93332-00005	RODAMIENTO	BEARING	CUSCINETTO
8	664-45567-01-10	PAF15-06000010-1	GRUESO	SHIM (t:0.10mm)	SPESSORE
9	90340-08002	PAF4-03000023	TAPÓN	PLUG, STRAIGHT SCREW	TAPPO
10	90430-08020	REC90430-08020	JUNTA	GASKET	GUARNIZIONE
11	63V-44301-00	REC63V-44301-00	CUERPO BOMBA	WATER PUMP HOUSE	CORPO POMPA
12	63V-44322-00	REC63V-44322-00	CASQUILLO INOX.	INSERT, CARTDRIGE	GHIERA INOX.
13	647-44366-00	REC26-08370	CASQUILLO JUNTA	DAMPER, WATER SEAL	BOCCOLA
14	63V-44352-01	REC63V-44352-01	TURBINA	IMPELLER	GIRANTE
15	63V44338-00	PAF15-06000013	CHAVETA	KEY, WOODRUFF	CHIAVETTA
16	93210-44398	PAJA50F404-96	ARO TÓRICO	O-RING	O-RING
17	63V-44323-00	REC63V-44323-00	PLATO BOMBA	OUTER PLATE	PIASTRA POMPA
18	93604-12M07	PAF15-00000013	PIN CENTRADOR	PIN, DOWEL	SPINOTTO
19	97080-08045	REC97080-08045	TORNILLO	BOLT	VITE
20	63V-44328-00	PAF15-06000014	REFUERZO	PLATE	RINFORZO
21	63V-45331-00-5B	REC63V-45331-00-5B	CUERPO RODAMIENTO	HOUSING	SEDE CUSCINETTO
22	90381-14020	PAF15-06020002	CASQUILLO	BUSH, SOLID	BOCCOLA
23	93101-20048	REC93101-20048	RETÉN	OIL SEAL	PARAOILIO
24	63V-45315-A0	REC63V-45315-A0	JUNTA	PACKING, LOWER CASING	GUARNIZIONE
25	93210-06ME6	REC93210-06ME6	ARO TÓRICO	O-RING	O-RING
26	97080-08025		TORNILLO	BOLT	VITE
27	63V-44150-00	PAF15-06030000S	EJE SELECTOR -eje corto-	SHIFT CAM ASSY	ASSE SELETTORE
	63V-44150-10	PAF15-06030000	EJE SELECTOR -eje largo-	SHIFT CAM ASSY	ASSE SELETTORE
28	63V-45510-01	REC63V-45510-01	EJE VERTICAL -eje corto-	DRIVE SHAFT ASSY	ASSE VERTICALE
	63V-45510-11	REC63V-45510-11	EJE VERTICAL -eje largo-	DRIVE SHAFT ASSY	ASSE VERTICALE
29	63V-45551-00	REC63V-45551-00	ENGRANAJE	PINION	INGRANAGGIO
30	90179-08M06	REC90179-08M06	TUERCA	NUT	DADO
31	6E7-45560-01	REC6E7-45560-01	ENGRANAJE	GEAR	INGRANAGGIO
32	6E7-45571-00	REC6E7-45570-00	ENGRANAJE	GEAR	INGRANAGGIO
33	626-45577-00	PAF15-06080006-1	GRUESO	SHIM	SPESSORE
34	90201-17682	REC90201-17682	ARANDELA	WASHER, PLATE	RONDELLA
35	683-45611-00	REC683-45611-00	EJE HÉLICE	SHAFT, PROPELLER	ASSE ELICA
36	650-45635-00	REC650-45635-00	BULÓN	PLUNGER, SHIFT	BULLONE
37	682-45631-00	REC682-45631-00	DESPLAZABLE	CLUTCH DOG	SCORREVOLE
38	90250-05010	REC90250-05010	PASADOR SELECTOR	PIN, STRAIGHT	SPINOTTO SELETTORE
39	648-45633-00	REC683-45361-02-94	MUELLE SELECTOR	RING, CROSS PIN	MOLLA SELETTORE
40	90501-14M06	PAF15-06070002	MUELLE COMPRESIÓN	SPRING	MOLLA
41	683-45361-02-4D	REC683-45361-0194	DIÁBOLO CIERRE	CAP, LOWER CASING	CHIUSURA CASSA INGRANAGGI
42	93306-00501	REC93306-00501	RODAMIENTO	BEARING (B6005)	CUSCINETTO
43	93315-317U2	REC93315-317U2	RODAMIENTO	BEARING	CUSCINETTO
44	93101-17054	REC93101-17054	RETÉN	OIL SEAL	PARAOILIO
45	93210-57M09	REC93210-57M09	ARO TÓRICO	O-RING	O-RING
46	93210-56M80	PAF15-06080003	ARO TÓRICO	O-RING	O-RING
47	97095-06020		TORNILLO	BOLT	VITE
48	92995-06600	PAGB/T97.1-85	ARANDELA	WASHER	RONDELLA
49	61N-45251-01	CM61N-45251-01	ÁNODO	ANODE	ANODO
50	6E7-45987-01	REC6E7-45987-01	SEPARADOR	SPACER	DISTANZIALE
51	90171-10M01	REC90171-10M01	TUERCA HÉLICE	NUT, CASTLE	DADO ELICA
52	91490-30020	REC91490-30020	PASADOR ALETAS	PIN, COTTER	PIN ELICA



Ref.	R.O.
GLM12059	689-W0078-A6
Kit reparación Bomba agua Water Pump kit Kit riparazione Pompa acqua	

Ref.	R.O.
REC689-W0001-21	689-W0001-21
Kit juntas cola Gearcase seal kit Kit guarnizione piede	

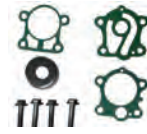
Nº	R.O. / OEM	Ref.	Descripción	Description	Descrizione
1	689-45311-04-EK3		CARCASA	CASING	CARCASSA
2	90340-08M04	PAF4-03000023	TAPONES	PLUG	TAPPO
3	90430-08020	REC90430-08020	JUNTA TAPON	GASKET	GUARNIZIONE TAPPO
8	689-44311-03	GLM12076	CUERPO BOMBA AGUA	HOUSING W.P.	CORPO POMPA ACQUA
9	90101-06M56	GLM22507	TORNILLO CUERPO BOMBA	BOLT	VITE
10	90209-06M04		ARANDELA	WASER	RONDELLA
14	689-W4432-02	REC689-W4432-01	ACOPLE	INSERT CUP	ACCOPPIAMENTO
15	689-44323-03	REC689-44323-00	CHAPA	PLATE	PIASTRA
15	689-44323-02	REC689-44323-00	CHAPA	PLATE	PIASTRA
16	689-44324-A0	GLM38109	JUNTA, CHAPA	GASKET	GUARNIZIONE
17	689-44352-02-	REC689-44352-02	IMPULSOR	IMPELLER	GIRANTE
18	689-44325-02-5B		BASE, BOMBA AGUA	HOUSING	BASE, POMPA ACQUA
19	93210-40M10	GLM84285	ARO, BASE BOMBA	O-RING	O-RING
20	93101-22067	REC93101-22067	RETÉN ACEITE	OIL SEAL	PARAOLIO
21	689-44316-A0	GLM38108	JUNTA BASE	GASKET	GUARNIZIONE
21	689-44315-A0	GLM38009	JUNTA BASE	GASKET	GUARNIZIONE
22	689-45501-00		EJE (CORTO)	DRIVE SHAFT	ASSE VERTICALE
22	689-45501-10	REC689-45501-10	EJE (LARGO)	DRIVE SHAFT	ASSE VERTICALE
23	664-44338-00	GLM89589	CHAVETA	KEY	CHIAVETTA
24	93315-017U4	REC93315-017U4	COJINETE, PIÑÓN	BEARING	CUSCINETTO
25	689-45536-00		CAMISA	SLEEVE	ASSE
27	93332-000U4		COJINETE	BEARING	CUSCINETTO
28	664-45552-09		COJINETE	BEARING	CUSCINETTO
29	689-45551-00	REC689-45551-00	PIÑÓN	GEAR	PIGNONE
30	90179-09M02	REC90179-09M02	TUERCA, PIÑÓN	NUT	DADO
32	93332-00005	REC93332-00005	COJINETE	BEARING	CUSCINETTO
33	689-45560-00	REC689-45560-00	PIÑÓN	GEAR	PIGNONE
34	90501-10065		MUELLE	SPRING	MOLLA
35	648-45634-00		DESPLAZABLE	SLIDE	SCORREVOLE
36	664-45631-01	REC664-45631-01	SELECTOR	CLUTCH	SELETTORE
37	90250-05010	REC90250-05010	PASADOR	PIN	SPINOTTO
38	648-45633-00	REC648-45633-00	ARO, PASADOR	CROSS PIN	O-RING
39	648-45635-00	REC648-45635-00	PIVOTE	PIN	PERNO
40	90201-20417	REC90201-20417	ARANDELA	WASHER	RONDELLA
41	689-45611-00	REC689-45611-00	EJE HÉLICE	SHAFT PROPELLER	ASSE ELICA
42	689-45570-00	REC689-45570-00	PIÑÓN MARCHA ATRÁS	GEAR R.V	PIGNONE MARCIA INDIETRO
43	689-45331-01-94		COJINETE	BEARING	CUSCINETTO
44	93306-00612	REC93306-00612	COJINETE	BEARING	CUSCINETTO
46	664-45576-00		ARANDELA	WASHER	RONDELLA
47	93210-30MA3		ARO, COJINETE	O-RING	O-RING
48	93315-22004	REC93315-22004	COJINETE	BEARING	CUSCINETTO
49	93101-20M07	REC93101-20M07	RETÉN	OIL SEAL	PARAOLIO
50	902-14-45M02		ARANDELA	WASHER	RONDELLA
51	664-45384-00	REC664-45384-00	TUERCA	NUT	DADO
52	90282-04010	REC90282-04010	CHAVETA	KEY	CHIAVETTA
56	CM664-45371-01-00	CM664-45371-01-00	ÁNODO	ANODE	ANODO
57	90105-08M02		TORNILLO	BOLT	VITE
63	689-44366-00	GLM38305	RETÉN SUPERIOR TUBO DE AGUA	DUMPER WATER TUBE	PARAOLIO SUPERIORE TUBO ACQUA
64	626-44365-01	GLM12869	RETÉN SUPERIOR TUBO DE AGUA	DUMPER WATER TUBE	PARAOLIO SUPERIORE TUBO ACQUA
65	689-44314-00		ESPACIADOR	SPACER	DISTANZIALE
69	664-45987-00	REC664-45987-00	ESPACIADOR	SPACER	DISTANZIALE
70	689-45997-00	REC689-45997-00	ESPACIADOR	SAPCER	DISTANZIALE
71	92990-14200		ARANDELA	WASHER	RONDELLA
72	90171-14013	REC90171-14013	TUERCA HÉLICE	NUT	DADO
73	91490-30030	REC91490-30030	PASADOR	COTTER PIN	PIN



Ref.	R.O.
REC61N-W0001-E1	61N-W0001-E1
Kit juntas cola Gearcase seal kit Kit guarnizione piede	

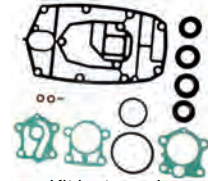
Nº	R.O. / OEM	Ref.	Descripción	Description	Descrizione
1	69P-45300-01-4D		COLA COMPLETA	LOWER UNIT ASSY	PIEDE COMPLETO
	69P-45300-11-4D		COLA COMPLETA	LOWER UNIT ASSY	PIEDE COMPLETO
2	61N-45311-02-4D		CARTER	CASING, LOWER	CARTER
3	93332-000WS	REC93332-000W5	RODAMIENTO	BEARING	CUSCINETTO
4	61N-45587-00-07	PAF25-04000003-1	GRUESO	SHIM (t:0.7mm)	SPESSORE
5	61N-45536-00	PAF25-04000002	TUBO GUÍA	SLEEVE, DRIVE SHAFT	TUBO GUIDA
6	93315-220V7	REC93315-220V7	RODAMIENTO	BEARING	CUSCINETTO
7	61N-44362-00	PAF25-04000017S	TUBO AGUA LARGO	LARGE WATER TUBE	TUBO ACQUA
7	61N-44362-10	PAF25-04000017	TUBO AGUA LARGO	LARGE WATER TUBE	TUBO ACQUA
8	93210-22164	PAGB/T3452.1-25.8X2.65	ARO TÓRICO	O-RING	O-RING
9	93210-26130	PAGB/T3452.1-25.8X2.65	ARO TÓRICO	O-RING	O-RING
10	69P-44311-00	PAF25-04050001	CUERPO BOMBA	HOUSING, WATER PUMP	CORPO POMPA
11	6L2-44367-00	PAF25-04050004	CASQUILLO INOX.	INSERT, CARTRIDGE	BOCCOLA INOX.
12	61N-44322-01	REC61N-44322-00	TURBINA	IMPELLER	GIRANTE
13	6H4-44352-02	REC6H4-04352-02	ARO TÓRICO	O-RING	O-RING
14	93210-45161	PAF25-04050003	PLATO TÓRICO	O-RING	O-RING
15	61N-44323-00	REC61N-44323-00	PLATO BOMBA AGUA	OUTTER PLATE, CARTRIDGE	PIASTRA POMPA ACQUA
16	97095-06040	GLM22428	TORNILLO	BOLT	VITE
17	92995-06600	PAGB/T97.1-6	ARANDELA	WASHER	RONDELLA
19	61N-44176-00		SOPORTE	BRACKET	SUPPORTO
20	61N-45321-00		PLATO	PLATE	PIASTRA
21	93210-06ME6		ARO TÓRICO	O-RING	O-RING
22	97095-06025		TORNILLO	BOLT	VITE
23	92995-06600		ARANDELA	WASHER	RONDELLA
24	61N-45331-00-5B		CASQUILLO	HOUSING, BEARING	BOCCOLA
25	93604-10M03	PAF25-04000007	PIN CENTRADO	PIN, DOWEL	SPINOTTO
26	61N-45127-00	PAF25-04000013	RETÉN	SEAL	PARAOLIO
27	61N-45315-00	PAF25-04000009	JUNTA	PACKING, LOWER CASING	GUARNIZIONE
28	93101-22067	REC93101-22067	RETÉN	OIL SEAL	PARAOLIO
29	90340-08002	REC90340-08002	TAPÓN	PLUG, STRAIGHT SCREW	TAPPO
30	90430-08020	GLM38015	JUNTA	GASKET	GUARNIZIONE
31	61N-45251-01	CM61N-45251-01	ÁNODO	ANODE	ANODO
32	95895-06035		TORNILLO	BOLT, FLANGE	VITE
33	92990-06300		ARANDELA	WASHER, INTERNAL TOOTH	RONDELLA
34	688-45341-10	REC688-45341-00	TAPÓN VACIADO	PLUG, DRAIN	TAPPO
35	90430-08020	GLM38015	JUNTA	GASKET	GUARNIZIONE
36	61N-45510-00	REC61N-45510-00	EJE VERTICAL	DRIVE SHAFT ASSY	ASSE VERTICALE
	61N-45510-10	REC61N-45510-10	EJE VERTICAL	DRIVE SHAFT ASSY	ASSE VERTICALE
37	90280-03M03	REC90280-03M03	CHAVETA	KEY, WOODRUFF	CHIAVETTA
38	61N-45551-00	REC61N-45551-00	ENGRANAJE	PINION	PIGNONE
39	90179-10M14	REC90179-10M14	TUERCA	NUT	DADO
40	93332-00005	REC93332-00005	RODAMIENTO	BEARING	CUSCINETTO
41	6L2-45567-00-10	PAF25-04000004-1	GRUESO	SHIM (t:1.0mm)	SPESSORE
42	61N-45560-10	REC61N-45560-10	ENGRANAJE	GEAR	INGRANAGGIO
43	6L2-45611-00	REC6L2-45611-00	EJE HÉLICE	SHAFT, PROPELLER	ASSE ELICA
44	648-45635-00	REC648-45635-00	BULÓN	PLUNGER, SHIFT	BULLONE
45	664-45631-02	REC664-45631-00	DEAPLAZABLE	CLUTCH, DOG	SCORREVOLE
46	90250-05010	REC90250-05010	PASADOR	PIN, STRAIGHT	SPINOTTO
47	648-45633-00	REC648-45633-00	MUELLE	RING, CROSS PIN	MOLLA
48	90501-10065	PAF25-04060002	MUELLE COMPRESIÓN	SPRING, COMPRESSION	MOLLA
49	90201-20417	REC90201-20417	ARANDELA	WASHER, PLATE	RONDELLA
50	61N-45571-00	REC61N-45570-00	ENGRANAJE	GEAR	INGRANAGGIO
51	6L2-45577-00-10	PAF25-04070005-1	GRUESO	SHIM (t:1.0mm)	SPESSORE
52	61N-45361-01-4D	PAF25-04070001	DIÁBOLO	CAP, LOWER CASING	COP. CASSA INGRANAGGI
53	93306-00612	REC93306-00612	RODAMIENTO	BEARING	CUSCINETTO
54	93210-64ME7	REC93210-64ME7	ARO TÓRICO	O-RING	O-RING
55	93315-22004	REC93315-22004	RODAMIENTO	BEARING	CUSCINETTO
56	93101-20M07	REC93101-20M07	RETÉN	OIL SEAL	PARAOLIO
57	93210-65M50	REC93210-65M50	ARO TÓRICO	O-RING	O-RING
58	689-44366-00	GLM38305	CASQUILLO	DAMPER, WATER SEAL	BOCCOLA
59	61N-45371-00	CM61N-453471-00	ÁNODO ZINC	TAB-TRIM	ANODO ZINCO
60	6L2-45987-01	REC6L2-45987-00	SEPARADOR	SPACER	DISTANZIALE
61	689-45997-00	REC689-45997-00	SEPARADOR	SPACER	DISTANZIALE
62	92990-14200	PAGB/9T97.1-14	ARANDELA	WASHER, PLAIN	RONDELLA
63	90171-14013	REC90171-14013	TUERCA	NUT, CASTLE	DADO

Ref.	R.O.
GLM12285	6J8-W0078-A2

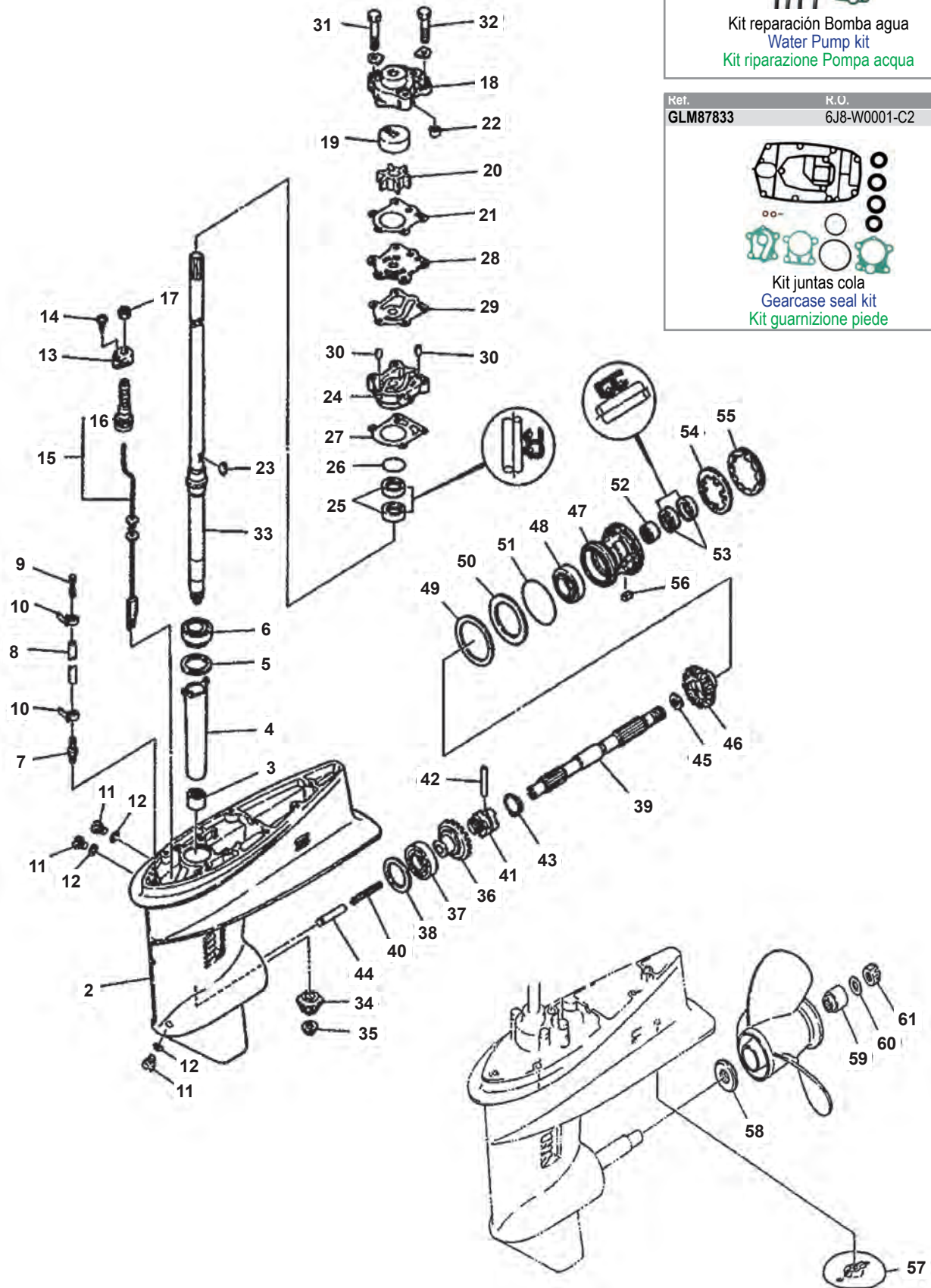


Kit reparación Bomba agua
Water Pump kit
Kit riparazione Pompa acqua

Ref.	R.O.
GLM87833	6J8-W0001-C2



Kit juntas cola
Gearcase seal kit
Kit guarnizione piede



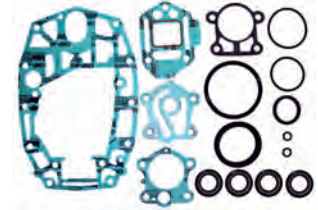
Nº	R.O. / OEM	Ref.	Descripción	Description	Descrizione
1	6J8-45300-04-4D		COLA COMPLETA	LOWER UNIT ASSY	PIEDE COMPLETO
	6J8-45300-14-4D		COLA COMPLETA	LOWER UNIT ASSY	PIEDE COMPLETO
2	6J8-45301-02-4D		CARTER	CASING, LOWER	CARTER
3	93315-220V7	REC93315-220V7	RODAMIENTO	BEARING	CUSCINETTO
4	6J8-45536-00		TUBO GUIA	SLEEVE, DRIVE SHAFT	TUBO GUIDA
5	663-45587-01		GRUESO	SHIM (t:0.10mm)	SPESSORE
6	93332-00001	REC93332-00001	RODAMIENTO	BEARING	CUSCINETTO
7	6E5-45378-00		RACORD	NIPPLE, HOSE	RACCORDO
8	90445-07ME9		TUBO	HOSE (L120)	TUBO
	90445-07M31		TUBO	HOSE (L120)	TUBO
9	6E5-83558-00		RACORD	END, NIPPLE	RACCORDO
10	90465-11M10		ABRAZADERA	CLAMP	FASCETTA
11	90340-08002	REC90340-08014	TAPÓN	PLUG, STRAIGHT SCREW	TAPPO
12	90430-08020	REC90430-08020	JUNTA	GASKET	GUARNIZIONE
13	682-44176-00		SOPORTE	BRACKET	SUPPORTO
14	97780-50510		TORNILLO	SCREW, TAPPING	VITE
15	6J8-44150-00		EJE SELECTOR	SHIFT CAM ASSY	ASSE SELETTORE
	6J8-44150-10		EJE SELECTOR	SHIFT CAM ASSY	ASSE SELETTORE
16	682-44147-00	REC682-44147-00	TAPÓN GUÍA	BOOT, SHIFT ROD	TAPPO
17	95380-06700		TUERCA	NUT	DADO
18	6J8-44311-00	REC6J8-44311-00	CUERPO BOMBA AGUA	HOUSING, WATER	CORPO POMPA ACQUA
19	663-44322-00	REC663-44322-00	CASQUILLO INOX	INSERT, CARTRIDGE	BOCCOLA INOX.
20	6H4-44352-02	REC6H4-44352-02	TURBINA	IMPELLER	GIRANTE
21	663-44315-A0	REC663-44315-A0	JUNTA	GASKET, WATER PUMP	GUARNIZIONE
22	663-44366-00	REC663-44366-00	CASQUILLO GOMA	DAMPER, WATER SEAL	BOCOLLA GOMMA
23	90280-03024	REC90280-03024	CHAVETA	KEY, WOODRUFF	CHIAVETTA
24	663-44341-00		TAPA INFERIOR, BOMBA	HOUSING	COPERCHIO INFERIORE POMPA
25	93101-23070	REC93101-23070	RETÉN	OIL SEAL	PARAOILIO
26	93210-41042	REC93210-41042	ARO TÓRICO	O-RING	O-RING
27	663-44316-A0	REC663-44316-A0	JUNTA	GASKET, WATER PUMP	GUARNIZIONE
28	663-44323-00	REC663-44323-00	PLATO BOMBA AGUA	OUTTER PLATE	PIASTRA POMPA ACQUA
29	663-44324-A0	REC663-44324-00	JUNTA	GASKET, CARTRIDGE	GUARNIZIONE
30	93604-08062		CENTRADOR	PIN, DOWEL	SPINOTTO
31	90119-08M13	REC90119-08M13	TORNILLO	BOLT, WITH WASHER	VITE
32	90119-08M34		TORNILLO	BOLT WITH WASHER	VITE
33	6J8-45501-00		EJE	DRIVE SHAFT COMP.	ASSE
	6J8-45501-10		EJE	DRIVE SHAFT COMP.	ASSE
34	6J8-45551-00		ENGRANAJE	PINION (13T)	PIGNONE
35	90179-10M14	REC90179-10M14	TUERCA	NUT	DADO
36	6J8-45560-00		ENGRANAJE	GEAR 1 (24T)	INGRANAGGIO
37	93332-000V6		RODAMIENTO	BEARING	CUSCINETTO
38	6J8-45567-01		GRUESO	SHIM	SPESSORE
39	6J8-45611-00		EJE	SHAFT, PROPELLER	ASSE ELICA
40	90501-10065	PAF25-04060002	MUELLE	SPRING, COMPRESSION	MOLLA
41	6J8-45631-00		DESPLAZABLE	CLUTCH DOG	SCORREVOLE
42	90250-05010	REC90250-05010	PASADOR	PIN, STRAIGHT	SPINOTTO
43	648-45633-00	REC648-45633-00	ARO	RING CROSS PIN	O-RING
44	6J8-45635-00		BULÓN	PLUNGER, SHIFT	BULLONE
45	90201-20417	REC90201-20417	ARANDELA	WASHER, PLATE	RONDELLA
46	6J8-45571-00		ENGRANAJE	GEAR 2 (24T)	INGRANAGGIO
47	689-45331-01-94		DIÁBOLO	HOUSING, BEARING	COP. CASSA INGRANAGGI
48	93306-00612	REC93306-00612	RODAMIENTO	BEARING	CUSCINETTO
49	664-45577-01		GRUESO	SHIM	SPESSORE
50	664-45576-00		ARANDELA	WASHER, THRUST	RONDELLA
51	93210-60MA3	REC93210-60MA3	ARO TÓRICO	O-RING	O-RING
52	93315-22004	REC93315-22004	RODAMIENTO	BEARING	CUSCINETTO
53	93101-20M07	REC93101-20M07	RETÉN	OIL SEAL	PARAOILIO
54	90214-45M02		ARANDELA	WASHER, CLAW	RONDELLA
55	664-45384-00	REC664-45384-00	TUERCA	NUT	DADO
56	90282-04010	REC90282-04010	CHAVETA	KEY, STRAIGHT	CHIAVETTA
57	664-45371-01	CM664-45371-01	ÁNODO DERIVA	TAB-TRIM	ANODO
58	6L2-45987-01	REC6L2-45987-00	DISTANCIADOR	SPACER	DISTANZIALE
59	689-45997-00	REC689-45997-00	DISTANCIADOR	SPACER	DISTANZIALE
60	92990-14200	PAGB/T 97.1-14	ARANDELA	WASHER, PLAIN	RONDELLA
61	90171-14013	REC90171-14013	TUERCA HÉLICE	NUT, CASTLE	DADO

Ref. **GLM12064** R.O. **6H4-W0078-A0**

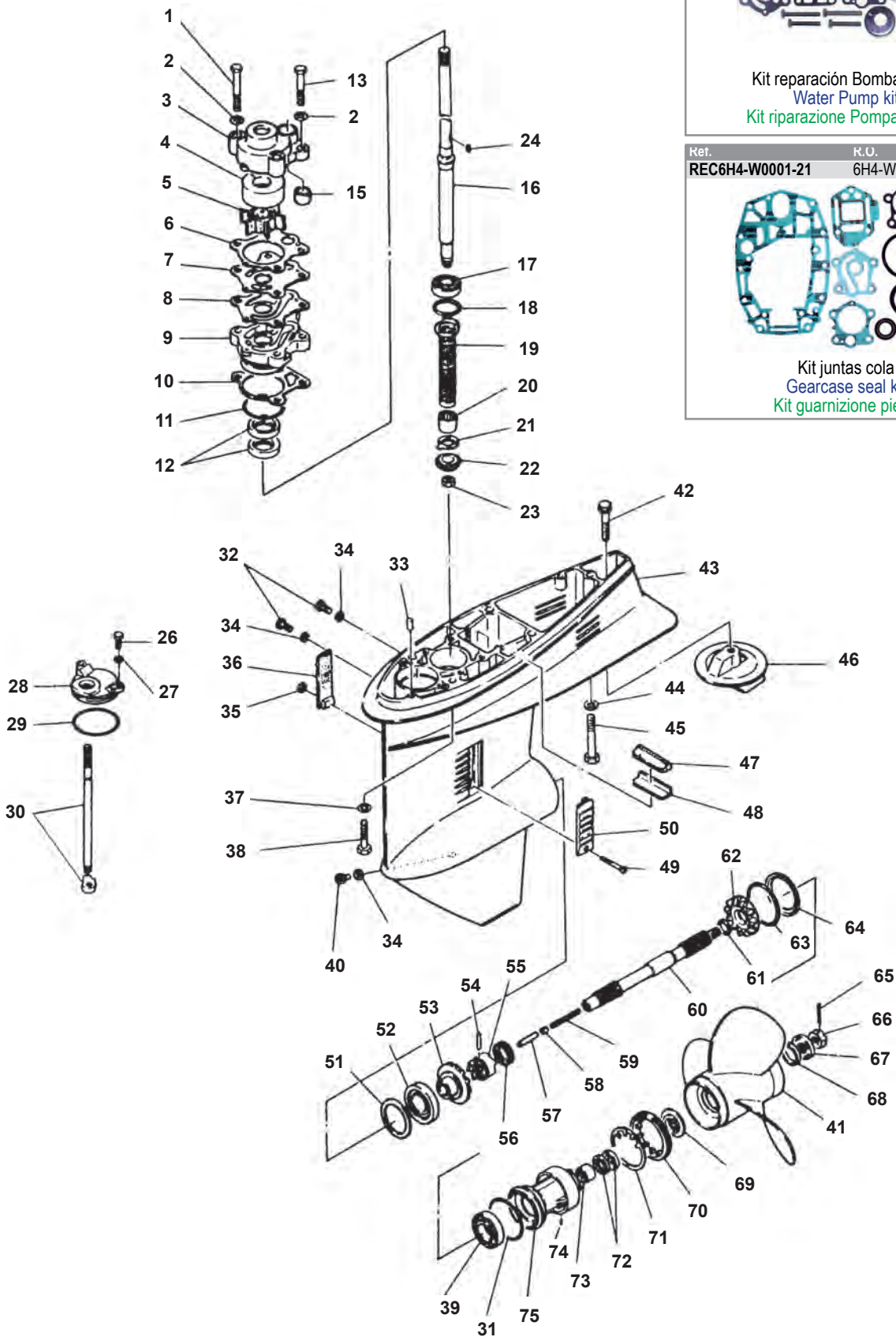


Kit reparación Bomba agua
Water Pump kit
Kit riparazione Pompa acqua

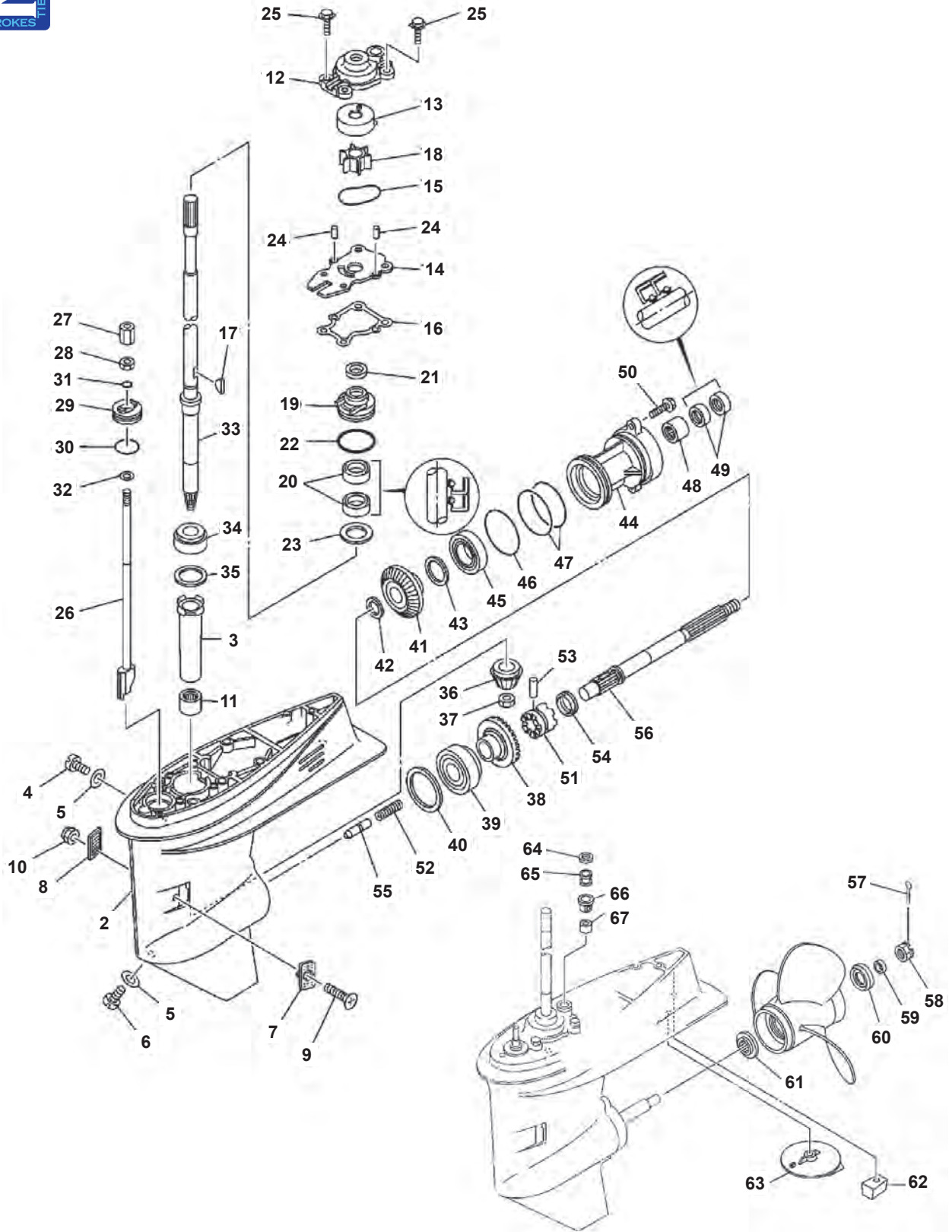
Ref. **REC6H4-W0001-21** R.O. **6H4-W0001-21**



Kit juntas cola
Gearcase seal kit
Kit guarnizione piede



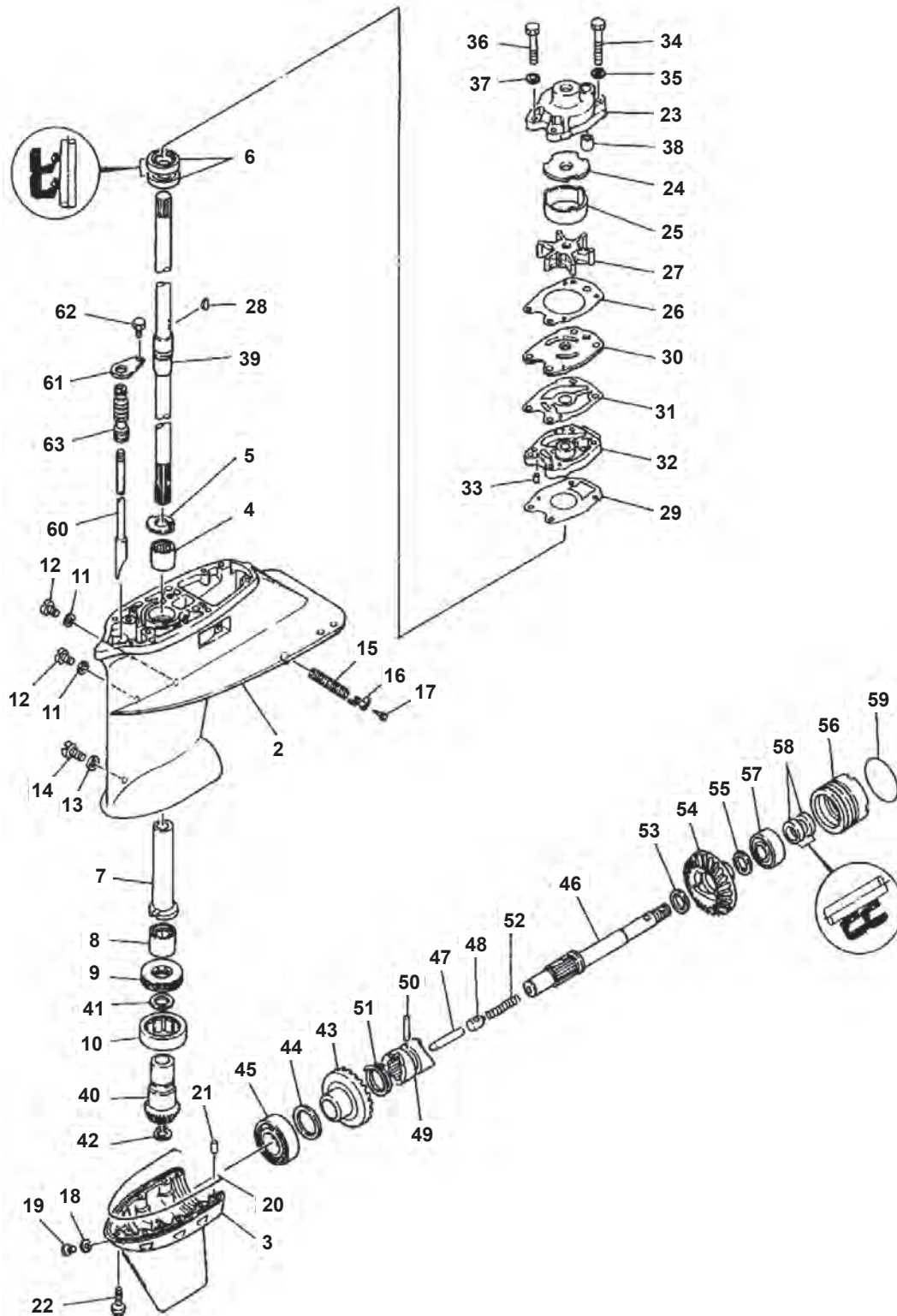
Nº	R.O. / OEM	Ref.	Descripción	Description	Descrizione
1	97395-08055	REC97095-08055	TORNILLO	BOLT	VITE
2	92990-08600		ARANDELA	WASHER	RONDELLA
3	663-44311-02	REC663-44311-02	CUERPO BOMBA AGUA	HOUSING WATER P.	CORPO POMPA ACQUA
4	663-44322-00	REC663-44322-00	CASQUILLO	INSERT CARTRIDGE	BOCCOLA
5	6H4-44352-02	REC6H4-44352-02	IMPULSOR	IMPELLER	GIRANTE
6	663-44315-A0	REC663-44315-00	JUNTA	GASKET	GUARNIZIONE
7	663-44323-00	REC663-44323-00	TAPA	OUTTER PLATE	TAPPO
8	663-44324-A0	REC663-44324-00	JUNTA	GASKET	GUARNIZIONE
9	663-44341-00		BASE BOMBA AGUA	HOUSING	BASE POMPA ACQUA
10	663-44316-A0	REC663-44316-A0	JUNTA BASE	GASKET	GUARNIZIONE
11	93210-41042	REC93210-41042	ARO, BASE BOMBA	O-RING	O-RING
12	93101-23070	REC93101-23070	RETÉN ACEITE	OIL SEAL	PARAOILIO
13	97395-08045	REC97095-08045	TORNILLO	BOLT	VITE
15	663-44366-00	REC663-44366-00	RETÉN ACEITE	OIL SEAL	PARAOILIO
16	6H4-45501-00		EJE (CORTO)	DRIVE SHAFT	ASSE VERTICALE
16	6H4-45501-10		EJE (LARGO)	DRIVE SHAFT	ASSE VERTICALE
17	93332-00079		COJINETE RODILLOS	BEARING	CUSCINETTO
19	6H4-45536-00		CAMISA, EJE	SLEEVE	CAMICIA
20	93315-32224	REC93315-32224	RODAMIENTO AGUJAS	BEARING	CUSCINETTO
21	663-45552-00	REC663-45552-00	COJINETE (HASTA 1998)	BEARING	CUSCINETTO
22	6H4-45551-00	REC6H4-45551-00	PIÑÓN	GEAR	PIGNONE
23	90170-12138	REC90170-12138	TUERCA	NUT	DADO
24	90280-03024	REC90280-03024	CHAVETA	KEY	CHIAVETTA
26	97095-06016		TORNILLO	BOLT	VITE
27	92990-06600		ARANDELA	WASHER	RONDELLA
28	6H4-45321-01		PLATO	CAP	PIASTRA
29	93210-49046	REC93210-49046	ARO PLATO	O-RING	O-RING
31	93210-66M98	REC93210-66M98	ARO	O-RING	O-RING
39	93306-00702	REC93306-00702	RODAMIENTO BOLAS	BEARING	CUSCINETTO
40	688-45341-00	REC688-45341-00	TAPÓN DRENAJE	PLUG	TAPPO
42	97575-08675		TORNILLO ÁNODO	BOLT	VITE
43	6H4-45301-01-EK		CARTER	CASING	CARTER
44	92990-08100		ARANDELA	WASHER	RONDELLA
45	97095-08085		TORNILLO	BOLT	VITE
46	664-45371-01	CM664-45371-01	ÁNODO	ANODE	ANODO
47	688-45375-00		RETÉN	OIL SEAL	PARAOILIO
51	6H4-45567-00		SUPLEMENTO	SHIM	SPESSORE
52	93332-000V4		COJINETE	BEARING	CUSCINETTO
53	6H4-45560-00	REC6H4-45560-00	PIÑÓN	GEAR	PIGNONE
54	90250-06023	REC90250-06023	PASADOR	PIN	SPINOTTO
55	663-45631-01	REC663-45631-00	DESPLAZABLE	CLUTCH	SCORREVOLE
56	663-45633-00	REC663-45633-00	ARO	SPING	O-RING
57	676-45635-00	REC676-45635-00	PIVOTE	PIN	SPINOTTO
58	663-45634-00	REC663-45634-00	CASQUILLO	SLIDE	BOCCOLA
59	90501-16M01		MUELLE	COMPRESSION SPING	MOLLA
60	679-45611-01	REC679-45611-00	EJE HÉLICE	SHAFT PROPELLER	ASSE ELICA
61	90201-22429	REC90201-22429	ARANDELA	WASHER	RONDELLA
62	6H4-45571-00	REC6H4-45570-00	PIÑÓN MARCHA ATRÁS	GEAR REV.	PIGNONE MARCIA INDIETRO
64	663-45576-00		ARANDELA	WASHER	RONDELLA
65	91490-30030	REC91490-30030	PASADOR	PIN COTTER	SPINOTTO
66	90171-16011	REC90171-16011	TUERCA	NUT	DADO
67	92990-16200	GLM21225	ARANDELA	WASHER	RONDELLA
68	670-45997-02	REC670-45997-00	ESPACIADOR	SPACER	DISTANZIALE
69	663-45987-02	REC663-45987-00	ESPACIADOR	SPACER	DISTANZIALE
70	697-45384-00	REC697-45384-00	TUERCA	NUT	DADO
71	90214-48M03		ARANDELA	WASHER	RONDELLA
72	93101-22067	REC93101-22067	RETÉN ACEITE	OIL SEAL	PARAOILIO
73	93317-22204	REC93317-22204	COJINETE AGUJAS	CILINDRIC BEARING	CUSCINETTO
74	90282-04010	REC90282-04010	CHAVETA	KEY	CHIAVETTA
75	679-45331-00-94		COJINETE	BEARING	CUSCINETTO



Ref.	R.O.
REC66T-W0078-00	66T-W0078-00
Kit reparación Bomba agua Water Pump kit Kit riparazione Pompa acqua	

Ref.	R.O.
REC66T-W0001-20	66T-W0001-20
Kit juntas cola Gearcase seal kit Kit guarnizione piede	

Nº	R.O. / OEM	Ref.	Descripción	Description	Descrizione
1	66T-45300-01-4D		COLA COMPLETA	LOWER UNIT ASSY	PIEDE COMPLETO
	66T-45300-11-4D		COLA COMPLETA	LOWER UNIT ASSY	PIEDE COMPLETO
2	66T-45311-01-4D		CARTER	CASING, LOWER	CARTER
3	6H4-45536-00		TUBO GUÍA	SLEEVE	TUBO
4	90340-08002	REC90340-08014	TAPÓN	PLUG	TAPPO
5	90430-08020	REC90430-08020	JUNTA	GASKET	GUARNIZIONE
6	688-45341-10	REC688-45341-00	TAPÓN	PLUG	TAPPO
7	63D-45214-00		TAPA	COVER	COPERCHIO
8	63D-45215-00		TAPA	COVER	COPERCHIO
9	90142-05M06		TORNILLO	SCREW	VITE
10	95380-05600		TUERCA	NUT	DADO
11	93315-32224	REC93315-32224	RODAMIENTO	BEARING	CUSCINETTO
12	66T-44311-00	REC66T-44311-00	CUERPO BOMBA AGUA	HOUSING, WATER PUMP	CORPO POMPA ACQUA
13	63D-44322-00	REC63D-44322-00	CASQUILLO	INSERT	BOCCOLA
14	66T-44323-00	REC66T-44323-00	PLATO	OUTTER PLATE	PIASTRA
15	93210-59MG7	REC93210-59MG7	ARILLO TÓRICO	O-RING	O-RING
16	63D-44316-00	REC63D-44316-00	JUNTA	GASKET, WATER PUMP	GUARNIZIONE
17	90280-03M03	REC90280-03M03	CHAVETA	KEY	CHIAVETTA
18	6H4-44352-02	REC6H4-44352-02	TURBINA	IMPELLER	GIRANTE
19	63D-44341-00	REC63D-44341-00	CUERPO	HOUSING	CORPO
20	93101-22M60	REC93101-22M60	RETÉN	OIL SEAL	PARAOLIO
21	66T-45344-01		TAPA	COVER	COPERCHIO
22	93210-48MG8	REC93210-48MG8	ARILLO TÓRICO	O-RING	O-RING
23	90201-27M00		ARANDELA	WASHER	RONDELLA
24	93604-08062		PASADOR	PIN	SPINOTTO
25	90119-08M15	REC90119-08M15	TORNILLO	BOLT	VITE
26	66T-44150-01		EJE	SHIFT CAM ASSY	ASSE
	66T-44150-11		EJE	SHIFT CAM ASSY	ASSE
27	61N-44146-00	REC61N-44146-00	CONECTOR	CONNECTOR	RACCORDO
28	95380-06700	REC95380-06700	TUERCA	NUT	DADO
29	66T-45321-00		PLATO	PLATE	PIASTRA
30	93210-337MG4	REC93210-33MG4	ARILLO TÓRICO	O-RING	O-RING
31	93210-06ME6	REC93210-06ME6	ARILLO TÓRICO	O-RING	O-RING
32	92990-06600		ARANDELA	WASHER	RONDELLA
33	66T-45501-01	REC66T-45501-01	EJE VERTICAL	DRIVE SHAFT	ASSE VERTICALE
	66T-45501-11	REC66T-45501-10	EJE VERTICAL	DRIVE SHAFT	ASSE VERTICALE
34	93332-00001	REC93332-00001	RODAMIENTO	BEARING	CUSCINETTO
35	663-45587-01		GRUESO	SHIM	SPESSORE
36	66T-45551-00	REC66T-45551-00	PIÑÓN	PINION (13T)	PIGNONE
37	90170-12138	REC90170-12138	TUERCA	NUT	DADO
38	66T-45560-01	REC66T-45560-00	PIÑÓN	GEAR 1 (26T)	PIGNONE
39	93332-00003	REC93332-00003	RODAMIENTO	BEARING	CUSCINETTO
40	663-45567-60		GRUESO	SHIM	SPESSORE
41	66T-45571-00	REC66T-45570-00	PIÑÓN	PINION 2 (26T)	PIGNONE
42	90201-22429	REC90201-22429	ARANDELA	WASHER	RONDELLA
43	63D-45577-00		GRUESO	SHIM	SPESSORE
44	63D-45361-02-4D	REC63D-45361-02-4D	DIÁVOLO	CAP	COP. CASSA INGRANAGGI
45	93306-001U1	REC93306-001U1	RODAMIENTO	BEARING	CUSCINETTO
46	93210-69MG6	REC93210-69MG6	ANILLO TÓRICO	O-RING	O-RING
47	93210-74MG5	REC93210-74MG5	ANILLO TÓRICO	O-RING	O-RING
48	93317-22204	REC93317-22204	RODAMIENTO	BEARING	CUSCINETTO
49	93101-22M00	REC93101-22M00	RETÉN	OIL SEAL	PARAOLIO
50	90105-08M61		TORNILLO	BOLT	VITE
51	66T-45631-00	REC66T-45631-00	SELECTOR	CLUTCH, DOG	SELETTORE
52	90501-15M01		MUELLE	SPRING	MOLLA
53	90250-06023	REC90250-06023	PASADOR	PIN	SPINOTTO
54	663-45633-00	REC663-45633-00	ANILLO	RING	O-RING
55	66T-45635-00	REC66T-45635-00	BULÓN	PLUNGER	BULLONE
56	66T-45611-00	REC66T-45611-00	EJE HÉLICE	SHAFT	ASSE ELICA
57	91490-30025	REC91490-30025	PASADOR ALETAS	PIN	SPINOTTO
58	90171-16011	REC90171-16011	TUERCA HÉLICE	NUT, CASTLE	DADO
59	90389-22M01	REC90389-22M01	CASQUILLO GRUESO	BUSH	BOCCOLA
60	66T-45997-00	REC66T-45997-00	ESPACIADOR	SPACER	DISTANZIALE
61	663-45987-02	REC663-45987-00	ESPACIADOR	SPACER	DISTANZIALE
62	67C-45251-00	CM67C-45251-00	ÁNODO	ANODE	ANODO
63	664-45371-01	CM664-45371-01	ÁNODO DERIVA	TAB-TRIM	ANODO
64	90430-12072	REC90430-12072	JUNTA	GASKET	GUARNIZIONE
65	663-44367-00		CASQUILLO	DAMPER	BOCCOLA
66	63D-44312-00	GLM12874	TAPA	COVER	COPERCHIO
67	663-44366-00	REC663-44366-00	CASQUILLO	DAMPER	BOCCOLA



Ref.	R.O.
REC6F5-W0078-A0	6F5-W0078-A0
	
Kit reparación Bomba agua Water Pump kit Kit riparazione Pompa acqua	

Ref.	R.O.
REC6F5-W0001-C0	6F5-W0001-C0
	
Kit juntas cola Gearcase seal kit Kit guarnizione piede	

Nº	R.O. / OEM	Ref.	Descripción	Description	Descrizione
1	6F6-45300-02-4D		CONJUNTO UNIDAD INFERIOR	LOWER UNIT ASSY	PIEDE COMPLETO
	6F6-45300-12-4D		CONJUNTO UNIDAD INFERIOR	LOWER UNIT ASSY	PIEDE COMPLETO
	6F6-453000-22-4D		CONJUNTO UNIDAD INFERIOR	LOWER UNIT ASSY	PIEDE COMPLETO
2	6F5-45311-02-4D		FUNDA INFERIOR	CASING	COPERCHIO INFERIORE
3	6F5-45312-01-4D	REC6F5-45312-00-4D	FUNDA INFERIOR	CASING	COPERCHIO INFERIORE
4	93315-217U0	REC93315-217U0	COJINETE DE RODILLOS	BEARING	CUSCINETTO
5	676-45533-00	REC676-45533-00	ARANDELA DE EMPUJE AXIAL	WASHER	RONDELLA
6	93101-22M00	REC93101-22M00	SELLO ACEITE	OIL SEAL	PARAOILIO
7	676-45536-00		CAMISA EJE DE MANDO	SLEEVE	CAMICIA ASSE
8	93315-324U1	REC93315-324U1	COJINETE DE RODILLOS	BEARING	CUSCINETTO
9	93342-624U0	REC93342-624U0	COJINETE CON RODAMIENTOS	BEARING	CUSCINETTO
10	93390-000U0	REC93390-000U0	COJINETE DE RODILLOS	BEARING	CUSCINETTO
11	90430-08020	REC90430-08020	JUNTA	GASKET	GUARNIZIONE
12	90340-08002		TORNILLO, DRENAJE	BOLT DRAIN	VITE
13	90430-06M03		JUNTA	GASKET	GUARNIZIONE
14	90149-06M00		TORNILLO, DE REGLAJE	BOLT	VITE
15	676-45215-01		CUBIERTA ENTRADA AGUA	COVER FILTER	COPERCHIO ACQUA
16	6F5-45279-01		TAPA	CAP	TAPPO
17	97780-60525		TORNILLO CABEZA DE CONO ACH	BOLT	VITE
18	90430-08020	REC90430-08020	JUNTA	GASKET	GUARNIZIONE
19	688-45341-10	REC688-45341-00	TAPÓN, DREN	BOLT DRAIN	TAPPO
20	676-45314-00	REC676-45314-00	SELLO DE FUNDA INFERIOR	SEAL	BOCCOLA COPERCHIO INFERIORE
21	93604-09068		PASADOR DE CLAVIJA	PIN	SPINOTTO
22	90105-06M01	REC90105-06M01	TORNILLO	BOLT	VITE
23	676-44311-00		CAJA BOMBA AGUA	HOUSING WATER PUMP	ALLOGGIAMENTO POMPA ACQUA
24	676-44321-40		PLACA INTERIOR CARTUCHO	PLATE	PIASTRA
25	676-44322-40		CARTUCHO	INSERT CARTRIDGE	CARTUCCIA
26	676-44315-A1	REC676-44315-00	EMPAQUE	GASKET	GUARNIZIONE
27	6F5-44352-00	REC6F5-44352-00	IMPULSOR	IMPELLER	GIRANTE
28	90280-04M00	REC90280-04M00	CUNA WOODRUFF	KEY WOODRUFF	CHIAVE WOODRUFF
29	676-44316-A1	REC676-44316-A1	EMPAQUE	GASKET	GUARNIZIONE
30	676-44323-40	REC676-44323-00-40	PLACA EXTERIOR DEL CARTUCHO	PLATE	PIASTRA
31	676-44324-A1	REC676-44324-A0	EMPAQUE	GASKET	GUARNIZIONE
32	676-44341-94	REC676-44341-00	CAJA BOMBA DE AGUA	HOUSING WATER PUMP	ALLOGGIAMENTO POMPA ACQUA
33	93604-08062		PASADOR DE CLAVIJA	PIN, DOWEL	SPINOTTO
34	97095-08055	REC97095-08055	PERNO	BOLT	VITE
35	92995-08600		ARANDELA	WASHER	RONDELLA
36	97095-08045	REC97095-08045	PERNO	BOLT	VITE
37	92995-08600		ARANDELA	WASHER	RONDELLA
38	663-44366-00	REC663-44366-00	GOMA DEL SELLO DE AGUA	DAMPER WATER SEAL	BOCCOLA GOMMA ACQUA
39	676-45501-00		EJE DE MANDO COMPL.	DRIVE SHAFT	ASSE VERTICALE
	676-45501-10	REC676-45501-10	EJE DE MANDO COMPL.	DRIVE SHAFT	ASSE VERTICALE
	676-45501-20		EJE DE MANDO COMPL.	DRIVE SHAFT	ASSE VERTICALE
40	6F5-45551-00	REC6F5-45551-00	PIÑÓN	PINION (13T)	PIGNONE
41	676-45587-00-70	REC676-45587-00-70	GRUESO	SHIM (t:0.070mm)	SPESSORE
	676-45587-00-75	REC676-45587-00-75	GRUESO	SHIM (t:0.075mm)	SPESSORE
	676-45587-00-80	REC676-45587-00-80	GRUESO	SHIM (t:0.080mm)	SPESSORE
	676-45587-00-85		GRUESO	SHIM (t:0.085mm)	SPESSORE
42	93410-16007		SEGURO	CLIP	CLIP
43	6F5-45560-00	REC6F5-45560-00	ENGRANAJE COMPLE 1	GEAR	INGRANAGGIO
44	676-45567-00-07	REC93332-000U0	GRUESO	SHIM (t:0.7mm)	SPESSORE
	676-45567-00-08		GRUESO	SHIM (t:0.8mm)	SPESSORE
	676-45567-00-09		GRUESO	SHIM (t:0.9mm)	SPESSORE
	676-45567-00-10		GRUESO	SHIM (t:1.0mm)	SPESSORE
	676-45567-00-11		GRUESO	SHIM (t:1.1mm)	SPESSORE
	676-45567-00-12		GRUESO	SHIM (t:1.2mm)	SPESSORE
45	93332-000U0	REC93332-000U0	COJINETE	BEARING	CUSCINETTO
46	6F6-45611-00	REC6F6-45611-00	EJE PROPULSOR	SHAFT PROPELLER	ASSE GIRANTE
47	676-45635-00	REC676-45635-00	ÉMBOLO DE CAMBIO	PLUNGER SHIFT	CAMBIO PISTONE
48	663-45634-00	REC663-45634-00	DESLIZADOR, CAMBIO	SLIDE SHIFT	SCORREVOLE
49	663-45631-01	REC663-45631-00	EMBRAGUE DE GARRA	CLUTCH DOG	GIUNTO A DENTI FRONTALI
50	90250-06023	REC90250-06023	PASADOR CILÍNDRICO	PIN, STRAIGHT	SPINOTTO
51	663-45633-00	REC663-45633-00	ANILLO DE PASADOR	RING, CROSS PIN	O-RING
52	90501-16M01		RESORTE DE COMPRESIÓN	SPRING	MOLLA
53	90201-20MA8		ARANDELA PLANA	WASHER	RONDELLA
54	6F5-45570-00	REC6F5-45570-00	ENGRANAJE COMPL 2.	GEAR	INGRANAGGIO
55	676-45577-00-18		GRUESO	SHIM (t:1.8mm)	SPESSORE
	676-45577-00-19		GRUESO	SHIM (t:1.9mm)	SPESSORE
	676-45577-00-20		GRUESO	SHIM (t:2.0mm)	SPESSORE
	676-45577-00-21		GRUESO	SHIM (t:2.1mm)	SPESSORE
	676-45577-00-22		GRUESO	SHIM (t:2.2mm)	SPESSORE
	676-45577-00-23		GRUESO	SHIM (t:2.3mm)	SPESSORE
	676-45577-00-24		GRUESO	SHIM (t:2.4mm)	SPESSORE
	676-45577-00-25		GRUESO	SHIM (t:2.5mm)	SPESSORE
56	676-45361-01-94	REC676-45361-01-94	FUNDA INFERIOR	CAP LOWER CASING	COPERCHIO INFERIORE
57	93306-20401	REC93306-204Y7	COJINETE (B6204)	BEARING	CUSCINETTO
58	93101-20048	REC93101-20048	SELLO ACEITE	OIL SEAL	PARAOILIO
59	93210-57M00		ARO TÓRICO	O-RING	O-RING
60	676-44150-00		CONJUNTO EJE LEVA COMPL.	SHIFT	ALBERO COMPLETO
	676-44150-10		CONJUNTO EJE LEVA COMPL.	SHIFT	ALBERO COMPLETO
	676-44150-20		CONJUNTO EJE LEVA COMPL.	SHIFT	ALBERO COMPLETO
61	650-45321-00		PLACA	PLATE	PIASTRA
62	97095-06010		PERNO	BOLT	VITE
63	650-44147-00	REC650-44147-00	HULE DE VARILLA	BOOT, SHIFT ROD	AVVIO, BARRA DI SPOSTAMENTO

Ref.	R.O.
REC663-W0078-01	663-W0078-01

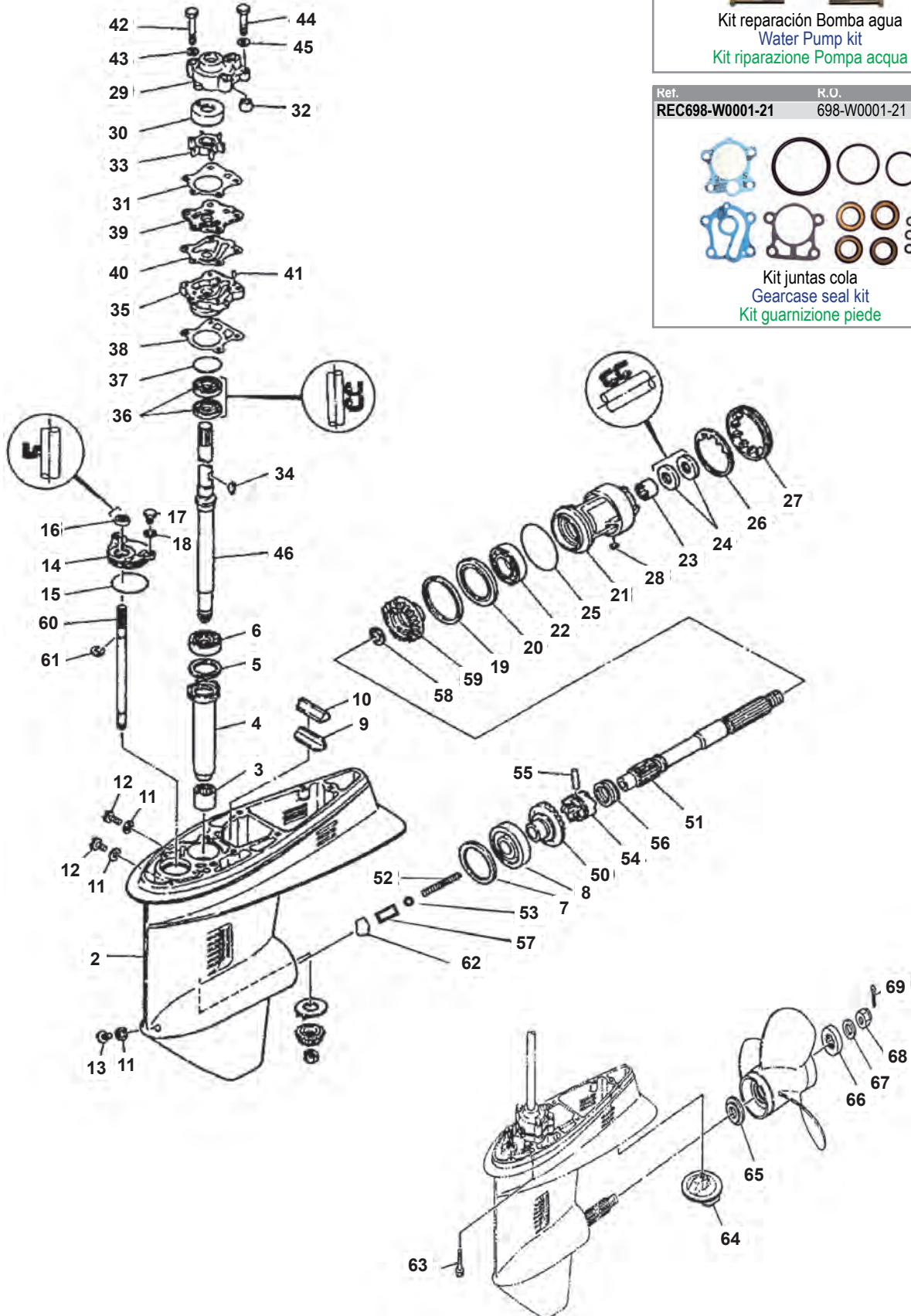


Kit reparación Bomba agua
Water Pump kit
Kit riparazione Pompa acqua

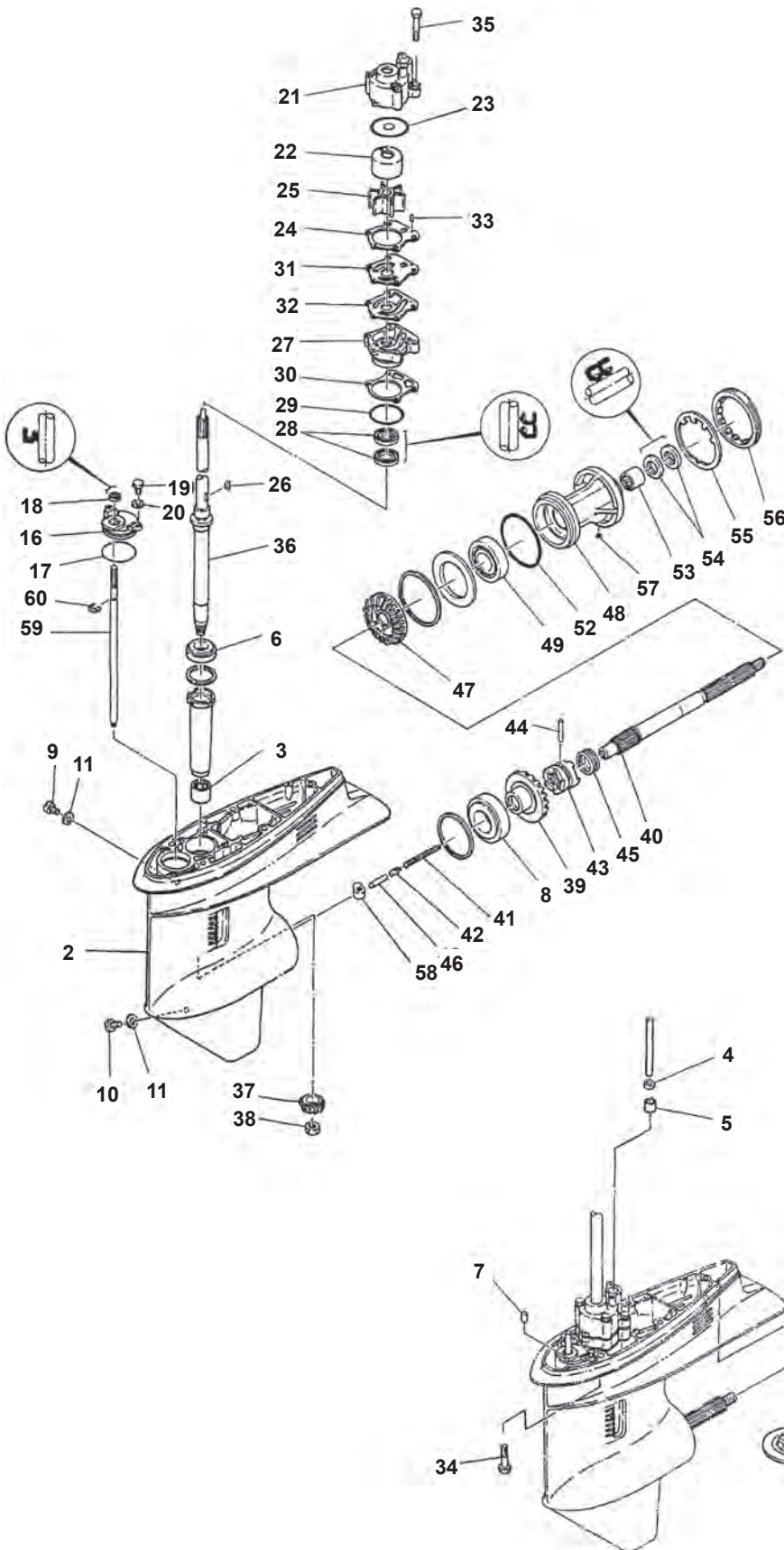
Ref.	R.O.
REC698-W0001-21	698-W0001-21



Kit juntas cola
Gearcase seal kit
Kit guarnizione piede



Nº	R.O. / OEM	Ref.	Descripción	Description	Descrizione
1	697-45300-01-4D		CONJUNTO UNIDAD	LOWER UNIT ASSY	PIEDE COMPLETO
2	697-45311-02-4D		FUNDA INTERIOR	CASING LOWER	COPERCHIO INFERIORE
3	93315-32224	REC93315-32224	COJINETE DE RODILLOS	BEARING	CUSCINETTO
4	663-45536-00		CAMISA EJE	SLEEVE, DRIVE SHAFT	CAMICIASSE
5	663-45587-01-10		GRUESO	SHIM	SPESSORE
6	93332-00001	REC93332-00001	COJINETE	BEARING	CUSCINETTO
7	663-45567-01-10		LAINA	SHIM (t:0.10mm)	SPESSORE
8	93332-00003	REC93332-00003	COJINETE	BEARING	CUSCINETTO
9	663-45376-00-94		SELLO GOMA	GUIDE, SEAL DAMPER	GUIDA, BOCCOLA
10	663-45375-00		GOMA DE SELLO	DAMPER, SEAL	BOCCOLA GOMMA
11	90430-08020	REC90430-08020	JUNTA	GASKET	GUARNIZIONE
12	90340-08002	REC90340-08002	TORNILLO	STRAIGHT SCREW	VITE
13	688-45341-10	REC688-45341-00	TAPÓN, DREN	PLUG, DRAIN	TAPPO
14	663-45321-00		PLACA	PLATE	PIASTRA
15	93210-49046	REC93210-49046	ANILLO O	O-RING	O-RING
16	93106-09014	REC93106-09014	RETÉN DE ACEITE	OIL SEAL	PARAOLIO
17	97095-06016		PERNO	BOLT	VITE
18	92995-06600		ARANDELA	WASHER	RONDELLA
19	663-45577-01-10		LAINA	SHIM	SPESSORE
20	663-45576-00		ARANDELA DE EMPUJE	WASHER, THURST	RONDELLA
21	663-45331-00-94	REC663-45331-00-94	CAJA DE COJINETE	HOUSING, BEARING	SEDE CUSCINETTO
22	93306-00702	REC93306-00702	COJINETE	BEARING	CUSCINETTO
23	93317-22204	REC93317-22204	COJINETE	BEARING	CUSCINETTO
24	93101-22067	REC93101-22067	SELLO ACEITE	OIL SEAL	PARAOLIO
25	93210-66M98	REC93210-66M98	ANILLO O	O-RING	O-RING
26	90214-48M03	REC90214-48M03	ARANDELA	WASHER	RONDELLA
27	697-45384-00	REC697-45384-00	TUERCA	NUT	DADO
28	90282-04010	REC90282-04010	CHAVETA	KEY, STRAIGHT	CHIAVETTA
29	663-44311-02	REC663-44311-02	CAJA BOMBA	HOUSING, WATER PUMP	CORPO POMPA
30	663-44322-00	REC663-44322-00	CARTUCHO	INSERT CARTRIDGE	CARTUCCIA
31	663-44315-A0	REC663-44315-00	EMPAQUE	GASKET, WATER PUMP	GUARNIZIONE
32	663-44366-00	REC663-44366-00	GOMA SELLO	DAMPER, WATER SEAL	BOCCOLA GOMMA
33	697-44352-00	REC697-44352-00	IMPULSOR	IMPELLER	GIRANTE
34	90280-03M03	REC90280-03M03	CUNA WOODRUFF	KEY, WOODRUFF	CHIAVE WOODRUFF
35	663-44341-00	REC663-44341-02	CAJA BOMBA	HOUSING, WATER PUMP	CORPO POMPA
36	93101-23070	REC93101-23070	SELLO ACEITE	OIL SEAL	PARAOLIO
37	93210-41042	REC93210-41042	ANILLO O	O-RING	O-RING
38	663-44316-A0	REC663-44316-A0	EMPAQUE	GASKET, WATER PUMP	GUARNIZIONE
39	663-44323-00	REC663-44323-00	PLACA EXTERIOR	OUTTER PLATE	PIASTRA EXT.
	670-44323-00	REC670-44323-00	PLACA EXTERIOR	OUTTER PLATE	PIASTRA EXT.
40	663-44324-A0	REC663-44324-00	EMPAQUE	GASKET, CARTRIDGE	GUARNIZIONE
41	93604-08062		PASADOR DE CLAVIJA	PIN, DOWEL	SPINOTTO
42	97095-08055	REC97095-08055	PERNO	BOLT	VITE
43	92995-08600	GLM21720	ARANDELA	WASHER	RONDELLA
44	97095-08045	REC97095-08045	PERNO	BOLT	VITE
45	92995-08600	GLM21720	ARANDELA	WASHER	RONDELLA
46	663-45510-01	REC663-45510-01	EJE DE MANDO	DRIVE SHAFT ASSY	ASSE VERTICALE
47	663-45552-00	REC663-45552-00	COJINETE PLANO	BEARING, PLAIN	CUSCINETTO PIATO
48	697-45551-00	REC697-45551-00	PIÑÓN	PINION	PIGNONE
49	90170-12138	REC90170-12138	TUERCA	NUT	DADO
50	697-45560-00	REC697-45560-00	ENGRANAJE COMPLETO	GEAR	INGRANAGGIO
51	697-45611-00	REC697-45611-00	EJE PROPULSOR	SHAFT PROPELLER	ASSE
52	90501-16233	REC90501-16233	RESORTE DE COMPRESIÓN	SPRING	MOLLA
53	663-45634-00	REC663-45634-00	DESLIZADOR CAMBIO	SLIDE, SHIFT	SCORREVOLE
54	663-45631-01	REC663-45631-00	EMBRAGUE DE GARRA	CLUTCH, DOG	GIUNTO A DENTI FRONTALE
55	90250-06023	REC90250-06023	PASADOR CILÍNDRICO	PIN, STRAIGHT	SPINOTTO
56	663-45633-00	REC663-45633-00	ANILLO DE PASADOR	RING, CROSS PIN	O-RING
57	688-45635-00	REC688-45635-00	PLUNGER, SHIFT	ÉMBOLO DE CAMBIO	CAMBIO PISTONE
58	90201-22429	REC90201-22429	ARANDELA PLANA	WASHER, PLATE	RONDELLA
59	697-45571-00	REC697-45571-00	ENGRANAJE	GEAR	INGRANAGGIO
60	663-44144-01	REC663-44144-01	VARILLA DE CAMBIO	ROD, SHIFT	ASTICELLA
61	99001-08600		PRESILLA REDONDA	CIRCLIP	CIRCLIP
62	663-44151-00	REC663-44151-00	LEVA DE CAMBIO	CAM SHIFT	ALBERO
63	97075-10040	REC97075-10040	PERNO	BOLT	PERNO
64	679-45371-00	TEN01101	QUILLA ESTABILIZADOR	TAB-TRIM	TAB-TRIM
65	663-45987-02	REC663-45987-00	ESPACIADOR	SPACER	DISTANZIALE
66	670-45997-02	REC670-45997-00	ESPACIADOR	SPACER	DISTANZIALE
67	92990-16200	GLM21225	ARANDELA PLANA	WASHER, PLAIN	RONDELLA
68	90171-16011	REC90171-16011	TUERCA ENTALLADA	NUT, CASTLE	DADO
69	91490-40025	REC91490-40025	CHAVETA	PIN, COTTER	CHIAVETTA



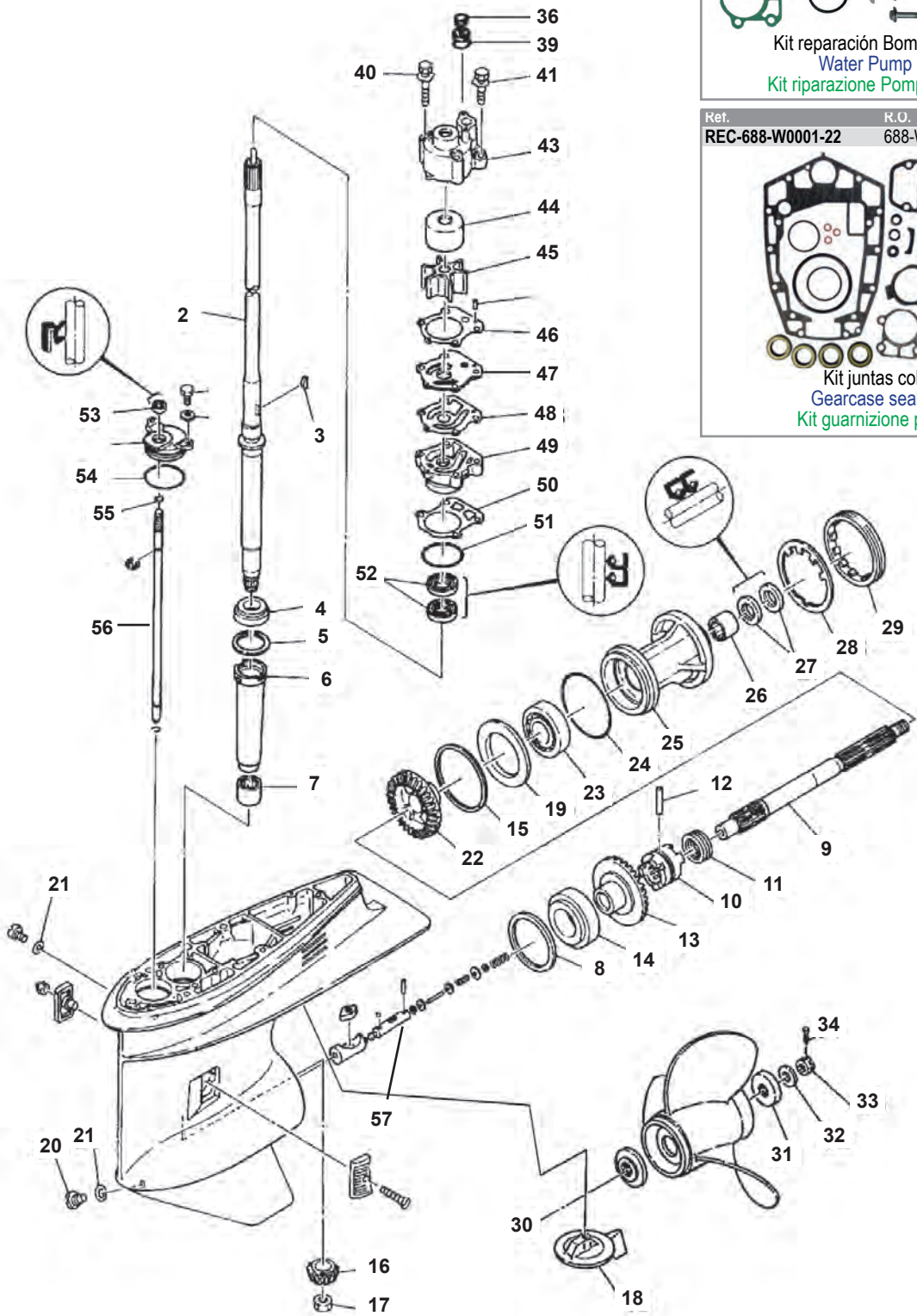
Ref.	R.O.
REC692-W0078-02	692-W0078-02

Kit reparación Bomba agua
Water Pump kit
Kit riparazione Pompa acqua

Ref.	R.O.
REC688-W0001-22	688-W0001-22

Kit juntas cola
Gearcase seal kit
Kit guarnizione piede

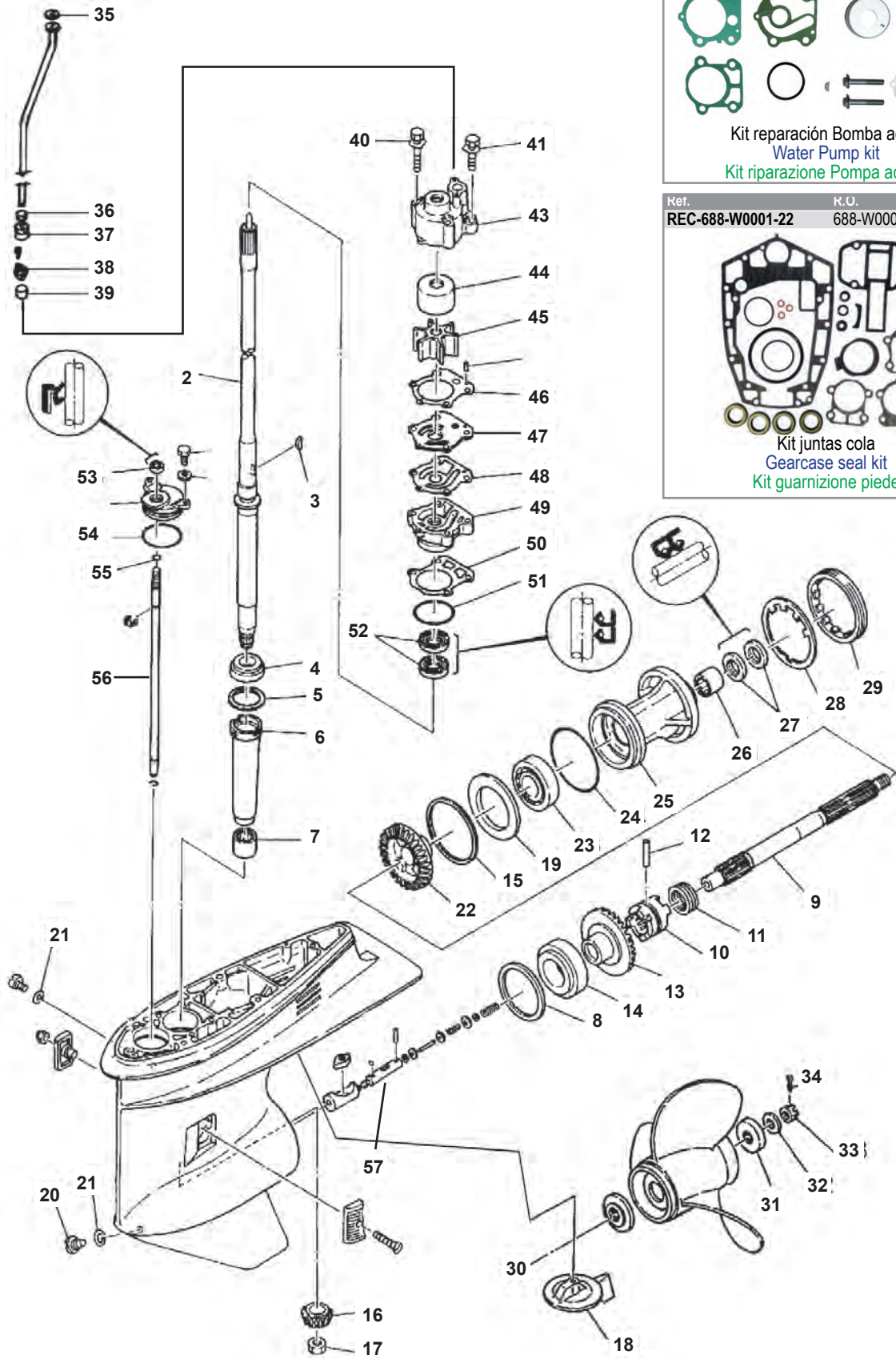
Nº	R.O. / OEM	Ref.	Descripción	Description	Descrizione
1	692-45300-14-4D		COLA COMPLETA	LOWER UNIT ASSY	PIEDE COMPLETO
	692-45300-24-4D		COLA COMPLETA	LOWER UNIT ASSY	PIEDE COMPLETO
2	688-45311-06-4D		CARTER	CASING, LOWER	CARTER
3	93315-325V1	REC93315-325V1	RODAMIENTO	BEARING	CUSCINETTO
4	90430-12072	REC90430-12072	JUNTA	GASKET	GUARNIZIONE
5	663-44366-00	REC663-44366-00	CASQUILLO GOMA	DAMPER, WATER SEAL	BOCCOLA GOMMA
6	93332-000U3	REC93332-000U3	RODAMIENTO	BEARING	CUSCINETTO
7	93606-12019	PAF15-0000006	PASADOR	PIN, DOWEL	SPINOTTO
8	93332-000W7	REC93332-000W7	RODAMIENTO	BEARING	CUSCINETTO
9	90340-08002	REC 90340-08002	TAPÓN	PLUG STRAIGHT SCREW	TAPPO
10	688-45341-10	REC688-45341-00	TAPÓN	PLUG DRAIN	TAPPO
11	90430-08020	REC90430-08020	JUNTA	GASKET	GUARNIZIONE
12	688-45987-01	REC688-45987-00	SEPARADOR	SPACER	DISTANZIALE
13	67F-45997-00	GLM22178	SEPARADOR	SPACER	DISTANZIALE
14	90389-25M00	GLM21223	CASQUILLO	BUSH	BOCCOLA
15	90171-16011	REC90171-16011	TUERCA	NUT, CASTLE	DADO
16	91490-40025	REC91490-40025	PASADOR ALETAS	PIN, COTTER	SPINOTTO
17	93210-49046	REC93210-49046	ARO TÓRICO	O-RING	O-RING
18	93106-09014	REC93106-09014	RETÉN	OIL SEAL	PARAOLIO
19	97095-06016		TORNILLO	BOLT	VITE
20	92995-06600		ARANDELA	WASHER	RONDELLA
21	688-44311-01	REC688-44311-01	CUERPO BOMBA AGUA	HOUSING, WATER PUMP	CORPO POMPA ACQUA
22	688-44322-00	REC688-44322-00	CASQUILLO INOX.	INSERT, CARTRIDGE	BOCCOLA INOX.
	688-44322-41		CASQUILLO INOX.	INSERT, CARTRIDGE	BOCCOLA INOX.
23	688-44321-41		ARANDELA	INNER PLATE, CARTRIDGE	RONDELLA
24	688-44315-A0	REC688-44315-00	JUNTA	GASKET, WATER PUMP	GUARNIZIONE
25	688-44352-03	REC688-44352-03	TURBINA	IMPELLER	GIRANTE
26	90280-04M04	REC90280-04M04	CHAVETA	KEY, WOODRUFF	CHIAVETTA
27	688-44341-01-94	REC688-44341-01	TAPA INF. BOMBA AGUA	HOUSING, WATER PUMP	CORPO INF. POMPA ACQUA
28	93101-25M03	REC93101-25M03	RETÉN	OIL SEAL	PARAOLIO
29	93210-46044	REC93210-46044	ARO TÓRICO	O-RING	O-RING
30	688-44316-A0	REC688-44316-00	JUNTA	GASKET WATER PUMP	GUARNIZIONE
	688-44323-00	REC688-44323-00	PLATO	OUTTER PLATE, CARTRIDGE	PIASTRA
31	688-44323-40		PLATO	OUTTER PLATE, CARTRIDGE	PIASTRA
32	688-44324-A0	REC688-44324-00	JUNTA	GASKET, CARTRIDGE	GUARNIZIONE
33	93604-10M03	PAF25-04000007	CENTRADOR	PIN, DOWEL	SPINOTTO
34	97075-10040	REC97075-10040	TORNILLO	BOLT WITH WASHER	VITE
35	90119-08M13	REC90119-08M13	TORNILLO	BOLT WITH WASHER	VITE
	688-45501-11	REC688-45501-11	EJE VERTICAL	DRIVE SHAFT COMP.	ASSE VERTICALE
36	688-45501-22		EJE VERTICAL	DRIVE SHAFT COMP.	ASSE VERTICALE
37	688-45551-01	REC688-45551-00	ENGRANAJE	PINION	PIGNONE
38	90170-16M01	REC90170-16M01	TUERCA	NUT	DADO
39	688-45560-00	REC688-45560-00	ENGRANAJE	PINION	PIGNONE
40	688-45611-00	REC688-45611-00	EJE HÉLICE	SHAFT, PROPELLER	ASSE ELICA
41	90501-16233	REC90501-16233	MUELLE	SPRING, COMPRESSION	MOLLA
42	688-45634-00	REC688-45634-00	EMPUJADOR	SLIDE, SHIFT	SCORREVOLE
43	688-45631-01	REC688-45631-00	DESPLAZABLE	CLUTCH, DOG	GIUNTO A DENTI FRONTALE
44	90250-07M02	REC90250-07M02	PASADOR	PIN, STRAIGHT	SPINOTTO
45	688-45633-00	REC688-45633-00	ARO METÁLICO	RING, CROSS PIN	O-RING
46	688-45635-00	REC688-45635-00	BULÓN	PLUNGER, SHIFT	BULLONE
47	688-45571-01	REC688-45570-00	ENGRANAJE	PINION	PIGNONE
48	688-45331-00-94	REC688-45331-00-94	DIÁBOLO	HOUSING, BEARING	COP. CASSA INGRANAGGI
49	93306-207U0	REC93306-207U0	RODAMIENTO	BEARING	CUSCINETTO
50	6E5-45371-10	CM6E5-45311-10	ÁNODO TIMONCETE HÉLICE INOX.	TAB-TRIM	ANODO
51	688-45371-02	CM688-45371-02	ÁNODO TIMONCETE STD.	TAB-TRIM	ANODO
52	93210-85M97	REC93210-85M97	ARO TÓRICO	O-RING	O-RING
53	93317-325U0	REC93317-325U0	RODAMIENTO	BEARING	CUSCINETTO
54	93101-25M03	REC93101-25M03	RETÉN	OIL SEAL	PARAOLIO
55	688-45383-02	REC688-45383-01	ARANDELA CIERRE	WASHER, CLAW	RONDELLA CHIUSURA
56	688-45384-00	REC688-45384-00	TUERCA	NUT	DADO
57	90282-04010	REC90282-04010	CHAVETA	KEY, STRAIGHT	CHIAVETTA
58	663-44151-00	REC663-44151-00	LEVA	CAM, SHIFT	LEVA
59	663-44144-01	REC663-44144-01	EJE SELECTOR	ROD, SHIFT	ASSE SELETTORE
60	99001-08600	REC99001-08600	CERCLIP	CIRCLIP	CIRCLIP



Ref.	R.O.
GLM12282	692-W0078-(00/01)-00
Kit reparación Bomba agua Water Pump kit Kit riparazione Pompa acqua	

Ref.	R.O.
REC-688-W0001-22	688-W0001-20-00
Kit juntas cola Gearcase seal kit Kit guarnizione piede	

Nº	R.O. / OEM	Ref.	Descripción	Description	Descrizione
1	6H1-45301-04-EK		CARCASA	GEARCASE	CARCASA
2	6H1-45501-11-00		EJE	SHAFT	ASSE
3	90280-04M04-00	REC90280-04M04	CHAVETA	KEY	CHIAVETTA
4	93332-000U3-00	REC93332-000U3	RODAMIENTO	BEARING	CUSCINETTO
6	688-45536-01-00		CAMISA	SLEEVE	CAMICIA
7	93315-325V1-00	REC93315-325V1	RODAMIENTO	BEARING	CUSCINETTO
9	6H1-45611-01-00	REC6H1-45611-00	EJE HÉLICE	PROPELLER SHAFT	ASSE ELICA
10	6H1-45631-01-00	REC6H1-45631-01	SELECTOR	CLUTCH	SELETTORE
11	688-45633-00-00	REC688-45633-00	MUELLE	SPRING	MOLLA
12	90250-07M02-00	REC90250-07M02	PASADOR	PIN	SPINOTTO
13	688-45560-00-00	REC688-45560-00	ENGRANAJE	GEAR	INGRANAGGIO
14	93332-000W7-00	REC93332-000W7	RODAMIENTO	BEARING	CUSCINETTO
16	688-45551-01-00	REC688-45551-00	PIÑÓN	GEAR	PIGNONE
17	90170-16M01-00	REC90170-16M01	TUERCA	NUT	DADO
18	688-45371-02-00	CM688-45371-02	ÁNODO	ANODE	ANODO
19	688-45576-00-00	REC688-45576-00	ARANDELA	WASHER	RONDELLA
20	688-45341-00-00	REC688-45341-00	TAPÓN	PLUG	TAPPO
21	90430-08020-00	REC90430-08020	JUNTA	GASKET	GUARNIZIONE
22	6H1-45571-00-00		PIÑÓN MARCHA ATRÁS	GEAR R.V.	PIGNONE MARCIA IND.
23	93306-207U0-00	REC93306-207U0	RODAMIENTO	BEARING	CUSCINETTO
24	93210-85M97-00	REC93210-85M97	ARO TÓRICO	O-RING	O-RING
25	688-45331-00-94	REC688-45331-00-94	RODAMIENTO	BEARING	CUSCINETTO
26	93317-325U0-00	REC93317-325U0	RODAMIENTO	BEARING	CUSCINETTO
27	93101-25M03-00	REC93101-25M03	RETÉN	OIL SEAL	PARAOLIO
28	688-45383-02-00	REC688-45383-01	ARANDELA	WASHER	RONDELLA
29	688-45384-00-00	REC688-45384-00	TUERCA	NUT	DADO
30	688-45987-01-00	REC688-45987-00	ESPACIADOR	SPACER	DISTANZIALE
31	688-45997-01-00	REC688-45997-00	ESPACIADOR	SPACER	DISTANZIALE
32	90201-17M00-00	REC90201-17M00	ARANDELA	WASHER	RONDELLA
33	90171-16011-00	REC90171-16011	TUERCA	NUT	DADO
34	91490-40030-00	REC91490-40030	PASADOR	PIN	SPINOTTO
35	90202-12060-00		ARANDELA	WASHER	RONDELLA
36	90430-12072-00	REC90430-12072	JUNTA	GASKET	GUARNIZIONE
37	663-44367-00-00		CASQUILLO	DAMPER	BOCCOLA
38	90480-19M06-00		RETÉN	SEAL	PARAOLIO
39	663-44366-00	REC663-44366-00	RETÉN	SEAL	PARAOLIO
40	97395-08070-00	REC97395-08070	TORNILLO	BOLT	VITE
41	97395-08050-00		TORNILLO	BOLT	VITE
42	90209-08M02-00		ARANDELA	WASHER	RONDELLA
43	688-44311-01-00	REC688-44311-01	CUERPO BOMBA AGUA	HOUSING	CORPO POMPA ACQUA
44	688-44322-00-00	REC688-44322-00	ACOPAMIENTO INOX.	INSERT	BOCCOLA INOX.
45	688-44352-03-00	REC688-44352-03-00	TURBINA	IMPELLER	GIRANTE
46	688-44315-A0-00	REC688-44315-00	JUNTA	GASKET	GUARNIZIONE
47	688-44323-00-00	REC688-44323-00-00	PLATO	PLATE	PIASTRA
48	688-44324-A0-00	REC688-44324-00	JUNTA	GASKET	GUARNIZIONE
49	688-44341-01-94	REC688-44341-01	BASE, BOMBA AGUA	HOUSING WATER PUMP	BASE POMPA ACQUA
50	688-44316-A0-00	REC688-44316-00	JUNTA, BASE	GASKET	GUARNIZIONE
51	93210-46044-00	REC93210-46044	ANILLO, BASE	O-RING	O-RING
52	93101-25M03-00	REC93101-25M03	RETÉN	OIL SEAL	PARAOLIO
53	93106-09014-00	REC93106-09014	RETÉN	OIL SEAL	PARAOLIO
54	93210-49046-00	REC93210-49046	ANILLO	O-RING	O-RING
55	93210-07540-00		ANILLO	O-RING	O-RING
56	6H1-44144-00	REC6H1-44144-00	VARILLA CAMBIO	SHIFT ROD	ASSE SELETTORE
57	6H1-45634-02	REC6H1-45634-02	DESPLAZABLE	SLIDE, SHIFT	SCORREVOLE



Ref.	R.O.
GLM12282	692-W0078-(00/01)-00



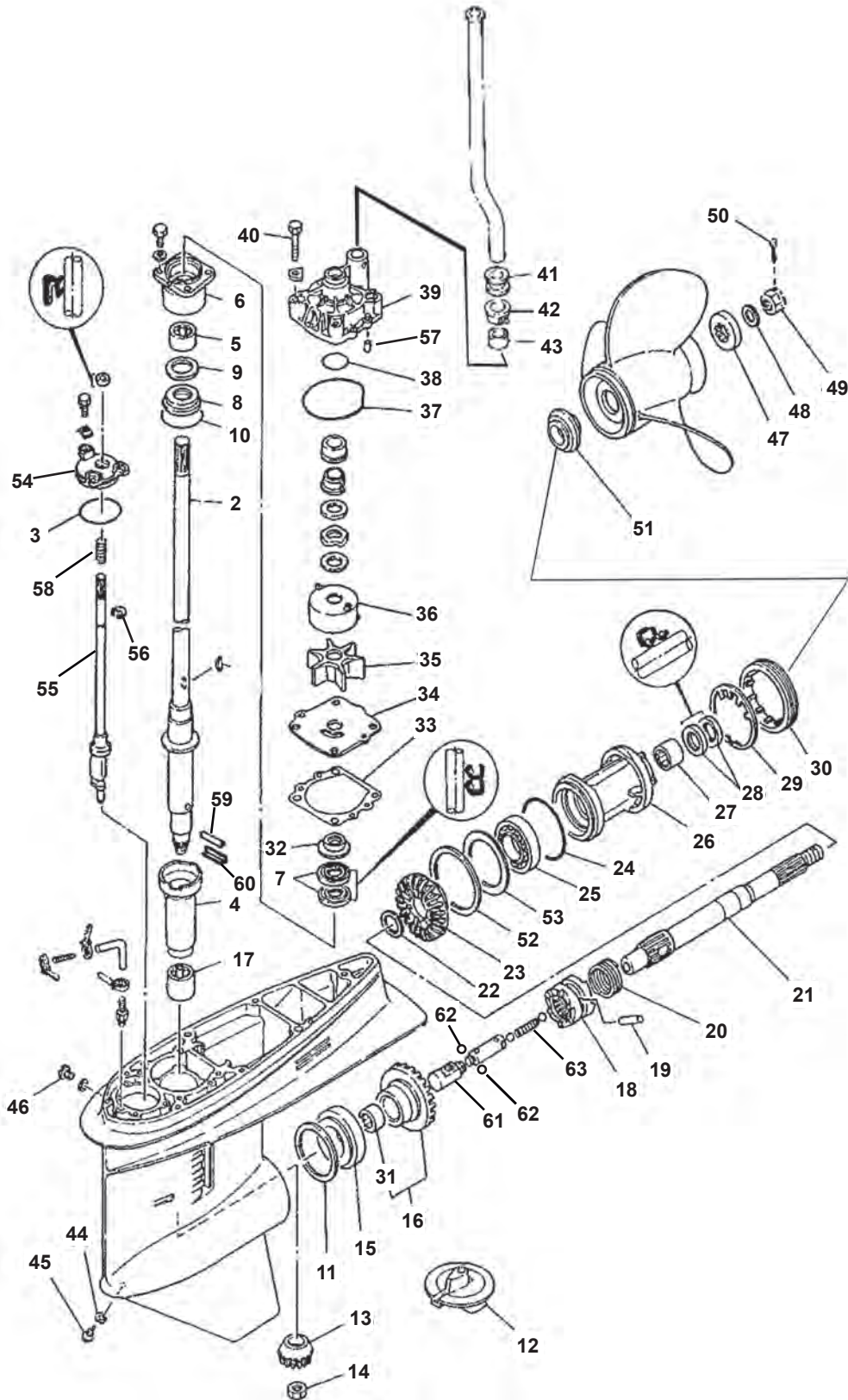
Kit reparación Bomba agua
Water Pump kit
Kit riparazione Pompa acqua

Ref.	R.O.
REC-688-W0001-22	688-W0001-20-00



Kit juntas cola
Gearcase seal kit
Kit guarnizione piede

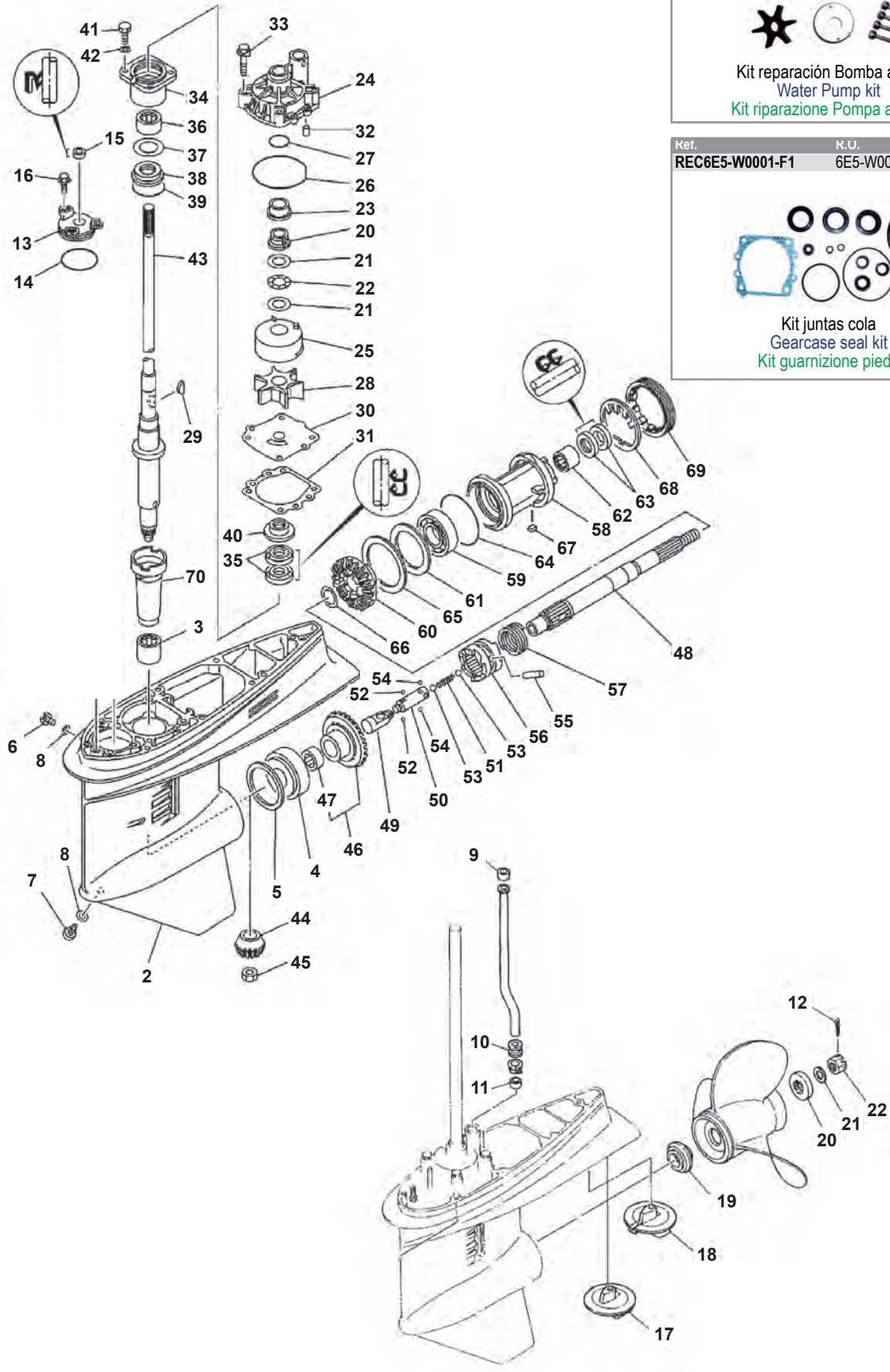
Nº	R.O. / OEM	Ref.	Descripción	Description	Descrizione
1	6H1-45301-04-EK		CARCASA	GEAR CASE	CARCASSA
2	6H1-45501-11-00		EJE	SHAFT	ASSE
3	90280-04M04	REC90280-04M04	CHAVETA	KEY	CHIAVETTA
4	93332-000U3	REC93332-000U3	COJINETE	BEARING	CUSCINETTO
6	688-45536-01		CAMISA	SLEEVE	CAMICIA
7	93315-325V1	REC93315-325V1	COJINETE	BEARING	CUSCINETTO
9	6H1-45611-01	REC6H1-45611-00	EJE HÉLICE	PROPELLER SAHFT	ASSE ELICA
10	6H1-45631-01	REC6H1-45631-01	SELECTOR	CLUTCH	SELETTORE
11	688-45633-00	REC688-45633-00	MUELLES	SPRING	MOLLA
12	90250-07M02	REC93250-07M02	PASADOR	PIN	SPINOTTO
13	688-45560-00	REC688-45560-00	PIÑÓN	GEAR	PIGNONE
14	93332-000W7	REC93332-000W7	COJINETE	BEARING	CUSCINETTO
16	688-45551-01	REC688-45551-00	PIÑÓN	GEAR	PIGNONE
17	90170-16M01	REC90170-16M01	TUERCA	NUT	DADO
18	688-45371-02	CM688-45371-02	ÁNODO	ANODE	ANODO
21	90430-08020	REC90430-08020	JUNTA	GASKET	GUARNIZIONE
22	6H1-45571-00		PIÑÓN M.A.	GEAR R.V.	PIGNONE MARCIA IND.
23	93306-207U0	REC93306-207U0	COJINETE	BEARING	CUSCINETTO
24	93210-85M97	REC93210-85M97	ARO	O-RING	O-RING
25	688-45331-00-94	REC688-45331-00-94	COJINETE	BEARING	CUSCINETTO
26	93317-325U0	REC93317-325U0	COJINETE AGUJA	BEARING	CUSCINETTO
27	93101-25M03	REC93101-25M03	RETÉN ACEITE	OIL SEAL	PARAOLIO
28	688-45383-02	REC688-45383-01	ARANDELA	WASHER	RONDELLA
29	688-45384-00	REC688-45384-00	TUERCA TAPA	NUT	DADO
30	688-45987-01	REC688-45987-00	ESPACIADOR	SPACER	DESPAZIALE
31	688-45997-01	REC688-45997-00	ESPACIADOR	SPACER	DESPAZIALE
32	90201-17M00	REC90201-17M00	ARANDELA	WASHER	RONDELLA
33	90171-16011	REC90171-16011	TUERCA	NUT	DADO
34	91490-40030	REC91490-40030	PASADOR	PIN	SPINOTTO
35	90202-12060		ARANDELA	WASHER	RONDELLA
36	90430-12072	REC90430-12072	JUNTA	GASKET	GUARNIZIONE
37	663-44367-00		FLECTOR	DAMPER	AMMORTIZZATORE
38	90480-19M06		GRUESO	SEAL	SPESSORE
39	663-44366-00	REC663-44366-00	FLECTOR RETÉN AGUA	SEAL	TENUTA
40	97395-08070	REC97395-08070	TORNILLO	BOLT	VITE
41	97395-08050		TORNILLO	BOLT	VITE
42	90209-08M02		ARANDELA	WASHER	RONDELLA
43	688-44311-01	REC688-44311-01	CUERPO BOMBA AGUA	HOUSTING	CORPO POMPA ACQUA
44	688-44322-00	REC688-44322-00	ACOPLE INOX.	INSERT	ACCOPPIAMENTO INOX.
45	688-44352-03	REC688-44352-03	IMPULSOR	IMPELLER	GIRANTE
46	688-44315-A0	REC688-44315-00	JUNTA	GASKET	GUARNIZIONE
47	688-44323-00	REC688-44323-00	TAPA BOMBA	PLATE	PIASTRA
48	688-44324-A0	REC688-44324-A0	JUNTA	GASKET	GUARNIZIONE
49	688-44341-01-94	REC688-44341-01	BASE, BOMBA AGUA	HOUSING	BASE POMPA ACQUA
50	688-44316-A0	REC688-44316-00	JUNTA, BASE	GASKET	GUARNIZIONE
51	93210-46044	REC93210-46044	ARO, BASE	O-RING	O-RING
52	93101-25M03	REC93101-25M03	RETÉN ACEITE	OIL SEAL	PARAOLIO
53	93106-09014	REC93106-09014	RETÉN ACEITE	OIL SEAL	PARAOLIO
54	93210-49046	REC93210-49046	ARO	O-RING	O-RING
55	93210-07540		ARO	O-RING	O-RING
56	6H1-44144-00	REC6H1-44144-00	VARILLA CAMBIO	SHIFT ROD	ASSE SELETTORE
57	6H1-45634-02	REC6H1-45634-02	DESPLAZABLE	SLIDE SHIFT	SCORREVOLE



Ref.	R.O.
REC6N6-W0078-02	6E5-W0078-01-00
Kit reparación Bomba agua Water Pump kit Kit riparazione Pompa acqua	

Ref.	R.O.
REC6E5-W0001-F1	6E5-W0001-51-00
Kit juntas cola Gearcase seal kit Kit guarnizione piede	

Nº	R.O. / OEM	Ref.	Descripción	Description	Descrizione
1	6E5-45301-03EK		CARCASA	GEAR CASE	CARCASSA
2	6E5-45501-01	REC6E5-45501-01	EJE (LARGO)	SHAFT	ASSE LUNGO
	6E5-45501-21	REC6E5-45501-21	EJE (X-LARGO)	SHAFT	ASSE X-LUNGO
3	93210-58677	REC93210-58677	ARO	O-RING	O-RING
4	6E5-45536-00	REC6E5-45536-00	CAMISA	SLEEVE	CAMICIA, ASSE
5	93315-430V5	REC93315-430V5	COJINETE	BEARING	CUSCINETTO
6	6E5-45331-0094	REC6E5-45331-00-94	COJINETE	BEARING	CUSCINETTO
7	93101-28M16	REC93101-28M16	RETÉN EJE	OIL SEAL	PARAOLIO
9	93341-930U0	REC93341-930U0	COJINETE	BEARING	CUSCINETTO
10	93210-54534	REC93210-54534	ARO	O-RING	O-RING
12	6E5-45371-01	CM6E5-45371-01	ÁNODO	ANODE	ANODO
13	6E5-45551-02	REC6E5-45551-00	PIÑÓN	GEAR	PIGNONE
14	90170-16M01	REC90170-16M01	TUERCA	NUT	DADO
15	93332-000U7	REC93332-000U7	COJINETE	BEARING	CUSCINETTO
16	6E5-45560-01	REC6E5-45560-00	PIÑÓN	GEAR	PIGNONE
17	93315-628U9	REC93315-628U9	COJINETE	BEARING	CUSCINETTO
18	6R5-45631-01	REC6E5-45631-00	SELECTOR	CLUTCH	SELETTORE
19	90250-08M07	REC90250-08M07	PASADOR	PIN	SPINOTTO
20	6E5-45633-01	REC6E5-45633-01	RETENEDOR	SPRING	MOLLA
21	6E5-45611-01	REC6E5-45611-00	EJE HÉLICE	PROPELLER SHAFT	ASSE ELICA
22	90201-30M92	REC90201-30M92	ARANDELA	WASHER	RONDELLA
23	6E5-45571-04	REC6E5-45570-00	PIÑÓN M.A	GEAR R.V.	PIGNONE MARCIA IND.
24	93210-86M39	REC93210-86M39	ARO	O-RING	O-RING
25	93306-208U0	REC93306-208U0	COJINETE, MARCHA ATRÁS	BEARING	CUSCINETTO
26	6E5-45332-00-94	REC6E5-45331-00-94	DIÁBOLO	GEAR HOUSING	COP. CASSA INGRANAGGI
27	93315-430U8	REC93315-430U8	COJINETE AGUJAS	BEARING	CUSCINETTO
28	93101-30M17	REC93101-30M17	RETÉN, EJE HÉLICES	OIL SEAL	PARAOLIO
29	688-45383-02	REC688-45383-01	ARANDELA	WASHER	RONDELLA
30	688-45384-00	REC688-45384-00	TUERCA	NUT	DADO
31	93315-425U7	REC93315-425U7	COJINETE	BEARING	CUSCINETTO
32	6E5-45344-00	REC6E5-45344-00	TAPA RETÉN ACEITE	COVER	COPERCHIO
33	6E5-44315-A0	REC6E5-44315-A0	JUNTA, BOMBA AGUA	GASKET	GUARNIZIONE
34	6E5-44323-00	REC6E5-44323-00-40	TAPA BOMBA AGUA	COVER	COPERCHIO POMPA ACQUA
35	6E5-44352-00	REC6E5-44352-01	IMPULSOR	IMPELLER	GIRANTE
36	6E5-44322-00	REC6E5-44322-00	ACOPLE INOX.	INSERT	ACCOPIAMENTO INOX.
37	93210-86M38	REC93210-86M38	ARO, BOMBA AGUA	O-RING	O-RING
38	93210-37M67	REC93210-37M67	ARO, BOMBA AGUA	O-RING	O-RING
39	6E5-44311-00	REC 6E5-44311-00	CUERPO BOMBA AGUA	HOUSING	CORPO POMPA ACQUA
40	97080-08045	REC97080-08045	TORNILLO	BOLT	VITE
41	6E5-44366-00	GLM38301	FLECTOR RETÉN AGUA	DAMPER	AMMORTIZZATORE
42	6E5-44312-00	REC6E5-44312-00	TAPA BOMBA AGUA	COVER	COPERCHIO POMPA ACQUA
43	6E5-44365-00	GLM38300	FLECTOR RETÉN AGUA	DAMPER	CURVA
44	90430-08020	REC90430-08020	JUNTA	GASKET	GUARNIZIONE
45	688-45341-00	REC688-45341-00	TAPÓN DRENAJE	PLUG	TAPPO
46	90340-08M04	REC90340-08014	TAPÓN DRENAJE	PLUG	TAPPO
47	688-45997-01	REC688-45997-00	ESPACIADOR	SPACER	DISTANZIALE
48	92990-18200	GLM21221	ARANDELA	WASHER	RONDELLA
49	90171-18M04	REC90171-18M04	TUERCA	NUT	DADO
50	91490-40030	REC91490-40030	PASADOR	PIN	SPINOTTO
51	6E5-45987-01	REC6E5-45987-00	ARANDELA	WASHER	RONDELLA
53	6E5-45576-00	REC6E5-45576-00	ARANDELA	WASHER	RONDELLA
54	6E5-45321-00	REC6E5-45321-00	TAPA CAMBIO	PLATE	PIASTRA
55	6E5-44150-02	REC6E5-44150-02	EJE	SHIFT	ASSE
56	99001-08600	REC99001-08600	CLIP	CLIP	CLIP
57	93606-12019	REC93606-12019	PASADOR	PIN	SPINOTTO
58	90501-11M10	REC90501-11M10	MUELLE	SPRING	MOLLA
59	688-45375-00	REC688-45375-00	SELLO GOMA	RUBBER	GUARNIZIONE
60	663-45376-0094	REC663-45376-00	SELLO GOMA	RUBBER	GUARNIZIONE
61	6E5-45641-03	REC6E5-45641-03	DESGLIZADOR	SLIPPER	SCORREVOLE
62	93507-32031	REC93507-32031	BOLA	BALL	BOLLA
63	90501-13M37	REC90501-13M37	MUELLE	SPRING	MOLLA



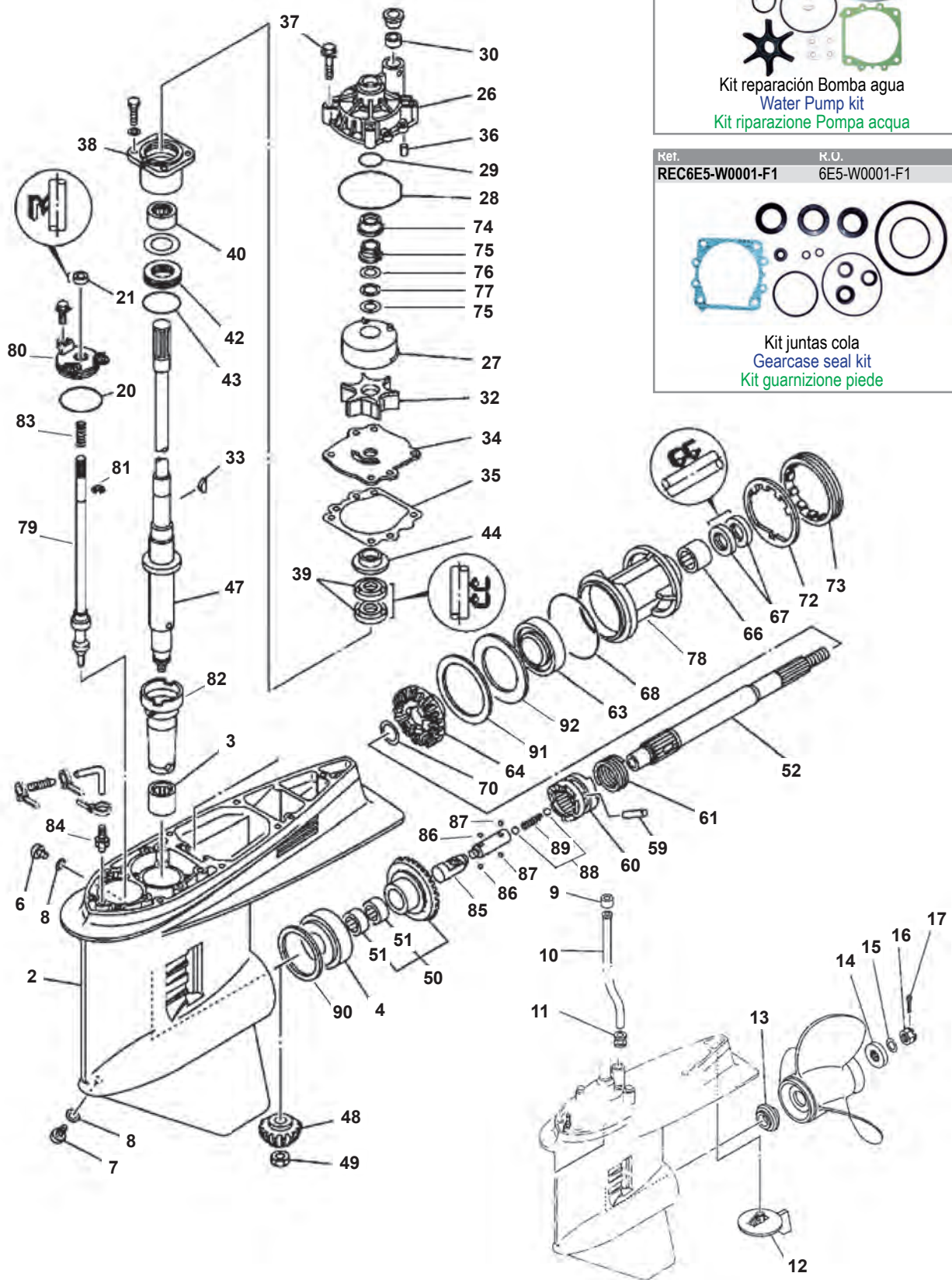
Ref.	R.O.
REC6N6-W0078-02	6N6-W0078-02

Kit reparación Bomba agua
Water Pump kit
Kit riparazione Pompa acqua

Ref.	R.O.
REC6E5-W0001-F1	6E5-W0001-F1

Kit juntas cola
Gearcase seal kit
Kit guarnizione piede

Nº	R.O. / OEM	Ref.	Descripción	Description	Descrizione
1	6E5-45300-16-8D	REC405-A20	COLA COMPLETA	LOWER UNIT ASSY	PIEDE COMPLETO
	6E5-45300-26-8D	REC405-A25	COLA COMPLETA	LOWER UNIT ASSY	PIEDE COMPLETO
2	6E5-45301-04-8D		CARTER	CASING, LOWER	CARTER
3	93315-628U9	REC93315-628U9	RODAMIENTO	BEARING	CUSCINETTO
4	93332-000U7	REC93332-000U7	RODAMIENTO	BEARING	CUSCINETTO
5	6E5-45567-01-60	REC-6E5-45567-01	GRUESO	SHIM	SPESSORE
6	90340-08M04	REC90340-08014	TAPÓN	PLUG, STRAIGHT SCREW	TAPPO
7	688-45341-00	REC688-45341-00	TAPÓN	PLUG DRAIN	TAPPO
8	90430-08020	REC90430-05020	JUNTA	GASKET	GUARNIZIONE
9	6E5-44365-00	GLM38300	CASQUILLO GOMA	DAMPER	BOCCOLA
10	6E5-44366-00	GLM38301	CASQUILLO GOMA	DAMPER	BOCCOLA
11	6E5-44365-00	GLM38300	CASQUILLO GOMA	DAMPER	BOCCOLA
12	91490-40030	REC91490-40030	PASADOR ALETA	PIN, COTTER	SPINOTTO
13	6E5-45321-00	REC6E5-45321-00	PLATO	PLATE	PIASTRA
14	93210-58144	REC93210-58677	ARO TÓRICO	O-RING	O-RING
15	93106-09014	REC93106-09014	RETÉN	OIL SEAL	PARAOLIO
16	90119-06M10	REC90119-06M10	TORNILLO	BOLT WITH WASHER	VITE
17	6E5-45371-10	TEN01153	ZINC HÉLICE INOX	TAB-TRIM	ZINCO ELICA INOX.
18	6E5-45371-01	REC6E5-45371-01	ZINC HÉLICE ALU	TAB-TRIM	ZINCO ELICA ALLU.
19	6E5-45987-01	REC6E5-45987-00	SEPARADOR	SPACER	SPESSORE
20	688-45997-01	REC688-45997-00	SEPARADOR	SPACER	SPESSORE
21	92990-18200	GLM21221	ARANDELA	WASHER	RONDELLA
22	90171-18M04	REC90171-18M04	TUERCA HÉLICE	NUT, CASTLE	DADO
23	61A-45527-00	REC61A-45527-00	CASQUILLO	COLLAR, DRIVE SHAFT	BOCCOLA
24	61A-44311-01	REC61A-44311-00	CUERPO BOMBA	HOUSING, WATER PUMP	CORPO POMPA
25	61A-44322-02	REC61A-44322-02	CASQUILLO INOX	INSERT, CARTRIDGE	BOCCOLA INOX.
26	93210-86M38	REC93210-86M38	ARO TÓRICO	O-RING	O-RING
27	93210-37160	REC93210-37160	ARO TÓRICO	O-RING	O-RING
28	6E5-44352-01	REC6E5-44352-01	TURBINA	IMPELLER	GIRANTE
29	90280-04M05	REC90280-04M05	CHAVETA	KEY, WOODRUF	CHIAVETTA
30	6E5-44323-00	REC6E5-44323-00-40	PLATO	OUTTER PLATE, CARTRIDGE	PIASTRA
31	6E5-44315-A0	REC6E5-44315-A0	JUNTA BOMBA	GASKET, WATER PUMP	GUARNIZIONE
32	93606-12019	REC93606-12019	PIN CENTRADOR	PIN DOWEL	SPINOTTO
33	90119-08M14	REC90119-08M14	TORNILLO	BOLT, WITH WASHER	VITE
34	6E5-45331-00-94	REC6E5-45331-00-94	CUERPO RODAMIENTO	HOUSING, BEARING	SEDE CUSCINETTO
35	93101-28M16	REC93101-28M16	RETÉN	OIL SEAL	PARAOLIO
36	93317-330U2	REC93317-330U2	RODAMIENTO	BEARING	CUSCINETTO
37	6E5-45587-01	REC6E5-45587-01	GRUESO	SHIM	SPESSORE
38	93341-930V2	REC93341-930V2	RODAMIENTO	BEARING	CUSCINETTO
39	93210-55M14	GLM84215	ARO TÓRICO	O-RING	O-RING
40	6E5-45344-00	REC6E5-45344-00	TAPA RETÉN	COVER, OIL SEAL	COPERCHIO
41	97095-08025		TORNILLO	BOLT	VITE
42	92995-08600	GLM21720	ARANDELA	WASHER	RONDELLA
43	6E5-45501-01	REC6E5-45551-01	EJE VERTICAL -CORTO-	DRIVE SHAFT COMP.	ASSE VERTICALE
43	6E5-45501-21	REC6E5-45501-21	EJE VERTICAL-LARGO-	DRIVE SHAFT COMP.	ASSE VERTICALE
44	6E5-45551-02	REC6E5-45551-00	ENGRANAJE	PINION	PIGNONE
45	90170-16M01	REC90170-16M01	TUERCA	NUT	DADO
46	6E5-45560-01	REC6E5-45560-00	ENGRANAJE	PINION	PIGNONE
47	93315-425U7	REC93315-425U7	RODAMIENTO	BEARING	CUSCINETTO
48	6E5-45611-01	REC6E5-45611-00	EJE HÉLICE	SHAFT, PROPELLER	ASSE ELICA
49	6E5-45641-02	REC6E5-45641-03	BULÓN	SHIFTER	BULLONE
50	6E5-45634-01	REC6E5-45634-01	PASADOR DESPLAZABLE	SLIDE, SHIFT	PASSANTE
51	90501-16M37	REC90501-16M37	MUELLE	SPRING, COMPRESSION	MOLLA
52	93507-32031	REC93507-32031	BOLA	BALL	BOLLA
53	93511-32027	REC93511-32027	BOLA	BALL	BOLLA
54	93503-16003	REC93503-16003	BOLA	BALL	BOLLA
55	90250-08M07	REC90250-08M07	PASADOR	PIN STRAIGHT	SPINOTTO
56	6E5-45631-01	REC6E5-45631-00	DESPLAZABLE	CLUTCH, DOG	SCORREVOLE
57	6E5-45633-01	REC6E5-45633-01	ARILLO METÁLICO	RING, CROSS PIN	O-RING
58	6E5-45332-00-94	REC6E5-45332-00-94	CUERPO COJINETE	HOUSING, BEARING	CUSCINETTO
59	93306-208U0	REC93306-208U0	RODAMIENTO	BEARING	CUSCINETTO
60	6E5-45571-01	REC6E5-45570-00	ENGRANAJE	PINION	PIGNONE
61	6E5-45576-00	REC6E5-45576-00	ARANDELA	WASHER, THURST	RONDELLA
62	93315-430U8	REC93315-430U8	RODAMIENTO	BEARING	CUSCINETTO
63	93101-30M17	REC93101-30M17	RETÉN	OIL SEAL	PARAOLIO
64	93210-86M39	REC93210-86M39	ARO TÓRICO	O-RING	O-RING
65	6L6-45577-00		GRUESO	SHIM	SPESSORE
66	90201-30M92	REC90201-30M92	ARANDELA	WASHER, PLATE	RONDELLA
67	90282-04010	REC90282-04010	CHAVETA	KEY, STRAIGHT	CHIAVETTA
68	688-45383-02	REC688-45383-01	ARANDELA	WASHER, CLAW	RONDELLA
69	688-45384-00	REC688-45384-00	TUERCA	NUT	DADO
70	6E5-45536-00	REC6E5-45536-00	CAMISA	SLEEVE	CAMICIA



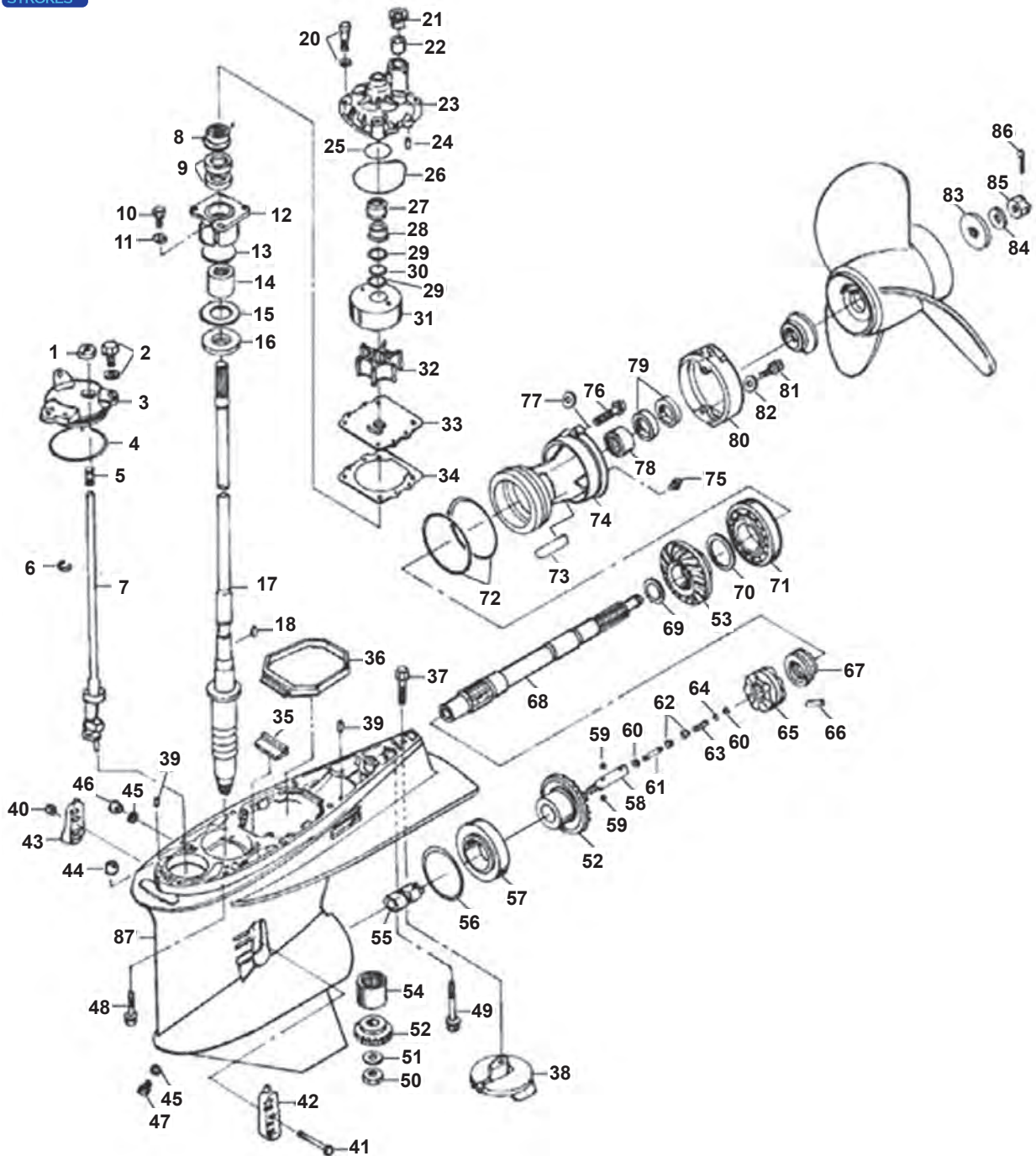
Ref.	R.O.
REC6G5-W0078-A1	6G5-W0078-A1

Kit reparación Bomba agua
Water Pump kit
Kit riparazione Pompa acqua

Ref.	R.O.
REC6E5-W0001-F1	6E5-W0001-F1

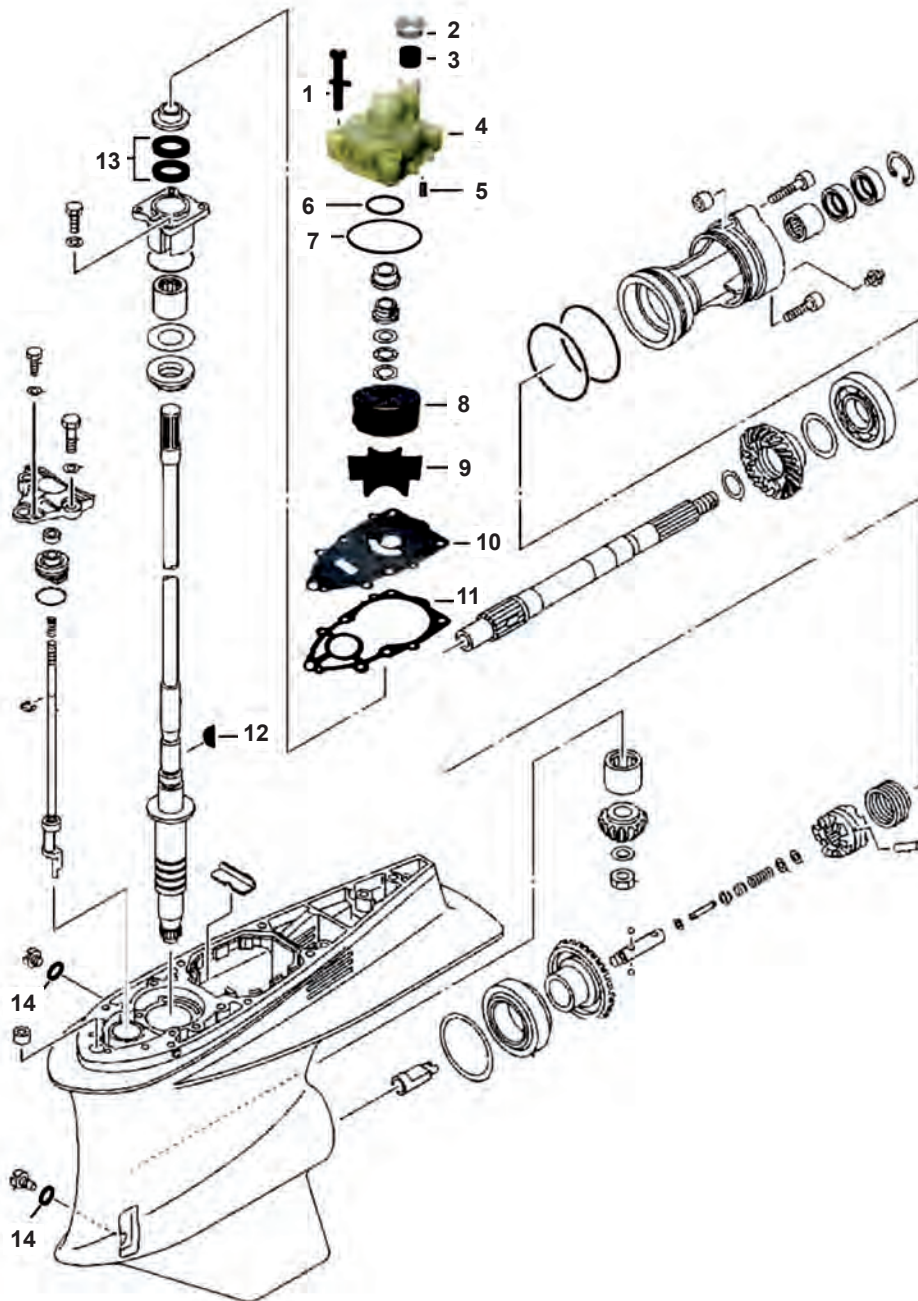
Kit juntas cola
Gearcase seal kit
Kit guarnizione piede

Nº	R.O. / OEM	Ref.	Descripción	Description	Descrizione
1	64D-45300-02-8D 64E-45300-02-8D	REC416-A20	COLA COMPLETA	LOWER UNIT ASSY 20"	PIEDE COMPLETO
	64D-45300-22-8D 64E-45300-22-8D	REC416-A25	COLA COMPLETA	LOWER UNIT ASSY 25"	PIEDE COMPLETO
2	6J9-45301-05-8D		COLA COMPLETA	LOWER UNIT ASSY	PIEDE COMPLETO
3	93311-928U5	REC93311-928U5	CARTER	CASING, LOWER	CARTER
4	93332-000V3	REC93332-000V3	RODAMIENTO	BEARING	CUSCINETTO
6	90340-08002	REC90340-08014	TAPÓN	PLUG, STRAIGHT SCREW	TAPPO
7	688-45341-10	REC688-45341-00	TAPÓN	PLUG, DRAIN	TAPPO
8	90430-08020	REC90430-08020	JUNTA	GASKET	GUARNIZIONE
9	6E5-44365-00	GLM38300	SELLO GOMA AGUA	DAMPER, WATER SEAL	BOCCOLA
11	6E5-44366-00	GLM38301	SELLO GOMA AGUA	DAMPER, WATER SEAL	BOCCOLA
12	6J9-45371-01	GLM12883	ÁNODO ESTABILIZ.	TAB-TRIM	ANODO
13	6E5-45978-01	REC6E5-45978-00	ESPACIADOR	SPACER	DISTANZIALE
14	688-45997-01	REC688-45997-00	ESPACIADOR	SPACER	DISTANZIALE
15	92990-18200	GLM21221	ARANDELA	WASHER	RONDELLA
16	90171-18M04	REC90171-18M04	TUERCA	NUT, CASTLE	DADO
17	91490-40030	REC91490-40030	PASADOR	PIN, COTTER	SPINOTTO
20	93210-58144	REC93210-58677	ARO TÓRICO	O-RING	O-RING
21	93106-09014	REC93106-09014	RETÉN	OIL SEAL	PARAOLIO
26	61A-44311-01	REC61A-44311-00	CUERPO BOMBA AGUA -ANTIGUA-	HOUSTING, WATER PUMP	CORPO POMPA ACQUA
26	6E5-44311-00	REC6E5-44311-00	CUERPO BOMBA AGUA -MODERNA-	HOUSTING, WATER PUMP	CORPO POMPA ACQUA
27	61A-44322-02	REC61A-44322-02	CASQUILLO INOX. -ANTIGUA-	INSERT, CARTRIDGE	BOCCOLA INOX.
27	6E5-44322-00	REC6E5-44322-00	CASQUILLO INOX. -MODERNA-	INSERT, CARTRIDGE	BOCCOLA INOX.
28	93210-86M38	REC93210-86M38	ARO TÓRICO	O-RING	O-RING
29	93210-37160	REC93210-37160	ARO TÓRICO	O-RING	O-RING
30	6E5-44365-00	GLM38300	CASQUILLO GOMA	DAMPER, WATER SEAL	BOCCOLA GOMMA
32	6E5-44352-01	REC6E5-44352-01	TURBINA	IMPELLER	GIRANTE
33	90280-04M05	REC90280-04M05	CHAVETA	KEY, WOODRUFF	CHIAVETTA
34	6G5-44323-00	REC6G5-44323-00	PLATO	OUTER PLATE, CARTRIDGE	PIASTRA
35	6E5-44315-A0	REC6E5-44315-A0	JUNTA	GASKET, WATER PUMP	GUARNIZIONE
36	93606-12019	REC93606-12019	CENTRADOR	PIN, DOWEL	SPINOTTO
37	90119-08M14	REC90119-08M14	TORNILLO	BOLT, WITH WASHER	VITE
38	6E5-45331-00-94	REC6E5-45331-00-94	CUERPO RODAMIENTO	HOUSING, BEARING	SEDE CUSCINETTO
39	93101-28M16	REC93101-28M16	RETÉN	OIL SEAL	PARAOLIO
40	93317-330U2	REC93317-330U2	RODAMIENTO	BEARING	CUSCINETTO
42	93341-930V2	REC93341-930V2	RODAMIENTO	BEARING	CUSCINETTO
43	93210-55M14	GLM84215	ARO TÓRICO	O-RING	O-RING
44	6E5-45344-00	REC6E5-45344-00	TAPA RETÉN	COVER, OIL SEAL	COPERCHIO
47	6G5-45501-21	REC6G5-45501-21	EJE	DRIVE SHAFT COMP. 25"	ASSE VERTICALE
48	6G5-45551-01	REC6G5-45551-00	ENGRANAJE	PINION	PIGNONE
49	93170-16M01	REC93170-16M01	TUERCA	NUT	DADO
50	6G5-45560-01	REC6G5-45560-00	ENGRANAJE	GEAR	INGRANAGGIO
51	93315-425V3	REC93315-425V3	RODAMIENTO	BEARING	CUSCINETTO
52	6J9-45611-01	REC6J9-45611-00	EJE HÉLICE	SHAFT, PROPELLER	ASSE ELICA
59	90250-08M07	REC90250-08M07	PASADOR	PIN, STRAIGHT	SPINOTTO
60	6G5-45631-00	REC6G5-45631-00	DESPLAZABLE	CLUTCH, DOG	SCORREVOLE
61	6E5-45633-01	REC6E5-45633-01	ANILLO	RING, CROSS PIN	O-RING
63	93306-209U0	REC93306-209U0	RODAMIENTO	BEARING	CUSCINETTO
64	6G5-45571-02	REC6G5-45571-00	ENGRANAJE	GEAR	INGRANAGGIO
66	93315-43061	REC93315-43061	RODAMIENTO	BEARING	CUSCINETTO
67	93101-30M17	REC93101-30M17	RETÉN	OIL SEAL	PARAOLIO
68	93210-97M55	REC93210-97M55	ARO TÓRICO	O-RING	O-RING
70	90201-30M92	REC90201-30M92	ARANDELA	WASHER, PLATE	RONDELLA
72	6G5-45383-01	REC6G5-45383-01	ARANDELA	WASHER, CLAW	RONDELLA
73	6G5-45384-00	REC6G5-45384-00	TUERCA	NUT	DADO
74	61A-45527-00	REC61A-45527-00	GOMA	COLLAR	GOMMA
75	61A-45538-00	REC61A-45538-00	ESPACIADOR	SPACER	DISTANZIALE
76	90201-22M01	REC90201-22M01	ARANDELA	WASHER	RONDELLA
77	90206-22M19	REC90206-22M19	ARANDELA	WASHER	RONDELLA
78	6J9-45332-00-CA	REC6J9-45332-00-CA	DIÁBOLO	BEARING CARRIER	COP. CASSA INGRANAGGI
79	6G5-44150-02	REC6G5-44150-02	EJE CAMBIO	SHIFT SHAFT	ASSE CAMBIO
80	6E5-45321-00	REC6E5-45321-00	TAPA EJE	SHIFT COVER	COPERCHIO ASSE
81	99001-08600	REC99001-08600	CLIP	BEARING	CUSCINETTO
82	6G5-45536-01	REC6G5-45536-01	CAMISA	LUBE SLEEVE	CAMISCIA
83	90501-11M10	REC90501-11M10	MUELLE	SPRING	MOLLA
84	6E5-45378-00	REC6E5-45378-00	EJE LEVA	SHIFTER	ASSE ALBERO
85	6E5-45641-03	REC6E5-45641-03	PITOT	PITOT	PITOT
86	93507-32031	REC93507-32031	BOLA	BALL	BOLLA
87	93503-16003	REC93503-16003	BOLA	BALL	BOLLA
88	93511-32027	REC93511-32027	BOLA	BALL	BOLLA
89	90501-16M37	REC90501-16M37	MUELLE	SPRING	MOLLA
90	6G5-45567-01	REC6G5-45567-01	GRUESO	SHIM	SPESSORE
91	6G5-45577-02	REC6G5-45577-02	GRUESO	SHIM	SPESSORE
92	6G5-45576-10	REC6G5-45576-10	GRUESO	SHIM	SPESSORE



Nº	R.O. / OEM	Ref.	Descripción	Description	Descrizione
1	93106-09014	REC93106-09014	RETÉN	SEAL, SHIFT ROD	BOCCOLA
2	90119-06M10	REC90119-06M10	TORNILLO CON ARANDELA	BOLT WITH WASHER	VITE
3	61A-45321-01	REC61A-45321-01	TAPA	SHIFT SHAFT COVER	COPERCHIO ASSE
4	93210-65752	REC93210-65752	ARO TÓRICO	O-RING	O-RING
5	90501-11M10	REC90501-11M10	MUELLE	SPRING	MOLLA
6	99001-08600	REC99001-08600	CLIP	CLIP	CLIP
7	60V-44150-00	REC60V-44150-00	EJE	SHIFT SHAFT	ASSE
8	6E5-45344-00	REC6E5-45344-00	RETÉN	COVER, DRIVE SHAFT SEALS	BOCCOLA
9	93101-28M16	REC93101-28M16	RETÉN	DRIVE SHAFT SEAL	BOCCOLA
10	97095-08025		TORNILLO	BOLT	VITE
11	92990-08600		ARANDELA	WASHER	RONDELLA
12	61A-45331-00-94	REC61A-45331-00-94	CUERPO EJE	DRIVE SHAFT BEARING HOUSING	CORPO ASSE
13	93210-54534	REC93210-54534	ARO TÓRICO	O-RING	O-RING
14	93317-330U2	REC93317-330U2	RODAMIENTO	BEARING	CUSCINETTO
15	61A-45587-00/60	REC61A-45587-00/60-0	ESPACIADOR	SHIM KIT	SPESSORE
16	93341-93020	REC93341-93020	GRUESO RODAMIENTO	THRUST BEARING	SPESSORE CUSCINETTO

Nº	R.O. / OEM	Ref.	Descripción	Description	Descrizione
17	66K-45501-00	REC66K-45501-00	EJE	DRIVE SHAFT, 20"	ASSE VERTICALE
17	61A-45501-20	REC61A-45501-20	EJE	DRIVE SHAFT, 25"	ASSE VERTICALE
17	61A-45501-30	REC61A-45501-30	EJE	DRIVE SHAFT, 30"	ASSE VERTICALE
18	90280-04M05	REC90280-04M05	CHAVETA	WOODRUFF KEY	CHIAVETTA
20	90119-08M14	REC90119-08M14	TORNILLO CON ARANDELA	BOLT WITH WASHER	VITE
21	6E5-44312-00	REC6E5-44312-00	TAPA	OVER	TAPPO
22	6E5-44365-00	REC6E5-44365-00	CASQUILLO JUNTA	DAMPER, WATER TUBE	BOCCOLA TUBO
23	61A-44311-00	REC61A-44311-00	CUERPO BOMBA AGUA	WATER PUMP HOUSING	CORPO POMPAACQUA
24	93606-12019	REC93606-12019	PASADOR CENTRAL	ALIGNMENT PIN	SPINOTTO
25	93210-37M67	REC93210-37M67	ARO TÓRICO	O-RING	O-RING
26	93210-86M38	REC93210-86M38	ARO TÓRICO	O-RING	O-RING
27	61A-45527-00	REC61A-45527-00	COLLAR	COLLAR	COLLAR
28	61A-45538-00	REC61A-45538-00	ESPACIADOR	SPACER	DISTANZIALE
29	90201-22M01	REC90201-22M01	ARANDELA	WASHER	RONDELLA
30	90206-22M19	REC90206-22M19	TÓRICA	WAVE WASHER	GUARNIZIONE
31	61A-44322-02	REC61A-44322-02	CASQUILLO INOX.	WATER PUMP LINER	BOCCOLA
32	6E5-44352-01	REC6E5-44352-01	TURBINA	IMPELLER	GIRANTE
33	6G5-44323-00	REC6G5-44323-00	BASE BOMBA	WEAR PLATE	BASE POMPA
34	6E5-44315-A0	REC6E5-44315-A0	JUNTA BASE	BASE GASKET	GUARNIZIONE
35	61A-45376-00-94	REC61A-45376-00-94	GUÍA	GUIDE	GUIDE
36	69J-45375-00	REC69J-45375-00	JUNTA ESCAPE	EXHAUST DAMPER	GUARNIZIONE1
37	90105-10M00		TORNILLO	BOLT, TRIM TAB	VITE
38	61A-45371-00	REC61A-45371-00	ÁNODO TIMÓN	TRIM TAB	ANODO
39	93608-12M05	REC93608-12M05	PIN	ALIGNMENT DOWELS	SPINOTTO
40	90185-05904		TUERCA	NUT, WATER SCREEN BOLT	DADO
41	90152-05003		TORNILLO	BOLT, WATER SCREEN	VITE
42	61A-45214-10	REC61A-45214-10	FILTRO TAPA	WATER SCREEN, PORT	COPERCHIO FILTRO
43	61A-45215-10	REC61A-45215-10	FILTRO TAPA	WATER SCREEN, STARBOARD	COPERCHIO FILTRO
44	663-44366-00	REC663-44366-00	PITOT	PITOT SEAL	PITOT
45	90430-08020	REC90430-08020	JUNTA	GASKET, DRAIN PLUG	GUARNIZIONE
46	90340-08002	REC90340-08002	TORNILLO	VENT PLUG	VITE
47	688-45341-10		TORNILLO	DRAIN PLUG	VITE
48	97575-10445	REC97575-10445	TORNILLO	MOUNTING BOLT	VITE
49	90119-10M89		TORNILLO	MOUNTING BOLT	VITE
50	90170-16M19	REC90170-16M19	PIÑÓN TUERCA	PINION NUT	PIGNONE, DADO
51	90201-16M00	REC90201-16M00	ARANDELA	WASHER	RONDELLA
54	93311-83280	REC93311-83280	PIÑÓN RODAMIENTO	PINION BEARING	PIGNONE
55	61A-45641-02	REC61A-45641-02	DESPLAZABLE	SHIFTER	SCORREVOLE
56	61A-45567-00		ESPACIADOR	SHIM KIT, FWD BEARING	SPESSORE
57	93332-000W1	REC93332-000W1	RODAMIENTO	BEARING, FORWARD GEAR	CUSCINETTO
58	61A-45634-01	REC61A-45634-01	DESPLAZABLE	SHIFT SLIDE	SCORREVOLE
59	93501-04011	REC93501-04011	BOLA	DETENT BALL	BOLLA
60	90183-02M03	REC90183-02M03	MUELLE	SPRING NUT	MOLLA
61	6H1-45668-00	REC6H1-45668-00	EJE	FREE SHAFT	ASSE
62	61A-45635-00	REC61A-45635-00	GRUESO	SHIFT PLUNGER	SPESSORE
63	90501-10M77	REC90501-10M77	MUELLE	COMPRESSION SPRING	MOLLA
64	90201-02M00	REC90201-02M00	ARANDELA	PLATE WASHER	RONDELLA
65	61A-45631-03	REC61A-45631-03	SELECTOR	CLUTCH, 2 STROKE	SELETTORE
66	61A-45632-00	REC61A-45632-00	PASADOR	CROSS PIN	SPINOTTO
67	61A-45633-00	REC61A-45633-00	MUELLE	SPRING	MOLLA
68	60V-45611-00	REC60V-45611-00	EJE HÉLICE	PROP SHAFT	ASSE ELICA
69	90201-31M00	REC90201-31M00	ARANDELA	WASHER	RONDELLA
70	61A-455770-00		ESPACIADOR	SHIM KIT, REVERSE	SPESSORE
71	93306-210U0	REC93306-210U0	RODAMIENTO MARCHA ATRÁS	BEARING, REVERSE GEAR	CUSCINETTO MARCIA IND.
72	93211-04384	REC93211-04384	ARO TÓRICO	O-RING, BEARING CARRIER	O-RING
73	99590-10114	REC99590-10114	PIN CENTRADO	ALIGNMENT DOWEL	SPINOTTO
74	60V-45332-00-94	REC60V-45332-00-94	DIÁBOLO	BEARING CARRIER	COP. CASSA INGRANAGGI
75	90370-09M00		NIPPLE	GREASE NIPPLE	NIPPLE
76	90105-08M48		TORNILLO	BOLT	VITE
77	90201-08023		ARANDELA	WASHER	RONDELLA
78	93315-43061	REC93315-43061	RODAMIENTO	PROP SHAFT BEARING	CUSCINETTO
79	93101-30M17	REC93101-30M17	RETÉN	PROP SHAFT SEAL	PARAOLIO
80	69J-45361-00-8D	REC69J-45361-00-8D	FUNDA INFERIOR	CAP, LOWER CASING	COPERCHIO INFERIORE
81	97095-08020		TORNILLO	BOLT	VITE
82	90201-98023		ARANDELA	WASHER	RONDELLA
83	688-45997-00	REC688-45997-00	ESPACIADOR	SPACER	SPESSORE
84	92990-18200		ARANDELA	WASHER	RONDELLA
85	90171-18M04	REC90171-18M04	TUERCA	PROP NUT	DADO
86	91490-40030	REC91490-40030	PIN	COTTER PIN	SPINOTTO
87	61A-45301-10-8D		CARCASA	GEARCASE SEAL KIT	CARCASSE

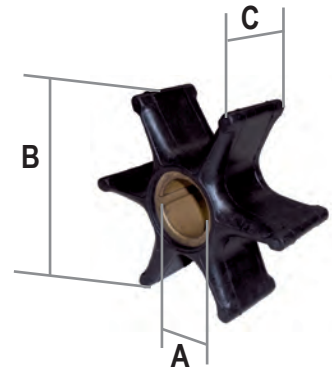


Nº	R.O. / OEM	Ref.	Descripción	Description	Descrizione
1	90119-08M14	REC90119-08M14	TORNILLO CON ARANDELA	BOLT W WASHER	VITE
2	6E5-44312-00	REC6E5-44312-00	TAPA CUERPO BOMBA AGUA	COVER, WATER PUMP HOUSING	COPERCHIO CORPO POMPA
3	6E5-44365-00	GLM38300	CASQUILLO GOMA	DAMPER	BOCCOLA GOMMA
4	61A-44311-01	REC61A-44311-00	CUERPO BOMBA AGUA	WATER PUMP HOUSING	CORPO POMPA ACQUA
5	93606-42019	REC93606-42019	PASADOR	PIN, DOWELL	SPINOTTO
6	93210-37M67	REC93210-37M67	ARO TÓRICO	O-RING	O-RING
7	93210-86M38	REC93210-86M38	ARO TÓRICO	O-RING	O-RING
8	61A-44322-02	REC61A-44322-02	CASQUILLO INOX.	PUMP CUP	BOCCOLA INOX.
9	6E5-44352-01	REC6E5-44352-01	IMPULSOR	IMPELLER	GIRANTE
10	60X-44323-00	GLM12519	TAPA BOMBA	WEAR PLATE FOR 2 STROKE	COPERCHIO POMPA
11	60X-44315-A0		JUNTA	GASKET, WATER PUMP	GUARNIZIONE
12	90280-04M05	REC90280-04M05	CHAVETA	KEY, WOODRUFF	CHIAVETTA
13	93101-28M16	REC93101-28M16	RETÉN	OIL SEAL	PARAOILIO
14	93430-08020	REC93430-08020	JUNTA	GASKET, DRAIN FILL	GUARNIZIONE

GUÍA IMPULSORES IMPELLER GUIDE GUIDA GIRANTE

Modelo / Model / Modello	R.O. / OEM	Ref. RECMAR	Ref. CEF	Medidas / Measurements / Misure A B C
2A/B/C	646-44352-01	REC646-44352-01	CEF500324	11,5 47,5 13,7
F2.5, 3A, MALTA	6L5-44352-00	REC6L5-44352-00	CEF500322	10 36 14,5
4A/B, F4A, 5C	6E0-44352-00	REC6E0-44352-00	CEF500325	11 40 12,6
F6A/B, F8C	68T-44352-00	REC68T-44352-00	CEF500368	11,6 53 14
E8D	662-44352-01	REC662-44352-01	CEF500321	14 40 22
6C/D,8C	6G1-44352-00	REC6G1-44352-00	CEF500302	11,9 40 18
F8, F9.9A/B/D, FT9.9A, 15D	682-44352-03	REC682-44352-01	CEF500320	13 40 22
FT8D, 9.9F, F9.9C, FT9.9D, 15F, F15A-C, F20B	63V-44352-01	REC63V-44352-01	CEF500363	12,85 53 14
20C, 25D, 30A	689-44352-02	REC689-44352-02	CEF500326	16,5 69,5 12,72
20D, 25N	6L2-44352-00	REC6L2-44352-00	CEF500384	13,97 51,2 19,05
F20A, F25A, FT25B, 25B/J/V, F30A, 30D/H/G, F40B, 40H/X, 50D	6H4-44352-02	REC6H4-44352-02	CEF500385G	16,1 51,2 19,05
F40A/C, 40V/F/Y, F45A, 50G/H, 55B, PRO50, F50A/B/F, FT50B/C/G	6H3-44352-00	REC6H3-44352-00	CEF500316	18,05 51,80 19
60F, F60A/C, FT60B/D, 70B-03	6H3-44352-00	REC6H3-44352-00	CEF500316	18,05 51,80 19
40Q	6F5-44352-00	REC6F5-44352-00	CEF500352	16,04 69,8 22,1
60F'04-, 70B'04-, 75A/C, PRO75, 80A, 85A, 90A	688-44352-03	REC688-44352-03	CEF500323	20,1 58 30
F80A/B, F100A/D	67F-44352-00	REC67F-44352-00	CEF500364	20 58,2 34,7
F(L)115A/F(L), 150A & all V4/V6	6E5-44352-01	REC6E5-44352-01	CEF500371	22,4 89 31
F300, F350	6AW-44352-00		CEF500389N	24,6 89 36

Todos los motores Yamaha utilizan impulsores de 6 palas. MEDIDAS mm (A-B-C)
All Yamaha engines use 6 impellers blades. Measurements mm (A-B-C)
Tutti i motori utilizzano giranti con 6 pale. Misure mm (A-B-C)



CLAMPS STARTERS HANDLE MANIGLIA DI AVVIAMENTO

Ref.	R.O.
REC6L8-G3118-01	6L8-G3118-01

MOTORES / ENGINES / MOTORI
F4/F6/F-FT8/F6
6C/TRV/M/D
8C/M



Ref.	R.O.
REC6N0-G2177-00	6N0-G2177-00

MOTORES / ENGINES / MOTORI
F2.5
6C/T/M/D
8C/T/M



Ref.	R.O.
REC663-43118-01-4D	663-43118-01-4D

MOTORES / ENGINES / MOTORI
F20/F25 E60H/E
40X/E40M/E40X/40Q E55C
E8D/55B E9.9D/E15D



Ref.	R.O.
REC689-15755-00	689-15755-00

MOTORES / ENGINES / MOTORI
9.9D/15D
25NE/20DM



Ref.	R.O.
REC99999-02808	99999-02808



Ref.	R.O.
REC6E0-43118-01	6E0-43118-00/01



Ref.	R.O.
REC648-44146-00	648-44146-00

MOTORES / ENGINES / MOTORI
25Q/D 40Q/H/E40G/J
30A 50D
20C



Ref.	R.O.
REC650-44147-00	650-44147-00

MOTORES / ENGINES / MOTORI
40Q
E40G/J
40G/J



BUJES / BUSHINGS / BOCCOLE

Ref.	R.O.
PAF15-01010302	90386-22M15
REC90386-25M31	90386-25M31
PAF15-01000004	90386-30048
PAF25-01000004	90386-44M03
PAF25-01000001	90386-52M02
REC90386-30M77	90386-30M77



PAF15-01010302



REC90386-25M31



PAF15-01000004



PAF25-01000004



PAF25-01000001



REC90386-30M77



HANDLE

Ref.	R.O.
REC688-44120-12	688-44120-11/12

MOTORES / ENGINES / MOTORI

75AE/A
E75B
85A/AE



Ref.	R.O.
REC688-44120-22	688-44120-22

MOTORES / ENGINES / MOTORI

85AE



Ref.	R.O.
REC692-44120-22	692-44120-21/22

MOTORES / ENGINES / MOTORI

75AE
80A
90A



SILENBLOCK MOUNT DAMPERS SILENBLOCK

Ref.	R.O.
REC63V-44514-01-CA	63V-44514-01-CA

MOTORES / ENGINES / MOTORI

9.9F/FM/MS
13.5AMH
15F/FM/MS



Ref.	R.O.
REC66T-44514-00-4D	66T-44514-00-4D

MOTORES / ENGINES / MOTORI

40X
E40X/M



Ref.	R.O.
REC670-44514-00	670-44514-00

MOTORES / ENGINES / MOTORI

55B
E55CMH



Ref.	R.O.
REC670-44555-00-94	62Y-44555-00

MOTORES / ENGINES / MOTORI

E48CM
E55CM



Ref.	R.O.
REC679-44514-00-94	679-44514-00-94

MOTORES / ENGINES / MOTORI

40QE/QWC/G/J
E40G/J



Ref.	R.O.
REC682-44514-01-94	682-44514-01-94

MOTORES / ENGINES / MOTORI

E9.9DMH
E15DMH



Ref.	R.O.
REC688-44514-00	688-44514-00

MOTORES / ENGINES / MOTORI

E60HMHD
70BETO
75CETO
90AETO



Ref.	R.O.
REC688-44555-00	688-44555-00

MOTORES / ENGINES / MOTORI

60FE/FET
70CE/ETN
E75B
80A
85A



Ref.	R.O.
REC663-44551-02-8D	663-44551-02-8D

MOTORES / ENGINES / MOTORI
F50DETL
75CETO
90AETO/TR/TRH



Ref.	R.O.
REC676-44518-00	676-44518-00

MOTORES / ENGINES / MOTORI
E40G/J
40G/J
40G



KIT JUNTAS, RETENES Y COLAS GEAR HOUSING, GASKET & SEAL KITS

KIT GUARNIZIONE, TENUTE E PIEDI

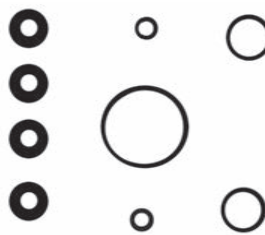
Ref.	R.O.
REC6A1-W0001-22	6A1-W0001-22

MOTORES / ENGINES / MOTORI
2B



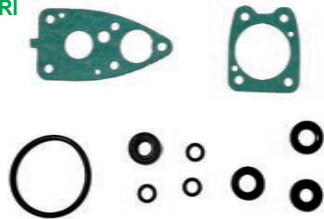
Ref.	R.O.
REC6A1-W0001-23	6A1-W0001-23

MOTORES / ENGINES / MOTORI
2B
2MSH



Ref.	R.O.
REC6E0-W0001-C1	6E0-W0001-C1

MOTORES / ENGINES / MOTORI
F4/F5/F6
4AC
MSH
5C/CS/CMH



Ref.	R.O.
REC6G1-W0001-C1	6G1-W0001-C0

MOTORES / ENGINES / MOTORI
6C/CMH/MSH/TRV/D/DMH
8C/MSH/CMH/TRV



Ref.	R.O.
REC68T-W0001-20	68T-W0001-20

MOTORES / ENGINES / MOTORI
F6/F8/F9.9



Ref.	R.O.
REC69G-W0001-20	69G-W0001-20

MOTORES / ENGINES / MOTORI
FT8/T8
FT9.9/T9.9



Ref.	R.O.
REC6G9-W0001-C4	6G9-W000C4

MOTORES / ENGINES / MOTORI
F8
F9.9



Ref.	R.O.
REC6G9-W0001-C6	6G9-W0001-C6

MOTORES / ENGINES / MOTORI
F8
F9.9



Ref.	R.O.
REC6G8-W0001-C6	6G8-W0001-C6

MOTORES / ENGINES / MOTORI
FT9.9
T9.9



Ref.	R.O.
REC6G8-W0001-C2	6G8-W0001-C2

MOTORES / ENGINES / MOTORI
FT9.9



Ref.	R.O.
REC66M-W0001-20	66M-W0001-20

MOTORES / ENGINES / MOTORI
F9.9
F13.5
F15



Ref.	R.O.
REC6G9-W0001-C2	6G9-W0001-C2

MOTORES / ENGINES / MOTORI
F9.9



YAMAHA

RECAMBIOS
MARINOS S.L.

Ref. R.O.
REC6G8-W0001-C0 6G8-W0001-C0

MOTORES / ENGINES / MOTORI
FT9.9



Ref. R.O.
REC6G8-W0001-C4 6G8-W0001-C4

MOTORES / ENGINES / MOTORI
FT9.9



Ref. R.O.
REC683-W0001-21 683-W0001-C1

MOTORES / ENGINES / MOTORI
9.9D/15D



Ref. R.O.
REC6G9-W0001-C0 6G9-W0001-C0

MOTORES / ENGINES / MOTORI
F9.9



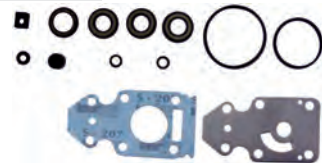
Ref. R.O.
REC63V-W0001-21 63V-W0001-21

MOTORES / ENGINES / MOTORI
9.9/15F
13.5AWH



Ref. R.O.
REC63V-W0001-22 63V-W0001-22

MOTORES / ENGINES / MOTORI
9.9/15F
13.5AWH



Ref. R.O.
REC689-W0001-C2 689-W0001-C2

MOTORES / ENGINES / MOTORI
20C/CM
25D
30A



Ref. R.O.
REC65W-W0001-20 65W-W0001-20

MOTORES / ENGINES / MOTORI
F20/25



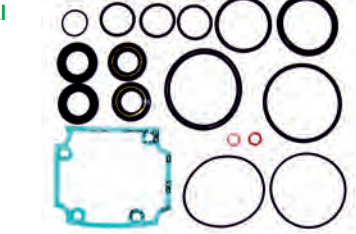
Ref. R.O.
REC6L2-W0001-C3 6L2-W0001-C3

MOTORES / ENGINES / MOTORI
20DMH/MLH
25D/NWC/MLH/MSH



Ref. R.O.
REC61N-W0001-E1 61N-W0001-E1

MOTORES / ENGINES / MOTORI
25V/VM/E25A
30G/GE



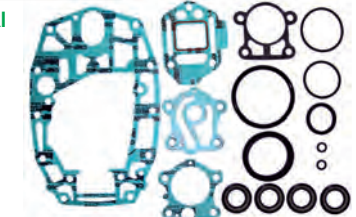
Ref. R.O.
REC67C-W0001-22 67C-W0001-22

MOTORES / ENGINES / MOTORI
FT25
T25
F30/40



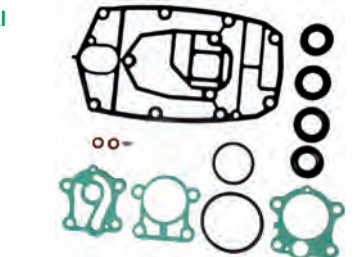
Ref. R.O.
GLM87834 6H4-W0001-21

MOTORES / ENGINES / MOTORI
25QE0
40HE/HEO
50DE/DEMTO



Ref. R.O.
GLM87833 6J8-W0001-21

MOTORES / ENGINES / MOTORI
25J
30D/DMH



Ref. R.O.
REC6H3-W0001-22 6H3-W0001-22

MOTORES / ENGINES / MOTORI
25B/BETO
50G/GEO/GETO
60FETO/FEDO/FEO/FLR
70B/BETO/BEMO



Ref. R.O.
REC67F-W0001-20

MOTORES / ENGINES / MOTORI
F30/40
FT25
T25



Ref. R.O.
REC62Y-W0001-22 62Y-W0001-22

MOTORES / ENGINES / MOTORI
F40/50



Ref. R.O.
REC62Y-W0001-20 62Y-W0001-20

MOTORES / ENGINES / MOTORI
F40/45/50



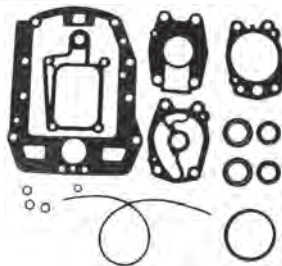
Ref. R.O.
REC62Y-W0001-21 62Y-W0001-21

MOTORES / ENGINES / MOTORI
F40/50



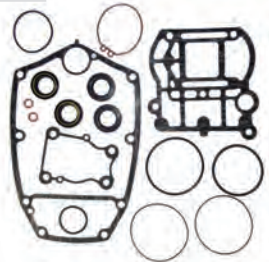
Ref. R.O.
REC6F5-W0001-C0 6F5-W0001-C0

MOTORES / ENGINES / MOTORI
40G/E40G



Ref. R.O.
REC66T-W0001-20 66T-W0001-20

MOTORES / ENGINES / MOTORI
40X/E40X-MH/XW
E40MCH



Ref. R.O.
REC6A0-W0001-21 6A0-W0001-21

MOTORES / ENGINES / MOTORI
40QE/G



Ref. R.O.
REC64J-W0001-20 64J-W0001-20

MOTORES / ENGINES / MOTORI
F45/50
FT50
T50



Ref. R.O.
REC698-W0001-21 698-W0001-21

MOTORES / ENGINES / MOTORI
E48
E48CMH
55B/BM/BET
E55CMH



Ref. R.O.
REC63D-W0001-20 63D-W0001-20

MOTORES / ENGINES / MOTORI
50H/40YETO/VE/C40T



Ref. R.O.
REC64J-W0001-22 64J-W0001-22

MOTORES / ENGINES / MOTORI
FT50/T50



Ref. R.O.
REC64J-W0001-21 64J-W0001-21

MOTORES / ENGINES / MOTORI
FT50, T50



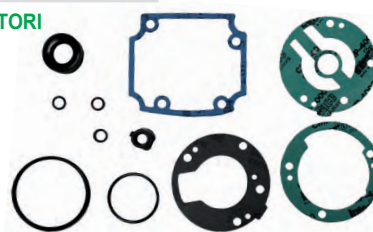
Ref. R.O.
GLM87812 698-W0001-20

MOTORES / ENGINES / MOTORI
55BET



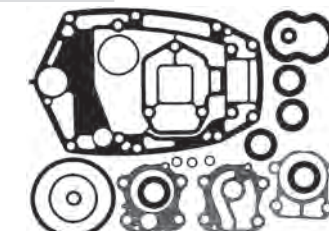
Ref. R.O.
REC689-W0001-21 689-W0001-21

MOTORES / ENGINES / MOTORI
55B



Ref. R.O.
REC6H3-W0001-C1 6H3-W0001-21

MOTORES / ENGINES / MOTORI
60FEO/FETO
70B/BEO/BEH/CE



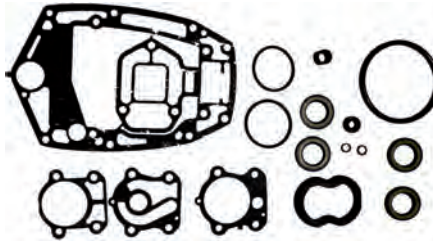
Ref.	R.O.
REC69D-W0001-20	69D-W0001-20

MOTORES / ENGINES / MOTORI
E60H



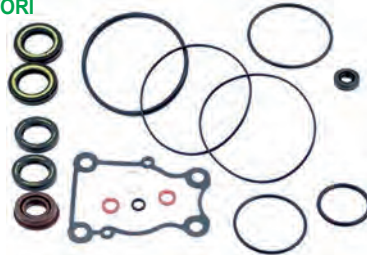
Ref.	R.O.
REC6H2-W0001-20	6H2-W0001-20

MOTORES / ENGINES / MOTORI
60FETO/TR
70BETO/TR



Ref.	R.O.
REC69W-W0001-20	69W-W0001-20

MOTORES / ENGINES / MOTORI
F60



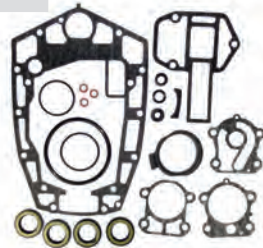
Ref.	R.O.
REC688-W0001-22	688-W0001-22

MOTORES / ENGINES / MOTORI
75CETO/E75B/AED
85A/AED/AET
90AETO/TR



Ref.	R.O.
REC688-W0001-20	688-W0001-20

MOTORES / ENGINES / MOTORI
75A/AE
80A
85A/AE
90A/AEO/AETO/ETN



Ref.	R.O.
REC67F-W0001-20	67F-W0001-20

MOTORES / ENGINES / MOTORI
F80/100



Ref.	R.O.
REC68V-W0001-20	68V-W0001-20

MOTORES / ENGINES / MOTORI
F115



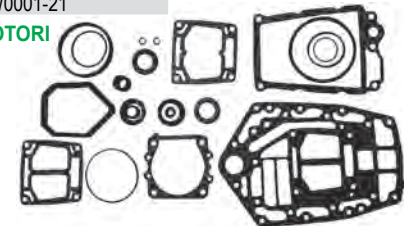
Ref.	R.O.
REC6E5-W0001-F1	6E5-W0001-F1

MOTORES / ENGINES / MOTORI
115BETO/B/CEO/TXR
130BETO



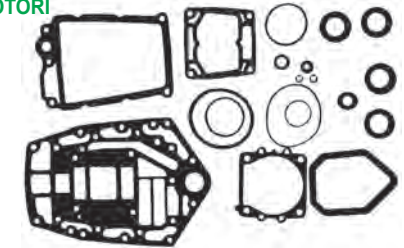
Ref.	R.O.
GLM87839	6F3-W0001-21

MOTORES / ENGINES / MOTORI
115CETO/CEO
130BETO



Ref.	R.O.
GLM87831	6E5-W0001-21

MOTORES / ENGINES / MOTORI
E115AE



Ref.	R.O.
REC65N-W0001-20	65N-W0001-20

MOTORES / ENGINES / MOTORI
D150H



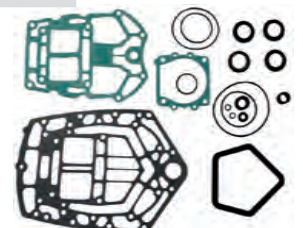
Ref.	R.O.
REC69J-W0001-20-00	69J-W0001-20

MOTORES / ENGINES / MOTORI
F200/225



Ref.	R.O.
GLM87842	

MOTORES / ENGINES / MOTORI
225C/CETO
250A/AET/AETO
250B



GUÍA PIEZAS COLA

STERN DRIVE COMPONENTS APPLICATIONS

GUIDA RICAMBI PIEDI

MODELO MODEL MODELLO	DESDE FROM DELL' ANNO	HASTA TO ALL' ANNO	PIÑÓN ATAQUE GEAR PIGNONE INNESTO	PIÑÓN AVANTE GEAR FORWARD PIGNONE MARCIA AVANTI	PIÑÓN M. ATRÁS GEAR REVERSE PIGNONE MAR. INDIETRO	PIÑÓN M. ATRÁS GEAR REVERSE PIGNONE MAR. INDIETRO	MUELLE SPRING MOLLA	EJE HÉLICE PROPELLER SHAFT ASSE ELICA	EJE VERTICAL DRIVESHAFT ASSEMBLY ASSE VERT.	DIÁBOLO CARRIER COP. CASSA INGRANAGGI
2B	1981	2003	REC646-45551-00	REC646-45560-00						
4A	1985	1987	REC6E0-45551-00	REC6E0-45560-00	REC6E0-45570-00	REC6E0-45631-00		REC6E0-45611-00	REC6E0-45511-01	PAF4-03050001
4AC	1987	1999	REC6E0-45551-00	REC6E0-45560-00	REC6E0-45570-00	REC6E0-45631-00		REC6E0-45611-00	REC6E0-45511-01	PAF4-03050001
4AC MHL 4AC MHS	2001	2003	REC6E0-45551-00	REC6E0-45560-00	REC6E0-45570-00	REC6E0-45631-00		REC6E0-45611-00	REC6E0-45511-11	PAF4-03050001
4AS	1987	1996	REC6E0-45551-00	REC6E0-45560-00	REC6E0-45570-00	REC6E0-45631-00		REC6E0-45611-00	REC6E0-45511-01	PAF4-03050001
4BC	1998	1999	REC6E0-45551-00	REC6E0-45560-00	REC6E0-45570-00	REC6E0-45631-00		REC6E0-45611-00	REC6E5-45511-01	PAF4-03050001
4BC	1999	1999	REC6E0-45551-00	REC6E0-45560-00	REC6E0-45570-00	REC6E0-45631-00		REC6E0-45611-00	REC6E0-45511-01	PAF4-03050001
4BC MHL 4BC MHS	2001	2003	REC6E0-45551-00	REC6E0-45560-00	REC6E0-45570-00	REC6E0-45631-00		REC6E0-45611-00	REC6E0-45511-11	PAF4-03050001
F4A	1998	2000	REC6E0-45551-00	PAF4-03010000	PAF4-03040000				REC6E0-45511-11	PAF4-03050001
F4A MH F4A MHL	2000	2000	REC6E0-45551-00	PAF4-03010000	PAF4-03040000				REC6E0-45511-11	PAF4-03050001
F4A MHS	2001	2001	REC6E0-45551-00	PAF4-03010000	PAF4-03040000				REC6E0-45511-11	PAF4-03050001
5C	1985	1999	REC6E0-45551-00	REC6E0-45560-00	REC6E0-45570-00	REC6E0-45631-00			REC6E0-45511-01	PAF4-03050001
5C MHL 5C MHS	2001	2006	REC6E0-45551-00	REC646-45560-00	REC6E0-45570-00	REC6E0-45631-00			REC6E0-45511-11	PAF4-03050001
5CS	1987	1996	REC6E0-45551-00	REC646-45560-00	REC6E0-45570-00	REC6E0-45631-00			REC6E0-45511-01	
6C	1990	1998	REC6N0-G5551-00	REC6N0-G5560-00	REC6N0-G5571-00	REC6G1-45631-00		REC6G1-45611-00		
6C MHL 6C MHS	2001	2006	REC6N0-G5551-00	REC6N0-G5560-00	REC6N0-G5571-00	REC6G1-45631-00		REC6G1-45611-00		
6C WHL 6C WHS	2001	2001	REC6N0-G5551-00	REC6N0-G5560-00	REC6N0-G5571-00	REC6G1-45631-00		REC6G1-45611-00		
6D	1990	1998	REC6N0-G5551-00	REC6N0-G5560-00	REC6N0-G5571-00	REC6G1-45631-00		REC6G1-45611-00		
6D MHL 6D MHS	2001	2006	REC6N0-G5551-00	REC6N0-G5560-00	REC6N0-G5571-00	REC6G1-45631-00		REC6G1-45611-00		
6D WHS	2001	2001	REC6N0-G5551-00	REC6N0-G5560-00	REC6N0-G5571-00	REC6G1-45631-00		REC6G1-45611-00		
8C	1990	1998	REC6N0-G5551-00	REC6N0-G5560-00	REC6N0-G5571-00	REC6G1-45631-00		REC6G1-45611-00		
8C MHL 8C MHS	2001	2006	REC6N0-G5551-00	REC6N0-G5560-00	REC6N0-G5571-00	REC6G1-45631-00		REC6G1-45611-00		
8C MHX	2001	2003	REC6N0-G5551-00	REC6N0-G5560-00	REC6N0-G5571-00	REC6G1-45631-00		REC6G1-45611-00		
8C WHL 8C WHS	2001	2002	REC6N0-G5551-00	REC6N0-G5560-00	REC6N0-G5571-00	REC6G1-45631-00		REC6G1-45611-00		
E8D	1997	1998	REC647-45551-00	REC647-45560-00	REC647-45570-00					
E8D MH	1999	1999	REC647-45551-00	REC647-45560-00	REC647-45570-00					
F8A	1986	1989				REC682-45631-00	REC648-45633-00			
F8B	1985	1999	REC6E7-45551-00	REC6E7-45560-00	REC6E7-45570-00	REC682-45631-00	REC648-45633-00	REC683-45611-00		
F8B E F8B EH F8B MH	1999	1999	REC6E7-45551-00	REC6E7-45560-00	REC6E7-45570-00	REC682-45631-00	REC648-45633-00	REC683-45611-00		
FT8D EL	2001	2004	REC66R-45551-00	REC66R-45560-00	REC66R-45570-00		REC648-45633-00	REC683-45611-00	REC69G-45510-20	
FT8D EPL	2001	2004	REC66R-45551-00	REC66R-45560-00	REC66R-45570-00		REC648-45633-00	REC683-45611-00	REC69G-45510-10	
FT8D EPX	2001	2002	REC66R-45551-00	REC66R-45560-00	REC66R-45570-00		REC648-45633-00	REC683-45611-00	REC69G-45510-10	
FT8D EX	2001	2004	REC66R-45551-00	REC66R-45560-00	REC66R-45570-00		REC648-45633-00	REC683-45611-00	REC69G-45510-20	
FT8D MHL FT8D MHX	2001	2004	REC66R-45551-00	REC66R-45560-00	REC66R-45570-00		REC648-45633-00	REC683-45611-00	REC69G-45510-10	
9.9D	1985	1989	REC6E7-45551-00	REC6E7-45560-00	REC6E7-45570-00	REC682-45631-00	REC648-45633-00	REC683-45611-00	REC69G-45510-20	
9.9D	1990	1995	REC6E7-45551-00	REC6E7-45560-00	REC6E7-45570-00	REC682-45631-00	REC648-45633-00	REC683-45611-00	REC6E7-45501-11	REC683-45361-02-4D
9.9F	1995	1999	REC63V-45551-00	REC6E7-45560-00	REC6E7-45570-00	REC682-45631-00	REC648-45633-00	REC683-45611-00	REC63V-45501-01 S 17,3" REC63V-45501-10 L 22,3"	REC683-45361-02-4D
9.9F MH	2000	2000	REC63V-45551-00	REC6E7-45560-00	REC6E7-45570-00	REC682-45631-00	REC648-45633-00	REC683-45611-00	REC63V-45501-01 S 17,3" REC63V-45501-11 L 22,3"	REC683-45361-02-4D
9.9F MHL 9.9F MHS	2001	2006	REC63V-45551-00	REC6E7-45560-00	REC6E7-45570-00	REC682-45631-00	REC648-45633-00	REC683-45611-00	REC63V-45501-01 S 17,3" REC63V-45501-11 L 22,3"	REC683-45361-02-4D
9.9F WC 9.9F WH	2000	2000	REC63V-45551-00	REC6E7-45560-00	REC6E7-45570-00	REC682-45631-00	REC648-45633-00	REC683-45611-00	REC63V-45501-01 S 17,3" REC63V-45501-11 L 22,3"	REC683-45361-02-4D
9.9F WHL 9.9F WHS	2001	2001	REC63V-45551-00	REC6E7-45560-00	REC6E7-45570-00	REC682-45631-00	REC648-45633-00	REC683-45611-00	REC63V-45501-01 S 17,3" REC63V-45501-11 L 22,3"	REC683-45361-02-4D
F9.9B	1985	1997	REC6E7-45551-00	REC6E7-45560-00	REC6E7-45570-00	REC682-45631-00	REC648-45633-00	REC683-45611-00		REC683-45361-02-4D
F9.9B E	1999	1999	REC6E7-45551-00	REC6E7-45560-00	REC6E7-45570-00	REC682-45631-00	REC648-45633-00	REC683-45611-00		REC683-45361-02-4D
F9.9B EH	1999	1999	REC6E7-45551-00	REC6E7-45560-00	REC6E7-45570-00	REC682-45631-00	REC648-45633-00	REC683-45611-00		REC683-45361-02-4D
F9.9B MH	1999	1999	REC6E7-45551-00	REC6E7-45560-00	REC6E7-45570-00	REC682-45631-00	REC648-45633-00	REC683-45611-00		REC683-45361-02-4D
F9.9C	1998	1998	REC63V-45551-00	REC6E7-45560-00	REC6E7-45570-00	REC682-45631-00	REC648-45633-00	REC683-45611-00	REC63V-45501-01 S 17,3" REC63V-45501-11 L 22,3"	REC683-45361-02-4D
F9.9C E	2000	2000	REC63V-45551-00	REC6E7-45560-00	REC6E7-45570-00	REC682-45631-00	REC648-45633-00	REC683-45611-00	REC63V-45501-01 S 17,3" REC63V-45501-11 L 22,3"	REC683-45361-02-4D

YAMAHA

**RECAMBIOS
MARINOS S.L.**

MODELO MODEL MODELLO	DESDE FROM ANNO	HASTA TO ALL' ANNO	PIÑÓN ATAQUE GEAR PIGNONE INNESTO	PIÑÓN AVANTE GEAR FORWARD PIGNONE MARCIA AVANTI	PIÑÓN M. ATRÁS GEAR REVERSE PIGNONE MAR. INDIETRO	PIÑÓN M. ATRÁS GEAR REVERSE PIGNONE MAR. INDIETRO	MUELLE SPRING MOLLA	EJE HÉLICE PROPELLER SHAFT ASSE ELICA	EJE VERTICAL DRIVESHAFT ASSEMBLY ASSE VERT.	DIÁBOLO CARRIER COP. CASSA INGRANAGGI
F9.9C EH	2000	2000	REC63V-45551-00	REC6E7-45560-00	REC6E7-45570-00	REC682-45631-00	REC648-45633-00	REC683-45611-00	REC63V-45501-01 S 17,3" REC63V-45501-11 L 22,3"	REC683-45361-02-4D
F9.9C EL F9.9C ES	2001	2006	REC63V-45551-00	REC6E7-45560-00	REC6E7-45570-00	REC682-45631-00	REC648-45633-00	REC683-45611-00	REC63V-45501-01 S 17,3" REC63V-45501-11 L 22,3"	REC683-45361-02-4D
F9.9C MH	2000	2000	REC63V-45551-00	REC6E7-45560-00	REC6E7-45570-00	REC682-45631-00	REC648-45633-00	REC683-45611-00	REC63V-45501-01 S 17,3" REC63V-45501-11 L 22,3"	REC683-45361-02-4D
F9.9C MHL F9.9C MHS	2001	2006	REC63V-45551-00	REC6E7-45560-00	REC6E7-45570-00	REC682-45631-00	REC648-45633-00	REC683-45611-00	REC63V-45501-01 S 17,3" REC63V-45501-11 L 22,3"	REC683-45361-02-4D
FT9.9A	1999	1999	REC66R-45551-00	REC66R-45560-00	REC66R-45570-00	REC682-45631-00	REC648-45633-00			
FT9.9D	1999	1999	REC66R-45551-00	REC66R-45560-00	REC66R-45570-00	REC682-45631-00	REC648-45633-00	REC683-45611-00		
FT9.9D E FT9.9D EH	2000	2000	REC66R-45551-00	REC66R-45560-00	REC66R-45570-00	REC682-45631-00	REC648-45633-00	REC683-45611-00		
FT9.9D EHL FT9.9D EHX	2001	2001	REC66R-45551-00	REC66R-45560-00	REC66R-45570-00	REC682-45631-00	REC648-45633-00	REC683-45611-00		
FT9.9D EL	2001	2006	REC66R-45551-00	REC66R-45560-00	REC66R-45570-00	REC682-45631-00	REC648-45633-00	REC683-45611-00		
FT9.9D EP	2000	2000	REC66R-45551-00	REC66R-45560-00	REC66R-45570-00	REC682-45631-00	REC648-45633-00			
FT9.9D EPL FT9.9D EPX	2001	2002	REC66R-45551-00	REC66R-45560-00	REC66R-45570-00	REC682-45631-00	REC648-45633-00	REC683-45611-00		
FT9.9D ES	2001	2001	REC66R-45551-00	REC66R-45560-00	REC66R-45570-00	REC682-45631-00	REC648-45633-00	REC683-45611-00		
FT9.9D EX	2001	2006	REC66R-45551-00	REC66R-45560-00	REC66R-45570-00	REC682-45631-00	REC648-45633-00	REC683-45611-00		
FT9.9D MH	2000	2000	REC66R-45551-00	REC66R-45560-00	REC66R-45570-00	REC682-45631-00	REC648-45633-00	REC683-45611-00		
FT9.9D MHL FT9.9D MHX	2001	2006	REC66R-45551-00	REC66R-45560-00	REC66R-45570-00	REC682-45631-00	REC648-45633-00	REC683-45611-00		
13.5A	1999	1999	REC63V-45551-00	REC6E7-45560-00	REC6E7-45570-00	REC682-45631-00	REC648-45633-00	REC683-45611-00	REC63V-45501-01 S 17,3" REC63V-45501-11 L 22,3"	REC683-45361-02-4D
13.5A MH	2000	2000	REC63V-45551-00	REC6E7-45560-00	REC6E7-45570-00	REC682-45631-00	REC648-45633-00	REC683-45611-00	REC63V-45501-01 S 17,3" REC63V-45501-11 L 22,3"	REC683-45361-02-4D
13.5A MHL 13.5A MHS	2001	2004	REC63V-45551-00	REC6E7-45560-00	REC6E7-45570-00	REC682-45631-00	REC648-45633-00	REC683-45611-00	REC63V-45501-01 S 17,3" REC63V-45501-11 L 22,3"	REC683-45361-02-4D
13.5A WH	2000	2000	REC63V-45551-00	REC6E7-45560-00	REC6E7-45570-00	REC682-45631-00	REC648-45633-00	REC683-45611-00	REC63V-45501-01 S 17,3" REC63V-45501-11 L 22,3"	REC683-45361-02-4D
F13.5A EHL	2005	2006	REC63V-45551-00	REC6E7-45560-00	REC6E7-45570-00	REC682-45631-00	REC648-45633-00	REC683-45611-00	REC63V-45501-01 S 17,3" REC63V-45501-11 L 22,3"	REC683-45361-02-4D
F13.5A EPL F13.5A EHS	2005	2005	REC63V-45551-00	REC6E7-45560-00	REC6E7-45570-00	REC682-45631-00	REC648-45633-00	REC683-45611-00	REC63V-45501-01 S 17,3" REC63V-45501-11 L 22,3"	REC683-45361-02-4D
F13.5A MH	2001	2001	REC63V-45551-00	REC6E7-45560-00	REC6E7-45570-00	REC682-45631-00		REC683-45611-00	REC63V-45501-01 S 17,3" REC63V-45501-11 L 22,3"	REC683-45361-02-4D
F13.5A MHL F13.5A MHS	2002	2006	REC63V-45551-00	REC6E7-45560-00	REC6E7-45570-00	REC682-45631-00	REC648-45633-00	REC683-45611-00	REC63V-45501-01 S 17,3" REC63V-45501-11 L 22,3"	REC683-45361-02-4D
15D	1985	1989	REC6E7-45551-00	REC6E7-45560-00	REC6E7-45570-00	REC682-45631-00	REC648-45633-00	REC683-45611-00		
15D	1990	1995	REC6E7-45551-00	REC6E7-45560-00	REC6E7-45570-00	REC682-45631-00	REC648-45633-00	REC683-45611-00	REC6E7-45501-11	REC683-45361-02-4D
15F	1995	1999	REC63V-45551-00	REC6E7-45560-00	REC6E7-45570-00	REC682-45631-00	REC648-45633-00	REC683-45611-00	REC63V-45501-01 S 17,3" REC63V-45501-10 L 22,3"	REC683-45361-02-4D
15F MH	2000	2000	REC63V-45551-00	REC6E7-45560-00	REC6E7-45570-00	REC682-45631-00	REC648-45633-00	REC683-45611-00	REC63V-45501-01 S 17,3" REC63V-45501-11 L 22,3"	REC683-45361-02-4D
15F MHL 15F MHS	2001	2006	REC63V-45551-00	REC6E7-45560-00	REC6E7-45570-00	REC682-45631-00	REC648-45633-00	REC683-45611-00	REC63V-45501-01 S 17,3" REC63V-45501-11 L 22,3"	REC683-45361-02-4D
15F WC	2000	2000	REC63V-45551-00	REC6E7-45560-00	REC6E7-45570-00	REC682-45631-00	REC648-45633-00	REC683-45611-00	REC63V-45501-01 S 17,3" REC63V-45501-11 L 22,3"	REC683-45361-02-4D
15F WCL	2001	2003	REC63V-45551-00	REC6E7-45560-00	REC6E7-45570-00	REC682-45631-00	REC648-45633-00	REC683-45611-00	REC63V-45501-01 S 17,3" REC63V-45501-11 L 22,3"	REC683-45361-02-4D

MODELO MODEL MODELLO	DESDE FROM DELL' ANNO	HASTA TO ALL' ANNO	PIÑÓN ATAQUE GEAR PIGNONE INNESTO	PIÑÓN AVANTE GEAR FORWARD PIGNONE MARCIA AVANTI	PIÑÓN M. ATRÁS GEAR REVERSE PIGNONE MAR. INDIETRO	PIÑÓN M. ATRÁS GEAR REVERSE PIGNONE MAR. INDIETRO	MUELLE SPRING MOLLA	EJE HÉLICE PROPELLER SHAFT ASSE ELICA	EJE VERTICAL DRIVESHAFT ASSEMBLY ASSE VERT.	DIÁBOLO CARRIER COP. CASSA INGRANAGGI
15F WCS	2001	2002	REC63V-45551-00	REC6E7-45560-00	REC6E7-45570-00	REC682-45631-00	REC648-45633-00	REC683-45611-00	REC63V-45501-01 S 17,3" REC63V-45501-11 L 22,3"	REC683-45361-02-4D
F15A	1998	1998	REC63V-45551-00	REC6E7-45560-00	REC6E7-45570-00	REC682-45631-00	REC648-45633-00	REC683-45611-00	REC63V-45501-01 S 17,3" REC63V-45501-11 L 22,3"	REC683-45361-02-4D
F15A E F15A EH	1998	2000	REC63V-45551-00	REC6E7-45560-00	REC6E7-45570-00	REC682-45631-00	REC648-45633-00	REC683-45611-00	REC63V-45501-01 S 17,3" REC63V-45501-11 L 22,3"	REC683-45361-02-4D
F15A EHS F15A EHL	2001	2006	REC63V-45551-00	REC6E7-45560-00	REC6E7-45570-00	REC682-45631-00	REC648-45633-00	REC683-45611-00	REC63V-45501-01 S 17,3" REC63V-45501-11 L 22,3"	REC683-45361-02-4D
F15A EL	2001	2006	REC63V-45551-00	REC6E7-45560-00	REC6E7-45570-00	REC682-45631-00	REC648-45633-00	REC683-45611-00	REC63V-45501-01 S 17,3" REC63V-45501-11 L 22,3"	REC683-45361-02-4D
F15A EP	2000	2000	REC63V-45551-00	REC6E7-45560-00	REC6E7-45570-00	REC682-45631-00	REC648-45633-00			REC683-45361-02-4D
F15A EPL F15A EPS	2001	2006	REC63V-45551-00	REC6E7-45560-00	REC6E7-45570-00	REC682-45631-00	REC648-45633-00	REC683-45611-00		REC683-45361-02-4D
F15A ES	2001	2006	REC63V-45551-00	REC6E7-45560-00	REC6E7-45570-00	REC682-45631-00	REC648-45633-00	REC683-45611-00	REC63V-45501-01 S 17,3" REC63V-45501-11 L 22,3"	REC683-45361-02-4D
F15A MH	1998	2000	REC63V-45551-00	REC6E7-45560-00	REC6E7-45570-00	REC682-45631-00	REC648-45633-00	REC683-45611-00	REC63V-45501-01 S 17,3" REC63V-45501-11 L 22,3"	REC683-45361-02-4D
F15A MHL F15A MHS	2001	2006	REC63V-45551-00	REC6E7-45560-00	REC6E7-45570-00	REC682-45631-00	REC648-45633-00	REC683-45611-00	REC63V-45501-01 S 17,3" REC63V-45501-11 L 22,3"	REC683-45361-02-4D
20C	1985	1985	REC689-45551-00	REC689-45560-00	REC689-45571-00-00	REC664-45631-00	REC648-45633-00	REC689-45611-00	REC689-45501-10 L	
20C	1986	1993	REC63V-45551-00	REC689-45560-00	REC689-45571-00-00	REC664-45631-00	REC648-45633-00	REC689-45611-00	REC689-45501-10 L	
20C M	1990	1997	REC63V-45551-00	REC689-45560-00	REC689-45571-00-00	REC664-45631-00	REC648-45633-00	REC689-45611-00	REC689-45501-10 L	
20C MH	1998	1998	REC63V-45551-00	REC689-45560-00	REC689-45571-00-00	REC664-45631-00	REC648-45633-00	REC689-45611-00	REC689-45501-10 L	
20C MHL	2001	2002	REC63V-45551-00	REC689-45560-00	REC689-45571-00-00	REC664-45631-00	REC648-45633-00	REC689-45611-00	REC689-45501-10 L	
20C MHS	2001	2002	REC63V-45551-00	REC689-45560-00	REC689-45571-00-00	REC664-45631-00	REC648-45633-00	REC689-45611-00		
20D	1988	1998					REC648-45633-00	REC6L2-45611-00		
20D MHOL 20D MHOS 20D WOL 20D WOS	2001	2006					REC648-45633-00	REC6L2-45611-00		
F20A	1998	1999	REC61N-45551-00	REC61N-45560-00	REC61N-45570-00	REC664-45631-00	REC648-45633-00	REC6L2-45611-00	REC61N-45510-10 L 21,6"	PAF25-04070000
F20A E F20A EH	2000	2000	REC61N-45551-00	REC61N-45560-00	REC61N-45570-00	REC664-45631-00	REC648-45633-00	REC6L2-45611-00	REC61N-45510-00 S 16,6"	PAF25-04070000
F20A EH	2000	2000	REC61N-45551-00	REC61N-45560-00	REC61N-45570-00	REC664-45631-00	REC648-45633-00	REC6L2-45611-00	REC61N-45510-00 S 16,6"	PAF25-04070000
F20A EL	2001	2001	REC61N-45551-00	REC61N-45560-00	REC61N-45570-00	REC664-45631-00	REC648-45633-00	REC6L2-45611-00	REC61N-45510-10 L 21,6"	PAF25-04070000
F20A ES	2006	2006	REC61N-45551-00	REC61N-45560-00	REC61N-45570-00	REC664-45631-00	REC648-45633-00	REC6L2-45611-00	REC61N-45510-10 L 21,6"	PAF25-04070000
F20A ET	2000	2000	REC61N-45551-00	REC61N-45560-00	REC61N-45570-00	REC664-45631-00	REC648-45633-00	REC6L2-45611-00	REC61N-45510-00 S 16,6"	PAF25-04070000
F20A ETL	2006	2006	REC61N-45551-00	REC61N-45560-00	REC61N-45570-00	REC664-45631-00	REC648-45633-00	REC6L2-45611-00	REC61N-45510-10 L 21,6"	PAF25-04070000
F20A MH	2000	2000	REC61N-45551-00	REC61N-45560-00	REC61N-45570-00	REC664-45631-00	REC648-45633-00	REC6L2-45611-00	REC61N-45510-00 S 16,6"	PAF25-04070000
F20A MHL	2000	2000	REC61N-45551-00	REC61N-45560-00	REC61N-45570-00	REC664-45631-00	REC648-45633-00	REC6L2-45611-00	REC61N-45510-10 L 21,6"	PAF25-04070000
F20A MHS	2001	2001	REC61N-45551-00	REC61N-45560-00	REC61N-45570-00	REC664-45631-00	REC648-45633-00	REC6L2-45611-00	REC61N-45510-10 L 21,6"	PAF25-04070000
25B	1994	1995	REC6K5-45551-00	REC6K5-45560-00		REC664-45631-00	REC648-45633-00	REC697-45611-00		REC688-45331-00-94
25B MHL	2001	2006	REC61N-45551-00	REC61N-45560-00	REC61N-45570-00	REC664-45631-00	REC648-45633-00	REC6L2-45611-00	REC61N-45510-10 L 21,6"	PAF25-04070000
25B MHS	2001	2006	REC61N-45551-00	REC61N-45560-00	REC61N-45570-00	REC664-45631-00	REC648-45633-00	REC6L2-45611-00	REC61N-45510-00 S 16,6"	PAF25-04070000
25B WCS	2001	2002	REC61N-45551-00	REC61N-45560-00	REC61N-45570-00	REC664-45631-00	REC648-45633-00	REC6L2-45611-00	REC61N-45510-10 L 21,6"	PAF25-04070000
25D	1985	1987	REC689-45551-00	REC689-45560-00	REC689-45571-00-00	REC664-45631-00	REC648-45633-00	REC689-45611-00		PAF25-04070000
25D M	1990	1997	REC689-45551-00	REC689-45560-00	REC689-45571-00-00	REC664-45631-00	REC648-45633-00	REC689-45611-00		PAF25-04070000
25D MH	1998	1998	REC689-45551-00	REC689-45560-00	REC689-45571-00-00	REC664-45631-00	REC648-45633-00		REC689-45501-10 L	PAF25-04070000
25D MHL 25D MHS	2001	2001	REC689-45551-00	REC689-45560-00	REC689-45571-00-00	REC664-45631-00	REC648-45633-00			PAF25-04070000
25J	1987	1991					REC648-45633-00			PAF25-04070000
25J	1992	2000					REC648-45633-00			PAF25-04070000

MODELO MODEL MODELLO	DESDE FROM DELLI ANNO	HASTA TO ALL ANNO	PIÑÓN ATAQUE GEAR PIGNONE INNESTO	PIÑÓN AVANTE GEAR FORWARD PIGNONE MARCIA AVANTI	PIÑÓN M. ATRÁS GEAR REVERSE PIGNONE MAR. INDIETRO	PIÑÓN M. ATRÁS GEAR REVERSE PIGNONE MAR. INDIETRO	MUELLE SPRING MOLLA	EJE HÉLICE PROPELLER SHAFT ASSE ELICA	EJE VERTICAL DRIVESHAFT ASSEMBLY ASSE VERT.	DIÁBOLO CARRIER COP. CASSA INGRANAGGI
25N	1988	1998					REC648-45633-00	REC6L2-45611-00		PAF25-04070000
25N MHOL	2001	2006					REC648-45633-00	REC6L2-45611-00		PAF25-04070000
25N MHOS	2001	2003					REC648-45633-00	REC6L2-45611-00		PAF25-04070000
25N WOL	2001	2003					REC648-45633-00	REC6L2-45611-00		PAF25-04070000
25N WOS	2001	2003					REC648-45633-00	REC6L2-45611-00		PAF25-04070000
25Q	1988	1994	REC6H4-45551-00	REC6H4-45560-00	REC6H4-45570-00	REC663-45631-00	REC648-45633-00	REC679-45611-00		PAF25-04070000
25V	1996	1996	REC61N-45551-00	REC61N-45560-00	REC61N-45570-00	REC664-45631-00	REC648-45633-00	REC6L2-45611-00	REC61N-45510-10 L 21,6"	PAF25-04070000
25V	1996	1998	REC61N-45551-00	REC61N-45560-00	REC61N-45570-00	REC664-45631-00	REC648-45633-00	REC6L2-45611-00	REC61N-45510-10 L 21,6"	PAF25-04070000
25V MHL	2001	2001	REC61N-45551-00	REC61N-45560-00	REC61N-45570-00	REC664-45631-00	REC648-45633-00	REC6L2-45611-00	REC61N-45510-10 L 21,6"	PAF25-04070000
25V MHS	2001	2001	REC61N-45551-00	REC61N-45560-00	REC61N-45570-00	REC664-45631-00	REC648-45633-00	REC6L2-45611-00	REC61N-45510-10 L 21,6"	PAF25-04070000
25V WCS	2001	2001	REC61N-45551-00	REC61N-45560-00	REC61N-45570-00	REC664-45631-00	REC648-45633-00	REC6L2-45611-00	REC61N-45510-10 L 21,6"	PAF25-04070000
F25A E	2000	2000	REC61N-45551-00	REC61N-45560-00	REC61N-45570-00	REC664-45631-00	REC648-45633-00	REC6L2-45611-00	REC61N-45510-10 L 21,6"	PAF25-04070000
F25A EH	2000	2000	REC61N-45551-00	REC61N-45560-00	REC61N-45570-00	REC664-45631-00	REC648-45633-00	REC6L2-45611-00	REC61N-45510-10 L 21,6"	PAF25-04070000
F25A EHL	2001	2002	REC61N-45551-00	REC61N-45560-00	REC61N-45570-00	REC664-45631-00	REC648-45633-00	REC6L2-45611-00	REC61N-45510-10 L 21,6"	PAF25-04070000
F25A EHS	2001	2001	REC61N-45551-00	REC61N-45560-00	REC61N-45570-00	REC664-45631-00	REC648-45633-00	REC6L2-45611-00	REC61N-45510-00 S 16,6"	PAF25-04070000
F25A EL	2001	2006	REC61N-45551-00	REC61N-45560-00	REC61N-45570-00	REC664-45631-00	REC648-45633-00	REC6L2-45611-00	REC61N-45510-10 L 21,6"	PAF25-04070000
F25A ES	2001	2006	REC61N-45551-00	REC61N-45560-00	REC61N-45570-00	REC664-45631-00	REC648-45633-00	REC6L2-45611-00	REC61N-45510-10 L 21,6"	PAF25-04070000
F25A ET	2000	2000	REC61N-45551-00	REC61N-45560-00	REC61N-45570-00	REC664-45631-00	REC648-45633-00	REC6L2-45611-00	REC61N-45510-00 S 16,6"	PAF25-04070000
F25A ETL	2001	2006	REC61N-45551-00	REC61N-45560-00	REC61N-45570-00	REC664-45631-00	REC648-45633-00	REC6L2-45611-00	REC61N-45510-10 L 21,6"	PAF25-04070000
F25A ETL	2001	2006	REC61N-45551-00	REC61N-45560-00	REC61N-45570-00	REC664-45631-00	REC648-45633-00	REC6L2-45611-00	REC61N-45510-10 L 21,6"	PAF25-04070000
F25A ETL	2001	2006	REC61N-45551-00	REC61N-45560-00	REC61N-45570-00	REC664-45631-00	REC648-45633-00	REC6L2-45611-00	REC61N-45510-10 L 21,6"	PAF25-04070000
F25A ETL	2001	2006	REC61N-45551-00	REC61N-45560-00	REC61N-45570-00	REC664-45631-00	REC648-45633-00	REC6L2-45611-00	REC61N-45510-10 L 21,6"	PAF25-04070000
F25A MH	2000	2000	REC61N-45551-00	REC61N-45560-00	REC61N-45570-00	REC664-45631-00	REC648-45633-00	REC6L2-45611-00	REC61N-45510-10 L 21,6"	PAF25-04070000
F25A MHL	2001	2006	REC61N-45551-00	REC61N-45560-00	REC61N-45570-00	REC664-45631-00	REC648-45633-00	REC6L2-45611-00	REC61N-45510-10 L 21,6"	PAF25-04070000
F25A MHS	2001	2006	REC61N-45551-00	REC61N-45560-00	REC61N-45570-00	REC664-45631-00	REC648-45633-00	REC6L2-45611-00	REC61N-45510-10 L 21,6"	PAF25-04070000
FT25B ED	2000	2000						REC66T-45611-00		REC63D-45361-02-4D
FT25B EDL	2001	2002						REC66T-45611-00		REC63D-45361-02-4D
FT25B EDX	2001	2002						REC66T-45611-00		REC63D-45361-02-4D
FT25B ET	2000	2000						REC66T-45611-00		REC63D-45361-02-4D
FT25B ETL	2001	2006						REC66T-45611-00		REC63D-45361-02-4D
FT25B ETX	2001	2002						REC66T-45611-00		REC63D-45361-02-4D
30A	1985	1985	REC689-45551-00	REC689-45560-00	REC689-45571-00-00	REC664-45631-00	REC648-45633-00	REC689-45611-00		
30A M	1990	1992	REC689-45551-00	REC689-45560-00	REC689-45571-00-00	REC664-45631-00	REC648-45633-00	REC689-45611-00	REC689-45501-10	
30D	1986	2000					REC648-45633-00			
30D EOL	2001	2006					REC648-45633-00			
30D EOS	2001	2006					REC648-45633-00			
30D ETOL	2001	2006					REC648-45633-00			
30D MHOL	2001	2003					REC648-45633-00			
30D MHOS	2001	2003					REC648-45633-00			
30D OL	2001	2003					REC648-45633-00			
30D EOS	2001	2006					REC648-45633-00			
30G	1996	1996	REC61N-45551-00	REC61N-45560-00	REC61N-45570-00	REC664-45631-00	REC648-45633-00	REC6L2-45611-00	REC61N-45510-00 S 16,6"	PAF25-04070000
30G	1996	1998	REC61N-45551-00	REC61N-45560-00	REC61N-45570-00	REC664-45631-00	REC648-45633-00	REC6L2-45611-00	REC61N-45510-00 S 16,6"	PAF25-04070000
30G MHS	2001	2001	REC61N-45551-00	REC61N-45560-00	REC61N-45570-00		REC648-45633-00	REC6L2-45611-00	REC61N-45510-00 S 16,6"	PAF25-04070000
30G WCS	2001	2001	REC61N-45551-00	REC61N-45560-00	REC61N-45570-00		REC648-45633-00	REC6L2-45611-00	REC61N-45510-00 S 16,6"	PAF25-04070000
30H MHS	2001	2002	REC61N-45551-00	REC61N-45560-00	REC61N-45570-00	REC664-45631-00	REC648-45633-00	REC6L2-45611-00	REC61N-45510-00 S 16,6"	PAF25-04070000
30H WCS	2001	2002	REC61N-45551-00	REC61N-45560-00	REC61N-45570-00	REC664-45631-00	REC648-45633-00	REC6L2-45611-00	REC61N-45510-10 L 21,6"	PAF25-04070000
F30A ETL	2001	2006	REC66T-45551-00	REC66T-45560-00	REC66T-45571-00	REC66T-45631-00		REC66T-45611-00	REC67C-45501-10 L 21"	REC63D-45361-02-4D
F30A ETS	2001	2006	REC66T-45551-00	REC66T-45560-00	REC66T-45571-00	REC66T-45631-00		REC66T-45611-00	REC67C-45501-00 S 16,1"	REC63D-45361-02-4D
F30A MHDL	2001	2006	REC66T-45551-00	REC66T-45560-00	REC66T-45571-00	REC66T-45631-00		REC66T-45611-00	REC67C-45501-10 L 21"	REC63D-45361-02-4D
F30A MHDS	2001	2006	REC66T-45551-00	REC66T-45560-00	REC66T-45571-00	REC66T-45631-00		REC66T-45611-00	REC67C-45501-00 S 16,1"	REC63D-45361-02-4D
E40G WH	2003	2003	REC6F5-45551-00	REC6F5-45560-00	REC6F5-45570-00	REC663-45631-00	REC663-45633-00	REC6F6-45611-00	REC676-45501-10 L	REC63D-45361-02-4D
40H	1985	1990	REC6H4-45551-00	REC6H4-45560-00	REC6H4-45570-00	REC6H4-45631-00	REC663-45633-00	REC679-45611-00		
40H	1991	1993	REC6H4-45551-00	REC6H4-45560-00	REC6H4-45570-00	REC6H4-45631-00	REC663-45633-00	REC679-45611-00		
40Q	1993	1998	REC6H9-45551-00	REC679-45560-00	REC679-45571-00-00	REC663-45631-00	REC663-45633-00	REC679-45611-00	REC679-45501-10 L	
40Q E	1992	1992	REC6H9-45551-00	REC679-45560-00	REC679-45571-00-00	REC663-45631-00	REC663-45633-00	REC679-45611-00	REC679-45501-10 L	
40Q M	1990	1992	REC6H9-45551-00	REC679-45560-00	REC679-45571-00-00	REC663-45631-00	REC663-45633-00	REC679-45611-00	REC679-45501-10 L	
40R MHO	2000	2000	REC6H4-45551-00	REC6H4-45560-00	REC6H4-45570-00		REC663-45633-00			REC63D-45361-02-4D
40R ROS	2001	2001	REC6H4-45551-00	REC6H4-45560-00	REC6H4-45570-00		REC663-45633-00			REC63D-45361-02-4D
40V	1995	1998	REC6H4-45551-00	REC6H4-45560-00	REC6H4-45570-00		REC663-45633-00			REC63D-45361-02-4D
40V EO	2000	2000	REC6H4-45551-00	REC6H4-45560-00	REC6H4-45570-00		REC663-45633-00			REC63D-45361-02-4D
40V EOL	2001	2006	REC6H4-45551-00	REC6H4-45560-00	REC6H4-45570-00		REC663-45633-00			REC63D-45361-02-4D
40V EOS	2001	2006	REC6H4-45551-00	REC6H4-45560-00	REC6H4-45570-00		REC663-45633-00			REC63D-45361-02-4D
40V ETO	2000	2000	REC6H4-45551-00	REC6H4-45560-00	REC6H4-45570-00		REC663-45633-00			REC63D-45361-02-4D
40V ETOL	2001	2003	REC6H4-45551-00	REC6H4-45560-00	REC6H4-45570-00		REC663-45633-00			REC63D-45361-02-4D
40V ETOS	2001	2003	REC6H4-45551-00	REC6H4-45560-00	REC6H4-45570-00		REC663-45633-00			REC63D-45361-02-4D
40V MHOL	2001	2006	REC6H4-45551-00	REC6H4-45560-00	REC6H4-45570-00		REC663-45633-00			REC63D-45361-02-4D
40V MHOS	2001	2006	REC6H4-45551-00	REC6H4-45560-00	REC6H4-45570-00		REC663-45633-00			REC63D-45361-02-4D

MODELO MODEL MODELLO	DESDE FROM DELL' ANNO	HASTA TO ALL' ANNO	PIÑÓN ATAQUE GEAR PIGNONE INNESITO	PIÑÓN AVANTE GEAR FORWARD PIGNONE MARCIA AVANTI	PIÑÓN M. ATRÁS GEAR REVERSE PIGNONE MAR. INDIETRO	PIÑÓN M. ATRÁS GEAR REVERSE PIGNONE MAR. INDIETRO	MUELLE SPRING MOLLA	EJE HÉLICE PROPELLER SHAFT ASSE ELICA	EJE VERTICAL DRIVESHAFT ASSEMBLY ASSE VERT.	DIÁBOLO CARRIER COP. CASSA INGRANAGGI
40V MO	2000	2000	REC6H4-45551-00	REC6H4-45560-00	REC6H4-45570-00		REC663-45633-00			REC63D-45361-02-4D
40X	1998	1998	REC66T-45551-00	REC66T-45560-00	REC66T-45571-00	REC66T-45631-00	REC663-45633-00	REC66T-45611-00	REC66T-45501-10	REC63D-45361-02-4D
40X MH	2000	2000	REC66T-45551-00	REC66T-45560-00	REC66T-45571-00	REC66T-45631-00	REC663-45633-00	REC66T-45611-00	REC66T-45501-10	REC63D-45361-02-4D
40X MHL	2001	2006	REC66T-45551-00	REC66T-45560-00	REC66T-45571-00	REC66T-45631-00	REC663-45633-00	REC66T-45611-00	REC68T-45501-10	REC63D-45361-02-4D
40X MHS	2001	2002	REC66T-45551-00	REC66T-45560-00	REC66T-45571-00	REC66T-45631-00	REC663-45633-00	REC66T-45611-00	REC68T-45501-10	REC63D-45361-02-4D
40X W	2000	2000	REC66T-45551-00	REC66T-45560-00	REC66T-45571-00	REC66T-45631-00	REC663-45633-00	REC66T-45611-00	REC66T-45501-10	REC63D-45361-02-4D
40X WL	2001	2001	REC66T-45551-00	REC66T-45560-00	REC66T-45571-00	REC66T-45631-00	REC663-45633-00	REC66T-45611-00	REC66T-45501-00	REC63D-45361-02-4D
40X WS	2000	2000	REC66T-45551-00	REC66T-45560-00	REC66T-45571-00	REC66T-45631-00	REC663-45633-00	REC66T-45611-00	REC66T-45501-10	REC63D-45361-02-4D
40X WT	2000	2000	REC66T-45551-00	REC66T-45560-00	REC66T-45571-00	REC66T-45631-00	REC663-45633-00	REC66T-45611-00	REC66T-45501-10	REC63D-45361-02-4D
40X WTL	2001	2003	REC66T-45551-00	REC66T-45560-00	REC66T-45571-00	REC66T-45631-00	REC663-45633-00	REC66T-45611-00	REC66T-45501-10	REC63D-45361-02-4D
40Y ETOL	2001	2006	REC6H4-45551-00	REC6H4-45560-00	REC6H4-45570-00		REC663-45633-00			REC63D-45361-02-4D
40Y MHOS										
E40G MH	2003	2003	REC6F5-45551-00	REC6F5-45560-00	REC6F5-45570-00	REC663-45631-00	REC663-45633-00	REC6F6-45611-00	REC676-45501-10 L	REC676-45361-00
E40G MHL	2003	2003	REC6F5-45551-00	REC6F5-45560-00	REC6F5-45570-00	REC663-45631-00	REC663-45633-00	REC6F6-45611-00		REC676-45361-00
E40G MHS	2003	2003	REC6F5-45551-00	REC6F5-45560-00	REC6F5-45570-00	REC663-45631-00	REC663-45633-00	REC6F6-45611-00	REC676-45501-10 L	REC676-45361-00
F40A	1999	1999	REC6H4-45551-00	REC6H4-45560-00	REC6H4-45570-00		REC663-45633-00		REC67C-45501-00 S 16,1"	REC63D-45361-02-4D
F40A ED	1999	1999	REC6K5-45551-00	REC6K5-45560-00	REC6K5-45570-00		REC688-45633-00		REC67C-45501-00 S 16,1"	REC63D-45361-02-4D
F40A EDL	2001	2001	REC6H4-45551-00	REC6H4-45560-00	REC6H4-45570-00		REC688-45633-00		REC67C-45501-10 L 21"	REC63D-45361-02-4D
F40A ET	1999	1999	REC6K5-45551-00	REC6K5-45560-00	REC6K5-45570-00	REC688-45631-00	REC688-45633-00	REC688-45611-00		REC688-45331-00-94
F40A ETL	2001	2002	REC6H4-45551-00	REC6H4-45560-00	REC6H4-45570-00		REC688-45633-00			REC63D-45361-02-4D
F40A ED	1999	1999	REC6H4-45551-00	REC6H4-45560-00	REC6H4-45570-00	REC688-45631-00	REC663-45633-00	REC688-45611-00		REC688-45331-00-94
F40B ED	2000	2001	REC66T-45551-00	REC66T-45560-00	REC66T-45571-00	REC66T-45631-00		REC66T-45611-00	REC67C-45501-00 S 16,1"	REC63D-45361-02-4D
F40B EDL	2001	2006	REC66T-45551-00	REC66T-45560-00	REC66T-45571-00	REC66T-45631-00		REC66T-45611-00	REC67C-45501-10 L 21"	REC63D-45361-02-4D
F40B EDS	2001	2002	REC66T-45551-00	REC66T-45560-00	REC66T-45571-00	REC66T-45631-00		REC66T-45611-00	REC67C-45501-00 S 16,1"	REC63D-45361-02-4D
F40B ET	2000	2001	REC66T-45551-00	REC66T-45560-00	REC66T-45571-00	REC66T-45631-00		REC66T-45611-00	REC67C-45501-10 L 21"	REC63D-45361-02-4D
E40B ETL	2001	2006	REC66T-45551-00	REC66T-45560-00	REC66T-45571-00	REC66T-45631-00		REC66T-45611-00	REC67C-45501-10 L 21"	REC63D-45361-02-4D
F40B ETS	2001	2006	REC66T-45551-00	REC66T-45560-00	REC66T-45571-00	REC66T-45631-00		REC66T-45611-00	REC67C-45501-00 S 16,1"	REC63D-45361-02-4D
F40B MHD	2000	2000	REC66T-45551-00	REC66T-45560-00	REC66T-45571-00	REC66T-45631-00		REC66T-45611-00	REC67C-45501-00 S 16,1"	REC63D-45361-02-4D
F40B MHDL	2001	2006	REC66T-45551-00	REC66T-45560-00	REC66T-45571-00	REC66T-45631-00		REC66T-45611-00	REC67C-45501-10 L 21"	REC63D-45361-02-4D
F40B MHDS	2001	2006	REC66T-45551-00	REC66T-45560-00	REC66T-45571-00	REC66T-45631-00		REC66T-45611-00	REC67C-45501-00 S 16,1"	REC63D-45361-02-4D
F45A	1996	1999	REC6K5-45551-00	REC6K5-45560-00	REC6K5-45570-00	REC688-45631-00	REC688-45633-00	REC688-45611-00		REC688-45331-00-94
F45A ED	2000	2000	REC6K5-45551-00	REC6K5-45560-00	REC6K5-45570-00	REC688-45631-00	REC688-45633-00	REC688-45611-00		REC688-45331-00-94
F45A ET	1984	1990	REC6H4-45551-00	REC6H4-45560-00	REC6H4-45570-00	REC6H4-45631-00	REC663-45633-00	REC679-45611-00		
50D	1991	1993	REC6H4-45551-00	REC6H4-45560-00	REC663-45631-00	REC6H4-45631-00	REC663-45633-00	REC679-45611-00		
50G	1993	1998	REC6K5-45551-00	REC6K5-45560-00		REC663-45631-00	REC688-45633-00	REC697-45611-00		REC688-45331-00-94
50G ETOL	2000	2000	REC6K5-45551-00	REC6K5-45560-00		REC663-45631-00	REC688-45633-00	REC697-45611-00		REC688-45331-00-94
50G ETOL	2001	2006	REC6K5-45551-00	REC6K5-45560-00		REC663-45631-00	REC688-45633-00	REC697-45611-00		REC688-45331-00-94
50H	1995	1998	REC6H4-45551-00	REC6H4-45560-00	REC6H4-45570-00		REC663-45633-00			REC63D-45361-02-4D
50H EDO	2000	2000	REC6H4-45551-00	REC6H4-45560-00	REC6H4-45570-00		REC663-45633-00			REC63D-45361-02-4D
50H EDOL	2001	2002	REC6H4-45551-00	REC6H4-45560-00	REC6H4-45570-00		REC663-45633-00			REC63D-45361-02-4D
50H EDOS										
50H MDO	2000	2000	REC6H4-45551-00	REC6H4-45560-00	REC6H4-45570-00		REC663-45633-00			REC63D-45361-02-4D
50H MO										
F50A	1995	1995	REC6H4-45551-00	REC6H4-45560-00	REC6H4-45570-00		REC663-45633-00			REC63D-45361-02-4D
F50A ED	2000	2000	REC6K5-45551-00	REC6K5-45560-00	REC6K5-45570-00		REC663-45633-00	REC688-45611-00		
F50A EDL	2001	2006	REC6H4-45551-00	REC6H4-45560-00			REC688-45633-00			REC63D-45361-02-4D
F50A ET	2000	2000	REC6K5-45551-00	REC6K5-45560-00	REC6K5-45570-00		REC663-45633-00	REC688-45611-00		
F50A ETL	2001	2006	REC6H4-45551-00	REC6H4-45560-00			REC688-45633-00			REC63D-45361-02-4D
F50B	1996	1997	REC6K5-45551-00	REC6K5-45560-00	REC6K5-45570-00	REC688-45631-00	REC688-45633-00			
F50B	1998	1999	REC6K5-45551-00	REC6K5-45560-00	REC6K5-45570-00					REC688-45331-00-94
F50B ET	2000	2000	REC6K5-45551-00	REC6K5-45560-00	REC6K5-45570-00	REC688-45631-00	REC663-45633-00	REC688-45611-00		REC688-45331-00-94
FT50B	1998	1999	REC6K5-45551-00	REC6K5-45560-00	REC6K5-45570-00	REC688-45631-00	REC688-45633-00	REC688-45611-00		REC688-45331-00-94
FT50B ETL	2001	2002					REC688-45633-00			REC63D-45361-02-4D
FT50C ETL	2002	2006		REC67F-45560-00			REC688-45633-00			
FT50G ETL	2005	2006	REC6K5-45551-00	REC6K5-45560-00			REC688-45633-00			
55B	1993	1998	REC697-45551-00	REC697-45560-00	REC697-45571-00-00	REC663-45631-00	REC663-45633-00	REC697-45611-00	REC663-45510-01 S	REC663-45331-00-94
55B E	1990	1991	REC697-45551-00	REC697-45560-00	REC697-45571-00-00	REC663-45631-00	REC663-45633-00	REC697-45611-00	REC663-45510-01 S	REC663-45331-00-94
55B E	1992	1992	REC697-45551-00	REC697-45560-00	REC697-45571-00-00	REC663-45631-00	REC663-45633-00	REC697-45611-00	REC663-45510-01 S	REC663-45331-00-94
55B EHD	2000	2000	REC697-45551-00	REC697-45560-00	REC697-45571-00-00	REC663-45631-00	REC663-45633-00	REC697-45611-00	REC663-45510-01 S	
55B ET										
55B ETL	2001	2002	REC697-45551-00	REC697-45560-00	REC697-45571-00-00	REC663-45631-00	REC663-45633-00	REC697-45611-00		REC663-45331-00-94
60F	1984	1998	REC6K5-45551-00	REC6K5-45560-00		REC663-45631-00	REC688-45633-00	REC697-45611-00		REC688-45331-00-94
60F EO	2000	2000	REC6K5-45551-00	REC6K5-45560-00		REC663-45631-00	REC688-45633-00	REC697-45611-00		REC688-45331-00-94
60F ETO										

MODELO MODEL MODELLO	DESDE FROM DELL' ANNO	HASTA TO ALL' ANNO	PIÑÓN ATAQUE GEAR PIGNONE INNESTO	PIÑÓN AVANTE GEAR FORWARD PIGNONE MARCIA AVANTI	PIÑÓN M. ATRÁS GEAR REVERSE PIGNONE MAR. INDIETRO	PIÑÓN M. ATRÁS GEAR REVERSE PIGNONE MAR. INDIETRO	MUELLE SPRING MOLLA	EJE HÉLICE PROPELLER SHAFT ASSE ELICA	EJE VERTICAL DRIVESHAFT ASSEMBLY ASSE VERT.	DIÁBOLO CARRIER COP. CASSA INGRANAGGI
60F ETOL	2001	2006	REC6K5-45551-00	REC6K5-45560-00		REC663-45631-00	REC688-45633-00	REC697-45611-00		REC688-45331-00-94
E60H MHD	2001	2006	REC6K5-45551-00	REC6K5-45560-00		REC6H1-45631-00	REC688-45633-00	REC6H1-45611-00	REC69D-45501-10 L 22.5"	REC688-45331-00-94
FT60B ETL	2003	2006	REC6K5-45551-00	REC6K5-45560-00			REC688-45633-00			
FT60D ETL	2005	2006	REC6K5-45551-00	REC6K5-45560-00			REC688-45633-00			
70B	1984	1998	REC6K5-45551-00	REC6K5-45560-00		REC663-45631-00	REC688-45633-00	REC697-45611-00		REC688-45331-00-94
70B EDOL	2001	2001	REC6K5-45551-00	REC6K5-45560-00			REC688-45633-00	REC697-45611-00		REC688-45331-00-94
70B EO	2000	2000	REC6K5-45551-00	REC6K5-45560-00		REC663-45631-00	REC688-45633-00	REC697-45611-00		REC688-45331-00-94
70B ETO	2001	2006	REC6K5-45551-00	REC6K5-45560-00		REC663-45631-00	REC688-45633-00	REC697-45611-00		REC688-45331-00-94
75A	1990	1998	REC688-45551-00	REC688-45560-00	REC688-45571-00-00	REC688-45631-00	REC688-45633-00	REC688-45611-00	REC688-45501-11 L 20.3"	REC688-45331-00-94
75A E	1990	2000	REC688-45551-00	REC688-45560-00	REC688-45571-00-00	REC688-45631-00	REC688-45633-00	REC688-45611-00	REC688-45501-10 S	REC688-45331-00-94
75A EDL	2001	2006	REC688-45551-00	REC688-45560-00	REC688-45571-00-00	REC688-45631-00	REC688-45633-00	REC688-45611-00	REC688-45501-10 S	REC688-45331-00-94
75A EM	1992	1993	REC688-45551-00	REC688-45560-00	REC688-45571-00-00	REC688-45631-00	REC688-45633-00	REC688-45611-00	REC688-45501-11 L 20.3"	REC688-45331-00-94
75A ET	2000	2000	REC688-45551-00	REC688-45560-00	REC688-45571-00-00	REC688-45631-00	REC688-45633-00	REC688-45611-00	REC688-45501-11 L 20.3"	REC688-45331-00-94
75A ETL	2001	2002	REC688-45551-00	REC688-45560-00	REC688-45571-00-00	REC688-45631-00	REC688-45633-00	REC688-45611-00	REC688-45501-11 L 20.3"	REC688-45331-00-94
75A MHD	2000	2000	REC688-45551-00	REC688-45560-00	REC688-45571-00-00	REC688-45631-00	REC688-45633-00	REC688-45611-00	REC688-45501-11 L 20.3"	REC688-45331-00-94
75C ETO	2000	2000	REC688-45551-00	REC688-45560-00	REC688-45571-00-00		REC688-45633-00	REC6H1-45611-00		REC688-45331-00-94
75C ETOL	2001	2006	REC688-45551-00	REC688-45560-00	REC688-45571-00-00		REC688-45633-00	REC6H1-45611-00		REC688-45331-00-94
80A	1985	1996	REC688-45551-00	REC688-45560-00	REC688-45571-00-00	REC6H1-45631-00	REC688-45633-00	REC6H1-45611-00		REC688-45331-00-94
F80A	1999	1999		REC67F-45560-00	REC67F-45570-00		REC688-45633-00		REC67F-45501-10 L 21.1"	
F80A ET	2000	2000		REC67F-45560-00	REC67F-45570-00		REC688-45633-00		REC67F-45501-10 L 21.1"	
F80A ETL	2001	2006		REC67F-45560-00	REC67F-45570-00		REC688-45633-00	REC67F-45611-01	REC67F-45501-10 L 21.1"	
F80A ETX	2001	2001		REC67F-45560-00	REC67F-45570-00		REC688-45633-00	REC67F-45611-01	REC67F-45501-10 L 21.1"	
F80B ETL	2005	2006		REC67F-45560-00	REC67F-45570-00		REC688-45633-00	REC67F-45611-01	REC67F-45501-10 L 21.1"	
85A	1996	1998	REC688-45551-00	REC688-45560-00	REC688-45571-00	REC688-45631-00	REC688-45633-00	REC688-45611-00	REC688-45501-10 S	REC688-45331-00-94
85A E	1990	2000	REC688-45551-00	REC688-45560-00	REC688-45571-00	REC688-45631-00	REC688-45633-00	REC688-45611-00	REC688-45501-10 S	REC688-45331-00-94
85A ET	2000	2000	REC688-45551-00	REC688-45560-00	REC688-45571-00	REC688-45631-00	REC688-45633-00	REC688-45611-00	REC688-45501-10 S	REC688-45331-00-94
85A ETL	2001	2002	REC688-45551-00	REC688-45560-00	REC688-45571-00	REC688-45631-00	REC688-45633-00	REC688-45611-00	REC688-45501-11 L 20.3"	REC688-45331-00-94
90A	1984	1998	REC688-45551-00	REC688-45560-00	REC688-45571-00	REC6H1-45631-01	REC688-45633-00	REC6H1-45611-00		REC688-45331-00-94
90A ETO	2000	2000	REC688-45551-00	REC688-45560-00	REC688-45571-00	REC6H1-45631-01	REC688-45633-00	REC6H1-45611-00		REC688-45331-00-94
90A ETOL	2001	2006	REC688-45551-00	REC688-45560-00	REC688-45571-00	REC6H1-45631-01	REC688-45633-00	REC6H1-45611-00		REC688-45331-00-94
100A	1998	1998	REC6E5-45551-00	REC6E5-45560-00	REC6E5-45571-00	REC6E5-45631-00	REC6E5-45633-01	REC6E5-45611-00	REC6E5-45501-01 L 20.3"	REC6E5-45331-00-94
100A ETO	2000	2000	REC6E5-45551-00	REC6E5-45560-00	REC6E5-45571-00	REC6E5-45631-00	REC6E5-45633-01	REC6E5-45611-00	REC6E5-45501-01 L 20.3"	REC6E5-45331-00-94
100A ETOL	2001	2001	REC6E5-45551-00	REC6E5-45560-00	REC6E5-45571-00	REC6E5-45631-00	REC6E5-45633-01	REC6E5-45611-00		REC6E5-45331-00-94
F100A	1999	1999		REC67F-45560-00	REC67F-45570-00		REC688-45633-00	REC67F-45611-01	REC67F-45501-10 L 21.1"	
F100A ET	2000	2000		REC67F-45560-00	REC67F-45570-00		REC688-45633-00	REC67F-45611-01	REC67F-45501-10 L 21.1"	
F100A ETL	2001	2006		REC67F-45560-00	REC67F-45570-00		REC688-45633-00	REC67F-45611-01		
F100A ETX	2001	2001		REC67F-45560-00	REC67F-45570-00		REC688-45633-00	REC67F-45611-01		
F100B ETX	2005	2006					REC6E5-45633-01	REC6E5-45611-00		REC6E5-45331-00-94
F100D ETL	2005	2006					REC688-45633-00			
115A	1984	1987	REC6E5-45551-00	REC6E5-45560-00	REC6E5-45571-00	REC6E5-45631-00	REC6E5-45633-01	REC6E5-45611-00	REC6E5-45501-01 L 20.3"	REC6E5-45331-00-94
115B	1988	1995	REC6E5-45551-00	REC6E5-45560-00	REC6E5-45571-00	REC6E5-45631-00	REC6E5-45633-01	REC6E5-45611-00	REC6E5-45501-01 L 20.3"	REC6E5-45331-00-94
115B	1996	1996	REC6E5-45551-00	REC6E5-45560-00	REC6E5-45571-00	REC6E5-45631-00	REC6E5-45633-01	REC6E5-45611-00	REC6E5-45501-01 L 20.3"	REC6E5-45331-00-94
155B ETO	1997	1998	REC6E5-45551-00	REC6E5-45560-00	REC6E5-45571-00	REC6E5-45631-00	REC6E5-45633-01	REC6E5-45611-00		REC6E5-45331-00-94
115B ETO	1999	2000	REC6E5-45551-00	REC6E5-45560-00	REC6E5-45571-00	REC6E5-45631-00	REC6E5-45633-01	REC6E5-45611-00	REC6E5-45501-01 L 20.3"	REC6E5-45331-00-94
115B ETOL	2001	2002	REC6E5-45551-00	REC6E5-45560-00	REC6E5-45571-00	REC6E5-45631-00	REC6E5-45633-01	REC6E5-45611-00		REC6E5-45331-00-94
115C	1990	1995	REC6E5-45551-00	REC6E5-45560-00	REC6E5-45571-00	REC6E5-45631-00	REC6E5-45633-01	REC6E5-45611-00	REC6E5-45501-01 L 20.3"	REC6E5-45331-00-94
115C	1995	1998	REC6E5-45551-00	REC6E5-45560-00	REC6E5-45571-00	REC6E5-45631-00	REC6E5-45633-01	REC6E5-45611-00	REC6E5-45501-01 L 20.3"	
115C ETO	2000	2000	REC6E5-45551-00	REC6E5-45560-00	REC6E5-45571-00	REC6E5-45631-00	REC6E5-45633-01	REC6E5-45611-00		REC6E5-45331-00-94
115C ETOL	2001	2006	REC6E5-45551-00	REC6E5-45560-00	REC6E5-45571-00	REC6E5-45631-00	REC6E5-45633-01	REC6E5-45611-00		REC6E5-45331-00-94
115C ETOX	2001	2002	REC6E5-45551-00	REC6E5-45560-00	REC6E5-45571-00	REC6E5-45631-00	REC6E5-45633-01	REC6E5-45611-00		REC6E5-45331-00-94
F115A ET	2000	2000					REC6E5-45633-01	REC6E5-45611-00		REC6E5-45331-00-94
F115A ETL	2001	2006					REC6E5-45633-01	REC6E5-45611-00		REC6E5-45331-00-94









MODELO MODEL MODELLO	DESDE FROM ANNO	HASTA TO ALL' ANNO	PIÑÓN ATAQUE GEAR PIGNONE INNESTO	PIÑÓN AVANTE GEAR FORWARD PIGNONE MARCIA AVANTI	PIÑÓN M. ATRÁS GEAR REVERSE PIGNONE MAR. INDIETRO	PIÑÓN M. ATRÁS GEAR REVERSE PIGNONE MAR. INDIETRO	MUELLE SPRING MOLLA	EJE HÉLICE PROPELLER SHAFT ASSE ELICA	EJE VERTICAL DRIVESHAFT ASSEMBLY ASSE VERT.	DIÁBOLO CARRIER COP. CASSA INGRANAGGI
FL115A ET	2000	2000					REC6E5-45633-01	REC6E5-45611-00		REC6E5-45331-00-94
FL115A ETX	2001	2006					REC6E5-45633-01	REC6E5-45611-00		REC6E5-45331-00-94
130B	1990	1994	REC6E5-45551-00	REC6E5-45560-00	REC6E5-45571-00	REC6E5-45631-00	REC6E5-45633-01	REC6E5-45611-00		REC6E5-45331-00-94
130B	1995	1999	REC6E5-45551-00	REC6E5-45560-00	REC6E5-45571-00	REC6E5-45631-00	REC6E5-45633-01	REC6E5-45611-00		REC6E5-45331-00-94
130B ETO	2000	2000	REC6E5-45551-00	REC6E5-45560-00	REC6E5-45571-00	REC6E5-45631-00	REC6E5-45633-01	REC6E5-45611-00	REC6E5-45501-01 L 20.3"	REC6E5-45331-00-94
130B ETOL	2001	2006	REC6E5-45551-00	REC6E5-45560-00	REC6E5-45571-00	REC6E5-45631-00	REC6E5-45633-01	REC6E5-45611-00		REC6E5-45331-00-94
130B ETOX	2001	2001	REC6E5-45551-00	REC6E5-45560-00	REC6E5-45571-00	REC6E5-45631-00	REC6E5-45633-01	REC6E5-45611-00		REC6E5-45331-00-94
L130B	1991	1994	REC6E5-45551-00	REC6E5-45560-00	REC6E5-45571-00	REC6E5-45631-00	REC6E5-45633-01	REC6E5-45611-00	REC6E5-45501-01 L 20.3"	REC6E5-45331-00-94
L130B	1995	1998	REC6E5-45551-00	REC6E5-45560-00	REC6E5-45571-00	REC6E5-45631-00	REC6E5-45633-01	REC6E5-45611-00	REC6E5-45501-01 L 20.3"	REC6E5-45331-00-94
L130B ETO	2000	2000	REC6E5-45551-00	REC6E5-45560-00	REC6E5-45571-00	REC6E5-45631-00	REC6E5-45633-01	REC6E5-45611-00	REC6E5-45501-01 L 20.3"	REC6E5-45331-00-94
L130B ETOX	2001	2001	REC6E5-45551-00	REC6E5-45560-00	REC6E5-45571-00	REC6E5-45631-00	REC6E5-45633-01			REC6E5-45331-00-94
140A	1984	1987	REC6E5-45551-00	REC6E5-45560-00	REC6E5-45571-00	REC6E5-45631-00	REC6E5-45633-01	REC6E5-45611-00	REC6E5-45501-01 L 20.3"	REC6E5-45331-00-94
140B	1988	1989	REC6E5-45551-00	REC6E5-45560-00	REC6E5-45571-00	REC6E5-45631-00	REC6E5-45633-01	REC6E5-45611-00		REC6E5-45331-00-94
L140B	1989	1989	REC6E5-45551-00	REC6E5-45560-00	REC6E5-45571-00	REC6E5-45631-00	REC6E5-45633-01			
150A	1984	1989	REC6G5-45551-00	REC6G5-45560-00	REC6G5-45570-00	REC6G5-45631-00	REC6E5-45633-01	REC6E5-45611-00		
150A ET	1998	2000	REC6G5-45551-00	REC6G5-45560-00	REC6G5-45570-00	REC6G5-45631-00	REC6E5-45633-01		REC6G5-45501-21 XL 25.3"	REC6J9-45332-00-CA
150A ETO	1986	1987	REC6G5-45551-00	REC6G5-45560-00	REC6G5-45570-00	REC6G5-45631-00	REC6E5-45633-01	REC6J9-45611-00		REC6J9-45332-00-CA
150A ETL 150A ETX	2001	2002	REC6G5-45551-00	REC6G5-45560-00	REC6G5-45570-00	REC6G5-45631-00	REC6E5-45633-01	REC6J9-45611-00	REC6G5-45501-21 XL 25.3"	REC6J9-45332-00-CA
150C	1990	1994	REC6G5-45551-00	REC6G5-45560-00	REC6G5-45570-00	REC6G5-45631-00	REC6E5-45633-01	REC6J9-45611-00	REC6G5-45501-21 XL 25.3"	REC6J9-45332-00-CA
150C	1995	1995	REC6G5-45551-00	REC6G5-45560-00	REC6G5-45570-00	REC6G5-45631-00	REC6E5-45633-01	REC6J9-45611-00	REC6G5-45501-21 XL 25.3"	REC6J9-45332-00-CA
150F	1996	1998	REC6G5-45551-00	REC6G5-45560-00	REC6G5-45570-00	REC6G5-45631-00	REC6E5-45633-01	REC6J9-45611-00	REC6G5-45501-21 XL 25.3"	REC6J9-45332-00-CA
150F	1997	1998	REC6G5-45551-00	REC6G5-45560-00	REC6G5-45570-00	REC6G5-45631-00	REC6E5-45633-01	REC6J9-45611-00	REC6G5-45501-21 XL 25.3"	REC6J9-45332-00-CA
150F ETO	2000	2000	REC6G5-45551-00	REC6G5-45560-00	REC6G5-45570-00	REC6G5-45631-00	REC6E5-45633-01	REC6J9-45611-00	REC6G5-45501-21 XL 25.3"	REC6J9-45332-00-CA
150F ETOL 150F ETOX	2001	2006	REC6G5-45551-00	REC6G5-45560-00	REC6G5-45570-00	REC6G5-45631-00	REC6E5-45633-01	REC6J9-45611-00	REC6G5-45501-21 XL 25.3"	REC6J9-45332-00-CA
F150A ETL F150A ETX FL150A ETL FL150A ETX	2004	2006					REC6E5-45633-01	REC6J9-45611-00		REC6J9-45332-00-CA
L150A L150A ETO	1988	1989	REC6G5-45551-00	REC6G5-45560-00	REC6G5-45570-00	REC6G5-45631-00	REC6E5-45633-01		REC6G5-45501-21 XL 25.3"	
L150C	1990	1994	REC6G5-45551-00	REC6G5-45560-00	REC6G5-45570-00	REC6G5-45631-00	REC6E5-45633-01	REC6J9-45611-00	REC6G5-45501-21 XL 25.3"	REC6J9-45332-00-CA
L150C	1995	1995	REC6G5-45551-00	REC6G5-45560-00	REC6G5-45570-00	REC6G5-45631-00	REC6E5-45633-01	REC6J9-45611-00	REC6G5-45501-21 XL 25.3"	REC6J9-45332-00-CA
L150F	1996	1998	REC6G5-45551-00	REC6G5-45560-00	REC6G5-45570-00	REC6G5-45631-00	REC6E5-45633-01	REC6J9-45611-00	REC6G5-45501-21 XL 25.3"	REC6J9-45332-00-CA
L150F ETO	2000	2001	REC6G5-45551-00	REC6G5-45560-00	REC6G5-45570-00	REC6G5-45631-00	REC6E5-45633-01	REC6J9-45611-00	REC6G5-45501-21 XL 25.3"	REC6J9-45332-00-CA
L150F ETOL L150F ETOX	2001	2001	REC6G5-45551-00	REC6G5-45560-00	REC6G5-45570-00	REC6G5-45631-00	REC6E5-45633-01	REC6J9-45611-00	REC6G5-45501-21 XL 25.3"	REC6J9-45332-00-CA
LZ150P ETO	2000	2006	REC6G5-45551-00	REC6G5-45560-00	REC6G5-45570-00	REC6G5-45631-00	REC6E5-45633-01	REC6J9-45611-00	REC6G5-45501-21 XL 25.3"	REC6J9-45332-00-CA
Z150P ETO	2000	2000	REC6G5-45551-00	REC6G5-45560-00	REC6G5-45570-00	REC6G5-45631-00	REC6E5-45633-01	REC6J9-45611-00	REC6G5-45501-21 XL 25.3"	REC6J9-45332-00-CA
Z150P ETOL Z150P ETOX	2001	2006	REC6G5-45551-00	REC6G5-45560-00	REC6G5-45570-00	REC6G5-45631-00	REC6E5-45633-01	REC6J9-45611-00	REC6G5-45501-21 XL 25.3"	REC6J9-45332-00-CA
Z150Q ETO Z150Q ETOL	2000 1984	2000 1989				REC6G5-45631-00	REC6E5-45633-01	REC6J9-45611-00		REC6J9-45332-00-CA
175A	1986	1987	REC6G5-45551-00	REC6G5-45560-00	REC6G5-45570-00	REC6G5-45631-00	REC6E5-45633-01	REC6E5-45611-00		
175A ETO	1990	1994	REC6G5-45551-00	REC6G5-45560-00	REC6G5-45570-00	REC6G5-45631-00	REC6E5-45633-01	REC6E5-45611-00		
175B	1995	1995	REC6G5-45551-00	REC6G5-45560-00	REC6G5-45570-00	REC6G5-45631-00	REC6E5-45633-01	REC6J9-45611-00	REC6G5-45501-21 XL 25.3"	REC6J9-45332-00-CA
175B	1996	1998	REC6G5-45551-00	REC6G5-45560-00	REC6G5-45570-00	REC6G5-45631-00	REC6E5-45633-01	REC6J9-45611-00	REC6G5-45501-21 XL 25.3"	REC6J9-45332-00-CA
175D	2000	2000	REC6G5-45551-00	REC6G5-45560-00	REC6G5-45570-00	REC6G5-45631-00	REC6E5-45633-01	REC6J9-45611-00	REC6G5-45501-21 XL 25.3"	REC6J9-45332-00-CA
175D ETO	2001	2003	REC6G5-45551-00	REC6G5-45560-00	REC6G5-45570-00	REC6G5-45631-00	REC6E5-45633-01	REC6J9-45611-00	REC6G5-45501-21 XL 25.3"	REC6J9-45332-00-CA
175D ETOL	2001	2002	REC6G5-45551-00	REC6G5-45560-00	REC6G5-45570-00	REC6G5-45631-00	REC6E5-45633-01	REC6J9-45611-00	REC6G5-45501-21 XL 25.3"	REC6J9-45332-00-CA
175D ETOX	2001	2006	REC6G5-45551-00	REC6G5-45560-00	REC6G5-45570-00	REC6G5-45631-00	REC6E5-45633-01	REC6J9-45611-00	REC6G5-45501-21 XL 25.3"	REC6J9-45332-00-CA
Z175G ETOX	2001	2001	REC6G5-45551-00	REC6G5-45560-00	REC6G5-45570-00	REC6G5-45631-00	REC6E5-45633-01	REC6J9-45611-00	REC6G5-45501-21 XL 25.3"	REC6J9-45332-00-CA
Z175H ETOL	1984	1989				REC6G5-45631-00	REC6E5-45633-01	REC6J9-45611-00	REC6G5-45501-21 XL 25.3"	REC6J9-45332-00-CA
200A	1986	1987	REC6G5-45551-00	REC6G5-45560-00	REC6G5-45570-00	REC6G5-45631-00	REC6E5-45633-01	REC6J9-45611-00		
200A ETO	1990	1994	REC6G5-45551-00	REC6G5-45560-00	REC6G5-45570-00	REC6G5-45631-00	REC6E5-45633-01	REC6J9-45611-00	REC6G5-45501-21 XL 25.3"	REC6J9-45332-00-CA
200B	1990	1995	REC6G5-45551-00	REC6G5-45560-00	REC6G5-45570-00	REC6G5-45631-00	REC6E5-45633-01	REC6J9-45611-00	REC6G5-45501-21 XL 25.3"	REC6J9-45332-00-CA

MODELO MODEL MODELLO	DESDE FROM DELL' ANNO	HASTA TO ALL' ANNO	PIÑÓN ATAQUE GEAR PIGNONE INNESTO	PIÑÓN AVANTE GEAR FORWARD PIGNONE MARCIA AVANTI	PIÑÓN M. ATRÁS GEAR REVERSE PIGNONE MAR. INDIETRO	PIÑÓN M. ATRÁS GEAR REVERSE PIGNONE MAR. INDIETRO	MUELLE SPRING MOLLA	EJE HÉLICE PROPELLER SHAFT ASSE ELICA	EJE VERTICAL DRIVESHAFT ASSEMBLY ASSE VERT.	DIÁBOLO CARRIER COP. CASSA INGRANAGGI
200F	1996	1998	REC6G5-45551-00	REC6G5-45560-00	REC6G5-45570-00	REC6G5-45631-00	REC6E5-45633-01	REC6J9-45611-00	REC6G5-45501-21 XL 25,3"	REC6J9-45332-00-CA
200F ETO	2000	2000	REC6G5-45551-00	REC6G5-45560-00	REC6G5-45570-00	REC6G5-45631-00	REC6E5-45633-01	REC6J9-45611-00	REC6G5-45501-21 XL 25,3"	REC6J9-45332-00-CA
200F ETOL 200F ETOX	2001	2006	REC6G5-45551-00	REC6G5-45560-00	REC6G5-45570-00	REC6G5-45631-00	REC6E5-45633-01	REC6J9-45611-00	REC6G5-45501-21 XL 25,3"	REC6J9-45332-00-CA
200G	1999	1999				REC6G5-45631-00	REC6E5-45633-01	REC6J9-45611-00		REC6J9-45332-00-CA
200G ETO	2000	2000				REC6G5-45631-00	REC6E5-45633-01	REC6J9-45611-00		REC6J9-45332-00-CA
200G ETOL	2001	2003				REC6G5-45631-00	REC6E5-45633-01	REC6J9-45611-00	REC6G5-45501-21 XL 25,3"	REC6J9-45332-00-CA
F200A ETX	2002	2006				REC6J9-45631-00	REC61A-45633-00	REC6J9-45611-00		
F200C ETX	2006	2006				REC6J9-45631-00	REC61A-45633-00	REC6J9-45611-00		
FL200A ETX	2002	2006				REC6J9-45631-00	REC61A-45633-00	REC6J9-45611-00		
FL200C ETX	2006	2006				REC6J9-45631-00	REC61A-45633-00	REC6J9-45611-00		
L200A	1988	1989	REC6G5-45551-00	REC6G5-45560-00	REC6G5-45570-00	REC6G5-45631-00	REC6E5-45633-01			
L200B	1990	1994	REC6G5-45551-00	REC6G5-45560-00	REC6G5-45570-00	REC6G5-45631-00	REC6E5-45633-01	REC6J9-45611-00	REC6G5-45501-21 XL 25,3"	REC6J9-45332-00-CA
L200B	1995	1995	REC6G5-45551-00	REC6G5-45560-00	REC6G5-45570-00	REC6E5-45631-00	REC6E5-45633-01	REC6J9-45611-00	REC6G5-45501-21 XL 25,3"	REC6J9-45332-00-CA
L200F	1996	1998	REC6G5-45551-00	REC6G5-45560-00	REC6G5-45570-00	REC6G5-45631-00	REC6E5-45633-01	REC6J9-45611-00	REC6G5-45501-21 XL 25,3"	REC6J9-45332-00-CA
L200F ETO	2000	2000	REC6G5-45551-00	REC6G5-45560-00	REC6G5-45570-00	REC6G5-45631-00	REC6E5-45633-01	REC6J9-45611-00	REC6G5-45501-21 XL 25,3"	REC6J9-45332-00-CA
L200F ETOL	2001	2006	REC6G5-45551-00	REC6G5-45560-00	REC6G5-45570-00	REC6G5-45631-00	REC6E5-45633-01	REC6J9-45611-00	REC6G5-45501-21 XL 25,3"	REC6J9-45332-00-CA
FL200F ETOX	2001	2001	REC6G5-45551-00	REC6G5-45560-00	REC6G5-45570-00	REC6G5-45631-00	REC6E5-45633-01	REC6J9-45611-00	REC6G5-45501-21 XL 25,3"	REC6J9-45332-00-CA
LZ200N ETC	2001	2007	REC6G5-45551-00	REC6G5-45560-00	REC6G5-45570-00	REC6G5-45631-00	REC6E5-45633-01	REC6J9-45611-00	REC6G5-45501-21 XL 25,3"	REC6J9-45332-00-CA
Z200N ETO	2000	2000	REC6G5-45551-00	REC6G5-45560-00	REC6G5-45570-00	REC6G5-45631-00	REC6E5-45633-01	REC6J9-45611-00	REC6G5-45501-21 XL 25,3"	REC6J9-45332-00-CA
Z200N ETOL	2001	2006	REC6G5-45551-00	REC6G5-45560-00	REC6G5-45570-00	REC6G5-45631-00	REC6E5-45633-01	REC6J9-45611-00	REC6G5-45501-21 XL 25,3"	REC6J9-45332-00-CA
Z200N ETOX	2001	2006	REC6G5-45551-00	REC6G5-45560-00	REC6G5-45570-00	REC6G5-45631-00	REC6E5-45633-01	REC6J9-45611-00	REC6G5-45501-21 XL 25,3"	REC6J9-45332-00-CA
Z200P ETOL	2003	2006	REC6G5-45551-00	REC6G5-45560-00	REC6G5-45570-00	REC6G5-45631-00	REC6E5-45633-01	REC6J9-45611-00	REC6G5-45501-21 XL 25,3"	REC6J9-45332-00-CA
220A	1984	1986				REC6G5-45631-00	REC6E5-45633-01	REC6E5-45611-00	REC6G5-45501-21 XL 25,3"	REC6J9-45332-00-CA
225A	1987	1989					REC6E5-45633-01	REC6J9-45611-00	REC6G5-45501-21 XL 25,3"	REC6J9-45332-00-CA
225B	1990	1994				REC6G5-45631-00	REC6E5-45633-01	REC6J9-45611-00	REC6G5-45501-21 XL 25,3"	REC6J9-45332-00-CA
225B	1995	1995				REC6G5-45631-00	REC6E5-45633-01	REC6J9-45611-00	REC6G5-45501-21 XL 25,3"	REC6J9-45332-00-CA
225D	1996	1998				REC6G5-45631-00	REC6E5-45633-01	REC6E5-45611-00	REC6G5-45501-21 XL 25,3"	REC6J9-45332-00-CA
225D ETO	2000	2000				REC6G5-45631-00	REC6E5-45633-01	REC6J9-45611-00	REC6G5-45501-21 XL 25,3"	REC6J9-45332-00-CA
225D ETOL 225D ETOX	2001	2003				REC6G5-45631-00	REC6E5-45633-01	REC6J9-45611-00	REC6G5-45501-21 XL 25,3"	REC6J9-45332-00-CA
225G ETOL	2001	2003				REC6G5-45631-00	REC6E5-45633-01	REC6J9-45611-00		REC6J9-45332-00-CA

GUÍA RODAMIENTOS COLA STERN DRIVE BEARING APPLICATIONS GUIDA CUSCINETTI TRASMISSIONE









MODELO MODEL MODELLO	DESDE FROM DELL' ANNO	HASTA TO ALL' ANNO	AGUJA EJE COLA CYLIND. DRIVE SHAFT CUSCINETTO INF. ASSE VERT.	RODILLOS EJE VERT. ROLL BEAR DRIVE SHAFT CUS. INTERNO ASSE VERTICALE	PIÑÓN ATAQUE ROLL. BEARING GEAR CUS. PIGNONE INNESTO	AGUJAS DIÁBOLO CYL. CUS. CARRIER COP. CASSA INGRANAGGI	AGUJAS M. AVAN CYL. GEAR FW CUS. A RULLI FIG. M. AVANTI	ROD. PIÑÓN M. AVAN. ROLL BEAR GEAR FW CUS. CONICI FIG. M. AVANTI	AGUJAS M. ATRÁS CYL. GEAR R.V. CUS. CONICI FIG. M. INDIETRO	PIÑÓN M. ATRÁS BALLS GEAR R.V. CUS. PIGNONE M. INDIETRO
F8A	1986	1989								
F8B	1985	1999	REC93315-314V8		REC93341-214U1	REC93315-317U2		REC93332-00005		REC93306-00501
F8B E F8B EH F8B MH	1999	1999	REC93315-314V8		REC93341-414V1	REC93315-317U2		REC93332-00005		REC93306-00501
FT8D EL FT8D EPL	2001	2004	REC93315-314V8		REC93341-414V1	REC93315-317U2		REC93332-00005		REC93306-00501
FT8D EPX	2001	2002	REC93315-314V8		REC93341-414V1	REC93315-317U2		REC93332-00005		REC93306-00501
FT8D EX FT8D MHL FT8D MHX	2001	2004	REC93315-314V8		REC93341-414V1	REC93315-317U2		REC93332-00005		REC93306-00501
9.9D	1985	1989	REC93315-314V8		REC93341-141U1	REC93315-317U2		REC93332-00005		REC93306-00501
9.9D	1985	1995	REC93315-314V8		REC93341-214U1	REC93315-317U2		REC93332-00005		REC93306-00501
9.9D	1990	1995	REC93315-314V8		REC93341-414V1	REC93315-317U2		REC93332-00005		REC93306-00519
9.9F	1995	1999	REC93315-314V8		REC93341-414V1	REC93315-317U2		REC93332-00005		REC93306-00501
9.9F MH	2000	2000	REC93315-314V8		REC93341-414V1	REC93315-317U2		REC93332-00005		REC93306-00501
9.9F MHL 9.9F MHS	2001	2006	REC93315-314V8		REC93341-414V1	REC93315-317U2		REC93332-00005		REC93306-00501









MODELO MODEL MODELLO	DESDE FROM DELL' ANNO	HASTA TO ALL' ANNO	AGUJA EJE COLA CYLIND. DRIVE SHAFT CUSCINETTO INF. ASSE VERT.	RODILLOS EJE VERT. ROLL BEAR DRIVE SHAFT CUS. INTERNO ASSE VERTICALE	PIÑÓN ATAQUE ROLL. BEARING GEAR CUS. PIGNONE INNESTO	AGUJAS DIABOLO CYL. CUS. CARRIER COP. CASSA INGRANAGGI	AGUJAS M. AVAN CYL. GEAR FW CUS. A RULLI PIG. M. AVANTI	ROD. PIÑÓN M. AVAN. ROLL BEAR GEAR FW CUS. CONICI PIG. M. AVANTI	AGUJAS M. ATRÁS CYL. GEAR R.V. CUS. CONICI PIG. M. INDIETRO	PIÑÓN M. ATRÁS BALLS GEAR R.V. CUS. PIGNONE M. INDIETRO
9.9F WC	2000	2000	REC93315-314V8		REC93341-414V1	REC93315-317U2		REC93332-00005		REC93306-00501
9.9F WH	2001	2001	REC93315-314V8		REC93341-41414	REC93315-317U2		REC93332-00005		REC93306-00501
9.9F WHL	2001	2001	REC93315-314V8		REC93341-41414	REC93315-317U2		REC93332-00005		REC93306-00501
9.9F WHS	2001	2001	REC93315-314V8		REC93341-41414	REC93315-317U2		REC93332-00005		REC93306-00501
F9.9B	1985	1997	REC93315-314V8		REC93341-214U1	REC93315-317U2		REC93332-00005		REC93306-00501
F9.9B E	1999	1999	REC93315-314V8		REC93341-414V1	REC93315-317U2		REC93332-00005		REC93306-00501
F9.9B EH	1999	1999	REC93315-314V8		REC93341-414V1	REC93315-317U2		REC93332-00005		REC93306-00501
F9.9B MH	1999	1999	REC93315-314V8		REC93341-414V1	REC93315-317U2		REC93332-00005		REC93306-00501
F9.9C	1998	1998	REC93315-314V8		REC93341-414V1	REC93315-317U2		REC93332-00005		REC93306-00501
F9.9C E	2000	2000	REC93315-314V8		REC93341-414V1	REC93315-317U2		REC93332-00005		REC93306-00501
F9.9C EH	2000	2000	REC93315-314V8		REC93341-414V1	REC93315-317U2		REC93332-00005		REC93306-00501
F9.9C EL	2001	2006	REC93315-314V8		REC93341-41414	REC93315-317U2		REC93332-00005		REC93306-00501
F9.9C ES	2001	2006	REC93315-314V8		REC93341-41414	REC93315-317U2		REC93332-00005		REC93306-00501
F9.9C MH	2000	2000	REC93315-314V8		REC93341-414V1	REC93315-317U2		REC93332-00005		REC93306-00501
F9.9C MHL	2001	2006	REC93315-314V8		REC93341-41414	REC93315-317U2		REC93332-00005		REC93306-00501
F9.9C MHS	2001	2006	REC93315-314V8		REC93341-41414	REC93315-317U2		REC93332-00005		REC93306-00501
FT9.9A	1999	1999				REC93315-317U2		REC93332-00005		REC93306-00501
FT9.9D	1999	1999	REC93315-314V8		REC93341-414V1	REC93315-317U2		REC93332-00005		REC93306-00501
FT9.9D E	2000	2000	REC93315-314V8		REC93341-414V1	REC93315-317U2		REC93332-00005		REC93306-00501
FT9.9D EH	2000	2000	REC93315-314V8		REC93341-414V1	REC93315-317U2		REC93332-00005		REC93306-00501
FT9.9D EHL	2001	2001	REC93315-314V8		REC93341-414V1	REC93315-317U2		REC93332-00005		REC93306-00501
FT9.9D EHX	2001	2001	REC93315-314V8		REC93341-414V1	REC93315-317U2		REC93332-00005		REC93306-00501
FT9.9D EL	2001	2006	REC93315-314V8		REC93341-414V1	REC93315-317U2		REC93332-00005		REC93306-00501
FT9.9D EP	2000	2000	REC93315-314V8		REC93341-414V1	REC93315-317U2		REC93332-00005		REC93306-00501
FT9.9D EPL	2001	2002	REC93315-314V8		REC93341-414V1	REC93315-317U2		REC93332-00005		REC93306-00501
FT9.9D EPX	2001	2002	REC93315-314V8		REC93341-414V1	REC93315-317U2		REC93332-00005		REC93306-00501
FT9.9D ES	2001	2001	REC93315-314V8		REC93341-414V1	REC93315-317U2		REC93332-00005		REC93306-00501
FT9.9D EX	2001	2006	REC93315-314V8		REC93341-414V1	REC93315-317U2		REC93332-00005		REC93306-00501
FT9.9D MH	2000	2000	REC93315-314V8		REC93341-414V1	REC93315-317U2		REC93332-00005		REC93306-00501
FT9.9D MHL	2001	2006	REC93315-314V8		REC93341-414V1	REC93315-317U2		REC93332-00005		REC93306-00501
FT9.9D MHX	2001	2001	REC93315-314V8		REC93341-414V1	REC93315-317U2		REC93332-00005		REC93306-00501
13.5A	1999	1999	REC93315-314V8		REC93341-414V1	REC93315-317U2		REC93332-00005		REC93306-00501
13.5A MH	2000	2000	REC93315-314V8		REC93341-414V1	REC93315-317U2		REC93332-00005		REC93306-00501
13.5A MHL	2001	2004	REC93315-314V8		REC93341-41414	REC93315-317U2		REC93332-00005		REC93306-00501
13.5A MHS	2001	2004	REC93315-314V8		REC93341-41414	REC93315-317U2		REC93332-00005		REC93306-00501
13.5A WH	2000	2000	REC93315-314V8		REC93341-414V1	REC93315-317U2		REC93332-00005		REC93306-00501
F13.5A EHL	2005	2006	REC93315-314V8			REC93315-317U2		REC93332-00005		REC93306-00501
F13.5A EPL	2005	2005	REC93315-314V8		REC93341-41414	REC93315-317U2		REC93332-00005		REC93306-00501
F13.5A EPS	2005	2005	REC93315-314V8			REC93315-317U2		REC93332-00005		REC93306-00501
F13.5A MH	2001	2001	REC93315-314V8			REC93315-317U2				REC93306-00501
F13.5A MHL	2002	2006	REC93315-314V8		REC93341-41414	REC93315-317U2		REC93332-00005		REC93306-00501
F13.5A MHS	2002	2006	REC93315-314V8		REC93341-41414	REC93315-317U2		REC93332-00005		REC93306-00501
15D	1985	1989	REC93315-314V8		REC93341-214U1	REC93315-317U2		REC93332-00005		REC93306-00501
15D	1985	1995	REC93315-314V8		REC93341-214U1	REC93315-317U2		REC93332-00005		REC93306-00501
15D	1990	1995	REC93315-314V8		REC93341-414V1	REC93315-317U2		REC93332-00005		REC93306-00501
15F	1995	1999	REC93315-314V8		REC93341-414V1	REC93315-317U2		REC93332-00005		REC93306-00501
15F MH	2000	2000	REC93315-314V8		REC93341-414V1	REC93315-317U2		REC93332-00005		REC93306-00501
15F MHL	2001	2006	REC93315-314V8		REC93341-41414	REC93315-317U2		REC93332-00005		REC93306-00501
15F MHS	2001	2006	REC93315-314V8		REC93341-41414	REC93315-317U2		REC93332-00005		REC93306-00501
15F WC	2000	2000	REC93315-314V8		REC93341-414V1	REC93315-317U2		REC93332-00005		REC93306-00501
15F WCL	2001	2003	REC93315-314V8		REC93341-41414	REC93315-317U2		REC93332-00005		REC93306-00501
15F WCS	2001	2002	REC93315-314V8		REC93341-41414	REC93315-317U2		REC93332-00005		REC93306-00501
F15A	1998	1998	REC93315-314V8		REC93341-414V1	REC93315-317U2		REC93332-00005		REC93306-00501
F15A E	1998	2000	REC93315-314V8		REC93341-414V1	REC93315-317U2		REC93332-00005		REC93306-00501
F15A EH	1998	2000	REC93315-314V8		REC93341-414V1	REC93315-317U2		REC93332-00005		REC93306-00501
F15A EHS	2001	2006	REC93315-314V8		REC93341-41414	REC93315-317U2		REC93332-00005		REC93306-00501
F15A EHL	2001	2006	REC93315-314V8		REC93341-41414	REC93315-317U2		REC93332-00005		REC93306-00501
F15A EL	2001	2006	REC93315-314V8		REC93341-41414	REC93315-317U2		REC93332-00005		REC93306-00501
F15A EP	2000	2000	REC93315-314V8		REC93341-414V1	REC93315-317U2		REC93332-00005		REC93306-00501
F15A EPL	2001	2006	REC93315-314V8		REC93341-41414	REC93315-317U2		REC93332-00005		REC93306-00501
F15A EPS	2001	2006	REC93315-314V8		REC93341-41414	REC93315-317U2		REC93332-00005		REC93306-00501
F15A ES	2001	2006	REC93315-314V8		REC93341-41414	REC93315-317U2		REC93332-00005		REC93306-00501
F15A MH	1998	2000	REC93315-314V8		REC93341-41414	REC93315-317U2		REC93332-00005		REC93306-00501
F15A MHL	2001	2006	REC93315-314V8		REC93341-41414	REC93315-317U2		REC93332-00005		REC93306-00501
F15A MHS	2001	2006	REC93315-314V8		REC93341-41414	REC93315-317U2		REC93332-00005		REC93306-00501
20C	1985	1985	REC93315-017U4			REC93315-22004		REC93332-00005		REC93306-00612
20C	1986	1993	REC93315-017U4			REC93315-22004		REC93332-00005		REC93306-00612
20C	1993	1993	REC93315-017U4			REC93315-22004		REC93332-00005		REC93306-00612
20C M	1990	1997	REC93315-017U4			REC93315-22004		REC93332-00005		REC93306-00612
20C MH	1998	1998	REC93315-017U4			REC93315-22004		REC93332-00005		REC93306-00612
20C MHL	2001	2002	REC93315-017U4			REC93315-22004		REC93332-00005		REC93306-00612
20C MHS	2001	2002	REC93315-017U4			REC93315-22004		REC93332-00005		REC93306-00612
20D	1988	1998		REC93315-22004		REC93315-22004		REC93332-00005		REC93306-00612
20D MHOL	2001	2006		REC93315-22004		REC93315-22004		REC93332-00005		REC93306-00612
20D MHOS	2001	2006		REC93315-22004		REC93315-22004		REC93332-00005		REC93306-00612









MODELO MODEL MODELLO	DESDE FROM DELL' ANNO	HASTA TO ALL' ANNO	AGUJA EJE COLA CYLIND. DRIVE SHAFT CUSCINETTO INF. ASSE VERT. 	RODILLOS EJE VERT. ROLL BEAR DRIVE SHAFT CUS. INTERNO ASSE VERTICALE 	PIÑÓN ATAQUE ROLL. BEARING GEAR CUS. PIGNONE INNESTO 	AGUJAS DIABOLO CYL. CUS. ARRIFFER COP. CASSA INGRANAGGI 	AGUJAS M. AVAN CYL. GEAR FW CUS. A RULLI FIG. M. AVANTI 	ROD. PIÑÓN M. AVAN. ROLL BEAR GEAR FW CUS. CONICI FIG. M. AVANTI 	AGUJAS M. ATRÁS CYL. GEAR R.V. CUS. CONICI FIG. M. INDIETRO 	PIÑÓN M. ATRÁS BALLS GEAR R.V. CUS. PIGNONE M. INDIETRO 
20D WOL	2001	-		REC93315-22004		REC93315-22004		REC93332-00005		REC93306-00612
20D WOS	2001	-		REC93315-22004		REC93315-22004		REC93332-00005		REC93306-00612
F20A	1998	1999	REC93315-220V7	REC93332-000W5		REC93315-22004		REC93332-00005		REC93306-00612
F20A E	2000	2000		REC93332-000W5		REC93315-22004		REC93332-00005		REC93306-00612
F20A EH	2000	2000	REC93315-220V7	REC93332-000W5		REC93315-22004		REC93332-00005		REC93306-00612
F20A EHS	2001	2001	REC93315-220V7			REC93315-22004		REC93332-00005		REC93306-00612
F20A EL	2001	2001	REC93315-220V7	REC93332-000W5		REC93315-22004		REC93332-00005		REC93306-00612
F20A ES	2001	2006	REC93315-220V7	REC93332-000W5		REC93315-22004		REC93332-00005		REC93306-00612
F20A ET	2000	2000	REC93315-220V7	REC93332-000W5		REC93315-22004		REC93332-00005		REC93306-00612
F20A ETL	2003	2006	REC93315-220V7	REC93332-000W5		REC93315-22004		REC93332-00005		REC93306-00612
F20A MH	2000	2000	REC93315-220V7	REC93332-000W5		REC93315-22004		REC93332-00005		REC93306-00612
F20A MHL	2000	2000	REC93315-220V7	REC93332-000W5		REC93315-22004		REC93332-00005		REC93306-00612
F20A MHS	2001	2001	REC93315-220V7	REC93332-000W5		REC93315-22004		REC93332-00005		REC93306-00612
25B	1994	1995	REC93315-325V1	REC93332-00001		REC93317-22204		REC93332-000W7		REC93306-00702
25B MHL	2001	2006	REC93315-220V7	REC93332-000W5		REC93315-22004		REC93332-00005		REC93306-00612
25B MHS	2001	2006	REC93315-220V7	REC93332-000W5		REC93315-22004		REC93332-00005		REC93306-00612
25B WCS	2001	2002	REC93315-220V7	REC93332-000W5		REC93315-22004		REC93332-00005		REC93306-00612
25D	1985	1985	REC93332-017U4			REC93315-22004		REC93332-00005		REC93306-00612
25D	1986	1987	REC93332-017U4			REC93315-22004		REC93332-00005		REC93306-00612
25D M	1990	1997	REC93332-017U4			REC93315-22004		REC93332-00005		REC93306-00612
25D MH	1998	1998	REC93332-017U4			REC93315-22004		REC93332-00005		REC93306-00612
25D MHL	2001	2001	REC93332-017U4			REC93315-22004		REC93332-00005		REC93306-00612
25D MHS	2001	2001	REC93332-017U4			REC93315-22004		REC93332-00005		REC93306-00612
25J	1987	1991	REC93315-220V7	REC93332-00023		REC93315-22004				REC93306-00612
25J	1992	2000		REC93332-00001						REC93306-00612
25N	1988	1998		REC93315-22004		REC93315-22004		REC93332-00005		REC93306-00612
25N MHOL	2001	2006		REC93315-22004		REC93315-22004		REC93332-00005		REC93306-00612
25N MHOS	2001	2006		REC93315-22004		REC93315-22004		REC93332-00005		REC93306-00612
25N WOL	2001	2003		REC93315-22004		REC93315-22004		REC93332-00005		REC93306-00612
25N WOS	2001	2003				REC93315-22004		REC93332-00005		REC93306-00612
25Q	1988	1991	REC93315-32224	REC93332-00023						REC93306-00612
25Q	1990	1994	REC93315-32224	REC93332-00001		REC93317-22204				REC93306-00702
25V	1996	1996	REC93315-220V7	REC93332-000W5		REC93315-22004		REC93332-00005		REC93306-00612
25V	1996	1998	REC93315-220V7	REC93332-000W5		REC93315-22004		REC93332-00005		REC93306-00612
25V MHL	2001	2001	REC93315-220V7	REC93332-000W5		REC93315-22004		REC93332-00005		REC93306-00612
25V MHS	2001	2001	REC93315-220V7	REC93332-000W5		REC93315-22004		REC93332-00005		REC93306-00612
25V WCS	2001	2001	REC93315-220V7	REC93332-000W5		REC93315-22004		REC93332-00005		REC93306-00612
F25A E	2000	2000	REC93315-220V7	REC93332-000W5		REC93315-22004		REC93332-00005		REC93306-00612
F25A EH	2000	2000	REC93315-220V7	REC93332-000W5		REC93315-22004		REC93332-00005		REC93306-00612
F25A EHL	2001	2002	REC93315-220V7	REC93332-000W5		REC93315-22004		REC93332-00005		REC93306-00612
F25A EHS	2001	2001	REC93315-220V7	REC93332-000W5		REC93315-22004		REC93332-00005		REC93306-00612
F25A EL	2001	2006	REC93315-220V7	REC93332-000W5		REC93315-22004		REC93332-00005		REC93306-00612
F25A ES	2001	2006	REC93315-220V7	REC93332-000W5		REC93315-22004		REC93332-00005		REC93306-00612
F25A ET	2000	2000	REC93315-220V7	REC93332-000W5		REC93315-22004		REC93332-00005		REC93306-00612
F25A ETL	2001	2006	REC93315-220V7	REC93332-000W5		REC93317-22204		REC93332-00005		REC93306-00612
F25A MH	2000	2000	REC93315-220V7	REC93332-000W5		REC93315-22004		REC93332-00005		REC93306-00612
F25A MHL	2001	2006	REC93315-220V7	REC93332-000W5		REC93315-22004		REC93332-00005		REC93306-00612
F25A MHS	2001	2006	REC93315-220V7	REC93332-000W5		REC93315-22004		REC93332-00005		REC93306-00612
FT25B ED	2000	2000	REC93315-32224	REC93332-00001		REC93317-22204		REC93332-00003		REC93306-001U1
FT25B EDL	2001	2002	REC93315-32224	REC93332-00001		REC93317-22204		REC93332-00003		REC93306-001U1
FT25B EDX	2001	2002	REC93315-32224	REC93332-00001		REC93317-22204		REC93332-00003		REC93306-001U1
FT25B ET	2000	2000	REC93315-32224	REC93332-00001		REC93317-22204		REC93332-00003		REC93306-001U1
FT25B ETL	2001	2006	REC93315-32224	REC93332-00001		REC93317-22204		REC93332-00003		REC93306-001U1
FT25B ETX	2001	2002	REC93315-32224	REC93332-00001		REC93317-22204		REC93332-00003		REC93306-001U1
30A	1985	1985	REC93315-017U4			REC93315-22004		REC93332-00005		REC93306-00612
30A M	1990	1992	REC93315-017U4		REC93315-22004	REC93315-22004		REC93332-00005		REC93306-00612
30D	1986	1991	REC93315-220V7	REC93332-00023		REC93315-22004				REC93306-00612
30D	1992	2000	REC93315-220V7	REC93332-00001		REC93315-22004				REC93306-00612
30D EOL	2001	2006	REC93315-220V7	REC93332-00001		REC93315-22004				REC93306-00612
30D EOS	2001	2006	REC93315-220V7	REC93332-00001		REC93315-22004				REC93306-00612
30D ETOL	2001	2006	REC93315-220V7	REC93332-00001		REC93315-22004				REC93306-00612
30D MHOL	2001	2006	REC93315-220V7	REC93332-00001		REC93315-22004				REC93306-00612
30D MHOS	2001	2006	REC93315-220V7	REC93332-00001		REC93315-22004				REC93306-00612
30D OL	2001	2003		REC93332-00001		REC93315-22004				REC93306-00612
30D EOS	2001	2006		REC93332-00001		REC93315-22004				REC93306-00612
30G	1996	1996	REC93315-220V7	REC93332-000W5		REC93315-22004		REC93332-00005		REC93306-00612
30G	1996	1998	REC93315-220V7	REC93332-000W5		REC93315-22004		REC93332-00005		REC93306-00612
30G MHS	2001	2001	REC93315-220V7	REC93332-000W5		REC93315-22004		REC93332-00005		REC93306-00612









MODELO MODEL MODELLO	DESDE FROM DELL' ANNO	HASTA TO ALL' ANNO	AGUJA EJE COLA CYLIND. DRIVE SHAFT CUSCINETTO INF. ASSE VERT.	RODILLOS EJE VERT. ROLL BEAR DRIVE SHAFT CUS. INTERNO ASSE VERTICALE	PIÑÓN ATAQUE ROLL. BEARING GEAR CUS. PIGNONE INNESTO	AGUJAS DIÁBOLO CYL. CUS. CARRIER COP. CASSA INGRANAGGI	AGUJAS M. AVAN CYL. GEAR FW CUS. A RULLI PIG. M. AVANTI	ROD. PIÑÓN M. AVAN. ROLL BEAR GEAR FW CUS. CONICI PIG. M. AVANTI	AGUJAS M. ATRÁS CYL. GEAR R.V. CUS. CONICI PIG. M. INDIETRO	PIÑÓN M. ATRÁS BALLS GEAR R.V. CUS. PIGNONE M. INDIETRO
30G WCS	2001	2001	REC93315-220V7	REC93332-000W5		REC93315-22004		REC93332-00005		REC93306-00612
30H MHS	2001	2002	REC93315-220V7	REC93332-000W5		REC93315-22004		REC93332-00005		REC93306-00612
30H WCS	2001	2002	REC93315-220V7	REC93332-000W5		REC93315-22004		REC93332-00005		REC93306-00612
F30A ETL	2001	2006	REC93315-32224	REC93332-00001		REC93317-22204		REC93332-00003		REC93306-001U1
F30A ETS	2001	2006	REC93315-32224	REC93332-00001		REC93317-22204		REC93332-00003		REC93306-001U1
F30A MHD	2001	2006	REC93315-32224	REC93332-00001		REC93317-22204		REC93332-00003		REC93306-001U1
F30A MHDS	2001	2006	REC93315-32224	REC93332-00001		REC93317-22204		REC93332-00003		REC93306-001U1
40G WH	2003	2003	REC93315-324U1	REC93315-217U0	REC93390-000U0			REC93332-000U0		
40H	1985	1990	REC93315-32224	REC93332-00023		REC93317-22204				REC93306-00702
40H	1991	1993	REC93315-32224	REC93332-00001		REC93317-22204				REC93306-00702
40Q	1993	1998	REC93315-32224	REC93332-00001		REC93317-22204		REC93332-00003		REC93306-00702
40Q E	1992	1992	REC93315-32224	REC93332-00023		REC93317-22204		REC93332-00003		REC93306-00702
40Q M	1990	1992	REC93315-32224	REC93332-00023		REC93317-22204		REC93332-00003		REC93306-00702
40R MHO	2000	2000	REC93315-32224	REC93332-00001		REC93317-22204		REC93332-00003		REC93306-001U1
40R ROS	2001	2001	REC93315-32224	REC93332-00001		REC93317-22204		REC93332-00003		REC93306-001U1
40V	1995	1998	REC93315-32224	REC93332-00001		REC93317-22204		REC93332-00003		REC93306-001U1
40V EO	2000	2000	REC93315-32224	REC93332-00001		REC93317-22204		REC93332-00003		REC93306-001U1
40V EOL	2001	2006	REC93315-32224	REC93332-00001		REC93317-22204		REC93332-00003		REC93306-001U1
40V EOS	2001	2006	REC93315-32224	REC93332-00001		REC93317-22204		REC93332-00003		REC93306-001U1
40V ETO	2000	2000	REC93315-32224	REC93332-00001		REC93317-22204		REC93332-00003		REC93306-001U1
40V ETOL	2001	2003	REC93315-32224	REC93332-00001		REC93317-22204		REC93332-00003		REC93306-001U1
40V ETOS	2001	2003	REC93315-32224	REC93332-00001		REC93317-22204		REC93332-00003		REC93306-001U1
40V MHOL	2001	2006	REC93315-32224	REC93332-00001		REC93317-22204		REC93332-00003		REC93306-001U1
40V MHOS	2001	2006	REC93315-32224	REC93332-00001		REC93317-22204		REC93332-00003		REC93306-001U1
40V MO	2000	2000	REC93315-32224	REC93332-00001		REC93317-22204		REC93332-00003		REC93306-001U1
40X	1998	1998	REC93315-32224	REC93332-00001		REC93317-22204		REC93332-00003		REC93306-001U1
40X MH	2000	2000	REC93315-32224	REC93332-00001		REC93317-22204		REC93332-00003		REC93306-001U1
40X MHL	2001	2006	REC93315-32224	REC93332-00001		REC93317-22204		REC93332-00003		REC93306-001U1
40X MHS	2001	2002	REC93315-32224	REC93332-00001		REC93317-22204		REC93332-00003		REC93306-001U1
40X W	2000	2000	REC93315-32224	REC93332-00001		REC93317-22204		REC93332-00003		REC93306-001U1
40X WL	2001	2001	REC93315-32224	REC93332-00001		REC93317-22204		REC93332-00003		REC93306-001U1
40X WS	2001	2001	REC93315-32224	REC93332-00001		REC93317-22204		REC93332-00003		REC93306-001U1
40X WT	2000	2000		REC93332-00001		REC93317-22204		REC93332-00003		REC93306-001U1
40X WTL	2001	2003	REC93315-32224	REC93332-00001		REC93317-22204		REC93332-00003		REC93306-001U1
40Y ETOL	2001	2006	REC93315-32224	REC93332-00001		REC93317-22204		REC93332-00003		REC93306-001U1
40Y MHOS	2001	2006	REC93315-32224	REC93332-00001		REC93317-22204		REC93332-00003		REC93306-001U1
E40G MH	2003	2003	REC93315-324U1	REC93315-217U0	REC93390-000U0			REC93332-000U0		REC93332-000U0
E40G MHL	2003	2003	REC93315-324U1	REC93315-217U0	REC93390-000U0			REC93332-000U0		
E40G MHS	2003	2003	REC93315-324U1	REC93315-217U0	REC93390-000U0			REC93332-000U0		REC93332-000U0
F40A	1999	1999	REC93315-32224	REC93332-00001		REC93317-22204		REC93332-00003		REC93306-001U1
F40A ED	1999	1999	REC93315-32224	REC93332-00001		REC93317-22204		REC93332-00003		REC93306-001U1
F40A EDL	2001	2001	REC93315-32224	REC93332-00001		REC93317-22204		REC93332-00003		REC93306-001U1
F40A ET	1999	1999	REC93315-32224	REC93332-00001		REC93317-22204		REC93332-00003		REC93306-001U1
F40A ETL	2001	2002	REC93315-32224	REC93332-00001		REC93317-22204		REC93332-00003		REC93306-001U1
F40A ED	1999	1999	REC93315-325V1	REC93332-00001		REC93317-22204		REC93332-00003		REC93306-207U0
F40B ED	2000	2001	REC93315-32224	REC93332-00001		REC93317-22204		REC93332-00003		REC93306-001U1
F40B EDL	2001	2006	REC93315-32224	REC93332-00001		REC93317-22204		REC93332-00003		REC93306-001U1
F40B EDS	2001	2002	REC93315-32224	REC93332-00001		REC93317-22204		REC93332-00003		REC93306-001U1
F40B ET	2000	2001	REC93315-32224	REC93332-00001		REC93317-22204		REC93332-00003		REC93306-001U1
F40B ETL	2001	2006	REC93315-32224	REC93332-00001		REC93317-22204		REC93332-00003		REC93306-001U1
F40B ETS	2001	2006	REC93315-32224	REC93332-00001		REC93317-22204		REC93332-00003		REC93306-001U1
F40B MHD	2000	2000	REC93315-32224	REC93332-00001		REC93317-22204		REC93332-00003		REC93306-001U1
F40B MHD	2001	2006	REC93315-32224	REC93332-00001		REC93317-22204		REC93332-00003		REC93306-001U1
F40B MHDS	2001	2006	REC93315-32224	REC93332-00001		REC93317-22204		REC93332-00003		REC93306-001U1
F40C ETL	2002	2006	REC93315-32224	REC93332-00001		REC93317-22204				
F45A	1996	1999	REC93315-32224	REC93332-00001		REC93317-22204		REC93332-000W7		REC93306-001U1
F45A ED	2000	2000	REC93315-32224	REC93332-00001		REC93317-22204		REC93332-000W7		REC93306-001U1
F45A ET	2000	2000	REC93315-32224	REC93332-00001		REC93317-22204		REC93332-000W7		REC93306-001U1
50D	1984	1990	REC93315-32224	REC93332-00023		REC93317-22204				REC93306-00702
50D	1991	1993	REC93315-32224	REC93332-00001						REC93306-00702
50G	1993	1998	REC93315-325V1	REC93332-00001		REC93317-22204		REC93332-000W7		REC93306-00702
50G ETO	2000	2000	REC93315-325V1	REC93332-00001		REC93317-22204		REC93332-00003		REC93306-00702
50G ETOL	2001	2006	REC93315-325V1	REC93332-00001		REC93317-22204		REC93332-00003		REC93306-00702
50H	1995	1998	REC93315-32224	REC93332-00001		REC93317-22204		REC93332-00003		REC93306-001U1
50H EDO	2000	2000	REC93315-32224	REC93332-00001		REC93317-22204		REC93332-00003		REC93306-001U1
50H EDOL	2001	2002	REC93315-32224	REC93332-00001		REC93317-22204		REC93332-00003		REC93306-001U1
50H EDOS	2001	2002	REC93315-32224	REC93332-00001		REC93317-22204		REC93332-00003		REC93306-001U1
50H MDO	2000	2000	REC93315-32224	REC93332-00001		REC93317-22204		REC93332-00003		REC93306-001U1

MODELO MODEL MODELLO	DESDE FROM DELL' ANNO	HASTA TO ALL' ANNO	AGUJA EJE COLA CYLIND. DRIVE SHAFT CUSCINETTO INF. ASSE VERT.	RODILLOS EJE VERT. ROLL BEAR DRIVE SHAFT CUS. INTERNO ASSE VERTICALE	PIÑÓN ATAQUE ROLL. BEARING GEAR CUS. PIGNONE INNESTO	AGUJAS DIÁBOLO CYL. CUS. ARRIER COP. CASSA INGRANAGGI	AGUJAS M. AVAN CYL. GEAR FW CUS. A RULLI PIG. M. AVANTI	ROD. PIÑÓN M. AVAN. ROLL BEAR GEAR FW CUS. CONICI PIG. M. AVANTI	AGUJAS M. ATRÁS CYL. GEAR R.V. CUS. CONICI PIG. M. INDIETRO	PIÑÓN M. ATRÁS BALLS GEAR R.V. CUS. PIGNONE M. INDIETRO
50H MO	2000	2000	REC93315-32224	REC93332-00001		REC93317-22204		REC93332-00003		REC93306-001U1
F50A	1995	1995	REC93315-32224	REC93332-000U3		REC93317-22204		REC93332-00003		REC93306-001U1
F50A ED	2000	2000	REC93315-32224	REC93332-00001		REC93317-22204		REC93332-00003		REC93306-001U1
F50A EDL	2001	2006	REC93315-32224	REC93332-00001		REC93317-22204		REC93332-00003		REC93306-001U1
F50A ET	2000	2000	REC93315-32224	REC93332-00001		REC93317-22204		REC93332-00003		REC93306-001U1
F50A ETL	2001	2006	REC93315-32224	REC93332-00001		REC93317-22204		REC93332-00003		REC93306-001U1
F50B	1996	1997	REC93315-32224	REC93332-00001		REC93317-22204		REC93332-00003		REC93306-001U1
F50B	1998	1999	REC93315-325V1	REC93332-000U3		REC93317-22204		REC93332-000W7		REC93306-001U1
F50B ET	2000	2000	REC93315-32224	REC93332-00001		REC93317-22204		REC93332-00003		REC93306-001U1
F50F EDL	2005	2006	REC93315-32224	REC93332-00001		REC93317-22204				REC93306-001U1
F50F ETL	2005	2006	REC93315-32224	REC93332-00001		REC93317-22204				REC93306-001U1
FT50B	1998	1999	REC93315-32224	REC93332-00001		REC93317-22204		REC93332-000W7		REC93306-001U1
FT50B ETL	2001	2002	REC93315-32224	REC93332-00001		REC93317-22204		REC93332-00003		REC93306-001U1
FT50C ETL	2002	2006	REC93315-32224	REC93332-00001		REC93317-22204		REC93332-00003		REC93306-001U1
FT50G ETL	2005	2006		REC93332-000U3		REC93317-325U0				REC93306-001U1
55B	1993	1998	REC93315-32224	REC93332-00001		REC93317-22204		REC93332-00003		REC93306-00702
55B E	1990	1991	REC93315-32224	REC93332-00001		REC93317-22204		REC93332-00003		REC93306-00702
55B E	1992	1992	REC93315-32224	REC93332-00023		REC93317-22204		REC93332-00003		REC93306-00702
55B EHD	2000	2000	REC93315-32224	REC93332-00001		REC93317-22204		REC93332-00003		REC93306-00702
55B ET	2000	2000	REC93315-32224	REC93332-00001		REC93317-22204		REC93332-00003		REC93306-00702
55B ETL	2001	2002	REC93315-32224	REC93332-00001		REC93317-22204		REC93332-00003		REC93306-00702
60F	1984	1998	REC93315-325V1	REC93332-00001		REC93317-22204		REC93332-000W7		REC93306-00702
60F EO	2000	2000	REC93315-325V1	REC93332-00001		REC93317-22204		REC93332-00003		REC93306-00702
60F ETO	2000	2000	REC93315-325V1	REC93332-00001		REC93317-22204		REC93332-00003		REC93306-00702
60F ETOL	2001	2006	REC93315-325V1	REC93332-00001		REC93317-22204		REC93332-00003		REC93306-00702
E60H MHDL	2001	2006	REC93315-325V1	REC93332-000U3		REC93317-325U0		REC93332-000W7		REC93306-207U0
F60A ETL	2002	2006	REC93315-32224	REC93332-00001		REC93317-22204				REC93306-001U1
F60C ETL	2005	2006	REC93315-32224	REC93332-00001		REC93317-22204				REC93306-001U1
FT60B ETL	2003	2006		REC93332-000U3		REC93317-325U0				REC93306-207U0
FT60D ETL	2005	2006		REC93332-000U3		REC93317-325U0				REC93306-207U0
70B	1984	1998	REC93315-325V1	REC93332-00001		REC93317-22204		REC93332-000W7		REC93306-00702
70B EDOL	2001	2001	REC93315-325V1	REC93332-00001		REC93317-22204		REC93332-00003		REC93306-00702
70B EO	2000	2000	REC93315-325V1	REC93332-00001		REC93317-22204		REC93332-00003		REC93306-00702
70B ETO	2000	2000	REC93315-325V1	REC93332-00001		REC93317-22204		REC93332-00003		REC93306-00702
70B ETOL	2001	2006	REC93315-325V1	REC93332-00001		REC93317-22204		REC93332-00003		REC93306-00702
75A	1990	1998	REC93315-325V1	REC93332-000U3		REC93317-325U0		REC93332-000W7		REC93306-207U0
75A E	1990	2000	REC93315-325V1	REC93332-000U3		REC93317-325U0		REC93332-000U5		REC93306-207U0
75A EDL	2001	2006	REC93315-325V1	REC93332-000U3		REC93317-325U0		REC93332-000W7		REC93306-207U0
75A EM	1992	1993		REC93332-000U3		REC93317-325U0		REC93332-000U5		REC93306-207U0
75A ET	2000	2000	REC93315-325V1			REC93317-325U0		REC93332-000U5		REC93306-207U0
75A ETL	2001	2002	REC93315-325V1	REC93332-000U3		REC93317-325U0		REC93332-000W7		REC93306-207U0
75A MHD	2000	2000	REC93315-325V1	REC93332-000U3		REC93317-325U0				REC93306-207U0
75C	1998	1998	REC93315-325V1			REC93317-325U0		REC93332-000W7		REC93306-207U0
75C ETO	2000	2000	REC93315-325V1	REC93332-000U3		REC93317-325U0		REC93332-000W7		REC93306-207U0
75C ETOL	2001	2006	REC93315-325V1	REC93332-000U3		REC93317-325U0		REC93332-000W7		REC93306-207U0
80A	1985	1996	REC93315-325V1	REC93332-000U3		REC93317-325U0		REC93332-000U5		REC93306-207U0
F80A	1999	1999		REC93332-000U3		REC93317-325U0	REC93317-322V0			REC93306-207U0
F80A ET	2000	2000		REC93332-000U3		REC93317-325U0	REC93317-322V0			REC93306-207U0
F80A ETL	2001	2006		REC93332-000U3		REC93317-325U0	REC93317-322V0			REC93306-207U0
F80A ETX	2001	2001		REC93332-000U3		REC93317-325U0	REC93317-322V0			REC93306-207U0
F80B ETL	2005	2006		REC93332-000U3		REC93317-325U0	REC93317-322V0			REC93306-207U0
85A	1996	1998	REC93315-325V1	REC93332-000U3		REC93317-325U0		REC93332-000W7		REC93306-207U0
85A E	1990	2000	REC93315-325V1	REC93332-000U3		REC93317-325U0		REC93332-000U5		REC93306-207U0
85A ET	2000	2000	REC93315-325V1	REC93332-000U3		REC93317-325U0		REC93332-000U5		REC93306-207U0
85A ETL	2001	2002	REC93315-325V1	REC93332-000U3		REC93317-325U0		REC93332-000W7		REC93306-207U0
90A	1984	1998	REC93315-325V1	REC93332-000U3		REC93317-325U0		REC93332-000W7		REC93306-207U0
90A ETO	2000	2000	REC93315-325V1	REC93332-000U3		REC93317-325U0		REC93332-000U7		REC93306-207U0
90A ETOL	2001	2006	REC93315-325V1	REC93332-000U3		REC93317-325U0		REC93332-000W7		REC93306-207U0
100A	1998	1998	REC93315-628U9	REC93315-430V5 AGUJAS / NEEDLE / SPILLI REC93341-930U2 AXIAL / ASSIALE		REC93315-430U8	REC93315-425U7	REC93332-000U7		REC93306-208U0
100A ETO	2000	2000	REC93315-628U9	REC93317-330U2 AGUJAS / NEEDLE / SPILLI REC93341-930V2 AXIAL / ASSIALE		REC93315-430U8	REC93315-425U7			REC93306-208U0
100A ETOL	2001	2001	REC93315-628U9	REC93317-330U2 AGUJAS / NEEDLE / SPILLI REC93341-930V2 AXIAL / ASSIALE		REC93315-430U8	REC93315-425U7	REC93332-000U7		REC93306-208U0
F100A	1999	1999		REC93332-000U3		REC93317-325U0	REC93317-322V0			REC93306-207U0

MODELO MODEL MODELLO	DESDE FROM DELL' ANNO	HASTA TO ALL' ANNO	AGUJA EJE COLA CYLIND. DRIVE SHAFT CUSCINETTO INF. ASSE VERT. 	RODILLOS EJE VERT. ROLL BEAR DRIVE SHAFT CUS. INTERNO ASSE VERTICALE 	PIÑÓN ATAQUE ROLL. BEARING GEAR CUS. PIGNONE INNESTO 	AGUJAS DIÁBOLO CYL. CUS. ARRIERER COP. CASSA INGRANAGGI 	AGUJAS M. AVAN CYL. GEAR FW CUS. A RULLI FIG. M. AVANTI 	ROD. PIÑÓN M. AVAN. ROLL BEAR GEAR FW CUS. CONICI FIG. M. AVANTI 	AGUJAS M. ATRÁS CYL. GEAR R.V. CUS. CONICI FIG. M. INDIETRO 	PIÑÓN M. ATRÁS BALLS GEAR R.V. CUS. PIGNONE M. INDIETRO 
F100A ET	2000	2000		REC93332-000U3		REC93317-325U0	REC93317-322V0			REC93306-207U0
F100A ETL	2001	2006		REC93332-000U3		REC93317-325U0	REC93317-322V0			REC93306-207U0
F100A ETX	2001	2001		REC93332-000U3		REC93317-325U0	REC93317-322V0			REC93306-207U0
F100B ETX	2005	2006	REC93315-628U9	REC93317-330U2 AGUJAS / NEEDLE / SPILLI REC93341-930V2 AXIAL / ASSIALE		REC93315-430U8	REC93315-425U7	REC93332-000U7		REC93306-208U0
F100D ETL	2005	2006		REC93332-000U3		REC93317-325U0	REC93317-322V0			REC93306-207U0
115A	1984	1987	REC93315-628U9	REC93317-330U2 AGUJAS / NEEDLE / SPILLI REC93341-930U2 AXIAL / ASSIALE		REC93315-430U8	REC93315-425U7	REC93332-000U7		REC93306-208U0
115B	1988	1995	REC93315-628U9	REC93317-330U2 AGUJAS / NEEDLE / SPILLI REC93341-930U2 AXIAL / ASSIALE		REC93315-430U8	REC93315-425U7	REC93332-000U7		REC93306-208U0
115B	1996	1996	REC93315-628U9	REC93315-430V5 AGUJAS / NEEDLE / SPILLI REC93341-930U2 AXIAL / ASSIALE		REC93315-430U8	REC93315-425U7	REC93332-000U7		REC93306-208U0
115B ETO	1997	1998	REC93315-628U9	REC93315-430V5 AGUJAS / NEEDLE / SPILLI REC93341-930U2 AXIAL / ASSIALE		REC93315-430U8	REC93315-425U7	REC93332-000U7		REC93306-208U0
115B ETO	1999	2000	REC93315-628U9	REC93317-330U2 REC93317-330U2			REC93315-425U7	REC93332-000U7		REC93306-208U0
115B ETOL	2001	2002	REC93315-628U9	AGUJAS / NEEDLE / SPILLI REC93341-930V2 AXIAL / ASSIALE		REC93315-430U8	REC93315-425U7	REC93332-000U7		REC93306-208U0
115C	1990	1995	REC93315-628U9	REC93317-330U2 AGUJAS / NEEDLE / SPILLI REC93341-930U2 AXIAL / ASSIALE		REC93315-430U8	REC93315-425U7	REC93332-000U7	REC93315-430V5	REC93306-208U0
115C ETO	2000	2000	REC93315-628U9	AGUJAS / NEEDLE / SPILLI REC93341-930V2 AXIAL / ASSIALE		REC93315-430U8	REC93315-425U7	REC93332-000U7	REC93315-430V5	REC93306-208U0
115C ETOL	2001	2006	REC93315-628U9	REC93317-330U2 AGUJAS / NEEDLE / SPILLI REC93341-930V2 AXIAL / ASSIALE		REC93315-43061	REC93315-425U7	REC93332-000U7	REC93315-430V5	REC93306-208U0
115C ETOX	2001	2002	REC93315-628U9	REC93317-330U2 AGUJAS / NEEDLE / SPILLI REC93341-930V2 AXIAL / ASSIALE		REC93315-430U8	REC93315-425U7	REC93332-000U7	REC93315-430V5	REC93306-208U0
F115A ET	2000	2000	REC93315-628U9	REC93317-330U2 AGUJAS / NEEDLE / SPILLI REC93341-930V2 AXIAL / ASSIALE		REC93315-430U8	REC93315-425U7	REC93332-000U7	REC93315-430V5	REC93306-208U0
F115A ETL	2001	2006	REC93315-628U9	REC93317-330U2 AGUJAS / NEEDLE / SPILLI REC93341-930V2 AXIAL / ASSIALE		REC93315-430U8	REC93315-425U7	REC93332-000U7	REC93315-430V5	REC93306-208U0
F115A ETX	2001	2006	REC93315-628U9	REC93317-330U2 AGUJAS / NEEDLE / SPILLI REC93341-930V2 AXIAL / ASSIALE		REC93315-430U8	REC93315-425U7	REC93332-000U7	REC93315-430V5	REC93306-208U0
FL115A ET	2000	2000	REC93315-628U9	REC93317-330U2 AGUJAS / NEEDLE / SPILLI REC93341-930V2 AXIAL / ASSIALE		REC93315-430U8	REC93315-425U7	REC93332-000U7	REC93315-430V5	REC93306-208U0
FL115A ETX	2001	2006	REC93315-628U9	REC93317-330U2 AGUJAS / NEEDLE / SPILLI REC93341-930V2 AXIAL / ASSIALE		REC93315-430U8	REC93315-425U7	REC93332-000U7	REC93315-430V5	REC93306-208U0
130B	1990	1994	REC93315-628U9	REC93317-330U2 AGUJAS / NEEDLE / SPILLI REC93341-930U2 AXIAL / ASSIALE		REC93315-430U8	REC93315-425U7	REC93332-000U7	REC93315-430V5	REC93306-208U0
130B ETO	2000	2000	REC93315-628U9	REC93317-330U2 AGUJAS / NEEDLE / SPILLI REC93341-930V2 AXIAL / ASSIALE		REC93315-430U8	REC93315-425U7	REC93332-000U7	REC93315-430V5	REC93306-208U0
130B ETOL	2001	2006	REC93315-628U9	REC93317-330U2 AGUJAS / NEEDLE / SPILLI REC93341-930V2 AXIAL / ASSIALE		REC93315-43061	REC93315-425U7	REC93332-000U7	REC93315-430V5	REC93306-208U0
130B ETOX	2001	2001	REC93315-628U9	REC93317-330U2 AGUJAS / NEEDLE / SPILLI REC93341-930V2 AXIAL / ASSIALE		REC93315-430U8	REC93315-425U7	REC93332-000U7	REC93315-430V5	REC93306-208U0
L130B	1991	1994	REC93315-628U9	REC93317-330U2 AGUJAS / NEEDLE / SPILLI REC93341-930U2 AXIAL / ASSIALE		REC93315-430U8	REC93315-425U7	REC93332-000U7	REC93315-430V5	REC93306-208U0
L130B	1995	1998		REC93315-430V5 AGUJAS / NEEDLE / SPILLI REC93341-930U2 AXIAL / ASSIALE		REC93315-430U8	REC93315-425U7	REC93332-000U7		REC93306-208U0
L130B ETO	2000	2000	REC93315-628U9	REC93317-330U2 REC93317-330U2		REC93315-430U8	REC93315-425U7	REC93332-000U7	REC93315-430V5	REC93306-208U0
L130B ETOX	2001	2001	REC93315-628U9	AGUJAS / NEEDLE / SPILLI REC93341-930V2 AXIAL / ASSIALE		REC93315-430U8	REC93315-425U7	REC93332-000U7	REC93315-430V5	REC93306-208U0

MODELO MODEL MODELLO	DESDE FROM DELL' ANNO	HASTA TO ALL' ANNO	AGUJA EJE COLA CYLIND. DRIVE SHAFT CUSCINETTO INF. ASSE VERT. 	RODILLOS EJE VERT. ROLL BEAR DRIVE SHAFT CUS. INTERNO ASSE VERTICALE 	PIÑÓN ATAQUE ROLL. BEARING GEAR CUS. PIGNONE INNESTO 	AGUJAS DIÁBOLO CYL. CARRIER COP. CASSA INGRANAGGI 	AGUJAS M. AVAN CYL. GEAR FW CUS. A RULLI PIG. M. AVANTI 	ROD. PIÑÓN M. AVAN. ROLL BEAR GEAR FW CUS. CONICI PIG. M. AVANTI 	AGUJAS M. ATRÁS CYL. GEAR R.V. CUS. CONICI PIG. M. INDIETRO 	PIÑÓN M. ATRÁS BALLS GEAR R.V. CUS. PIGNONE M. INDIETRO 
140A	1984	1987	REC93315-628U9	REC93317-330U2 AGUJAS / NEEDLE / SPILLI REC93341-930U2 AXIAL / ASSIALE		REC93315-430U8	REC93315-425U7	REC93332-000U7		REC93306-208U0
140B	1988	1989	REC93315-628U9	REC93317-330U2 AGUJAS / NEEDLE / SPILLI REC93341-930U2 AXIAL / ASSIALE		REC93315-430U8	REC93315-425U7	REC93332-000U7		REC93306-208U0
L140B	1989	1989	REC93315-628U9	REC93317-330U2 AGUJAS / NEEDLE / SPILLI REC93341-930U2 AXIAL / ASSIALE		REC93315-430U8	REC93315-425U7	REC93332-000U7	REC93315-430V5	REC93306-208U0
150A	1984	1989	REC93311-928U5	REC93317-330U2 AGUJAS / NEEDLE / SPILLI REC93341-930U2 AXIAL / ASSIALE		REC93315-430U8	REC93315-425V3	REC93332-000V3 STD. ROT REC93390-000U2 C.ROT.	REC93315-430V5	REC93306-209U0 STD. ROT REC93332-00048 C.ROT.
150A ET	1998	2000	REC93311-928U5	REC93317-330U2 AGUJAS / NEEDLE / SPILLI REC93341-930V2 AXIAL / ASSIALE		REC93315-430U8	REC93315-425V3	REC93332-000V3		REC93306-209U0
150A ETO	1986	1987				REC93315-430U8		REC93390-000U2		REC93390-000U2
150A ETL	2001	2002	REC93311-928U5	REC93317-330U2 AGUJAS / NEEDLE / SPILLI REC93341-930V2 AXIAL / ASSIALE		REC93315-430U8	REC93315-425V3	REC93332-000V3		REC93306-209U0
150A ETX	2001	2002	REC93311-928U5	REC93317-330U2 AGUJAS / NEEDLE / SPILLI REC93341-930V2 AXIAL / ASSIALE		REC93315-430U8	REC93315-425V3	REC93332-000V3		REC93306-209U0
150C	1990	1994	REC93311-928U5	REC93317-330U2 AGUJAS / NEEDLE / SPILLI REC93341-930U2 AXIAL / ASSIALE		REC93315-430U8	REC93315-425V3	REC93332-000V3		REC93306-209U0
150F	1996	1998	REC93311-928U5	REC93315-430V5 AGUJAS / NEEDLE / SPILLI REC93341-930V2 AXIAL / ASSIALE		REC93315-430U8	REC93315-425V3	REC93390-000U2		REC93332-00048
150F	1997	1998	REC93311-928U5	REC93315-430V5 AGUJAS / NEEDLE / SPILLI REC93341-930V2 AXIAL / ASSIALE		REC93315-430U8	REC93315-425V3	REC93332-000V3 STD. ROT REC93390-000U2 C.ROT.		REC93306-209U0 STD. ROT REC93332-00048 C.ROT.
150F ETO	2000	2000	REC93311-928U5	REC93317-330U2 AGUJAS / NEEDLE / SPILLI REC93341-930V2 AXIAL / ASSIALE		REC93315-430U8	REC93315-425V3	REC93332-000V3 STD. ROT REC93390-000U2 C.ROT.		REC93306-209U0 STD. ROT REC93332-00048 C.ROT.
150F ETOL	2001	2006	REC93311-928U5	REC93317-330U2 AGUJAS / NEEDLE / SPILLI REC93341-930V2 AXIAL / ASSIALE		REC93315-43061	REC93315-425V3	REC93332-000V3 STD. ROT REC93390-000U2 C.ROT.		REC93306-209U0 STD. ROT REC93332-00048 C.ROT.
150F ETOX	2001	2006	REC93311-928U5	REC93317-330U2 AGUJAS / NEEDLE / SPILLI REC93341-930V2 AXIAL / ASSIALE		REC93315-43061	REC93315-425V3	REC93332-000V3 STD. ROT REC93390-000U2 C.ROT.		REC93306-209U0 STD. ROT REC93332-00048 C.ROT.
D150H	1999	1999	REC93315-628U9	REC93317-330U2 AGUJAS / NEEDLE / SPILLI REC93341-930V2 AXIAL / ASSIALE		REC93315-43061		REC93332-00048		REC93332-00048
D150H ETOL	2001	2002	REC93315-628U9	REC93317-330U2 AGUJAS / NEEDLE / SPILLI REC93341-930V2 AXIAL / ASSIALE		REC93315-43061		REC93332-00048		REC93332-00048
F150A ETL	2004	2006	REC93311-928U5	REC93317-330U2 AGUJAS / NEEDLE / SPILLI REC93341-930V2 AXIAL / ASSIALE		REC93315-43061	REC93315-425V3	REC93332-000V3 STD. ROT REC93390-000U2 C.ROT.		REC93306-209U0 STD. ROT REC93332-00048 C.ROT.
F150A ETX	2004	2006	REC93311-928U5	REC93317-330U2 AGUJAS / NEEDLE / SPILLI REC93341-930V2 AXIAL / ASSIALE		REC93315-43061	REC93315-425V3	REC93332-000V3 STD. ROT REC93390-000U2 C.ROT.		REC93306-209U0 STD. ROT REC93332-00048 C.ROT.
FL150A ETL	2004	2006	REC93311-928U5	REC93317-330U2 AGUJAS / NEEDLE / SPILLI REC93341-930V2 AXIAL / ASSIALE		REC93315-43061	REC93315-425V3	REC93332-000V3 STD. ROT REC93390-000U2 C.ROT.		REC93306-209U0 STD. ROT REC93332-00048 C.ROT.
FL150AETX	2004	2006	REC93311-928U5	REC93317-330U2 AGUJAS / NEEDLE / SPILLI REC93341-930V2 AXIAL / ASSIALE		REC93315-43061	REC93315-425V3	REC93332-000V3 STD. ROT REC93390-000U2 C.ROT.		REC93306-209U0 STD. ROT REC93332-00048 C.ROT.
L150A	1988	1989	REC93311-928U5	REC93317-330U2 AGUJAS / NEEDLE / SPILLI REC93341-930U2 AXIAL / ASSIALE		REC93315-430U8		REC93390-000U2	REC93315-430V5	REC93390-000U2
L150C	1990	1994	REC93311-928U5	REC93317-330U2 AGUJAS / NEEDLE / SPILLI REC93341-930U2 AXIAL / ASSIALE		REC93315-430U8	REC93315-425V3	REC93390-000U2	REC93315-430V5	REC93306-209U0
L150C	1995	1995		REC93315-430V5				REC93390-000U2		REC93332-00048
L150F	1996	1998	REC93311-928U5	REC93315-430V5 AGUJAS / NEEDLE / SPILLI REC93341-930V2 AXIAL / ASSIALE		REC93315-430U8	REC93315-425V3	REC93332-000V3 STD. ROT REC93390-000U2 C.ROT.		REC93306-209U0 STD. ROT REC93332-00048 C.ROT.
L150F ETO	2000	2001	REC93311-928U5	REC93317-330U2 AGUJAS / NEEDLE / SPILLI REC93341-930V2 AXIAL / ASSIALE		REC93315-430U8	REC93315-425V3	REC93332-000V3 STD. ROT REC93390-000U2 C.ROT.		REC93306-209U0 STD. ROT REC93332-00048 C.ROT.

MODELO MODEL MODELLO	DESDE FROM DELL' ANNO	HASTA TO ALL' ANNO	AGUJA EJE COLA CYLIND. DRIVE SHAFT CUSCINETTO INF. ASSE VERT. 	RODILLOS EJE VERT. ROLL BEAR DRIVE SHAFT CUS. INTERNO ASSE VERTICALE 	PIÑÓN ATAQUE ROLL. BEARING GEAR CUS. PIGNONE INNESTO 	AGUJAS DIÁBOLO C.YL. CUS. CARRIER PER COP. CASSA INGRANAGGI 	AGUJAS M. AVAN C.YL. GEAR FW CUS. A RULLI PIG. M. AVANTI 	ROD. PIÑÓN M. AVAN. ROLL BEAR GEAR FW CUS. CONICI PIG. M. AVANTI 	AGUJAS M. ATRÁS C.YL. GEAR R.V. CUS. CONICI PIG. M. INDIETRO 	PIÑÓN M. ATRÁS BALLS GEAR R.V. CUS. PIGNONE M. INDIETRO 
L150F ETOL	2001	2001	REC93311-928U5	REC93317-330U2 AGUJAS / NEEDLE / SPILLI REC93341-930V2 AXIAL / ASSIALE		REC93315-430U8	REC93315-425V3	REC93332-000V3 STD. ROT REC93390-000U2 C.ROT.		REC93306-209U0 STD. ROT REC93332-00048 C.ROT.
L150F ETOX	2001	2001	REC93311-928U5	REC93317-330U2 AGUJAS / NEEDLE / SPILLI REC93341-930V2 AXIAL / ASSIALE		REC93315-430U8	REC93315-425V3	REC93332-000V3 STD. ROT REC93390-000U2 C.ROT.		REC93306-209U0 STD. ROT REC93332-00048 C.ROT.
LZ150P	2000	2002				REC93315-430U8		REC93390-000U2		REC93390-000U2
LZ150P ETOX	2000	2006	REC93311-928U5	REC93317-330U2 AGUJAS / NEEDLE / SPILLI REC93341-930V2 AXIAL / ASSIALE		REC93315-43061	REC93315-425V3	REC93332-000V3 STD. ROT REC93390-000U2 C.ROT.		REC93306-209U0 STD. ROT REC93332-00048 C.ROT.
LZ150T XRC	2004							REC93390-000U2		REC93390-000U2
Z150P ETO	2000	2000	REC93311-928U5	REC93317-330U2 AGUJAS / NEEDLE / SPILLI REC93341-930V2 AXIAL / ASSIALE		REC93315-430U8	REC93315-425V3	REC93332-000V3 STD. ROT REC93390-000U2 C.ROT.		REC93306-209U0 STD. ROT REC93332-00048 C.ROT.
Z150P ETOL	2001	2006	REC93311-928U5	REC93317-330U2 AGUJAS / NEEDLE / SPILLI REC93341-930V2 AXIAL / ASSIALE		REC93315-43061	REC93315-425V3	REC93332-000V3 STD. ROT REC93390-000U2 C.ROT.		REC93306-209U0 STD. ROT REC93332-00048 C.ROT.
Z150P ETOX	2001	2006	REC93311-928U5	REC93317-330U2 AGUJAS / NEEDLE / SPILLI REC93341-930V2 AXIAL / ASSIALE		REC93315-43061	REC93315-425V3	REC93332-000V3 STD. ROT REC93390-000U2 C.ROT.		REC93306-209U0 STD. ROT REC93332-00048 C.ROT.
Z150Q ETO	2000	2000	REC93311-928U5	REC93317-330U2 AGUJAS / NEEDLE / SPILLI REC93341-930V2 AXIAL		REC93315-430U8	REC93315-425V3	REC93332-000V3		REC93306-209U0
Z150Q ETOL	2001	2006	REC93311-928U5	REC93317-330U2 AGUJAS / NEEDLE / SPILLI REC93341-930V2 AXIAL / ASSIALE		REC93315-43061	REC93315-425V3	REC93332-000V3		REC93306-209U0
175A	1984	1989	REC93311-928U5	REC93317-330U2 AGUJAS / NEEDLE / SPILLI REC93341-930V2 AXIAL / ASSIALE		REC93315-430U8	REC93315-425V3	REC93332-000V3 STD. ROT REC93390-000U2 C.ROT.	REC93315-430V5	REC93306-209U0 STD. ROT REC93332-00048 C.ROT.
175A ETO	1986	1987	REC93311-928U5	REC93317-330U2		REC93315-430U8	REC93315-425V3	REC93390-000U2		REC93390-000U2
175B	1990	1994	REC93311-928U5	REC93317-330U2 AGUJAS / NEEDLE / SPILLI REC93341-930V2 AXIAL / ASSIALE		REC93315-430U8	REC93315-425V3	REC93332-000V3		REC93306-209U0
175B	1995	1995	REC93311-928U5	REC93315-430V5		REC93301-30M17	REC93315-425V3	REC93390-000U2		REC93332-00048
175D	1996	1998	REC93311-928U5	REC93315-430V5 AGUJAS / NEEDLE / SPILLI REC93341-930V2 AXIAL / ASSIALE		REC93315-430U8	REC93315-425V3	REC93332-000V3 STD. ROT REC93390-000U2 C.ROT.		REC93306-209U0 STD. ROT REC93332-00048 C.ROT.
175D ETO	2000	2000	REC93311-928U5	REC93317-330U2 AGUJAS / NEEDLE / SPILLI REC93341-930V2 AXIAL / ASSIALE		REC93315-430U8	REC93315-425V3	REC93332-000V3 STD. ROT REC93390-000U2 C.ROT.		REC93306-209U0 STD. ROT REC93332-00048 C.ROT.
175D ETOL	2001	2003	REC93311-928U5	REC93317-330U2 AGUJAS / NEEDLE / SPILLI REC93341-930V2 AXIAL / ASSIALE		REC93315-430U8	REC93315-425V3	REC93332-000V3 STD. ROT REC93390-000U2 C.ROT.		REC93306-209U0 STD. ROT REC93332-00048 C.ROT.
175D ETOX	2001	2002	REC93311-928U5	REC93317-330U2 AGUJAS / NEEDLE / SPILLI REC93341-930V2 AXIAL / ASSIALE		REC93315-430U8	REC93315-425V3	REC93332-000V3 STD. ROT REC93390-000U2 C.ROT.		REC93306-209U0 STD. ROT REC93332-00048 C.ROT.
Z175G ETOX	2001	2006	REC93311-928U5	REC93317-330U2 AGUJAS / NEEDLE / SPILLI REC93341-930V2 AXIAL / ASSIALE		REC93315-43061	REC93315-425V3	REC93332-000V3 STD. ROT REC93390-000U2 C.ROT.		REC93306-209U0 STD. ROT REC93332-00048 C.ROT.
Z175H ETOL	2001	2001	REC93311-928U5	REC93317-330U2 AGUJAS / NEEDLE / SPILLI REC93341-930V2 AXIAL / ASSIALE		REC93315-430U8	REC93315-425V3	REC93332-000V3		REC93306-209U0
200A	1984	1989	REC93311-928U5	REC93317-330U2 AGUJAS / NEEDLE / SPILLI REC93341-930V2 AXIAL / ASSIALE		REC93315-430U8	REC93315-425V3	REC93332-000V3 STD. ROT REC93390-000U2 C.ROT.	REC93315-430V5	REC93306-209U0 STD. ROT REC93332-00048 C.ROT.
200A ETO	1986	1987	REC93311-928U5	REC93317-330U2		REC93315-430U8		REC93390-000U2		REC93390-000U2
200B	1990	1994	REC93311-928U5	REC93317-330U2 AGUJAS / NEEDLE / SPILLI REC93341-930V2 AXIAL / ASSIALE		REC93315-430U8	REC93315-425V3	REC93332-000V3		REC93306-209U0
200B	1995	1995	REC93311-928U5	REC93315-430V5		REC93315-430U8	REC93315-425V3	REC93390-000U2		REC93332-00048
200F	1996	1998	REC93311-928U5	REC93315-430V5 AGUJAS / NEEDLE / SPILLI REC93341-930V2 AXIAL / ASSIALE		REC93315-430U8	REC93315-425V3	REC93332-000V3 STD. ROT REC93390-000U2 C.ROT.		REC93306-209U0 STD. ROT REC93332-00048 C.ROT.
200F ETO	2000	2000	REC93311-928U5	REC93317-330U2 AGUJAS / NEEDLE / SPILLI REC93341-930V2 AXIAL / ASSIALE		REC93315-430U8	REC93315-425V3	REC93332-000V3 STD. ROT REC93390-000U2 C.ROT.		REC93306-209U0 STD. ROT REC93332-00048 C.ROT.
200F ETOL	2001	2006	REC93311-928U5	REC93317-330U2 AGUJAS / NEEDLE / SPILLI REC93341-930V2 AXIAL / ASSIALE		REC93315-43061	REC93315-425V3	REC93332-000V3 STD. ROT REC93390-000U2 C.ROT.		REC93306-209U0 STD. ROT REC93332-00048 C.ROT.
200F ETOX	2001	2006	REC93311-928U5	REC93317-330U2 AGUJAS / NEEDLE / SPILLI REC93341-930V2 AXIAL / ASSIALE		REC93315-43061	REC93315-425V3	REC93332-000V3 STD. ROT REC93390-000U2 C.ROT.		REC93306-209U0 STD. ROT REC93332-00048 C.ROT.

MODELO MODEL MODELLO	DESDE FROM DELL' ANNO	HASTA TO ALL' ANNO	AGUJA EJE COLA CYLIND. DRIVE SHAFT CUSCINETTO INF. ASSE VERT. 	RODILLOS EJE VERT. ROLL BEAR DRIVE SHAFT CUS. INTERNO ASSE VERTICALE 	PIÑÓN ATAQUE ROLL. BEARING GEAR CUS. PIGNONE INNESTO 	AGUJAS DIABOLO CYL. CARRIERS COP. CASSA INGRANAGGI 	AGUJAS M. AVAN CYL. GEAR FW CUS. A RULLI PIG. M. AVANTI 	ROD. PIÑÓN M. AVAN. ROLL BEAR GEAR FW CUS. CONICI PIG. M. AVANTI 	AGUJAS M. ATRÁS CYL. GEAR R.V. CUS. CONICI PIG. M. INDIETRO 	PIÑÓN M. ATRÁS BALLS GEAR R.V. CUS. PIGNONE M. INDIETRO 
200G	1999	1999	REC93311-928U5	REC93317-330U2 AGUJAS / NEEDLE / SPILLI REC93341-930V2 AXIAL / ASSIALE		REC93315-430U8	REC93315-425V3	REC93332-000V3		REC93306-209U0
200G ETO	2000	2000	REC93311-928U5	REC93317-330U2 AGUJAS / NEEDLE / SPILLI REC93341-930V2 AXIAL / ASSIALE		REC93315-430U8	REC93315-425V3	REC93332-000V3		REC93306-209U0
200G ETOL	2001	2003	REC93311-928U5	REC93317-330U2 AGUJAS / NEEDLE / SPILLI REC93341-930V2 AXIAL / ASSIALE		REC93315-430U8	REC93315-425V3	REC93332-000V3		REC93306-209U0
F200A ETX	2002	2006	REC93311-83280	REC93317-330U2		REC93315-43061		REC93332-000W1		REC93306-209U0 STD. ROT REC93332-00048 C.ROT.
F200C ETX	2006	2006	REC93311-83280	REC93317-330U2				REC93332-000W1		REC93306-209U0 STD. ROT REC93332-00048 C.ROT.
FL200A ETX	2002	2006	REC93311-83280	REC93317-330U2		REC93315-43061		REC93332-000W1		REC93306-209U0 STD. ROT REC93332-00048 C.ROT.
FL200C ETX	2006	2006	REC93311-83280	REC93317-330U2				REC93332-000W1		REC93306-209U0 STD. ROT REC93332-00048 C.ROT.
L200A	1988	1989	REC93311-928U5	REC93317-330U2 AGUJAS / NEEDLE / SPILLI REC93341-930U2 AXIAL / ASSIALE		REC93315-430U8	REC93315-425V3	REC93390-000U2	REC93315-430V5	REC93332-00048
L200B	1990	1994	REC93311-928U5	REC93317-330U2 AGUJAS / NEEDLE / SPILLI REC93341-930U2 AXIAL / ASSIALE			REC93315-425V3	REC93332-000V3 STD. ROT REC93390-000U2 C.ROT.	REC93315-430V5	REC93306-209U0
L200F	1996	1998	REC93311-928U5	REC93315-430V5 AGUJAS / NEEDLE / SPILLI REC93341-930V2 AXIAL / ASSIALE		REC93315-430U8	REC93315-425V3	REC93332-000V3 STD. ROT REC93390-000U2 C.ROT.		REC93306-209U0 STD. ROT REC93332-00048 C.ROT.
L200F ETO	2000	2000	REC93311-928U5	REC93317-330U2 AGUJAS / NEEDLE / SPILLI REC93341-930V2 AXIAL / ASSIALE		REC93315-430U8	REC93315-425V3	REC93332-000V3 STD. ROT REC93390-000U2 C.ROT.		REC93306-209U0 STD. ROT REC93332-00048 C.ROT.
L200F ETOL	2001	2006	REC93311-928U5	REC93317-330U2 AGUJAS / NEEDLE / SPILLI REC93341-930V2 AXIAL / ASSIALE		REC93315-43061	REC93315-425V3	REC93332-000V3 STD. ROT REC93390-000U2 C.ROT.		REC93306-209U0 STD. ROT REC93332-00048 C.ROT.
L200F ETOX	2001	2001	REC93311-928U5	REC93317-330U2		REC93315-430U8	REC93315-425V3	REC93332-000V3 STD. ROT REC93390-000U2 C.ROT.		REC93306-209U0 STD. ROT REC93332-00048 C.ROT.
LZ200N	2000	2000						REC93390-000U2		REC93390-000U2
LZ200N ETO	2000	2000	REC93311-928U5	REC93317-330U2		REC93315-430U8	REC93315-425V3	REC93332-000V3		REC93306-209U0 STD. ROT REC93332-00048 C.ROT.
LZ200N ETOX	2001	2007	REC93311-928U5	REC93317-330U2 AGUJAS / NEEDLE / SPILLI REC93341-930V2 AXIAL / ASSIALE		REC93315-43061	REC93315-425V3	REC93332-000V3 STD. ROT REC93390-000U2 C.ROT.		REC93306-209U0 STD. ROT REC93332-00048 C.ROT.
LZ200T R	2005	2005						REC93390-000U2		REC93390-000U2
LZ200T XRC	2004	2006						REC93390-000U2		REC93390-000U2
LZ200T XRD	2005	2005						REC93390-000U2		REC93390-000U2
Z200N ETO	2000	2000	REC93311-928U5	REC93317-330U2 AGUJAS / NEEDLE / SPILLI REC93341-930V2 AXIAL / ASSIALE		REC93315-430U8	REC93315-425V3	REC93332-000V3		REC93306-209U0 STD. ROT REC93332-00048 C.ROT.
Z200N ETOL	2001	2006	REC93311-928U5	REC93317-330U2 AGUJAS / NEEDLE / SPILLI REC93341-930V2 AXIAL / ASSIALE		REC93315-43061	REC93315-425V3	REC93332-000V3 STD. ROT REC93390-000U2 C.ROT.		REC93306-209U0 STD. ROT REC93332-00048 C.ROT.
Z200N ETOX	2001	2006	REC93311-928U5	REC93317-330U2 AGUJAS / NEEDLE / SPILLI REC93341-930V2 AXIAL / ASSIALE		REC93315-43061	REC93315-425V3	REC93332-000V3 STD. ROT REC93390-000U2 C.ROT.		REC93306-209U0 STD. ROT REC93332-00048 C.ROT.
Z200P ETOL	2003	2006	REC93311-928U5	REC93317-330U2 AGUJAS / NEEDLE / SPILLI REC93341-930V2 AXIAL / ASSIALE		REC93315-43061	REC93315-425V3	REC93332-000V3		REC93306-209U0
220A	1984	1986	REC93311-928U5	REC93317-330U2 AGUJAS / NEEDLE / SPILLI REC93341-930U2 AXIAL / ASSIALE		REC93315-430U8	REC93315-425V3	REC93332-000V3		REC93306-209U0
225A	1987	1989	REC93311-928U5	REC93317-330U2 AGUJAS / NEEDLE / SPILLI REC93341-930U2 AXIAL / ASSIALE		REC93315-430U8	REC93315-425V3			REC93306-209U0
225B	1990	1994	REC93311-928U5	REC93317-330U2 AGUJAS / NEEDLE / SPILLI REC93341-930U2 AXIAL / ASSIALE		REC93315-430U8	REC93315-425V3	REC93332-000V3		REC93306-209U0
225B	1995	1995	REC93311-928U5	REC93315-430V5			REC93315-425V3	REC93332-000V3		REC93306-209U0

MODELO MODEL MODELLO	DESDE FROM DELL' ANNO	HASTA TO ALL' ANNO	AGUJA EJE COLA CYLIND. DRIVE SHAFT CUSCINETTO INF. ASSE VERT.	RODILLOS EJE VERT. ROLL BEAR DRIVE SHAFT CUS. INTERNO ASSE VERTICALE	PIÑÓN ATAQUE ROLL. BEARING GEAR CUS. PIGNONE INNESTO	AGUJAS DIÁBOLO CYL. CUS. CARRIER COP. CASSA INGRANAGGI	AGUJAS M. AVAN CYL. GEAR FW CUS. A RULLI FIG. M. AVANTI	ROD. PIÑÓN M. AVAN. ROLL BEAR GEAR FW CUS. CONICI FIG. M. AVANTI	AGUJAS M. ATRÁS CYL. GEAR R.V. CUS. CONICI FIG. M. INDIETRO	PIÑÓN M. ATRÁS BALLS GEAR R.V. CUS. PIGNONE M. INDIETRO
225C	1994	1994	REC93311-83280	REC93317-330U2		REC93315-430U8		REC93332-000W1		REC93306-210U0
225C	1995	1995	REC93311-83280	REC93315-430V5						
225D	1996	1998	REC93311-928U5	REC93315-430V5 AGUJAS / NEEDLE / SPILLI REC93341-930V2 AXIAL / ASSIALE		REC93315-430U8	REC93315-425V3	REC93332-000V3		REC93306-209U0
225D ETO	2000	2000	REC93311-928U5	REC93317-330U2 AGUJAS / NEEDLE / SPILLI REC93341-930V2 AXIAL / ASSIALE		REC93315-430U8	REC93315-425V3	REC93332-000V3		REC93306-209U0
225D ETOL	2001	2003	REC93311-928U5	REC93317-330U2 AGUJAS / NEEDLE / SPILLI REC93341-930V2 AXIAL / ASSIALE		REC93315-430U8	REC93315-425V3	REC93332-000V3		REC93306-209U0
225D ETOX	2001	2003	REC93311-928U5	REC93317-330U2 AGUJAS / NEEDLE / SPILLI REC93341-930V2 AXIAL / ASSIALE		REC93315-430U8	REC93315-425V3	REC93332-000V3		REC93306-209U0
225G	1999	1999	REC93311-83280	REC93317-330U2		REC93330-43061		REC93332-000W1		REC93306-210U0
225G ETO	2000	2000	REC93311-83280	REC93317-330U2		REC93330-43061		REC93332-000W1		REC93306-210U0
225G ETOL	2001	2003	REC93311-928U5	REC93317-330U2		REC93330-43061		REC93332-000W1		REC93306-210U0
F225A ETU	2003	2006		REC93317-330U2		REC93315-43061		REC93332-000W1		REC93306-209U0 STD. ROT REC93332-00048 C.ROT.
F225A ETX	2002	2006	REC93311-83280	REC93317-330U2		REC93315-43061		REC93332-000W1		REC93306-209U0 STD. ROT REC93332-00048 C.ROT.
FL225A ETX	2002	2006	REC93311-83280	REC93317-330U2		REC93315-43061		REC93332-000W1		REC93306-209U0 STD. ROT REC93332-00048 C.ROT.
L225C	1994	1994	REC93311-83280	REC93317-330U2		REC93315-430U8		REC93332-000W1		REC93306-210U0
L225C	1995	1995	REC93311-83280	REC93315-430V5				REC93332-000W1		REC93306-210U0
250A	1990	1994	REC93311-83280	REC93317-330U2		REC93315-430U8		REC93332-000W1		REC93306-210U0
250A	1995	1998	REC93311-83280	REC93315-430V5				REC93332-000W1		REC93306-210U0
250A ETO	2000	2000	REC93311-83280	REC93317-330U2		REC93315-430U8		REC93332-000W1		REC93306-210U0
250A ETOX	2001	2006	REC93311-83280	REC93317-330U2		REC93315-43061		REC93332-000W1		REC93306-210U0
250B	1997	1998	REC93311-83280	REC93317-330U2		REC93315-430U8		REC93332-000W1		REC93306-210U0
250B ETO	2000	2000	REC93311-83280	REC93317-330U2		REC93315-430U8		REC93332-000W1		REC93306-210U0
250B ETOX	2001	2003	REC93311-83280	REC93317-330U2		REC93315-430U8		REC93332-000W1		REC93306-210U0
250G ETOX	2006	2006	REC93311-83280	REC93317-330U2		REC93315-43061		REC93332-000W1		REC93306-210U0
F250A ETU	2006	2006	REC93311-83280	REC93317-330U2				REC93332-000W1		REC93306-210U0 REC93306-209U0 STD. ROT REC93332-00048 C.ROT.
F250A ETX	2006	2006	REC93311-83280	REC93317-330U2				REC93332-000W1		REC93306-209U0 STD. ROT REC93332-00048 C.ROT.
FL250A ETU	2006	2006	REC93311-83280	REC93317-330U2				REC93332-000W1		REC93306-209U0 STD. ROT REC93332-00048 C.ROT.
FL250A ETX	2006	2006	REC93311-83280	REC93317-330U2				REC93332-000W1		REC93306-209U0 STD. ROT REC93332-00048 C.ROT.
L250A	1990	1994	REC93311-83280	REC93317-330U2		REC93315-430U8		REC93332-000W1	REC93315-430U8	REC93315-430U8
L250A	1995	1998	REC93311-83280	REC93315-430V5				REC93332-000W1		REC93306-210U0
L250A ETO	2000	2000	REC93311-83280	REC93317-330U2		REC93315-430U8		REC93332-000W1		REC93306-210U0
L250A ETOX	2001	2006	REC93311-83280	REC93317-330U2		REC93315-43061		REC93332-000W1		REC93306-210U0
L250B	1997	1998	REC93311-83280	REC93317-330U2		REC93315-430U8		REC93332-000W1		REC93306-210U0
L250B ETO	2000	2000	REC93311-83280	REC93317-330U2		REC93315-430U8		REC93332-000W1		REC93306-210U0
L250B ETOX	2001	2003	REC93311-83280	REC93317-330U2		REC93315-430U8		REC93332-000W1		REC93306-210U0
L250G ETOX	2006	2006	REC93311-83280	REC93317-330U2		REC93315-43061		REC93332-000W1		REC93306-210U0
LZ250D EOX	2003	2006	REC93311-83280	REC93317-330U2		REC93315-43061		REC93332-000W1		REC93306-209U0 STD. ROT REC93332-00048 C.ROT.
Z250D ETOU	2003	2003	REC93311-83280	REC93317-330U2		REC93315-43061		REC93332-000W1		REC93306-209U0 STD. ROT REC93332-00048 C.ROT.
Z250D ETOX	2003	2006	REC93311-83280	REC93317-330U2		REC93315-43061		REC93332-000W1		REC93306-209U0 STD. ROT REC93332-00048 C.ROT.
Z250F ETOL LZ300A ETOX Z300A ETOU Z300A ETOX	2003 2004	2006 2006	REC93311-83280 REC93311-83280	REC93317-330U2 REC93317-330U2		REC93315-43061 REC93315-43061		REC93332-000W1 REC93332-000W1		REC93315-43061 REC93306-209U0 STD. ROT REC93332-00048 C.ROT.



GUÍA BOMBAS AGUA WATER PUMP GUIDE GUIDA POMPA ACQUA

MODELO MODEL MODELLO	DESDE FROM DELL' ANNO	IMPULSOR IMPELLER GIRANTE	ACOPLE INOX. CUP BOCCOLA INOC	TAPA BOMBA PLATE PIASTRA POMPA	CUERPO BOMBA HOUSING CORPO POMPA	JUNTA GASKET GUARNIZIONE	RETÉN TUBO FLECTOR TENUTA	CHAVETA KEY CHIAVETA	KIT REP. BOMBA WATER PUMP KIT KIT RICAMBI
F2.5	2003 +	REC6L5-44352-00	PAF2.6-03000015	PAF2.6-03000010	PAF2.6-03000014	PAJASO F404-19-033	PAF4-03000021	PAF2.6-03000013	
F4	2002-2009	REC6E0-44352-00	REC6E0-44322-02	PAF4-03000015	PAF4-03000019	PAF4-03000018	PAF4-03000021	PAF4-03000016	
F5	2010+	REC6E0-44352-00	PAF6-03000002		PAF6-03000001		PAF4-03000021	PAF4-03000016	
F6 2CYL	2000-2009	REC68T-44352-00	REC63V-44322-00	REC68T-44323-00	REC63V-44301-00	REC93210-44398	REC68T-44366-00	REC664-44338-00	REC68T-W0078-00
F6 1CYL	2010 +	REC6E0-44352-00	PAF6-03000002		PAF6-03000001	PAF4-03000018	PAF4-03000021	PAF4-03000016	
F8	2001 +	REC68T-44352-00	REC63V-44322-00	REC68T-44323-00	REC63V-44301-00	REC93210-44398	REC68T-44366-00	REC664-44338-00	REC68T-W0078-00
T8	2001-2010	REC63V-44352-01	REC63V-44322-00	REC68T-44323-00	REC63V-44301-00	REC93210-44398	REC68T-44366-00	REC664-44338-00	
F9.9	1985-2004	REC682-44352-01	REC682-44322-00	REC682-44323-40	REC682-44300-01	REC682-44315-00	REC682-44365-00	REC90280-03024	REC682-W0078-A1
F9.9	2005-2006	REC63V-44352-01	REC63V-44322-00	REC63V-44323-00	REC63V-44301-00	REC93210-44398	PAF15-06060004	REC664-44338-00	REC63V-W0078-01
F9.9	2007 +	REC63V-44352-01	REC63V-44322-00	REC68T-44323-00	REC63V-44301-00	REC93210-44398	REC68T-44366-00	REC664-44338-00	REC68T-W0078-00
FT9.9	1985-1999	REC682-44352-01	REC682-44322-00	REC682-44323-40	REC682-44300-01	REC682-44315-00	REC682-44365-00	REC90280-03024	REC682-W0078-A1
T9.9	1991-1999	REC682-44352-01	REC682-44322-00	REC682-44323-40	REC682-44300-01	REC682-44315-00	REC682-44365-00	REC90280-03024	REC682-W0078-A1
T9.9	2005-2006	REC63V-44352-01	REC63V-44322-00	REC63V-44323-00	REC63V-44301-00	REC93210-44398	PAF15-06060004	REC664-44338-00	REC63V-W0078-01
F15	1998-2005	REC63V-44352-01	REC63V-44322-00	REC63V-44323-00	REC63V-44301-00	REC93210-44398	PAF15-06060004	REC664-44338-00	REC63V-W0078-01
F15	2006-2011	REC63V-44352-01	REC63V-44322-00	REC68T-44323-00		REC93210-49046	GLM38304	REC664-44338-00	
F20/F25	1998-05,09-11	REC6H4-44352-02	REC61N-44322-00	REC61N-44323-00	PAF25-04050001	PAF25-04050003	PAF25-04050004	REC90280-03024	REC61N-W0078-11
T25	2001-06,2009	REC6H4-44352-02	REC63D-44322-00	REC66T-44323-00	REC66T-44311-00	REC93210-59MG7		REC90280-03M03	REC66T-W0078-00
F30	2001-2005	REC6H4-44352-02	REC63D-44322-00	REC66T-44323-00	REC66T-44311-00	REC93210-59MG7		REC90280-03M03	REC66T-W0078-00
F40	1999	REC6H3-44352-00	REC63D-44322-00	GLM12524	REC63D-44311-00	REC93210-59MG7		REC90280-03024	GLM12276
F40	2000-2008	REC6H4-44352-02	REC63D-44322-00	REC66T-44323-00	REC66T-44311-00	REC93210-59MG7		REC90280-03M03	REC66T-W0078-00
F45	1996+	REC6H3-44352-00	REC63D-44322-00	GLM12524	REC63D-44311-00	REC93210-59MG7		REC90280-03024	GLM12276
F50	1995-2009	REC6H3-44352-00	REC63D-44322-00	GLM12524	REC63D-44311-00	REC93210-59MG7		REC90280-03024	GLM12276
T50	1996+	REC6H3-44352-00	REC663-44322-00	REC6H3-44323-00	REC6H3-44311-00	REC6H3-44315-00		REC90280-03024	GLM12283
F60	2002-2009	REC6H3-44352-00	REC63D-44322-00	GLM12524	REC6H3-44311-00	REC6H3-44315-00		REC90280-03M03	GLM12276
T60	2003-2011	REC6H3-44352-00	REC663-44322-00	REC6H3-44323-00	REC6H3-44311-00	REC6H3-44315-00		REC90280-03M03	GLM12283
F75	2003-2011	REC67F-44352-00	GLM12872	GLM12523	REC67F-44311-01	REC688-44315-00		REC90280-04M04	GLM12275
F80	1999-2003	REC67F-44352-00	GLM12872	GLM12523	REC67F-44311-01	REC688-44315-00		REC90280-04M04	GLM12275
F90	2003-2011	REC67F-44352-00	GLM12872	GLM12523	REC67F-44311-01	REC688-44315-00		REC90280-04M04	GLM12275
F100	1999-2003	REC67F-44352-00	GLM12872	GLM12523	REC67F-44311-01	REC688-44315-00		REC90280-04M04	GLM12275
F115/FL115	2000+	REC6E5-44352-01	REC61A-44322-02	REC68V-44323-00	REC61A-44311-00	REC93210-86M38		REC90280-04M05	GLM12067
F150/FL150	2004-2012	REC6E5-44352-01	REC61A-44322-02	REC6G5-44323-00	REC61A-44311-00	REC93310-86M38	GLM38300	REC90280-04M05	REC61A-W0078-A2
F200/FL200	2002-2011	REC6E5-44352-01	REC61A-44322-02	REC6G5-44323-00	REC61A-44311-00	REC93310-86M38	GLM38300	REC90280-04M05	REC61A-W0078-A2
VF200	2009-2011	REC6E5-44352-01	REC61A-44322-02		REC61A-44311-00	REC93210-86M38	GLM38300	GLM89585	
F225/FL225	2002-2010	REC6E5-44352-01	REC61A-44322-02	REC6G5-44323-00	REC61A-44311-00	REC93310-86M38	GLM38300	REC90280-04M05	REC61A-W0078-A2
F225/FL225	2007-2009 (20")	REC6E5-44352-01	REC61A-44322-02	REC6P2-44323-00	REC61A-44311-00	REC93210-86M38	GLM38300	REC90280-04M05	REC6P2-W0078-00
VF225	2009-2011	REC6E5-44352-01	REC61A-44322-02		REC61A-44311-00	REC93210-86M38	GLM38300	GLM89585	
F250/FL250	2005	REC6E5-44352-01	REC61A-44322-02	REC6G5-44323-00	REC61A-44311-00	REC93210-86M38	GLM38300	REC90280-04M05	REC61A-W0078-A2
F250/FL250	2006-2011	REC6E5-44352-01	REC61A-44322-02	REC6P2-44323-00	REC61A-44311-00	REC93210-86M38	GLM38300	REC90280-04M05	REC6P2-W0078-00
VF250	2009-2010	REC6E5-44352-01	REC61A-44322-02		REC61A-44311-00	REC93210-86M38	GLM38300	REC90280-04M05	
F300/FL300	2007-2011	CEF500389N							
F350/LF350	2007+	CEF500389N							



GUÍA BOMBAS AGUA WATER PUMP GUIDE GUIDA POMPA ACQUA

MODELO MODEL MODELLO	DESDE FROM DELL' ANNO	IMPULSOR IMPELLER GIRANTE	ACOPLE INOX. CUP BOCCOLA INOC	TAPA BOMBA PLATE PIASTRA POMPA	CUERPO BOMBA HOUSING CORPO POMPA	JUNTA GASKET GUARNIZIONE	RETÉN TUBO FLECTOR TENUTA	CHAVETA KEY CHIAVETA	KIT REP. BOMBA WATER PUMP KIT KIT RICAMBI
2	1984-87	REC646-44352-01		REC646-44323-00					REC6A1-W0078-01
2	1988+	REC646-44352-01		REC646-44323-00					
4	1984-99	REC6E0-44352-00	REC6E0-44322-02	PAF4-03000015			PAF4-03000021		
5	1984-02	REC6E0-44352-00	REC6E0-44322-02	PAF4-03000015			PAF4-03000021		
6	1986-00	REC6G1-44352-00	REC6G1-44322-00	REC6G1-44323-00		REC6G1-44315-A0	REC647-44366-00	REC90280-03024	REC6G1-W0078-A1
8	1984-09	REC6G1-44352-00	REC6G1-44322-00	REC6G1-44323-00		REC6G1-44315-A0	REC647-44366-00	REC90280-03024	REC6G1-W0078-A1
9.9	1984-95	REC682-44351-01	REC682-44322-00	REC682-44323-40	REC682-44300-01	REC682-44315-00	REC682-44365-00	REC90280-03024	REC682-W0078-A1
9.9	1996-09	REC63V-44352-01	REC63V-44322-00	REC63V-44323-00	REC63V-44301-00	REC93210-44398	REC647-44366-00	REC664-44338-00	GLM12066
15	1984-95	REC682-44351-01	REC682-44322-00	REC682-44323-40	REC682-44300-01	REC682-44315-00	REC682-44365-00	REC90280-03024	REC682-W0078-A1
15	1996-09	REC63V-44352-01	REC63V-44322-00	REC63V-44323-00	REC63V-44301-00	REC93210-44398	REC647-44366-00	REC664-44338-00	GLM12066
20	1996-97	REC6L2-44352-00	GLM12866	GLM12508	GLM12455	GLM84310	GLM38304	PAF25-04000015	GLM12277
25	1984-85	REC689-44352-02	REC689-W4432-01	REC689-44323-00	GLM12076	GLM38109	GLM38305	GLM89589	GLM12058
25	1986-87	REC689-44352-02	REC689-W4432-01	REC689-44323-00	GLM12076	GLM38109	GLM38305	REC664-44338-00	GLM12059
25(2 CYL)	1988-09	REC6L2-44352-00	GLM12866	GLM12508	GLM12455	GLM84310	GLM38304	PAF25-04000015	GLM12277
25(3 CYL)	1996-02	REC6H4-44352-02	REC663-44322-00	REC663-44323-00	REC663-44311-00	REC663-44315-A0	REC663-44366-00	REC90280-03024	GLM12285
C25	1990-97	REC689-44352-02	REC689-W4432-01	REC689-44323-00	GLM12076	GLM38109	GLM38305	REC664-44338-00	GLM12059
CV25	1990	REC689-44352-02	REC689-W4432-01	REC689-44323-00	GLM12076	GLM38109	GLM38305	REC664-44338-00	GLM12059
30	1984-85	REC689-44352-02	REC689-W4432-01	REC689-44323-00	GLM12076	GLM38109	GLM38305	GLM89589	GLM12058
30	1986	REC689-44352-02	REC689-W4432-01	REC689-44323-00	GLM12076	GLM38109	GLM38305	REC664-44338-00	GLM12059
30	1987-01	REC6H4-44352-02	REC663-44322-00	REC663-44323-00	REC663-44311-00	REC663-44315-A0	REC663-44366-00	REC90280-03024	GLM12285

MODELO MODEL MODELLO	DESDE FROM DELL'ANNO	IMPULSOR IMPELLER GRANITE	ACOPLE INOX. CUP BOCCOLA INOC	TAPA BOMBA PLATE PIASTRA POMPA	CUERPO BOMBA HOUSING CORPO POMPA	JUNTA GASKET GUARNIZIONE	RETÉN TUBO FLECTOR TENUTA	CHAVETA KEY CHIAVETA	KIT REP. BOMBA WATER PUMP KIT KIT RICAMBI
C30	1990-92	REC689-44352-02	REC689-W4432-01	REC689-44323-00	GLM12076	GLM38109	GLM38305	REC664-44338-00	GLM12059
C30	1993-97	REC6H4-44352-02	REC61N-44322-00	REC61N-44323-00	PAF25-04050001	PAF25-04050003	PAF25-04050004	REC90280-03024	REC61N-W0078-11
40	1984-87	REC6H4-44352-02	REC663-44322-00	REC663-44323-00	REC663-44311-00	REC663-44315-A0	REC663-44366-00	REC90280-03024	GLM12064
40	1988-94	REC6H4-44352-02	REC663-44322-00	REC663-44323-00	GLM12452	REC663-44315-A0	REC663-44366-00	REC90280-03024	GLM12064
40	1995-05	REC6H3-44352-00	REC63D-44322-00	GLM12524	REC63D-44311-01	REC93210-59MG7	REC663-44366-00	REC90280-03024	GLM12276
C40	1990-91	REC6F5-44352-00	REC676-44322-00	REC676-44323-00-40	REC676-44311-00	REC676-44315-00	REC663-44366-00	REC90280-04M00	REC6F5-W0078-A0
C40	1992-97	REC6F5-44352-00	REC676-44322-00	REC676-44323-00-40	REC676-44311-00	REC676-44315-00	REC663-44366-00	REC90280-04M00	REC679-W0078-A1
C40	1997-03	REC6H3-44352-00	REC63D-44322-00	GLM12524	REC63D-44311-01	REC93210-59MG7	REC663-44366-00	REC90280-03024	GLM12276
P40	1998	REC6H3-44352-00	REC63D-44322-00	GLM12524	REC63D-44311-01	REC93210-59MG7	REC663-44366-00	REC90280-03024	GLM12276
50	1984-87	REC6H4-44352-02	REC663-44322-00	REC663-44323-00	REC663-44311-00	REC663-44315-A0	REC663-44366-00	REC90280-03024	GLM12064
50	1988-94	REC6H4-44352-02	REC663-44322-00	REC663-44323-00	REC663-44311-00	REC663-44315-A0	REC663-44366-00	REC90280-03024	GLM12064
50	1995-09	REC6H3-44352-00	REC63D-44322-00	GLM12524	REC63D-44311-01	REC93210-59MG7	REC663-44366-00	REC90280-03024	GLM12276
C50	1998-01	REC6H3-44352-00	REC63D-44322-00	GLM12524	REC63D-44311-01	REC93210-59MG7	REC663-44366-00	REC90280-03024	GLM12276
PRO 50	1987	REC6H4-44352-02	REC663-44322-00	REC663-44323-00	REC663-44311-00	REC663-44315-A0	REC663-44366-00	REC90280-03024	GLM12064
PRO 50	1988-90	REC6H4-44352-02	REC663-44322-00	REC663-44323-00	REC663-44311-00	REC663-44315-A0	REC663-44366-00	REC90280-03024	GLM12064
P50	1991-93	REC6H4-44352-02	REC663-44322-00	REC663-44323-00	REC663-44311-00	REC663-44315-A0	REC663-44366-00	REC90280-03024	GLM12064
P50	1995-96	REC6H3-44352-00	REC689-W4432-01	GLM12524	REC63D-44311-01	REC93210-59MG7	REC663-44366-00	REC90280-03024	GLM12276
C55	1991-94	REC6H3-44352-00	REC663-44322-00	REC663-44323-00	REC663-44311-00	REC663-44315-A0	REC663-44366-00	REC90280-03M03	REC663-W0078-01
CV55	1989	REC6H3-44352-00	REC663-44322-00	REC663-44323-00	REC663-44311-00	REC663-44315-A0	REC663-44366-00	REC90280-03M03	REC663-W0078-01
60	2001-03	REC6H3-44352-00	REC663-44322-00	REC6H3-44323-00	GLM12447	REC6H3-44315-00	REC663-44366-00	REC90280-03M03	GLM12283
60	2004-05	REC688-44352-03	REC688-44322-00	REC688-44323-00	REC688-44311-01	REC688-44315-00	REC663-44366-00	REC90280-04M04	REC692-W0078-02
C60	1996-01	REC6H3-44352-00	REC663-44322-00	REC6H3-44323-00	GLM12447	REC6H3-44315-00	REC663-44366-00	REC90280-03M03	GLM12283
E60	1995-96	REC6H3-44352-00	REC663-44322-00	REC6H3-44323-00	GLM12447	REC6H3-44315-00	REC663-44366-00	REC90280-03M03	GLM12283
E60	1997-00	REC6H3-44352-00		REC6H3-44323-00	GLM12447	REC6H3-44315-00	REC663-44366-00	REC90280-03M03	REC6K5-W0078-01
P60	1991	REC6H3-44352-00	REC663-44322-00	REC6H3-44323-00	GLM12447	REC6H3-44315-00	REC663-44366-00	REC90280-03M03	GLM12283
P60	1992-99	REC6H3-44352-00	REC663-44322-00	REC6H3-44323-00	GLM12447	REC6H3-44315-00	REC663-44366-00	REC90280-03M03	GLM12283
70	1984-91	REC6H3-44352-00	REC663-44322-00	REC6H3-44323-00	GLM12447	REC6H3-44315-00	REC663-44366-00	REC90280-03M03	GLM12283
70	1992-03	REC6H3-44352-00	REC663-44322-00	REC6H3-44323-00	GLM12447	REC6H3-44315-00	REC663-44366-00	REC90280-03M03	GLM12283
70	2004-09	REC688-44352-03	REC688-44322-00	REC688-44323-00	REC688-44311-01	REC688-44315-00	REC663-44366-00	REC90280-04M04	REC692-W0078-02
C70	2000-01	REC6H3-44352-00	REC663-44322-00	REC6H3-44323-00	GLM12447	REC6H3-44315-00	REC663-44366-00	REC90280-03M03	GLM12283
C75	1994-99	REC688-44352-03	REC688-44322-00	REC688-44323-00	REC688-44311-01	REC688-44315-00	REC663-44366-00	REC90280-04M04	REC692-W0078-02
E75	1995-00	REC688-44352-03	N/A	REC688-44323-00	REC688-44311-01	REC688-44315-00	REC663-44366-00	REC90280-04M04	REC692-W0078-02
P75	1996-99	REC688-44352-03	REC688-44322-00	REC688-44323-00	REC688-44311-01	REC688-44315-00	REC663-44366-00	REC90280-04M04	REC692-W0078-02
C80	1997	REC688-44352-03	REC688-44322-00	REC688-44323-00	REC688-44311-01	REC688-44315-00	REC663-44366-00	REC90280-04M04	REC692-W0078-02
C85	1989-97	REC688-44352-03	REC688-44322-00	REC688-44323-00	REC688-44311-01	REC688-44315-00	REC663-44366-00	REC90280-04M04	REC692-W0078-02
CV85	1989-91	REC688-44352-03	REC688-44322-00	REC688-44323-00	REC688-44311-01	REC688-44315-00	REC663-44366-00	REC90280-04M04	REC692-W0078-02
90	1984-09	REC688-44352-03	REC688-44322-00	REC688-44323-00	REC688-44311-01	REC688-44315-00	REC663-44366-00	REC90280-04M04	REC692-W0078-02
B90	1997-99	REC688-44352-03	REC688-44322-00	REC688-44323-00	REC688-44311-01	REC688-44315-00	REC663-44366-00	REC90280-04M04	REC692-W0078-02
C90	1997-01	REC688-44352-03	REC688-44322-00	REC688-44323-00	REC688-44311-01	REC688-44315-00	REC663-44366-00	REC90280-04M04	REC692-W0078-02
C115	1991-92	REC6E5-44352-01	REC6E5-44322-00	REC6E5-44323-00-40	REC6E5-44311-00	REC93210-86M38	GLM38301	REC90280-04M05	REC6N6-W0078-02
C115	1993-96	REC6E5-44352-01	REC6E5-44322-00	REC6E5-44323-00-40	REC6E5-44311-00	REC93210-86M38	GLM38301	REC90280-04M05	REC6N6-W0078-02
C115	1997-00	REC6E5-44352-01	REC6E5-44322-00	REC6E5-44323-00-40	REC6E5-44311-00	REC93210-86M38	GLM38301	REC90280-04M05	REC6N6-W0078-02
P115 (62A)	1993-96	REC6E5-44352-01	REC6E5-44322-00	REC6E5-44323-00-40	REC6E5-44311-00	REC93210-86M38	GLM38301	REC90280-04M05	REC6N6-W0078-02
115 (6N/6E5)	1984-94	REC6E5-44352-01	REC6E5-44322-00	REC6E5-44323-00-40	REC6E5-44311-00	REC93210-86M38	GLM38301	REC90280-04M05	REC6N6-W0078-02
115 (6N6)	1994	REC6E5-44352-01	REC6E5-44322-00	REC6E5-44323-00-40	REC6E5-44311-00	REC93210-86M38	GLM38301	REC90280-04M05	REC6N6-W0078-02
130 (6L/6N7)	1988-92	REC6E5-44352-01	REC6E5-44322-00	REC6E5-44323-00-40	REC6E5-44311-00	REC93210-86M38	GLM38301	REC90280-04M05	REC6N6-W0078-02
130 (6N7)	1993-96	REC6E5-44352-01	REC6E5-44322-00	REC6E5-44323-00-40	REC6E5-44311-00	REC93210-86M38	GLM38301	REC90280-04M05	REC6N6-W0078-02
130, L130	1997-01	REC6E5-44352-01	REC6E5-44322-00	REC6E5-44323-00-40	REC6E5-44311-00	REC93210-86M38	GLM38301	REC90280-04M05	REC6N6-W0078-02
130	2002-04	REC6E5-44352-01	REC6E5-44322-00	REC6E5-44323-00-40	REC6E5-44311-00	REC93210-86M38	GLM38301	REC90280-04M05	REC6N6-W0078-02
L130 (6L/6N4)	1989-92	REC6E5-44352-01	REC6E5-44322-00	REC6E5-44323-00-40	REC6E5-44311-00	REC93210-86M38	GLM38301	REC90280-04M05	REC6N6-W0078-02
L130 (6N4)	1993-96	REC6E5-44352-01	REC6E5-44322-00	REC6E5-44323-00-40	REC6E5-44311-00	REC93210-86M38	GLM38301	REC90280-04M05	REC6N6-W0078-02
C150 (6E5)	1996-99	REC6E5-44352-01	REC6E5-44322-00	REC6E5-44323-00-40	REC6E5-44311-00	REC93210-86M38	GLM38301	REC90280-04M05	REC6E5-W0078-A1
150 (6R2/6G4)	1984-91	REC6E5-44352-01	REC6E5-44322-00	REC6E5-44323-00-40	REC6E5-44311-00	REC93210-86M38	GLM38301	REC90280-04M05	REC6G5-W0078-A1
150 (6R2)	1992-09	REC6E5-44352-01	REC6E5-44322-00	REC6E5-44323-00-40	REC6E5-44311-00	REC93210-86M38	GLM38301	REC90280-04M05	REC6E5-W0078-A1
L150 (6R0/6K0)	1986-91	REC6E5-44352-01	REC6E5-44322-00	REC6E5-44323-00-40	REC6E5-44311-00	REC93210-86M38	GLM38301	REC90280-04M05	REC6G5-W0078-A1
L150 (6R0)	1992-99	REC6E5-44352-01	REC6E5-44322-00	REC6E5-44323-00-40	REC6E5-44311-00	REC93210-86M38	GLM38301	REC90280-04M05	REC6E5-W0078-A1
P150	1986-91	REC6E5-44352-01	REC6E5-44322-00	REC6E5-44323-00-40	REC6E5-44311-00	REC93210-86M38	GLM38301	REC90280-04M05	REC6G5-W0078-A1
P150	1992-99	REC6E5-44352-01	REC6E5-44322-00	REC6E5-44323-00-40	REC6E5-44311-00	REC93210-86M38	GLM38301	REC90280-04M05	REC6E5-W0078-A1
150/175/ 200ETLN	1984	REC6E5-44352-01	REC6E5-44322-00	REC6E5-44323-00-40	REC6E5-44311-00	REC93210-86M38	GLM38301	REC90280-04M05	REC6G5-W0078-A1
PRO V150 (6J9)	1986-89	REC6E5-44352-01	REC6E5-44322-00	REC6E5-44323-00-40	REC6E5-44311-00	REC93210-86M38	GLM38301	REC90280-04M05	REC6G5-W0078-A1
PRO V150 (6N9)	1990	REC6E5-44352-01	REC6E5-44322-00	REC6E5-44323-00-40	REC6E5-44311-00	REC93210-86M38	GLM38301	REC90280-04M05	REC6G5-W0078-A1
PX150	1999	REC6E5-44352-01	REC6E5-44322-00	REC6E5-44323-00-40	REC6E5-44311-00	REC93210-86M38	GLM38301	REC90280-04M05	REC6E5-W0078-A1
SX150	1999-04	REC6E5-44352-01	REC6E5-44322-00	REC6E5-44323-00-40	REC6E5-44311-00	REC93210-86M38	GLM38301	REC90280-04M05	REC6E5-W0078-A1
V150	2000-08	REC6E5-44352-01	REC6E5-44322-00	REC6E5-44323-00-40	REC6E5-44311-00	REC93210-86M38	GLM38301	REC90280-04M05	REC6E5-W0078-A1
VZ150	2001-09	REC6E5-44352-01	REC6E5-44322-00	REC6E5-44323-00-40	REC6E5-44311-00	REC93210-86M38	GLM38301	REC90280-04M05	REC6E5-W0078-A1
Z150/LZ150	2001-05	REC6E5-44352-01	REC6E5-44322-00	REC6E5-44323-00-40	REC6E5-44311-00	REC93210-86M38	GLM38301	REC90280-04M05	REC6E5-W0078-A1
175 (6G5)	1984-91	REC6E5-44352-01	REC6E5-44322-00	REC6E5-44323-00-40	REC6E5-44311-00	REC93210-86M38	GLM38301	REC90280-04M05	REC6G5-W0078-A1
175 (6R3)	1992-00	REC6E5-44352-01	REC6E5-44322-00	REC6E5-44323-00-40	REC6E5-44311-00	REC93210-86M38	GLM38301	REC90280-04M05	REC6E5-W0078-A1
P175 (62H)	1994-99	REC6E5-44352-01	REC6E5-44322-00	REC6E5-44323-00-40	REC6E5-44311-00	REC93210-86M38	GLM38301	REC90280-04M05	REC6E5-W0078-A1
VZ175	2001-09	REC6E5-44352-01	REC6E5-44322-00	REC6E5-44323-00-40	REC6E5-44311-00	REC93210-86M38	GLM38301	REC90280-04M05	REC6E5-W0078-A1
Z175	2001-05	REC6E5-44352-01	REC6E5-44322-00	REC6E5-44323-00-40	REC6E5-44311-00	REC93210-86M38	GLM38301	REC90280-04M05	REC6E5-W0078-A1
200(6G6/6R4)	1984-91	REC6E5-44352-01	REC6E5-44322-00	REC6E5-44323-00-40	REC6E5-44311-00	REC93210-86M38	GLM38301	REC90280-04M05	REC6G5-W0078-A1

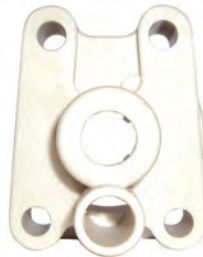
MODELO MODEL MODELLO	DESDE FROM DELL' ANNO	IMPULSOR IMPELLER GIRANTE	ACOPLE INOX. CUP BOCCOLA INOC	TAPA BOMBA PLATE PIASTRA POMPA	CUERPO BOMBA HOUSING CORPO POMPA	JUNTA GASKET GUARNIZIONE	RETÉN TUBO FLECTOR TENUTA	CHAVETA KEY CHIAVETA	KIT REP. BOMBA WATER PUMP KIT KIT RICAMBI
200 (6R4)	1992-99	REC6E5-44352-01	REC61A-44322-02	REC6G5-44323-00	REC61A-44311-00	REC93210-86M38	GLM38301	REC90280-04M05	REC61A-W0078-A1
L200(6K1/6R1)	1986-01	REC6E5-44352-01	REC6E5-44322-00	REC6E5-44323-00-40	REC6E5-44311-00	REC93210-86M38	GLM38301	REC90280-04M05	REC6G5-W0078-A1
L200	1992-99	REC6E5-44352-01	REC61A-44322-02	REC6G5-44323-00	REC61A-44311-00	REC93210-86M38	GLM38301	REC90280-04M05	REC61A-W0078-A1
LX200	1999-02	REC6E5-44352-01	REC61A-44322-02	REC6G5-44323-00	REC61A-44311-00	REC93210-86M38	GLM38301	REC90280-04M05	REC61A-W0078-A1
P200	1991-99	REC6E5-44352-01	REC61A-44322-02	REC6G5-44323-00	REC61A-44311-00	REC93210-86M38	GLM38301	REC90280-04M05	REC61A-W0078-A1
SX200	1999-05	REC6E5-44352-01	REC61A-44322-02	REC6G5-44323-00	REC61A-44311-00	REC93210-86M38	GLM38301	REC90280-04M05	REC61A-W0078-A1
V200	1998-99	REC6E5-44352-01	REC61A-44322-02	REC6G5-44323-00	REC61A-44311-00	REC93210-86M38	GLM38301	REC90280-04M05	REC61A-W0078-A1
VZ200	2001-04	REC6E5-44352-01	REC61A-44322-02	REC6G5-44323-00	REC61A-44311-00	REC93210-86M38	GLM38301	REC90280-04M05	REC61A-W0078-A1
VZ200	2005-09	REC6E5-44352-01	REC61A-44322-02	GLM12519	REC61A-44311-00	REC93210-86M38	GLM38301	REC90280-04M05	REC60X-W0078-00
Z200/LZ200	2000-10	REC6E5-44352-01	REC61A-44322-02	REC6G5-44323-00	REC61A-44311-00	REC93210-86M38	GLM38301	REC90280-04M05	REC61A-W0078-A1
V6 Special (6G7)	1984-86	REC6E5-44352-01	REC6E5-44322-00	REC6E5-44323-00-40	REC6E5-44311-00	REC93210-86M38	GLM38301	REC90280-04M05	REC6G5-W0078-A1
V6 Excel (6K7)	1987-89	REC6E5-44352-01	REC6E5-44322-00	REC6E5-44323-00-40	REC6E5-44311-00	REC93210-86M38	GLM38301	REC90280-04M05	REC6G5-W0078-A1
225 (6R5)	1990-91	REC6E5-44352-01	REC6E5-44322-00	REC6E5-44323-00-40	REC6E5-44311-00	REC93210-86M38	GLM38301	REC90280-04M05	REC6G5-W0078-A1
225 (2.6L)	1992-97	REC6E5-44352-01	REC61A-44322-02	REC6G5-44323-00	REC61A-44311-00	REC93210-86M38	GLM38301	REC90280-04M05	REC61A-W0078-A1
225 L/S (3.1L)	1994-99	REC6E5-44352-01	REC61A-44322-02	REC6G5-44323-00	REC61A-44311-00	REC93210-86M38	GLM38301	REC90280-04M05	REC61A-W0078-A1
LX225/SX225	2000-03	REC6E5-44352-01	REC61A-44322-02	REC6G5-44323-00	REC61A-44311-00	REC93210-86M38	GLM38301	REC90280-04M05	REC61A-W0078-A1
V225	1998-99	REC6E5-44352-01	REC61A-44322-02	REC6G5-44323-00	REC61A-44311-00	REC93210-86M38	GLM38301	REC90280-04M05	REC61A-W0078-A1
VX225	2000-04	REC6E5-44352-01	REC61A-44322-02	REC6G5-44323-00	REC61A-44311-00	REC93210-86M38	GLM38301	REC90280-04M05	REC61A-W0078-A1
VZ225	2003-09	REC6E5-44352-01	REC61A-44322-02	GLM12519	REC61A-44311-00	REC93210-86M38	GLM38301	REC90280-04M05	REC60X-W0078-00
250/L250	1990-96	REC6E5-44352-01	REC61A-44322-02	REC6G5-44323-00	REC61A-44311-00	REC93210-86M38	GLM38301	REC90280-04M05	REC61A-W0078-A1
L250/S250	1997-99	REC6E5-44352-01	REC61A-44322-02	REC6G5-44323-00	REC61A-44311-00	REC93210-86M38	GLM38301	REC90280-04M05	REC61A-W0078-A1
VX250	2002-04	REC6E5-44352-01	REC61A-44322-02	REC6G5-44323-00	REC61A-44311-00	REC93210-86M38	GLM38301	REC90280-04M05	REC61A-W0078-A1
VZ250	2003-09	REC6E5-44352-01	REC61A-44322-02	GLM12519	REC61A-44311-00	REC93210-86M38	GLM38301	REC90280-04M05	REC60X-W0078-00
Z300 /LZ300	2006	REC6E5-44352-01	REC61A-44322-02		REC61A-44311-00	REC93210-86M38	GLM38301	REC90280-04M05	REC61A-W0078-A1
VZ300	2004-09	REC6E5-44352-01	REC61A-44322-02	GLM12519	REC61A-44311-00	REC93210-86M38	GLM38301	REC90280-04M05	REC60X-W0078-00

CUERPOS BOMBA WATER PUMP HOUSING CORPI POMPA

Ref. R.O.
PAF2.6-03000014 69M-G4311-00
MOTORES / ENGINES / MOTORI
F2.5



Ref. R.O.
PAF4-03000019 68D-G4311-01
MOTORES / ENGINES / MOTORI
F4



Ref. R.O.
REC63V-44301-00 63V-44301-00-00
MOTORES / ENGINES / MOTORI
F6/8/15/9.9/13.5 FMH
T8/9.9 13.5AWH
9.9F/FEM/MH/MSH/ 15F/FMH/MSH/MH



Ref. R.O.
REC682-44300-01 682-44300-01
MOTORES / ENGINES / MOTORI
9.9D
15D
F8/F9.9
T9.9



Ref. R.O.
GLM12076 689-44311-03

MOTORES / ENGINES / MOTORI
20C/CM
25D/DE
30A



Ref. R.O.
REC663-44311-02 663-44311-02-00

MOTORES / ENGINES / MOTORI
25B/BETO E55CMH
40N/H/E 60FEO/FETO/FEDO
50G/GEO/GETO 60BE/BEM/BET
50D 70CE
55B/BET



Ref. R.O.
PAF25-04050001 61N-44311-01

MOTORES / ENGINES / MOTORI
25V
30G
F20
F25



Ref. R.O.
REC66T-44311-00 66T-44311-00

MOTORES / ENGINES / MOTORI
40X FT25
E40X-MLH T25
F30/40



Ref.	R.O.
REC63D-44311-01	63D-44311-00

MOTORES / ENGINES / MOTORI
 40V/VM/VE/TLR
 C40M-T
 50H/HR-M/HM
 F40/45/50/60



Ref.	R.O.
REC676-44311-00	676-44311-00

MOTORES / ENGINES / MOTORI
 E40GM/JM
 40GW/JW/G/QE/QWC



Ref.	R.O.
REC688-44311-01	688-44311-01

MOTORES / ENGINES / MOTORI
 60FETO/TR 75A/AE-T-M-D
 E60H-E-M 80A/AE-O-T
 70BETO/TR 85A/AE-D-T
 75CETO/TLR 90A/AETO/AEO/TLR
 E75B



Ref.	R.O.
REC67F-44311-01	67F-44311-01-00

MOTORES / ENGINES / MOTORI
 F80/100



Ref.	R.O.
REC61A-44311-00	6E5-44311-00

MOTORES / ENGINES / MOTORI
 F80/100/115/150/200/225/250
 150F/FET/TR/AET
 Z150P/TXR
 175D 200F/FETO/G/GETO
 200AET
 225B/DET/G
 250GETO/AET
 Z250DET/FET



COMPONENTES BOMBA AGUA WATER PUMP COMPONENTS COMPONENTI POMPA ACQUA

Ref.	R.O.
REC646-45323-00	646-44323-00

MOTORES / ENGINES / MOTORI
 2B
 2MSH
 2BMH



Ref.	R.O.
PAF2.6-03000010	69M-G4323-00

MOTORES / ENGINES / MOTORI
 F2.5



Ref.	R.O.
REC6L5-44323-00	6L5-44323-00

MOTORES / ENGINES / MOTORI
 3A/AMH
 3MSH



Ref.	R.O.
GLM12523	667F-44323-00

MOTORES / ENGINES / MOTORI
 F75/F80/F100



Ref.	R.O.
REC68T-44323-00	68T-44323-00

MOTORES / ENGINES / MOTORI
 F6
 T8
 F9.9
 F20/6/9.9/8/13.5
 T8/9.9



Ref.	R.O.
PAF15-06000007	63V-44323-00-00

MOTORES / ENGINES / MOTORI
 9.9F/FMH/FEMH/MSH
 F9.9/13.5/15
 13.5AWH
 15F/FM/MS



Ref.	R.O.
GLM12515	682-44323-00

MOTORES / ENGINES / MOTORI
 9.9/15D
 F8
 F9.9/T9.9



Ref.	R.O.
GLM12521	65N-44323-00

MOTORES / ENGINES / MOTORI
 D150H



Ref.	R.O.
REC6H3-44323-00	6H3-44323-00-00

MOTORES / ENGINES / MOTORI
 25B/BETO FT50
 F45 60FE/TLR
 50G/GE FT60
 T50 T60
 F50 70B/ETN/BE



Ref.	R.O.
PAF25-04000014	61N-44323-00

MOTORES / ENGINES / MOTORI
 25B/BMH/30H E25A
 E30HM 25VE-M
 30G F20/F25



Ref.	R.O.
GLM12508	6L2-44323-00

MOTORES / ENGINES / MOTORI
 25N/NE/NEM/MLH/MSH/MMH
 20D/DEO/DM/MSH/MLH



Ref.	R.O.
REC670-44323-00	670-44323-00

MOTORES / ENGINES / MOTORI
 25Q/QEO/E55CMH 40E/H
 30DET/DEO/DMH/D 50D/DE
 55B/BM/BET 25J/JEO/JETO/ESH



Ref.	R.O.
GLM12524	63D-44323-00-00

MOTORES / ENGINES / MOTORI
 F30/40/45/50/60
 40V/VE-M/Y/YE
 C40MLH/T
 T50
 50H/HM-R



Ref.	R.O.
REC676-44323-00-40	676-44323-00

MOTORES / ENGINES / MOTORI
 E40GMH/GW/JMH
 40JWH/GWH
 40QE/G/QM/QE-2/QWC



Ref.	R.O.
REC66T-44323-00	66T-44323-00

MOTORES / ENGINES / MOTORI
 40X/E40X/MLH
 40XW/XMH
 F30/40/T25



Ref.	R.O.
REC663-44323-00	663-44323-00

MOTORES / ENGINES / MOTORI
 50G/GEO/GETO FEDO
 25Q/QEO/B 70BEO/BETO/BEMO/CE
 55B/BE/BM 40N/H
 30DET/DEO/DMH/ELH 50ETN/D/DE
 60FEO 25J/JEO/JETO/ESH
 FETO



Ref.	R.O.
REC688-44323-00	688-44323-00-00

MOTORES / ENGINES / MOTORI
 60FET/TR
 75CETO/AED-T
 70BET/TR
 75A/AE-M/TLR/CETO/AED-T
 E75B
 80A/AET/TLR
 85A/AE-D-T
 90A/AET/ETN/TR



Ref.	R.O.
REC6E5-44323-00-40	6E5-44323-00

MOTORES / ENGINES / MOTORI
 100A/AETO/TLR
 115CET/A/B/BET
 C115TLR
 130BET
 140AET/BET



Ref.	R.O.
REC68V-44323-00	6EK-44323-00

MOTORES / ENGINES / MOTORI
 F115



Ref.	R.O.
REC6G5-44323-00	6G5-44323-01

MOTORES / ENGINES / MOTORI
 F150/200/225 175D/DET/AET
 Z150/175/250/300 200F/FET/GE
 VZ200 225G
 250AET/B/GET 200AET/BET
 225C/CET/D/DET 150CET
 150F/FET/AET 175BET



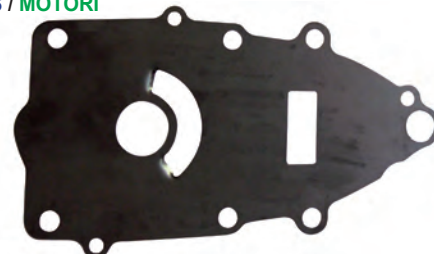
Ref.	R.O.
REC6P2-44323-00	6P2-44323-00

MOTORES / ENGINES / MOTORI
 Z250
 F225/F250



Ref.	R.O.
GLM12519	60X-44323-00

MOTORES / ENGINES / MOTORI
 Z250
 VZ250



KITS REPARACIÓN BOMBA AGUA WATER PUMP SERVICE KITS KIT RICAMBI POMPA ACQUA

Ref.	R.O.
GLM12281	682-W0078-A2

MOTORES / ENGINES / MOTORI

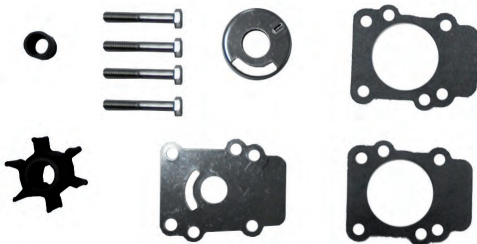
F8
F9.9
T9.9



Ref.	R.O.
GLM12278	682-W0078-A1

MOTORES / ENGINES / MOTORI

9.9/15D
F8
F9.9



Ref.	R.O.
REC63V-W0078-01	63V-W0078-00

MOTORES / ENGINES / MOTORI

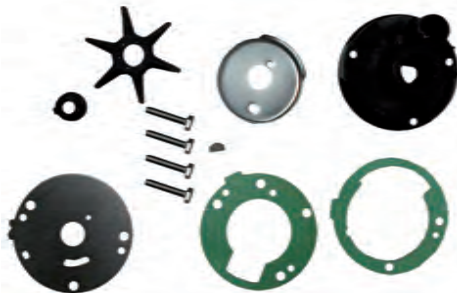
9.9F
13.5AWH
15F
F9.9
F15
F13.5



Ref.	R.O.
GLM12058	689-W0078-04

MOTORES / ENGINES / MOTORI

20CM



Ref.	R.O.
GLM12059	689-W0078-A6

MOTORES / ENGINES / MOTORI

20C
25D



Ref.	R.O.
GLM12277	6L2-W0078-00

MOTORES / ENGINES / MOTORI

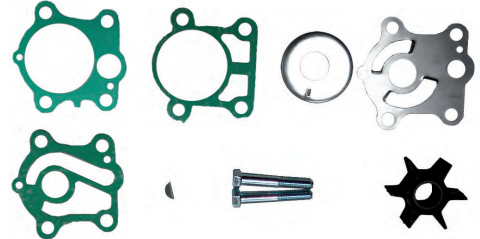
20NE/NEMO/N/MLH/MSH/NW/NMH/D
20D/DEO/DEM/MSH/DM/MLH
20MSH/DMH/DWO



Ref.	R.O.
GLM12284	6J8-W0078-A1

MOTORES / ENGINES / MOTORI

25J/JEO
30D/DMH/DE



Ref.	R.O.
GLM12285	6J8-W0078-A1

MOTORES / ENGINES / MOTORI

6J8-W0078-A2
25J/JEO
30D/DE/DMH



Ref.	R.O.
REC6H4-W0078-00	6H4-W0078-00

MOTORES / ENGINES / MOTORI

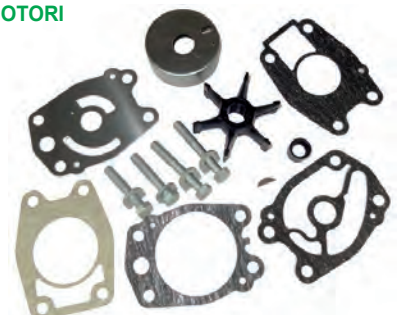
25Q/QEO
40N/H/HE
E48CMH
50D/DE/AETN
E55CMH



Ref.	R.O.
REC679-W0078-A1	679-W0078-00

MOTORES / ENGINES / MOTORI

40QE



Ref.	R.O.
REC6F5-W0078-00	6F5-W0078-00

MOTORES / ENGINES / MOTORI

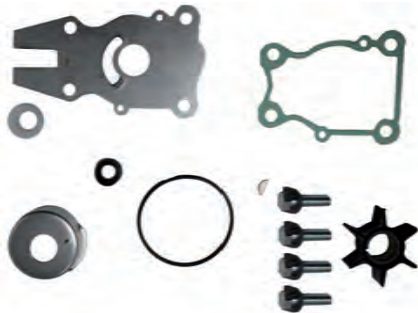
E40GMH
40GWH



Ref.	R.O.
GLM12276	63D-W0078-01

MOTORES / ENGINES / MOTORI

F40/45/50/60
40V/VMH/VETO/VMH
C40MLH/T/TLR
40VE/VEO/VES
40Y/YETO
50H/HET/HMH



Ref.	R.O.
REC66T-W0078-00	66T-W0078-01

MOTORES / ENGINES / MOTORI

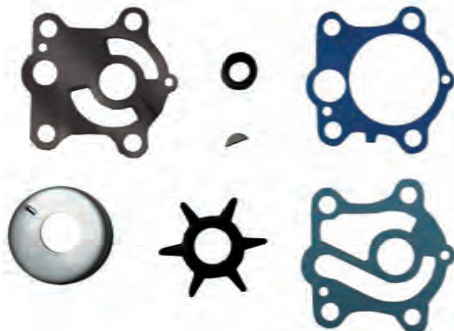
40X
E40X



Ref.	R.O.
GLM12279	663-W0078-A0

MOTORES / ENGINES / MOTORI

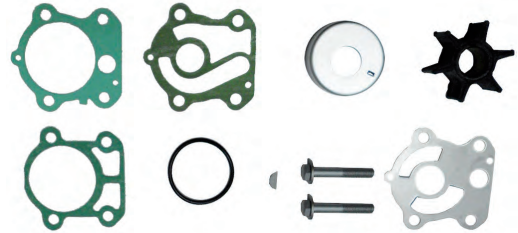
55BET



Ref.	R.O.
GLM12282	692-W0078-02

MOTORES / ENGINES / MOTORI

60TR/FETO 85A/AE/AED/AET/
75AED/AET AEM
75CETO/TLR/E75B 90A/AETO/AEMO/TLR
70BETO/TR C90TRZ
80A



Ref.	R.O.
REC6H3-W0078-02	6H3-W0078-00

MOTORES / ENGINES / MOTORI

60FE/FET/FEO/FETO
70AETN/B/BEH/BEO/CE



Ref.	R.O.
REC6K5-W0078-01	6K5-W0078-01

MOTORES / ENGINES / MOTORI

E60HM
E-60H



Ref.	R.O.
GLM12053	692-W0078-00/01

MOTORES / ENGINES / MOTORI

60H/HMH
75CETO/TLR
E75B
80A
85A/AE/AET/AED
90A/AET/TR/TLR



Ref.	R.O.
GLM12275	67F-W0078-00

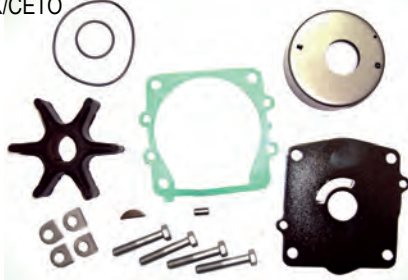
MOTORES / ENGINES / MOTORI

F80/100



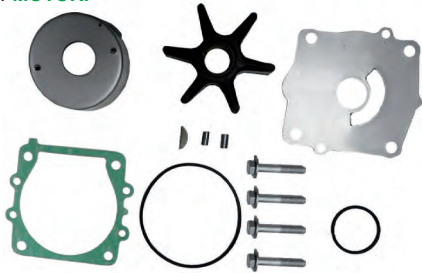
Ref. R.O.
GLM12264 6N6-W0078-00

MOTORES / ENGINES / MOTORI
115B/BE/BET/CETO/TRX/CETO
130BET/TLR



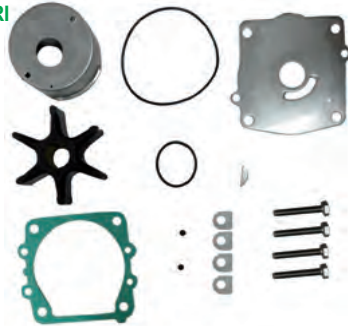
Ref. R.O.
GLM12067 68V-W0078-00

MOTORES / ENGINES / MOTORI
F115
FL115
LF115



Ref. R.O.
REC6N6-W0078-02 6N6-W0078-02

MOTORES / ENGINES / MOTORI
115BE/CEO/CETO/A/ETN/BETO
130BETO
140AETO/BETO



Ref. R.O.
GLM12075 65N-W0078-A1

MOTORES / ENGINES / MOTORI
D150H/N/NETOL



Ref. R.O.
REC61A-W0078-A1 61A-W0078-01

MOTORES / ENGINES / MOTORI
250ETD/AETO/AET
150FETO
175FETO
200FETO



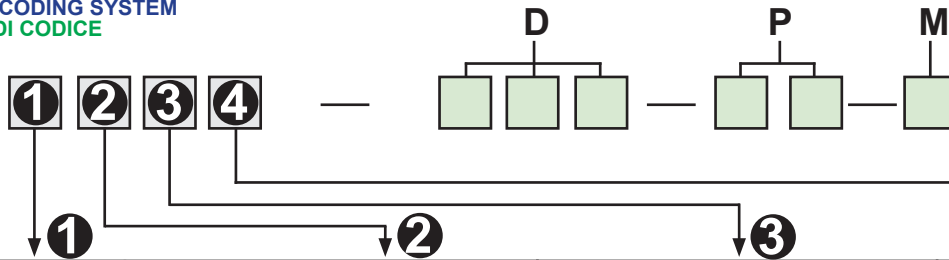
Ref. R.O.
GLM12068 60X-W0078-00

MOTORES / ENGINES / MOTORI
Z250FETO
V250TLR
Z300BETO
V300TLR



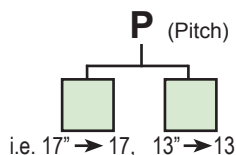
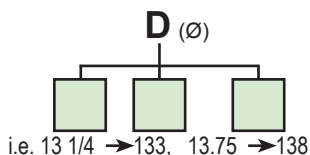
HÉLICES ALUMINO E INOXIDABLES DE 3 Y 4 PALAS 3 & 4 BLADE ALUMINUM & STAINLESS STEEL PROPELLERS ELICHE ALLUMINIO E INOX DA 3 E 4 PALE

SISTEMA CODIGO REFERENCIAS
PART NO. CODING SYSTEM
SISTEMA DI CODICE



<ol style="list-style-type: none"> Mercury, Mariner Johnson, Evinrude Yamaha Suzuki Tohatsu Volvo Penta Rubex System 	<ol style="list-style-type: none"> 0.5,6,8 and 9.8 HP Grupo /Group / Gruppo A Grupo /Group / Gruppo B Grupo /Group / Gruppo C Grupo /Group / Gruppo D Grupo /Group / Gruppo E Grupo /Group / Gruppo F Grupo /Group / Gruppo VP (Cubo std./Std. Hub / mozzo std.) VP (Cubo largo /Long Hub / mozzo lungo) 	<ol style="list-style-type: none"> Aluminio /Aluminum / Alluminio Saturn Acero inox. /S.S. / Acciaio inox. New Saturn Acero inox. /S.S. / Acciaio inox. Titan Acero inox. /S.S. / Acciaio inox. HR Titan Acero inox. /S.S. / Acciaio inox. 	<ol style="list-style-type: none"> 3R Rubber Hub 3L Rubber Hub 4R Rubber Hub 4L Rubber Hub
---	---	---	--

Ejemplo / Note / Esempio





AMITA 3

- Helices de aluminio de 3 palas con núcleo de goma de gran resistencia.
- 3 blade aluminum propeller with heavy duty rubber hub.
- Eliche di alluminio a 3 pale con mozzi in gomma ad alta resistenza.



LEXOR PROPELLER

- Helices de acero inoxidable de 3 palas.
- Gran diámetro del área de las palas para barcos pesados.
- Gran rendimiento en alta velocidad sin sacrificar las velocidades medias.
- Excelente ahorro de combustible.
- Three blade stainless steel propeller.
- Large diameter and blade area for big boat loads.
- Great high speed performance without sacrificing mid-range speeds.
- Excellent fuel economy.
- Eliche di acciaio inox a 3 pale.
- Grande diametro delle pale per imbarcazioni pesanti.
- Grandi prestazioni ad alta velocità senza sacrificare velocità medie.
- Eccellente risparmio di carburante in navi al largo..



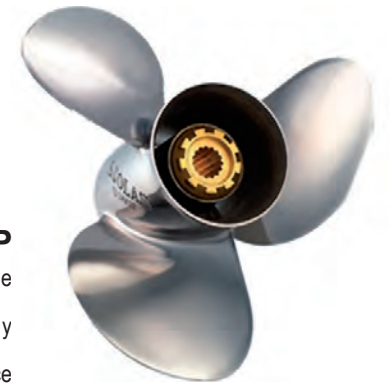
AMITA 4

- Helices de aluminio de 4 palas con núcleo de goma de gran resistencia.
- Van muy suaves a poca velocidad y hace el barco muy manejable con la mar picada.
- 4 Blade aluminum propeller with heavy duty rubber hub.
- Smoother low speed makes the offshore boating activity much easier.
- Eliche di alluminio a 4 pale con mozzo in gomma ad alta resistenza.
- Molto morbido a bassa velocità e rende la barca molto maneggevole con mare cattivo.



NEW SATURN PROP

- Helices de acero inoxidable de 3 palas.
- Ofrece buena aceleración y rendimiento.
- Tamaño más pequeño que ofrece un diámetro extragrande.
- Three blade stainless steel propeller.
- Offers good acceleration & all-round performance.
- Smaller pitch sizes offered in extra large diameter with increased blade area.
- Eliche di acciaio inox a 3 pale.
- Buona accelerazione.
- Piccole dimensione che offre un più grande diametro.



GUÍA DE HéLICES ALUMINO E INOXIDABLES DE 3 Y 4 PALAS 3 & 4 BLADE ALUMINUM & STAINLESS STEEL PROPELLERS APPLICATION GUIDA ELICHE ALLUMINIO E INOX DA 3 E 4 PALE

HP	R.O. OEM	B	D	P	R	TIPO TYPE	ALUMINIO ALUMINIUM ALLUMINIO		INOX STAINLESS STEEL					
							AMITA 3	AMITA 4	NEW SATURN	LEXOR	D	P	R	
2.5 HP	6L5-45949-00-EL	3	7.25	5	R	ALUM.	SOL3011-073-055S							
5 HP	6E0-45943-01-EL	3	7.50	7	R	ALUM.	SOL3011-075-075S							
9 Estrías 9 tooth spline 9 Scanature														
6.8 HP, F6, F8, F9.9	6G1-45947-00-EL	3	8 1/2	6 1/2	R	ALUM.	SOL3011-085-07							
7 Estrías 7 tooth spline 7 Scanature	6G1-45943-00-EL 6G1-45941-00-EL	3	8 1/2	7 1/2 8 1/2	R R	ALUM. ALUM.	SOL3011-085-08 SOL3011-085-09							
8 Pasador Pin drive Spinotto 8 HP (1976-1983)	647-45943-00-EL	3	8,25	8	R	ALUM.	SOL2011-083-07P							
		3	9	7	R	ALUM.	SOL2011-083-08P							
9.9, 15, T8		3	9 1/4	7	R	ALUM.	SOL3111-093-07							
F9.9 (2000-07)	683-45947-00-EL	3	9 1/4	8	R	ALUM.	SOL3111-093-08							
F15, F20	683-45945-00-EL	3	9 1/4	9	R	ALUM.	SOL3111-093-09							
Hight Thrust	683-45942-00-EL	3	9 1/4	9 3/4	R	ALUM.	SOL3111-093-10							
9 Estrías 9 tooth spline 9 Scanature	683-45943-00-EL	3		10 1/2	R	ALUM.	SOL3111-093-11							
		3	9 1/4	12	R	ALUM.	SOL3111-093-12							

GUÍA DE NÚCLEOS HUB KIT APLICATION CHAST GUIDA MOZZI



RUBEX

MODELO MODEL MODELLO	REF. KIT	MODELO HÉLICE PROPELLER TYPE MODELLO ELUCHE
F30 (4-Stroke) (2001-05); 40HP & 50HP (not T50), (1984+) 48HP (1995+); 55HP 1976-95; F40 (4-Stroke) (1999+); F50 (4-Stroke) (1995+); 60hp (1976-91); F60 (4-Stroke) (1999+) 13 Estrias / tooth spline / Scalanature	SOLRBX-117	C
T50 (1996-present) 15 Estrias / tooth spline / Scalanature	SOLRBX-108	D
60-100HP, including 4-stroke, (1984-present) 15 Estrias / tooth spline / Scalanature	SOLRBX-108	D
80-140HP, (1978-1983) 15 Estrias / tooth spline / Scalanature	SOLRBX-102	D
115HP, FS115, (4stroke), and 130HP, (1984-present) 15 Estrias / tooth spline / Scalanature	SOLRBX-103	D
150-175HP, (1978-1983) 15 Estrias / tooth spline / Scalanature	SOLRBX-102	E
150-300HP, (1984-present) 15 Estrias / tooth spline / Scalanature	SOLRBX-103	E
225 EFI (4stroke) 15 Estrias / tooth spline / Scalanature	SOLRBX-103	E
F300, F350 (300, 350HP, 4stroke V8 engine) 17 Estrias / tooth spline / Scalanature	SOLRBX-127	E+
Stern drives, (1989-1993) 15 Estrias / tooth spline / Scalanature	SOLRBX-103	E

GUÍA HÉLICES ALUMINIO PROPELLERS ALUMINUM CHART GUIDA ELICHE ALLUMINIO

Modelo / Model / Modello C 30-75 H.P. 3 PALAS / 3 BLADE / 3 PALE					
B	D	P	R	Ref.	
3	12.1	9	R	SOL9311-121-09	
3	12	10	R	SOL9311-120-10	
3	11.6	11	R	SOL9311-116-11	
3	11.4	12	R	SOL9311-114-12	
3	11.1	13	R	SOL9311-111-13	
3	11.1	14	R	SOL9311-111-14	
3	11	15	R	SOL9311-110-15	

Modelo / Model / Modello D 40-14 H.P. 3 PALAS / 3 BLADE / 3 PALE					
B	D	P	R	Ref.	
3	14	9	R	SOL9411-140-09	
3	14	11	R	SOL9411-140-11	
3	13.75	13	R	SOL9411-138-12	
3	13.5	15	R	SOL9411-135-15	
3	13.25	17	R	SOL9411-133-17	
3	13.2	19	R	SOL9411-132-19	
3	13.2	21	R	SOL9411-132-21	

Modelo / Model / Modello E 135-350 H.P. 3 PALAS / 3 BLADE / 3 PALE					
B	D	P	R	Ref.	
3	15.5	11	R	SOL9511-155-11	
3	15.3	13	R	SOL9511-153-13	
3	16	13	R	SOL9511-160-13	
3	15	15	R	SOL9511-150-15	
3	15	15	L	SOL9511-150-15	
3	14.8	17	R	SOL9511-148-17	
3	14.8	17	L	SOL9511-148-17	
3	14.5	19	R	SOL9511-145-19	
3	14.5	19	L	SOL9511-145-19	
3	14.3	21	R	SOL9511-143-21	
3	14.3	21	L	SOL9511-143-21	

RUBEX



Helice de aluminio con núcleo intercambiable (no incluido).
Aluminium interchangeable hub propellers (not included).
Eliche in alluminio con mozzo intercambiabile (non incluso).

GUÍA HÉLICES INOX. STAINLESS STEEL PROPELLERS APPLICATION CHART GUIDA ELICHE INOX

Modelo / Model / Modello **C** 30-75 H.P. 3 PALAS / 3 BLADE / 3 PALE

B	D	P	R	Ref.
3	11 5/8	11	R	SOL9331-116-11
3	11 3/8	12	R	SOL9331-114-12
3	11 1/8	13	R	SOL9331-111-13
3	11 1/8	14	R	SOL9331-111-14
3	11	15	R	SOL9331-110-15

Modelo / Model / Modello **D** 40-14 H.P. 3 PALAS / 3 BLADE / 3 PALE

B	D	P	R	Ref.
3	13 3/4	13	R	SOL9431-138-13
3	13 3/4	13	L	SOL9432-138-13
3	13 1/2	15	R	SOL9431-135-15
3	13 1/2	15	L	SOL9432-135-15
3	13 1/4	17	R	SOL9431-133-17
3	13 1/4	17	L	SOL9432-133-17
3	13	19	R	SOL9431-130-19
3	13	19	L	SOL9432-130-19
3	13	21	R	SOL9431-130-21

Modelo / Model / Modello **E** 90-140 H.P. 3 PALAS / 3 BLADE / 3 PALE

B	D	P	R	Ref.
3	14 1/2	15	R	SOL9531-145-15
3	14 1/2	15	L	SOL9532-145-15
3	14 1/4	17	R	SOL9531-143-17
3	14 1/4	17	L	SOL9532-143-17
3	14	19	R	SOL9531-140-19
3	14	19	L	SOL9532-140-19
3	14	21	R	SOL9531-140-21
3	14	21	L	SOL9532-140-21
3	14	23	R	SOL9531-140-23
3	14	23	L	SOL9532-140-23

Modelo / Model / Modello **E** 135-350 H.P. 3 PALAS / 3 BLADE / 3 PALE

B	D	P	R	Ref.
3	15 3/4	15	R	SOL9571-158-15
3	15 3/4	15	L	SOL9572-158-15
3	15 1/2	17	R	SOL9571-155-17
3	15 1/2	17	L	SOL9572-155-17
3	15 1/4	19	R	SOL9571-153-19
3	15 1/4	19	L	SOL9572-153-19
3	15	21	R	SOL9571-153-21
3	15	21	L	SOL9572-153-21
3	14 3/4	23	R	SOL9571-148-23
3	14 3/4	23	L	SOL9572-148-23
3	14 1/2	25	R	SOL9571-145-25
3	14 1/2	25	L	SOL9572-145-25

RUBEX



Helice de acero inox. con núcleo intercambiable (no incluido).
Stainless steel interchangeable hub propellers (not included).
Eliche di acciaio inox con mozzo intercambiabile (nonn incluso).

YAMAHA

**RECAMBIOS
MARINOS s.l.**

ÍNDICE

SISTEMA ALIMENTACIÓN Y FILTRACIÓN	PÁG
BOMBAS DE COMBUSTIBLES MANUALES	258
BOMBAS DE COMBUSTIBLES ELÉCTRICA	279
BRACKETS Y FILTROS COMBUSTIBLE	259-262
CABLES ACELERADOR	269
CONECTORES Y MANGUERAS COMBUSTIBLE	258-259
FILTROS DE COMBUSTIBLE	260
KIT DE CARBURADOR	279
MEMBRANAS BOMBAS COMBUSTIBLE	279
SISTEMA ELÉCTRICO	PÁG
DESCONECTADORES DE SEGURIDAD	269
MOTORES DE ARRANQUE	266-267
MOTORES DE TRIM Y POWER TRIM	267-268
REGULADORES Y RECTIFICADORES	268
SISTEMA DE ENCENDIDO	PÁG
BOBINAS	268
LLAVES DE ARRANQUE	269
BUJIAS CHAMPION	270
BUJIAS NGK	270-271
SISTEMA DE REFRIGERACIÓN	PÁG
CUERPOS BOMBA DE AGUA	281
IMPULSORES	280
KIT REPARACIÓN BOMBA DE AGUA	281-282
JUNTAS DE COLA	282-283
KIT JUNTAS Y RETENES	283-284
PARTES DE MOTOR	PÁG
DESPIECE DE MOTOR (2 TIEMPOS)	272
JUNTAS BASE DE MOTOR	276
JUNTAS COLECTOR Y CARTER	276
JUNTAS CULATÍN	275
JUNTAS DE CULATA	274-275
GUÍA JUNTAS DE CULATA	275
JUNTAS ESCAPE	277
PISTONES, AROS, RODAMIENTOS Y BULONES	273
BIELAS	273
CIGÜEÑAL	274
COLAS Y COMPONENTES	PÁG
ÁNODOS ZINC Y ALUMINIO	263-266
RETENES ACEITE	277-279
HÉLICES Y GUIA DE APLICACIÓN	288-291
FILTROS ACEITE	262
GUÍA FILTROS ACEITE	263
GUÍA PIEZAS COLA	285
GUÍA DE MANTENIMIENTO	286-287

TABLE OF CONTENTS

FUEL & FILTRATION SYSTEM	PAGE
PRIMER FUEL PUMP	258
ELECTRIC FUEL PUMP	279
BRACKETS & FUEL FILTERS	259-262
THROTTLE CABLE	269
HOSES & FUEL FITTINGS	259-259
FUEL FILTERS	260
CARBURETOR KIT	279
DIAFRAGM FUEL PUMP	279
ELECTRIC SYSTEM	PAGE
CUT OFF SWITCHES	269
STARTERS	266-267
TRIM & POWER TRIM	267-268
REGULATOR & RECTIFIERS	268
IGNITION SYSTEM	PAGE
COILS	268
IGNITION STARTER SWITCH	269
CHAMPION SPARK PLUGS	270
NGK SPARK PLUGS	270-271
COOLING SYSTEM	PAGE
WATER PUMP HOUSING	281
IMPELLERS	280
WATER PUMP SERVICE KITS	281-282
DRIVE GASKET	282-283
LOWER UNIT SEAL KITS	283-284
ENGINE PARTS	PAGE
ENGINE PARTS (2 STROKE)	272
GASKET ENGINE HOLDER	276
GASKET COLLECTOR & OIL PAN	276
GASKETS, HEAD COVER	275
GASKETS CYLINDER HEAD	274-275
GASKET CYLINDER GUIDE	275
EXHAUST GASKET	277
PISTONS, RINGS, PINS & BEARINGS	273
CONNECTING ROD	273
CRANKSHAFT	274
UNIT DRIVES & COMPONENTS	PAGE
ZINC & ALUMINIUM ANODES	263-266
OIL SEALS	277-279
PROPELLERS & APPLICATION GUIDE	288-291
OIL FILTER	262
OIL FILTER GUIDE	263
COMPLETE GEARCASE ASSEMBLY	285
MAINTENANCE GUIDE	286-287

INDICE

SISTEMA DI ALIMENTAZIONE E FILTRAZIONE	PAGINA
POMPE DI CARBURANTE MANUALE	258
POMPE DI CARBURANTE ELETTRICHE	279
BRACKETS E FILTRO COMBUSTIBILE	259-262
CAVO ACCELERATOR	269
ATTACCO E TUBO BENZINA	258-259
FILTRI BENZINA	260
KIT CARBURATORE	279
MEMBRANA POMPA BENZINA	279
SISTEMA ELECTRICO	PAGINA
CHIAVETTA DI SICUREZZA	269
MOTORINI AVVIAMENTO	266-267
MOTORINI TRIM E TRIM POWER	267-268
REGOLATORI E RADRIZZATORI	268
SISTEMA DI ACCENSIONE	PAGINA
BOBINE	268
CHIAVI DI ACCENSIONE	269
CANDELE CHAMPION	270
CANDELE NGK	270-271
SISTEMA DI RAFFREDDAMENTO	PAGINA
CORPI POMPA ACQUA	281
GIRANTE	280
KIT RICAMBI POMPA ACQUA	281-282
GUARNIZIONI PIEDI	282-283
KIT GUARNIZIONE E PARAOLIO PIEDE	283-284
PARTI DEL MOTORE	PAGINA
PARTI DEL MOTORE (2 TEMPI)	272
GUARNIZIONI BASE MOTORI	276
GUARNIZIONE COLLECTORE E CARTER	276
GUARNIZIONE COPERCHIO TESTA	275
GUARNIZIONE TESTATA	274-275
KIT GUARNIZIONE TESTATA	275
GUARNIZIONE SCARICO	277
PISTONE, FASCE, BULLONI E CUSCINETTI	273
BIELLA	273
ALBERO MOTORE	274
PIEDI E COMPONENTI	PAGINA
ANODI ZINCO E ALLUMINIO	263-266
PARAOLIO	277-279
ELICHE E GUIDA APPLICAZIONE	288-291
FILTRI OLIO	262
GUIDA FILTRI OLIO	263
ESPLOSO PIEDE	285
GUIDA DI MANUTENZIONE	286-287

CONECTORES COMBUSTIBLE FUEL FITTINGS ATTACCHI BENZINA

BOMBA DE COMBUSTIBLE PRIMER BULB POMPETTA BENZINA

Ref.	Manguera Hose Tubo	Envase Pack Qnt
GS31090	5/16"	1 x blister
GS31095	3/8"	1 x blister
GS31187	1/4"	1 x blister

GOLDENSHIP



Universal / Universale

Ref.	Manguera Hose Tubo	Envase Pack Qnt
GS31098	8 mm	1 x bolsa / bag / borsa
CEF500621	8 mm	1 x bolsa / bag / borsa

Fabricada con elastómeros termoplásticos inyectados, resistentes al alcohol y rayos UV.

Premium quality bulb resistance to alcohol as well as UV and ozone.

Fabbricata con elastomers termoplastico, resistente ai solventi e ai raggi UV.

GOLDENSHIP

gef



GS31098



CEF500621

Ref.	R.O. OEM	Manguera Hose Tubo	Envase (x bolsa) Pack (x bag) Qnt (x borsa)
GS31188		3/8"	1

GOLDENSHIP



BOMBA DE GASOLINA P3

Fabricada en Acetal rígido inyectado, resistente al alcohol y rayos UV.

PRIMER BULB P3

Premium quality bulb resistance to alcohol as well as UV and ozone.

POMBA BENZINA P3

Fabbricata in plastica rígida, resistente ai solventi e ai raggi UV.

LÍNEA DE COMBUSTIBLE FUEL LINE ASSEMBLY TUBO CARBURANTE

Ref.	R.O. OEM	Manguera Hose Tubo	Envase (x bolsa) Pack (x bag) Qnt (x borsa)
GS31189		3/8"	1

GOLDENSHIP



Bomba P3.

Con 2 m de manguera resistente al alcohol.

Primer P3. With 2 m alcohol resistant hose.

Pompa P3 con 2 m di tubo resistente ai solventi.

Ref.	R.O. OEM	Manguera Hose Tubo	Envase (x bolsa) Pack (x bag) Qnt (x borsa)
GS31096		5/16"	1
GS31097		3/8"	1
GS31099		8 mm	1
SIE-18-8013		5/16"	1
SIE-18-8015		3/8"	1
CEF500600		8 mm	1

Universal. Con 2 m de manguera resistente al alcohol.

Universal. With 2 m alcohol resistant hose.

Universale con 2 m di tubo resistente ai solventi.

GOLDENSHIP



GS31096 - GS31097



GOLDENSHIP

GS31099



SIE-18-8013, SIE-18-8015

gef
CEF500600

MANGUERA DE COMBUSTIBLE FUEL HOSE TUBO BENZINA

Ref.	Ø Int	Largo Length Long	Envase Pack Qn
TRI305-0566	5/16" = 7,92 mm.	15 m	Caja / Box / Cassa
TRI305-0386	3/8" = 9,53 mm.	15 m.	Caja / Box / Cassa



Manguera «Trident» para líneas de combustible. Con refuerzo termoplástico que le permite excelente flexibilidad y resistencia a los rayos UV. Color gris. Resistente al alcohol. **Especialmente indicado para motores fueraborda.** Cumple las normas: SAEJ1527, ISO-8469 Tipo B1 y Certificación CE. Garantía: 3 años

Marine fuel hose (distribution and vent) for outboards. Fuel resistant thermo-plastic formulation with 2 spiral reinforcement provides excellent bendability and resistance to UV, aging and permeation by all marine fuels (gasoline/petrol and diesel) including alcohol blends. Meets or exceeds: SAEJ1527, ISO-8469 Tipo B1 & Certification CE. Warranty: 3 years

Tubo «Trident» per línea combustibile. Con rinforzo termoplastico che gli permette un'eccellente flessibilità e resistenza ai raggi UV. Colore grigio. Resistente ai solventi. **Indicato per i motori fuoribordo.** Conforme alla norma: SAEJ1527, ISO-8469 Tipo B1 e Certificazione CE. Garanzia: 3 anni

PASAMAMPAROS THRU HULL PASSASCAFO

Ref.	R.O. OEM	Manguera Hose Tubo	Envase (x blister) Pack (x blister) Qty (x blister)
GS31064		3/8"	1

GOLDENSHIP



Para atravesar mamparos de hasta 12mm. Fabricado en latón.
For bulkhead up to 12 mm. Made in machined brass.
Per attraversare paratie fino a 12mm. Fabricato in ottone.

CONECTOR COMBUSTIBLE FUEL CONNECTOR ATTACCO COMBUSTIBILE

Ref.	R.O. OEM	Rosca Thread Passo	Envase (x blister) Pack (x skinpack) Qty (x Blister)
GS31037	99105-00192	1/4" NPT	1
GS31038	65720-94411	métrica	1
GS31039		1/4" NPT	1
GS31070	99105-00193	1/4" NPT	1
GS31089	65720-986B0	3/8"	1
	65720-94410	3/8"	1
GS31035	65750-98505	5/16"	1
GS31036	65750-98505	3/8"	1
GS31071	65750-95500	5/16"	1
GS31072	65750-95500	3/8"	1



GOLDENSHIP



GS31037
Motores 2 tiempos de 2 a 60 hp.
Engines 2 stroke from 2 to 60 hp.
Motore 2 tempi di 2 a 60 hp.



GS31038
Motores antiguos 2 tiempos.
Old engines 2 stroke.
Motore vecchio 2 tempi.



GS31039
Motores antiguos 2 tiempos.
Old engines 2 stroke.
Motore vecchio 2 tempi.



GS31070
Motores de 2 y 4 tiempos.
Engines 2 & 4 strokes.
Motori da 2 e 4 tempi.



GS31089
Motores 4 tiempos de 25 a 140 hp.
Engines 4 stroke from 25 to 140 hp.
Motori 4 tempi di 25 a 140 hp.



GS31035-GS31036
Conector pequeño. Motores 2 tiempos hasta 60 hp.
Little connector. Engines 2 stroke to 60 hp.
Connettore piccolo. Motori 2 tempi fino 60 hp.

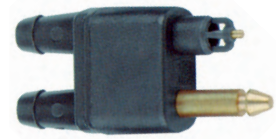


GS31071-GS31072
Conector grande. Motores 2 tiempos desde 60 hp en adelante.
Big connector. Engines 2 stroke from 60 hp in avanti.

CONECTOR DOBLE DOUBLE CONNECTOR CONNETTORE DOPPIO

Ref.	R.O. OEM	Manguera Hose Tubo	Envase (x blister) Pack (x blister) Qty (x blister)
GS31092		8 mm	1

GOLDENSHIP



CONECTORES / CONNECTOR / ATTACCO

Ref.	Rosca Thread Passo	Envase (x blister) Pack (x skinpack) Qty (x Blister)
GS31068	1/4" NPT	1

CODO DEPOSITO

Fabricado en latón.
TANK ELBOW
Made in machined brass.
CODO DEPOSITO
Fabricato in ottone.

GOLDENSHIP



Ref.	Rosca Thread Passo	Envase (x blister) Pack (x skinpack) Qty (x Blister)
GS31069	1/4" NPT	1

CONECTOR "T"

Para conectar dos motores a un sólo depósito, o viceversa. Fabricado en latón.

CONECTOR "T"

To connect two motors to a single deposit, or vice versa. Made in machined brass.

CONECTOR "T"

Per collegare due motori a un solo serbatoio, o viceversa. Fabricato in ottone.

GOLDENSHIP



FILTROS COMBUSTIBLE Y ELEMENTOS FUEL FILTERS AND ELEMENTS SUPPORTI, FILTRI BENZINA E RACCORDI

BRACKET / BRACKET / SUPPORTO

Ref.	Braket Bracket Supporto	Tomas NTPF Ports Filetto
REC25000	Aluminio / Aluminium / Alluminio	1/4"
GLM25010	INOX AISI316 / S.S. AISI316	1/4"
GLM25020	Aluminio / Aluminium / Alluminio	3/8"
GLM25030	INOX AISI316 / S.S. AISI316	3/8"
RECOBRACKET	Plástico / Plastic / Plastica	1/4"

Con 2 tapones de bronce y 2 tubos de extensión.
(2 entradas y 2 salidas).
With 2 brass plugs and 2 extension tubes.
(2 inputs & 2 outputs).
Con 2 tappi di bronzo e 2 tubi di estensione.
(2 ingressi entrata carburante e 2 uscite carburante).



REC25000 - GLM25020



GLM25010 - GLM25030



RECOBRACKET

**FILTRO COMBUSTIBLE
SEPARADOR DE AGUA
WATER SEPARATING FUEL FILTER
FILTRO SEPARATORE ACQUA-BENZINA**

Ref.	Micras Micron Micras	Altura Height Altezza
REC24942	10	4-7/16"
REC35-802893Q01	10	3-3/4"
REC855686	28	4-7/16"
REC35-802893Q	25	3-3/4"
RACPF5510	10	4-7/16"

RACOR



RACPF5510

RECMAR



REC24942 REC35-802893Q01 REC855686 REC35-802893Q

**FILTRO ORIGINAL
OEM FILTER
FILTRO BENZINA ORIGINALE**

Ref.	Micras Micron Micras	Altura Height Altezza
RM35-802893Q	10	3-3/4"



RM35-802893Q

**FILTRO CON BRACKET
OEM FILTER WITH BRACKET
FILTRO BENZINA CON SUPPORTO**

Ref.	Micras Micron Micras	Tomas NPTF Ports Filetto	Flujo Flow Flusso
GLM24950	25	1/4"	50 GPH
GLM24952	10	1/4"	50 GPH

Bracket de Aluminio. Con 2 tapones de bronce y 1 tubo de extensión.
Cast Aluminium Bracket. With 2 brass plugs & 1 extension tube.
Supporto in alluminio. Con 2 tappi di bronzo e 1 tubi di estensione.



GLM24950



GLM24952

Ref.	Micras Micron Micras	Tomas NPTF Ports Filetto	Flujo Flow Flusso
GLM24960	28	1/4"	50 GPH
GLM24956	28	1/4"	50 GPH
GLM24957	10	1/4"	50 GPH

Bracket Inox. AISI316. Con 2 tapones de bronce y 2 tubos de extensión.
With S.S. AISI316 Bracket. With 2 brass plugs & 2 extension tubes.
Supporto Inox AISI316. Con 2 tappi di bronzo e 2 tubi di estensione.



GLM24960
Bracket rojo
Red Bracket
Supporto rosso



GLM24956



GLM24957

**FILTRO DECANTADOR COMBUSTIBLE
CON VASO TRANSPARENTE
COMPLETE FUEL FILTER WITH
TRANSPARENT BOWL
FILTRO DE DECANTAZIONE BENZINA
COMPLETO CON VASCHETTA
TRASPARENTE**

Ref.	Elemento Element Cartuccia	
RAC320R-RAC-01	RACS3213	Aluminio / Aluminum / Auminio
RAC320R-RAC-03		Plastico / Plastic / Plastica



Incluye soporte
Includes bracket.
Con supporto

RACOR

Filtro completo Compleat filter Filtro completo	Cartucho recambio Replacement element Cartuccia di ricambio	Capacidad Máx. Max. Capacity Capacità massima
RECOBFILTER	RECOBLEMENT	150 l/h



RECMAR

Filtro completo Compleat filter Filtro completo	Cartucho recambio Replacement element Cartuccia di ricambio	Capacidad Máx. Max. Capacity Capacità massima
REC90794-46866	REC90794-46868	117l/h



RECMAR

**LLAVE PARA FILTRO
FILTER KEY
CHIAVE DA FILTRO**

Ref.
RECYS-225-15



Filtro completo Compleat filter Filtro completo	Micras Micron Micras	Rosca Thread Filettatura	Capacidad Máx. Max. Capacity Capacità massima
RAC490R-RAC-01	10	3/8" NPTF	340 l/h



CON PURGADOR. Para motores fueraborda superiores a 150 HP.
WITH PRIMING PUMP. For outboards engines more than 150 HP.
CON POMPETTA PER RIEMPIRE IL FILTRO. Per motori fuoribordo superiori a 150 hp.

RACOR

Ref.	R.O. / OEM
RACS3227	99105-20005

Cartucho recambio
Replacement element
Cartuccia di ricambio



Filtro completo Complet filter Filtro completo	Cartucho de recambio Replacement element Cartuccia di ricambio	Motores máximo Max. engine Motore massimo
RAC23299-10	RAC23289-10	4T 130 HP



RACOR

Filtro de combustible con braket.
Complete fuel filter with braket.
Filtro combustibile con supporto.

**ELEMENTOS DE RECAMBIO
ELEMENT
ELEMENTI DI RICAMBIO**

RACOR

Ref.	R.O. OEM	Para filtros: For filters: Per filtro:
RACS3240		RAC120R-RAC-01
RACS3227	YMM-2E227-00	Yamaha-Suzuki
RACS3213		RAC320R-RAC-01, RAC320R-RAC-01 INOX
RACS3214		Reemplaza Johnson & Evinrude Replaces Johnson & Evinrude Sostituisce Johnson & Evinrude
RACS3228UL		RAC320R-RAC-02, con/with bracket RACOR.
RACS3220UL		RAC320R-RAC-02 y RAC320R-RAC-02 INOX



**RACORS
RACORS
RACCORDO**

Ref.	Rosca Thread Passo	Manguera Hose Tubo	Envase (x blister) Pack (x skinpack) Qnt (x blister)
GS31065	1/4" NPT	3/8" = 9.5 mm	2
GS31166	1/4" NPT	5/16" = 7.9 mm	2
GS31155	3/8" NPT	3/8" = 9.5 mm	2
GS31156	3/8" NPT	5/16" = 7.9 mm	2
GS31157	3/8" NPT	1/4" = 6.4 mm	2

Racor 90° fabricado en latón.
Made in machined brass.
Raccordo 90° prodotto in ottone

GOLDENSHIP



Ref.	Rosca Thread Passo	Manguera Hose Tubo	Envase (x blister) Pack (x skinpack) Qnt (x blister)
GS31066	1/4" NPT	5/16" = 7.9 mm	2
GS31067	1/4" NPT	3/8" = 9.5 mm	2

Fabricado en latón.
Made in machined brass.
Prodotto in ottone

GOLDENSHIP



RACOR

	RAC120R-RAC-01	RAC320R-RAC-01	RAC320R-INOX-01	RAC320R-RAC-02	RAC320R-INOX-02
R.O. / OEM	99105-20006-ASY				
Flujo máximo Max. flow Flussi massimo	114 lph 30 gph	340 lph 60 gph	340 lph 60 gph	340 lph 60 gph	340 lph 60 gph
Elemento / Element / Elemento	RACS3240	RACS3213	RACS3213	RACS3220UL	RACS3220UL
R.O. Elemento / OEM Elemento	99105-20006-000				
Cazoleta transparente (1) Clear bowl (1) Vaschetta trasparente (1)	Si yes si	Si yes si	Si yes si	No	no
Roscas centrales Central threads Filetto centrale	M18 x 1.5	1 - 14	1 - 14	1 - 14	1 - 14
Tamaño rosca cabeza Head port size Dimensione vite testa	1/4-18 NPTF	1/4-18 NPTF	1/4-18 NPTF	1/4-18 NPTF	1/4-18 NPTF
Altura x Ancho x Prof. Height x Width x Depth Altezza x Largh x Prof.	166 x 81 x 81 mm	238 x 102 x 102 mm	238 x 102 x 102 mm	238 x 102 x 102 mm	238 x 102 x 102 mm
Peso / Weight / Peso	0.5 Kg	0.9 Kg	0.9 Kg	0.9 Kg	
Caída de presión Pressure drop Caduta di pressione	0.15 PSI 0.01 bar	0.61 PSI 0.04 bar	0.61 PSI 0.04 bar	0.61 PSI 0.04 bar	0.61 PSI 0.04 bar
Presión máxima (2) Max. pressure (3) Pressione massima (2)	7 PSI 0.5 bar	7 PSI 0.5 bar	7 PSI 0.5 bar	7 PSI 0.5 bar	7 PSI 0.5 bar
Desmontaje cartucho-cazoleta Element removal underbowl Rimozione della cartuccia	25.4 mm 1"	25.4 mm 1"	25.4 mm 1"	25.4 mm 1"	25.4 mm 1"
Temp. trabajo Operating temp. Tempo lavoro	-40° C + 124° C / -40° F + 255° F				

(1) Las cazoletas transparentes sólo se recomienda para fueraborda.
Clear bowls are recommended just for outboards.
Si raccomanda l'utilizzo della vaschetta trasparente solo nei fuoribordo.

(2) Instalaciones de presión aplicables hasta el parametro escrito.
Pressure installations are applicable up to the maximum PSI shown.
L'installazione di pressione è applicabile fino al parametro scritto.

SUZUKI

**RECAMBIOS
MARINOS S.L.**

FILTRO COMBUSTIBLE EN LÍNEA INLINE FUEL FILTER FILTRO COMBUSTIBILE IN LINEA

Ref.	Capacidad Capacity Capacità	Manguera Hose Tubo	Envase (x blister) Pack (x skinpack) Pnt (x blister)
GS31001	50 lt/h	6-8 mm	1 x skinpack
GS31002	150 lt/h	8-10 mm	1 x skinpack

Filtro transparente para gasolina o gasoil.
Transparent plastic in line filter for petrol and diesel.

Filtro trasparente per benzina o diesel

GOLDENSHIP



Ref.	Manguera Hose Tubo	Envase (x blister) Pack (x skinpack) Qnt (x blister)
GS30435	6, 8, 10 mm	1

FILTRO TRANSPARENTE

De metal y cristal. Racors para mangueras de 6-8-10 mm.

TRANSPARENT FILTER

Clear body permits visual inspection. Racors 6-8-10 mm.

FILTRO TRANSPARENTE

Di metallo e vetro. Montaggio in linea. Raccordi per tubo da 6-8-10 mm.

GOLDENSHIP



Ref.	Ø Manguera / Ø Hose / Ø Tubo
REC40145	1/4"
REC40155	5/16"
REC40165	3/8"
REC40135	5/16" Entrada / In / Entrata 3/8" Salida / Out / Uscita

De plástico / Plastic / In plastica

Ref.	R.O.
PAF15-07080000	15410-94400

MOTORES / ENGINES / MOTORI

DT9.9K / DT15K-G-Y (1986-00)
DT25C / DT30C-K-Y (1989-00)
DT20 / DT25 / DT30G-Y (1986-00)
DT55 / DT65J-X (1988-99)
DT40C-W-G-X (1986-99)
DT5 / DT6 / DT8G-Y (1986-00)

Ref.	R.O.
REC65L-24563-00	15412-93J00

MOTORES / ENGINES / MOTORI

DF200 / DF225 / DF250 (2004-11)
DF300T-Z (2007-11)

Ref.	R.O.
REC15410-87L00	15410-87L00

MOTORES / ENGINES / MOTORI

DF9.9B / DF15A / DF20A (2013)
DF25A / DF30A (2015)
DF90A / DF80A / DF90A (2009+)

Ref.	R.O.
REC15410-87J30	15410-87J30

MOTORES / ENGINES / MOTORI

DF20R / DF25 / DF25R V2 (2006-11)
DF40 / DF50X-K10 (1999-10)
DF60 / DF70W-K9 (1998-09)
DF90 / DF100 / DF115 K1-K11 (2001-11)
DF140 (2002-12)

Ref.	R.O.
REC15410-96J00	15410-96J00

MOTORES / ENGINES / MOTORI

DF150T-Z / DF175T-Z (2006-13)
DF150T (G)Z / DF175T (G)Z (2014)



Ref.	R.O.
REC15410-98500	15410-98500

MOTORES / ENGINES / MOTORI

DF4 / DF5 / DF6 (2002-14)
DF8A / DFAR / DF9.9A / DF9.9AR (2010+)
DF9.9 / DF15T-K3 (1996-03)
DF9.9 / DF15 (R) (2004-12)
DF40 / DF50X-K10 (1999-10)
DF60 / DF70W-K9 (1998-09)
DF150T-Z / DF175T-Z (2006-11)



Ref.	R.O.
REC15410-87J10	15410-87J10

MOTORES / ENGINES / MOTORI

DF25 / DF30Y-K6 (2000-06)
DF40 / DF50X-K10 (1999-10)
DF60 / DF70W-K9 (1998-09)
DF90 / DF100 / DF115K1-K11 (2001-11)
DF140 (2002-11)



Ref.	R.O.
REC15410-87J00	15410-87J00

MOTORES / ENGINES / MOTORI

DF40 / DF50X-K10 (1999-10)
Filtro gasolinna alta presión
Fuel filter high pressure
Filtro ad alta pressione Gasolinna



FILTROS ACEITE OIL FILTERS FILTRI OLIO

Ref.	R.O.
REC16510-05240	16510-45H10 16510-05240

MOTORES / ENGINES / MOTORI

DF8A-AR / DF9.9A-AR (2010+)
DF9.9 / DF15T-K3 (1996-03)
DF9.9 / DF115(R) (2004-11)
DF9.9B / DF15A / DF20A (2013)
DF15 (2012)



Ref.	R.O.
REC16510-90J00	16510-90J00 16510-61A20-MHL

MOTORES / ENGINES / MOTORI

DF70A / DF80A / DF90A (2009-11)
DF90 / DF100 / DF115 K1-K11 (2001-11)
DF115WT / DF140WT-K3 (2001-11)



Ref.	R.O.
REC16510-87J00	16510-87J00

MOTORES / ENGINES / MOTORI

DF20R / DF25-R-V2 (2006-11)
DF25 / DF30Y-K6 (2000-06)
DF40 / DF50X-K10 (1999-10)
DF40A / DF50A / DF60A (2010+)
DF60 / DF70W-K9 (1998-09)



Ref.	R.O.
REC16510-82703	16510-82703 16510-92J00

MOTORES / ENGINES / MOTORI

DF140 (2002-12)
DF115WT / DF140WT-K3 (2003)



Ref.	R.O.
REC16510-96J00	16510-96J00

MOTORES / ENGINES / MOTORI

DF150T-Z / DF175T-Z (G) (2006+)
DF200 / DF225 / DF250 (2004+)
DF200A (2015+)
DF300AP (2012)
DF300T-Z (2007-11)



GUÍA FILTROS DE ACEITE OIL FILTER GUIDE GUIDA FILTRI OLIO

MODELO MODEL MODELLO	AÑO YEAR ANNO	R.O. Replaces	Ref.
DF8A DF8AR	2010+	16510-05240	REC16510-05240
DF9.9(R) B	1990+	16510-05240	REC16510-05240
DF15A-T-K3 DF20A	1990-2012	16510-05240	REC16510-05240
DF25R-V2-Y-K6 DF20R	TODOS / ALL / TUTTI	16510-87J00	REC16510-87J00
DF30Y-K6 DF40A	TODOS / ALL / TUTTI	16510-87J00	REC16510-87J00
DF50A-X-K10	TODOS / ALL / TUTTI	16510-87J00	REC16510-87J00
DF60A-W-K9	TODOS / ALL / TUTTI	16510-87J00	REC16510-87J00
DF70W-K9	TODOS / ALL / TUTTI	16510-87J00	REC16510-87J00
DF90A DF80Z DF70A - K1-K11	TODOS / ALL / TUTTI	16510-61A20- MHL	REC16510-90J00

MODELO MODEL MODELLO	AÑO YEAR ANNO	R.O. Replaces	Ref.
DF115 DF100	TODOS / ALL / TUTTI	16510-90J00	REC16510-90J00
DF140WT-K3	TODOS / ALL / TUTTI	16510-82703	REC16510-82703
DF140	TODOS / ALL / TUTTI	16510-92J00	REC16510-82703
DF150T-Z (G)	2006-14	16510-93J00	REC16510-96J00
DF175T-Z (G)	2006-14	16510-93J00	REC16510-96J00
DF200	2004+	16510-93J00	REC16510-96J00
DF200A	2015	16510-96J00	REC16510-96J00
DF225R	2004+	16510-96J00	REC16510-96J00
DF250	2004+	16510-96J00	REC16510-96J00
DF300A-T-Z	2007-12	16510-96J00	REC16510-96J00

ÁNODOS / ANODES / ANODI

Ref.	R.O.	Peso Weight Peso
CM55300-95500	55300-95500 Cinc / Zinc / Zinco	0,08 kg

MOTORES / ENGINES / MOTORI
2 - 8 HP



Ref.	R.O.	Peso Weight Peso
CM55320-98400	55320-98400 Cinc / Zinc / Zinco	0,05 kg

MOTORES / ENGINES / MOTORI
9,9 - 15 HP



Ref.	R.O.	Peso Weight Peso
CM41811-98500	41811-98500 Cinc / Zinc / Zinco	0,05 kg

MOTORES / ENGINES / MOTORI
2.2 - 4 HP



Ref.	R.O.	Peso Weight Peso
CM55321-94900	55320-94900 Cinc / Zinc / Zinco	0,51 kg
CM55321-94900A	55320-94900 Aluminio / Aluminium / Alluminio	0,21 kg

MOTORES / ENGINES / MOTORI
70 HP 140 HP
90 HP 150 HP
115 HP



Ref.	R.O.	Peso Weight Peso
CM55321-87J00	55321-87J00 Cinc / Zinc / Zinco	0,02 kg



Ref.	R.O.	Peso Weight Peso
CM55125-87E01	55125-87E01 Cinc / Zinc / Zinco	0,25kg

MOTORES / ENGINES / MOTORI
60 - 70 HP (1998-2009)



Ref.	R.O.	Peso Weight Peso
CM55321-93900	55320-93900 Cinc / Zinc / Zinco	0,08 kg
CM55321-93900A	55320-93900 Aluminio / Aluminium / Alluminio	0,02 kg

MOTORES / ENGINES / MOTORI
9,9 HP
15 HP



Ref.	R.O.	Peso Weight Peso
CM55125-87D00	55320-93900 Cinc / Zinc / Zinco	0,34 kg
CM55125-87D00A	55320-93900 Aluminio / Aluminium / Alluminio	0,14 kg

MOTORES / ENGINES / MOTORI
150 HP / 200 HP (1986-90)



Ref.	R.O.	Peso Weight Peso
CM55125-96310	55125-96310 Cinc / Zinc / Zinco	0,13 kg
CM55125-96310A	55125-96310 Aluminio / Aluminium / Alluminio	0,07 kg

MOTORES / ENGINES / MOTORI
20 / 25 / 30 / 40 / 50 HP (1983-10)



Ref.	R.O.	Peso Weight Peso
CM55125-90J01	55125-90J01 Cinc / Zinc / Zinco	0,25 kg

MOTORES / ENGINES / MOTORI
60 / 70 / 80 / 90 / 115 /
140 HP (1998-10)

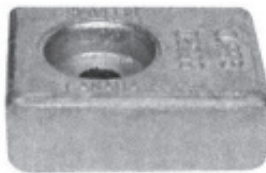


Ref.	R.O.	Peso Weight Peso
CM55125-96J00	55125-90J00 Cinc / Zinc / Zinco	0,33 kg

MOTORES / ENGINES / MOTORI
150 / 175 / 200 / 225 /
250 HP (2004-07)



Ref.	R.O.	Peso Weight Peso
CM55320-95310	55320-95310 Cinc / Zinc / Zinco	0,08 kg
CM55320-95310A	55320-95310 Aluminio / Aluminium / Alluminio	0,03 kg



Ref.	R.O.	Peso Weight Peso
CM11130-94600	11130-94600 Cinc / Zinc / Zinco	0,02 kg
CM11130-94600A	11130-94600 Aluminio / Aluminium / Alluminio	0,01 kg



Ref.	R.O.	Peso Weight Peso
CM55125-95301	55125-95301 Cinc / Zinc / Zinco	0,14 kg
CM55125-95301A	55125-95301 Aluminio / Aluminium / Alluminio	0,06 kg

MOTORES / ENGINES / MOTORI
55 HP
65 HP



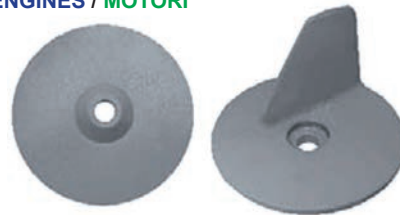
Ref.	R.O.	Peso Weight Peso
CM55125-95500	55125-95500 Cinc / Zinc / Zinco	0,16 kg

MOTORES / ENGINES / MOTORI
75 HP
85 HP

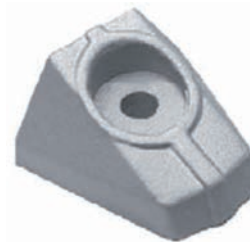


Ref.	R.O.	Peso Weight Peso
CM55125-94502	55125-94502 Cinc / Zinc / Zinco	0,33 kg

MOTORES / ENGINES / MOTORI
115 HP

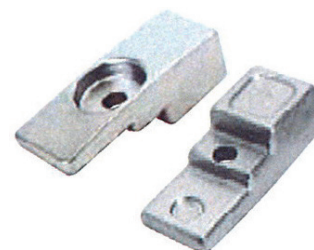


Ref.	R.O.	Peso Weight Peso
CM55320-98600	55320-98600 Cinc / Zinc / Zinco	0,10kg



Ref.	R.O.	Peso Weight Peso
CM55321-90J01	55321-90J01 Cinc / Zinc / Zinco	0,08 kg

MOTORES / ENGINES / MOTORI
DF60 / DF70 / DF90 / DF115 / DF140 (2000-10)



Ref.	R.O.	Peso Weight Peso
TEN01208	55300-95500 Cinc / Zinc / Zinco	0,080 kg

MOTORES / ENGINES / MOTORI
Serie 2 - 4 - 6 - 8 HP



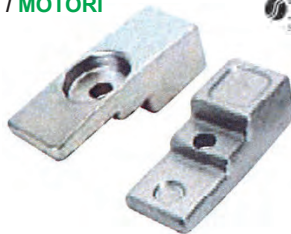
Ref.	R.O.	Peso Weight Peso
TEN01210	55320-98400 Ø 7 mm	0,050 kg
TEN01210/1	41811-98500 Ø M6	0,050 kg

MOTORES / ENGINES / MOTORI
Serie 2 HP



Ref.	R.O.	Peso Weight Peso
TEN01212	55321-90J01 Cinc / Zinc / Zinco	0,100 kg

MOTORES / ENGINES / MOTORI
Serie DF90- 115 - 140



Ref.	R.O.	Peso Weight Peso
TEN01213	55321-87J00 Cinc / Zinc / Zinco	0,020 kg

MOTORES / ENGINES / MOTORI
Ánodo motor.
Anode engine.
Anodo motore.



Ref.	R.O.	Peso Weight Peso
TEN01214	55320-94900 Cinc / Zinc / Zinco	0,510 kg

MOTORES / ENGINES / MOTORI
Serie 70 - 90 - 115 - 140 - 150 HP



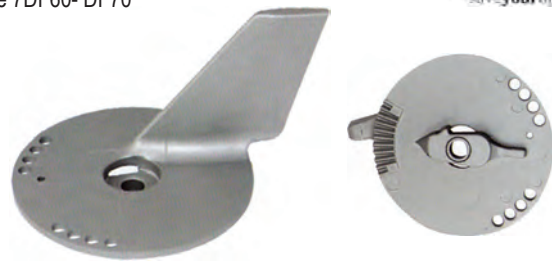
Ref.	R.O.	Peso Weight Peso
TEN01211	55125-87D00 / 55120-87801 Cinc / Zinc / Zinco	0,310 kg

MOTORES / ENGINES / MOTORI
Serie 50- 70HP
DT150
DT175
DT200
DT225 4T



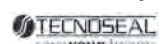
Ref.	R.O.	Peso Weight Peso
TEN01215	55125-90J01 Cinc / Zinc / Zinco	0,250 kg

MOTORES / ENGINES / MOTORI
Serie 7DF60- DF70



Ref.	R.O.	Peso Weight Peso
TEN01200	55125-96310 Cinc / Zinc / Zinco	0,150 kg

MOTORES / ENGINES / MOTORI
Serie 20 - 25 - 30 HP



Ref.	R.O.	Peso Weight Peso
TEN01203	41810-87D00 Cinc / Zinc / Zinco	0,150 kg

MOTORES / ENGINES / MOTORI
Fuerabordas / Outboards / Fuoribordo



Ref.	R.O.	Peso Weight Peso
TEN01204	55320-98311 / 55320-95310 Cinc / Zinc / Zinco	0,080 kg

MOTORES / ENGINES / MOTORI
Serie DF25 / DF300



Ref.	R.O.	Peso Weight Peso
TEN01201	55125-95301 Cinc / Zinc / Zinco	0,160 kg

MOTORES / ENGINES / MOTORI
Serie 55 - 65 HP



Ref.	R.O.	Peso Weight Peso
TEN01202	55320-98600 Cinc / Zinc / Zinco	0,095kg

MOTORES / ENGINES / MOTORI
Fuerabordas / Outboards / Fuoribordo



Ref.	R.O.	Peso Weight Peso
TEN01205	11130-94600 Cinc / Zinc / Zinco	0,010 kg

MOTORES / ENGINES / MOTORI
Fuerabordas / Outboards / Fuoribordo



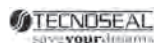
Ref.	R.O.	Peso Weight Peso
TEN01206	55321-93900 Cinc / Zinc / Zinco	0,050 kg

MOTORES / ENGINES / MOTORI
Serie 9.9 / 15 HP



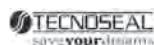
Ref.	R.O.	Peso Weight Peso
TEN01207	55321-95500 Cinc / Zinc / Zinco	0,190 kg

MOTORES / ENGINES / MOTORI
Serie 75 - 85 - 90 HP



Ref.	R.O.	Peso Weight Peso
TEN01209	55321-94502 Cinc / Zinc / Zinco	0,330 kg

MOTORES / ENGINES / MOTORI
Serie 115 HP



MOTORES DE ARRANQUE STARTERS MOTORINI AVVIAMENTO

Ref.	R.O.	Tiempos Strokes Tempi
PH130-0006	31100-96310/11, 31100-94400/01/002, 31100-89J00	2 / 4

MOTORES / ENGINES / MOTORI

DF25 - DF30Y-K6 (2000-06)
DF25A - DF30A (2015+)
DT20 - DT25 - DT30G-Y (1986-00)
DT40C-WG-X (1986-99)
8 Dientes / 8 tooth / 8 denti



Ref.	R.O.	Tiempos Strokes Tempi
PH130-0060	31100-95600/01, 31100-95310/12/13	2

MOTORES / ENGINES / MOTORI

DT75-DT85Y-J (1988-00)
9 Dientes / 9 tooth / 9 denti



Ref.	R.O.	Tiempos Strokes Tempi
PH130-0052	31100-87000, 31100-87D00, 31100-87D10, 31100-92E00	2

MOTORES / ENGINES / MOTORI

DT90 - DT100L - Y (1990-00)
DT150 - DT200 - DT225W-K3 (1998-03)
V6H-Y (1987-00)
8 Dientes / 8 tooth / 8 denti



Ref.	R.O.	Tiempos Strokes Tempi
PH130-0053	31100-94600, 31100-94601, 31100-94610, 31100-94500/10/11/12	2

MOTORES / ENGINES / MOTORI

DT115 - DT140G-Y (1986-00)
9 Dientes / 9 tooth / 9 denti



Ref.	R.O.	Tiempos Strokes Tempi
PH130-0007	31100-95240, 31100-95242, 31100-95243	2

MOTORES / ENGINES / MOTORI

DT50 (1980-83)
DT65 (1980-82)
9 Dientes / 9 tooth / 9 denti



Ref.	R.O.	Tiempos Strokes Tempi
PH130-0075	31100-94702	2

MOTORES / ENGINES / MOTORI

DT55 - DT65X-J (1988-99)

9 Dientes / 9 tooth / 9 denti



Ref.	R.O.	Tiempos Strokes Tempi
PH130-0079	31100-87J00, 31100-87J11	4

MOTORES / ENGINES / MOTORI

DF40 - DF50X-K10 (1999-10)
DF60 - DF70W-K9 (1998-09)

8 Dientes / 8 tooth / 8 denti



Ref.	R.O.	Tiempos Strokes Tempi
PH130-0077	31100-95J00, 31100-95J01	4

MOTORES / ENGINES / MOTORI

DF20R (2006-2011)
DF25 / DF25R-V2 (2006-11)

9 Dientes / 9 tooth / 9 denti



Ref.	R.O.	Tiempos Strokes Tempi
PH130-0071	31100-90J00, 31100-90J01	4

MOTORES / ENGINES / MOTORI

DF90 - DF100 - DF115K1-K11 (2001-11)
DF110A - DF115A - DF140A (2013+)
DF140 (2002-2012)
DF140A (2013)

9 Dientes / 9 tooth / 9 denti



Ref.	R.O.	Tiempos Strokes Tempi
PH130-0078	31100-96J01, 31100-96J00, 31100-93J00	4

MOTORES / ENGINES / MOTORI

DF70A - DF80A - DF90A (2009+)
DF150G/T/Z (2006+)
DF175G/T/Z (2006+)
DF200 - DF 225 - / DF250 (2004-2012)
DF300T/Z (2007-2011)
DF300AP (2012)

9 Dientes / 9 tooth / 9 denti



MOTORES TRIM Y POWERTRIM TRIM ENGINES AND COMPLETE TRIM MOTORINI TRIM E POWERTRIM

INSTALACIÓN ELÉCTRICA WIRING HARNESS ISTALLAZIONE ELETTRICA

Ref.	R.O.
PH200-WH01	

Sustituye de 2 a 3 cables.
Converts 3-wire Tilt and Trim motors to 2-Wire design
Sustituisce da 2 a 3 cavi.



TRIM COMPLETO COMPLETE TRIM ASSEMBLY MOTORINO TRIM COMPLETO

Ref.	R.O.
SIE18-6865	48600-94511OED

MOTORES / ENGINES / MOTORI

3 RAM
115-225HP



Ref.	R.O.	Tiempos Strokes Tempi
REC38100-96J00	38100-92J02, 38100-92J10, 38100-92J01, 38100-93J02, 38100-96J00, 38100-96J01	4

MOTORES / ENGINES / MOTORI

DF90 / DF100 / DF115K1-K11 (2001-11)
DF200 / DF225 / DF250 (2004-11)
DF300T/Z (2007-2011)
DF150T/Z (2006-12)



Ref.	R.O.	Tiempos Strokes Tempi
REC38100-87J00	37100-87J00-OEP, 38100-87JOEP	4

MOTORES / ENGINES / MOTORI

DF40/DF50X-K10 (1999-10)
TMY99-00



Ref.	R.O.	Tiempos Strokes Tempi
PH200-T046	38100-87J11, 38100-87J20	4

MOTORES / ENGINES / MOTORI

DF40 / DF50X-K10 (1999-2010)



Ref.	R.O.	Tiempos Strokes Tempi
REC38100-99E01-0EP	38100-95E01-OED, 38100-99E01-OEP	2 / 4

MOTORES / ENGINES / MOTORI

DF60 / DF70W-K9 (1998-09)
DF55 / DT65J-X (1988-99)
DT75 / DT85J-Y (1988-00)



Ref.	R.O.	Tiempos Strokes Tempi
REC38100-87E10-OED	38100-87D00, OIT 38100-87D00, 02H 38100-87E10-OED	2

MOTORES / ENGINES / MOTORI

DT90 - DT100L-Y (1990-00)



Ref.	R.O.	Tiempos Strokes Tempi
PH200-T024	38100-87D10-OED 38100-87D10-35J 38100-87D10-OIT 38100-92E00-OED	2

MOTORES / ENGINES / MOTORI

DT150 - DT200 - DT225W-K3 (1998-03)
V6H-Y (1987-00)



**REGULADORES,
BOBINAS Y CDI
REGULATORS,
COILS & CDI
REGOLATORI,
BOBINE E CDI**

**REGULADOR Y BOBINA
REGULATOR & COIL
REGOLATORE E BOBINE**

Ref.	R.O.
REC32900-94480	32900-94401, 32900-94421, 32900-94480

MOTORES / ENGINES / MOTORI

DT40C-W-X-G (1986-99)



**REGULADOR
REGULATOR
REGOLATORE**

Ref.	R.O.
REC32800-95001	32800-95D01

MOTORES / ENGINES / MOTORI

DF9.9 / DF15 (1996-11)
DT4-DT140 (1986-04)
V6 H-Y (1987-00)



BOBINA / COIL / BOBINE

Ref.	R.O.
REC33410-94400-000	33410-94400-000 33410-93E10

MOTORES / ENGINES / MOTORI

DF9.9 - DF15T -K3 (1996-03)
DF9.9 - DF15(R)' (2004-10)
DT40C-W-G-X (1986-99)
DT40W-K1-K4 (2001-04)



Ref.	R.O.
REC32140-93900	32140-93900

MOTORES / ENGINES / MOTORI

DT9.9 / DT15K1-K4 (2001-04)
DT9.9K / DT15K-G-Y (1986-00)



Ref.	R.O.
REC32900-96340	32900-96340

MOTORES / ENGINES / MOTORI

DT20 / DT25 / DT30G-Y (1986-00)



Ref.	R.O.
REC32900-93903	32900-93903, 32900-93902

MOTORES / ENGINES / MOTORI

DT9.9K / DT15G-Y (1986-00)



CDI

Ref.	R.O.
REC32900-93910	32900-93911

MOTORES / ENGINES / MOTORI

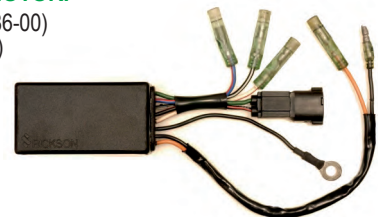
DT9.9K / DT15K-G-Y (1986-00)



Ref.	R.O.
REC32900-96371	32900-96371, 32900-96350 32900-96370

MOTORES / ENGINES / MOTORI

DT20 / DT25 / DT30G-Y (1986-00)
DT25 / DT30K1-K2 (2001-02)



Ref.	R.O.
REC32900-94460	32900-94460, 32900-94470

MOTORES / ENGINES / MOTORI

DT40C-W-G-X (1986-99)
DT40WK1-K4 (2001-04)



LLAVE DE ARRANQUE IGNITION STARTER SWITCH CHIAVI DI ACCENSIONE

Ref. R.O.
REC37110-99E00 37110-99E00

MOTORES / ENGINES / MOTORI
2/4 Tiempos / Strokes / tempi



DESCONECTORES DE SEGURIDAD CUT OFF SWITCHES CHIAVETTA DI SICUREZZA

Ref. R.O.
REC37800-9354 37800-93954, 37800-93953

MOTORES / ENGINES / MOTORI

DT2 / DT2.2G-Y (1986-00)
DT20 / DT25 / DT30G-Y (1986-00)
DT25 / DT30K1-K2 (2001-02)
DT40G-X-W-C (1986-99)
DT9.9 / DT15K1-K5 (2001-04)
DT9.9K / DT15K-G-Y (1986-00)



Ref. R.O.
REC37830-89E03 37830-95000, 37830-89E02

MOTORES / ENGINES / MOTORI

DT15C (1989-97)
DT9.9 / DT15K1-K4 (1986-00)
DT4/J4/DT5Y (1988-97)
DT5Y (1998-02)
DT5 / DT6 / DT8Y-G (1986-00)
DT6 / DT8Y-K2 (2000-02)
DT8 / DT9.9C-J-V (1988-97)
DT9.9K / DT15K-G-Y (1986-00)
DT75 / DT85Y-J (1988-00)



Ref. R.O.
REC37820-92E03 37820-92E00

MOTORES / ENGINES / MOTORI

DT4 / DT140HP
DF9.9 / DF140 HP
V6H-Y



INTERRUPTOR DE PARO STOP SWITCH INTERRUTTORE DI STOP

Ref.	Características / Features / Caratteristiche	Envase / Pack / Qnt
THKS-1	Un fueraborda / Single outboard / Un fueribordo	1 x blister
THKS-2	Un intraborda / Single I/O / Un entrobordeo	1 x blister
THKS-12	Dos fuerabordas / Dual outboard / Due fuoribordo	1 x blister
THKS-22	Dos intrabordas / Dual I/O / Due entrobordeo	1 x blister
THL-4	Cuerda recambio / Spare lanyard / Corda ricambio	1 x blister

Interruptor de encendido para motores.
Aísla los circuitos en unidades dobles
para prevenir el retorno al alternador.
Emergency and stop switch. Isolates
circuits on dual units to prevent
feedback.

Interruttore di accensione per motori.
Isola i circuiti in doppie unità per pre-
venire il ritorno all'alternatore.



KITS

Interruptor de encendido para todo tipo de motores fueraborda o intraborda.
Emergency and stop switch for inboard or outboards.
Interruttore di accensione per tutti i tipi di motori fuoribordo o entrobordeo.

Ref.		Envase / Pack / Qnt
REC40970	Kit completo / Complete kit / Kit completo	1 x blister
REC40990	Cuerda tirador de recambio / Spare Corda elastica di ricambio	1 x blister
GS11290	Kit completo / Complete kit / Kit completo	1 x blister
GS11291	Cuerda tirador de recambio / Spare Corda elastica di ricambio	1 x blister
GS11292	Kit completo / Complete kit / Kit completo	1 x blister

GOLDENSHIP



REC40970 - REC40990

GS11290 - GS11291



GS11292

GOLDENSHIP

Ref.	Envase / Pack / Qnt
GS11294	1 x blister

GOLDENSHIP

Kit de 8 llaves de recambio para:
Kit of 8 spare keys for:
Kit di 8 chiavi di ricambi per:
J/E, OMC, Mercury, Yamaha, Honda,
Suzuki, Tohatsu.



CABLE ACELERADOR THROTTLE CABLE CAVO ACCELERATOR

Ref.	R.O.	HP	ANO YEAR ANNO
REC63610-89E01	63610-89E01-000	DT15C	1989-97
REC63610-93501	63610-93501-000	DT9.9 - 16	1982-92
REC63610-96302	63610-96302-000 (L=490 mm)	D20 / DT25 / DTG-Y	1986-00
REC63610-96321-000	63610-96321-000 (L=560 mm)	DT9.9K / DT15K-G-Y	1986-00
		DT9.9 / DT15K1-K4	2001-04
REC63610-94402	63610-94402-000	DT40C-W-G-X	1986-99
		DT40W-K1-K4	2001-04



SUZUKI

RECAMBIOS
MARINOS S.L.

BUJÍAS CHAMPION SPARK CHAMPION CANDELE CHAMPION



Potencia HP
Power HP
Potenza HP

2 Tiempos / Stroke / Tempi

	Año Year Anno	Ref
DT2	1977-96	CHAL90C
DT2.2	1997+	CHAL90C
DT3.5	1979-84	CHAQL87YC/L87YC
DT4	1985-98	CHAQL87YC/L87YC
DT4.5	1977+	CHAQL86C/L86C
DT5	1978-83	CHAQL87YC/L87YC
DT5Y	1999-01	CHAQL82YC/L82YC
DT6	1984-97	CHAQL87YC/L87YC
DT6	1998-01	CHAQL87YC/L87YC
DT7.5	1977-79	CHAQL86C/L86C
DT8	1980-87	CHAQL87YC
DT9	1977-79	CHAQL86C/L86C
DT9	1993	CHAQL86C/L86C
DT9.9C	1983-97	CHAQL82C/L82C
DT15	1983-88	CHAQL86C
DT15C	1989-97	CHAQL82C
T16	1977-82	CHAQL86C/L86C
DT20	1977-88	CHAQL82C/L82C
DT25C	1977-00	CHAQL82C/L82C
DT30C	1989+	CHAQL82C/L82C
DT35	1989+	CHAQL82C/L82C
DT40	1980-98	CHAQL78C/L78C
DT50	1997-84	CHAQL78C/L78C
DT55	1985-97	CHAQL78C/L78C
DT60	1983-84	CHAQL78C/L78C
DT65	1978-97	CHAQL78C/L78C
DT75	1983-97	CHAQL78C/L78C
DT85	1979-97	CHAQL78C/L78C
DT85	1998+	CHAQL78C/L78C
DT90 V4	1989-97	CHAQL78C/L78C
DT100 V4	1989-01	CHAQL78C/L78C
DT115 Carb	1981-97	CHAQL78C/L78C
DT115 EFI	1996-01	CHAQL78C/L78C
DT115S EFI	1998+	CHAQL78C/L78C
DT140 Carb	1981-96	CHAQL78C/L78C
DT140 EFI	1997-01	CHAQL78C/L78C
DT150 V6 EFI	1986-94	CHAQL78C/L78C
DT175 V6	1991-93	CHAQL78C/L78C
DT200 EFI	1986+	CHAQL78C/L78C
DT225 EFI	1991+	CHAQL78C/L78C



4 Tiempos / Stroke / Tempi

	Año Year Anno	Ref
DF4	2003-04	CHARN9YC
DF6	2003-04	CHARN9YC
DF9.9	1997-04	CHARA8HC
DF15	1997-04	CHARA8HC
DF25	2000-04	CHARA8HC
DF30	2000-04	CHARA8HC
DF40	1999-04	CHARA8HC
DF50	1999-04	CHARA8HC
DF60	1998-04	CHARN9YC
DF70	1998-04	CHARN9YC
DF90	2001-04	CHARC9YC
DF115	2001-04	CHARC9YC
DF140	2002-04	CHARC9YC

BUJÍAS NGK SPARK NGK CANDELE NGK



Potencia HP
Power HP
Potenza HP

2 Tiempos / Stroke / Tempi

	Año Year Anno	Ref NGK	REF. NGK IRIIDIUM
DT2	1986-90	NGKBR4HS	
DT2	1991-99	NGKBR5HS	
DT2.2	1992+	NGKBR5HS	
DT4	1988-92	NGKBP5HS	
DT4	1993-01	NGKBPR5HS	
DT4,5		NGKBR6HS	
DT4L/S	1994+	NGKBPR5HS	
DT4L/S	-1993	NGKBP5HS	
DT5	1986-92	NGKBP6HS	
DT5	1993-94	NGKBPR6HS	
DT5	1995-00	NGKBR6HS	
DT5W	1986-92	NGKBR6HS	
DT5Y	1998-01	NGKBPR7HS-10	
DT6	1986-92	NGKB6HS-10	
DT6	1993-02	NGKBR6HS	
DT6	-1985	NGKB6HS	
DT6	1995-99	NGKBR6HS-10	
DT6S/5PS	-1992	NGKB6HS	
DT7.5		NGKBR6HS	
DT8	1986-02	NGKBPR6HS	
DT8C	1988-97	NGKBR6HS-10	
DT9		NGKB6HS-10	
DT9.9	1986-99	NGKBR7HS-10	
DT9.9	1977-78	NGKB7HS	
DT9.9	1879-84	NGKBR6HS	
DT9.9	1976	NGKB6HS	
DT9.9C	1988-97	NGKBR6HS-10	
DT9.9E	1982+	NGKB6HS	
DT9.9E	1984+	NGKB7HS	
DT9.9E	1983+	NGKBR7HS-10	
DT9.9K	1985-86	NGKB6HS	
DT9.9K	-1985	NGKBR6HS	
DT9.9K	1986-90	NGKB6HS	
DT9.9P	-1983	NGKBPR6HS	
DT15	1986-02	NGKBR7HS-10	
DT15C	1989-97	NGKBR7HS-10	
DT15K	-1985	NGKBR6HS	
DT15K	1986+	NGKB6HS	
DT20	1997-00	NGKBR7HS-10	
DT20/P	-1985	NGKBR7HS	
DT20/P	1986+	NGKBR7HS-10	
DT20K	-1985	NGKBR7HS-10	
DT20K	1986-87	NGKB7HS-10	
DT25	-1985	NGKBR7HS	
DT25	2000-01	NGKBR7HS-10	
DT25C	1989-97	NGKBR7HS-10	
DT25E	1983-85	NGKBPR7HS-10	
DT25E	-1982	NGKB7HS	
DT25E	1986+	NGKBR7HS-10	
DT25K	1986+	NGKBR7HS-10	
DT28P/DT28/DT28E		NGKB7HS	
DT30	1986+	NGKBR7HS-10	
DT30	1983-85	NGKBR7HS-10	
DT30C	1988-00	NGKBR7HS-10	
DT30E	1983+	NGKBR7HS-10	
DT40	-1983	NGKB8HS	NGKBR8HIX
DT40C	1986-99	NGKB8HS-10	
DT40C/CR/TC	1998+	NGKB8HS-10	
DT40W	1995+	NGKB7HS-10	

Potencia HP Power HP Potenza HP	Año Year Anno	Ref NGK	REF. NGK IRIIDIUM
DT40WK	1998+	NGKB7HS-10	
DT40WK	-1997	NGKB7HS	
DT48M	2001+	NGKB8HS-10	
DT48M	-2000	NGKB8HS	NGKBR8HIX
DT50	1979-83	NGKB8HS	NGKBR8HIX
DT50	-1978	NGKB7HS	
DT50	1984-89	NGKB8HS-10	
DT50ACR	1994-96	NGKB8HS-10	
DT50ACR	1993	NGKBR8HS	NGKBR8HIX
DT50C	1984-00	NGKB8HS-10	
DT50K		NGKB7HS	
DT50M/DT50	1986-89	NGKB8HS-10	
DT50M/DT50	-1985	NGKB8HS	NGKBR8HIX
DT50M/DT50	2001+	NGKBR8HS-10	
DT55C	1988-98	NGKBR8HS-10	
DT55M/MQ	-2000	NGKB8HS	NGKBR8HIX
DT55M/MQ	2001+	NGKBR8HS-10	
DT55TC/CRQ	1998+	NGKBR8HS-10	
DT60		NGKB8HS-10	
DT60C	2001+	NGKBR8HS-10	
DT60C	1986-87	NGKB8HS-10	
DT65/T	-1983	NGKBR8HS	NGKBR8HIX
DT65C	1988-99	NGKBR8HS-10	
DT65TC	1994-95	NGKBR8HS-10	
DT75/85	1990-92	NGKB8HS	NGKBR8HIX
DT75/85	1993-00	NGKBR8HS-10	
DT75C	2001+	NGKBR8HS-10	
DT75C	1993-00	NGKB8HS	NGKBR8HIX
DT75M	2001+	NGKBR8HS-10	
DT75M	-2000	NGKBR8HS	NGKBR8HIX
DT75TC	-2000	NGKB8HS	NGKBR8HIX
DT75TC	2001+	NGKBR8HS-10	
DT85	-1992	NGKBR8HS	NGKBR8HIX
DT85C	2001+	NGKBR8HS-10	
DT85C	1993-00	NGKBR8HS	NGKBR8HIX
DT85C	-1992	NGKBR8HS	NGKBR8HIX
DT85M	2001+	NGKBR8HS-10	
DT85M	-2000	NGKBR8HS	NGKBR8HIX
DT85MQ	1995-96	NGKB8HS-10	
DT85Q	2001+	NGKBR8HS-10	
DT85Q	-2000	NGKBR8HS	NGKBR8HIX
DT85TC	-2000	NGKB8HS	NGKBR8HIX
DT85TC	2001+	NGKBR8HS-10	
DT85W	2001+	NGKB8HS-10	
DT85W	-2000	NGKBR8HS	NGKBR8HIX
DT85WT	2001+	NGKB8HS-10	
DT85WT	1995-96	NGKB8HS-10	
DT90	-2000	NGKBR8HCS-10	
DT90	2001+	NGKBR8HS-10	
DT90TC	1996-97	NGKBR8HS	NGKBR8HIX
DT90TC	-1995	NGKBR8HCS-10	
DT90TC	1998+	NGKBR8HS-10	
DT100	2001+	NGKBR8HS-10	
DT100	1996-00	NGKBR8HS-10	
DT100	1990-95	NGKBR8HCS-10	
DT100	2000	NGKBR8HCS-10	
DT100TC	-1995	NGKBR8HCS-10	
DT100TC	1998+	NGKBR8HS-10	
DT100TC	1996-97	NGKBR8HS	NGKBR8HIX
DT115	-1990	NGKB8HS	NGKBR8HIX
DT115	1992+	NGKBR8HCS-10	
DT115C	1991-93	NGKBR8HCS-10	
DT115C	-1990	NGKB8HS	NGKBR8HIX
DT115C	2001+	NGKBR8HS-10	
DT115S	1996+	NGKBR8HS-10	
DT115STC	1996+	NGKBR8HS-10	
DT115TC	-1988	NGKB8HS-10	
DT115TC		NGKBR8HCS-10	
DT115TC(EFI)		NGKBR8HS-10	
DT140	1992+	NGKBR8HCS-10	
DT1140	-1990	NGKB8HS	NGKBR8HIX
DT140 EFI	1996+	NGKBR8HS-10	
DT140C	1991-96	NGKBR8HCS-10	



Potencia HP Power HP Potenza HP	Año Year Anno	Ref NGK	REF. NGK IRIIDIUM
DT1140C	-1990	NGKB8HS	NGKBR8HIX
DT140C EFI	1997+	NGKBR8HCS-10	
DT140T	-2000	NGKBR8HCS-10	
DT140T	2001+	NGKBR8HS-10	
DT140TC	-2000	NGKBR8HCS-10	
DT140TC EFI		NGKBR8HS-10	
DT150	1987-02	NGKBR8HS-10	
DT150G		NGKBR8HS-10	
DT150S		NGKBR8HS-10	
DT150SS		NGKBR8HS-10	
DT150STC		NGKBR8HS-10	
DT150TC	1989+	NGKBR8HS-10	
DT150TC EFI		NGKBR8HS-10	
DT175	1989-02	NGKBR8HS-10	
DT175TC	-1988	NGKB8HS-10	
DT175TC	1989+	NGKBR8HS-10	
DT200	1989-02	NGKBR8HS-10	
DT200G		NGKBR8HS-10	
DT200T		NGKBR8HS-10	
DT200TC	1989+	NGKBR8HS-10	
DT200V		NGKBR8HS-10	
DT225	1991-02	NGKBR8HS-10	
DT225TC		NGKBR8HS-10	
DT225TCL EFI		NGKBR8HS	NGKBR8HIX
4 Tiempos / Stroke / Tempì			
DF2.5	2006+	NGKCR6HS	
DF4	2002+	NGKBPR6ES	NGKBPR6EIX
DF5	2002+	NGKBPR6ES	NGKBPR6EIX
DF6	2002+	NGKBPR6ES	NGKBPR6EIX
DF8A	1995+	NGKCR6E	
DF9.9A	1995+	NGKCR6E	
DF15A	1995+	NGKCR6EA-9	
DF20A	2000+	NGKCR6EA-9	
DF25	2000+	NGKBKR6E	NGKBKR6EIX
DF30	2000+	NGKDCPR6E	NGKDCPR6EIX
DF40	1999+	NGKDCPR6E	NGKDCPR6EIX
DF50	1999+	NGKDCPR6E	NGKDCPR6EIX
DF40A	2011+	NGKDCPR6E	NGKDCPR6EIX
DF50A	2011+	NGKDCPR6E	NGKDCPR6EIX
DF60	1998-2011	NGKDCPR6E	NGKBPR6EIX
DF60A	2011+	NGKDCPR6E	NGKDCPR6EIX
DF70	1992-2011	NGKBPR6ES	NGKBPR6EIX
DF70A	2011+	NGKDCPR6E	NGKDCPR6EIX
DF80A	2011+	NGKDCPR6E	NGKDCPR6EIX
DF90	1998+	NGHBKR6E	NGKBKR6EIX
DF90A	2011+	NGKDCPR6E	NGKDCPR6EIX
DF100	2000+	NGKBKR6E	NGKBKR6EIX
DF100A	2000+	NGKBKR6E	NGKBKR6EIX
DF115	2000+	NGKBKR6E	NGKBKR6EIX
DF115A	2011+	NGKBKR6E	NGKBKR6EIX
DF140	2002+	NGKBKR6E	NGKBKR6EIX
DF140A	2011+	NGKBKR6E	NGKBKR6EIX
DF150	2006+	NGKBKR6E	NGKBKR6EIX
DF175	2006+	NGKBKR6E	NGKBKR6EIX
DF200	2004+	NGKBKR6E	NGKBKR6EIX
DF225	2004+	NGKBKR6E	NGKBKR6EIX
DF250	2004+	NGKBKR6E	NGKBKR6EIX
DF300	2007+	NGKBKR6E	NGKBKR6EIX

SUZUKI

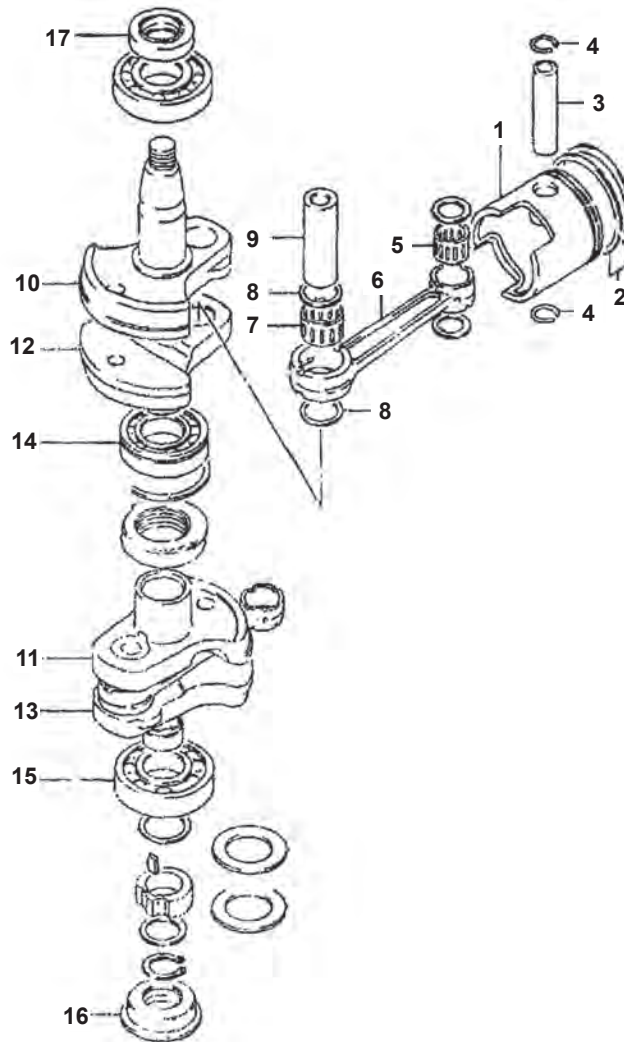
RECAMBIOS
MARINOS S.L.

BLOQUE MOTOR ENGINE BLOCK BLOCCO MOTORE

RECMAR®

2
TIEMPOS
STROKES

DT40C-W-G-X (1986-99)
DTW-K1-KA (2001-04)



Nº	R.O. OEM	Ref.	Descripción	Description	Descrizione	Cantidad Qty Quantità
1		REC12110-94400	PISTÓN	PISTON	PISTONE	2
2		REC12140-94400	SEGMENTO	RING SET, PISTON	SET FASCE	2
3		REC12151-94400	PIN	PIN, PISTÓN	SPINA, PISTONE	2
4		REC09381-20003	CLIP	SNAP RING	CLIP	4
5		REC09263-20072	RODAMIENTO	BEARING	CUSCINETTO	2
6		REC12161-94400	BIELA	CONNECTING ROD	BIELLA	2
7		REC09263-27005	RODAMIENTO	BEARING, CRANK PIN	CUSCINETTO	2
8		REC09160-27008	ARANDELA	WASHER	DONDELLA	4
9		REC12211-94410	PIN CIGÜEÑAL	PIN, CRANK	SPINOTTO ALBERO MOTORE	2
10		REC12221-94412	CIGÜEÑAL, SUP.	CRANKSHAFT, UPPER	ALBERO MOTORE, SUP.	1
11		REC12232-94412	CIGÜEÑAL, CENTRAL-INFERIOR	WHEEL, CRANKSHAFT, UNDER	ALBERO MOTORE, MED-INF	1
12		REC12231-94413	CIGÜEÑAL, CENTRAL-SUPERIOR	WHEEL, CRANKSHAFT, UPPER	ALBERO MOTORE, MED-SUP	1
13		REC12240-94432	CIGÜEÑAL, INF	CRANKSHAFT, UNDER	ALBERO MOTORE, INF.	1
14		REC09269-30012	RODAMIENTO, MEDIO	BEARING, MIDDLE	CUSCINETTO, MED.	1
15		REC09262-35052	RODAMIENTO INF.	BEARING, UNDER	CUSCINETTO, INF.	1
16		REC09283-30062	RETÉN	OIL SEAL	PARAOLIO	1
17		REC09283-35043	RETÉN	OIL SEAL	PARAOLIO	1

PISTONES PISTONS PISTONI

Ref.	R.O.		
REC12110-93130K	12110-93130	Kit Pistón/ Piston kit/ Kit Pistoni	STD
REC12151-931000	12151-93100	Bulón / Pin / Bulone	
REC12140-93121	12140-93121	Aros / Rings / Fasce	STD
REC09263-14014	09263-14014	Rodamientos / Bearing / cuscinetto	
REC09381-14001	09381-14001	Clip	

MOTORES / ENGINES / MOTORI

DT99/DT15K-G-Y (1986-00)
DT9.9 / DT15K1-K4 (2001-04)



Ref.	R.O.		
REC12110-94350K		Kit Pistón/ Piston kit/ Kit Pistoni	STD
REC09381-18002	09381-18002	Clip	

MOTORES / ENGINES / MOTORI

DT35 (1980-1982)
DT40 (1980-1982)



Ref.	R.O.		
REC12110-94400K		Kit Pistón/ Piston kit/ Kit Pistoni	STD
REC12151-94400	12151-94400	Bulón / Pin / Bulone	
REC12140-94400	12140-94400	Aros / Rings / Fasce	STD
REC09263-20072	09263-20072	Rodamientos / Bearing / cuscinetto	
REC09381-20003	09381-20003	Clip	

MOTORES / ENGINES / MOTORI

DT40C-W-G-X (1986-99)
DT40W-K1-K4 (2001-04)



BIELAS CONNECTING ROD BIELLA

Ref.	R.O.
REC12161-93902	12161-93902

MOTORES / ENGINES / MOTORI

DT9.9K / DT15K-G-Y (1986-00)
DT9.9 / DT15K1-K4 (2001-04)
DT15C (1989-97)

Ref.	R.O.
REC12161-96300	12161-96300

MOTORES / ENGINES / MOTORI

DT20 / DT25/ DT30G-Y (1986-00)
DT25/ DT30K1-K2 (2001-02)

Ref.	R.O.
REC12161-94400	12161-94400

MOTORES / ENGINES / MOTORI

DT40C-W-G-Y (1986-99)
DT40WK1-K4 (2001-04)
DT55 / DT65J-X (1988-99)



RODAMIENTOS BEARING CUSCINETTI

PIE / FOOT / PIEDE

Ref.	R.O.
REC09263-20051	09263-20051

MOTORES / ENGINES / MOTORI

DT15C (1989-97)
DT9.9 / DT15K1-K4 (2001-04)
DT9.9K / DT15K-G-Y (1986-00)



Ref.	R.O.
REC09263-27005	09263-27005

MOTORES / ENGINES / MOTORI

DT40C-W-G-X (1986-99)
DT40W K1-K4 (2001-04)
DT55 / DT65J-X (1988-99)



CABEZA / HEAD / TESTA

Ref.	R.O.
REC09263-14022	09263-14022

MOTORES / ENGINES / MOTORI

DT9.9K / DT15K G-Y (1986-00)
DT9.9 / DT15K1-K4 (2001-04)



Ref.	R.O.
REC09263-18016	09263-14022

MOTORES / ENGINES / MOTORI

DT25 (1983-88)
DT30 (1983-88)



Ref.	R.O.
REC09263-20072	09263-20072

MOTORES / ENGINES / MOTORI

DT40C-W-G-X (1986-99)
DT40W K1-K4 (2001-04)
DT55 / DT65J-X (1988-99)
DT90 / DT100L-Y (1990-00)



Ref.	R.O.
REC09263-24018	09263-24018

MOTORES / ENGINES / MOTORI

DF20 (1986-88)
DT25 (1983-88)
DT30 (1983-85)
DT40 (1984-85)
DT50 (1984+)



ARANDELAS THRUST WASHER RONDELLA

Ref.	R.O.
REC09160-27008	09160-27008

MOTORES / ENGINES / MOTORI

DT35 (1987-89) DT55 (1985-97)
DT40 (1986-98) DT65 (1985-97)



Ref.	R.O.
REC09181-24001	09181-24001

MOTORES / ENGINES / MOTORI

DT20 / DT25 / DT30G-Y (1986-00)
DT25 / DT30K1-K2 (2001-02)



Ref.	R.O.
REC09160-20052	09160-20052

MOTORES / ENGINES / MOTORI

DT15C (1989-97)
DT9.9 / DT15K1-K4 (2001-04)
DT9.9K / DT15K-G-Y (1986-00)



CIGÜEÑAL CRANKSHAFT ALBERO MOTORE

CIGÜEÑAL SUPERIOR CRANKSHFT UPPER ALBERO MOTORE SUPERIORE

Ref.	R.O.
REC12221-94412	12221-94412

MOTORES / ENGINES / MOTORI

DT40C-W-G-X (1986-99)
DTW-K1-K4 (2001-04)



CIGÜEÑAL CENTRAL - SUPERIOR WHEEL, CRANKSHFT UPPER ALBERO MOTORE CENTRALE SUPERIORE

Ref.	R.O.
REC12231-94413	12231-94413

MOTORES / ENGINES / MOTORI

DT40C-W-G-X (1986-99)
DTW-K1-K4 (2001-04)



CIGÜEÑAL CENTRAL - INFERIOR WHEEL, CRANKSHFT UNDER ALBERO MOTORE CENTRALE INFERIORE

Ref.	R.O.
REC12232-94412	12232-94412

MOTORES / ENGINES / MOTORI

DT40C-W-G-X (1986-99)
DTW-K1-K4 (2001-04)



CIGÜEÑAL INFERIOR CRANKSHFT UNDER ALBERO MOTORE INFERIORE

Ref.	R.O.
REC12240-94432	12240-94432

MOTORES / ENGINES / MOTORI

DT40C-W-G-X (1986-99)
DTW-K1-K4 (2001-04)



RODAMIENTOS CIGÜEÑAL BEARING CRANKSHAFT CUSCINETTI ALBERO MOTORE

Ref.	R.O.
REC09262-25078	09262-25078

MOTORES / ENGINES / MOTORI

DT9.9K / DT15K-G-Y (1986-00)
DT9.9/DT15K1-K4 (2001-04)

25 x 25 x 15 mm



Ref.	R.O.
REC09262-30055	09262-30055

MOTORES / ENGINES / MOTORI

DT20/DT25/DT30G-Y (1986-00)
DT25 / DT30K1-K2 (2001-04)
DT75 / DT85J-Y (1988-00)

30 x 72 x 19 mm

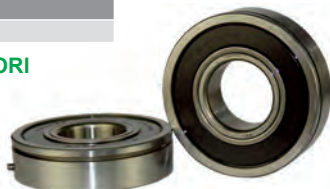


Ref.	R.O.
REC09269-30012	09269-30012

MOTORES / ENGINES / MOTORI

DT40X-W-G-X (1986-99)
DT40WK1-K4 (2001-04)
DT55 / DT65J-X (1988-99)
DT75 / DT85J-Y (1988-00)

30 x 72 x 19 mm



JUNTA DE CULATA GASKET CYLINDER HEAD GUARNIZIONE TESTATA



JUNTA DE CULATA GASKET CYLINDER HEAD GUARNIZIONE TESTATA

Ref.	R.O.
REC11141-98401	11141-98411

MOTORES / ENGINES / MOTORI

DT2 / DT2.2 G-Y (1686-00)



Ref.	R.O.
REC11141-98130	11141-98130

MOTORES / ENGINES / MOTORI

DT5 / DT6 / DT8G-Y (1986-00)
DT6 / DT8Y-KS (2000-02)



Ref.	R.O.
REC11141-92D20	11141-92D20

MOTORES / ENGINES / MOTORI

DT8 / DT9.9C-J-V (1988-97)



Ref.	R.O.
REC11141-93960	11141-93950

MOTORES / ENGINES / MOTORI

DT9.9D / DT15K-G-Y (1986-00)
DT9.9 / DT15K1-K4 (2001-04)
DT15C (1989-97)



Ref.	R.O.
REC11141-96303	11141-96344

MOTORES / ENGINES / MOTORI

DT20 / DT25 / DT30G-Y (1986-00)



Ref.	R.O.
REC11141-95D40	11141-95D40

MOTORES / ENGINES / MOTORI

DT25C / DT30C-K-Y (1989-00)



Ref.	R.O.
REC11141-96344	11141-96343

MOTORES / ENGINES / MOTORI

DT25 / DT30 K1-K2 (2001-02)



Ref.	R.O.
REC11141-94450	11141-94450

MOTORES / ENGINES / MOTORI

DT40C-W-G-X (1986-99)



Ref.	R.O.
GLM36250	11141-94701/94720

MOTORES / ENGINES / MOTORI

DT55 / DT65J-X (1988-99)



Ref.	R.O.
GLM36260	11141-95505/95621

MOTORES / ENGINES / MOTORI

DT75 / DT85J-Y (1988-00)



Ref. R.O.
GLM36230 11141-94506/94620

MOTORES / ENGINES / MOTORI
DT115 / DT140G-Y (1986-00)
4 Inline



Ref. R.O.
GLM36220 11141-87D90/87E20

MOTORES / ENGINES / MOTORI
DT90 / DT100L-Y (1999-00)
V4



Ref. R.O.
GLM36200 11141-87D90/87D61

MOTORES / ENGINES / MOTORI
150/200 HP (1986)
V6



Ref. R.O.
GLM36210 11141-87D92/87D32

MOTORES / ENGINES / MOTORI
V6H-Y (1987-00)
DT150 / DT200 /
DT225W-K3 (1998-03)



4
STROKES
TIEMPOS

JUNTA DE CULATA
GASKET CYLINDER HEAD
GUARNIZIONE TESTATA

Ref. R.O.
REC11141-97J02 11141-97JL0

MOTORES / ENGINES / MOTORI
DF2.5 (2006-15)



Ref. R.O.
REC11141-93E20 11141-93E20

MOTORES / ENGINES / MOTORI
DF9.9 / DF15T-K3 (1996-03)
DF9.9 / DF15 (R) (2004-11)



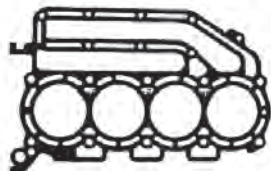
Ref. R.O.
REC11141-95J00 11141-95J00

MOTORES / ENGINES / MOTORI
DF20 / DF25 / DF25R V2 (2006-11)



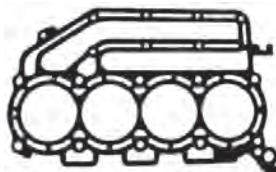
Ref. R.O.
REC11141-90J01 11141-90J00

MOTORES / ENGINES / MOTORI
DF90 / DF100 / DF115K1-K11 (2001-2011)



Ref. R.O.
REC11141-92J01 11141-92J00

MOTORES / ENGINES / MOTORI
MODELOS A / A MODELS / MODELLO A
DF100A / DF115A / DF140A (2013+)
DF140 (2002-12)



Ref. R.O.
REC11141-93J10 11141-93J03 STB

MOTORES / ENGINES / MOTORI
DF200 / DF225 / DF250 (2004+)



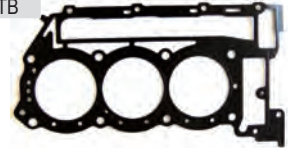
Ref. R.O.
REC11142-93J10 11142-93J03 PORT

MOTORES / ENGINES / MOTORI
DF200 / DF225 / DF250 (2004+)



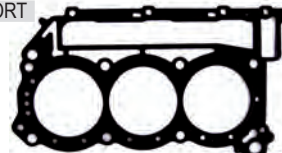
Ref. R.O.
REC11141-98J10 11141-98J01 STB

MOTORES / ENGINES / MOTORI
DF300AP (2012)
DF300T-Z (2007-11)



Ref. R.O.
REC11142-98J10 11142-98J00 PORT

MOTORES / ENGINES / MOTORI
DF300AP (2012)
DF300T-Z (2007-11)



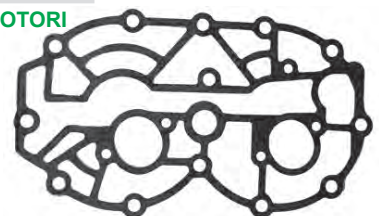
GUÍA JUNTAS CULATA
GASKET CYLINDER GUIDE
GUIDA GUARNIZIONE TESTATA

MODELO MODEL MODELLO	AÑO YEAR ANNO	R.O. OEM	REF
DT2.2/DT2.2 G-Y	1986-00	11141-98411	REC11141-98401
DT5/DT6/DT8 G-Y	1986-00	11141-98130	REC11181-98130
DT6/DT8 Y-K2	2000-02	11141-98130	REC11181-98130
DT8/DT9.9 C-J-V	1998-97	11141-92D20	REC11141-92D20
DT9.9K/DT15 K-G-Y	1986-00	11141-93950	REC11141-93960
DT9.9/DT15 K1-K4	2001-04	11141-93950	REC11141-93960
DT15C	1989-97	11141-93950	REC11141-93960
DT20/DT25/DT30 G-Y	1986-00	11141-96344	REC11141-96303
DT25-DT30 C-K-Y	1989-00	11141-95D40	REC11141-95D40
DT25/DT30 K1-K2	2001-01	11141-96343	REC11141-96344
DT40 C-W-G-X	1986-99	11141-94440	REC11141-94450
DT55/DT65 J-X	1988-99	11141-94720	GLM36250
DT75/DT85 J-Y	1988-00	11141-95621	GLM36260
DT90/DT100 L-Y	1990-00	11141-87E20	GLM36220
DT115/DT140 G-Y	1986-00	11141-94620	GLM36230
DT150/DT200 V6	1986-86	11141-87D61	GLM36200
DT150/DT200/DT225 W-K3	1998-03	11141-87D32	GLM36210
DF2.5	2006-15	11141-97JL0	REC11141-97J02
DF9.9/DF15 T-K3	1996-03	11141-93E20	REC1114193E20
DF9.9/DF15 R	2004-11	11141-93E20	REC1114193E20
DF20/DF25 R-V2	2006-11	11141-95J00	REC11141-95J00
DF90/DF100/DF115 K1-K11	2001-11	11141-90J01	REC11141-90J01
DF100A/DF115A/DF140A	2013 +	11141-92J00	REC11141-92J01
DF140	2002-12	11141-92J00	REC11141-92J01
DF200/DF225/DF250 V6 (STB)	2004 +	11141-93J03	REC11141-93J10
DF200/DF225/DF250 V6 (PORT)	2004 +	11142-93J03	REC11142-93J10
DF300 T/Z V6 (STB)	2007-11	11141-98J01	REC11141-98J10
DF300 T/Z V6 (PORT)	2007-11	11142-98J00	REC11141-98J10
DF300 AP V6 (STB)	2012-12	11141-98J01	REC11141-98J10
DF300 AP V6 (PORT)	2012-12	11142-98J00	REC11141-98J10

JUNTAS CULATÍN
GASKET, HEAD COVER
GUARNIZIONE COPERCHIO TESTA

Ref. R.O.
REC11162-94410 11162-94410

MOTORES / ENGINES / MOTORI
DT40C-WG-X (1986-99)
DT40W K1-K4 (2001-04)



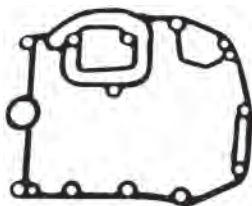
SUZUKI

RECAMBIOS
MARINOS S.L.

JUNTAS CARTER OIL PAN GASKET GUARNIZIONE CARTER

Ref.	R.O.
REC11489-90J00	11489-90J00

MOTORES / ENGINES / MOTORI
DF90 / DF100 / DF115 K1-K11 (2001-11)
DF140 (2002-12)
DF115WT / DF140WT-K3 (2003)
DF100A / DF115A 7 / DF140 (2013+)



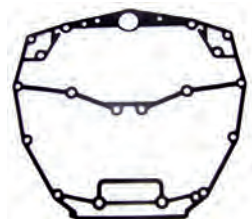
Ref.	R.O.
REC11489-93E11	11489-93E10

MOTORES / ENGINES / MOTORI
DF9.9 / DF15 (R) (2004-11)
DF15 (2012)



Ref.	R.O.
REC11489-93J00	11489-93J00

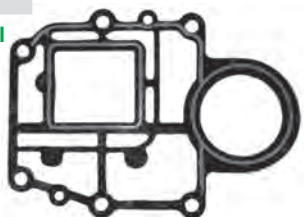
MOTORES / ENGINES / MOTORI
DF200 / DF225 / DF250 (2004+)
DF300AP (2012)
DF300T-Z (2007-11)



JUNTAS BASE GASKET, UNDER OIL GUARNIZIONE BASE OLIO

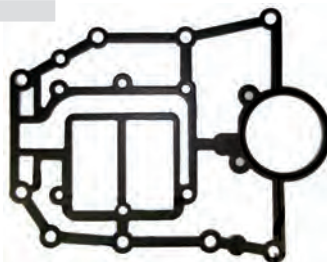
Ref.	R.O.
REC11433-93912	11433-93901

MOTORES / ENGINES / MOTORI
DT9.9 / DT15 K1-K4 (2001-04)
DT9.9K / DT15K-G-Y (1986-00)



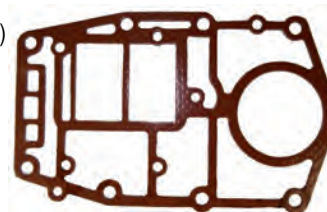
Ref.	R.O.
REC11433-94412	11433-94412

MOTORES / ENGINES / MOTORI
DT40C-W-G-X (1986-00)



Ref.	R.O.
REC11433-96330	11433-96302

MOTORES / ENGINES / MOTORI
DT20 / DT25 / DT30G-Y (1986-00)
DT25 / DT30 K1-K2 (2001-02)



Ref.	R.O.
REC51142-93J00	51142-93J00

MOTORES / ENGINES / MOTORI
DF200 / DF225 / DF250 (2004+)
DF300AP (2012)
DF300T-Z (2007-11)



JUNTAS BASE MOTOR GASKET, ENGINE HOLDER GUARNIZIONE, BASE MOTORE

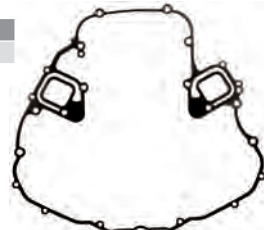
Ref.	R.O.
REC51211-90J10	51211-90J22

MOTORES / ENGINES / MOTORI
DF90 / DF100 / DF115 K1-K11 (2001-11)
DF140 (2002-12)



Ref.	R.O.
REC51211-93J00	51211-93J00

MOTORES / ENGINES / MOTORI
DF200 / DF225 / DF250 (2004-15)
DF300AP (2012)
DF300T/Z (2007-11)

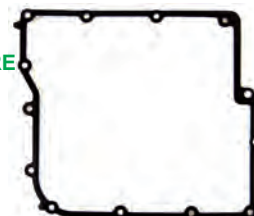


JUNTAS COLECTOR GASKET, COLLECTOR GUARNIZIONE COLLECTTORE

**JUNTA TAPA COLECTOR
GASKET, COLLECTOR COVER
GUARNIZIONE, TAPPO COLLECTTORE**

Ref.	R.O.
REC13147-98J00	13147-98J00

MOTORES / ENGINES / MOTORI
DF300AP (2012)
DF300T/Z (2007-11)



**JUNTA COLECTOR ADMISIÓN
GASKET, INTAKE MANIFOLD
GUARNIZIONE, COLLETTORE DI ASPIRAZIONE**

Ref.	R.O.
REC13119-93J00	13119-93J00

MOTORES / ENGINES / MOTORI
DF200 / DF225 / DF250 (2004+)



Ref.	R.O.
REC13122-95J00	13122-95J00

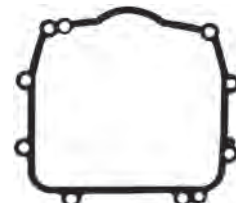
MOTORES / ENGINES / MOTORI
DF20R / DF25 / DF25R V2 (2006 -11)



JUNTAS, BASE RETÉN GASKET, MOUNT OIL SEAL COVER GUARNIZIONE, BASE PARAOLIO

Ref.	R.O.
REC51123-93J00	51123-93J00

MOTORES / ENGINES / MOTORI
DF200 / DF225 / DF250 (2004+)
DF300AP (2012)
DF300T/Z (2007-11)



JUNTA, GUÍA CADENA GASKET TIMING CHAIN GUIDE BASE GUARNIZIONE CARTER CATENA GUIDA BASE

Ref.	R.O.
REC12778-93J00	12778-93J00

MOTORES / ENGINES / MOTORI
DF200 / DF225 / DF250 (2004+)
DF300AP (2012)
DF300T/Z (2007-11)



JUNTAS GASKET OIL GALLERY GUARNIZIONE OLIO

Ref.	R.O.
REC16433-93J00	16433-93J00

MOTORES / ENGINES / MOTORI
DF200 / DF225 / DF250 (2004+)
DF300AP (2012)
DF300T/Z (2007-11)



Ref.	R.O.
REC17693-95J00	17693-95J00

MOTORES / ENGINES / MOTORI
DF20R / DF25 / DF25R V2 (2006-11)



JUNTA, CUERPO MARIPOSA GASKET, THROTTLE BODY GUARNIZIONI, CORPO FARFALLATO

Ref.	R.O.
REC13421-98J00	13421-98J00

MOTORES / ENGINES / MOTORI
DF300AP (2012)
DF300T/Z (2007-11)



JUNTAS ESCAPE EXHAUST GASKET GUARNIZIONE SCARICO

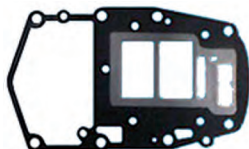
Ref.	R.O.
REC14212-94413	14212-94412

MOTORES / ENGINES / MOTORI
DT40C-W-G-X (1986-99)



Ref.	R.O.
REC52113-96330	52113-96304

MOTORES / ENGINES / MOTORI
DT20 / DT25 / DT30G-Y (1986-00)
DT25 / DT30K1-K4 (2001-02)



Ref.	R.O.
REC52113-93910	52113-93901

MOTORES / ENGINES / MOTORI
DT9.9 / DT15 K1-K4 (2001-04)
DT9.9K / DT15K-G-Y (1986-00)



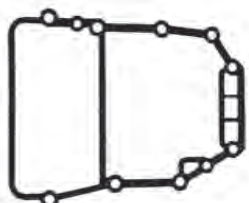
Ref.	R.O.
REC14151-96311	14151-96310

MOTORES / ENGINES / MOTORI
DT20 / DT25 / DT30G-Y (1986-00)
DT25 / DT30 K1-K2 (2001-02)



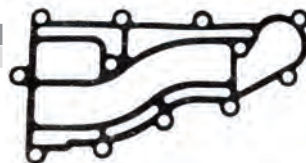
Ref.	R.O.
REC11434-94411	11434-94411

MOTORES / ENGINES / MOTORI
DT40C-W-G-X (1986-99)
DT40W K1-K4 (2001-04)



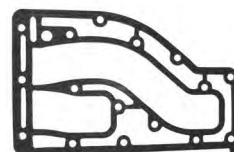
Ref.	R.O.
REC14151-93912	14151-93901

MOTORES / ENGINES / MOTORI
DT9.9 / DT15 K1-K4 (2001-04)
DT9.9K / DT15K-G-Y (1986-00)



Ref.	R.O.
REC14151-94411	14151-94412

MOTORES / ENGINES / MOTORI
DT40C-W-G-X (1986-99)
DT40W K1-K4 (2001-04)



JUNTA TUBO ESCAPE GASKET, EXHAUST TUBE GUARNIZIONE, TUBO DI SCARICO

Ref.	R.O.
REC14212-93J00	14212-93J00

MOTORES / ENGINES / MOTORI
DF200 / DF225 / DF250 (2004+)
DF300AP (2012)
DF300T/Z (2007-11)



Ref.	R.O.
REC52331-87L00	52331-87L00

MOTORES / ENGINES / MOTORI
DF70A / DF80A / DF90A (2009+)



JUNTA TAPA ESCAPE GASKET, EXHAUST COVER GUARNIZIONE, COPERTURA SCARICO

Ref.	R.O.	
REC14152-93J00	14152-93J00	PORT
REC14151-93J00	14151-93J00	STB

MOTORES / ENGINES / MOTORI
DF200 / DF225 / DF250 (2004+)
DF300AP (2015)
DF300T/Z (2007-11)



REC14151-93J00

REC14152-93J00

RETENES ACEITE OIL SEALS PARAOLIO

Ref.	R.O.
REC09282-10008	09282-10008

MOTORES / ENGINES / MOTORI
DF2.5 (2006-13)
DF4 / DF5 / DF6 (2002+)
DT4/J4 / DT5Y (1988-02)
DT4K1 (2001)
10 x 21 x 4.5 mm



Ref.	R.O.
REC09282-12008	09282-12008

MOTORES / ENGINES / MOTORI
DF2.5 (2012)
DTK1 (2001)
DF4 / DF5 / DF6 (2002-12)
DT4 / J4 / DT5Y (1988-02)
DT8 / DT9.9C-J-V (1988-97)
12 x 24 x 4.5 mm



Ref.	R.O.
REC09282-12010	09282-12010

MOTORES / ENGINES / MOTORI
DF9.9 / DF15 (R) (2004-12)
DF9.9 / DF15T-K3 (1996-03)
DT15C (1989-97)
DT9.9K / DT15K-G-Y (1986-00)
DT9.9 / DT15K1-K4 (2001-04)
12 x 25 x 7 mm



Ref.	R.O.
REC09282-15008	09282-15008

MOTORES / ENGINES / MOTORI

DF20R / DF25 / DF25RVZ (2006-11)
DT20 / DT25 / DT30G-Y (1986-00)
DT25 / DT301-K2 (2001-02)

14.7 x 25 x 6.5 mm



Ref.	R.O.
REC09282-17005	09282-17005

MOTORES / ENGINES / MOTORI

DF40 / DF50X-K10 (1999-10)
DF40A / DF50A / DF60A (2010+)
DT40X-W-G-X (1986-99)
DT40W-K1-K4 (2001-04)

17 x 32 x 6 mm



Ref.	R.O.
REC09282-17009	09282-17009

MOTORES / ENGINES / MOTORI

DF25 / DF30W-K6 (2000-06)
DF40 / DF50Y-K10 (1999-10)
DT25C / DT30C-K-Y (1989-00)
DT40C-W-G-X (1986-99)
DT40W-K1-K4 (2001-04)
DT55 / DT65J-X (1988-99)

17 x 28 x 6 mm



Ref.	R.O.
REC09283-10003	09283-10003

MOTORES / ENGINES / MOTORI

DT4 / J4 / DT5Y (1988-02)
DT4K1 (2001)
DT5 / DT6 / DT8G-Y (1986-00)
DT6 / DT8Y-K2 (2000-02)

10 x 22 x 6 mm



Ref.	R.O.
REC09283-10009	09283-10009

MOTORES / ENGINES / MOTORI

DF4 / DF5 / DF6 (2002+)

10 x 45 x 5 mm



Ref.	R.O.
REC09283-17002	09283-17002

MOTORES / ENGINES / MOTORI

DT2 / DT2.2G-Y (1986-00)
DT2.2K1-K5 (2001-05)

17 x 29 x 7 mm



Ref.	R.O.
REC09283-20018	09283-20018

MOTORES / ENGINES / MOTORI

DT4K1 (2001)
DT4 / J4 / DT5Y (1988-02)
DT8 / DT9.9C-J-V (1988-97)
DT15C (1989-97)

20 x 37 x 9 mm



Ref.	R.O.
REC09283-20045	09283-20045

MOTORES / ENGINES / MOTORI

DT4 -J4-DT5Y (1988-00)
DT5Y (1998-02)
DT4K1 (2001)



Ref.	R.O.
REC09283-25035	09283-25035

MOTORES / ENGINES / MOTORI

DT15C (1989-97)
DT9.9K / DT15K-G-Y (1986-00)
DT9.9 / DT15K1-K4 (2001-04)

25 x 40 x 7 mm



Ref.	R.O.
REC09283-25075	09283-25075

MOTORES / ENGINES / MOTORI

DT9.9K / DT15K-G-Y (1986-00)
DT9.9 / DT15K1-K4 (2001-04)

25 x 52 x 7 mm



Ref.	R.O.
REC09283-25076	09283-25076

MOTORES / ENGINES / MOTORI

DF4 / DF5 / DF6 (2002+)

25 x 45 x 5 mm



Ref.	R.O.
REC09283-30062	09283-30062

MOTORES / ENGINES / MOTORI

DT20 / DT25 / DT30G-Y (1986-00)
DT25 / DT30K1-K2 (2001-02)
DT40C-W-G-X (1986-99)
DT40W K1-K4 (2001-04)
DT55 / DT65J-X (1988-99)
DT75 / DT85Y (1988-00)

30 x 55 x 8 mm



Ref.	R.O.
REC09283-30064	09283-30064

MOTORES / ENGINES / MOTORI

DT20 / DT25 / DT30G-Y (1986-00)
DT25 / DT30K1-K2 (2001-02)

30 x 55 x 10 mm



Ref.	R.O.
REC09283-35043	09283-35043

MOTORES / ENGINES / MOTORI

DT40C-W-G-X (1986-99)
DT40WK1-K4 (2001-04)
DT55 / DT65J-X (1988-99)

35 x 55 x 7 mm



Ref.	R.O.
REC09289-10005	09289-10005

MOTORES / ENGINES / MOTORI

DT2 / DT2.2G-Y (1986-00)
DT2.2 K1-K5 (2001-05)



Ref.	R.O.
REC09289-12002	09289-12002

MOTORES / ENGINES / MOTORI

DT2 / DT2.2 G-Y (1986-00)
DT2.2 K1-K5 (2001-05)

12 x 28 x 8 mm



Ref.	R.O.
REC09289-17004	09289-17004

MOTORES / ENGINES / MOTORI

DT20 / DT25 / DT30G-Y (1986-00)
DT25 / DT30K1-K2 (2001-02)

17 x 30 x 9 mm



Ref.	R.O.
REC09289-17006	09289-17006

MOTORES / ENGINES / MOTORI

DF8A-AR / DF9.9A-AR (2010-12)
DF9.9 / DF15(R) (2004-12)
DF9.9 / DF15T-K3 (1996-03)
D9.9K / DT15K-G-Y (1986-00)
DT9.9 / DT15K1-K4 (2001-04)
DT15C (1989-97)

17 x 30 x 6 mm



Ref.	R.O.
REC09289-20009	09289-20009

MOTORES / ENGINES / MOTORI

DF20R / DF25 / DF25RVZ (2006-11)
DF25 / DF30Y-K6 (2000-06)
DT20 / DT25 / DT30G-Y (1986-00)
DT25 / DT30K1-K2 (2001-02)
DT25C / DT30C-K-Y (1989-00)

20 x 34 x 6,5 mm



Ref.	R.O.
REC09289-22007	09289-22007

MOTORES / ENGINES / MOTORI

DF40A / DF50A / DF60A (2010+)
 DF40 / DF50X-K10 (1999-10)
 DT40X-W-G-X (1986-99)
 DT40C-W-G-X (1986-99)
 DT40W-K1-K4 (2001-04)
 DT55 / DT65J-X (1988-99)

21.2 x 35 x 5 mm

Ref.	R.O.
REC09289-30008	09289-30008

MOTORES / ENGINES / MOTORI

DT9.9K / DT15K-G-Y (1986-00)
 DT9.9 / DT15K1-K4 (2001-04)

30 x 52 x 10 mm



**KITS CARBURADOR
 CARBURETOR KIT
 GUIDA CARBURATORI**

Ref.	R.O.
REC13910-87D00	13910-87D00



Ref.	R.O.
REC13910-94701	13910-94701



Ref.	R.O.
REC13910-94400	13910-94400



Ref.	R.O.
REC13910-95D00	13910-95D00



Ref.	R.O.
REC13910-89J01	13910-89J01



MODELO MODEL MODELLO	AÑO YEAR ANNO	REF
DT25C / DT30C-K-Y	1989-00	REC13910-95D00
DF25 / DF30Y-K6	2000-06	REC13910-89J01
DT40C-W-G-X	1986-99	REC13910-94400
DT40W-K1-K4	2001-04	REC13910-94400
DT55 / DT65J-X	1988-99	REC13910-94701
DT75 / DT85J-Y	1988-00	REC13910-94701
DT115 / DT140G-Y	1986-00	REC13910-94701
DT90 / DT100L-Y	1990-00	REC13910-87D00
V6 H-Y	1987-00	REC13910-87D00

**BOMBA COMBUSTIBLE
 FUEL PUMP ASSY
 POMPA BENZINA**

Ref.	R.O.
REC15200-96J00	15200-96J00

MOTORES / ENGINES / MOTORI

DF150 / DF175T/Z (G) (2014)
 DF150 / DF175T/Z (2006-13)
 DF200A (2015)



**KIT MEMBRANAS BOMBA COMBUSTIBLE
 DIAPHRAGM SET, FUEL PUMP
 KIT MEMBRANA POMPA BENZINA**

Ref.	R.O.
REC15170-93911	15170-93920

MOTORES / ENGINES / MOTORI

DT9.9K / DT15K-G-Y (1986-00)
 DT9.9 / DT15K1-K4 (2001-04)
 DT8 / DT9.9C-J-V (1988-97)
 DT15C (1989-97)



Ref.	R.O.
REC15170-94320	15170-94320

MOTORES / ENGINES / MOTORI

DT20 / DT25 / DT30G-Y (1986-00)
 DT25 / DT30 K1-K2 (2001-02)
 DT25C / DT30C K-Y (1989-00)
 DT40C-W-G-X (1986-99)
 DT40W-K1-K4 (2001-04)
 DT55 / DT65J-X (1988-99)



Ref.	R.O.
REC15170-98110	15170-98110

MOTORES / ENGINES / MOTORI

DT4 / J4 / DT5Y (1988-00)
 DT4 K1 (2001)
 DT5Y (1998-02)
 DT5 / DT6 / DT8G-Y (1986-00)
 DT6 / DT8Y-K2 (2000-02)



Ref.	R.O.
REC15170-91J00	15170-91J00

MOTORES / ENGINES / MOTORI

DF4 / DF5 / DF6 (2002-11)



Ref.	R.O.
REC15170-94J00	15170-94J00

MOTORES / ENGINES / MOTORI

DF8A / DF8AR / DF9.9A / DF9.9AR (2010-11)
 DF9.9 / DF15 (R) (2004-11)



Ref.	R.O.
REC15170-99E00	15170-99E00

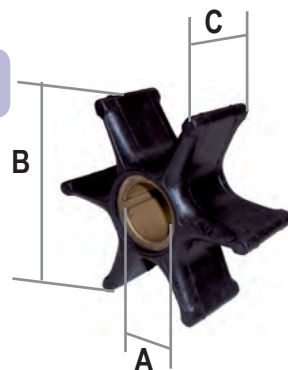
MOTORES / ENGINES / MOTORI

DF9.9 / DF15R-K3 (1996-03)
 DF25 / DF30Y K6 (2000-06)
 DF40 / DF50Z-K10 (1999-10)
 DF60 / DF70W-K9 (1998-09)



GUÍA IMPULSORES / IMPELLER GUIDE / GUIDA GIRANTE

Todos los motores Suzuki utilizan impulsores de 6 palas. MEDIDAS mm (A-B-C)
 All Suzuki engines use 6 impellers blades. Measurements mm (A-B-C)
 Tutti i motori utilizzano giranti con 6 pale. Misure mm (A-B-C)



Modelo Model Modello	AÑO YEAR ANNO	R.O. OEM	Ref. RECMAR	Ref. CEF	Medidas / Measurements / Misure		
					A	B	C
DT4	1988-2001	17461-98501,2,3	REC17461-98503	CEF500336	10,15	41,00	14,00
DT5	1986-2002	17461-98501,2,3	REC17461-98503	CEF500336	10,15	41,00	14,00
DT6	1984-2002	17461-98501,2,3	REC17461-98503	CEF500336	10,15	41,00	14,00
DT8	1980-1987	17461-98501,2,3	REC17461-98503	CEF500336	10,15	41,00	14,00
DT8	1988-1997	17461-92D02	REC17461-92D02	CEF500319	12,20	42,00	20,00
DT9,9	1980-1987	17461-93001,3,4	REC17461-93004	CEF500398	15,00	70,00	12,50
DT9,9	1988-1997	17461-92D02	REC17461-92D02	CEF500319	12,20	42,00	20,00
DT14	1977-1980	17461-93001,3,4	REC17461-93004	CEF500398	15,00	70,00	12,50
DT15	1986-1997	17461-93901,2,3	REC17461-93903	CEF500329	13,20	42,00	22,00
DT16	1977-1982	17461-93001,2,3,4	REC17461-93004	CEF500398	15,00	70,00	12,50
DT20	1986-1988	17461-96301	REC17461-96312	CEF500362G	17,10	67,50	16,18
DT25	1977-1982	17461-93001,2,3,4	REC17461-93004	CEF500398	15,00	70,00	12,50
DT25	1983-1988	17461-96301	REC17461-96312	CEF500362G	17,10	67,50	16,18
DT25	1989-2000	17461-96400		CEF500399	17,20	67,00	16,16
DT28	1972-1982	17461-93002	REC17461-93004	CEF500398	15,00	70,00	12,50
DT30	1983-1985	17461-96301	REC17461-96312	CEF500362G	17,10	67,50	16,18
DT30	1989-2000	17461-96400		CEF500399	17,20	67,00	16,16
DT35	1987-1989	17461-96301	REC17461-96312	CEF500362G	17,10	67,50	16,18
DT40	1983	17461-95201		CEF500312	19,13	51,80	19,00
DT40	1984-1998	17461-96310	REC17461-96312	CEF500362G	17,10	67,50	16,18
DT50	1978-1984	17461-95501,95300	REC17461-95300	CEF500360	20,10	67,50	19,00
DT55	1985-1997	17461-94700,1	REC17461-94700	CEF500361	17,10	67,00	19,00
DT60	1983	17461-95200	REC17461-94700	CEF500361	17,10	67,00	19,00
DT60	1984	17451-96301	REC17461-96312	CEF500362G	17,10	67,50	16,18
DT65	1985-1997	17461-94701	REC17461-94700	CEF500361	17,10	67,00	19,00
DT75	1983-1997	17461-95501,95300,1,2	REC17461-95300	CEF500360	20,10	67,50	19,00
DT85	1983-2000	17461-95501,95300,1,2	REC17461-95300	CEF500360	20,10	67,50	19,00
DT90	1988++	17461-87E12	REC17461-87E12	CEF500365	22,20	78,30	35,10
DT100	1988++	17461-87E12	REC17461-87E12	CEF500365	22,20	78,30	35,10
DT115	1986-2001	17461-94510		CEF500367	24,30	86,00	31,70
DT140	1986-2001	17461-94510		CEF500367	24,30	86,00	31,70
DT150	1987-1996	17461-90J01		CEF500367	24,30	86,00	31,70
DT200	1998-2003	17461-90J00		CEF500367	24,30	86,00	31,70
DT225	1998-2003	17461-90J00		CEF500367	24,30	86,00	31,70



Modelo Model Modello	AÑO YEAR ANNO	R.O. OEM	Ref. RECMAR	Ref. CEF	Medidas / Measurements / Misure		
					A	B	C
DF2,5	2003+	17461-97110	REC17461-97110				
DF4	2003+	17461-98503	REC17461-98503	CEF500336	10,15	41,00	14,00
DF6	2003+	17461-98503	REC17461-98503	CEF500336	10,15	41,00	14,00
DF8	2010+	17461-93903	REC17461-93903	CEF500329	13,20	42,00	22,00
DF9,9	2004+	17461-93903	REC17461-93903	CEF500329	13,20	42,00	22,00
DF15	20004+	17461-93903	REC17461-93903	CEF500329	13,20	42,00	22,00
DF25	1999-2010	17461-96312	REC17461-96312	CEF500362G	17,10	67,50	16,18
DF30	1999-2007	17461-96312	REC17461-96312	CEF500362G	17,10	67,50	16,18
DF40	1999+	17461-96312	REC17461-96312	CEF500362G	17,10	67,50	16,18
DF50	1999+	17461-96312	REC17461-96312	CEF500362G	17,10	67,50	16,18
DF60	1998-2009	17461-87E10,11,12	REC17461-87E12	CEF500365	22,20	78,30	35,10
DF70	1998+	17461-87E10,11,12	REC17461-87E12	CEF500365	22,20	78,30	35,10
DF80	2010+	17461-87E10,11,12	REC17461-87E12	CEF500365	22,20	78,30	35,10
DF90	2010+	17461-87E10,11,12	REC17461-87E12	CEF500365	22,20	78,30	35,10
DF100	2001+	17461-90J01		CEF500367	24,30	86,00	31,70
DF115	2002+	17461-90J01		CEF500367	24,30	86,00	31,70
DF140	2002+	17461-90J01		CEF500367	24,30	86,00	31,70
DF150	2008+	17461-90J01		CEF500367	24,30	86,00	31,70
DF175	2007+	17461-90J01		CEF500367	24,30	86,00	31,70
DF200	2004+	17461-93J00		CEF500393	24,30	87,00	39,00
DF225	2004+	17461-93J00		CEF500393	24,30	87,00	39,00
DF250	2004+	17461-93J00		CEF500393	24,30	87,00	39,00
DF300	2007+	17461-93J00		CEF500393	24,30	87,00	39,00

COLAS LOWER UNIT PIEDI

CUERPOS BOMBA WATER PUMP HOUSING CORPO POMPA D'ACQUA

Ref. R.O.
REC17411-93901 17411-93901

MOTORES / ENGINES / MOTORI
DT9.9 / DT15 K1-K4 (2001-04)
DT9.9K / DT15K-G-Y (1986-00)



Ref. R.O.
REC17411-94421 17411-94421

MOTORES / ENGINES / MOTORI
DF40 / DF50X-K10 (1999-10)
DT20 / DT25 / DT30G-Y (1986-00)
DT25 / DT30 K1-K2 (2001-02)
DT40C-W-G-X (1986-99)
DT40W K1-K4 (2001-04)



KITS REPARACIÓN BOMBA AGUA WATER PUMP SERVICE KITS KIT RICAMBI POMPE ACQUA

Ref. R.O.
REC17400-95351 17400-95550, 17400-95350, 17400-95351

MOTORES / ENGINES / MOTORI
DT75 / DT85J-Y (1988-00)



Ref. R.O.
REC17400-94701 17400-94700, 17400-94701

MOTORES / ENGINES / MOTORI
DT55 / DT65J-X (1988-99)



Ref. R.O.
REC17400-96403 17400-96350, 17400-96403

MOTORES / ENGINES / MOTORI
DT20 / DT25 / DT30G-Y (1986-00)
DT40C-W-G-X (1986-99)
DT25C / DT30C-K-Y (1989-00)



Ref. R.O.
REC17400-93J01 17400-93J00, 17400-93J01

MOTORES / ENGINES / MOTORI
DF200 / DF225 / DF250 (2004-12)



Ref. R.O.
REC17400-98661 17400-98661

MOTORES / ENGINES / MOTORI
DF4 / DF5 / DF6 (2002-14)



Ref. R.O.
REC17400-98J01 17400-98J00, 17400-98J01

MOTORES / ENGINES / MOTORI
DF300AP (2012)
DF300T/Z (2007-11)



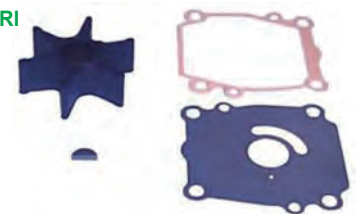
Ref. R.O.
REC17400-87D11 17400-87D10

MOTORES / ENGINES / MOTORI
V6H-Y (1987-00)
DT150 / DT200 / DT225W-K3 (1998-03)



Ref. R.O.
REC17400-87E04 17400-87E03

MOTORES / ENGINES / MOTORI
DT90 / DT100L-Y (1990-00)
DF60 / DF70W-K9 (1998-09)



Ref. R.O.
REC17400-92D01 17400-92D01, 17400-92D11

MOTORES / ENGINES / MOTORI
DT8C / DT9.9C-J-V (1988-97)



Ref. R.O.
REC17400-93951 17400-93950

MOTORES / ENGINES / MOTORI
DF9.9 / DF15T-K3 (1996-03)
DT9.9K / DT15K-G-Y (1986-00)
DT15C (1989-97)



Ref. R.O.
REC17400-94611 17400-94611

MOTORES / ENGINES / MOTORI
DT115 / DT140G-Y (1986-00)



Ref.	R.O.
REC17400-90J20	17400-90J11

MOTORES / ENGINES / MOTORI
DF90 / DF100 / DF115K1-K11 (2001-11)
DF140 (2002-11)

Ref.	R.O.
REC17400-98551	17400-98551

MOTORES / ENGINES / MOTORI
DT5 / DT6 / DT8G-Y (1986-00)
DT6 / DT8Y-K2 (2000-02)

Ref.	R.O.
REC17400-98652	17400-98652, 17400-98661

MOTORES / ENGINES / MOTORI
DT4 / J4 / DT5Y (1988-02)
DT4K1 (2001)

CHAVETA / KEY / CIAVETTA

Ref.	R.O.
REC09420-03005	09420-03005

MOTORES / ENGINES / MOTORI
DT8 (1988-97) DF8 (2008+)
DT9.9 (1983-97) DF9.9 (1983+)
DT15 (1983-88) DF15 (1983+)

Ref.	R.O.
REC17462-93990	17462-93990

MOTORES / ENGINES / MOTORI
DT9.9 (1983-87) DF9.9 (2004-10)
DT15 (1983-97) DF15 (2004-10)

TAPA IMPULSOR IMPELLER PLATE PIASTRA GIRANTE

Ref.	R.O.
REC17471-93902	17471-93902

MOTORES / ENGINES / MOTORI
DF9.9(R)T-K3 (1996-11)
DF15(R)-K3 (1996-12)
DT15C (1989-97)
DT9.9 / DT15K1-K4 (2001-04)
DT9.9K / DT15K-G-K4 (2001-04)
DT9.9K / DT15K-G-Y (1986-00)

Ref.	R.O.
REC17471-94401	17471-94401

MOTORES / ENGINES / MOTORI
DF25 / DF30Y-K6 (2000-06)
DF40 / DF50X-K10 (1999-10)
DF20 / DF25 / DF30G-Y (1986-00)
DF25C / DT30C-K-Y (1989-00)
DT40C-W-G-X (1986-99)
DT25 / DT30 K1-K2 (2001-02)
DT40W - K1-K4 (2001-04)

TAPA BOMBA WATER PUMP PLATE PIASTRA POMPA ACQUA

Ref.	R.O.
REC56130-94413-0EP	56130-94413-0EP

MOTORES / ENGINES / MOTORI
DF40 / DF50X-K10 (1999-10)
DF40W-K1-K4 (2001-04)

JUNTA BASE BOMBA CASE PANEL GASKET GUARNIZIONI BASE POMPA

Ref.	R.O.
REC17472-98J00	17472-98J00

MOTORES / ENGINES / MOTORI
DF200 / DF225 / DF250 (2004-15)
DF300AP-T/Z (2007-12)

JUNTA COLA DRIVE GASKET GUARNIZIONI PIEDI

Ref.	R.O.
REC17452-93910	17452-93910

MOTORES / ENGINES / MOTORI
DF9.9 / DF15T-K3 (1996-03)
DT15C (1989-97)
DT9.9K / DT15K-G-Y (1986-00)
DT9.9 / DT15 K1-K4 (2001-04)

Ref.	R.O.
REC17472-91J00	17472-91J00

MOTORES / ENGINES / MOTORI
DF4 / DF5 / DF6 (2002-14)

Ref.	R.O.
REC17472-93J00	17472-93J00

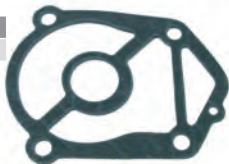
MOTORES / ENGINES / MOTORI
DF200 / DF225 / DF250 (2004+)
DF200A (2015)
DF150 / DF175T-Z (G) (2006-14)

Ref.	R.O.
REC17472-96303	17472-96301

MOTORES / ENGINES / MOTORI
DF20R / DF25R-V2 (2006-11)
DF40 / DF50X-K10 (1999-10)
DF40A / DF50A / DF60A (2010+)

Ref.	R.O.
REC17472-94510	17472-94510

MOTORES / ENGINES / MOTORI
DT115 / DT140G-Y (1986-00)



Ref.	R.O.
REC17472-95200	17472-95200

MOTORES / ENGINES / MOTORI
DT75 / DT85-J-Y (1988-00)



Ref.	R.O.
REC17472-95310	17472-95310

MOTORES / ENGINES / MOTORI
DT55 / DT65J-X (1988-99)



Ref.	R.O.
REC25142-94520	25142-94520

MOTORES / ENGINES / MOTORI
DT115 / DT140G-Y (1986-00)



Ref.	R.O.
REC17472-98503	17472-98503

MOTORES / ENGINES / MOTORI
DT5 / DF6 / DT8G-Y (1986-00)
DT6 / DT8Y-K2 (2000-02)



Ref.	R.O.
REC17472-93911	17472-93911

MOTORES / ENGINES / MOTORI
DF9.9 / DF15T-K3 (1996-03)
DT15C (1989-97)
DT9.9K / DT15K-G-Y (1986-00)
DT9.9 / DT15K1-K4 (2001-04)



Ref.	R.O.
REC17472-92D10	17472-92D10

MOTORES / ENGINES / MOTORI
DT8C / DT9.9C-J-V (1988-97)



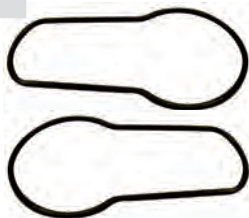
Ref.	R.O.
REC17472-98611	17472-98611

MOTORES / ENGINES / MOTORI
DT4 / J4 / DT5Y (1988-00)
DT4K1 (2001)
DT5Y (1998-02)



Ref.	R.O.
REC55122-94400	55122-88L00

MOTORES / ENGINES / MOTORI
DF40 / DF50X-K10 (1999-10)
DF40A / DF50A / DF60A (2010+)



KIT JUNTAS Y RETENES COLA LOWER UNIT SEAL KITS KIT GUARNIZIONI E TENUTE PIEDE

Ref.	R.O.
REC25700-95D01	25700-95D01, 25700-95D00

MOTORES / ENGINES / MOTORI
DF25 / DF30Y-K6 (2000-06)
DT25C / DT30C-K-Y (1989-00)



Ref.	R.O.
REC25700-88400	25700-94400, 27700-88400

MOTORES / ENGINES / MOTORI
DF40 / DF50X-K10 (1999-10)
DF40A / DF50A / DF60A (2010-13)



Ref.	R.O.
REC25700-94700	25700-94700

MOTORES / ENGINES / MOTORI
DT55 / DT65J-X (1988-99)



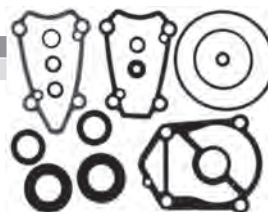
Ref.	R.O.
REC25700-95501	25700-95500

MOTORES / ENGINES / MOTORI
DT75 / DT85J-Y (1988-00)



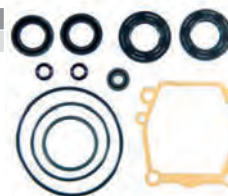
Ref.	R.O.
REC25700-94500	25700-94500

MOTORES / ENGINES / MOTORI
DT115 / DT140G-Y (1986-00)



Ref.	R.O.
REC25700-90J01	25700-90J01

MOTORES / ENGINES / MOTORI
DF90 / DF100 / DF115 K1-K11 (2001-11)
DF115WT / DF140WT-K3 (2003)



Ref.	R.O.
REC25700-92J00	25700-92J00

MOTORES / ENGINES / MOTORI
DF100A / DF115A / DF140A (2013+)
DF140 (2002-12)



Ref.	R.O.
REC25700-87D00	25700-87D00

MOTORES / ENGINES / MOTORI
DT150 / DT200 / DT225W-K3 (1998-03)
V6H-Y (1987-00)



SUZUKI

RECAMBIOS
MARINOS S.L.

Ref.	R.O.
REC25700-93J00	25700-93J00

MOTORES / ENGINES / MOTORI
 DF150 / DF175T/Z (G) (2006-14)
 DF200 / DF225 / DF250 (2004+)
 DF200A (2015)



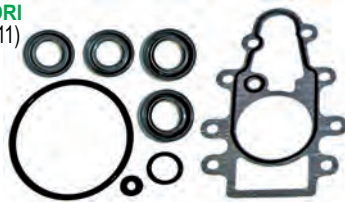
Ref.	R.O.
REC25700-99E00	25700-99E00

MOTORES / ENGINES / MOTORI
 DF40A / DF50A / DF60A (2014+)
 DF60 / DF70W-K9 (1998-09)



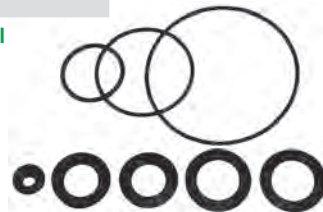
Ref.	R.O.
REC25700-95J00	25700-95J00

MOTORES / ENGINES / MOTORI
 DF20R / DF25 / DF25R-V2 (2006-11)



Ref.	R.O.
REC25700-98J00	25700-98J00

MOTORES / ENGINES / MOTORI
 DF300T/Z (2007-11)



GUÍA KITS RETENES SEAL KIT APPLICATION GUIDA KIT TENUTE

Modelo Model Modello	AÑO YEAR ANNO	Ref. R
DF20R/DF25/DF25R V2	2006-2011	REC25700-95J00
DT25C/DT30C-K-Y	1989-2000	REC25700-95D01
DF25/DF30Y-K6	2000-2006	REC25700-95D01
DF40/DF50X-K10	1999-2010	REC25700-88400
DF40A/DF50A/DF60A	2013+	REC25700-99E00
DF40A/DF50A/DF60A	2010-2012	REC25700-88400
DT55/DT65J-X	1988-1999	REC25700-94700
DF60/DF70W-K9	1998-2009	REC25700-99E00
DT75/DT85J-Y	1988-2000	REC25700-95501
DF90/DF100/DF115K1-K11	2001-2011	REC25700-90J01
DF100A/DF115A/DF140A	2013+	REC25700-92J00
DT115/DT140G-Y	1986-2000	REC25700-94500
DF115WT/DF140WT-K3	2003-2003	REC27500-90J01
DF140	2002-2012	REC27500-92J00
DF150/DF175T-Z(G)	2006-2014	REC25700-93J00
DT150/DT200/DT225W-K3	1998-2003	REC25700-87D00
DF200A	2015+	REC25700-93J00
DF200/DF225/DF250	2004+	REC25700-93J00
V6H-Y	1987-2000	REC25700-87D00
DF300T/Z	2007-2011	REC25700-98J00

ARANDELA PIÑÓN ATAQUE WASHER GEAR RONDELLA PIGNONE INNESTO

Ref.	R.O.
REC09160-26015	09160-26015

MOTORES / ENGINES / MOTORI
 DF40 / DF50X-K10 (1999-10)
 DF40C-W-G-X (1986-99)
 DF40W-K1-K4 (2001-04)

26.2 x 42 x 4.0 mm



Ref.	R.O.
REC09160-21009	09160-21009

MOTORES / ENGINES / MOTORI
 DF8A / DF8AR / DF9.9A / DF9.9AR (2010+)
 DF9.9 / DF15T-K3 (1996-03)
 DF15 (2012)
 DF9.9 / DF15(R) (2004-11)
 DF9.9B / DF15A / DF20A (2013)
 DT9.9K / DT15G-Y (1986-00)
 DT15C (1989-97)
 DT9.9 / DT15K1-K4 (2001-04)

21 x 35 x 2.75 mm



Ref.	R.O.
REC09160-20027	09160-20027

MOTORES / ENGINES / MOTORI
 DF9.9 (2004-10)
 DT/DF15 (1983-2015)
 DF20 (2011-2015)



GRUESO PIÑÓN ATAQUE SHIM GEAR SPESSORE PIGNONE INNESTO

Ref.	R.O.	T:1.0
REC09160-20041	09160-20041	T:1.0

MOTORES / ENGINES / MOTORI
 DT9.9 (1983-87)
 DT15 (1983-97)



Ref.	R.O.	T:1.1	T:1.2	T:0.7
REC09160-20042	09160-20042	T:1.1		
REC09160-20043	09160-20043		T:1.2	
REC09160-20044	09160-20044			T:0.7

MOTORES / ENGINES / MOTORI
 DF8A / DF8AR / DF9.9A / DF9.9AR (2010+)
 DF9.9 / DF15T-K3 (1996-03)
 DF15 (2012)
 DF9.9 / DF15(R) (2004-11)
 DF9.9B / DF15A / DF20A (2013)
 DT9.9K / DT15G-Y (1986-00)
 DT15C (1989-97)
 DT9.9 / DT15K1-K4 (2001-04)



TUERCA VARILLA CAMBIO TURNBUCKE, CATCH ROD DADO ASTA CAMBIO

Ref.	R.O.
REC23311-95DL0	

MOTORES / ENGINES / MOTORI
 DF25 / DF30Y-K6 (2000-06)
 DF40 / DF50X-K10 (1999-10)
 DF9.9 / DF15T-K3 (1996-03)
 DF9.9 / DF15 (R) (2004-11)
 DT9.9 / DT40



EXTREMO SELECTOR ARM, CLUTCH ROD SELETTORE

Ref. R.O.
REC23211-94401

MOTORES / ENGINES / MOTORI
DT25C / DT30C-K-Y (1989-00)
DT40C-W-G-X (1986-99)
DT40W-K1K4 (2001-04)



KIT CIERRE HÉLICES PROP NUT KITS KIT CHIUSURA ELICA

Ref. R.O.
REC57630-96300

MOTORES / ENGINES / MOTORI
DF20R / DF25 / DF25R V2 (2006-11)
DF25 / DF30Y-K6 (2000-06)
DT20 / DT25 / DT30G-Y (1986-00)
DT25 / DT30K1-K2 (2001-02)
DT25C / DT30C-K-Y (1989-00)



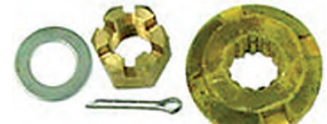
Ref. R.O.
REC57630-94500

MOTORES / ENGINES / MOTORI
DF40A / DF50A / DF60A (2014)
DF60 / DF70W-K9 (1998-09)
DT75 / DT85J-Y (1988-00)
DT90 / DT100L-Y (1990-00)
DT115 / DT140G-Y (1986-00)



Ref. R.O.
REC57630-94300 57630-94300

MOTORES / ENGINES / MOTORI
DF40 / DF50X-K10 (1999-10)
DF40A / DF50A / DF60A (2010-15)
DT40C-W-G-X (1986-99)
DT40W-K1-K4 (2001-04)
DT55 / DT65J-X (1988-99)



Ref. R.O.
REC57630-92E00 57630-92E00

MOTORES / ENGINES / MOTORI
DF150 / DF175Z-T(G) (2006-14)
DF200 / DF225 / DF250 (2004+)
DF200A (20015+)
DF300A-T-Z (2007-12)
DF150 / DT200 / DT225W-K3 (1998-03)
V6 H-Y (1987-00)



CASQUILLO BASCULANTE BUSH, SWIVEL TAPO GIREVOLE

Ref. R.O.
REC43211-87JL0 43211-87JL0

MOTORES / ENGINES / MOTORI
DF8 (2010+)
DF9.9 (2004+)
DF15 (2004+)
DF20 (2011+)



Ref. R.O.
REC43211-94401 43211-94401

MOTORES / ENGINES / MOTORI
DF15 (1989-97) DF9.9 (2006-10)
DT35 (1986-89) DF15 (2004-10)
DT40 (1986-98) DF25 (2000-07)
DF30 (2000-07)
DF40 (1999-10)
DF50 (1999-10)



GUÍA PIEZAS COLA STERN DRIVE COMPONENTS APPLICATIONS GUIDA RICAMBI PIEDE

MODELO MODEL MODELLO	DESDE FROM DELL' ANNO	HASTA TO ALL' ANNO	PIÑÓN ATAQUE GEAR PIGNONE INNESTO	PIÑÓN AVANTE GEAR FORWARD PIGNONE MARCIA AVANTI	PIÑÓN M. ATRÁS GEAR REVERSE PIGNONE MAR. INDIETRO	PIÑÓN M. ATRÁS GEAR REVERSE PIGNONE MAR. INDIETRO	EJE HÉLICE PROPELLER SHAFT ASSE ELICA	"L" EJE VERTICAL DRIVESHAFT ASSEMBLY ASSE VERT.	"S" EJE VERTICAL DRIVESHAFT ASSEMBLY ASSE VERT.	DIÁBOLO CARRIER INGRANAGGI
DT2	1986	2000	REC57311-98400							
DT2.2 K1-K5	2001	2005	REC57311-98400							
DT 9.9K DT15 K-G-Y	1986	2000	REC57311-93901	REC57510-93902	REC57521-93902		REC57610-93901	REC57100-93902	REC57100-93912	REC56120-93900-0ED
DT9.9 DT15 K1-K4	2001	2004	REC57311-93910	REC57510-93910	REC57521-93910		REC57610-93901	REC57100-93902	REC57100-93912	REC56120-93900-0ED
DF9.9 DF15T-K3	1996	2003	REC57311-93910	REC57510-93910	REC57521-93910		REC57610-93901	REC57100-93902	REC57100-93912	REC56120-93901-0EP
DF9.9 DF15 R	2004	2011	REC57311-93910	REC57510-93910	REC57521-93910		REC57610-93901	REC57100-93902	REC57100-93912	REC56120-93901-0EP
DT 15 C	1989	1997	REC57311-93901	REC57510-93902	REC57521-93902		REC57610-93901			REC56120-93900-0ED
DF 15	2012	2012					REC57610-93901	REC57100-93902	REC57100-93912	
DT20 DT25 DT30 G-Y	1986	2000	REC57311-96311	REC57510-89J00	REC57521-96312					
DT25 C DT30 C-K-Y	1989	2000	REC57311-96311	REC57510-89J00	REC57521-96312					
DT25 DT30 K1-K2	2001	2002	REC57311-96320	REC57510-89J00	REC57521-89J00					
DF25 DF30 Y-K6	2000	2006	REC57311-96320	REC57510-89J00	REC57521-89J00					
DT40C-W-G-X	1986	1999	REC57311-94402	REC57510-94402	REC57521-94400			REC57110-94441	REC57110-94411	
DT40W-K1-K4	2001	2004	REC57311-94402	REC57510-94402	REC57521-94400			REC57110-94441	REC57110-94411	
DF40 DF50X-K10	1999	2010				REC57621-94403				

GUÍA MANTENIMIENTO MAINTENANCE GUIDE GUIDA DI MANUTENZIONE

Modelo Model Modello	DESCRIPCIÓN	DESCRIPTION	DESCRIZIONE	Unidades Units Unità	Ref.
DF4 DF5 DF6	BUJÍA	SPARK PLUG	CANDELE	1	NGKBPR6ES
	ÁNODO	ANODE DRIVE	ANODO	1	CM55321-87J00
	IMPULSOR	IMPELLER	GIRANTE	1	REC17461-98503
	FILTRO COMBUSTIBLE	FUEL FILTER	FILTRO BENZINA	1	REC15410-98500
DF8A DF9.9A	BUJÍA	SPARK PLUG	CANDELE	2	NGKCR6E
	ÁNODO BLOQUE	ANODE ENGINE	ANODO MOTORE	1	CM55321-87J00
	IMPULSOR	IMPELLER	GIRANTE	1	REC17461-93903
	FILTRO COMBUSTIBLE	FUEL FILTER	FILTRO BENZINA	1	REC15410-98500
	FILTRO ACEITE	OIL FILTER	FILTRO OLIO	1	REC16510-05240
DF15A DF20A	BUJÍA	SPARK PLUG	CANDELE	2	NGKCP6EA-9
	BUJÍA	SPARK PLUG	CANDELE	1	REC17461-93903
	ÁNODO BLOQUE	ANODE ENGINE	ANODO MOTORE	2	CM55321-87J00
	FILTRO ACEITE	OIL FILTER	FILTRO OLIO	1	REC16510-05240
DF25	BUJÍA	SPARK PLUG	CANDELE	2	NGKBKR6E
	ÁNODO BLOQUE	ANODE ENGINE	ANODO MOTORE	4	CM55321-87J00
	ÁNODO COLA	ANODE DRIVE	ANODO PIEDE	1	CM55125-96310
	IMPULSOR	IMPELLER	GIRANTE	1	REC17461-96312
	FILTRO COMBUSTIBLE	FUEL FILTER	FILTRO BENZINA	1	REC15410-87J30
	FILTRO ACEITE	OIL FILTER	FILTRO OLIO	1	REC16510-87J00
DF40 DF50	BUJÍA	SPARK PLUG	CANDELE	3	NGKDCPR6E
	ÁNODO BLOQUE	ANODE ENGINE	ANODO MOTORE	5	CM55321-87J00
	ÁNODO COLA	ANODE DRIVE	ANODO PIEDE	1	CM55125-95500
	ZINC TRANSOM	ANODE TRANSOM	ANODO ZINCO TRANSOM	2	TEN01204
	IMPULSOR	IMPELLER	GIRANTE	1	REC17461-96312
	FILTRO COMBUSTIBLE	FUEL FILTER	FILTRO BENZINA	1	REC15410-87J30
	FILTRO COMUSTIBLE ALTA	FUEL FILTER HIGH	FILTRO BENZINA ALTA	1	REC15410-87J00
	FILTRO ACEITE	OIL FILTER	FILTRO OLIO	1	REC16510-87J00
DF40A DF50A	BUJÍA	SPARK PLUG	CANDELE	3	NGKDCPR6E
	ÁNODO BLOQUE	ANODE ENGINE	ANODO MOTORE	5	CM55321-87J00
	ÁNODO COLA	ANODE DRIVE	ANODO PIEDE	1	CM55300-95500
	ZINC TIMÓN	TRIM TAB ANODE	ANOD ZINCO TRIM TAB	1	TEN01207
	ZINC TRANSOM	ANODE TRANSOM	ANODO ZINCO TRANSOM	1	TEN01214
	IMPULSOR	IMPELLER	GIRANTE	1	REC17461-96312
	FILTRO ACEITE	OIL FILTER	FILTRO OLIO	1	REC16510-87J00
DF60 DF70	BUJÍA	SPARK PLUG	CANDELE	4	NGKBPR6ES
	ÁNODO BLOQUE	ANODE ENGINE	ANODO MOTORE	2	CM55321-87J00
	ÁNODO COLA	ANODE DRIVE	ANODO PIEDE	1	CM55321-90J01
	ZINC TRANSOM	ANODE TRANSOM	ANODO ZINCO TRANSOM	1	TEN01214
	ZINC CAÑA	ANODE HOUSING	ANODO ZINCO CORPO	1	TEN01204
	IMPULSOR	IMPELLER	GIRANTE	1	REC17461-87E12
	FILTRO COMBUSTIBLE	FUEL FILTER	FILTRO BENZINA	1	REC15410-87J30
	FILTRO ACEITE	OIL FILTER	FILTRO OLIO	1	REC16510-87J00
DF60A	BUJÍA	SPARK PLUG	CANDELE	3	NGKDCPR6E
	ÁNODO COLA	ANODE DRIVE	ANODO PIEDE	1	CM55125-95500
	ZINC TRANSOM	ANODE TRANSOM	ANODO ZINCO TRANSOM	1	TEN01214
	ZINC CAÑA	ANODE HOUSING	ANODO ZINCO CORPO	1	CM55300-95500
	IMPULSOR	IMPELLER	GIRANTE	1	REC17461-96312
	FILTRO COMBUSTIBLE	FUEL FILTER	FILTRO BENZINA	1	REC15410-87L00
FILTRO ACEITE	OIL FILTER	FILTRO OLIO	1	REC16510-87L00	

Modelo Model Modello	DESCRIPCIÓN	DESCRIPTION	DESCRIZIONE	Unidades Units Unità	Ref.
DF70A DF80A DF90A	BUJÍA	SPARK PLUG	CANDELE	4	NGKDCPR6E
	ÁNODO COLA	ANODE DRIVE	ANODO PIEDE	1	CM55321-90J01
	ZINC TRANSOM	ANODE TRANSOM	ANODO ZINCO TRANSOM	1	TEN01214
	ÁNODO BLOQUE	ANODE ENGINE	ANODO MOTORE	4	CM55321-87J00
	IMPULSOR	IMPELLER	GIRANTE	1	REC17461-87E12
	FILTRO ACEITE	OIL FILTER	FILTRO OLIO	1	REC16510-90J00
DF90 DF100 DF115	BUJÍA	SPARK PLUG	CANDELE	4	NGKBKR6E
	ÁNODO COLA	ANODE DRIVE	ANODO PIEDE	1	CM55321-90J01
	ZINC TRANSOM	ANODE TRANSOM	ANODO ZINCO TRANSOM	1	TEN01214
	ÁNODO BLOQUE	ANODE ENGINE	ANODO MOTORE	4	CM55321-87J00
	IMPULSOR	IMPELLER	GIRANTE	1	REC17461-90J01
	FILTRO COMBUSTIBLE	FUEL FILTER	FILTRO BENZINA	1	REC15410-97J30
	FILTRO ACEITE	OIL FILTER	FILTRO OLIO	1	REC16510-90J00
DF140	BUJÍA	SPARK PLUG	CANDELE	4	NGKBKR6E
	ÁNODO COLA	ANODE DRIVE	ANODO PIEDE	1	CM55321-90J01
	ZINC TRANSOM	ANODE TRANSOM	ANODO ZINCO TRANSOM	1	TEN01214
	ÁNODO BLOQUE	ANODE ENGINE	ANODO MOTORE	4	CM55321-87J00
	IMPULSOR	IMPELLER	GIRANTE	1	REC17461-90J01
	FILTRO COMBUSTIBLE	FUEL FILTER	FILTRO BENZINA	1	REC15410-87J30
	FILTRO ACEITE	OIL FILTER	FILTRO OLIO	1	REC16510-92J00
DF100A DF115A DF140A	BUJÍA	SPARK PLUG	CANDELE	4	NGKBKR6E
	ÁNODO COLA	ANODE DRIVE	ANODO PIEDE	1	CM55321-90J01
	ZINC TRANSOM	ANODE TRANSOM	ANODO ZINCO TRANSOM	1	TEN01214
	ÁNODO BLOQUE	ANODE ENGINE	ANODO MOTORE	7	CM55321-87J00
	IMPULSOR	IMPELLER	GIRANTE	1	REC17461-90J01
	FILTRO ACEITE	OIL FILTER	FILTRO OLIO	1	REC16510-93J00
DF150 DF175	BUJÍA	SPARK PLUG	CANDELE	4	NGKBKR6E
	ÁNODO COLA	ANODE DRIVE	ANODO PIEDE	2	TEN01204
	ZINC TRANSOM	ANODE TRANSOM	ANODO ZINCO TRANSOM	1	TEN01214
	ÁNODO BLOQUE	ANODE ENGINE	ANODO MOTORE	5	CM55321-87J00
	IMPULSOR	IMPELLER	GIRANTE	1	REC17461-90J01
	FILTRO COMBUSTIBLE	FUEL FILTER	FILTRO BENZINA	1	REC15410-96J00
	FILTRO ACEITE	OIL FILTER	FILTRO OLIO	1	REC16510-96J00
DF200 DF225 DF250	BUJÍA	SPARK PLUG	CANDELE	6	NGKBKR6E
	ÁNODO COLA	ANODE DRIVE	ANODO PIEDE	3	TEN01204
	ZINC TRANSOM	ANODE TRANSOM	ANODO ZINCO TRANSOM	1	TEN01214
	ÁNODO BLOQUE	ANODE ENGINE	ANODO MOTORE	7	CM55321-87J00
	IMPULSOR	IMPELLER	GIRANTE	1	REC17461-93J00
	FILTRO COMBUSTIBLE	FUEL FILTER	FILTRO BENZINA	1	REC65L-24563-00
	FILTRO ACEITE	OIL FILTER	FILTRO OLIO	1	REC16510-96J00
DF300	BUJÍA	SPARK PLUG	CANDELE	6	NGKBKR6E
	ÁNODO COLA	ANODE DRIVE	ANODO PIEDE	2	TEN01204
	ZINC TRANSOM	ANODE TRANSOM	ANODO ZINCO TRANSOM	1	TEN01214
	ÁNODO BLOQUE	ANODE ENGINE	ANODO MOTORE	6	CM55321-87J00
	IMPULSOR	IMPELLER	GIRANTE	1	REC17461-93J00
	FILTRO COMBUSTIBLE	FUEL FILTER	FILTRO BENZINA	1	REC65L-24563-00
	FILTRO ACEITE	OIL FILTER	FILTRO OLIO	1	REC16510-96J00

GUÍA DE HÉLICES ALUMINO E INOXIDABLES DE 3 Y 4 PALAS
3 & 4 BLADE ALUMINUM & STAINLESS STEEL PROPELLERS APPLICATION
GUIDA ELICHE ALLUMINIO E INOX DA 3 E 4 PALE

HP	R.O. OEM	B	D	P	R	TIPO TYPE	ALUMINIO ALUMINIUM ALLUMINIUM		INOX STAINLESS STEEL		
							AMITA 3	AMITA 4	NEW SATURN	LEXOR	HR TITAN 3
DF4, DF5, DF6 (2004+)		3	8	7	R	ALUM.	SOL4011-079-07S				
10 Estrías / tooth spline / denti											
DT9.9 / DT15 (1983-97)		3	9.25	7	R	ALUM.	SOL4111-093-07A				
DF8 (2010+)		3	9.25	8	R	ALUM.	SOL4111-093-08A				
DF9.9 / DF15 (1996+)		3	9.25	9	R	ALUM.	SOL4111-093-09A				
DF20 (2013+)		3	9.25	10	R	ALUM.	SOL4111-093-10A				
10 Estrías / tooth spline / denti		3	9.25	11	R	ALUM.	SOL4111-093-11A				
		3	9.25	12	R	ALUM.	SOL4111-093-12A				
DT20, 25, 25C	58100-96410-019	3	10 1/4	10	R	ALUM.	SOL4211-110-09				
DT30, 30C	58100-96420-019	3	10 1/4	11	R	ALUM.	SOL4211-105-11				
DF25, 30	58100-96430-019	3	10 1/4	12	R	ALUM.	SOL4211-103-12				
	58100-96440-019	3	10 1/4	13	R	ALUM.	SOL4211-101-13				
Thru-Hub	58100-95D00-019	3	10 1/4	14	R	ALUM.	SOL4211-100-14				
10 Estrías / tooth spline / denti	58100-96460-019	3	10 1/4	15	R	ALUM.	SOL4211-100-15				
DT35, DT40, DT50,	58100-94302-019	3	11 1/2	9	R	ALUM.	SOL4311-121-09				
DT55, DT60, DT65	58100-95212-019	3	11 1/2	10	R	ALUM.	SOL4311-120-10				
DF40, DF50, DF60	58100-95222-019	3	11 1/2	11	R	ALUM.	SOL4311-118-11				
(2010+)	58100-95393-019	3	11 5/8	12	R	ALUM.	SOL4311-116-12				
13 Estrías / tooth spline / denti	58100-94313-019	3	11 1/2	13	R	ALUM.	SOL4311-116-13				
	58100-95353-019	3	11 3/8	14	R	ALUM.	SOL4311-116-14				
	58100-95363-019	3	11	15	R	ALUM.	SOL4311-110-15				
DT75, DT85, DT90		3	14	11	R	ALUM.	SOL4411-140-11				
DT100, DT115, DT140		3	13 3/4	13	R	ALUM.	SOL4411-138-13	SOL4413-133-13			
DF60, DF70 (1998-08)	58100-94500-019	3	13 1/2	15	R	V1500	SOL4411-135-15	SOL4413-130-15	SOL4431-135-15		
Thru-hub	58100-94512-019	3	13 1/4	17	R	V1700	SOL4411-133-17	SOL4413-128-17	SOL4431-133-17		
13 Estrías / tooth spline / denti	58100-94522-019	3	13	19	R	V1900	SOL4411-130-19	SOL4413-125-19	SOL4431-130-19		
	58100-94532-019	3	13	21	R	V2100	SOL4411-130-21	SOL4413-125-21	SOL4431-130-21		
	58100-95511-019	3	13 1/4	17	R	U1700			SOL2431-135-15		
	58100-95521-019	3	13	19	R	U1900			SOL2431-133-17		
	58100-95530-019	3	13	21	R	U2100			SOL2431-130-19		
DF60, DF70, DT75-140	58100-94554-019	3	13 1/2	15	R	S.S.			SOL4431-135-15		
Arandela 13 dientes	58100-94581-019	3	13 1/4	17	R	S.S.			SOL4431-133-17		
13 tooth spline Trhust Washer	58100-94561-019	3	13	19	R	S.S.			SOL4431-130-19		
Rondella 13 denti	58100-94571-019	3	13	21	R	S.S.			SOL4431-130-21		
	99105-00100-16P	3	13 1/4	16	R	S.S.			SOL4431-135-15		
	99105-00100-18P	3	13 1/4	18	R	S.S.			SOL4431-133-17		
	99105-00100-20P	3	13 1/4	20	R	S.S.			SOL4431-130-19		
DF70A, DF80A, DF90A	99105-00100-22P	3	13 1/4	22	R	S.S.			SOL4431-130-21		
DF90, DF115, DF140		3	13 1/4	22	R	S.S.			SOL4431-130-21		
Arandela 15 dientes											
15 tooth spline Trhust Washer											
Rondella 15 denti											
DF70A, DF80A, DF90A	58100-90J40-019	3	15	15	R	ALUM.	SOL3411-139-17	SOL3413-138-15			
DF90, DF115, DF140	58100-90J00-019	3	14 3/4	17	R	ALUM.	SOL3411-139-19	SOL3413-138-17			SOL3451-139-17
	58100-90J10-019	3	14 1/2	19	R	ALUM.	SOL3411-139-21	SOL3413-138-19			SOL3451-139-19
	58100-90J20-019	3	14 1/4	21	R	ALUM.	SOL3411-139-21	SOL3413-138-21			SOL3451-139-21
	58100-90J22-019	3	14	23	R	ALUM.					SOL3451-139-23
4 Tiempos 13 Estrías	99105-00700-18P	3		18	R	S.S.					SOL3451-139-17
4 Stroke 13 tooth spline	99105-0070L-18P	3		18	L	S.S.					SOL3452-139-17
4 Tempi 13 denti	99105-00700-20P	3		20	R	S.S.					SOL3451-139-19
	99105-0070L-20P	3		2	L	S.S.					SOL3452-139-19
	99105-00700-22P	3		22	R	S.S.					SOL3451-139-21
Thru-hub	99105-0070L-22P	3		22	L	S.S.					SOL3452-139-21
	99105-00700-24P	3		24	R	S.S.					SOL3451-139-23
DT150, DT175, DT200	58200-87D61-019	3	14 1/2	16	R	S.S.		SOL4513-148-15			SOL4551-148-16
DT225	58200-87D62-019	3	14 1/2	16	L	S.S.					SOL4552-148-16
	58200-87D01-019	3	14 1/2	18	R	S.S.		SOL4513-145-17			SOL4551-148-18
	58200-87D02-019	3	14 1/2	18	L	S.S.					SOL4552-148-18
	58200-87D11-019	3	14 1/2	20	R	S.S.		SOL4513-143-19			SOL4551-148-20
	58200-87D12-019	3	14 1/2	20	L	S.S.					SOL4552-148-20
	58200-87D21-019	3	14 1/2	22	R	S.S.		SOL4513-140-21			SOL4551-143-22
	58200-87D22-019	3	14 1/2	22	L	S.S.					SOL4552-143-22
15 Estrías / tooth spline / denti	99105-00200-16P	3	15-14 1/4	15-16	R	S.S.	SOL4511-150-15				SOL4551-148-16
	99105-0020L-16P	3	15-14 1/4	15-16	L	S.S.	SOL4512-150-15				SOL4552-148-16
	99105-00200-18P	3	14.8-14 1/4	18	R	S.S.	SOL4511-148-17				SOL4551-148-18
	99105-0020L-18P	3	14.8-14 1/4	18	L	S.S.	SOL4512-148-17				SOL4552-148-18
	99105-00200-20P	3	14.5-14 1/4	20	R	S.S.	SOL4511-145-19				SOL4551-148-20
	99105-0020L-20P	3	14.5-14 1/4	20	L	S.S.	SOL4512-145-19				SOL4552-148-20
	99105-00200-22P	3	14.3-14 1/4	22	R	S.S.	SOL4511-143-21				SOL4551-143-22
	99105-0020L-22P	3	14.3-14 1/4	22	L	S.S.	SOL4512-143-21				SOL4552-143-22
	99105-00200-24P	3	14.2-14 1/4	23-24	R	S.S.	SOL4511-142-23				SOL4551-140-24
	99105-0020L-24P	3	14.2-14 1/4	23-24	L	S.S.	SOL4512-142-23				SOL4552-140-24

HP	R.O. OEM	B	D	P	R	TIPO TYPE	ALUMINIO ALUMINIUM ALLUMINIUM		INOX STAINLESS STEEL		
							AMITA 3	AMITA 4	NEW SATURN	LEXOR	HR TITAN 3
DF150, DF175, DF200, DF225, DF250, DF300 15 Estrias / tooth spline / denti		3	15.8	15	R	ALUM.	SOL4511-150-15				
		3	15.8	15	L	ALUM.	SOL4512-158-15				
		3	15.5	17	R	ALUM.	SOL4511-155-17				
		3	15.5	17	L	ALUM.	SOL4512-155-17				
		3	15 3/8	18	R	ALUM.				SOL4571-154-18	
		3	15 3/8	18	L	ALUM.				SOL4572-154-18	
		3	15.3	19	R	ALUM.	SOL4511-153-19				
		3	15.3	19	L	ALUM.	SOL4512-153-19				
		3	15 1/8	20	R	ALUM.				SOL4571-151-20	
		3	15 1/8	20	L	ALUM.				SOL4572-151-20	
		3	15.3	21	R	ALUM.	SOL4511-153-21				
		3	15.3	21	L	ALUM.	SOL4512-153-21				
		3	14 7/8	22	R	ALUM.				SOL4571-149-22	
		3	14 7/8	22	L	ALUM.				SOL4572-149-22	
		3	14 3/4	23	R	ALUM.				SOL4571-148-23	
	3	14 3/4	23	L	ALUM.				SOL4572-148-23		

B= PALAS / Blades / Pale
D= DIÁMETRO / Diametre / Diametro

R=ROTACIÓN / Rotation / Rotazione
(R) Derecha / Right / DX,

(L) Izquierda / Left / SX

HÉLICES ALUMINO E INOXIDABLES DE 3 Y 4 PALAS 3 & 4 BLADE ALUMINUM & STAINLESS STEEL PROPELLERS ELICHE ALLUMINIO E INOX DA 3 E 4 PALE

 **SOLAS**

AMITA 3

- Helices de aluminio de 3 palas con núcleo de goma de gran resistencia.
- 3 blade aluminum propeller with heavy duty rubber hub.
- Eliche di alluminio a 3 pale con mozzi in gomma ad alta resistenza.



 **SOLAS**

LEXOR PROPELLER

- Helices de acero inoxidable de 3 palas.
- Gran diámetro del área de las palas para barcos pesados.
- Gran rendimiento en alta velocidad sin sacrificar las velocidades medias.
- Excelente ahorro de combustible.
- Three blade stainless steel propeller.
- Large diameter and blade area for big boat loads.
- Great high speed performance without sacrificing mid-range speeds.
- Excellent fuel economy.
- Eliche di acciaio inox a 3 pale.
- Grande diametro delle pale per imbarcazioni pesanti.
- Grandi prestazioni ad alta velocità senza sacrificare velocità medie.
- Eccellente risparmio di carburante in navi al largo..

 **SOLAS**

AMITA 4

- Helices de aluminio de 4 palas con núcleo de goma de gran resistencia.
- Van muy suaves a poca velocidad y hace el barco muy manejable con la mar picada.
- 4 Blade aluminum propeller with heavy duty rubber hub.
- Smoother low speed makes the offshore boating activity much easier.
- Eliche di alluminio a 4 pale con mozzo in gomma ad alta resistenza.
- Molto morbida a bassa velocità e rende la barca molto maneggevole con mare cattivo.



 **SOLAS**

NEW SATURN PROP

- Helices de acero inoxidable de 3 palas.
- Ofrece buena aceleración y rendimiento.
- Tamaño más pequeño que ofrece un diámetro extragrande.
- Three blade stainless steel propeller.
- Offers good acceleration & all-round performance.
- Smaller pitch sizes offered in extra large diameter with increased blade area.
- Eliche di acciaio inox a 3 pale.
- Buona accelerazione.
- Piccole dimensione che offre un più grande diametro.

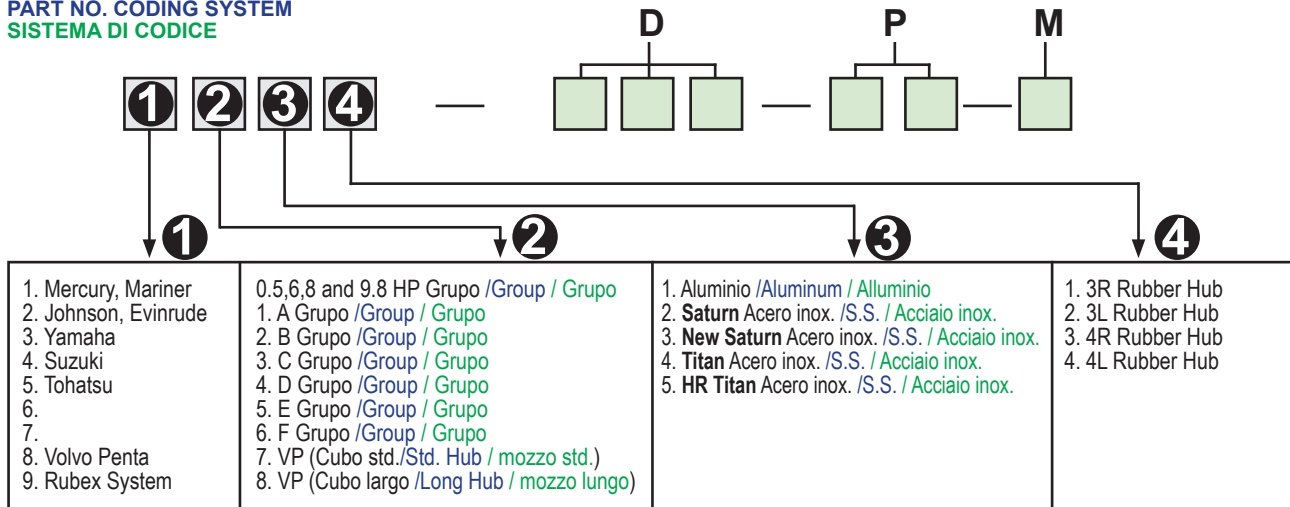


SUZUKI

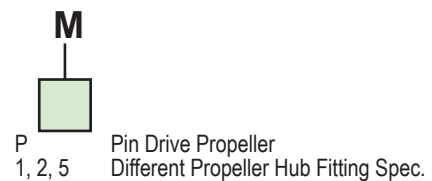
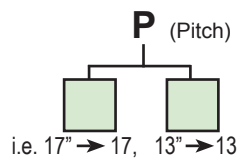
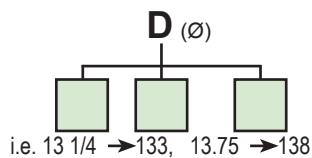
RECAMBIOS
MARINOS S.L.

HÉLICES ALUMINO E INOXIDABLES DE 3 Y 4 PALAS 3 & 4 BLADE ALUMINUM & STAINLESS STEEL PROPELLERS ELICHE ALLUMINIO E INOX DA 3 E 4 PALE

SISTEMA CODIGO REFERENCIAS
PART NO. CODING SYSTEM
SISTEMA DI CODICE



Ejemplo / Note / Esempio



GUÍA DE NÚCLEOS HUB KIT APLICACION CHAST GUIDA MOZZI INTERCambiabili



RUBEX

MODELO MODEL MODELLO	REF. KIT	MODELO HÉLICE PROPELLER TYPE MODELLO ELICA
DT50, 50M (1983-84) DT55 (1985-97) DT60 (1983-84) DT65 (1985-97) 13 Estrias / tooth spline / Scalanature	RBX-115	C
DF70A, DF80A, DF90A (4T/ strokes) (2009+) 15 Estrias / tooth spline / Scalanature	RBX-150	D
DF90, DF115 (4T/ strokes) (2001+) 15 Estrias / tooth spline / Scalanature	RBX-125	D
DF140 (4T/ strokes) (2001+) 15 Estrias / tooth spline / Scalanature	RBX-126	D
75-140 HP DF60/ DF70 (1979+) 13 Estrias / tooth spline / Scalanature	RBX-110	D
DT150-225 HP (2T/ strokes) (1986+) DF150-300 HP 15 Estrias / tooth spline / Scalanature	RBX-104	E

GUÍA HÉLICES ALUMINIO PROPELLERS ALUMINUM CHART GUIDA ELICHE ALLUMINIO

Modelo / Model / Modello C 30-75 H.P. 3 PALAS / 3 BLADE / 3 PALE				
B	D	P	R	Ref.
3	12.1	9	R	SOL9311-121-09
3	12	10	R	SOL9311-120-10
3	11.6	11	R	SOL9311-116-11
3	11.4	12	R	SOL9311-114-12
3	11.1	13	R	SOL9311-111-13
3	11.1	14	R	SOL9311-111-14
3	11	15	R	SOL9311-110-15

Modelo / Model / Modello D 40-14 H.P. 3 PALAS / 3 BLADE / 3 PALE				
B	D	P	R	Ref.
3	14	9	R	SOL9411-140-09
3	14	11	R	SOL9411-140-11
3	13.75	13	R	SOL9411-138-12
3	13.5	15	R	SOL9411-135-15
3	13.25	17	R	SOL9411-133-17
3	13.2	19	R	SOL9411-132-19
3	13.2	21	R	SOL9411-132-21

Modelo / Model / Modello E 135-350 H.P. 3 PALAS / 3 BLADE / 3 PALE				
B	D	P	R	Ref.
3	15.5	11	R	SOL9511-155-11
3	15.3	13	R	SOL9511-153-13
3	16	13	R	SOL9511-160-13
3	15	15	R	SOL9511-150-15
3	15	15	L	SOL9511-150-15
3	14.8	17	R	SOL9511-148-17
3	14.8	17	L	SOL9511-148-17
3	14.5	19	R	SOL9511-145-19
3	14.5	19	L	SOL9511-145-19
3	14.3	21	R	SOL9511-143-21
3	14.3	21	L	SOL9511-143-21

RUBEX

Helice de aluminio con núcleo intercambiable (no incluido).
Aluminium interchangeable hub propellers (not included).
Eliche in alluminio con mozzo intercambiabile (non incluso).



GUÍA HÉLICES INOX. STAINLESS STEEL PROPELLERS APLICATION CHART GUIDA ELICHE INOX

Modelo / Model / Modello C 30-75 H.P. 3 PALAS / 3 BLADE / 3 PALE				
B	D	P	R	Ref.
3	11 5/8	11	R	SOL9331-116-11
3	11 3/8	12	R	SOL9331-114-12
3	11 1/8	13	R	SOL9331-111-13
3	11 1/8	14	R	SOL9331-111-14
3	11	15	R	SOL9331-110-15

Modelo / Model / Modello D 40-14 H.P. 3 PALAS / 3 BLADE / 3 PALE				
B	D	P	R	Ref.
3	13 3/4	13	R	SOL9431-138-13
3	13 3/4	13	L	SOL9432-138-13
3	13 1/2	15	R	SOL9431-135-15
3	13 1/2	15	L	SOL9432-135-15
3	13 1/4	17	R	SOL9431-133-17
3	13 1/4	17	L	SOL9432-133-17
3	13	19	R	SOL9431-130-19
3	13	19	L	SOL9432-130-19
3	13	21	R	SOL9431-130-21

Modelo / Model / Modello E 90-140 H.P. 3 PALAS / 3 BLADE / 3 PALE				
B	D	P	R	Ref.
3	14 1/2	15	R	SOL9531-145-15
3	14 1/2	15	L	SOL9532-145-15
3	14 1/4	17	R	SOL9531-143-17
3	14 1/4	17	L	SOL9532-143-17
3	14	19	R	SOL9531-140-19
3	14	19	L	SOL9532-140-19
3	14	21	R	SOL9531-140-21
3	14	21	L	SOL9532-140-21
3	14	23	R	SOL9531-140-23
3	14	23	L	SOL9532-140-23

Modelo / Model / Modello E 135-350 H.P. 3 PALAS / 3 BLADE / 3 PALE				
B	D	P	R	Ref.
3	15 3/4	15	R	SOL9571-158-15
3	15 3/4	15	L	SOL9572-158-15
3	15 1/2	17	R	SOL9571-155-17
3	15 1/2	17	L	SOL9572-155-17
3	15 1/4	19	R	SOL9571-153-19
3	15 1/4	19	L	SOL9572-153-19
3	15	21	R	SOL9571-153-21
3	15	21	L	SOL9572-153-21
3	14 3/4	23	R	SOL9571-148-23
3	14 3/4	23	L	SOL9572-148-23
3	14 1/2	25	R	SOL9571-145-25
3	14 1/2	25	L	SOL9572-145-25

RUBEX



Helice de acero inox. con núcleo intercambiable (no incluido).
Stainless steel interchangeable hub propellers (not included).
Eliche di acciaio inox con mozzo intercambiabile (non incluso).

ÍNDICE

SISTEMA ALIMENTACIÓN Y FILTRACIÓN	PÁG
BOMBAS DE COMBUSTIBLES MANUALES	294
BRACKETS	295-298
CONECTORES Y MANGUERAS COMBUSTIBLE	295-298
FILTROS DE COMBUSTIBLE	296-298
KIT DE CARBURADOR	306
JUNTAS ADMISIÓN	306-307
SISTEMA ELÉCTRICO	PÁG
DESCONECTADORES DE SEGURIDAD	303
MOTORES DE ARRANQUE	301
MOTORES DE TRIM Y POWER TRIM	301
REGULADORES Y RECTIFICADORES	302
ALTERNADOR	301
SENSOR DE OXÍGENO	302
SENSOR ÁRBOL DE LEVAS	302
SISTEMA DE ENCENDIDO	PÁG
BOBINAS	302
BUJIAS CHAMPION	304
BUJIAS NGK	303
SISTEMA DE REFRIGERACIÓN	PÁG
IMPULSORES	307
KIT REPARACIÓN BOMBA DE AGUA	309
JUNTAS DE COLA	310-311
KIT JUNTAS Y RETENES	309
TERMOSTATO	305-306
PARTES DE MOTOR	PÁG
JUNTAS BASE DE MOTOR	304
JUNTAS DE CULATA	304
JUNTAS ESCAPE	305
CORREAS DE DISTRIBUCIÓN	305
RETÉN DE VÁLVULAS	305
COLAS Y COMPONENTES	PÁG
ÁNODOS ZINC Y ALUMINIO	299-300
RETENES COLA	310
HÉLICES Y GUIA DE APLICACIÓN	312-315
FILTROS ACEITE	298
GUÍA FILTROS ACEITE	298
DESPIECE COLA	308
JUNTAS BOMBA AGUA	310
COMPONENTES TRANSMISIÓN	311

TABLE OF CONTENTS

FUEL & FILTRATION SYSTEM	PAGE
PRIMER FUEL PUMP	294
BRACKETS	295-298
HOSES & FUEL FITTINGS	295-298
FUEL FILTERS	296-298
CARBURETOR KIT	306
ADMISION GASKET	306-307
ELECTRIC SYSTEM	PAGE
CUT OFF SWITCHES	303
STARTERS	301
TRIM & POWER TRIM	301
REGULATOR & RECTIFIERS	302
ALTERNATOR	301
O2 SENSOR	302
SENSOR CRAMSHAFT	302
IGNITION SYSTEM	PAGE
COILS	302
CHAMPION SPARK PLUGS	304
NGK SPARK PLUGS	303
COOLING SYSTEM	PAGE
IMPELLERS	307
WATER PUMP SERVICE KITS	309
DRIVE GASKET	310-311
LOWER UNIT SEAL KITS	309
THERMOSTAT	305-306
ENGINE PARTS	PAGE
GASKET ENGINE HOLDER	304
GASKETS CYLINDER HEAD	304
EXHAUST GASKET	305
TIMMING BELTS	305
VALVE SEALS	305
UNIT DRIVES & COMPONENTS	PAGE
ZINC & ALUMINIUM ANODES	299-300
OIL SEALS	310
PROPELLERS & APLICATION GUIDE	312-315
OIL FILTER	298
OIL FILTER GUIDE	298
COMPLETE GEARCASE ASSEMBLY	308
WATER PUMP GASKET	310
GEAR COMPONENTS	311

INDICE

SISTEMA DI ALIMENTAZIONE E FILTRAZIONE	PAGINA
POMPE DI CARBURANTE MANUALE	294
BRACKETS	295-298
ATTACCO E TUBO BENZINA	295-298
FILTRI BENZINA	296-298
KIT CARBURATORE	306
GUANIZIONE ASPIRAZIONE	306-307
SISTEMA ELECTRICO	PAGINA
CHIAVETTA DI SICUREZZA	303
MOTORINI AVVIAMENTO	301
MOTORINI TRIM E TRIM POWER	301
REGOLATORI E RADRIZZATORI	302
ALTERNATORE	301
SENSORI OSSIGENO	302
SENSORE ALBERO	302
SISTEMA DI ACCENSIONE	PAGINA
BOBINE	302
CANDELE CHAMPION	304
CANDELE NGK	303
SISTEMA DI RAFFREDDAMENTO	PAGINA
GIRANTE	307
KIT RICAMBI POMPA ACQUA	309
GUARNIZIONI PIEDI	310-311
KIT GUARNIZIONE E PARAOLIO PIEDE	309
TERMOSTATO	305-306
PARTI DEL MOTORE	PAGINA
GUARNIZIONI BASE MOTORI	304
GUARNIZIONE TESTATA	304
GUANIZIONE SCARICO	305
CINGHIE DISTRIBUZIONE	305
TENUTE	305
PIEDI E COMPONENTI	PAGINA
ANODI ZINCO E ALLUMINIO	299-300
PARAOLIO	310
ELICHE E GUIDA APPLICAZIONE	312-315
FILTRI OLIO	298
GUIDA FILTRI OLIO	298
ESPLOSO PIEDE	308
GUARNIZIONE POMPA ACQUA	310
COMPONENTE TRASMISSIONE	311

CONECTORES COMBUSTIBLE FUEL FITTINGS ATTACCHI BENZINA

BOMBA DE COMBUSTIBLE PRIMER BULB POMPETTA BENZINA

Ref.	Manguera Hose Tubo	Envase Pack Qnt
GS31090	5/16"	1 x blister
GS31095	3/8"	1 x blister
GS31187	1/4"	1 x blister
GS31098	8 mm	1 x bolsa / bag / borsa

GOLDENSHIP



Universal / Universale

Ref.	Manguera Hose Tubo	Envase Pack Qnt
GS31098	8 mm	1 x bolsa / bag / borsa
CEF500621	8 mm	1 x bolsa / bag / borsa

Fabricada con elastómeros termoplásticos inyectados, resistentes al alcohol y rayos UV.

Premium quality bulb resistance to alcohol as well as UV and ozone.

Fabbricata con elastomers termoplastico, resistente ai solventi e ai raggi UV.

GOLDENSHIP

gef



GS31098



CEF500621

Ref.	R.O. OEM	Manguera Hose Tubo	Envase (x bolsa) Pack (x bag) Qnt (x borsa)
GS31188		3/8"	1

GOLDENSHIP



BOMBA DE GASOLINA P3

Fabricada en Acetal rígido inyectado, resistente al alcohol y rayos UV.

PRIMER BULB P3

Premium quality bulb resistance to alcohol as well as UV and ozone.

POMBA BENZINA P3

Fabbricata in plastica rígida, resistente ai solventi e ai raggi UV.

LÍNEA DE COMBUSTIBLE FUEL LINE ASSEMBLY TUBO CARBURANTE

Ref.	R.O. OEM	Manguera Hose Tubo	Envase (x bolsa) Pack (x bag) Qnt (x borsa)
GS31189		3/8"	1

GOLDENSHIP



Bomba P3.

Con 2 m de manguera resistente al alcohol.

Primer P3. With 2 m alcohol resistant hose.

Pompa P3 con 2 m di tubo resistente ai solventi.

Ref.	R.O. OEM	Manguera Hose Tubo	Envase (x bolsa) Pack (x bag) Qnt (x borsa)
GS31096		5/16"	1
GS31097		3/8"	1
GS31099		8 mm	1
SIE-18-8013		5/16"	1
SIE-18-8015		3/8"	1
CEF500600		8 mm	1

Universal. Con 2 m de manguera resistente al alcohol.

Universal. With 2 m alcohol resistant hose.

Universale con 2 m di tubo resistente ai solventi.

GOLDENSHIP



GS31096 - GS31097



GOLDENSHIP

GS31099



GOLDENSHIP

SIE-18-8013, SIE-18-8015



gef
CEF500600

MANGUERA DE COMBUSTIBLE FUEL HOSE TUBO BENZINA

Ref.	Ø Int	Largo Length Long	Envase Pack Qn
TRI305-0566	5/16" = 7,92 mm.	15 m	Caja / Box / Cassa
TRI305-0386	3/8" = 9,53 mm.	15 m.	Caja / Box / Cassa



Manguera «Trident» para líneas de combustible. Con refuerzo termoplástico que le permite excelente flexibilidad y resistencia a los rayos UV. Color gris. Resistente al alcohol. **Especialmente indicado para motores fueraborda.** Cumple las normas: SAEJ1527, ISO-8469 Tipo B1 y Certificación CE. Garantía: 3 años

Marine fuel hose (distribution and vent) for outboards. Fuel resistant thermo-plastic formulation with 2 spiral reinforcement provides excellent bendability and resistance to UV, aging and permeation by all marine fuels (gasoline/petrol and diesel) including alcohol blends. Meets or exceeds: SAEJ1527, ISO-8469 Tipo B1 & Certification CE. Warranty: 3 years

Tubo «Trident» per línea combustibile. Con rinforzo termoplastico che gli permette un'eccellente flessibilità e resistenza ai raggi UV. Colore grigio. Resistente ai solventi. **Indicato per i motori fuoribordo.** Conforme alla norma: SAEJ1527, ISO-8469 Tipo B1 e Certificazione CE. Garanzia: 3 anni

PASAMAMPAROS THRU HULL PASSA SCAFO

Ref.	R.O. OEM	Manguera Hose Tubo	Envase (x blister) Pack (x blister) Qty (x blister)
GS31064		3/8"	1

GOLDENSHIP



Para atravesar mamparos de hasta 12mm. Fabricado en latón.
For bulkhead up to 12 mm. Made in machined brass.
Per attraversare paratie fino a 12mm. Fabbriato in ottone.

CONECTOR COMBUSTIBLE FUEL CONNECTOR ATTACCO COMBUSTIBILE

Ref.	R.O. OEM	Rosca Thread Passo	Envase (x blister) Pack (x skinpack) Qty (x Blister)
GS31034	17650-921-003ZB	3/8"	1
GS31030	17660-ZV5-902	3/8"	1
GS31032	116977-ZV5-900	1/4" NPT	1
GS31031	176060-ZV5-A00	1/4" NPT	1
	17660-ZW9-003	3/8"	1
GS31033	116977-ZV5-A00	1/4" NPT	1

GOLDENSHIP



GS31030
Modelo antiguo.
Old model.
Modello vecchio.



GS31031
Modelo nuevo
New model.
Modello nuovo.



GS31034
Modelo antiguo.
Old model.
Modello vecchio.



GS31032
Modelo antiguo.
Old model.
Modello vecchio.



GS31033
Modelo nuevo
New model.
Modello nuovo.



CONECTORES / CONNECTOR / ATTACCO

Ref.	Rosca Thread Passo	Envase (x blister) Pack (x skinpack) Qty (x Blister)
GS31069	1/4" NPT	1

CONECTOR "T"

Para conectar dos motores a un sólo depósito, o viceversa. Fabricado en latón.

CONNECTOR "T"

To connect two motors to a single deposit, or vice versa. Made in machined brass.

CONECTOR "T"

Per collegare due motori a un solo serbatoio, o viceversa. Fabbriato in ottone.

GOLDENSHIP



Ref.	Rosca Thread Passo	Envase (x blister) Pack (x skinpack) Qty (x Blister)
GS31068	1/4" NPT	1

CODO DEPOSITO

Fabricado en latón.

TANK ELBOW

Made in machined brass.

CODO DEPOSITO

Fabbriato in ottone.

GOLDENSHIP



RACORS / RACORS / RACCORDO

Ref.	Rosca Thread Passo	Manguera Hose Tubo	Envase (x blister) Pack (x skinpack) Qty (x blister)
GS31065	1/4" NPT	3/8" = 9.5 mm	2
GS31166	1/4" NPT	5/16" = 7.9 mm	2
GS31155	3/8" NPT	3/8" = 9.5 mm	2
GS31156	3/8" NPT	5/16" = 7.9 mm	2
GS31157	3/8" NPT	1/4" = 6.4 mm	2

Racor 90° fabricado en latón.

Made in machined brass.

Raccordo 90° prodotto in ottone

GOLDENSHIP



Ref.	Rosca Thread Passo	Manguera Hose Tubo	Envase (x blister) Pack (x skinpack) Qty (x blister)
GS31066	1/4" NPT	5/16" = 7.9 mm	2
GS31067	1/4" NPT	3/8" = 9.5 mm	2

Fabricado en latón.

Made in machined brass.

Prodotto in ottone

GOLDENSHIP



FILTROS COMBUSTIBLE Y ELEMENTOS FUEL FILTERS AND ELEMENTS SUPPORTI, FILTRI BENZINA E RACCORDI

BRACKET / BRACKET / SUPPORTO

Ref.	Braket Bracket Supporto	Tomas NTPF Ports Filetto
REC25000	Aluminio / Aluminium / Alluminio	1/4"
GLM25010	INOX AISI316 / S.S. AISI316	1/4"
GLM25020	Aluminio / Aluminium / Alluminio	3/8"
GLM25030	INOX AISI316 / S.S. AISI316	3/8"
RECOBRACKET	Plástico / Plastic / Plastica	1/4"
GLM25011	INOX AISI316 / S.S. AISI316	1/4"
GLM25031	INOX AISI316 / S.S. AISI316	3/8"

Con 2 tapones de bronce y 2 tubos de extensión.
(2 entradas y 2 salidas).

With 2 brass plugs and 2 extension tubes.
(2 inputs & 2 outputs).

Con 2 tappi di bronzo e 2 tubi di estensione.

(2 ingressi entrata carburante e 2 uscite carburante).



REC25000 - GLM25020



GLM25010 - GLM25030



RECOBRACKET



GLM25011-GLM25031

**FILTRO COMBUSTIBLE
SEPARADOR DE AGUA
WATER SEPARATING FUEL FILTER
FILTRO SEPARATORE ACQUA-BENZINA**

Ref.	Micras Micron Micras	Altura Height Altezza
REC855686	28	4-7/16"
GLM24941	28	3-3/4"
REC24942	10	4-7/16"
REC35-802893Q01	10	3-3/4"
REC855686	28	4-7/16"
REC35-802893Q	25	3-3/4"
RACPPFF5510	10	4-7/16"



REC855686



GLM24941



REC24942



REC35-802893Q01



REC855686



REC35-802893Q

**FILTRO ORIGINAL
OEM FILTER
FILTRO BENZINA ORIGINALE**

Ref.	Micras Micron Micras	Altura Height Altezza
RM35-802893Q	10	3-3/4"



REC35-802893Q

**FILTRO CON BRACKET
OEM FILTER WITH BRACKET
FILTRO BENZINA CON SUPPORTO**

Ref.	Micras Micron Micras	Tomas NPTF Ports Filetto	Flujo Flow Flusso
GLM24950	25	1/4"	50 GPH
GLM24952	10	1/4"	50 GPH

Bracket de Aluminio. Con 2 tapones de bronce y 1 tubo de extensión.
Cast Aluminium Bracket. With 2 brass plugs & 1 extension tube.
Supporto in alluminio. Con 2 tappi di bronzo e 1 tubi di estensione.



GLM24950



GLM24952

Ref.	Micras Micron Micras	Tomas NPTF Ports Filetto	Flujo Flow Flusso
GLM24960	28	1/4"	50 GPH
GLM24956	28	1/4"	50 GPH
GLM24957	10	1/4"	50 GPH

Bracket Inox. AISI316. Con 2 tapones de bronce y 2 tubos de extensión.
With S.S. AISI316 Bracket. With 2 brass plugs & 2 extension tubes.
Supporto Inox AISI316. Con 2 tappi di bronzo e 2 tubi di estensione.



GLM24960
Bracket rojo
Red Bracket
Supporto rosso



GLM24956



GLM24957

**FILTRO DECANTADOR COMBUSTIBLE
CON VASO TRANSPARENTE
COMPLETE FUEL FILTER WITH
TRANSPARENT BOWL
FILTRO DE DECANTAZIONE BENZINA
COMPLETO CON VASCHETTA
TRASPARENTE**

Ref.	Elemento Element Cartuccia	
RAC320R-RAC-01	RACS3213	Aluminio / Alluminum / Auminio
RAC320R-RAC-03		Plastico / Plastic / Plastica



Incluye soporte
Includes bracket.
Con supporto



Filtro completo Compleat filter Filtro completo	Cartucho recambio Replacement element Cartuccia di ricambio	Capacidad Máx. Max. Capacity Capacità massima
REC90794-46866	REC90794-46868	117l/h



**LLAVE PARA FILTRO
FILTER KEY
CHIAVE DA FILTRO**

Ref.
RECYS-225-15



Filtro completo Compleat filter Filtro completo	Cartucho recambio Replacement element Cartuccia di ricambio	Capacidad Máx. Max. Capacity Capacità massima
RECOBFILTER	RECOBLEMENT	150 l/h



Filtro completo Compleat filter Filtro completo	Micras Micron Micras	Rosca Thread Filettatura	Capacidad Máx. Max. Capacity Capacità massima
RAC490R-RAC-01	10	3/8" NPTF	340 l/h



Ref.	R.O. / OEM
RACS3227	99105-20005

Cartucho recambio
Replacement element
Cartuccia di ricambio



CON PURGADOR. Para motores fueraborda superiores a 150 HP.

WITH PRIMING PUMP. For outboards engines more than 150 HP.

CON POMPETTA PER RIEMPIRE IL FILTRO. Per motori fuoribordo superiori a 150 hp.

Filtro completo Compleat filter Filtro completo	Cartucho de recambio Replacement element Cartuccia di ricambio	Motores máximo Max. engine Motore massimo
RAC23299-10	RAC23289-10	4T 130 HP



Filtro de combustible con braket.
Complete fuel filter with braket.
Filtro combustibile con supporto.

ELEMENTOS DE RECAMBIO
ELEMENT
ELEMENTI DI RICAMBIO



RACOR.

Ref.	R.O. OEM	Para filtros: For filters: Per filtro:
RACS3240		RAC120R-RAC-01
RACS3227	YMM-2E227-00	Yamaha-Suzuki
RACS3213		RAC320R-RAC-01, RAC320R-RAC-01 INOX
RACS3214		Reemplaza Johnson & Evinrude Replaces Johnson & Evinrude Sostituisce Johnson & Evinrude
RACS3228UL		RAC320R-RAC-02, con/with bracket RACOR.
RACS3220UL		RAC320R-RAC-02 y RAC320R-RAC-02 INOX

RACOR.



	RAC120R-RAC-01	RAC320R-RAC-01	RAC320R-INOX-01	RAC320R-RAC-02	RAC320R-INOX-02
R.O. OEM	99105-20006-ASY				
Flujo máximo Max. flow Flussi massimo	114 lph 30 gph	340 lph 60 gph	340 lph 60 gph	340 lph 60 gph	340 lph 60 gph
Elemento Element Elemento	RACS3240	RACS3213	RACS3213	RACS3220UL	RACS3220UL
R.O. Elemento OEM Elemento	99105-20006-000				
Cazoleta transparente (1) Clear bowl (1) Vaschetta trasparente (1)	Si yes si	Si yes si	Si yes si	No	no
Roscas centrales Central threads Filetto centrale	M18 x 1.5	1 - 14	1 - 14	1 - 14	1 - 14
Tamaño rosca cabeza Head port size Dimensione vite testa	1/4-18 NPTF	1/4-18 NPTF	1/4-18 NPTF	1/4-18 NPTF	1/4-18 NPTF
Altura x Ancho x Prof. Height x Width x Depth Altezza x Largh x Prof.	166 x 81 x 81 mm	238 x 102 x 102 mm	238 x 102 x 102 mm	238 x 102 x 102 mm	238 x 102 x 102 mm
Peso Weight Peso	0.5 Kg	0.9 Kg	0.9 Kg	0.9 Kg	
Caída de presión Pressure drop Caduta di pressione	0.15 PSI 0.01 bar	0.61 PSI 0.04 bar	0.61 PSI 0.04 bar	0.61 PSI 0.04 bar	0.61 PSI 0.04 bar
Presión máxima (2) Max. pressure (3) Pressione massima (2)	7 PSI 0.5 bar	7 PSI 0.5 bar	7 PSI 0.5 bar	7 PSI 0.5 bar	7 PSI 0.5 bar
Desmontaje cartucho-cazoleta Element removal underbowl Timozione della cartuccia	25.4 mm 1"	25.4 mm 1"	25.4 mm 1"	25.4 mm 1"	25.4 mm 1"
Temp. trabajo Operating temp. Tempo lavoro	-40° C + 124° C / -40° F + 255° F				

(1) Las cazoletas transparentes sólo se recomienda para fueraborda.
Clear bowls are recommended just for outboards.
Si raccomanda l'utilizzo della vaschetta trasparente solo nei fuoribordo.

(2) Instalaciones de presión aplicables hasta el parametro escrito.
Pressure installations are applicable up to the maximum PSI shown.
L'installazione di pressione è applicabile fino al parametro scritto.

FILTRO COMBUSTIBLE EN LÍNEA INLINE FUEL FILTER FILTRO COMBUSTIBILE IN LINEA

Ref.	Capacidad Capacity Capacità	Manguera Hose Tubo	Envase (x blister) Pack (x skinpack) Pnt (x blister)
GS31001	50 lt/h	6-8 mm	1 x skinpack
GS31002	150 lt/h	8-10 mm	1 x skinpack

Filtro transparente para gasolina o gasoil.
Transparent plastic in line filter for petrol and diesel.

Filtro trasparente per benzina o diesel

GOLDENSHIP



GOLDENSHIP

Ref.	Manguera Hose Tubo	Envase (x blister) Pack (x skinpack) Pnt (x blister)
GS30435	6, 8, 10 mm	1

FILTRO TRANSPARENTE

De metal y cristal. Racors para mangueras de 6-8-10 mm.

TRANSPARENT FILTER

Clear body permits visual inspection. Racors 6-8-10 mm.

FILTRO TRASPARENTE

Di metallo e vetro. Montaggio in linea. Raccordi per tubo da 6-8-10 mm.



Ref.	Ø Manguera / Ø Hose / Ø Tubo
REC40145	1/4"
REC40155	5/16"
REC40165	3/8"
REC40135	5/16" Entrada In Entrata 3/8" Salida Out Uscita

De plástico / Plastic / In plastica



Ref.	R.O.
REC16911-ZY3-010	16911-ZY3-010

MOTORES / ENGINES / MOTORI

BF80A	BF225 AK2 / AK3 / AK1 / A6
BF100A	BF200AK2 / AK3 / AK1 / A6
BF90D2 / D4 / DK0	BF175 AK2 / AK3 / AK1 / A6
BF75DK2 / DK3 / DK0	BF250A
BF150 AK2 / A4	BF115D / DK1 / A2
BF135 AK2 / A4	BF130 A2



Ref.	R.O.
REC16910-ZV4-015	16910-ZV4-015

MOTORES / ENGINES / MOTORI

BF15AM/B/D3/DK2	BF75DK0/DK2/DK3
BF8C/CX/B1/B2/D1/D2/ P8B1/P8B2/DK2	BF40D/DK2
BF9.9AH/AK/AM/B/ DK2/D1	BF50D/DK2
BF25D4/DK2/A/A1/AX	BF90DK0/DK2/DK4
BF30D4/DK2/A/A1/AX	BF100A
BF20A/AX/D3	BF60A/AK1
BF10B1/D1/P10B1/ DH/DK2	BF80A

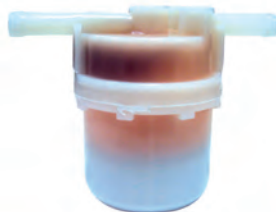


Ref.	R.O.
REC16900-SA5-004	16900-SA5-004

MOTORES / ENGINES / MOTORI

BF35AM	
BF40B/B2/BX/A4/A/A1/A2/AX/A3/AY	
BF45AM	
BF75A1/AT/AV/AX/A2/A3	
BF90A1/AF/AV/AX/A2/A3	
BF50A4/A/A1/A2/AX/A3/AY	

Series #14ZW00E1M



Ref.	R.O.
REC16910-GB2-005	16900-GB2-005

MOTORES / ENGINES / MOTORI

BF4.5B/BX/B2/B4/B6	BF8AX/B/BX/AH/AK/AM
BF5A1/AH/AK/AM/AX/ A2/A3/A4	BF50F
BF6B/BX/D6	BF75F
	BF100F



Ref.	R.O.
REC16900-SR3-004	16900-SR3-004

MOTORES / ENGINES / MOTORI

BF115A1 / A2 / A3 / AX
BF130A1 / A2 / A3 / AX

Series #14ZW50E1M



Ref.	R.O.
REC16010-ST5-993	16900-ST5-993

MOTORES / ENGINES / MOTORI

BF115
BF130 / AX / AY / A1

Series #14ZW50E1M



FILTROS ACEITE OIL FILTERS FILTRI OLIO

Ref.	R.O.
REC35-822626903	15400-PM3-004
	15400-PFB-004
	15400-PM3-405
	15400-PJ7-015
	15400-PJ7-005
REC15400-PLM-A01PE	15400-PH1-F03
	15400-POH-305PE
	15400-POH-305
	15400-ZJI-004
	15400-PLM-A01PE
REC5GH-13440-00	15400-PFB-007
REC15400-RBA-F01	15400-RBA-F01



GUÍA FILTROS DE ACEITE OIL FILTER GUIDE GUIDA FILTRI OLIO

MODELO MODEL MODELLO	AÑO YEAR ANNO	Ref.
BF8D	2001+	REC35-822626Q03
BFP8D	2001+	
BF9D BFP9D	2001+	
BF15D BFP15D	2003+	
BF20D	2003+	
BF25A	-1998	
BF30A	-1998	
BF35AM	-1998	
BF40A	-1998	
BF45AM	-1998	
BF50A	-1998	REC5GH-13440-00
BF25	1999+	
BF30	1999+	
BF40	1999+	
BF50	1999+	
BF75 BF90	1997+	REC15400-PLM-A01PE
BF115 BF130	1999+	
BF135 BF150	2004+	
BF200 BF225 BF250	2002+	
V-TEC150		
V-TEC175		
		REC15400-RBA-F01

ÁNODOS / ANODES / ANODI

Ref.	R.O.	Peso Weight Peso
CM06411-ZV5-000	06411-ZV5-000 Cinc / Zinc / Zinco	0,36 kg
CM06411-ZV5-000A	06411-ZV5-000 Aluminio / Aluminium / Alluminio	0,14 kg

MOTORES / ENGINES / MOTORI

BF35, 40, 45, 50

150 x 35 mm



Ref.	R.O.	Peso Weight Peso
CM06411-ZW1-000	06411-ZW1-000 Cinc / Zinc / Zinco	0,83 kg
CM06411-ZW1-000A	06411-ZW1-000 Aluminio / Aluminium / Alluminio	0,33 kg

MOTORES / ENGINES / MOTORI

BF75 --> BF225 HP

220 x 50 mm



Ref.	R.O.	Peso Weight Peso
CM826134	41109-ZW1-003 Cinc / Zinc / Zinco	0,25 kg
CM826134A	12155-ZV5-000 Aluminio / Aluminium / Alluminio	0,10 kg

MOTORES / ENGINES / MOTORI

BF20-->BF250 HP



Ref.	R.O.	Peso Weight Peso
CM41109-ZW1-B00	41109-ZW1B00 Cinc / Zinc / Zinco	0,22 kg
CM41109-ZW1-B00A	Aluminio / Aluminium / Alluminio	0,11 kg

MOTORES / ENGINES / MOTORI

BF40-->BF250 HP



Ref.	R.O.	Peso Weight Peso
CM6E0-45251-11	41106-935-812 Cinc / Zinc / Zinco	0,10 kg
CM6E0-45251-11A	12155-ZV5-000 Aluminio / Aluminium / Alluminio	0,04 kg

MOTORES / ENGINES / MOTORI

BF2-->BF250 HP



Ref.	R.O.	Peso Weight Peso
CM41106-ZW9-09000	41106ZW909000 Cinc / Zinc / Zinco	0,99 kg

MOTORES / ENGINES / MOTORI

BF8-->BF50HP



Ref.	R.O.	Peso Weight Peso
CM664-45371-01	06412-ZV5-000 Cinc / Zinc / Zinco	0,27 kg
CM664-45371-01A	064-45371-01 Aluminio / Aluminium / Alluminio	0,10 kg

MOTORES / ENGINES / MOTORI

BF20--> BF50HP



Ref.	R.O.	Peso Weight Peso
CM41107-ZV500	41107ZV500 Cinc / Zinc / Zinco	0,29 kg
CM41107-ZV500A	Aluminio / Aluminium / Alluminio	0,11 kg

MOTORES / ENGINES / MOTORI

BF20--> BF50HP



Ref.	R.O.	Peso Weight Peso
CM41107-ZW1-B01	41107ZW1-B01 Cinc / Zinc / Zinco	0,44 kg
CM41107-ZW1-B01A	Aluminio / Aluminium / Alluminio	0,20 kg

MOTORES / ENGINES / MOTORI

BF75-->BF130 HP



Ref.	R.O.	Peso Weight Peso
CM31640	411072ZW1003 Cinc / Zinc / Zinco	0,45 kg
CM31640A	06412-ZV1-000 Aluminio / Aluminium / Alluminio	0,21 kg

MOTORES / ENGINES / MOTORI

BF75, 90, 115, 130



Ref.	R.O.	Peso Weight Peso
TEN01400	41106-ZW-000 Cinc / Zinc / Zinco	0,020 kg

MOTORES / ENGINES / MOTORI

Serie 8 /25HP



Ref.	R.O.	Peso Weight Peso
TEN01401	01402CORR366JR3 Cinc / Zinc / Zinco	0,080 kg

MOTORES / ENGINES / MOTORI

Serie 8 /25HP



HONDA

RECAMBIOS
MARINOS S.L.

Ref.	R.O.	Peso Weight Peso
TEN01402	41106-ZV4-650 Cinc / Zinc / Zinco 41106-935-812	0,090 kg

MOTORES / ENGINES / MOTORI
BF2-->BF15 HP



Ref.	R.O.	Peso Weight Peso
TEN01404	06411-ZV5-000 Cinc / Zinc / Zinco	0,380 kg

MOTORES / ENGINES / MOTORI
BF35-->BF50 HP



Ref.	R.O.	Peso Weight Peso
TEN01406	06411-ZV1-000 Cinc / Zinc / Zinco	0,860 kg

MOTORES / ENGINES / MOTORI
BF75-->BF225 HP



Ref.	R.O.	Peso Weight Peso
TEN01405	41109-ZW1-003 Cinc / Zinc / Zinco	0,250 kg

MOTORES / ENGINES / MOTORI
Serie 75 - 130 HP



Ref.	R.O.	Peso Weight Peso
TEN01407	41109-ZW1-B00 Cinc / Zinc / Zinco	0,230 kg

MOTORES / ENGINES / MOTORI
BF40-->BF250 HP



Ref.	R.O.	Peso Weight Peso
TEN01403	41107-ZV5-000 Cinc / Zinc / Zinco	0,280 kg

MOTORES / ENGINES / MOTORI
BF20-->BF50 HP



Ref.	R.O.	Peso Weight Peso
TEN01410	41107-ZW1-B01ZA Cinc / Zinc / Zinco	0,550 kg

MOTORES / ENGINES / MOTORI
Serie 75 - 90 - 115 - 130 HP



Ref.	R.O.	Peso Weight Peso
TEN01411	41107-ZV1-003-ZA Cinc / Zinc / Zinco	0,480 kg

MOTORES / ENGINES / MOTORI
BF75-->BF130 HP



Ref.	R.O.	Peso Weight Peso
TEN01412	Cinc / Zinc / Zinco	0,210 kg



Ref.	R.O.	Peso Weight Peso
TEN01409	41106-ZW9-000 Cinc / Zinc / Zinco	0,050 kg

MOTORES / ENGINES / MOTORI
BF8-->BF50 HP



Ref.	R.O.	Peso Weight Peso
TEN01408	12155-ZV4-A00 Cinc / Zinc / Zinco	0,040 kg

MOTORES / ENGINES / MOTORI
BF8-->BF250 HP



Ref.	R.O.	Peso Weight Peso
TEN01408/1	12155-ZV5-000 Cinc / Zinc / Zinco	0,030 kg

MOTORES / ENGINES / MOTORI
BF20-->BF250 HP



MOTORES DE ARRANQUE STARTERS MOTORINI AVVIAMENTO

Ref.	R.O.
REC31200-ZW9-802	31200-ZW9-802

MOTORES / ENGINES / MOTORI
BF8B2/D2/P8B2/DK2/D3/D4/P803
BF9.9DK2/D3
BF10D4/DK2/B2/D2



Ref.	R.O.
REC31200-ZY6-003	31200-ZY6-003
	31200-ZY9-003
	31200-ZY9A-0031

MOTORES / ENGINES / MOTORI

BF115D/DK1
BF135A4/AK2
BF150A4/AK2
BF75DK0/DK2
BF90/DK2/DK0



Ref.	R.O.
PH130-0064	31200-ZW1-004

MOTORES / ENGINES / MOTORI

BF75A1/AT/AV/AX/A2/A3
BF90A1/AT/AV/AX/A2/A3
12V, 1.2 KW



Ref.	R.O.
PH130-0065	31200-ZW5-003

MOTORES / ENGINES / MOTORI

BF115A1/A2/A3/AX
BF130A1/A2/A3/AX
12V, 1.4 KW



Ref.	R.O.
ARC3446	31200-ZV5-013/003

MOTORES / ENGINES / MOTORI

BF35AM
BF40B/BX/A/A1/AX/AY/B2/A4/A2/A3
BF45AM/A/A1/AX
BF50A/A1/AX/AY/A4/A2/A3



Ref.	R.O.
PH130-0070	31200-ZY3-003
	31200-ZY3A-0034

MOTORES / ENGINES / MOTORI

BF175A3/A6/AK1/AK2/AK3
BF200A2/A3/A6/AK1/AK2/AK3
BF250A
BF225A2/A3/A6/AK1/AK2/AK3



**MOTORES TRIM Y POWERTRIM
TRIM ENGINES AND
COMPLETE TRIM
MOTORINI TRIM E POWERTRIM**

**INSTALACIÓN ELÉCTRICA
WIRING HARNESS
ISTALLAZIONE ELETTRICA**

Ref.	R.O.
PH200-WH01	

Sustituye de 2 a 3 cables.
Converts 3-wire Tilt and Trim motors to 2-Wire design
Sustituisce da 2 a 3 cavi.



**TRIM COMPLETO
COMPLETE TRIM ASSEMBLY
MOTORINO TRIM COMPLETO**

Ref.	R.O.
SIE18-6865	

MOTORES / ENGINES / MOTORI

3 RAM
115-225HP



Ref.	R.O.
PH200-T021	36120-ZV5-821

MOTORES / ENGINES / MOTORI

BF35AM
BF40B/B2/BX/A/A1/A2/AX/AY
BF45AM
BF50A/A1/A2/AX/AY



Ref.	R.O.	Motors / Engines / Motori
REC36120-ZY3-013	36120-ZY3-013	BF175A6 / AK1 / AK2 BF200AG / AK1 / AK2 BF225AG / AK / AK2
REC36120-ZY6-013	36120-ZY6-013	BF115D / DK1 BF135A4 / AK2 BF150A4 / AK2
REC36120-ZY9-003	36120-ZY9-003	BF75DK0 / DK2 / DK3 BF90DK0 / DK2 / DK4 BF100A, BF80A

4 Tornillos, conector redondo, incluye aro
4 bolt mount, round plug-in connector,
includes O-ring
4 viti, connettore rotondo, include anello



Ref.	R.O.
REC36120-ZW4-H12	36120-ZW4-H12

MOTORES / ENGINES / MOTORI

BF40A4 / D / DK2
BF50A4 / D / DK2

4 Tornillos, conector redondo, incluye aro
4 bolt mount, round plug-in connector,
includes O-ring
4 viti, connettore rotondo, include anello



**ALTERNADOR
ALTERNATOR
ALTERNATORE**

Ref.	R.O.
REC31630-ZY3-003	31630-ZY3-003

MOTORES / ENGINES / MOTORI

BF175A3/A2/A6/AK2/AK3
BF200A2/A3/A6/AK1/AK3
BF250A/A2/A3
BF225A2/A3/A6/AK1/AK2/AK3
Polea 6 canales
6 Groove pulley
Puleggia 6 canali



GUÍA ARRANQUE STARTER GUIDE GUIDE AVVIAMENTO

MODELO MODEL MODELLO	AÑO YEAR ANNO	MOTOR ARRANQUE STARTER MOTORINI AVVIAMENTO	TRIM	ALTERNADOR ALTERNATOR ALTERNATORE
BF8	2001+	REC31200-ZW9-802		
BF10	2001+	REC31200-ZW9-802		
BF9,9	2001+	REC31200-ZW9-802		
BF35	1995-1997	PH130-0054	PH200-T021	
BF40	1995+	PH130-0054	PH200-T021	
BF45	1995-1997	PH130-0054	PH200-T021	
BF50	1995+	PH130-0054	PH200-T021	
BF75	2007+	REC31200-ZY6-003		
BF75	1997-2006	PH130-0064		
BF90	1997-2006	PH130-0064		
BF90	2007+	REC31200-ZY6-003		
BF115	1999-2006	PH130-0065		
BF115	2007+	REC31200-ZY6-003		
BF130	1999-04	PH130-0065		
BF135	2004+	REC31200-ZY6-003		
BF150	2004+	REC31200-ZY6-003		
BF175	2002+	PH130-0070		REC31630-ZY3-003
BF200	2002+	PH130-0070		REC31630-ZY3-003
BF225	2002+	PH130-0070		REC31630-ZY3-003
BF250	2012+	PH130-0070		REC31630-ZY3-003

REGULADORES Y BOBINAS REGULATORS & COILS REGOLATORI E BOBINE

BOBINA / COIL / BOBINE

Ref. R.O.
REC30520-PNA-007 30520-PNA-007

MOTORES / ENGINES / MOTORI

VTEC
BF135A4
BF150A4



Ref. R.O.
REC30520-PWC-003 30520-PWC-S01

MOTORES / ENGINES / MOTORI

BF75DK0 / DK2 / DK3
BF90DK0 / DK2 / DK4
BF100A
BF80A



Ref. R.O.
REC30580-ZV4-013 30580-ZV4-023

MOTORES / ENGINES / MOTORI

BF15AH / AK / AM / B / A1 / A2 / AX / AY / B2 / BX / A3
BF9.9AH / AK / AM / B / AX / AY
BF8C / CX



SENSOR ÁRBOL DE LEVAS SENSOR CRAMSHAFT SENSORE ALBERO

Ref. R.O.
REC37510-PNB-003 37510-PNB-003

MOTORES / ENGINES / MOTORI

BF115D / DK1
BF135A4 / AK2



SENSOR DE OXÍGENO O₂ SENSOR SENSORE OSSIGENO

Ref. R.O.
REC35668-ZY6-003 35668-ZY6-003

MOTORES / ENGINES / MOTORI

BF115D / DK1
BF135A4 / AK2



Ref. R.O.
REC35655-ZY3-013 35655-ZY3-013

MOTORES / ENGINES / MOTORI

BF175A3 / A6
BF200A2 / A3 / A6
BF225A2 / A3 / A6



Ref. R.O.
REC35655-ZY9-003 35655-ZY9-003

MOTORES / ENGINES / MOTORI

BF75DK0 / DK2
BF90DK0 / DK2



DESCONECTORES DE SEGURIDAD CUT OFF SWITCHES CHIAVETTA DI SICUREZZA

KITS

Interruptor de encendido para todo tipo de motores fueraborda o intraborda.
Emergency and stop switch for inboard or outboards.
Interruttore di accensione per tutti i tipi di motori fuoribordo o entro bordo.

Ref.	Características / Features / Caratteristiche	Envase / Pack / Qnt
REC40970	Kit completo / Complete kit / Kit completo	1 x blister
REC40990	Cuerda tirador de recambio / Spare Corda elastica di ricambio	1 x blister
GS11290	Kit completo / Complete kit / Kit completo	1 x blister
GS11291	Cuerda tirador de recambio / Spare Corda elastica di ricambio	1 x blister
GS11292	Kit completo / Complete kit / Kit completo	1 x blister



REC40970 - REC40990

GS11290 - GS11291



GS11292

Ref.	Características / Features / Caratteristiche	Envase / Pack / Qnt
GS11294	Kit de 8 llaves de recambio para: Kit of 8 spare keys for: Kit di 8 chiavi di ricambi per: J/E, OMC, Mercury, Yamaha, Honda, Suzuki, Tohatsu.	1 x blister

GOLDENSHIP

Kit de 8 llaves de recambio para:
Kit of 8 spare keys for:

Kit di 8 chiavi di ricambi per:

J/E, OMC, Mercury, Yamaha, Honda,
Suzuki, Tohatsu.



INTERRUPTOR DE PARO STOP SWITCH INTERRUTTORE DI STOP

Ref.	Características / Features / Caratteristiche	Envase / Pack / Qnt
THKS-1	Un fueraborda / Single outboard / Un fuoribordo	1 x blister
THKS-2	Un intraborda / Single I/O / Un entro bordo	1 x blister
THKS-12	Dos fuerabordas / Dual outboard / Due fuoribordo	1 x blister
THKS-22	Dos intrabordas / Dual I/O / Due entro bordo	1 x blister
THL-4	Cuerda recambio / Spare lanyard / Corda ricambio	1 x blister

Interruptor de encendido para motores.
Aisla los circuitos en unidades dobles
para prevenir el retorno al alternador.
Emergency and stop switch. Isolates
circuits on dual units to prevent
feedback.

Interruttore di accensione per motori.
Isola i circuiti in doppie unità per preve-
nire il ritorno all'alternatore.



BUJÍAS NGK SPARK NGK CANDELE NGK



Potencia HP Power HP Potenza HP	Año Year Anno	Ref NGK
BF 2B		NGKCR5HSB
BF 2D	1999+	NGKCR5HSB
BF 2/A	1984+	NGKBMR4A
BF 2B		NGKCR5HSB
BF 2.3		NGKCR5HSB
BF 4.5B		NGKBPR5ES
BF 5AK		NGKBPR5ES
BF 5	1984+	NGKBPR5ES
BF 5A		NGKBPR5ES
BF 6B	2003+	NGKDR4HS
BF 6		NGKDR4HS
BF 6CH	2004+	NGKCR5EH-9
BF 7,5	1977+	NGKDR5HS
BF 8	2001+	NGKCR5EH-9
BF 8D		NGKCR5EH-9
BF 8D1	8.0HP 2001+	NGKCR5EH-9
BF 8	1987-2000	NGKDR5HS
BF 8 A/B/C	1990-2000	NGKDR5HS
BF 8B1		NGKCR5EH-9
BF 9/A		NGKDR5HS
BF 9.9	1987-2001	NGKDR5HS
BF 9.9 A/B		NGKDR5HS
BF 9.9D1	9.9HP 2001+	NGKCR5EH-9
BF 10D	2001+	NGKCR5EH-9
BF 10/B1	2001+	NGKCR5EH-9
BF 15D	2003+	NGKCR5EH-9
BF 15B		NGKDR5HS
BF 15	1987-1990	NGKDR6HS
BF 15A	1996-2002	NGKDR5HS
BF 20	1993+	NGKDR7EA
BF 20/F	1985+	NGKBMR4A
BF 20D	2003+	NGKCR5EH-9
BF 25/A	1993+	NGKDR7EA
BF 25B		NGKDR7EA
BF 25D4	2004+	NGKDR7EA
BF 28		NGKCR5HSB
BF 28D		NGKCR5HSB
BF 30/A	1994+	NGKDR7EA
BF 30D4	2004+	NGKDR7EA
BF 35/A	1990+	NGKDR7EA
BF 40B		NGKDR7EA
BF 40/A	1994+	NGKDR7EA
BF 45/A	1990+	NGKDR7EA
BF 50/F	1985-1994	NGKBPR5ES
BF 50	1986-1994	NGKBPR5ES
BF 50/A	1994+	NGKDR7EA
BF 70A		NGKDR7EA
BF 75	2003+	NGKDR7EA
BF 75B		NGKDR7EA
BF 75E		NGKDR5HS
BF 75A	1995+	NGKDR7EA
BF 75		NGKDR5HS
BF 90/A	1995+	NGKDR7EA
BF 100E		NGKDR5HS
BF 100		NGKDR5HS
BF 115/A	1998+	NGKZFR7F
BF 130A	1998+	NGKZFR7F
BF 135A		NGKIZFR6K11
BF 150A		NGKIZFR6K11
BF 175A		NGKIZFR6K11
BF 200A V6	2002+	NGKIZFR6K11
BF 225A V6	2002+	NGKIZFR6K11
BF 250A	2010+	NGKIZFR6K11

BUJÍAS CHAMPION SPARK CHAMPION CANDELE CHAMPION



Potencia HP Power HP Potenza HP	Año Year Anno	Ref CHAMPION
2HP	BF2A,D	CHACJ14
5HP	OHC - BF5A	CHARN11YC4
7.5HP	B75	CHAP10Y
8.0HP	OHC - BF8A	CHAP10Y
9.9HP	BF9.9A	CHAP10Y
15HP	OHC - BF15A	CHAP8Y
20HP	BF20A	CHARA6HC
25HP	OHC - BF25A	CHARA8HC
30HP	OHC - BF30A	CHARA8HC
35HP	BF35A	CHARA8HC
40HP	OHC - BF40A	CHARA8HC
45HP	BF45A	CHARA8HC
50HP	OHC - BF50A	CHARA8HC
70HP	OHC - BF70A	CHARA8HC
75HP	BF75A	CHARA8HC
90HP	OHC - BF90A	CHARA8HC
115HP	OHC	CHARC9MC4
130HP	OHC	CHARC9MC4
150HP	BF150, BF200, 225	CHARC9MC4

JUNTA DE CULATA GASKET CYLINDER HEAD GUARNIZIONE TESTATA

JUNTA DE CULATA GASKET CYLINDER HEAD GUARNIZIONE TESTATA

Ref. R.O.
REC12251-ZV7-004 12251-ZV7-004

MOTORES / ENGINES / MOTORI

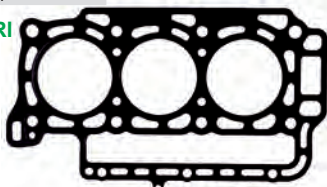
BF20A / A2 / AX
BF25A / A1 / 2 / A3 / AX
BF30A / A1 / A2 / A3 / AX



Ref. R.O.
REC12251-ZV5-003 12251-ZW4-H01

MOTORES / ENGINES / MOTORI

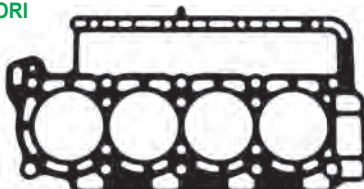
BF35
BF40A2 / A3 / A4 / B2 / D / D2
BF50A2 / A3 / A4 / D / DK2



Ref. R.O.
REC12251-ZW1-014 12251-ZW1-014

MOTORES / ENGINES / MOTORI

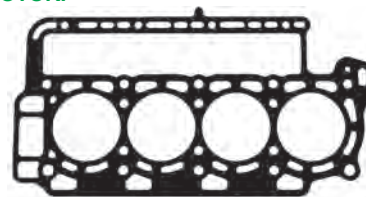
BF75A1 / A2 / A3 / AT / AX / AV
BF90A1 / A2 / A3 / AT / AX / AV



Ref. R.O.
REC12251-ZW5-023 12251-ZW5-023

MOTORES / ENGINES / MOTORI

BF115A2 / A3
BF130A2 / A3

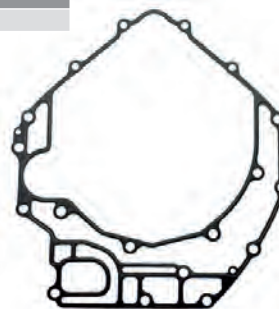


JUNTAS BASE MOTOR GASKET, ENGINE HOLDER GUARNIZIONE, BASE MOTORE

Ref. R.O.
REC23172-ZW1-013 23172-ZW1-013

MOTORES / ENGINES / MOTORI

BF75A1 / A2 / A3
BF90A1 / A2 / A3



Ref. R.O.
REC23172-ZW5-013 23172-ZW5-013

MOTORES / ENGINES / MOTORI

BF115A1 / A2 / A3 / AX
BF130A1 / A2 / A3 / AX

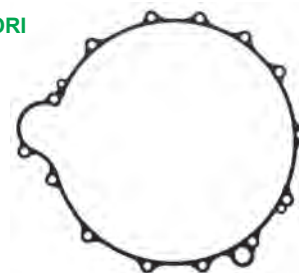


JUNTAS BOMBA ACEITE GASKET OIL PUMP GUARNIZIONE POMPA OLIO

Ref. R.O.
REC15112-ZW5-003 15112-ZW5-003

MOTORES / ENGINES / MOTORI

BF115A1 / A2 / A3 / AX
BF130A1 / A2 / A3 / AX



JUNTA SILENCIOSO GASKET MUFFLER GUARNIZIONE SILENZIATORE

Ref. R.O.
REC17384-ZW4-000 17384-ZW4-000

MOTORES / ENGINES / MOTORI

BF25D4 / DK2 / A4
BF30D4 / DK2 / A4



KIT JUNTAS GASKET KIT KIT GUARNIZIONE

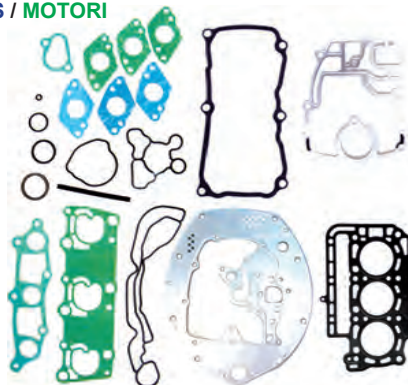
Ref. R.O.
RM061A1-ZV0-000 061A1-ZV0-000

MOTORES / ENGINES / MOTORI
BF20F



Ref. R.O.
RM061A1-ZV7-000 061A1-ZV7-000

MOTORES / ENGINES / MOTORI
BF20A
BF25A



Ref. R.O.
RM06111-ZW1-020 06111-ZW1-000

MOTORES / ENGINES / MOTORI
BF75A1 / AT / AV / AX
BF90 / A1 / AT / AV / AX



CORREAS DISTRIBUCIÓN TIMMING BELTS CINGHIE DISTRIBUZIONE

Ref. R.O.
RM14400-921-024 14400-921-024

MOTORES / ENGINES / MOTORI
F8AX / B / BX / AH / AK / AM
BF6BX / D6
BF75A / B / C / D / K2 / K3 / E / F
BF100A / B / C / D / E / F



Ref. R.O.
RM14400-ZV4-004 14400-ZV4-004

MOTORES / ENGINES / MOTORI
BF8C / CX
BF9.9AH / AK / AM / B / AX / BX / AY
BF15AH / AK / AM / B / A1 / A2 / AX / B2 / A3 / AY



Ref. R.O.
RM14400-ZV5-004 14400-ZV5-004

MOTORES / ENGINES / MOTORI
BF35AM
BF40B / B2 / BX / A / A1 / A2 / AX / AY
BF45AM
BF50A / A1 / A2 / AX / AY



Ref. R.O.
RM14400-ZW1-004 14400-ZW1-004

MOTORES / ENGINES / MOTORI
BF75A1 / AT / AV / AX / A2 / A3
BF90A1 / AT / AV / AX / A2 / A3



RETÉN DE VÁLVULAS VALVE SEALS TENUTE

ESCAPE / EXHAUST / SCARICO

Ref. R.O.
REC12209-MB9-003 12209-MB9-003

MOTORES / ENGINES / MOTORI
BF75A1 / AT / AV / AC / A2 / A3
BF90A1 / AT / AV / AX / A2 / A3



ADMISIÓN Y ESCAPE INTAKE & EXHAUST ASPIRAZIONE E SCARICO

Ref. R.O.
REC12209-6B4-681 12209-GB4-681

MOTORES / ENGINES / MOTORI
BF8B1 / B2 / D1 / D2 / DK2 / D3 / D4
BF9.9DK2 / D1 / D2 / D3
BF10B1 / D1 / D4 / DK2 / D2



Ref. R.O.
REC12211-PZ1-004 12210-PZ1-004
12211-PZ1-004

MOTORES / ENGINES / MOTORI
BF115A1 / A2 / A3 / AC / D DK1
BF130A1 / A2 / A3 / AX
BF250A
BF175A3 / A6 / AK1 / AK2 / AK3
BF200A2 / A3 / A6 / AK1 / AK2 / AK3
BF225A2 / A3 / A6 / AK1 / AK2 / AK3
BF40E
BF60A / AK1
BF80A
BF100A
BF75DK0 / DK2 / DK3
BF90DK0 / DK2 / DK4
BF150A4 / AK2
BF135A / AK2



TERMOSTATO THERMOSTAT TERMOSTATO

Ref. R.O.
REC19300-881-741 19300-881-741 62°C

MOTORES / ENGINES / MOTORI
BF6D6
BF100F
BF75F
BF8AH / AK / AM



Ref.	R.O.
REC19300-881-761	19300-881-761 52°C

MOTORES / ENGINES / MOTORI

BF4.5B / BX / BK2 / B2 / B4 / B6 / BK0
 BF5AH / AK / AM / AX / AK2 / A2 / A3 / A4
 BF15AH / AK / AM / B / A1 / A2 / A3 / AX / AY / B2 / BX
 F6B / BX
 BF8AX / B / BX / C / CX / AH / AK / AM
 BF100F
 BF75F
 BF9.9AH / AK / AM / B / AX / BX / AY



Ref.	R.O.
REC19300-ZW9-003	19300-ZW9-003 60°C

MOTORES / ENGINES / MOTORI

BF25D4 / DK2
 BF30D4 / DK2
 BF40A / D / DK2 / E
 BF50A / D / DK2
 BF8B1 / B2 / D1 / D2 / DK2 / D3 / D4
 BF9.9DK2 / D1 / D2 / D3
 BF10B1 / B1 / D4 / DK2 / B2 / D2
 BF15D3 / DK2
 BF20D3
 BF200A
 BF225A
 BF75DK0 / DK2 / DK3
 BF90DK0 / DK2 / DK4
 BF100A
 BF80A
 BF60A / AK1



Ref.	R.O.
REC19300-ZV5-043	19300-ZV5-043 72°C

MOTORES / ENGINES / MOTORI

BF35AM
 BF40B / B2 / BX / AX / A1 / A2 / A3 / AY
 BF45AM
 BF20AX / A
 BF25A / A1 / AX
 BF30A / A1 / AX / A2 / A3
 BF75A1 / AT / AV / AX / A2 / A3
 BF90A1 / AT / AV / AX / A2 / A3
 BF115A1 / A2 / AX
 BF130A1 / A2 / AX
 BF50A2 / AX / A1 / A3 / AY
 BF20A2 / A3
 BF25A1 / A2 / A3



**CARBURADOR
 CARBURETOR
 CARBURATORI**

**KITS CARBURADOR
 CARBURETOR KIT
 KIT CARBURATORI**

Ref.	R.O.
REC06160-ZV4-U11	06160-ZV4-U11 Honda KIT1

MOTORES / ENGINES / MOTORI

BF9.9 / BF15 (-2008)



Ref.	R.O.
REC16010-ZV4-005	16010-ZV4-005 Honda KIT3

MOTORES / ENGINES / MOTORI

BF75 (1997+)
 BF90 (1997+)



Ref.	R.O.
REC16010-ZW9-003	16010-ZW9-003 Honda KIT2

MOTORES / ENGINES / MOTORI

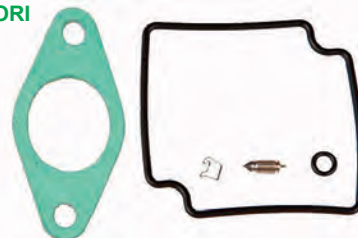
BF9.9 (2001+)
 BF15 (2003+)



Ref.	R.O.
REC18-7053	Honda KIT4

MOTORES / ENGINES / MOTORI

BF8 (2001+) BF35 (1997)
 BF9.9 BF40
 BF15 BF45 (1997)
 BF20 (2003+) BF50
 BF25 BF75 (1997+)
 BF30 BF90 (1997+)



**AGUJA CARBURADOR
 NEEDLE VALVE
 SPILLO CONICO CARBURATORE**

Ref.	R.O.
REC16011-881-741	16011-881-741

MOTORES / ENGINES / MOTORI

BF5 (-2003)
 BF8
 BF75 (-1997)
 BF100 (-1997)



Ref.	R.O.
REC16011-ZV4-005	16011-ZV4-005

MOTORES / ENGINES / MOTORI

BF8 (2001+) BF35 (1997)
 BF9.9 BF40
 BF15 BF45 (1997)
 BF20 (2003+) BF50
 BF25 BF75 (1997+)
 BF30 BF90 (1997+)



**JUNTAS ADMISIÓN
 ADMISION GASKET
 GUARNIZIONE ASPIRAZIONE**

Ref.	R.O.
REC16221-ZW9-000	16221-ZW9-000

MOTORES / ENGINES / MOTORI

BF8B1 / B2 / D1 / D2 / DK2 / D3 / D4
 BF9.9DK2 / D1 / D2 / D3
 BF10B1 / D1 / D4 / DK2 / B2 / D2



Ref.	R.O.
REC16201-881-850	16201-881-850

MOTORES / ENGINES / MOTORI

BF6B / BX / D6
 BF8AX / B / BX / AK / AM



Ref.	R.O.
REC16221-ZV4-610	16221-ZV4-610

MOTORES / ENGINES / MOTORI

BF15AK / AM / B / A1 / A2 / AX / B2 / BX / A3 / A4
BF9.9AK / AM / B / AX / BX / AY
BF8C / CX



Ref.	R.O.
REC16221-ZW1-000	16221-ZW1-000

MOTORES / ENGINES / MOTORI

BF75A1 / AT / AV / AX / A2 / A3
BF90A1 / AT / AV / AX / A2 / A3



Ref.	R.O.
REC17109-ZY6-000	17109-ZY6-000

MOTORES / ENGINES / MOTORI

BF115D / DK1
BF135A4 / AK2
BF150A4 / AK2
BF75DK0 / DK2 / DK3
BF90DK0 / DK2 / DK4
BF100A
BF80A



Ref.	R.O.
REC17105-ZY6-000	17105-ZY6-000

MOTORES / ENGINES / MOTORI

BF115D / DK1
BF135A4 / AK2
BF150A4 / AK2



Ref.	R.O.
REC17109-ZY3-004	17109-ZY3-004

MOTORES / ENGINES / MOTORI

BF250A
BF175A3 / A6 / AK1 / AK2 / AK3
BF200A2 / A3 / A6 / AK1 / AK2 / AK3
BF225A2 / A3 / A6 / AK1 / AK2 / AK3



Ref.	R.O.
REC17151-ZW5-000	17151-ZW5-000

MOTORES / ENGINES / MOTORI

BF115A1 / A2 / A3 / AX
BF130A1 / A2 / A3 / AX



Ref.	R.O.
REC17105-ZY3-004	17105-ZY3-004

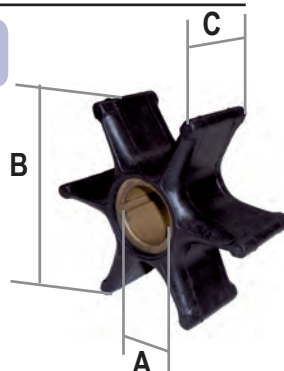
MOTORES / ENGINES / MOTORI

BF250A
BF175A3 / A6 / AK1 / AK2 / AK3
BF200A2 / A3 / A6 / AK1 / AK2 / AK3
BF225A2 / A3 / A6 / AK1 / AK2 / AK3



GUÍA IMPULSORES / IMPELLER GUIDE / GUIDA GIRANTE

Todos los motores utilizan impulsores de 6 palas. MEDIDAS mm (A-B-C)
All engines use 6 impellers blades. Measurements mm (A-B-C)
Tutti i motori utilizzano giranti con 6 pale. Misure mm (A-B-C)

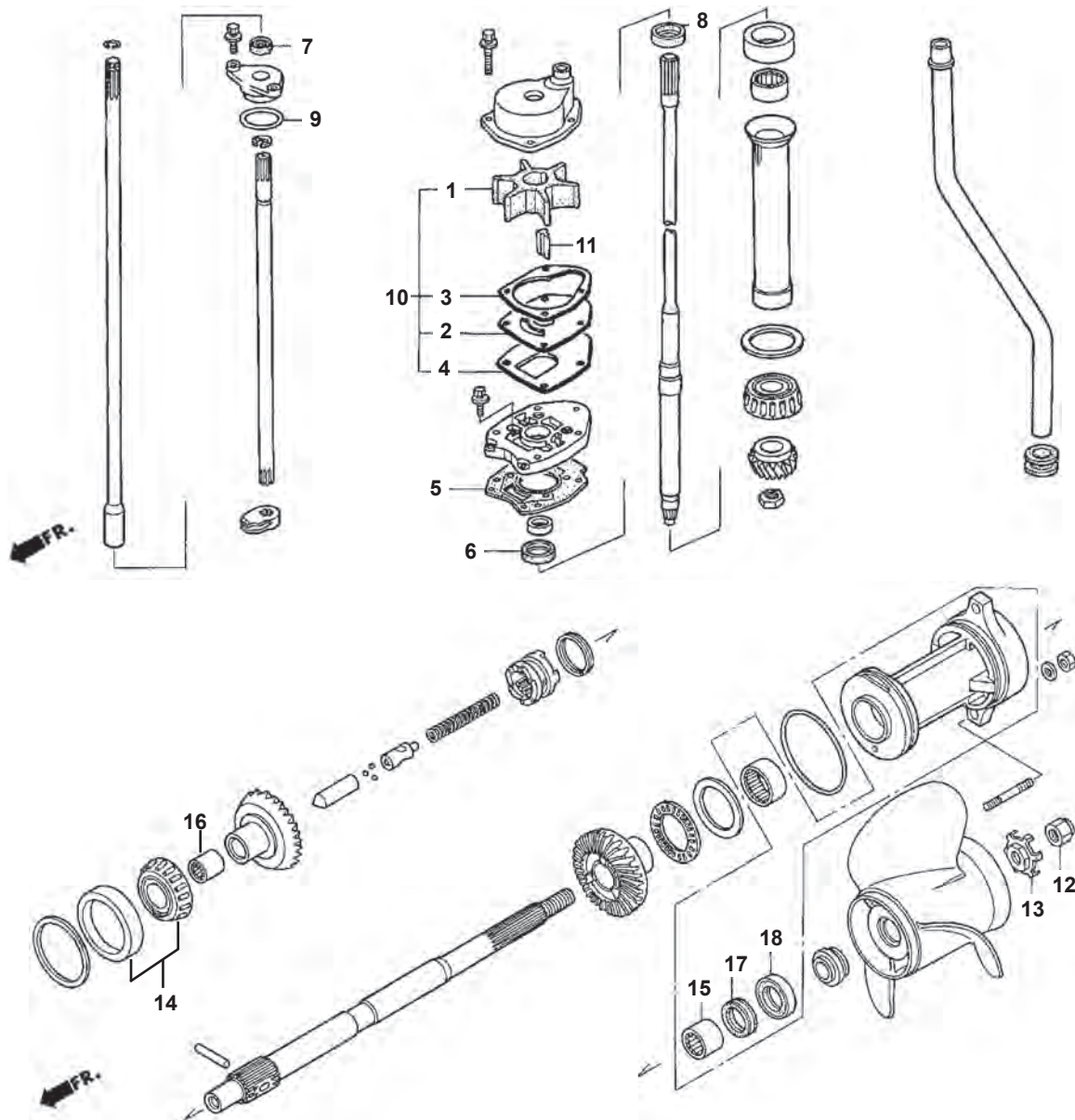


Modelo Model Modello	AÑO YEAR ANNO	R.O. OEM	Ref. RECMAR	Ref. CEF	Medidas / Measurements / Misure A B C
BF2AH-AK-AM/BF20F		19211-ZV0-003	RM19211-ZV0-003	N/A	10,50 40,00 22,50
BF4.5B		19210-881-A02	REC19210-881-003	CEF500327	14,20 41,00 23,00
BF50F/BF5		19210-881-A02	REC19210-881-003	CEF500327	14,20 41,00 23,00
BF6B-BX-D6		19210-881-A02	REC19210-881-003	CEF500327	14,20 41,00 23,00
BF75(7.5HP) A-B-C-D-E-F		19210-881-A02	REC19210-881-003	CEF500327	14,20 41,00 23,00
BF8B-D/BF9.9D/BF10 B-D Power trust(2000)		19210-ZW9-003	REC19210-ZW9-013	CEF500347	13,00 45,60 14,80
BF8B-D/BF9.9D/BF10 B-D (2000)		19210-ZW9-A31	REC19210-ZW9-A32	CEF500348	16,20 45,60 14,80
BF8AH-AK-AM-AX-B-BX		19210-881-A02	REC19210-881-003	CEF500327	14,20 41,00 23,00
BF8C-CX		19210-ZV4-651	REC19210-ZV4-651	CEF500343	14,10 41,00 27,55
BF9.9/BF15AH-AK-AM-H-K-M		19210-ZV4-013	REC19210-ZV4-013	CEF500328	14,20 41,00 27,55
BF9.9/BF15AM-AY-AX-A1-A4-B-BX-B2-M		19210-ZV4-651	REC19210-ZV4-651	CEF500343	14,10 41,00 27,55
BF100(10HP)A-B-C-D-E-F		19210-881-A02	REC19210-881-003	CEF500327	14,20 41,00 23,00
BF15/BF20D3-DK2		19210-ZW9-A31	REC19210-ZW9-A32	CEF500348	16,20 45,60 14,80
BF20/BF25/BF30A-AX-A1-A2-A3-A4-D4-DK2		19210-ZV7-003	REC19210-ZV7-003	CEF500339	17,20 55,75 20,20
BF35/BF45AM		19210-ZV5-003	REC19210-ZV5-003	CEF500338	17,20 55,90 20,20
BF40A-AX-AY-B-BX-E-D-DK		19210-ZV5-003	REC19210-ZV5-003	CEF500338	17,20 55,90 20,20
BF50/BF60A-AX-AK-AY-D-DK		19210-ZV5-003	REC19210-ZV5-003	CEF500338	17,20 55,90 20,20
BF75/BF90AT		19210-ZW1-303	REC47-43026Q02	CEF500301	22,40 89,00 32,50
BF75/BF90AV-AX	1999+	19210-ZW1-B04	REC19210-ZW1-B02	CEF500337	23,35 87,80 31,00
BF115/BF130	1999+	19210-ZW1-B04	REC19210-ZW1-B02	CEF500337	23,35 87,80 31,00
BF135/BF150	2004+	19210-ZW1-B04	REC19210-ZW1-B02	CEF500337	23,35 87,80 31,00
BF175/BF200/BF225		19210-ZY3-003	REC19210-ZY3-003	CEF500391	26,00 89,75 31,30

DESPIECE COLA GEARCASE COMPONENTS ESPLOSO PIEDE



BF75AT / BF90AT



Nº	R.O.	OEM	Ref.	Descripción	Description	Descrizione
1	19120-ZW1-303		REC47-43026Q02	IMPULSOR	IMPELLER	GIRANTE
2	19231-ZW1-003		REC8172761	BASE INOX	OUTER PLATE	PIASTRA INOX
3	19232-ZW1-003		REC27-8172771	JUNTA	GASKET	GUARNIZIONE
4	19234-ZW1-003		REC27-430331	JUNTA	GASKET	GUARNIZIONE
5	19242-ZW1-003		GLM30320	JUNTA	GASKET	GUARNIZIONE
6	91251-ZW1-003		GLM85160	RETEN	OIL SEAL	PARAOILIO
7	91253-ZW1-003		REC26-816464 1	RETEN	OIL SEAL	PARAOILIO
8	91254-ZW1-003		GLM85170	RETEN	OIL SEAL	PARAOILIO
9	91353-ZW1-003		GLM81275	TORICA	O-RING	ANELLO
10	19021-ZW1-003		REC47-43026Q06	KIT BOMBA AGUA	WATER PUMP KIT	KIT POMPA ACQUA
11	90752-ZW1-003		REC90752-ZW1-B02	CHAVETA	KEY	CHIAVETTA
12	90301-ZW1-003		GLM21230	TUERCA HELICE	NUT PROPELLER	DADO ELICHE
13	90508-ZW1-003		GLM21200	ARANDELA SEGURIDAD	WASHER TAB	RONDELLA
14	91051-ZW1-003		GLM21820	RODAMIENTO AVAN.	BEARING FORWARD	CUSCINETTO AVANTI
15	91053-ZW1-003		GLM11410	RODAMIENTO AGUJAS	NEEDLE BEARING	CUSCINETTO ASSE
16	91057-ZW1-003		GLM11420	RODAMIENTO RODILLOS	ROLLER BEARING	CUSCINETTO PIGNONE
17	91252-ZW1-003		REC26-76868	RETEN	SEAL,WATER	TENUTA
18	91351-ZW1-003		GLM85530	RETEN	SEAL,WATER	TENUTA

COLAS LOWER UNIT PIEDI

KITS REPARACIÓN BOMBA AGUA WATER PUMP SERVICE KITS KIT RICAMBI POMPE ACQUA

Ref. R.O.
REC06192-ZV1-C00 06192-ZV1-C00

MOTORES / ENGINES / MOTORI
BF4.5B / BK2 / BK0
BF5A1 / AM / AX / AAK2 / A2 / A3 / A4



Ref. R.O.
REC06192-881-C00 06192-881-C00

MOTORES / ENGINES / MOTORI
BF6B / BX / D6
BF8AX / B / BX / AM



Ref. R.O.
REC06192-ZV4-000 06192-ZV4-000

MOTORES / ENGINES / MOTORI
BF8C / CX
BF15A2 / A3 / B2



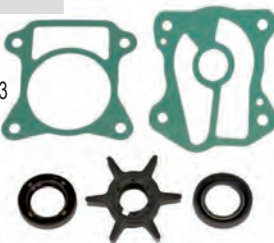
Ref. R.O.
REC06192-ZV7-000 06192-ZV7-000

MOTORES / ENGINES / MOTORI
BF25D4 / DK2 / A2 / A3
BF30D4 / DK2 / A2 / A3
BF20A2



Ref. R.O.
REC06192-ZV5-003 06192-ZV5-003

MOTORES / ENGINES / MOTORI
BF35AM
BF40B / B2 / BX / A4 / D / DK2 / A / A1 / A2 / AX / A3
BF45AM
BF50A4 / D / DK2 / A / A21 / A2 / AX / A3



Ref. R.O.
REC47-43026Q06 19021-ZW1-003

MOTORES / ENGINES / MOTORI
BF75AT
BF90AT



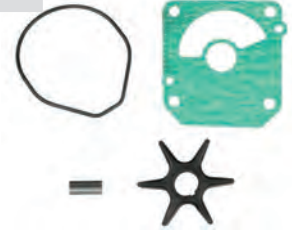
Ref. R.O.
REC06192-ZV1-305 06192-ZV1-305

MOTORES / ENGINES / MOTORI
BF75AT
BF90AT



Ref. R.O.
REC06192-ZV1-000 06192-ZV1-000

MOTORES / ENGINES / MOTORI
BF115A2 / A3
BF130A2 / A3
BF75DK0 / DK1 / A2 / A3
BF90 DK0 / DK1 / A2 / A3



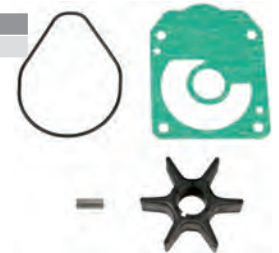
Ref. R.O.
REC06192-ZY6-000 06192-ZY6-000

MOTORES / ENGINES / MOTORI
BF115D / DK1
BF135A4 / AK2
BF150A4 / AK2



Ref. R.O.
REC06192-ZY3-000 06192-ZY3-000

MOTORES / ENGINES / MOTORI
BF175A3 / A6 / AK1 / AK2 / AK3
BF200A2 / A3 / A6 / AK1 / AK2 / AK3
BF225A2 / A3 / A6 / AK1 / AK2 / AK3



KITS REPARACIÓN COLA LOWER UNIT SEAL KITS KIT RICAMBI PIEDE

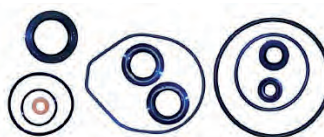
Modelo / Model / Modello	Ref.
BF9.9	REC18-8363
BF15	REC18-8362-1
BF35/45 AM	REC18-8362-1
BF40/50 A, AW, AX	REC18-8362-1
BF75	REC18-8366
BF90	REC18-8365
BF115	REC18-8365
BF130	REC18-8365



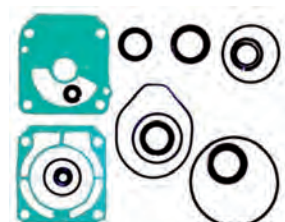
REC18-8362-1
Series 14ZV50M



REC18-8363



REC18-8365



REC18-8366

CHAVETA / KEY / CIAVETTA

Ref.	R.O.
REC90752-ZV4-650	90752-ZV4-650

MOTORES / ENGINES / MOTORI

BF8C / CX
BF9.9AM / B / AX / BX / AY
BF15AM / B / A1 / A2 / AX / B2 / BX / A3 / AY



Ref.	R.O.
REC90752-ZV7-000	90752-ZV7-000

MOTORES / ENGINES / MOTORI

BF25D4 / DK2 / A / A1 / AX / A2 / A3
BF30D4 / DK2 / A / A1 / AX / A2 / A3
BF20A / AX / A2



Ref.	R.O.
REC90752-ZW1-B02	90752-ZW1-B02

MOTORES / ENGINES / MOTORI

BF80A / BF100A
BF150A4 / AK2
BF75A1 / AV / AX / DK2 / DK3 / A2 / A3
BF90A1 / AV / AX / DK0 / DK2 / DK4 / A2 / A3
BF115A1 / A2 / A3 / AX / D / DK1
BF130A1 / A2 / A3 / AX
BF135A4 / AK2



Ref.	R.O.
REC90752-ZV5-003	90752-ZV5-003

MOTORES / ENGINES / MOTORI

BF60A / AK1
BF50A4 / D / DK2 / A / A1 / A2 / AX / A3 / AY
BF35AM
BF40B / B2 / BX / D / DK2 / A / A1 / A2 / AX / E / A3 / AY / A4
BF45AM



Ref.	R.O.
REC90752-ZY3-003	90752-ZY3-003

MOTORES / ENGINES / MOTORI

BF225A2 / A3 / A6 / AK2 / AK3
BF175A3 / A6 / AK1 / AK2 / AK3
BF200A2 / A3 / A6 / AK1 / AK2 / AK3
BF250A / AK1



RETEN CUERPO BOMBA SEAL WATER PUMP TENUTE CORPO POMPA

Ref.	R.O.
REC91252-ZV1-003	91252-ZV1-003

MOTORES / ENGINES / MOTORI

B4.5B / BX / BK2 / B4 / B6
BF5A1 / H / AK / AM / AX / AK2 / A2 / A3 / A4
BF8B1 / D1 / D2 / B2 / DK2 / D3 / D4
BF9.9DK2 / D1 / D2 / D3
BF10B1 / D1 / D4 / DK2 / B2 / D2
BF50F



Ref.	R.O.
REC91252-935-004	91252-935-004

MOTORES / ENGINES / MOTORI

BF9.9A
BF15A
BF100A / B / C / D / E / F
BF75A / B / C / D / K2 / K3 / E / F
BF15AH / AK / AM / B / A1 / A2 / AX / B2 / BX / A3 / AY
BF9.9AH / AK / AM / B / AX / BX / AY
BF6BX / D6
BF8AX / B / BX / C / CX / AH / AK / AM



JUNTA TAPÓN DRENAJE DRAIN SCREW GASKET GUARNIZIONE SCARICO

Ref.	R.O.
REC12-191833	



RETEN COLA SEAL GEARCASE TENUTE PIEDE

REF	R.O. / OEM	
GLM85170	91254-ZW1-003	Eje transmisión Drive Shaft Asse di trasmissione
GLM85160	91251-ZW1-003	Eje transmisión Drive Shaft Asse di trasmissione
REC26-76868	91252-ZW1-003	Eje hélice Prop Shaft Asse eliche
GLM85530	91255-ZW1-003	Eje hélice Prop Shaft Asse eliche
REC26-816464 1	91253-ZW1-003	Eje de cambio Shift Shaft Asse di cambio

MOTORES / ENGINES / MOTORI

BF75AT
BF90AT



GLM85170



GLM85160



REC26-76868



GLM85530



REC26-816464 1

JUNTA EJE SELECTOR O-RING DRIVE SHAFT GUARNIZIONE ASSE TRASMISSIONE

Ref.	R.O.
REC25-457101	91353-ZW1-003

MOTORES / ENGINES / MOTORI

DF75AT
DF90AT



JUNTA BOMBA AGUA WATER PUMP GASKET GUARNIZIONE POMPA ACQUA

Ref.	R.O.
REC8172761	19231-ZW1-003

MOTORES / ENGINES / MOTORI

BF75A
BF90A



Ref.	R.O.
REC19232-ZV1-A10	19232-ZV1-A10

MOTORES / ENGINES / MOTORI

BF4.5B / BX / BK2 / B2 / B4 / B6 / BK0
BF5A1 / AM / AX / AK2 / A2 / A3 / A4



Ref.	R.O.
REC19232-881-850	19232-881-850

MOTORES / ENGINES / MOTORI

BF6B / BX / D6
BF8AX / B / BX / AK / AM



Ref.	R.O.
REC19234-881-850	19234-881-850

MOTORES / ENGINES / MOTORI

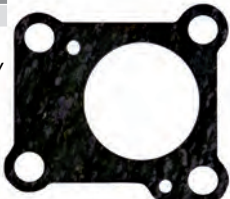
BF6B / BX / D6
BF8AX / B / BX / AK / AM



Ref.	R.O.
REC19232-ZV4-610	19232-ZV4-610

MOTORES / ENGINES / MOTORI

BF15AK / AM / B / A1 / A2 / AX / B2 / BX / A1 / A2 / A3 / AY
BF9.9AK / AM / B / AX / BX / AY
BF8C / CX



Ref.	R.O.
REC19233-ZV5-000	19233-ZV5-000

MOTORES / ENGINES / MOTORI

BF35AM
BF40B / B2 / BX / A4 / D / DK2 / A / A1 / 2 / AX / AY
BF45AM
BF25D4 / DK2 / A / A1 / AX / A2 / A3
BF30D4 / K2 / A / A1 / AX / AZ / A3
BF50A4 / D / DK2 / A / A1 / A2 / AX



Ref.	R.O.
REC27-8172771	19232-ZW1-003

MOTORES / ENGINES / MOTORI

BF75A
BF90A



Ref.	R.O.
REC27-430331	19234-ZW1-003

MOTORES / ENGINES / MOTORI

BF75A
BF90A



Ref.	R.O.
GLM30320	19242-ZW1-003

MOTORES / ENGINES / MOTORI

BF75A
BF90A



Ref.	R.O.
REC19234-ZY3-000	19234-ZY3-000

MOTORES / ENGINES / MOTORI

BF175A3 / A6 / AK1 / AK2 / AK3
BF200A2 / A3 / A6 / AK1 / AK2 / AK3
BF225A2 / A3 / A6 / AK1 / AK2 / AK3



Ref.	R.O.
REC19242-ZV5-000	19242-ZV5-000

MOTORES / ENGINES / MOTORI

BF20A / AX / A2
BF35AM
BF40B / B2 / BX / A4 / D / DK2 / A / A1 / A2 / AX / A3 / AY
BF45AM
BF25D4 / DK2 / A / A1 / AX / A2 / A3
BF50A4 / D / DK2 / A / A1 / A2 / A3 / AY
BF30D4 / DK2 / A / A1 / AX / A2 / A3



COMPONENTES TRANSMISIÓN GEAR COMPONENTS COMPONENTI TRASMISSIONE

TUERCA DIÁBOLO
NUT, GEARCASE END
DADO DIAVOLO

Ref.	R.O.
REC41109-ZV5-000	41109-ZV5-000

MOTORES / ENGINES / MOTORI

BF35AM
BF40B / B2 / BX / A4 / A / A1 / A2 / AX / A3 / AY
BF45AM
BF50A4 / A / A1 / A2 / AX / A3 / AY



EJE HÉLICE
PROPELLER SHAFT
ASSE ELICHE

Ref.	R.O.
REC41161-ZV5-000	41161-ZV5-000

MOTORES / ENGINES / MOTORI

BF35AM
BF40B / B2 / BX / A4 / A / A1 / A2 / AX / A3 / AY
BF45AM
BF50A4 / A / A1 / A2 / AX / A3 / AY



RODAMIENTO PIÑÓN AVANTE
FORWARD GEAR BEARING
CUSCINETTO PIGNONE AVANTI

Ref.	R.O.
GLM21820	91051-ZW1-003
GLM11420	91057-ZW1-003

MOTORES / ENGINES / MOTORI

BF75AT
BT90AT



GLM21820



GLM11420

RODAMIENTO DIÁBOLO
CARRIER BEARING
CUSCINETTO DIAVOLO

Ref.	R.O.
GLM11410	91053-ZW1-003

MOTORES / ENGINES / MOTORI

BF75AT
BF90AT



ARANDELA CIERRE
TAB WASHER
RONDELLA CHIUSURA

Ref.	R.O.
GLM21200	90508-ZW1-003

MOTORES / ENGINES / MOTORI

BF75AT
BF90AT



KIT TUERCA HÉLICE
PROP NUT KIT
KIT DADO ELICHE

Ref.	R.O.
GLM21271	90508-ZW1-003, 90301-ZW1-003

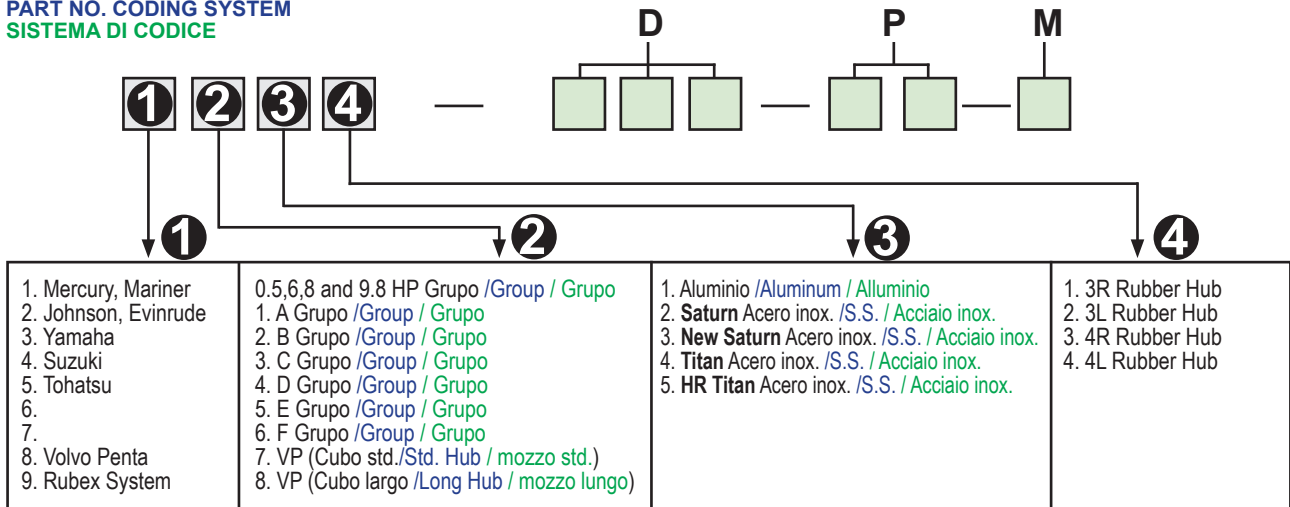
MOTORES / ENGINES / MOTORI

BF75AT
BF90AT

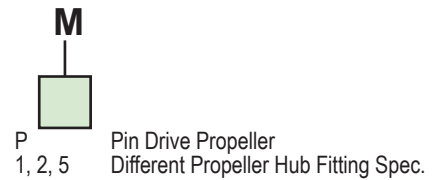
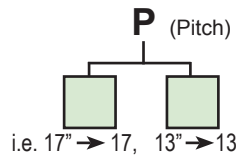
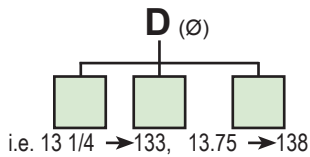


HÉLICES ALUMINO E INOXIDABLES DE 3 Y 4 PALAS 3 & 4 BLADE ALUMINUM & STAINLESS STEEL PROPELLERS ELICHE ALLUMINIO E INOX DA 3 E 4 PALE

SISTEMA CODIGO REFERENCIAS
PART NO. CODING SYSTEM
SISTEMA DI CODICE



Ejemplo / Note / Esempio



SOLAS

AMITA 3

- Helices de aluminio de 3 palas con núcleo de goma de gran resistencia.
- 3 blade aluminum propeller with heavy duty rubber hub.
- Eliche di alluminio a 3 pale con mozzi in gomma ad alta resistenza.



SOLAS

LEXOR PROPELLER

- Helices de acero inoxidable de 3 palas.
- Gran diámetro del área de las palas para barcos pesados.
- Gran rendimiento en alta velocidad sin sacrificar las velocidades medias.
- Excelente ahorro de combustible.
- Three blade stainless steel propeller.
- Large diameter and blade area for big boat loads.
- Great high speed performance without sacrificing mid-range speeds.
- Excellent fuel economy.
- Eliche di acciaio inox a 3 pale.
- Grande diametro delle pale per imbarcazioni pesanti.
- Grandi prestazioni ad alta velocità senza sacrificare velocità medie.
- Eccellente risparmio di carburante in navi al largo..



SOLAS

AMITA 4

- Helices de aluminio de 4 palas con núcleo de goma de gran resistencia.
- Van muy suaves a poca velocidad y hace el barco muy manejable con la mar picada.
- 4 Blade aluminum propeller with heavy duty rubber hub.
- Smoother low speed makes the offshore boating activity much easier.
- Eliche di alluminio a 4 pale con mozzo in gomma ad alta resistenza.
- Molto morbido a bassa velocità e rende la barca molto maneggevole con mare cattivo.



SOLAS

NEW SATURN PROP

- Helices de acero inoxidable de 3 palas.
- Ofrece buena aceleración y rendimiento.
- Tamaño más pequeño que ofrece un diámetro extragrande.
- Three blade stainless steel propeller.
- Offers good acceleration & all-round performance.
- Smaller pitch sizes offered in extra large diameter with increased blade area.
- Eliche di acciaio inox a 3 pale.
- Buona accelerazione.
- Piccole dimensione che offre un più grande diametro.



GUÍA DE HÉLICES ALUMINO E INOXIDABLES DE 3 Y 4 PALAS 3 & 4 BLADE ALUMINUM & STAINLESS STEEL PROPELLERS APPLICATION GUIDA ELICHE ALLUMINIO E INOX DA 3 E 4 PALE

HP	R.O. OEM	B	D	P	R	TIPO TYPE	ALUMINIO ALUMINIUM ALLUMINIO		INOX STAINLESS STEEL		
							AMITA 3	AMITA 4	NEW SATURN	TITAN	HR TITAN 3
BF2 Series	58130-ZV0-841ZB	3	7 1/4	6	R	Plastic	SOL6001-073-06P				
BF4		3	7 7/8	6 3/4	R	Alum	SOL6011-079-06P				
BF5		3	7 7/8	7 1/2	R	Alum	SOL6011-079-07P				
8 (01+)		3	9 1/4	7	R	Alum	SOL3111-093-07				
9.9 (88+)	58130-ZV4-703ZB	3	9 1/2	8 5/8	R	Alum	SOL3111-093-08				
15 (88+)	58130-ZV4-030ZB	3	9 1/2	9 1/2	R	Alum	SOL3111-093-09				
20 (03+)		3	9 1/4	10	R	Alum	SOL3111-093-10				
8 Estrias 8 tooth spline 8 denti		3	9 1/4	11	R	Alum	SOL3111-093-11				
25	58130-ZV7-850ZA	3	9 3/4	9 7/8	R	Alum	SOL5211-099-09				
30					R	Alum	SOL5211-099-10				
10 Estrias 10 tooth spline 10 denti	58130-ZV7-000ZA	3	9 1/4	12	R	Alum	SOL5211-099-11				
					R	Alum	SOL5211-099-12				
					R	Alum	SOL5211-099-13				
35 (91+)	58130-ZV5-860ZA	3	11 3/4	10	R	Alum	SOL3311-121-09				
40 (95+)	-				R	Alum	SOL3311-116-11				
45 (91-94)	58130-ZV5-850ZA	3	11 1/2	12	R	Alum	SOL3311-114-12				
BF40EFI	58130-ZV5-000ZA	3	11 1/4	13	R	Alum	SOL3311-111-13				
BF50EFI	58130-ZV5-870ZA	3	11 1/2	14	R	Alum	SOL3311-111-14				
BF60EFI	-				R	Alum	SOL3311-110-15				
50 (95+)	-	3	11	16	R	Alum	SOL3311-110-16				
13 Estrias 13 tooth spline 13 denti		3	11	17	R	Alum	SOL3311-110-17				
	58130-ZW1-W01ZA	3	14	11	R	Alum	SOL1411-140-11		SOL1431-140-11		
	58130-ZW1-W11ZA	3	13.75-13.25	13	R	Alum	SOL1411-138-13	SOL1413-133-13	SOL1431-138-13		
	58130-ZW1-W21ZA	3	13.75	13	L	Alum	SOL1412-138-13				
			13.5	14	R	Alum	SOL1411-135-14				
75 (1995+)	58130-ZW1-W31ZA	3	13.5-13	15	L	Alum	SOL1411-135-15	SOL1413-130-15	SOL1431-135-15		
90 (1995+)			13.5	15	R	Alum	SOL1412-135-15				
115 (1998-09)	58130-ZW1-W61ZA	3	13.25-12.75	17	L	Alum	SOL1411-133-17	SOL1413-128-17	SOL1431-133-17		
130 (1998-09)	58130-ZW1-W41ZA	3	13.25	17	R	Alum	SOL1412-133-17				
BFP60A			13-12.5	19	R	Alum	SOL1411-130-19	SOL1413-125-19	SOL1431-130-19		
	08M60-ZW7-A40	3	13-12.5	21	R	S/S	SOL1411-130-21	SOL1413-125-21	SOL1431-130-21		
15 Estrias 15 tooth spline 15 denti			14 1/2	15	R	S/S			SOL1531-145-15		
	08M60-ZW7-A00	3	14 1/4	17	R	S/S			SOL1531-143-17		
	08M60-ZW7-A10	3	14	19	R	S/S			SOL1531-140-19		
	08M60-ZW7-A20	3	14	21	R	S/S			SOL1531-140-21		
	08M60-ZW7-A30	3	14	23	R	S/S			SOL1531-140-23		
			14	25	R	S/S			SOL1531-140-25		
	58233-ZY3-A13H	3	15-14.75	15	R	S/S	SOL1511-150-15	SOL1513-148-15			
	58233-ZY3-A15H	3	15	15	L	S/S	SOL1512-150-15		SOL1532-145-15		
	58233-ZY3-A17H	3	14.8-14.5	17	R	S/S	SOL1511-148-17	SOL1513-145-17			
	58233-ZY3-B17H	3	14.8	17	L	S/S	SOL1512-148-17		SOL1532-143-17		
	58233-ZY3-A19H	3	14.5-14.25	19	R	S/S	SOL1511-145-19	SOL1513-143-19			
	58233-ZY3-B19H	3	14.5	19	L	S/S	SOL1512-145-19		SOL1532-140-19		
115 (2010+)	58233-ZY3-A21H	3	14	21	R	S/S		SOL1513-140-21			
130 (2010+)			14	23	R	S/S		SOL1513-140-23			
135 (2004+)	58233-ZY3-A22H	3	14.3	21	R	S/S	SOL1511-143-21				
150 (2004+)			14.3	21	L	S/S	SOL1512-143-21		SOL1532-140-21		
200 (2002+)	58233-ZY3-A23H	3	14.2	23	R	S/S	SOL1511-142-23				
225 (2002+)			14.2	23	L	S/S	SOL1512-142-23		SOL1532-140-23		
250 (2012+)		3	15 1/2-15 3/4	15	R				SOL1541-155-15	SOL1571-158-15	
		3	15 1/2-15 3/4	15	L				SOL1542-155-15	SOL1572-158-15	
		3	15 1/4-15 1/2	17	R				SOL1541-153-17	SOL1571-155-17	
		3	15 1/4-15 1/2	17	L				SOL1542-153-17	SOL1572-155-17	
		3	15-15 1/4	19	R				SOL1541-150-19	SOL1571-153-19	
		3	15-15 1/4	19	L				SOL1542-150-19	SOL1572-153-19	
		3	14 3/4-15	21	R				SOL1541-148-21	SOL1571-150-21	
		3	14 3/4-15	21	L				SOL1542-148-21	SOL1572-150-21	
		3	14 1/2-14 3/4	23	R				SOL1541-145-23	SOL1571-148-23	
		3	14 1/2-14 3/4	23	L				SOL1542-145-23	SOL1572-148-23	
		3	14 1/2	25	R				SOL1541-145-25	SOL1571-145-25	

B= PALAS / Blades / Pale
D= DIÁMETRO / Diametre / Diametro

R=ROTACIÓN / Rotation / Rotazione
(R) Derecha / Right / DX
(L) Izquierda / Left / SX

HONDA

RECAMBIOS
MARINOS S.L.

GUÍA DE NÚCLEOS HUB KIT APPLICATION CHAST GUIDA MOZZI INTERCAMBIABILI

SOLAS Altas prestaciones / nucleo de goma
Interchangeable with sistemas flo-torq & Vortex System.
Disponibile en acero inox y aluminio.

SOLAS High performance / Ruber Hub
Interchangeable with flo-torq & Vortex System.
Available in stainless Steel & Aluminium Propeller.

SOLAS Alte prestazioni / mozzo intercambiabile di gomma
con sistema flo-torq & Vortex System.
Disponibile in acciaio inox e alluminio.



RUBEX

MODELO MODEL MODELLO	REF. KIT	MODELO HÉLICE PROPELLER TYPE MODELLO ELICA
BF 35/45 1991-94; BF 40/50/50A (1995+) 13 Estrías / tooth spline / denti	RBX-113	C
75-90 HP (1995-1998) 13 Estrías / tooth spline / denti	RBX-102	D
75-90 HP (1999+) 115-130HP (1998+) 13 Estrías / tooth spline / denti	RBX-107	D
115-130HP (1998+) 15 Estrías / tooth spline / denti	RBX-107	D
BF135HP, 150HP, 200 / 225HP (2003+) BF250 15 Estrías / tooth spline / denti	RBX-107	E

GUÍA HÉLICES ALUMINIO PROPELLERS ALUMINUM CHART GUIDA ELICHE ALLUMINIO

Modelo / Model / Modello C 30-75 H.P. 3 PALAS / 3 BLADE / 3 PALE				
B	D	P	R	Ref.
3	12.1	9	R	SOL9311-121-09
3	12	10	R	SOL9311-120-10
3	11.6	11	R	SOL9311-116-11
3	11.4	12	R	SOL9311-114-12
3	11.1	13	R	SOL9311-111-13
3	11.1	14	R	SOL9311-111-14
3	11	15	R	SOL9311-110-15

Modelo / Model / Modello E 135-350 H.P. 3 PALAS / 3 BLADE / 3 PALE				
B	D	P	R	Ref.
3	15.5	11	R	SOL9511-155-11
3	15.3	13	R	SOL9511-153-13
3	16	13	R	SOL9511-160-13
3	15	15	R	SOL9511-150-15
3	15	15	L	SOL9511-150-15
3	14.8	17	R	SOL9511-148-17
3	14.8	17	L	SOL9511-148-17
3	14.5	19	R	SOL9511-145-19
3	14.5	19	L	SOL9511-145-19
3	14.3	21	R	SOL9511-143-21
3	14.3	21	L	SOL9511-143-21

Modelo / Model / Modello D 40-14 H.P. 3 PALAS / 3 BLADE / 3 PALE				
B	D	P	R	Ref.
3	14	9	R	SOL9411-140-09
3	14	11	R	SOL9411-140-11
3	13.75	13	R	SOL9411-138-12
3	13.5	15	R	SOL9411-135-15
3	13.25	17	R	SOL9411-133-17
3	13.2	19	R	SOL9411-132-19
3	13.2	21	R	SOL9411-132-21

RUBEX



Helice de aluminio con núcleo intercambiable (no incluido).
Aluminium interchangeable hub propellers (not included).
Eliche in alluminio con mozzo intercambiabile (non incluso).

GUÍA HÉLICES INOX. STAINLESS STEEL PROPELLERS APPLICATION CHART GUIDA ELICHE INOX

Modelo / Model / Modello **C** 30-75 H.P. 3 PALAS / 3 BLADE / 3 PALE

B	D	P	R	Ref.
3	11 5/8	11	R	SOL9331-116-11
3	11 3/8	12	R	SOL9331-114-12
3	11 1/8	13	R	SOL9331-111-13
3	11 1/8	14	R	SOL9331-111-14
3	11	15	R	SOL9331-110-15

Modelo / Model / Modello **D** 40-14 H.P. 3 PALAS / 3 BLADE / 3 PALE

B	D	P	R	Ref.
3	13 3/4	13	R	SOL9431-138-13
3	13 3/4	13	L	SOL9432-138-13
3	13 1/2	15	R	SOL9431-135-15
3	13 1/2	15	L	SOL9432-135-15
3	13 1/4	17	R	SOL9431-133-17
3	13 1/4	17	L	SOL9432-133-17
3	13	19	R	SOL9431-130-19
3	13	19	L	SOL9432-130-19
3	13	21	R	SOL9431-130-21

Modelo / Model / Modello **E** 90-140 H.P. 3 PALAS / 3 BLADE / 3 PALE

B	D	P	R	Ref.
3	14 1/2	15	R	SOL9531-145-15
3	14 1/2	15	L	SOL9532-145-15
3	14 1/4	17	R	SOL9531-143-17
3	14 1/4	17	L	SOL9532-143-17
3	14	19	R	SOL9531-140-19
3	14	19	L	SOL9532-140-19
3	14	21	R	SOL9531-140-21
3	14	21	L	SOL9532-140-21
3	14	23	R	SOL9531-140-23
3	14	23	L	SOL9532-140-23

Modelo / Model / Modello **E** 135-350 H.P. 3 PALAS / 3 BLADE / 3 PALE

B	D	P	R	Ref.
3	15 3/4	15	R	SOL9571-158-15
3	15 3/4	15	L	SOL9572-158-15
3	15 1/2	17	R	SOL9571-155-17
3	15 1/2	17	L	SOL9572-155-17
3	15 1/4	19	R	SOL9571-153-19
3	15 1/4	19	L	SOL9572-153-19
3	15	21	R	SOL9571-153-21
3	15	21	L	SOL9572-153-21
3	14 3/4	23	R	SOL9571-148-23
3	14 3/4	23	L	SOL9572-148-23
3	14 1/2	25	R	SOL9571-145-25
3	14 1/2	25	L	SOL9572-145-25

RUBEX



Helice de acero inox. con núcleo intercambiable (no incluido).
Stainless steel interchangeable hub propellers (not included).
Eliche di acciaio inox con mozzo intercambiabile (nonn incluso).

HONDA

ÍNDICE

SISTEMA ALIMENTACIÓN Y FILTRACIÓN	PÁG
CONECTORES COMBUSTIBLE	318
FILTROS DE COMBUSTIBLE	318
CARBURADOR	344
JUNTAS ADMISIÓN	343
MEMBRANAS BOMBA COMBUSTIBLE	344
JUNTAS BOMBA COMBUSTIBLE	345
SISTEMA ELÉCTRICO	PÁG
DESCONECTADORES DE SEGURIDAD	321
MOTORES DE ARRANQUE	320
MOTORES DE TRIM Y POWER TRIM	320
SISTEMA DE ENCENDIDO	PÁG
BOBINAS	321
BUJIAS CHAMPION	322
BUJIAS NGK	322
SISTEMA DE REFRIGERACIÓN	PÁG
IMPULSORES	345
PLACA BOMBA DE AGUA	345-346
JUNTAS DE COLA	345
TERMOSTATO	345
PARTES DE MOTOR	PÁG
DESPIECE DE MOTOR	323-327
DESPIECE MOTOR MFS8 / MFS9.8 HP	328-339
PISTONES, AROS Y RODAMIENTOS	340-341
JUNTAS BASE DE MOTOR	342
JUNTAS DE CULATA	341
JUNTAS ESCAPE	343
COLAS Y COMPONENTES	PÁG
ÁNODOS ZINC Y ALUMINIO	318-320
RETENES ACEITE	343
HÉLICES Y GUIA DE APLICACIÓN	347-349
FILTROS ACEITE	318
JUNTAS BOMBA AGUA	345
GUÍA PIEZAS COLA	346
GUÍA DE MANTENIMIENTO	346

TABLE OF CONTENTS

FUEL & FILTRATION SYSTEM	PAGE
FUEL FITTINGS	318
FUEL FILTERS	318
CARBURETOR	344
ADMISION GASKET	343
FUEL PUMP DIAPHRAGMS	344
FUEL PUMP GASKETS	345
ELECTRIC SYSTEM	PAGE
CUT OFF SWITCHES	321
STARTERS	320
TRIM & POWER TRIM	320
IGNITION SYSTEM	PAGE
COILS	321
CHAMPION SPARK PLUGS	322
NGK SPARK PLUGS	322
COOLING SISTEM	PAGE
IMPELLERS	345
PLATE WATER PUMP	345-346
DRIVE GASKET	345
THERMOSTAT	345
ENGINE PARTS	PAGE
ENGINE PARTS	323-327
MFS8 / MFS9.8 HP ENGINE PARTS	328-339
PISTONS, RINGS AND BEARINGS	340-341
GASKET ENGINE HOLDER	342
GASKETS CYLINDER HEAD	341
EXHAUST GASKET	343
UNIT DRIVES & COMPONENTS	PAGE
ZINC & ALUMINIUM ANODES	318-320
OIL SEALS	343
PROPELLERS & APLICATION GUIDE	347-349
OIL FILTER	318
WATER PUMP GASKET	345
GEAR COMPONENTS	346
MANITENANCE GUIDE	346

INDICE

SISTEMA DI ALIMENTAZIONE E FILTRAZIONE	PAGINA
ATTACCO BENZINA	318
FILTRI BENZINA	318
CARBURATORE	344
GUANIZIONE ASPIRAZIONE	343
MEMBRANA POMPA BENZINA	344
GUARNIZIONE POMPA BENZINA	345
SISTEMA ELECTRICO	PAGINA
CHIAVETTA DI SICUREZZA	321
MOTORINI AVVIAMENTO	320
MOTORINI TRIM E TRIM POWER	320
SISTEMA DI ACCENSIONE	PAGINA
BOBINE	321
CANDELE CHAMPION	322
CANDELE NGK	322
SISTEMA DI RAFFREDDAMENTO	PAGINA
GIRANTE	345
PIASTRA POMPA ACQUA	345-346
GUARNIZIONI PIEDI	345
TERMOSTATO	345
PARTI DEL MOTORE	PAGINA
PARTI DEL MOTORE	323-327
PARTI MOTORE MFS8 / MFS9.8 HP	328-339
PISTONE, FASCE E CUSCINETTI	340-341
GUARNIZIONI BASE MOTORI	342
GUARNIZIONE TESTATA	341
GUANIZIONE SCARICO	343
PIEDI E COMPONENTI	PAGINA
ANODI ZINCO E ALLUMINIO	318-320
PARAOLIO	343
ELICHE E GUIDA APPLICAZIONE	347-349
FILTRI OLIO	318
GUARNIZIONE POMPA ACQUA	345
COMPONENTE TRASMISSIONE	346
GUIDA DI MANUTENZIONE	346

CONECTOR COMBUSTIBLE FUEL CONNECTOR ATTACCO COMBUSTIBILE

Ref.	R.O. OEM	Rosca Thread Passo	Tiempos Strokes Tempi	Envase (x blister) Pack (x skinpack) Qnt (x Blister)
GS31088	3B2-702501M	3/8"	2 (5 - 90HP)	1
GS31016	3B2-702810M	3/8"	2 (5 - 90HP)	1
GS31019	99998-0MA2	1/4" NPT	2 / 4	1
GS31015	394-702500M	3/8"	4	1
GS31017		1/4" NPT	2 (5 - 90HP)	1
GS31018	3B2-702601M	métrica	2 (5 - 90HP)	1



GOLDENSHIP



GS31088



GS31016



GS31019



GS31015



GS31017



GS31018

FILTROS COMBUSTIBLE FUEL FILTERS FILTRI BENZINA

Ref.	R.O.
PAF4-05000300	369-02230-0

MOTORES / ENGINES / MOTORI
2T / Strokes M5-M9.8HP
4T / Strokes MFS4 - MFS30 HP



FILTRO COMBUSTIBLE EN LÍNEA INLINE FUEL FILTER FILTRO COMBUSTIBILE IN LINEA

Ref.	Ø Manguera / Ø Hose / Ø Tubo
REC40145	1/4"
REC40155	5/16"
REC40165	3/8"
REC40135	5/16" Entrada In Entrata 3/8" Salida Out Uscita

De plástico / Plastic / In plastica



FILTROS ACEITE OIL FILTERS FILTRI OLIO

Ref.	R.O.
REC5GH-13440-00	3R3R76150M, 3R0-07615-0

MOTORES / ENGINES / MOTORI
4T / Strokes 9.9 - 30 HP



ÁNODOS ANODES ANODI

Ref.	R.O.		Peso Weight Peso
CM3C760-2181	3C7760-2181	Cinc / Zinc / Zinco	0,51 kg
CM3C760-2181A	3C7760-2181	Aluminio / Aluminium / Alluminio	0,21 kg

MOTORES / ENGINES / MOTORI
60, 70, 90, 120, 140 HP



Ref.	R.O.		Peso Weight Peso
CM3B7-60218-0	3B7-60218-1	Cinc / Zinc / Zinco	0,51 kg

MOTORES / ENGINES / MOTORI
Serie MEGA



Ref.	R.O.		Peso Weight Peso
CM5338602182A0	5338602182A0	Cinc / Zinc / Zinco	0,21 kg
CM5338602182A0A	5338602182A0	Aluminio / Aluminium / Alluminio	0,08 kg



Ref.	R.O.		Peso Weight Peso
CM3H6-60218-000	3H6-60218-0	Cinc / Zinc / Zinco	0,03 kg
CM3H6-60218-000A	3H6-60218-0	Aluminio / Aluminium / Alluminio	0,01 kg



Ref.	R.O.		Peso Weight Peso
CM3V1-60217-0	3V1602170	Cinc / Zinc / Zinco	0,10 kg
CM3V1-60217-0A	3V1602170	Aluminio / Aluminium / Alluminio	0,04 kg



Ref.	R.O.	Peso Weight Peso
CM3M2-60218-1	3M2-60218-0 Cinc / Zinc / Zinco	0,05 kg

MOTORES / ENGINES / MOTORI
40, 140 HP



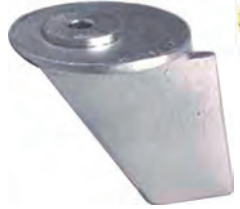
Ref.	R.O.	Peso Weight Peso
CM33860-2181	338-60218-2 Cinc / Zinc / Zinco	0,10 kg

MOTORES / ENGINES / MOTORI
2,5, 3,5, 5, 6, 8 HP
15, 18, -S MAXI 25, 40 CORSA



Ref.	R.O.	Peso Weight Peso
CM348-60217-0M	348-60217-0 Cinc / Zinc / Zinco	0,12 kg

MOTORES / ENGINES / MOTORI
Serie MAXI CORSA
25-40 HP



Ref.	R.O.	Peso Weight Peso
CM3C8-60217-0	3C8-60217-1 Cinc / Zinc / Zinco	0,15 kg

MOTORES / ENGINES / MOTORI
Serie MEGA
25-50 HP



Ref.	R.O.	Peso Weight Peso
CM3B7-602170	3B7-60217-0 Cinc / Zinc / Zinco	0,15 kg

MOTORES / ENGINES / MOTORI
60, 70, 90, 120, 140 HP



Ref.	R.O.	Peso Weight Peso
TEN01252	348-60217-0 Cinc / Zinc / Zinco	0,120 kg

MOTORES / ENGINES / MOTORI
Serie MAXI CORSA 25 - 40 HP



Ref.	R.O.	Peso Weight Peso
TEN01250	338-60218-2 Ø 20 mm	0,010 kg
TEN01251	369-60218-1 Ø 24 mm	0,020 kg

MOTORES / ENGINES / MOTORI
Serie 2,5, 3,5, 5, 6, 8 HP
15 - 18-S MAXI-25 - 40 CORSA



Ref.	R.O.	Peso Weight Peso
TEN01253	3C8-60217-1 Cinc / Zinc / Zinco	0,150 kg

MOTORES / ENGINES / MOTORI
Serie MEGA 25 - 50 HP



Ref.	R.O.	Peso Weight Peso
TEN01254	3C7-60218-2 Cinc / Zinc / Zinco	0,510 kg

MOTORES / ENGINES / MOTORI
Serie 60 - 70 - 90 - 120 - 140 - 150 HP



Ref.	R.O.	Peso Weight Peso
TEN01255	3B7-60217-0 Cinc / Zinc / Zinco	0,320 kg

MOTORES / ENGINES / MOTORI
Serie 60 - 70 - 90 - 120 - 140 HP



Ref.	R.O.	Peso Weight Peso
TEN01256	3B7-60218-1 Cinc / Zinc / Zinco	0,040 kg

MOTORES / ENGINES / MOTORI
Serie MEGA



Ref.	R.O.	Peso Weight Peso
TEN01257	3M2-60218-0 Cinc / Zinc / Zinco	0,050 kg

MOTORES / ENGINES / MOTORI
Serie 40 - 140 HP



Ref.	R.O.	Peso Weight Peso
TEN01258	5338602182A0 Cinc / Zinc / Zinco	0,020 kg



Ref.	R.O.	Peso Weight Peso
TEN01259	3H6-60218-0 Cinc / Zinc / Zinco	0,030 kg



Ref.	R.O.	Peso Weight Peso
TEN01260	3B7-60217-0 Cinc / Zinc / Zinco	0,150 kg

MOTORES / ENGINES / MOTORI
Serie 140 HP



MOTORES DE ARRANQUE STARTERS MOTORINI AVVIAMENTO

Ref.	R.O.	Tiempos / Strokes / Tempi
PH130-0061	350-76010-0	2 / 4

MOTORES / ENGINES / MOTORI
M15D2 / M18E2 / M8B / M9.8B / M9.9D2
MFS8A2 / MFS9.8A2



Ref.	R.O.	Tiempos / Strokes / Tempi
PH130-0006	3C8-76010-1	2 / 4

MOTORES / ENGINES / MOTORI
M40D2 / MD40B2 / M50D2 / MD50B2 / M70C
MFS9.9B2-C / 15B2-C / 18B2 / 20C / 25A-B / 30B



Ref.	R.O.	Tiempos / Strokes / Tempi
PH130-0048	353-76010-4	

MOTORES / ENGINES / MOTORI
MD70B - 90B - 115A-A2 / 120A2 / 140A2
9 Dientes / Tooth / Denti



Ref.	R.O.	Tiempos / Strokes / Tempi
PH130-0080	346-76010-0, 346-76010-0A0/-OM	2

MOTORES / ENGINES / MOTORI
M25C3 / M30A4 / M40C



MOTORES TRIM TRIM ENGINES MOTORINI TRIM

Ref.	R.O.
PH200-T024	

MOTORES / ENGINES / MOTORI

V4, V6 (1990-03)
Motor trim 3 tornillos - 2 cables
Trim motor 3 bolts - 2 wires
Motorino Trim 3 viti - 2 cavi



INSTALACIÓN ELÉCTRICA WIRING HARNESS ISTALLAZIONE ELETTRICA

Ref.	R.O.
PH200-WH01	

Sustituye de 2 a 3 cables.
Converts 3-wire Tilt and Trim motors to 2-Wire design
Sustituisce da 2 a 3 cavi.



TRIM COMPLETO COMPLETE TRIM ASSEMBLY MOTORINO TRIM COMPLETO

Ref.	R.O.
SIE18-6865	

MOTORES / ENGINES / MOTORI

3 RAM
115-225HP



DESCONECTORES DE SEGURIDAD CUT OFF SWITCHES CHIAVETTA DI SICUREZZA

Ref.	R.O.
REC369-0682-0	398-06830-0

MOTORES / ENGINES / MOTORI

4 - 40 HP



CDI

Ref.	R.O.
REC3F0-06060-0	3F0-06060-0

MOTORES / ENGINES / MOTORI

M2.5A2
B3.5A2-B2



Ref.	R.O.
REC3G2-06060-2	3G2-06060-2

MOTORES / ENGINES / MOTORI

M9.9D2
B15D2
M18E2



Ref.	R.O.
PAF8-05000400	3AA-06060-00

MOTORES / ENGINES / MOTORI

MFS8
BFS9.8



Ref.	R.O.
REC353-06260-0	353-06260-2, 363-06060-0 353-06260-0

MOTORES / ENGINES / MOTORI

45A2
55B
60A
75A2



Ref.	R.O.
REC3A106-2602M	3A106-2402M, 3A106-2601M 3A106-2602M

MOTORES / ENGINES / MOTORI

25C2
30A3
40C



BOBINAS COILS BOBINE

Ref.	R.O.
PAF8-05000500	3V1-06040-0

MOTORES / ENGINES / MOTORI

MFS8 / MFS9.8 HP

Alta presión
High pressure
Alta pressione



Ref.	R.O.
PAF8-05000300	3AA-06021-0

MOTORES / ENGINES / MOTORI

MFS8 / MFS9.8 HP



Ref.	R.O.
REC3G3-06021-1	3G3-06021-1

MOTORES / ENGINES / MOTORI

M9.9D2 / M15D2 / M18E2
M25C3 / M30A4



Ref.	R.O.
REC369-06021-0	369-06021-0

MOTORES / ENGINES / MOTORI

M4C
M5B-BS



BOBINA DE PULSACIÓN COIL PULSER BOBINE ACCENSIONE

Ref.	R.O.
PAF8-05000200	3V1-06071-0

MOTORES / ENGINES / MOTORI

MFS8 / MFS9.8 HP

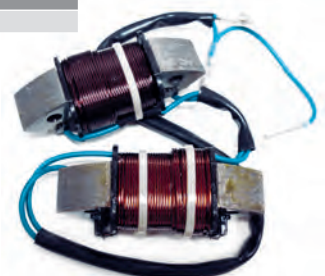


BOBINA DE CARGA COIL CHARGER BOBINE DI CARICA

Ref.	R.O.
PAF8-05090000W	3V1-06023-0

MOTORES / ENGINES / MOTORI

MFS8 / MFS9.8 HP



BOBINA DE IGNICIÓN COIL IGNITION BOBINE INIEZIONE

Ref.	R.O.
REC3A0-06040-1	3A0-06040-1

MOTORES / ENGINES / MOTORI

M25C3
M30A4



Ref.	R.O.
REC3G2-06040-2	3G2-06040-2

MOTORES / ENGINES / MOTORI

M9.9D2
M15D2
M18E2



SENSOR PRESIÓN ACEITE OIL PRESSURE SENSOR SENSORE PRESSIONE OLIO

Ref.	R.O.
PAF15-07010100	3H6-07611-0

MOTORES / ENGINES / MOTORI

MFS4 - MFS40 HP



BUJÍAS CHAMPION SPARK CHAMPION CANDELE CHAMPION

Potencia HP Power HP Potenza HP	Ref CHAMPION
2 Tiempos / Stroke / Tempi	
3.5HP M3.5A, M3.5B	CHAL87YCC
5HP M5B, M5BS	CHAL82YC
6HP M6B	CHAL82YC
8HP M8A, M8B 2Cil.	CHAL82YC
9.9HP M9.9B2, M9.9C 2Cil.	CHAL82C
9.8-12HP B18C, B18D	CHAL86C
12HP M12B	CHAL82C
15HP M15A, M15B2, M15C, M15D 2Cil.	CHAL82C
16HP M16	CHAL82C
18HP M18A, M18C2, M18D, M18E 2Cil.	CHAL82C
20HP M20	CHAL82C
20-25HP B40A, B30C	CHAL86C
25HP M25C, M25C2 2Cil.	CHAL82C
30HP M30A, M30A3 2Cil.	CHAL82C
35HP M35A	CHAL82YC
40HP M40C 2Cil., M40D 3Cil.	CHAL82YC
50HP M50C, M50D 3Cil.	CHAL78C
70HP M70A, M70A2, M70B 3Cil.	CHAL78C
90HP M90A 3Cil.	CHAL78C
115HP M115A 4Cil.	CHAL78C
140HP M140A 4Cil.	CHAL78C
4 Tiempos / Stroke / Tempi	
4 HP MFS4, OHV	CHARA8HC
5 HP MFS5A, OHV	CHARA8HC
5 HP MFS5C, OHV	CHARA8HC
9.9 HP MFS9.9A, OHV	CHARA8HC
15 HP MFS15A, OHV	CHARA8HC

CHAMPION



BUJÍAS NGK SPARK NGK CANDELE NGK

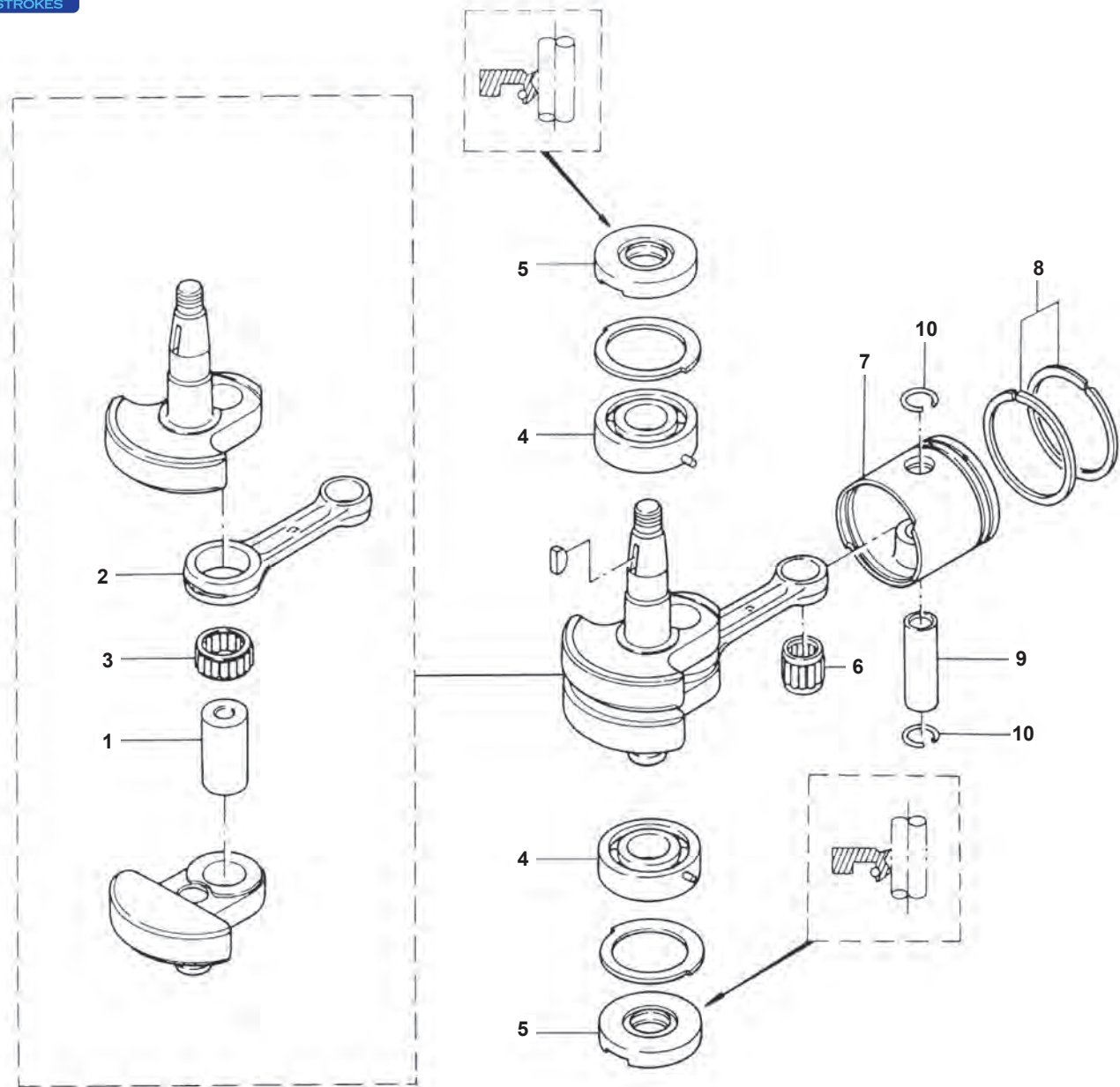


Potencia HP Power HP Potenza HP	Ref NGK
2 Tiempos / Stroke / Tempi	
2.5 HP M2.5A 75cc	NGKBPR6HS
3.5 HP M3.5A/M3.5B 75cc	NGKBPR6HS
4 HP M4C	NGKBPR7HS
5 HP B13B, B9B	NGKBR6HS
5 HP M5B, M5BS	NGKBPR7HS-10
6 HP M6B	NGKBPR7HS
8 HP M8A, M8B 169cc	NGKBPR5HS
8 HP Proof 8 BEF, 169cc	NGKBPR7HS
8 HP B13B, B9B	NGKBPR6HS
9.8 HP B18C, B18D	NGKBPR6HS
9.9 HP M9.9B2/M9.9C	NGKBPR7HS
12 HP M12B	NGKBPR7HS-10
12 HP B18C, B18D	NGKBPR6HS
13 HP M13	NGKBPR7HS-10
15 HP M15A/M15B2/M15C/M15D	NGKBPR7HS-10
16 HP M16	NGKBPR7HS-10
18 HP M18A/M18C2/M18D/M18E 294cc	NGKBPR7HS-10
20 HP M20	NGKBPR7HS-10
20 HP B40A, B30C	NGKBPR7HS-10
25 HP Proof 25C2 430cc	NGKBPR7HS-10
25 HP M25C, M25C2	NGKBPR7HS-10
25 HP B40A, B30C	NGKBPR7HS-10
30 HP M30A/M30A3 400cc	NGKBPR7HS-10
35 HP M35A	NGKBPR7HS
40 HP MD40B TLDI	NGKPZFR6H
40 HP M40D2 697cc	NGKBPR7HS
40 HP Proof 40D Mega 697cc	NGKB8HS-10
40 HP Proof 40D Mega 697cc EFTO	NGKB8HS-10
40 HP M40D Mega EPTO 697cc	NGKBR7HS
40 HP M40C 493cc	NGKBPR6HS-10
40 HP MD40A TLDI	NGKZFR6F-11
50 HP 697cc	NGKB8HS-10
50 HP MD50A TLDI	NGKZFR6F-11
50 HP MD50B TLDI	NGKPZFR6H
50 HP W50	NGKPZFR6H
50 HP M50C/M50D	NGKB8HS-10
55 HP M55A/B	NGKB8HS-10
60 HP 938cc M60A/M60B/M60C	NGKB8HS-10
70 HP MD70A 2 TLDI	NGKZFR6F-11
70 HP MD70B TLDI	NGKIZFR5J
70 HP 938cc M70A/M70A2/M70B	NGKB8HS-10
80 HP M80A	NGKB8HS-10
90 HP 1267cc M90A	NGKB8HS-10
90 HP MD90B TLDI	NGKIZFR5J
90 HP MD90A TLDI	NGKZFR6F-11
90 HP MD90A 2 TLDI	NGKZFR6F-11
115 HP MD115A TLDI	NGKIZFR5J
115 HP M115A/A2	NGKB8HS-10
120 HP 1768cc M120A	NGKB8HS-10
140 HP 1768cc M140A	NGKB8HS-10
4 Tiempos / Stroke / Tempi	
2.5 MFS 2.5A	NGKDCPR6E
3.5 MFS 3.5A	NGKDCPR6E
4 MFS 4A	NGKDCPR6E
5 MFS 5A	NGKDCPR6E
6 MFS 6A	NGKDCPR6E
8 MFS 8A	NGKDCPR6E
9.8 MFS 9.8A	NGKDCPR6E
9.9 MFS 9.9A/B	NGKDCPR6E
15 MFS 15A/B/B2	NGKDCPR6E
18 MFS 18B4/18B	NGKDCPR6E
25 MFS 25A	NGKDCPR6E
30 MFS 30A	NGKDCPR6E

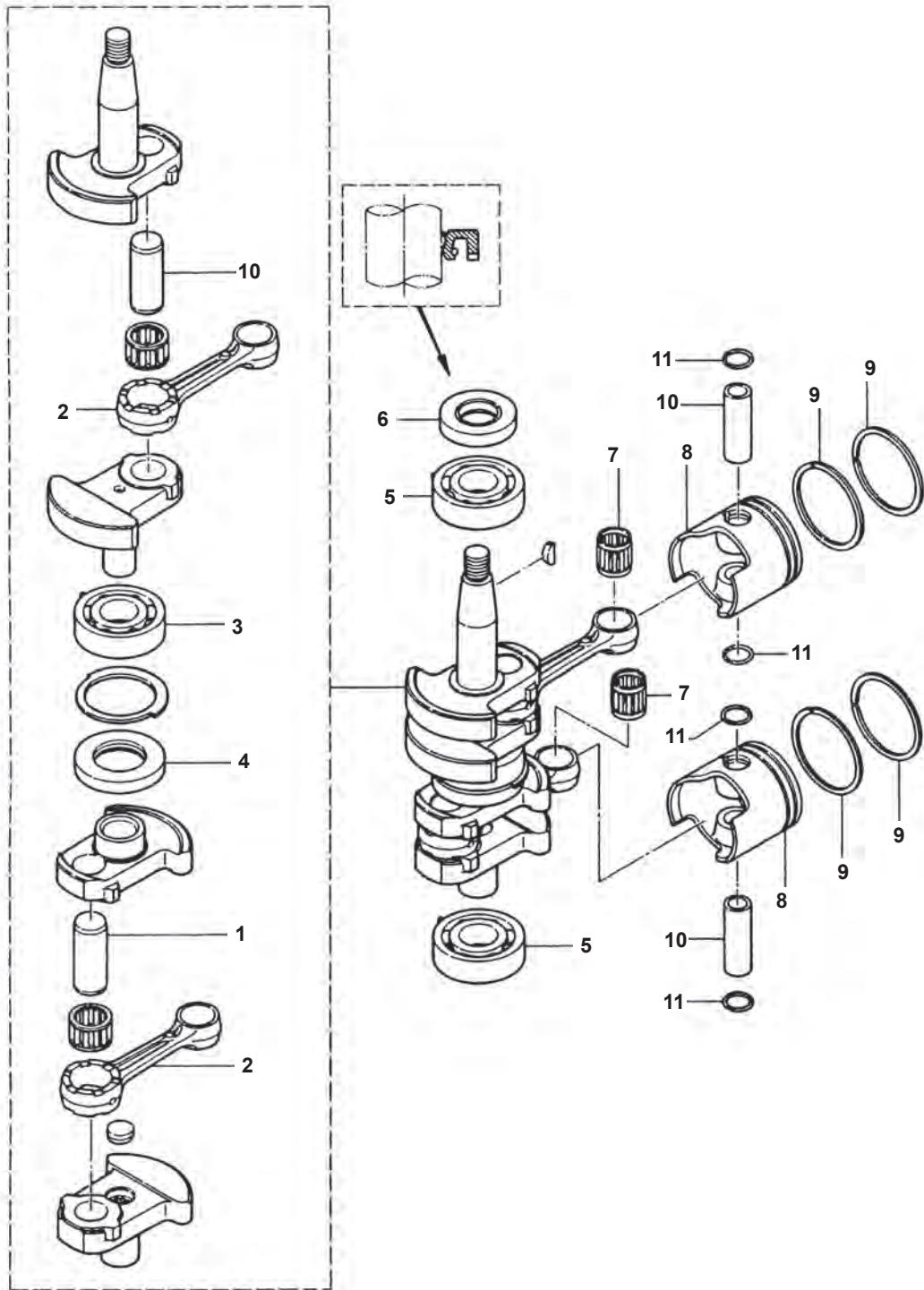
BLOQUE MOTOR ENGINE BLOCK BLOCCO MOTORE



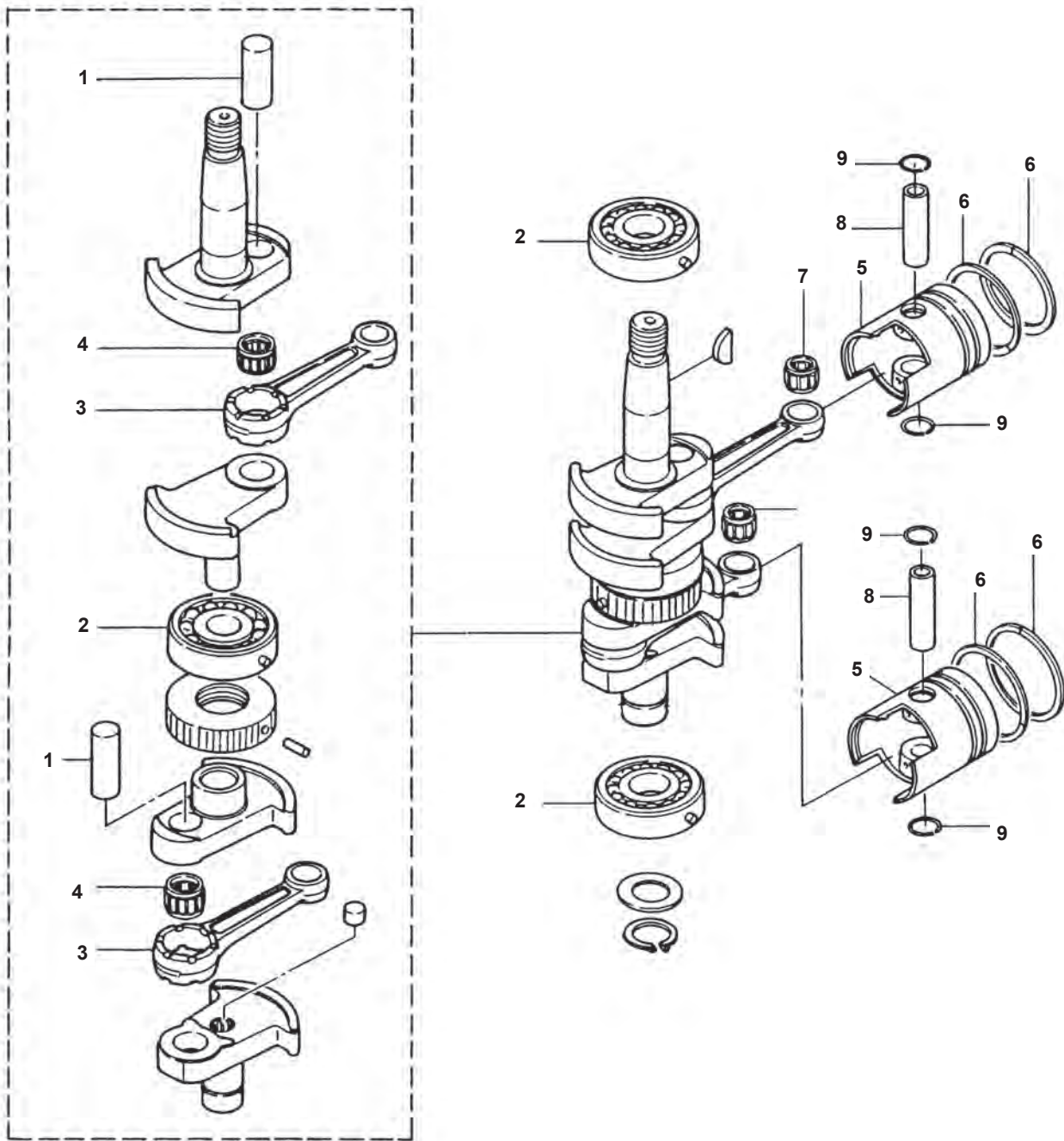
M4C / M5B / M5BS



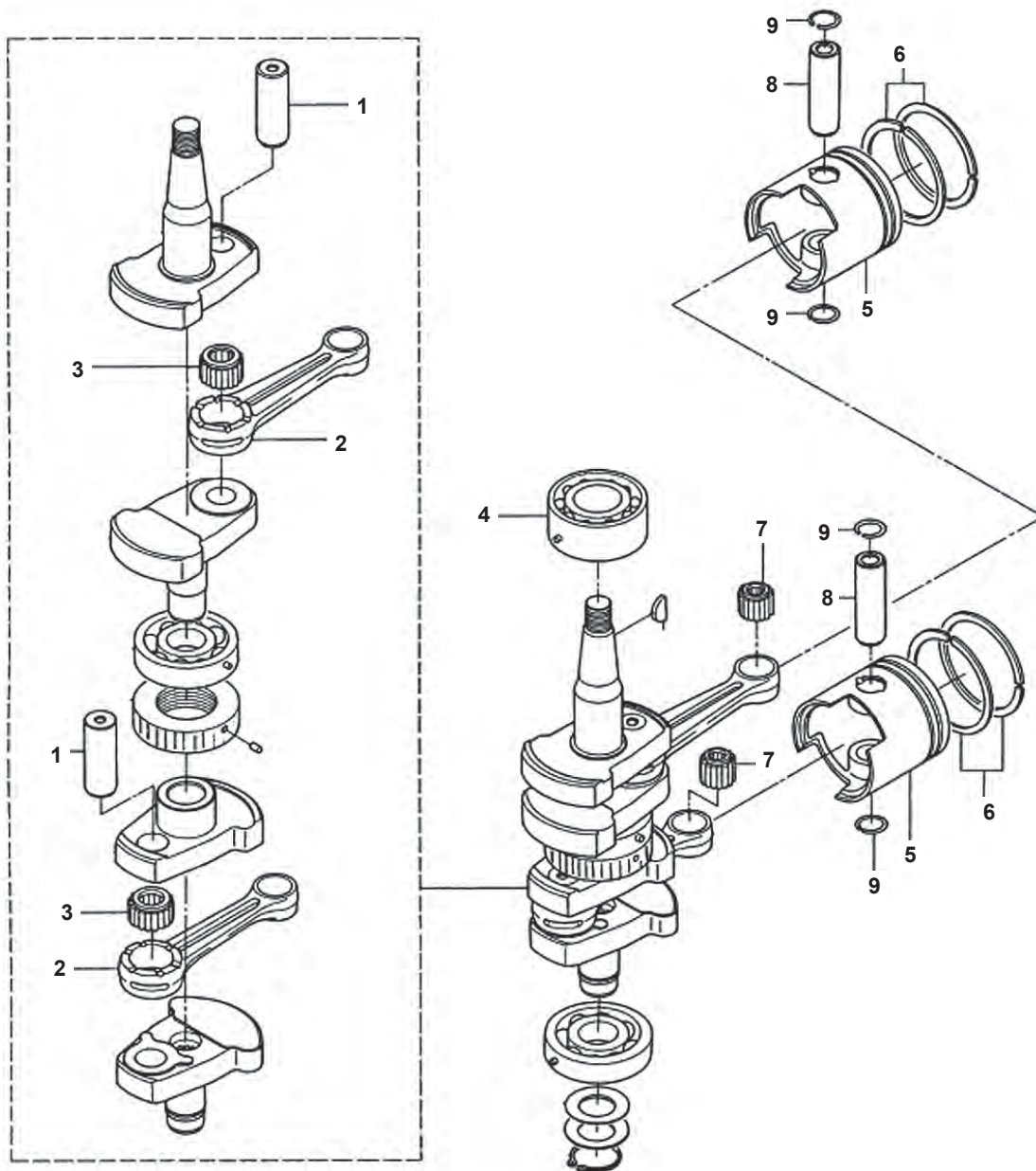
Nº	R.O. OEM	Ref.	Descripción	Description	Descrizione	Cantidad Quantity Quantità
1	369-00061-0	REC813046002	PIN	CRANK PIN	SPINOTTO	1
2	369-0040-0	REC629-813047	BIELA	CONNECTING ROD	BIELLA	1
3	369-00043-0	REC31-813048	COJINETE DE AGUJA	NEEDLE BEARING	CUSCINETTO	1
4	9603-3-6204	REC30-16049	RODAMIENTO	BALL BEARING	CUSCINETTO	2
5	369-00122-0	REC26-16051	RETÉN ACEITE	OIL SEAL	PARALIO	2
6	350-00042-0	REC31-16052	COJINETE DE AGUJA	NEEDLE BEARING	CUSCINETTO	1
7	369-00001-0	REC779-9615T	PISTÓN STD	PISTON STD	PISTONE STD	1
8	351-00011-0	REC8M0080357	AROS	PISTON RING	FASCE	2
9	369-00021-0	REC41-16056	PIN	PISTON PIN	SPINOTTO	1
10	350-00024-1	REC53-16057	CLIP	CLIP	CLIP	2



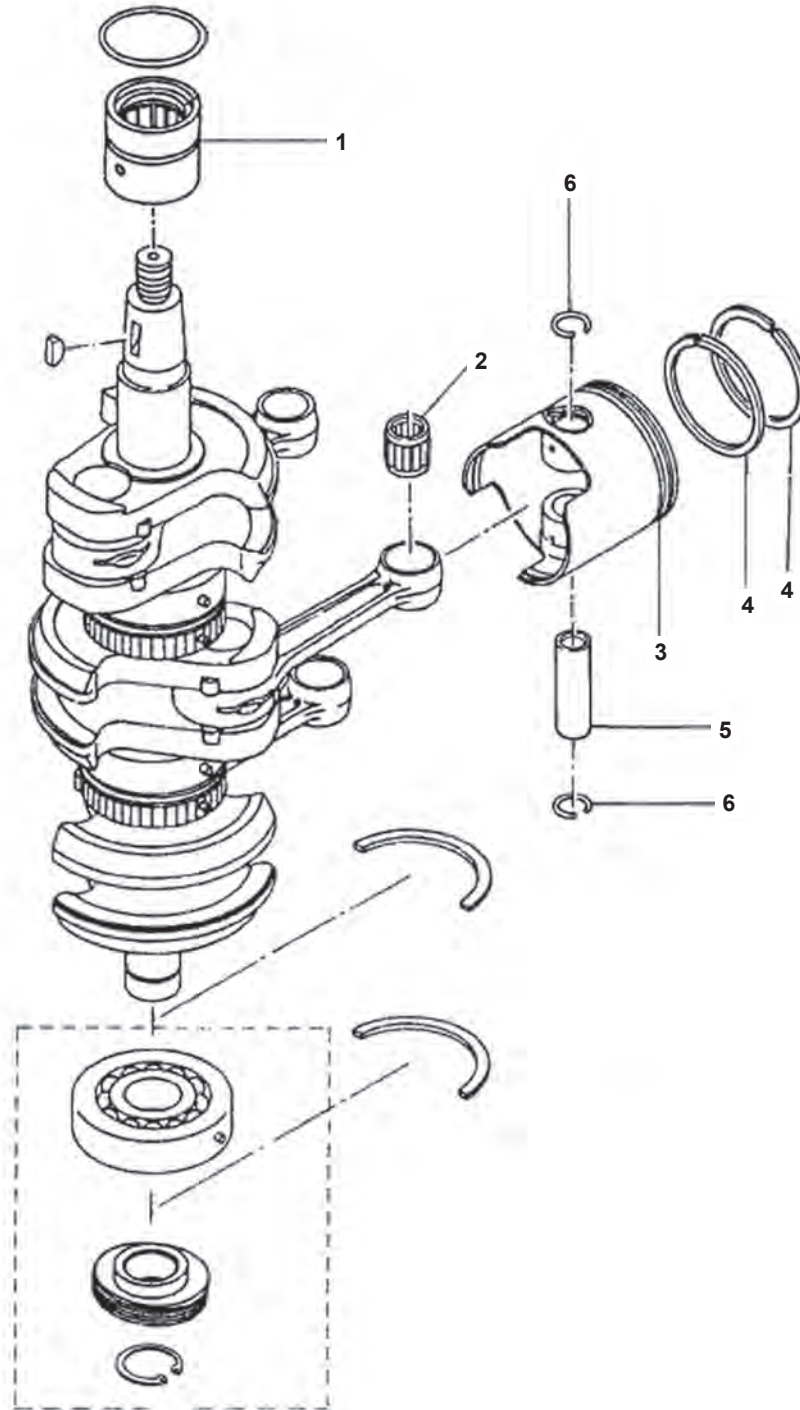
Nº	R.O. OEM	Ref.	Descripción	Description	Descrizione	Cantidad Quantity Quantità
1	3B2-0061-0	REC803671	PIN	CRANK PIN	SPINOTTO	2
2	3B2-00040-0	REC629-8036741	BIELA	CONNECTING ROD	BIELLA	2
3	9603-3-6204	REC30-16049	RODAMIENTO	BALL BEARING	CUSCINETTO	1
4	3B2-00051-0	REC26-85370711	RETÉN ACEITE	OIL SEAL	PARALIO	1
5	9603-3-6204	REC30-16049	RODAMIENTO	BALL BEARING	CUSCINETTO	2
6	101-00121-0	REC25-803514	RETÉN ACEITE	OIL SEAL	PARALIO	1
7	338-00042-0	REC31-8036752	COJINETE DE AGUJA	NEEDLE BEARING	CUSCINETTO	2
8	3B2-00001-0	REC779-804886	PISTÓN STD	PISTON STD	PISTONE STD	2
9	3B2-00011-0	REC39-803678A3	AROS	PISTON RING	FASCE	4
10	3B2-00021-0	REC41-8036801	PIN	PISTON PIN	SPINOTTO	2
11	350-00024-1	REC53-16057	CLIP	CLIP	CLIP	2



Nº	R.O. OEM	Ref.	Descripción	Description	Descrizione	Cantidad Quantity Quantità
1	350-00061-0	REC803673	PIN	CRANK PIN	SPINOTTO	2
2	96603-3-6305	REC30-160494	RODAMIENTO	BALL BEARING	CUSCINETTO	3
3	350-00040-0	REC629-803674	BIELA	CONNECTING ROD	BIELLA	2
4	3G4-00043-0	REC31-803675	COJINETE DE AGUJA	NEEDLE BEARING	CUSCINETTO	2
5	350-00001-1	REC779-803677T02	PISTÓN STD, 18 HP	PISTON STD	PISTONE STD	1
	351-00001-1	REC779-803677	PISTÓN STD	PISTON STD	PISTONE STD	1
6	350-00011-0	REC39-803678A1	AROS	PISTON RING	FASCE	2
	351-00011-0	REC8M0080357	AROS	PISTON RING	FASCE	2
7	350-00042-0	REC31-16052	COJINETE DE AGUJA	NEEDLE BEARING	CUSCINETTO	1
8	350-00021-0	REC41-803680002	18HP PIN	PISTON PIN	SPINOTTO	2
	332-00021-0	REC41-825713002	9.9/15 HP PIN	PISTON PIN	SPINOTTO	
9	350-00024-1	REC53-16057	CLIP	CLIP	CLIP	4
	334-00131-0		CHAVETA	KEY, MAGNETO	CHIAVETTA	



Nº	R.O. OEM	Ref.	Descripción	Description	Descrizione	Cantidad Quantity Quantità
1	334-00061-0	REC8130461	PIN	CRANK PIN	SPINOTTO	2
2	336-00040-1	REC629-813047T01	BIELA	CONNECTING ROD	BIELLA	2
3	356-00043-0	REC31-8130482	COJINETE DE AGUJA	NEEDLE BEARING	CUSCINETTO	2
4	345-00113-0	REC30-16049T01	RODAMIENTO	BALL BEARING	CUSCINETTO	1
5	346-00001-1	REC779-879194T01	PISTÓN STD	PISTON STD	PISTONE STD	2
6	346-00011-0	REC39-16054A5	AROS	PISTON RING	FASCE	4
7	345-00042-0	REC345-00042-0	COJINETE DE AGUJA	NEEDLE BEARING	CUSCINETTO	1
8	3C8-00021-0	REC41-803680003	PIN	PISTON PIN	SPINOTTO	2
9	334-00024-1	REC53-16057	CLIP	CLIP	CLIP	4

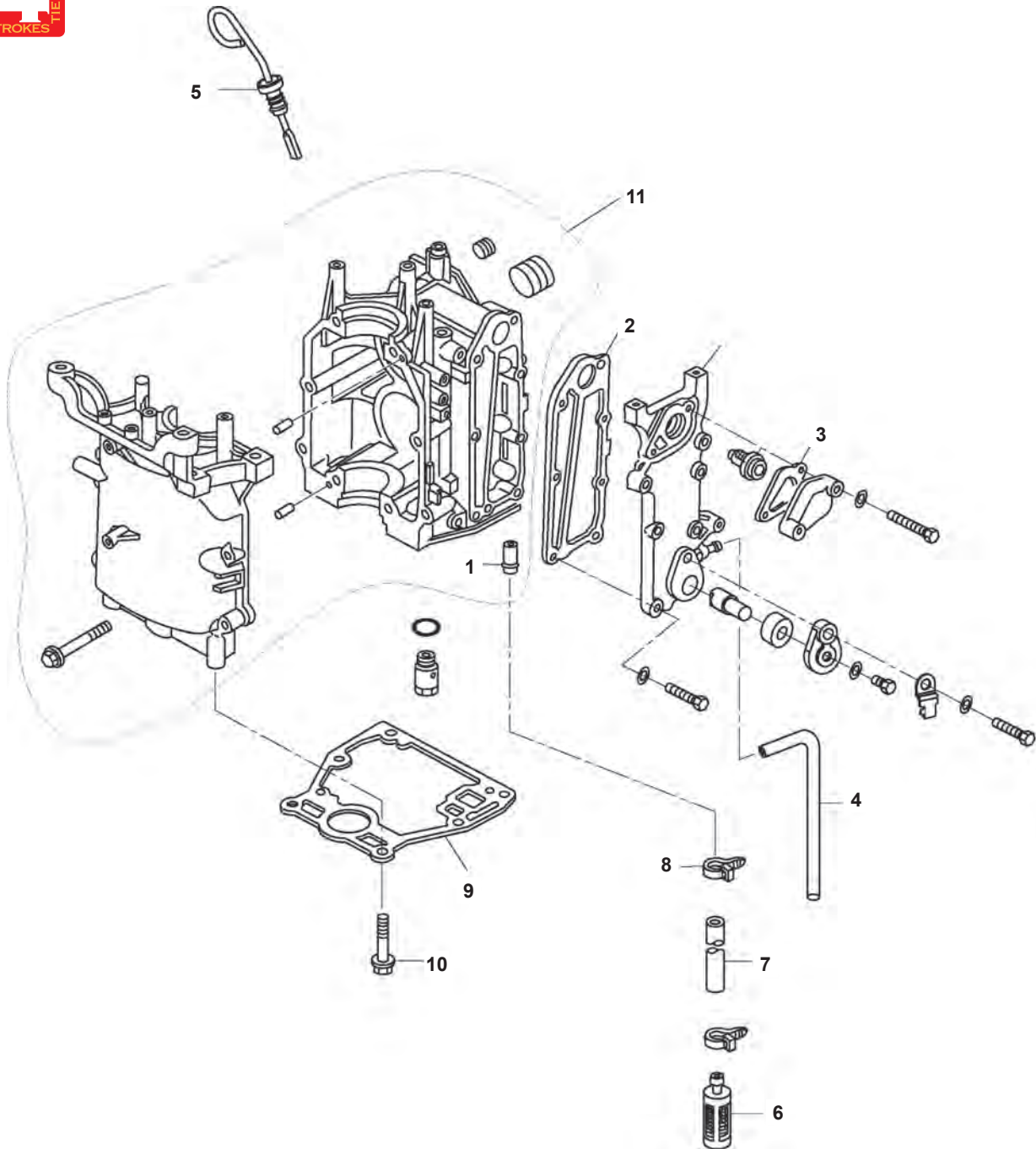


Nº	R.O. OEM	Ref.	Descripción	Description	Descrizione	Cantidad Quantity Quantità
1	3C8-00113-0	REC31-855553	RODAMIENTO SUP.	MAIN BEARING UPPER	CUSCINETTO SUPERIORE	1
2	345-00042-0	REC345-00042-0	COJINETE DE AGUJA	NEEDLE BEARING	CUSCINETTO	1
3	3C8-00001-3	REC779-9615T00	PISTÓN STD	PISTON STD	PISTONE STD	1
4	346-00011-0	REC8M0080349	AROS	PISTON RING	FASCE	2
5	3C8-00021-0	REC41-80368003	PIN	PISTON PIN	SPINOTTO	1
6	334-00024-1	REC53-16057	CLIP	CLIP	CLIP	2

MOTOR MFS8 / MFS9.8 HP ENGINE MFS8 / MFS9.8 HP MOTORE MFS8 / MFS9.8 HP

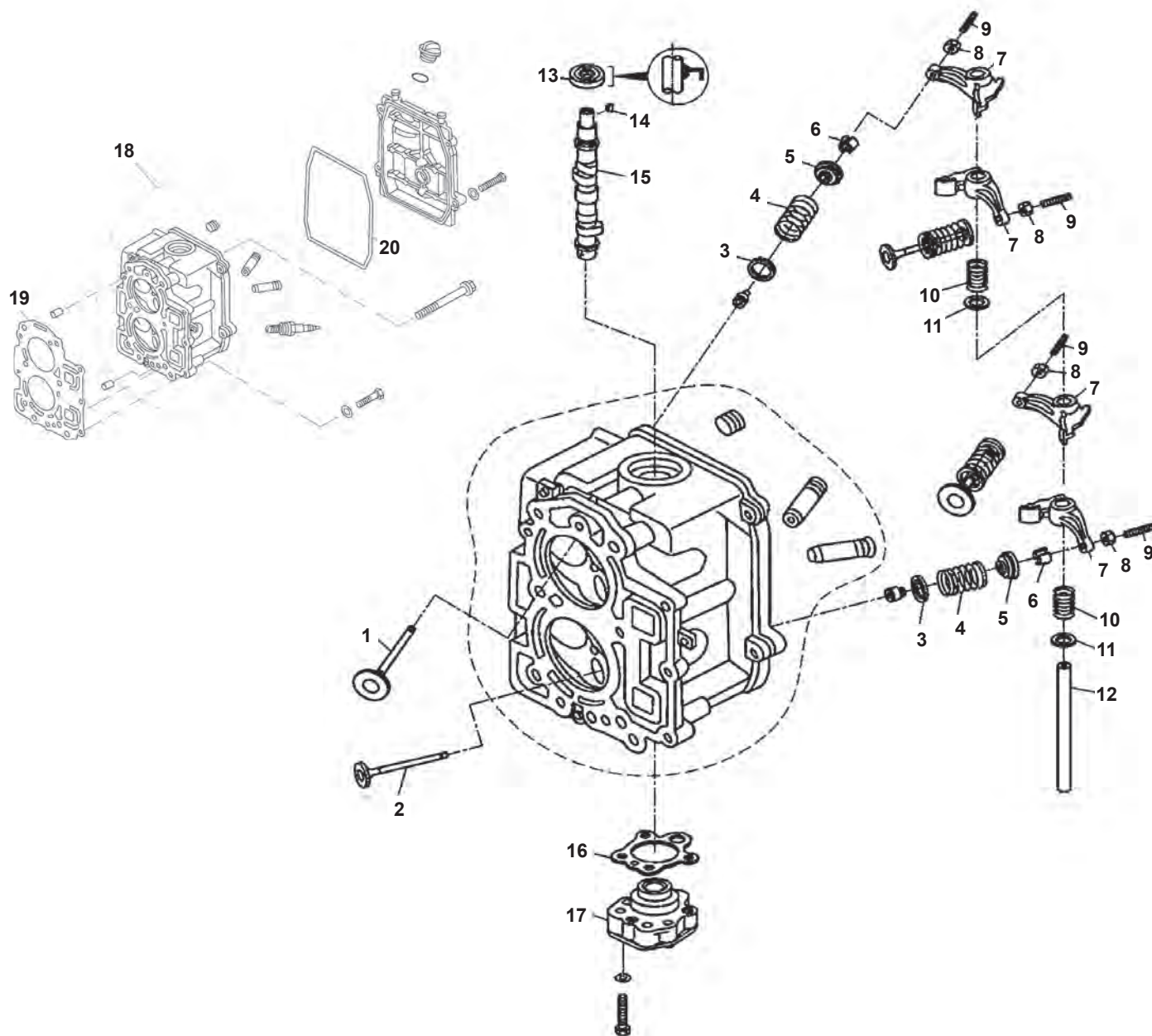


BLOQUE MOTOR / CRANKCASE / BLOCCO



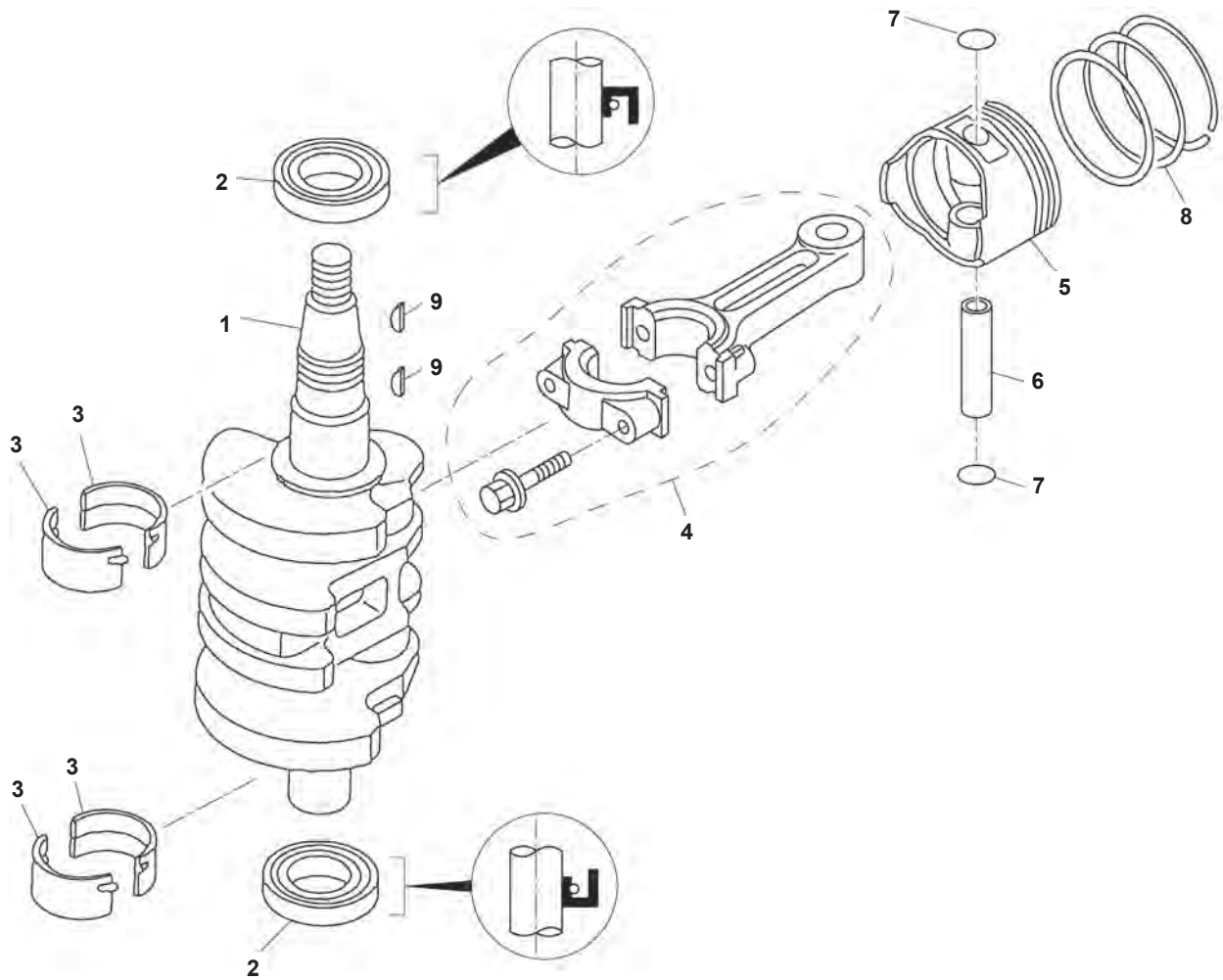
Nº	R.O. OEM	Ref.	Descripción	Description	Descrizione	Cantidad Quantity Quantità
1	3H8-02093-0	PAF8-05010002	RACORD	NIPPLE	RACCORDO	1
2	3V1-02305-0	PAF8-05010004	JUNTA ESCAPE	GASKET, EXHAUST COVER	GUARNIZIONE SCARICCO	1
3	346-01032-0	PAF8-05010005	JUNTA TERMOSTATO	GASKET, THERMOSTAT COVER	GUARNIZIONE TERMOSTATO	1
4	98AB-5-0330	PAF8-05000024	TUBO	WATER PIPE	TUBO	1
5	3V1-07421-0	PAF8-00000200	MEDIDOR NIVEL ACEITE	OIL LEVEL GAUGE	MISURATORE LIVELLO OLIO	1
6	3V1-07410-0	PAF8-05000800	FILTRO ACEITE	OIL STRAINER	FILTRO OLIO	1
7	98AH10-0120	PAF8-05000017	MANGUERA	HOSE	TUBO	1
8	369-84398-0	PAF8-05000025	CLIP	HOOP	CLIP	2
9	3V1-01303-0	PAF8-00000004	JUNTA BASE MOTOR	GASKET, ENGINE BASEMENT	GUARNIZIONE BASE MOTORE	1
10	3R3-61017-0	PAF8-00000003	TORNILLO M8x35	BOLT M8x35	VITE M8x35	6
11	3V1B01100-0	PAF8-05010000	BLOQUE COMPLETO	CRANKCASSE ASSY	BLOCCO MOTORE	1

CULATA / CYLINDER HEAD / TESTATA



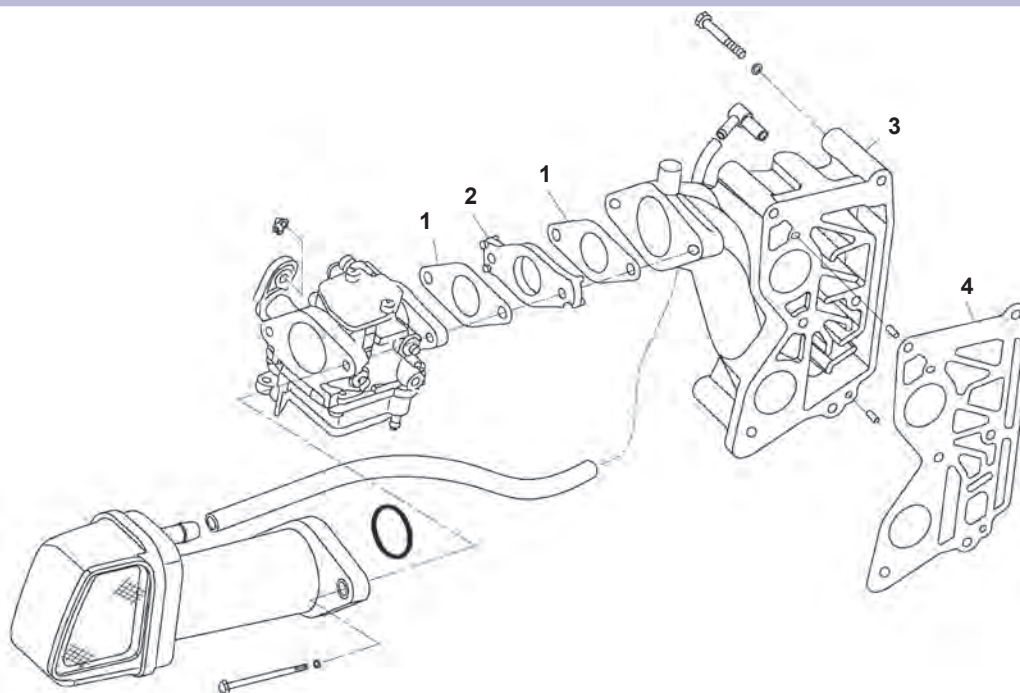
Nº	R.O. OEM	Ref.	Descripción	Description	Descrizione	Cantidad Quantity Quantità
1	3V1-07201-0	PAF8-05030001	VÁLVULA ADMISIÓN	VALVE INTAKE	VALVOLA ASPIRAZIONE	2
2	3V1-07202-0	PAF8-05030002	VÁLVULA ESCAPE	VALVE EXHAUST	VALVOLA SCARICO	2
3	3V1-07205-0	PAF8-05030004	ASIENTO MUELLE	SEAL, VALVE SPRING	SIGILLO MOLLA	4
4	3AA-07203-0	PAF8-05030005	MUELLE VÁLVULA	SPRING VALVE	VALVOLA MOLLA	4
5	3V1-07221-0	PAF8-05030006	RETENCIÓN	RETAINER, VALVE SPRINGER	TENUTA	4
6	3H6-07223-0	PAF8-05030007	SEGURO	COTTER, VALVE	CHIUSURA SICUREZZA	8
7	3V1-07235-0	PAF8-05030201	BALANCÍN	ROCKER	BILANCERE	4
8	3H8-07237-0	PAF15-07040304	TUERCA	LOCK NUT	GHIERA	4
9	3R0-07238-0	PAF15-07040303	TORNILLO AJUSTE	SCREW, VALVE ADJUSTING	VITE	4
10	3AA-07225-0	PAF8-05030009	MUELLE	SPRING ROCKER	MOLLA	2
11	3R3-07227-0	PAF8-05030015	ARANDELA	BUSHER, ROCKER SPRING	RONDELLA	2
12	3H8-07226-0	PAF8-005030010	EJE	SHAFT ROCKER	ASSE	1
13	3H8-07025-0	PAF8-05030011	RETÉN ACEITE	OIL SEAL 18x35x7.8 mm	PARAOILIO	1
14	309-00131-0	PAT3.6-04000006	CHAVETA	KEY	CHIAVETTA	1
15	3V1-07010-0	PAF8-05030008	ÁRBOL DE LEVAS	CRAMSHAFT	ALBERO MOTORE	1
16	3V1-07653-0	PAF8-05030012	JUNTA BOMBA ACEITE	OIL PUMP GASKET	GUARNIZIONE POMPA OLIO	1
17	3V1-07600-0	PAF8-05030300	BOMBA ACEITE	OIL PUMP	POMPA OLIO	1
18	3V1B01001-0	PAF8-05030100	CULATA	CYLINDER HEAD ASSY	TESTATA	1
19	3V1-02305-0	PAF8-05000100	JUNTA CULATA	CYLINDER HEAD GASKET	GUARNIZIONE TESTATA	1
20	3V1-01024-0	PAF8-05000002	JUNTA TAPA CULATA	CYLINDER HEAD COVER GASKET	GUARNIZIONE COPERCHIO TESTATA	1

CIGÜEÑAL Y PISTONES CRANKSHAFT & PISTON ALBERO MOTORE E PISTONI



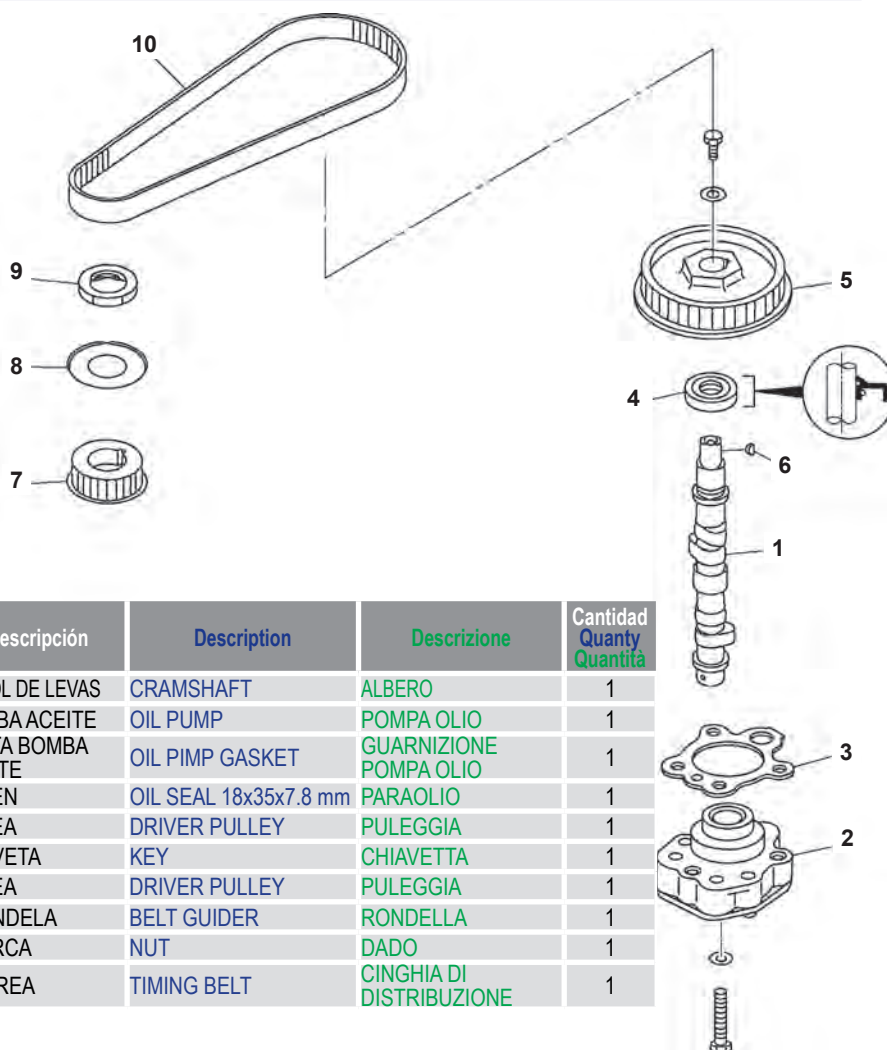
Nº	R.O. OEM	Ref.	Descripción	Description	Descrizione	Cantidad Qty Quantità
1	3V1-00030-1	PAF8-05020001	CIGÜEÑAL	CRANK	ALBERO MOTORE	1
2	3V1-00121-0	PAF8-05010012	RETÉN ACEITE	OIL SEAL	PARAOLIO	2
3	3V1-07407-0	PAF8-05010009	COJINETE	BUSH	BRONZINA	4
4	3V1-00040-0	PAF8-05020200	BIELA	CONNENCTING ROD	BIELLA	2
5	3V1-00001-0	PAF8-05020101	PISTON	PISTON	PISTONE	2
6	332-00021-0	PAF8-05020105	PIN	PIN, PISTON	SPINNOTO	2
7	350-00024-1	PAF15-07020005	CLIP	CIRCLIP	CLIP	4
8	REC8M0080346	PAF8-05020102	ARO	RING	ANELLO	1
9	3T5-10131-0	PAF4-04000019	CHAVETA	KEY	CHIAVETTA	2

ADMISIÓN / INTAKE / ASPIRAZIONE



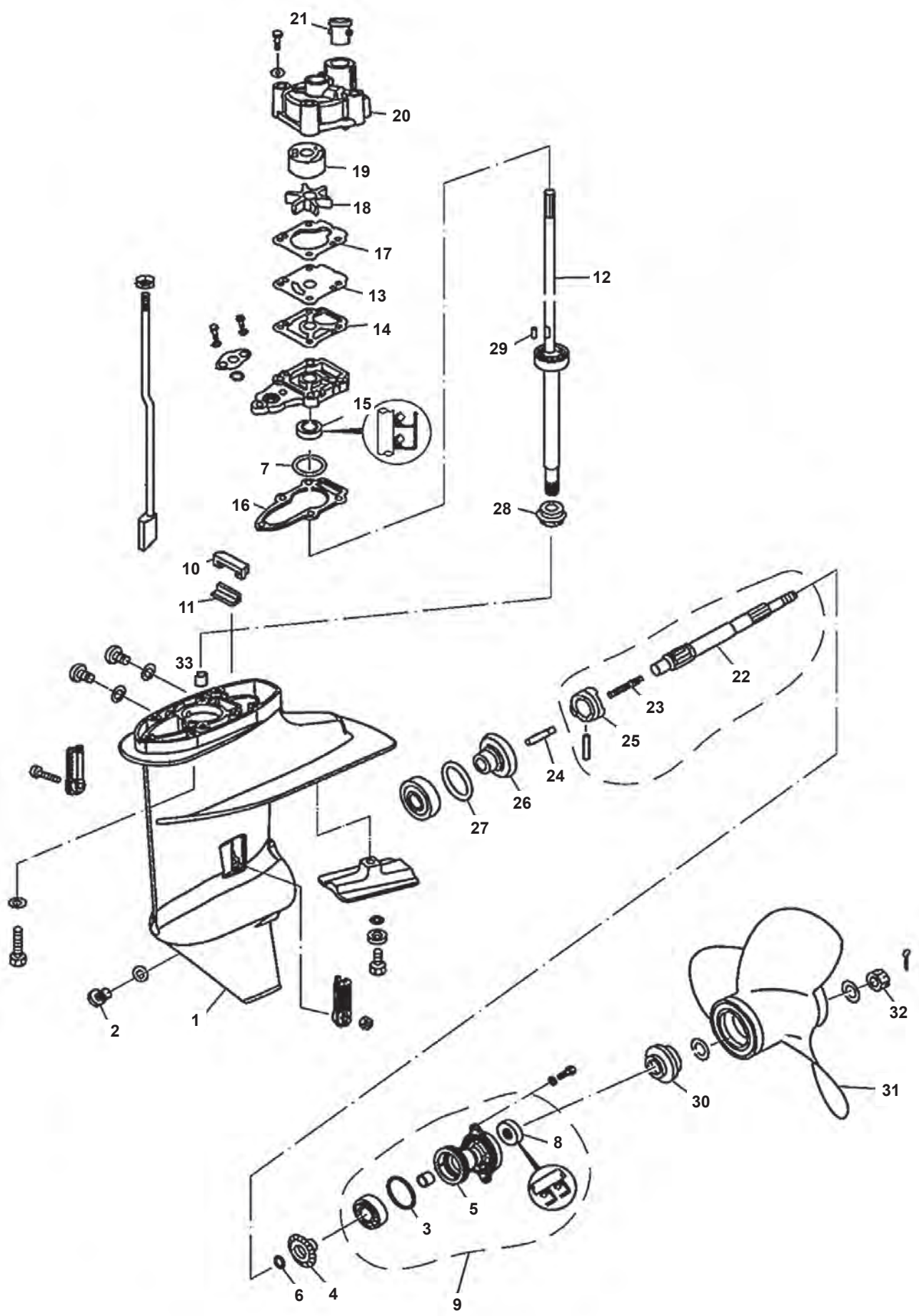
Nº	R.O. OEM	Ref.	Descripción	Description	Descrizione	Cantidad Qty Quantità
1	3V1-02011-0	PAF15-07000017	JUNTA CARBURADOR	GASKET CARBURETOR	GUARNIZIONE CARBURATORE	2
2	3V1-03952-0	PAF15-07000018	SEPARADOR	INSULATOR	ISOLANTE	1
3	3V1-02010-1	PAF8-05000008	COLECTOR ADMISIÓN	INTAKE MANIFOLD	COLLETTORE ASPIRAZIONE	1
4	3V1-02104-0	PAF8-05000009	JUNTA COLECTOR	GASKET MANIFOLD	GUARNIZIONE COLLETTORE	1

DISTRIBUCIÓN / CRAMSHAFT / DISTRIBUZIONE



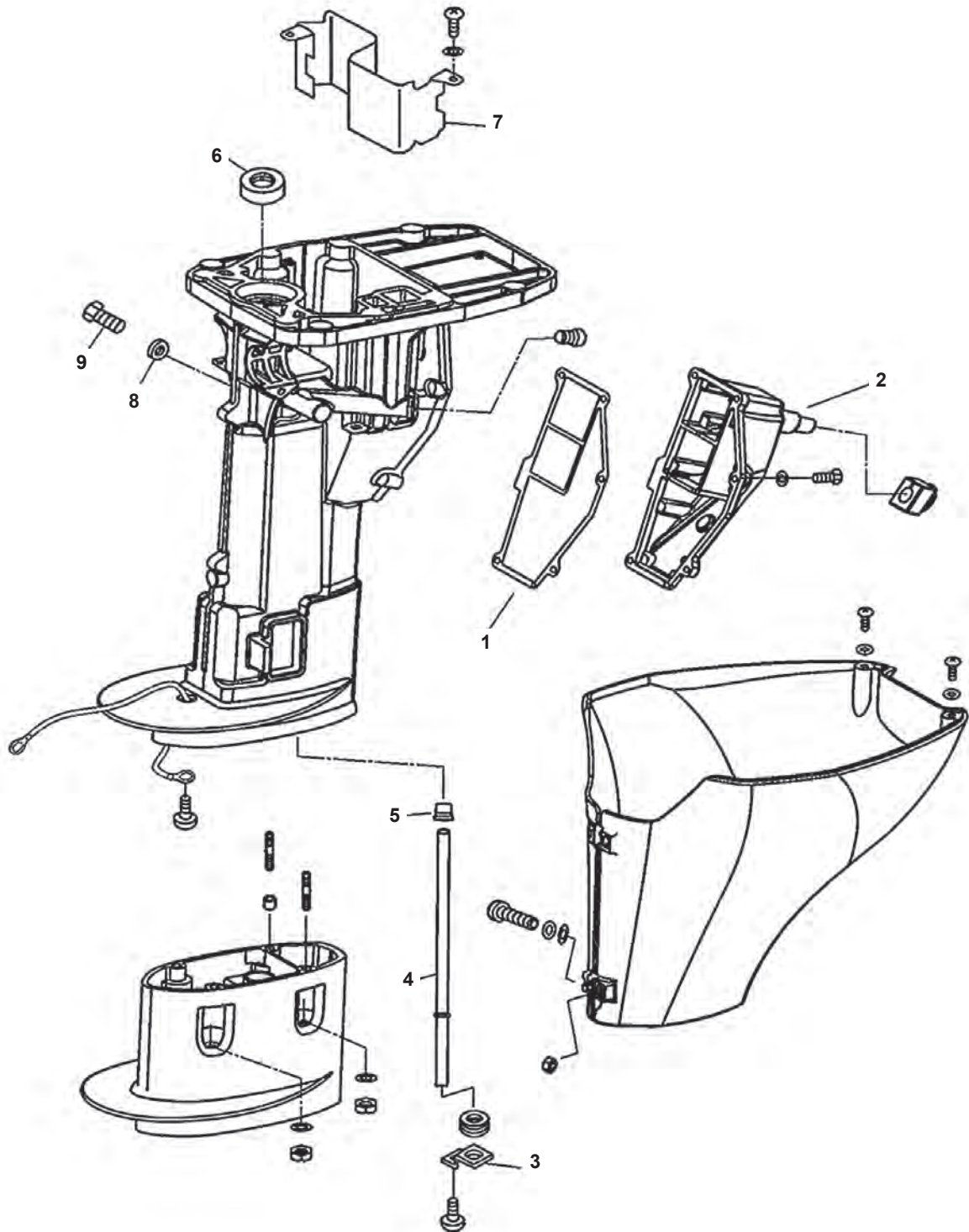
Nº	R.O. OEM	Ref.	Descripción	Description	Descrizione	Cantidad Qty Quantità
1	3V1-07010-0	PAF8-05030008	ÁRBOL DE LEVAS	CRAMSHAFT	ALBERO	1
2	3V1-07600-0	PAF8-05030300	BOMBA ACEITE	OIL PUMP	POMPA OLIO	1
3	3V1-07653-0	PAF8-05030012	JUNTA BOMBA ACEITE	OIL PIMP GASKET	GUARNIZIONE POMPA OLIO	1
4	3H8-07025-0	PAF8-05030011	RETÉN	OIL SEAL 18x35x7.8 mm	PARAOLIO	1
5	3H8-10062-2	PAF8-05030400	POLEA	DRIVER PULLEY	PULEGGIA	1
6	309-00131-0	PAT3.6-04000006	CHAVETA	KEY	CHIAVETTA	1
7	3V1-10060-0	PAF8-05010014	POLEA	DRIVER PULLEY	PULEGGIA	1
8	3V1-10063-0	PAF8-05010015	ARANDELA	BELT GUIDER	RONDELLA	1
9	3V1-10068-0	PAF8-05010016	TUERCA	NUT	DADO	1
10	3V1-10045-0	PAF8-05000004	CORREA	TIMING BELT	CINGHIA DI DISTRIBUZIONE	1

COLA INFERIOR / LOWER CASING & DRIVE / PARTE PIEDE INFERIORE



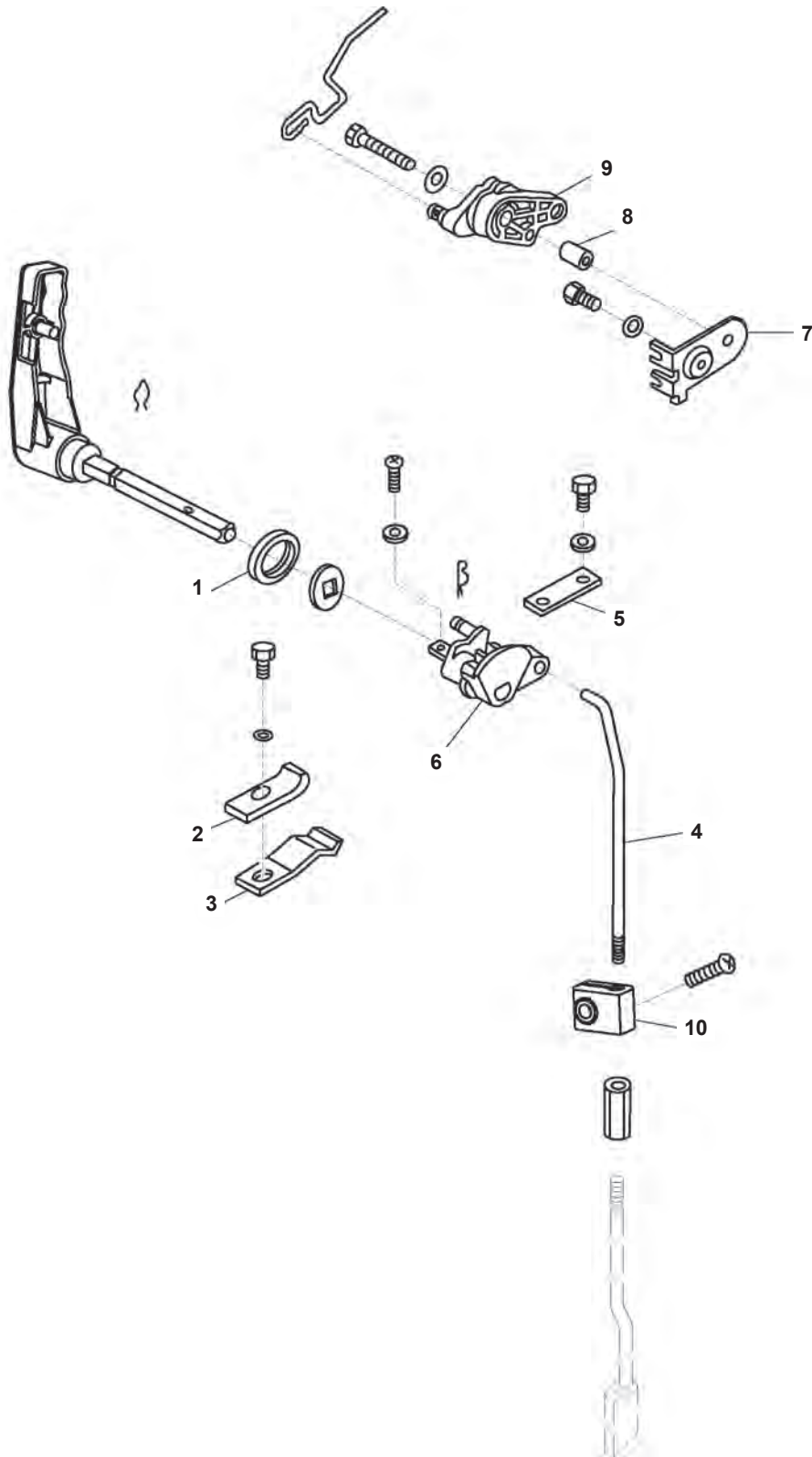
Nº	R.O. OEM	Ref.	Descripción	Description	Descrizione	Cantidad Quanti Quantità
1	332-60006-0	PAF8-03000024	JUNTA	GASKET	GUARNIZIONE	3
2	332-60005-2	PAF4-03000023	CONECTOR	PLUG, OIL HOSE	CONNETTORE	3
3	345-65015-0	PAF8-04040002	TÓRICA	O-RING	ANELLO	1
4	3B2-64030-0	PAF8-04000014	PIÑÓN ATRÁS	GEAR REVERSE	PIGNONE MARCIA INDIETRO	1
5	3B2S60101-0	PAF8-04040001	DIÁBOLO	COVER, LOWE CASING	DIABOLO	1
6	369-64032-0	PAF8-04000012	ARANDELA	WASHER	RONDELLA	1
7	3B2-64023-0	PAF8-04000004-1	GRUESO	SHIM 0.10mm	SPESSORE	
8	369-60111-0	PAF8-04040004	RETÉN	OIL SEAL	PARAOILIO	1
9	3B2S60100-0	PAF8-04040000	DIÁBOLO	COVER ASSY	DIABOLO	1
10	3V1-60041-0	PAF8-04000016	JUNTA	GASKET, WATER SEAL	GUARNIZIONE	1
11	3V1-60042-0	PAF8-04000015	RETÉN	WATER SEAL	TENUTA	1
12	3V1-64307-1	PAF8-04020001 (L)	EJE (L)	DRIVE SHAFT ASSY (L)	ASSE (L)	1
	3V1-64306-1	PAF8-04020001 (S)	EJE (S)	DRIVE SHAFT ASSY (S)	ASSE (S)	1
13	3B2-65025-0	PAF8-04000007	PLACA	OUTER PLATE	PIASTRA	1
14	3B2-65029-0	PAF8-04000006	JUNTA	GASKET, OUTER PLATE	GUARNIZIONE	1
15	309-60111-0	PAF8-04000101	RETÉN	OIL SEAL	PARAOILIO	1
16	3B2-65020-0	PAF8-04000005	JUNTA	GASKET, WATER PUMP SEAT	GUARNIZIONE	1
17	3B2-65018-0	PAF8-04000008	JUNTA	GASKET, OUTER PLATE	GUARNIZIONE	1
18	3B2-65021-1	PAF8-04000200	IMPULSOR	IMPELLER	GIRANTE	1
19	3B2-65011-0	PAF8-04000010	CASQUILLO	INNER SHELL, WATER PUMP	BOCCOLA	1
20	3B2-65016-0	PAF8-04000009	BOMBA DE AGUA	WATER PUMP	POMPA D'ACQUA	1
21	3B2-65016-0	PAF8-04000013	RETÉN	SEAL	TENUTA	1
22	3V1-64211-0	PAF8-04000301	EJE HÉLICE	SHAFT, PROPELLER	ASSE ELICHE	1
23	3V1-64221-0	PAF8-04000302	MUELLE	SPRING, CLUTCH	MOLLA	1
24	369-64223-0	PAF8-04000305	PIN	PIN CLUTCH	SPINOTTO	1
25	3B2-64215-0	PAF8-04000303	SELECTOR	CLUTCH, DOG	SELETT ORE	1
26	3B2-64010-0	PAF8-04010000	PIÑÓN ADELANTE	GEARM FORWARD	PIGNONE AVANTI	1
27	369-64014-0	PAF8-04000012-1	GRUESO	SHIM 0.10mm	SPESSORE	1
	369-64015-0	PAF8-04000012-2	GRUESO	SHIM 0.15mm	SPESSORE	1
28	3B2-64020-0	PAF8-04000003	PIÑÓN	PINION	PIGNONE	1
29	3B2-65022-0	PAF8-04000021	PIN	PIN, DOWER	SPINOTTO	1
30	3B2-64230-1	PAF8-04000019	GRUESO	CUSHION, PROPELLER	SPESSORE	1
31	3B2W64517-0	PAF8-0405000	HÉLICE	PROPELLER ASSY	ELICHE	1
32	369-64121-0	PAF15-0600016	TUERCA	NUT, HEXAGON	DADO	1
33	3V1-60211-0	PANSKFJ-1516	RODAMIENTO	BEARING	CUSCINETTO	1

COLA SUPERIOR / UPPER CASING & DRIVE / PARTE PIEDE SUPERIORE



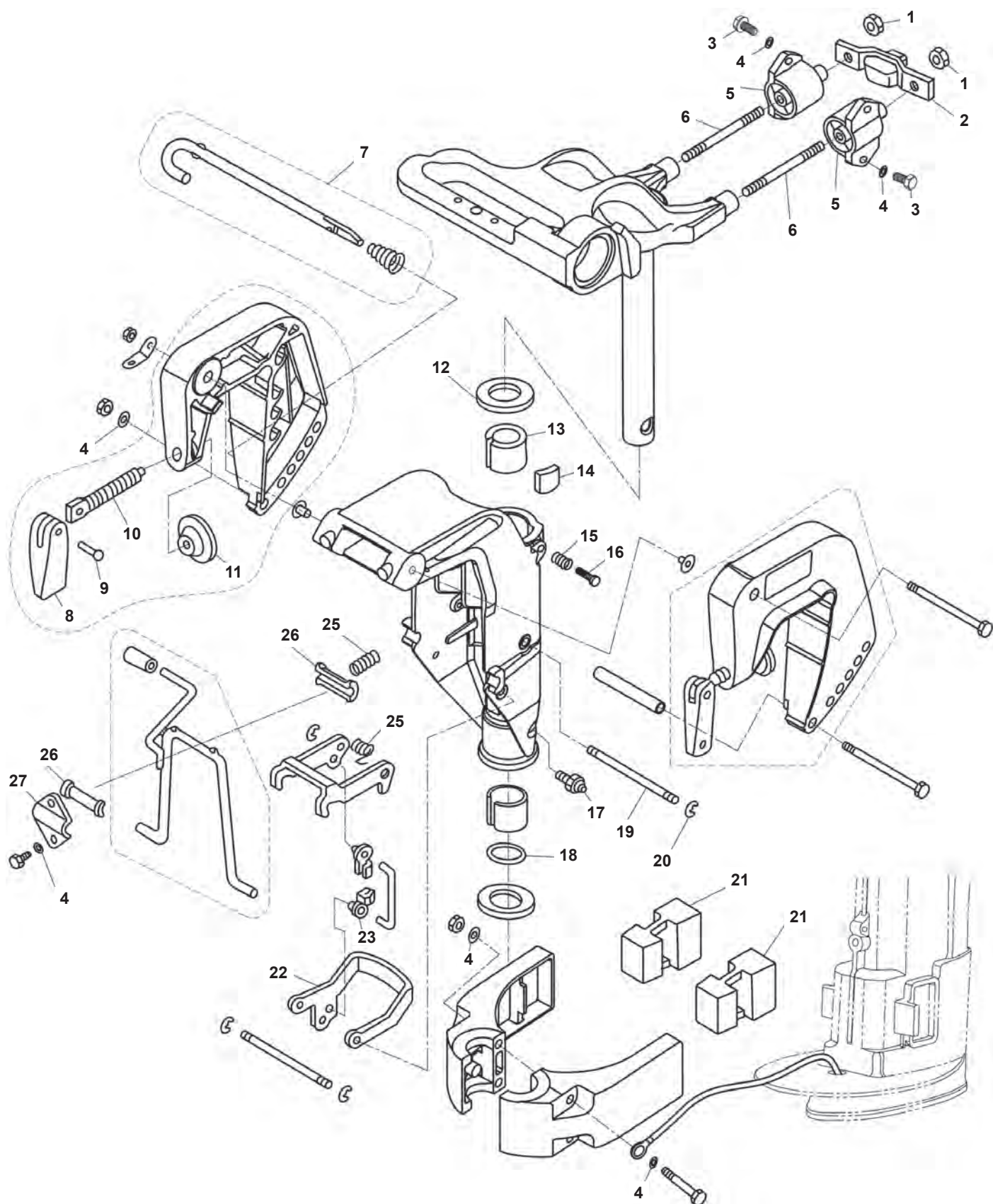
Nº	R.O. OEM	Ref.	Descripción	Description	Descrizione	Cantidad Quantity Quantità
1	3V1-61220-0	PAF8-02000004	JUNTA	GASKET, EXHAUST OUTER COVER	GUARNIZIONE	1
2	3V1-61208-0	PAF8-02000005	TAPA ESCAPE	EXHAUST OUTER COVER	COPERCHIO SCARICO	1
3	3V1-65203-0	PAF8-02000009	PIPA	ALATE, WATER PIPE	TUBO	1
4	3V1-65110-0	PAF8-02000006 (L)	TUBO (L)	WATER PIPE (L)	TUBO (L)	1
	3V1-65100-0	PAF8-02000006 (S)	TUBO (S)	WATER PIPE (S)	TUBO (S)	1
5	3V1-65206-0	PAF8-02000007	RETÉN	UPPER SEAL, WATER PIPE	TENUTA	1
6	3B2-01215-0	PAF8-02000002	RETÉN	OIL SEAL	PARAOILIO	1
7	3V1-07440-0	PAF8-02000003	SEPARADOR	CLAPBOARD, OIL SUMP	ASSICELLA, COPPA OLIO	1
8	3R3-07406-0	PAF15-04000003	JUNTA	GASKET	GUARNIZIONE	1
9	3R3-07405-1	PAF15-04000002	TAPÓN	BOLT, OIL DRAIN	TAPPO	1

CAMBIO / CONTROL SYSTEM / CALANDRA



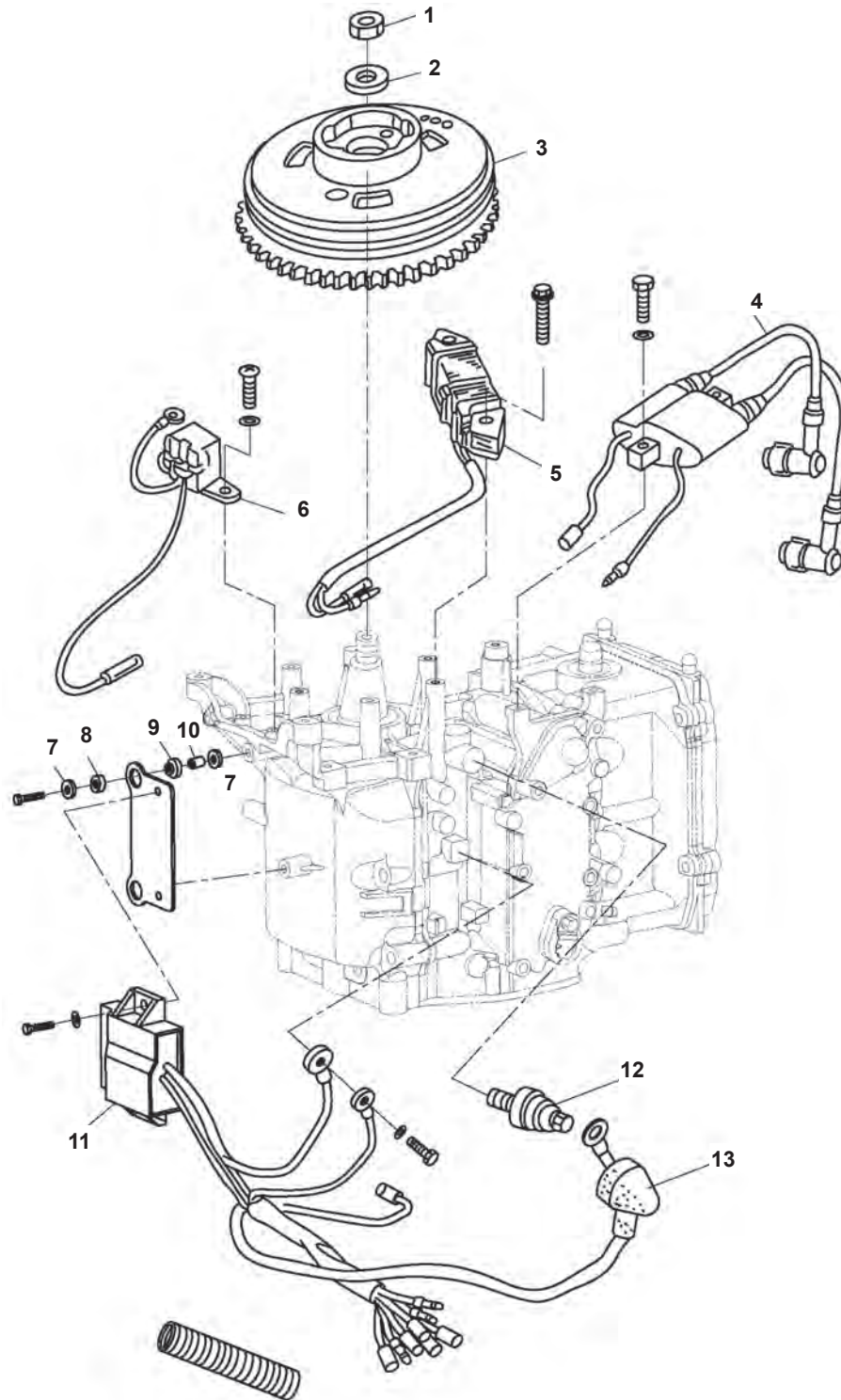
Nº	R.O. OEM	Ref.	Descripción	Description	Descrizione	Cantidad Quantity Quantità
1	3V1-66187-0	PAF8-03010001	ARANDELA	WASHER, HANDLE	RONDELLA	1
2	3C8-66116-0	PAF8-03010006	PLACA	PLATE, SHIFTLVER STOPPER	PIASTRA	1
3	3B2-66113-0	PAF8-03010005	TOPE	STOPPER, SHIFT LEVER	TAPPO	1
4	3V1-66211-0	PAF8-03000010	EJE	SHIFT ROD	ASSE	1
5	3B1-66145-0	PAF8-03010007	PLACA	PLATE	PIASTRA	1
6	3V1-66225-0	PAF8-03010003	SEGURO	BLOCK	BLOCCAGGIO	1
7	3V1-63508-0	PAF8-05000020	PLACA	PALTE	PIASTRA	1
8	346-67114-0	PAF8-05000018	CASQUILLO	BUSH	BOCCOLA	1
9	3V1-63622-0	PAF8-05000019	POLEA	MAIN PULLEY	PULEGGIA	1
10	3V1-66302-0	PAF8-03000011	SEGURO	LOCK BLOCK	BLOCCAGGIO	1

SOPORTE MOTOR / BRACKET / SUPPORTO MOTORE



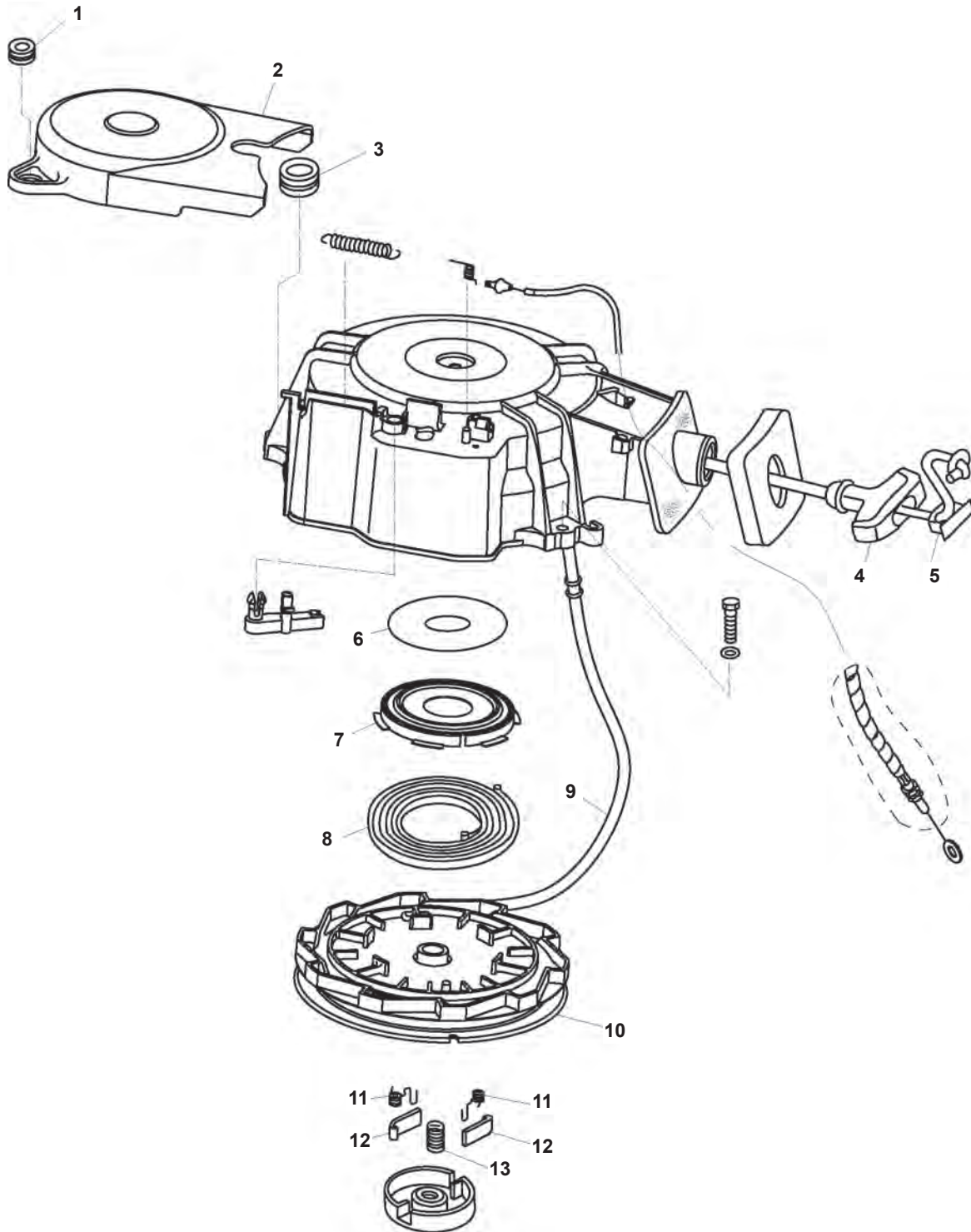
Nº	R.O. OEM	Ref.	Descripción	Description	Descrizione	Cantidad Qty Quantità
1	3V1-61324-0	PAGB/T889.1-M8	TUERCA	NUT M8	DADO	2
2	3V1-61333-1	PAF8-00000100	SILENBLOCK	ABSORBER (FRONT)	SILENBLOCK	1
3	910184-5620	PAGB/T5783-M6X20	TORNILLO	BOLT M6x20	VITE	4
4	910184-5620	PAGB/T97.1-6	ARANDELA	WASHER	RONDELLA	11
5	3V1-61301-1 940113-0800	PAF8-02000100	SILENBLOCK	ABSORBER ASSY	SILENBLOCK	2
6	3V1-61313-0	PAF8-01000003	TORNILLO	DICEPHALOUS BOLT M8x65	VITE	2
7	350-62121-1 369-62122-2	PAF8-01010200	EJE	THRUST ROD ASSY	ASSE	1
8	332S62102-1	PAF4-01010004	MANITA	CLAMP HANDLE, STERN	MANIGLIA	2
9	3C8-62104-1	PAF4-01001005	RIBETE	RIVET, CLAMP HANDLE	RIVETTO	2
10	398-62103-0	PAF4-01010002	TORNILLO	CLAMP SCREW	VITE	2
11	332-62101-0	PAF4-01010003	ARANDELA	CLAMP PAD	RONDELLA	2
12	350-62423-0	PAF8-01000001	ARANDELA	WASHER, ROTARY BRACKET	RONDELLA	2
13	350-62417-0	PAF8-01000002	CASQUILLO	BUSHING	BOCCOLA	2
14	345-62441-0	PAF8-01000100	SEGURO	LOCKING BLOCK ASSY	CHIUSURA SICUREZA	1
15	346-62421-1	PAF8-01010102	MUELLE	SPRING, LOCKING	MOLLA	1
16	910113-0830	PAGB/T5783-M8X30	TORNILLO	BOLT M8x30	VITE	1
17	344-67177-0	PAJB/T7940.1-M6	ENGRASADOR	OILER M6	INGRASSATORE	1
18	350-62415-0	PAJASO F404 35-022	RETÉN	O-RING Ø22.4xø3.5	TENUTA ANELLO	1
19	3B2-66321-1	PAF8-01010108	EJE	SHAFT, ROTARY BRACKET	ASSE	2
20	945303-0500	PAGB/T896-5	CLIP	CIRCLIP5	CLIP	4
21	3V1-61302-0	PAF8-00000002	AMORTIGUADOR	ABSORBER	AMMORTIZZATORE	2
22	3V1-66313-0	PAF8-01010106	UÑA	OUTER FRAME, ROTARY BRACKET	CORNICE ESTERNA	1
23	3K9-05223-0	PAF8-01010112	ADAPTADOR	TIE-IN, CONNECTING ROD	ADATTATORE	1
24	3B2-66315-0	PAF8-01010109	MUELLE	SPRING, WREST	MOLLA	1
25	369-66112-1	PAF8-01010104	MUELLE	SPRING, SUPPORT	MOLLA	1
26	393-62437-0	PAF8-01010103	PASADOR	PIN	PIN	2
27	369-62439-1	PAF8-01010105	PLACA	PRESS PLATE	PIASTRA	1

ELECTRICIDAD / ELECTRICAL / PARTE ELETTRICA



Nº	R.O. OEM	Ref.	Descripción	Description	Descrizione	Cantidad Quantity Quantità
1	369-00132-0	PAF8-05000024	TUERCA	NUT, FLYWHEEL	DADO	1
2	940121-1200	PAT15-04000011	ARANDELA	WASHER, FLYWHEEL NUT	RONDELLA	1
3	3AA-06091-0	PAF8-05000600	EJE	FLYWHEEL ASSY	ASSE	1
4	3V1-06040-0	PAF8-05000500	EJE ALTA PRESIÓN	HIGH PRESSURE ASSY	ASSE ALTA PRESSIONE	1
5	3AA-06021-0	PAF8-05000300	BOBINA	COIL	BOBINE	1
6	3V1-06071-0	PAF8-05000200	BOBINA PULSACIÓN	COIL PULSER	BOBINE ACCENSIONE	1
7	3R0-66308-0	PAF8-05000021	ARANDELA	WASHER	RONDELLA	4
8	3B7-06305-0	PAF8-05000007	AMORTIGUADOR (A)	ABSORBER (A) CDI	CUSCINO (A)	2
9	3T5-06920-0	PAF8-05000011	AMORTIGUADOR (B)	ABSORBER (B) CDI	CUSCINO (B)	2
10	3A0-76079-0	PAF8-05000006	MANGUERA	TUBE	TUBO	2
11	3AA-06060-0	PAF8-05000400	CDI	CDI	CDI	1
12	3H6-07611-0	PAF15-07010100	SENSOR PRESIÓN ACEITE	OIL PRESSURE SENSOR	SENSORE PRESSIONE OLIO	1
13	3H6-07612-0	PAF15-07010101	AISLANTE	JACKET INSULATION	ISOLANTE	1

ARRANQUE / STARTER ASSY / AVVIAMENTO



Nº	R.O. OEM	Ref.	Descripción	Description	Descrizione	Cantidad Quanti Quantità
1	172-36008-0	PAF8-0500003	RETÉN	RUBBER GROMMET A	TENUTA	2
2	3V1-06308-0	PAF8-0500012	TAPA	COVER, STRAP	COPERCHIO	1
3	3V1-06302-0	PAF8-0500013	RETÉN	RUBBER GROMMET B	TENUTA	1
4	3AA-05019-0	PAF4-04130101	TIRADOR	HANDLE, STARTER	MANIGLIA	1
5	3R1-05131-0	PAF4-04130102	TAPA	COVER, HANDLE	COPERCHIO	1
6	3V1-05259-0	PAF8-05050002	ARANDELA	WASHER, THRUST	RONDELLA	1
7	3R1-05125-0	PAF8-05050003	MUELLE	SPRING CASE	MOLLA	1
8	3AA-05004-0	PAF8-05050004	MUELLE	VOLUTE SPRING	MOLLA	1
9	3AA-05013-0	PAF8-05050018	CUERDA	START LINE	CORDA DI AVVIAMENTO	1
10	3V1-05104-1	PAF8-05050005	VOLANTE	WHELL, START-UP	VOLANTE	1
11	3R1-05012-0	PAF8-05050007	MUELLE	SPRING, TENSIÓN	MOLLA	2
12	3R1-05003-1	PAF8-05050006	UÑA PLÁSTICA	PAWL, DRIVE	NOTTOLINO	2
13	3R1-05007-0	PAF8-05050009	MUELLE	SPRING PLATE	MOLLA	1

PISTONES, AROS, BULONES Y RODAMIENTOS

PISTONS, RINGS, PINS AND BEARINGS

PISTONI, FASCE, BULLONI E CUSCINETTI

Ref.	Medida Size Misura	Cyl.	Motores Engines Motori
WI3157P3	2.785" / 030	2	25 HP - M25C2 30 HP - M30A3
WI3155PS	2.755" / STD	2	40 HP - M40C
WI3155P3	2.785" / 030	2	40 HP - M40C
WI3156P3	2.707" / 030	3	60 HP - M40D 50 HP - M450D
WI3154PS	2.913" / STD	3	60 HP - M60B 70 HP - M70B
WI3153PS	3.385" / STD	3	90 HP - M90A
WI3153P3	3.415" / 030	3	90 HP - M90A
WI3152PS	3.464" / STD	4	115 HP - M115A 120 HP - M12A M120A 140 HP - M140A

WISECO



Ref.	R.O.		
REC779-9615T	369-0001-0	Pistón / Piston / Pistoni	STD
REC41-16056	369-00021-0	Bulón / Pin / Bullone	
REC629-813047	369-00040-0	Biela / Connecting rod / Biella	
REC8M0080357	351-00011-0	Aros / Rings / Fasce	STD
REC53-16057	350-00024-1	Clip	
REC31-16052	350-00042-0	Rodamineto / Bearing / Cuscinetto	

MOTORES / ENGINES / MOTORI
M4C / M5B / M5BS (1 Cyl)



Ref.	R.O.		
REC779-804886	3B2-00001-0	Pistón / Piston / Pistoni	STD
REC41-8036801	3B2-0021-0	Bulón / Pin / Bullone	
REC629-8036741	3B2-00040-0	Biela / Connecting rod / Biella	
REC39-803678A3	3B2-00011-0	Aros / Rings / Fasce	STD
REC53-16057	350-00024-1	Clip	
REC31-8036752	338-00042-0	Rodamineto / Bearing / Cuscinetto	

MOTORES / ENGINES / MOTORI
M6B / M8B / M9.8B (2 Cyl)



Ref.	R.O.		
REC779-803677	351-00001-0	Pistón / Piston / Pistoni	STD
REC41-825713002	332-00021-0	Bulón / Pin / Bullone	
REC629-803674	350-00040-0	Biela / Connecting rod / Biella	
REC8M0080357	351-00011-0	Aros / Rings / Fasce	STD
REC53-16057	350-00024-1	Clip	
REC31-16052	350-00042-0	Rodamineto / Bearing / Cuscinetto	

MOTORES / ENGINES / MOTORI
M9.9D2 / M15D2 (2 Cyl)



Ref.	R.O.		
REC779-803677T02	350-00001-1	Pistón / Piston / Pistoni	STD
REC41-803680002	350-00021-0	Bulón / Pin / Bullone	
REC629-803674	350-00040-0	Biela / Connecting rod / Biella	
REC39-803678A1	350-00011-0	Aros / Rings / Fasce	STD
REC53-16057	350-00024-1	Clip	
REC31-16052	350-00042-0	Rodamineto / Bearing / Cuscinetto	

MOTORES / ENGINES / MOTORI
M18E2 (2 Cyl)



Ref.	R.O.		
REC779-879194T01	346-00001-1	Pistón / Piston / Pistoni	STD
REC41-803680003	3C8-0021-0	Bulón / Pin / Bullone	
REC629-813047T01	336-00040-1	Biela / Connecting rod / Biella	
REC39-16054A5	346-00011-0	Aros / Rings / Fasce	STD
REC53-16057	350-00024-1	Clip	
REC345-00042-0	345-00042-0	Rodamineto / Bearing / Cuscinetto	

MOTORES / ENGINES / MOTORI
M25C3 / M30A4 (2 Cyl)



Ref.	R.O.		
REC779-9615 2	3C8-00001-3	Pistón / Piston / Pistoni	STD
REC41-803680003	3C8-0021-0	Bulón / Pin / Bullone	
REC8M0080349	356-00011-0 346-00011-0	Aros / Rings / Fasce	STD
REC53-16057	334-00024-1	Clip	
REC345-00042-0	345-00042-0	Rodamineto / Bearing / Cuscinetto	

MOTORES / ENGINES / MOTORI
M40D2 / M50D2 (3 Cyl)



Ref.	R.O.		
PAF8-05020101	3V1-00001-0	Pistón / Piston / Pistoni	STD
PAF8-05020105	332-00024-0	Bulón / Pin / Bullone	
PAF8-05020200	3V1-00040-0	Biela / Connecting rod / Biella	
REC8M0080346	3V1-87123-0	Aros / Rings / Fasce	STD
PAF15-07020005	350-00024-1	Clip	

MOTORES / ENGINES / MOTORI
MFS8 / 9.8A-A2-A3 (2 Cyl)



RODAMIENTO CIGÜEÑAL CRANK BEARING CUSCINETTO ALBERO MOTORE

SUPERIOR / UPPER / SUPERIORE

Ref.	R.O.
REC30-898101936	9643-3-6004

MOTORES / ENGINES / MOTORI

M2.5A
M3.5A-B



INFERIOR / UNDER / INFERIORE

Ref.	R.O.
REC30-95307	9643-3-6202

MOTORES / ENGINES / MOTORI

M2.5A
M3.5A-B



JUNTA DE CULATA GASKET CYLINDER HEAD GUARNIZIONE TESTATA

JUNTA DE CULATA GASKET CYLINDER HEAD GUARNIZIONE TESTATA

Ref.	R.O.
REC309-01005-2	309-01005-2

MOTORES / ENGINES / MOTORI

M2.5 / M2.5A / M2.5A2
M3.5A / M3.5A2



Ref.	R.O.
REC3B2-01005-0	3B2-01005-0

MOTORES / ENGINES / MOTORI

M6B / M8B / M9.8B



Ref.	R.O.
REC351-01005-0	351-01005-0

MOTORES / ENGINES / MOTORI

M9.9D / M15D
M9.9D2 / M15D2



Ref.	R.O.
REC350-01005-0	350-01005-0

MOTORES / ENGINES / MOTORI

M18E2



Ref.	R.O.
REC346-01005-0	346-01005-0

MOTORES / ENGINES / MOTORI

M25C3
M30A4



Ref.	R.O.
REC3C8-01005-4	3C8-01005-4

MOTORES / ENGINES / MOTORI

M40D2
M50D2



Ref.	R.O.
REC3F3-01005-0	3F3-01005-0

MOTORES / ENGINES / MOTORI

M60C
M70C



Ref.	R.O.
REC3T9-01005-0	3T9-01005-0

MOTORES / ENGINES / MOTORI

MD70 / MD90

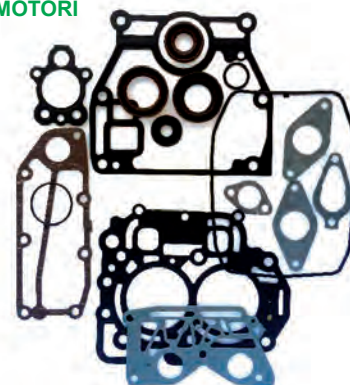


KIT JUNTAS GASKET KIT KIT GUARNIZIONE

Ref.	R.O.	Tiempos Stroke Tempi
REC3V1-87121-0	3V1-87121-0	4

MOTORES / ENGINES / MOTORI

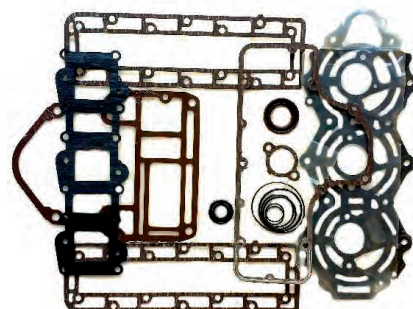
MFS8A -8A2
MFS9.8A / 9.8A2



Ref.	R.O.
REC3T5-87121-6	3T5-87121-6

MOTORES / ENGINES / MOTORI

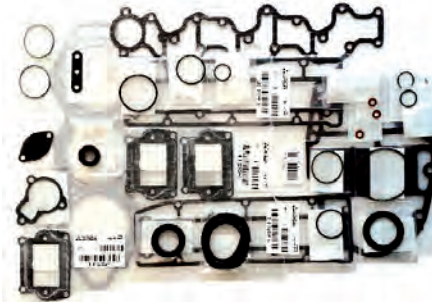
MD40B2
MD50B2



Ref.	R.O.
REC3F3-87121-1	3F3-87121-7

MOTORES / ENGINES / MOTORI

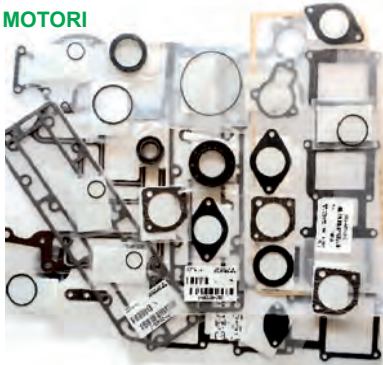
M60C
M70C



Ref.	R.O.
REC3B7-87121-1	3B7-87121-7

MOTORES / ENGINES / MOTORI

M80A
M90A

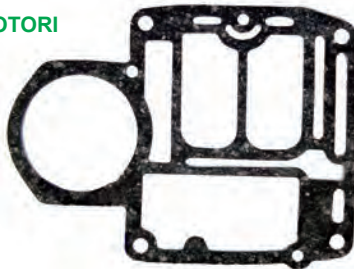


**JUNTAS BASE MOTOR
GASKET, ENGINE HOLDER
GUARNIZIONE, BASE MOTORE**

Ref.	R.O.
REC350-01303-0	350-01303-0

MOTORES / ENGINES / MOTORI

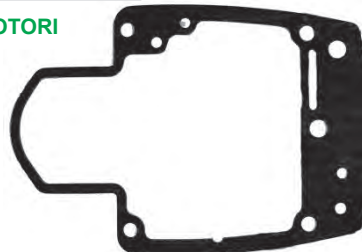
M9.9D2 / M15D2 / M18E2



Ref.	R.O.
REC350-61012-1	350-61012-1

MOTORES / ENGINES / MOTORI

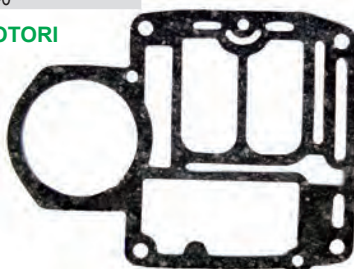
M9.9D2 / M15D2 / M18E2



Ref.	R.O.
REC346-01303-0	350-01303-0

MOTORES / ENGINES / MOTORI

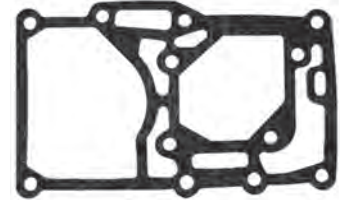
M25C3
M30A4



Ref.	R.O.
REC3B2-01303-0	3B2-01303-0

MOTORES / ENGINES / MOTORI

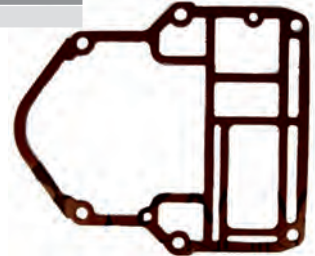
M6B / M8B / M9.8B



Ref.	R.O.
REC3C8-01303-4	3C8-01303-4

MOTORES / ENGINES / MOTORI

MD40B
MD50B



Ref.	R.O.
REC3F3-01303-1	3F3-01303-1

MOTORES / ENGINES / MOTORI

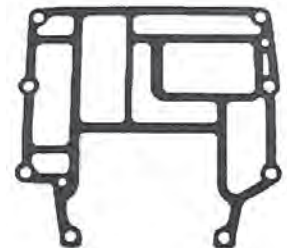
M60C / M70C



Ref.	R.O.
REC3B7-01303-0	3B7-01303-0

MOTORES / ENGINES / MOTORI

MD90A

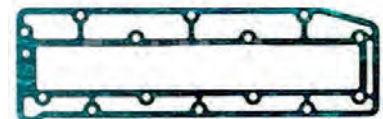


**JUNTAS TAPA REFIRGERACIÓN
GASKETS, EXHAUST INNER COVER
GUARNIZIONE COPERCHIO
REFRIGERAZIONE**

Ref.	R.O.
REC3F3-02305-1	3F3-02305-1

MOTORES / ENGINES / MOTORI

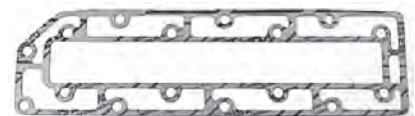
M60C / M70C



Ref.	R.O.
REC3B7-02305-1	3B7-02305-1

MOTORES / ENGINES / MOTORI

MD70B
MD90D

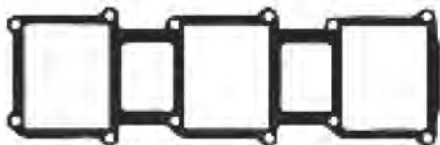


JUNTAS ADMISIÓN INTAKE GASKET GUARNIZIONE SISTEMA ASPIRAZIONE

Ref.	R.O.
REC3T9-02104-0	3T9-02104-0

MOTORES / ENGINES / MOTORI

MD70B
MD90B



Ref.	R.O.
REC3C8-02104-0	3C8-02104-0

MOTORES / ENGINES / MOTORI

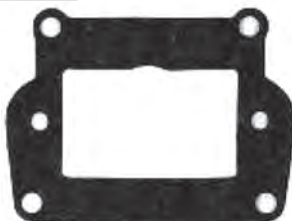
M40D2
M50D2



Ref.	R.O.
REC3F3-02104-0	3F3-02104-0

MOTORES / ENGINES / MOTORI

M60C
M70C



JUNTAS DE ESCAPE EXHAUST GASKET GUARNIZIONE SCARICO

Ref.	R.O.
REC3C8-02305-0	3C8-02305-0

MOTORES / ENGINES / MOTORI

M40D2 / B
M50D2 / B



JUNTAS CULATÍN GASKETS, HEAD COVER GUARNIZIONE TESTATA

Ref.	R.O.
REC3C8-01024-0	3C8-01024-0

MOTORES / ENGINES / MOTORI

M40D2
M50D2



Ref.	R.O.
REC3F3-01024-0	3F3-01024-0

MOTORES / ENGINES / MOTORI

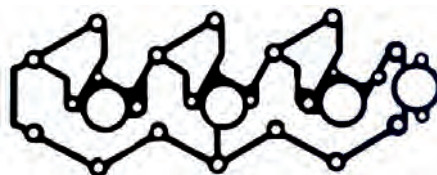
M60C
M70C



Ref.	R.O.
REC3T9-01024-0	3T9-01024-0

MOTORES / ENGINES / MOTORI

MD70B
MD90B



RETENES ACEITE OILS SEALS PARAOLIO

Ref.	R.O.
REC26-8537072	346-01215-0 18 x 28 x 6 mm

MOTORES / ENGINES / MOTORI

M25C3
M30A4
MFS25A-B / MFS30A-B
MFS40A / MFS50A



Ref.	R.O.
REC26-161301	346-60111-0 18 x 28 x 8 mm

MOTORES / ENGINES / MOTORI

M25C3
M30A4
MFS30A - B / MFS25A - B



Ref.	R.O.
REC26-161622	346-65013-0 17 x 30 x 9 mm

MOTORES / ENGINES / MOTORI

M15D2
M18E2
M25C3
M30A4
M9.9D2
MFS20C
MFS18B2
MFS15C-B2
MFS30B-A
MFS25A-B
MFS20C
MFS9.9B2-C



Ref.	R.O.
REC26-803667	350-00121-0 25 x 45 x 8 mm

MOTORES / ENGINES / MOTORI

M9.9D2
M15D2
M18E2



Ref.	R.O.
REC8M0065585	350-01215-5 25 x 69 x 9,5 mm

MOTORES / ENGINES / MOTORI

M9.9D2
M15D2
M18E2



Ref.	R.O.
REC26-16703	369-01215-0 10 x 62 x 7 mm

MOTORES / ENGINES / MOTORI

M4C / M5B / M5BS
MFS4A-B / 5A-B-C / 6A-B-C



Ref.	R.O.
REC26-16162	369-60223-0 10 x 24 x 8 mm

MOTORES / ENGINES / MOTORI

M4C / M5B / M5BS
MFS4A-B / 5A-B-C / 6A-B-C



CARBURADOR CARBURETOR CARBURATORI

Ref.	R.O.
PAF8-05040000	3FS-03100-0, 3V2-03100-2

MOTORES / ENGINES / MOTORI

MFS8 / MFS9.8HP
4 Tiempos / Stroke / Tempi



KITS CARBURADOR CARBURETOR KIT KIT CARBURATORI

Ref.	R.O.
REC84419M	345-87122-0

MOTORES / ENGINES / MOTORI

M35C
M40C
Para 2 carburadores
For 2 carburetors
Per 2 carburatori



Ref.	R.O.
REC6H3-W0093-01	346-87122-0

MOTORES / ENGINES / MOTORI

45A2 / 50C / 60C / 70A2 / M25C3 / M30A4



Ref.	R.O.
REC6G1-W0093-00	369-87122-1

MOTORES / ENGINES / MOTORI

5B / 8B / 9.8



BOYAS FLOATS GALLEGGIANTI

Ref.	R.O.
REC162532	3C8-03125-0

MOTORES / ENGINES / MOTORI

M9.9D2 / M15D2 / M18W2 / M40D2 / M50D2
MF8 / 9.8A-A2-A3
MFS15C / MFS20C



Ref.	R.O.
REC16S53	369-03231-0

MOTORES / ENGINES / MOTORI

M4B / M5B / M5BS
M6B / M8B / M9.8B



CABLE ACELERADOR THROTTLE CABLE CAVO ACCELERATORE

Ref.	R.O.
REC804898	3B2-63600-1

MOTORES / ENGINES / MOTORI

M6B / M8B / M9.8B



MEMBRANAS BOMBA COMBUSTIBLE FUEL PUMP DIAPHRAGMS MEMBRANA POMPA BENZINA

Ref.	R.O.
REC8537312	350-04005-0

MOTORES / ENGINES / MOTORI

M9.9D2 / M15D2 / M18E2 / M40D2 / M50D2



DIAFRAGMA A / DIAPHRAGM A / MEMBRANA A

Ref.	R.O.
REC16275	369-03303-0

MOTORES / ENGINES / MOTORI

M4C / M5B / M5BS / M6B / M8B / M9.8B



DIAFRAGMA B / DIAPHRAGM B / MEMBRANA B

Ref.	R.O.
REC16325	369-03306-0

MOTORES / ENGINES / MOTORI

M4C / M5B / M5BS / M6B / M8B / M9.8B



Ref.	R.O.
REC27-855569	3C8-04018-0

MOTORES / ENGINES / MOTORI

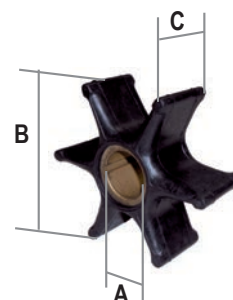
M9.9D2 / M15D2 / M18E2 / M40D2 / M50D2



GUÍA IMPULSORES / IMPELLER GUIDE / GUIDA GIRANTE

Todos los motores utilizan impulsores de 6 palas. MEDIDAS mm (A-B-C)
 All engines use 6 impellers blades. Measurements mm (A-B-C)
 Tutti i motori utilizzano giranti con 6 pale. Misure mm (A-B-C)

Modelo Model Modello	Tiempos Strokes Tempi	R.O. OEM	Ref. CEF	Ref. RECMAR	Medidas / Measurements / Misure		
					A	B	C
2HP	2	369-65021-1	CEF500377		10,25	33,60	14,30
2.5HP	2	369-65021-1	CEF500377		10,25	33,60	14,30
2.5A/3.5A/3.5B	2	309-65021-1	CEF500396		12,00	41,00	14,00
3.5HP	2	369-65021-1	CEF500377		10,25	33,60	14,30
4/5HP	2	369-65021-1	CEF500377		10,25	33,60	14,30
MFS4/5/6HP	4	369-65021-1	CEF500377		10,25	33,60	14,30
6/8/9.8HP	2	3B2-65021-1	CEF500344	REC3B2-65021-1	12,10	40,00	18,00
MFS8/9.8 HP	4	3B2-65021-1	CEF500344	REC3B2-65021-1	12,10	40,00	18,00
9.9/15/18HP	2	334-65021-0	CEF500383		13,96	40,70	23,35
MFS9.915/18HP	4	334-65021-0	CEF500383		13,96	40,70	23,35
20HP	4	334-65021-0	CEF500383		13,96	40,70	23,35
25/30HP	2	345-65021-0	CEF500382	REC345-65021-0	17,12	44,10	20,25
MFS25/30HP	4	345-65021-0	CEF500382	REC345-65021-0	17,12	44,10	20,25
35HP	2	345-65021-0	CEF500382	REC345-65021-0	17,12	44,10	20,25
40/50HP	2	345-65021-1	CEF500379		17,20	50,40	20,15
60/70/90HP	2	3B7-65021-2	CEF500388	REC3B7-65021-2	20,15	67,40	35,10
115/120/140HP	2	3C7-65021-1	CEF500388		20,15	67,40	35,10

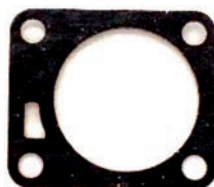


TOHATSU

JUNTAS BOMBA COMBUSTIBLE FUEL PUMP GASKETS GUARNIZIONE POMPA BENZINA

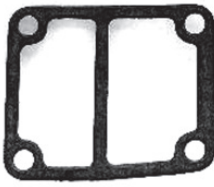
Ref.	R.O.
REC27-8555691	3C8-04028-0

MOTORES / ENGINES / MOTORI
 M9.9D2 / M15D2 / M18E2 / M40D2 / M50D2



Ref.	R.O.
REC27-16274	369-03302-0

MOTORES / ENGINES / MOTORI
 M4C / M5B / M5BS / M6B / M8B / M9.8B



Ref.	R.O.
REC27-16326	369-03307-0

MOTORES / ENGINES / MOTORI
 M4C / M5B / M5BS / M6B / M8B / M9.8B



TERMOSTATO THERMOSTAT TERMOSTATO

Ref.	R.O.	
REC885676002	3R3-01030-0	60°

MOTORES / ENGINES / MOTORI
 MFS8 - MFS30



JUNTAS TERMOSTATO THERMOSTAT GASKETS GUARNIZIONE TERMOSTATO

Ref.	R.O.
REC3T9-01032-0	3T9-01032-0

MOTORES / ENGINES / MOTORI
 MD75C2
 MD70B / C2
 MD90D / C2



COLAS LOWER UNIT PIEDI

JUNTA BOMBA AGUA WATER PUMP GASKET GUARNIZIONE POMPE ACQUA

Ref.	R.O.
REC3F0-65029-0	3F0-65029-6

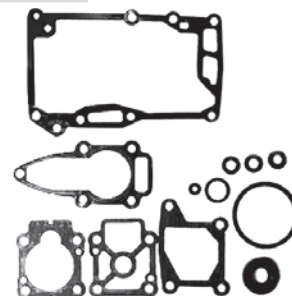
MOTORES / ENGINES / MOTORI
 M3.2B2
 MFS2.5B
 MFS3.5B
 MFS2A



KITS JUNTAS COLA LOWER UNIT SEAL GASKET KIT GUARNIZIONE PIEDE

Ref.	R.O.
REC3B2-87321-0	3B2-87321-0 4T

MOTORES / ENGINES / MOTORI
 MFS8A - 8A2
 MFS9.8A - 9.8A2



PLACA BASE BOMBA AGUA PLATE WATER PUMP PIASTRA POMPA ACQUA

Ref.	R.O.
PAF8-04000007	350-65025-0

MOTORES / ENGINES / MOTORI
 MD9.9D2 / 15D2 / 18E2
 MFS9.9B2-C / 15C / 18B2 / 20C



RECAMBIOS
MARINOS S.L.

Ref.	R.O.
REC16159	369-65025-0

MOTORES / ENGINES / MOTORI

MFS4A2-B-C
MFS5A2-B-C
MFS4A2-B-C



**CASQUILLO INOX.
CARTRIDGE, INSERT
BOCCOLA INOX**

Ref.	R.O.
REC803751	350-65011-1

MOTORES / ENGINES / MOTORI

M9.9D2 / M15D2 / M18E2
MFS9.9C - B2 / 15C-B2 / 20C / 18B2



Ref.	R.O.
REC16157	369-65011-0

MOTORES / ENGINES / MOTORI

M4B / M5B / M5B5
MFS4 / 5 / 6 -A2



Ref.	R.O.
PAF8-04000010	3B2-65011-0

MOTORES / ENGINES / MOTORI

M6 / M8 / M9.8B
MFS8 / 9.8A - A2 -A3



**GUÍA PIEZAS COLA
STERN DRIVE COMPONENTS APPLICATIONS
GUIDA RICAMBI PIEDI**

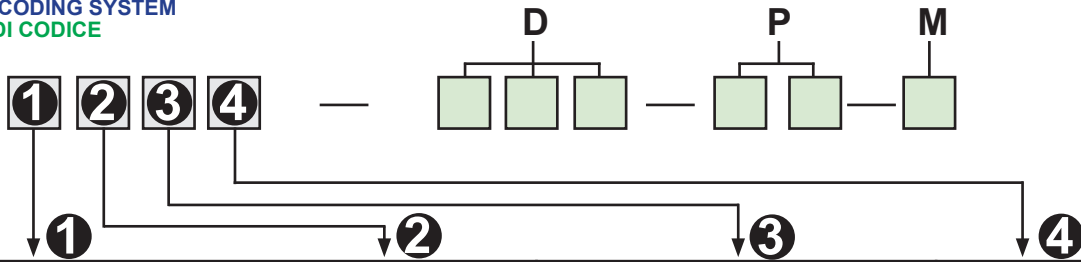
MODELO MODEL MODELLO	PIÑÓN ATAQUE GEAR PIGNONE INNESTO	PIÑÓN AVANTE GEAR FORWARD PIGNONE MARCIA AVANTI	PIÑÓN M. ATRÁS GEAR REVERSE PIGNONE MAR. INDIETRO	CLUTCH	"S" EJE TRANSMISIÓN TRANS. SHAFT ASSE TRANS.	"L" EJE TRANSMISIÓN TRANS. SHAFT ASSE TRANS.	EJE HÉLICE PROPELLER SHAFT ASSE ELICA
M2.5A-B-A2	REC43-16138	REC43-812944					
M3.5A-B-A2-B2	REC43-16138	REC43-812944					
M4C/M5B-BS	REC43-16138	REC43-812944	REC43-8129451		REC45-161351	REC8M0076368	REC44-195133
MFS4/5/6A2-B-C	REC43-16138	REC43-812944	REC43-8129451		REC45-161351	REC8M0076368	REC44-195133
MFS8/9.8B	PAF8-04000003	PAF8-04010000	PAF8-04000014				PAF8-04000301
MFS8A2-3/MFS9.8A2-3	PAF8-04000003	PAF8-04010000	PAF8-04000014	PAF8-04000303	PAF8-04020001S	PAF8-04020001L	PAF8-04000301
M9.9/15D2/M18E2	REC43-803740	REC43-803739	REC43-803741	REC43-803741	REC45-803738	REC45-8037381	REC879147T96
MFS9.9B2/15B2/18B2	REC43-803740T02	REC43-803739T03	REC43-803741T03	REC43-803741			REC879147T96

**GUÍA MANTENIMIENTO
MAINTENANCE GUIDE
GUIDA DI MANUTENZIONE**

Modelo Model Modello	DESCRIPCIÓN	DESCRIPTION	DESCRIZIONE	Unidades Units M*****	Ref.
MFS4 MFS5 MFS6	BUJÍA	SPARK PLUG	CANDELE	1	NGKDCPR6E
	ÁNODO	ANODE DRIVE	ANODO	1	TEN01259
	IMPULSOR	IMPELLER	GIRANTE	1	CEF500377
	FILTRO COMBUSTIBLE	FUEL FILTER	FILTRO BENZINA	1	PAF4-05000300
MFS8 MFS9.8	BUJÍA	SPARK PLUG	CANDELE	2	NGKDCPR6E
	ÁNODO BLOQUE	ANODE ENGINE	ANODO MOTORE	1	TEN01258
	IMPULSOR	IMPELLER	GIRANTE	1	CEF500344
	FILTRO COMBUSTIBLE	FUEL FILTER	FILTRO BENZINA	1	PAF4-05000300
	TERMOSTATO	THERMOSTAT	TERMOSTATO	1	REC855676002
	CORREA DISTRIBUCIÓN	TIMING BELT	CINGHIE DISTRIBUZIONE	1	PAF8-05000004
MFS9.9 MFS15 MFS18	ÁNODO COLA	ANODE DRIVE	ANODO PIEDE	1	TEN01260
	BUJÍA	SPARK PLUG	CANDELE	2	NGKDCPR6E
	ÁNODO BLOQUE	ANODE ENGINE	ANODO MOTORE	1	TEN01258
	IMPULSOR	IMPELLER	GIRANTE	1	CEF500383
	FILTRO COMBUSTIBLE	FUEL FILTER	FILTRO BENZINA	1	PAF4-05000300
	FILTRO ACEITE	OIL FILTER	FILTRO OLIO	1	REC5GH-13440-00
MFS25 MFS30	TERMOSTATO	THERMOSTAT	TERMOSTATO	1	REC855676002
	ÁNODO TRANSOM	TRANSOM ANODE	ANODO TRANSOM	1	TEN01250
	BUJÍA	SPARK PLUG	CANDELE	2	NGKDCPR6E
	ÁNODO BLOQUE	ANODE ENGINE	ANODO MOTORE	1	TEN01258
	IMPULSOR	IMPELLER	GIRANTE	1	CEF500382
	FILTRO COMBUSTIBLE	FUEL FILTER	FILTRO BENZINA	1	PAF4-05000300
MFS25 MFS30	TERMOSTATO	THERMOSTAT	TERMOSTATO	1	REC855676002
	FILTRO ACEITE	OIL FILTER	FILTRO OLIO	1	REC5GH-13440-00
	ÁNODO TRANSOM	TRANSOM ANODE	ANODO TRANSOM	1	TEN01256
	ÁNODO COLA	ANODE DRIVE	ANODO PIEDE	1	TEN01253

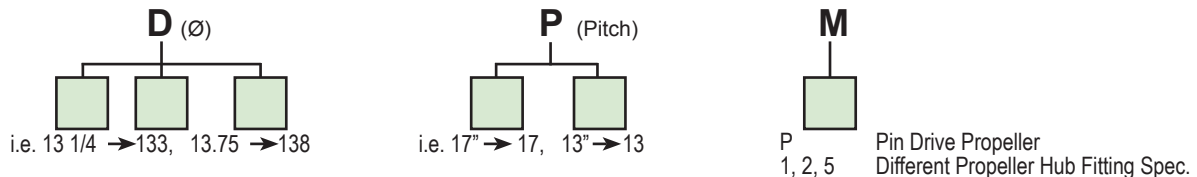
HÉLICES ALUMINO E INOXIDABLES DE 3 Y 4 PALAS 3 & 4 BLADE ALUMINUM & STAINLESS STEEL PROPELLERS ELICHE ALLUMINIO E INOX DA 3 E 4 PALE

SISTEMA CODIGO REFERENCIAS
PART NO. CODING SYSTEM
SISTEMA DI CODICE



<ol style="list-style-type: none"> 1. Mercury, Mariner 2. Johnson, Evinrude 3. Yamaha 4. Suzuki 5. Tohatsu 6. 7. 8. Volvo Penta 9. Rubex System 	<ol style="list-style-type: none"> 0.5, 6, 8 and 9.8 HP Grupo /Group / Gruppo 1. A Grupo /Group / Gruppo 2. B Grupo /Group / Gruppo 3. C Grupo /Group / Gruppo 4. D Grupo /Group / Gruppo 5. E Grupo /Group / Gruppo 6. F Grupo /Group / Gruppo 7. VP (Cubo std./Std. Hub / mozzo std.) 8. VP (Cubo largo /Long Hub / mozzo lungo) 	<ol style="list-style-type: none"> 1. Aluminio /Aluminum / Alluminio 2. Saturn Acero inox. /S.S. / Acciaio inox. 3. New Saturn Acero inox. /S.S. / Acciaio inox. 4. Titan Acero inox. /S.S. / Acciaio inox. 5. HR Titan Acero inox. /S.S. / Acciaio inox. 	<ol style="list-style-type: none"> 1. 3R Rubber Hub 2. 3L Rubber Hub 3. 4R Rubber Hub 4. 4L Rubber Hub
--	---	--	--

Ejemplo / Note / Esempio



SOLAS

AMITA 3

- Hélices de aluminio de 3 palas con núcleo de goma de gran resistencia.
- 3 blade aluminum propeller with heavy duty rubber hub.
- Eliche di alluminio a 3 pale con mozzi in gomma ad alta resistenza.



SOLAS

LEXOR PROPELLER

- Hélices de acero inoxidable de 3 palas.
- Gran diámetro del área de las palas para barcos pesados.
- Gran rendimiento en alta velocidad sin sacrificar las velocidades medias.
- Excelente ahorro de combustible.
- Three blade stainless steel propeller.
- Large diameter and blade area for big boat loads.
- Great high speed performance without sacrificing mid-range speeds.
- Excellent fuel economy.
- Eliche di acciaio inox a 3 pale.
- Grande diametro delle pale per imbarcazioni pesanti.
- Grandi prestazioni ad alta velocità senza sacrificare velocità medie.
- Eccellente risparmio di carburante in navi al largo..



SOLAS

AMITA 4

- Hélices de aluminio de 4 palas con núcleo de goma de gran resistencia.
- Van muy suaves a poca velocidad y hace el barco muy manejable con la mar picada.
- 4 Blade aluminum propeller with heavy duty rubber hub.
- Smoother low speed makes the offshore boating activity much easier.
- Eliche di alluminio a 4 pale con mozzo in gomma ad alta resistenza.
- Molto morbido a bassa velocità e rende la barca molto maneggevole con mare cattivo.



SOLAS

NEW SATURN PROP

- Hélices de acero inoxidable de 3 palas.
- Ofrece buena aceleración y rendimiento.
- Tamaño más pequeño que ofrece un diámetro extragrande.
- Three blade stainless steel propeller.
- Offers good acceleration & all-round performance.
- Smaller pitch sizes offered in extra large diameter with increased blade area.
- Eliche di acciaio inox a 3 pale.
- Buona accelerazione.
- Piccole dimensioni che offre un più grande diametro.



GUÍA DE HÉLICES ALUMINO E INOXIDABLES DE 3 Y 4 PALAS 3 & 4 BLADE ALUMINUM & STAINLESS STEEL PROPELLERS APPLICATION GUIDA ELICHE ALLUMINIO E INOX DA 3 E 4 PALE

HP	R.O. OEM	B	D	P	R	TIPO TYPE	ALUMINIO ALUMINIUM ALLUMINIO		INOX STAINLESS STEEL		
							AMITA 3	AMITA 4	NEW SATURN	TITAN	HR TITAN 3
5 (2T) 4, 5, 6 (4T)		3 3	7,8 7,8	7 8	R R	Alum Alum	SOL5011-078-07 SOL5011-078-08				
8, 9'8 (2T) 8, 9'8 (4T)	3B2-64513-0 3B2-64515-0	3 3	8,5 8,5	6,5 7,5	R R	Alum Alum	SOL5011-085-07 SOL5011-085-08				
12 Estrías 12 tooth spline 12 denti	3B2-64517-0	3	8,5	8,5	R	Alum	SOL5011-085-09				
9'9, 12, 15, 18 (2T) 9'9, 15, 18, 20 (4T)	362-64105-0 362-64103-0 362-64101-0	3 3 3	9,2 9,2 9,2	6,9 7,8 8,8	R R R	Alum Alum Alum	SOL5111-093-07 SOL5111-093-08 SOL5111-093-09				
14 Estrías 14 tooth spline 14 denti	- 362-64108-0	3 3	9,2 9,2	9,1 9,8	R R	Alum Alum	SOL5111-093-09 SOL5111-093-10 SOL5111-093-11				
25, 30 (2T) 25, 30 (4T)	346-64106-5 346-64101-5	3 3	10,2 9,8	8,3 9,3	R R	Alum Alum	SOL5211-099-09 SOL5211-099-10				
10 Estrías 10 tooth spline 10 denti	346-64102-5 346-64103-5 346-64104-5	3 3 3	9,8 9,8 9,8	10,2 11,3 13,1	R R R	Alum Alum Alum	SOL5211-099-11 SOL5211-099-13	SOL5213-102-11 SOL5213-100-13			
35, 40, 50, 55 (2T)	361-64113-0 361-64114-0 348-64102-0 348-64103-0 3E3-64528-0 3E3-64536-0	3 3 3 3 3 3	12,2 12,2 12,1 11,6 11,4 11,1	7 8 9 11 12 13	R R R R R R	Alum Alum Alum Alum Alum Alum	SOL5311-122-07 SOL5311-122-08 SOL5311-121-09 SOL5311-116-11 SOL5311-114-12 SOL5311-111-13 SOL5311-111-14 SOL5311-110-15 SOL5311-110-16 SOL5311-110-17	SOL5313-118-09 SOL5313-111-11 SOL5313-108-12 SOL5313-105-13 SOL5313-105-14			
60, 70, 90, 115, 120, 140 (2T)	3B7-64523-1 3B7-64527-1 3C7-64536-0 3C7-64541-0 3C7-64554-0	3 3 3 3 3	14 13,75 13,5 13,25 13	11 13 15 17 19 21	R R R R R R	Alum Alum Alum Alum Alum Alum	SOL3411-140-11 SOL3411-138-13 SOL3411-135-15 SOL3411-133-17 SOL3411-130-19 SOL3411-130-21	SOL3413-133-13 SOL3413-130-15 SOL3413-128-17 SOL3413-125-19 SOL3413-125-21	SOL3431-135-15 SOL3431-133-17 SOL3431-130-19		

B= PALAS / Blades / Pale

D= DIÁMETRO / Diametre / Diametro

R=ROTACIÓN / Rotation / Rotazione

(R) Derecha / Right / DX

(L) Izquierda / Left / SX

GUÍA DE NÚCLEOS HUB KIT APPLICATION CHAST GUIDA MOZZI INTERCambiabili

SOLAS Altas prestaciones / núcleo de goma
Intercambiable con sistemas flo-torq & Vortex System.
Disponibile in acero inox y aluminio.

SOLAS High performance / Ruber Hub
Interchangeable with flo-torq & Vortex System.
Available in stainless Steel & Aluminium Propeller.

SOLAS Alte prestazioni / mozzo intercambiabile di gomma
con sistema flo-torq & Vortex System.
Disponibile in acciaio inox e alluminio.



RUBEX

MODELO MODEL MODELLO	REF. KIT	MODELO HÉLICE PROPELLER TYPE MODELLO ELICA
35HP (35B only) Thru 1984; 40HP (1984+), 50HP (All except 50C) (1992+) 13 Estrías / tooth spline / denti	RBX-116	C
50HP (50C only) (1987-91); 55HP (1981-88); 60A (1986+) 70A/70B (1981+) 13 Estrías / tooth spline / denti	RBX-112	C
90-140HP, (1987+) 13 Estrías / tooth spline / denti	RBX-109	D

GUÍA HÉLICES ALUMINIO PROPELLERS ALUMINUM CHART GUIDA ELICHE ALLUMINIO

Modelo / Model / Modello C 30-75 H.P. 3 PALAS / 3 BLADE / 3 PALE				
B	D	P	R	Ref.
3	11,4	12	R	SOL9311-114-12
3	11.1	13	R	SOL9311-111-13

Modelo / Model / Modello D 40-14 H.P. 3 PALAS / 3 BLADE / 3 PALE				
B	D	P	R	Ref.
3	14	9	R	SOL9411-140-09
3	14	11	R	SOL9411-140-11
3	13.75	13	R	SOL9411-138-12
3	13.5	15	R	SOL9411-135-15
3	13.25	17	R	SOL9411-133-17
3	13.2	19	R	SOL9511-132-19
3	13.2	21	R	SOL9511-132-21

Modelo / Model / Modello E 135-350 H.P. 3 PALAS / 3 BLADE / 3 PALE				
B	D	P	R	Ref.
3	15.5	11	R	SOL9511-155-11
3	16	13	R	SOL9511-160-13
3	15.3	13	R	SOL9511-153-13
3	15	15	R	SOL9511-150-15
3	15	15	L	SOL9512-150-15
3	14.8	17	R	SOL9511-148-17
3	14.8	17	L	SOL9512-148-17
3	14.5	19	R	SOL9511-145-19
3	14.5	19	L	SOL9512-145-19
3	14.3	21	R	SOL9511-143-21
3	14.3	21	L	SOL9512-143-21

RUBEX



Helice de aluminio con núcleo intercambiable (no incluido).
Aluminium interchangeable hub propellers (not included).
Eliche in alluminio con mozzo intercambiable (non incluso).

GUÍA HÉLICES INOX. STAINLESS STEEL PROPELLERS APLICATION CHART GUIDA ELICHE INOX

Modelo / Model / Modello D 40-14 H.P. 3 PALAS / 3 BLADE / 3 PALE				
B	D	P	R	Ref.
3	13 3/4	13	R	SOL9431-138-13
3	13 3/4	13	L	SOL9432-138-13
3	13 1/2	15	R	SOL9431-135-15
3	13 1/2	15	L	SOL9432-135-15
3	13 1/4	17	R	SOL9431-133-17
3	13 1/4	17	L	SOL9432-133-17
3	13	19	R	SOL9431-130-19
3	13	19	L	SOL9432-130-19
3	13	21	R	SOL9431-130-21

Modelo / Model / Modello E 90-140 H.P. 3 PALAS / 3 BLADE / 3 PALE				
B	D	P	R	Ref.
3	14 1/2	15	R	SOL9531-145-15
3	14 1/2	15	L	SOL9532-145-15
3	14 1/4	17	R	SOL9531-143-17
3	14 1/4	17	L	SOL9532-143-17
3	14	19	R	SOL9531-140-19
3	14	19	L	SOL9532-140-19
3	14	21	R	SOL9531-140-21
3	14	21	L	SOL9532-140-21
3	14	23	R	SOL9531-140-23
3	14	23	L	SOL9532-140-23

RUBEX



Helice de acero inox. con núcleo intercambiable (no incluido).
Stainless steel interchangeable hub propellers (not included).
Eliche di acciaio inox con mozzo intercambiable (non incluso).

ÍNDICE

SISTEMA DE REFRIGERACIÓN	PÁG
IMPULSORES	354
COLAS Y COMPONENTES	PÁG
ÁNODOS ZINC Y ALUMINIO	352-352
HÉLICES Y GUIA DE APLICACIÓN	353
GUÍA DE MANTENIMIENTO	354-355

TABLE OF CONTENTS

COOLING SYSTEM	PAGE
IMPELLERS	354
UNIT DRIVES & COMPONENTS	PAGE
ZINC & ALUMINIUM ANODES	351-352
PROPELLERS & APLICATION GUIDE	353
MANITENANCE GUIDE	354-355

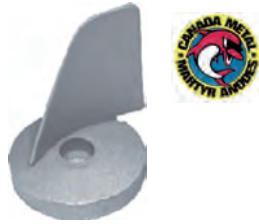
INDICE

SISTEMA DI RAFFREDDAMENTO	PAGINA
GIRANTE	354
PIEDI E COMPONENTI	PAGINA
ANODI ZINCO E ALLUMINIO	351-352
ELICHE E GUIDA APPLICAZIONE	353
GUIDA DI MANUTENZIONE	354-355

ÁNODOS ANODES ANODI

Ref.	R.O.	Peso Weight Peso
CM2500065	2500065	Cinc / Zinc / Zinco 0,10 kg

MOTORES / ENGINES / MOTORI
25 - 40 HP



Ref.	R.O.	Peso Weight Peso
CM9005655	9005655	Cinc / Zinc / Zinco 0,03 kg



Ref.	R.O.	Peso Weight Peso
CM9005660	9005660	Cinc / Zinc / Zinco 0,03 kg



Ref.	R.O.	Peso Weight Peso
CM9005665	9005665	Cinc / Zinc / Zinco 0,11 kg



Ref.	R.O.	Peso Weight Peso
CM2504015	2504015	Cinc / Zinc / Zinco 0,39 kg

MOTORES / ENGINES / MOTORI
40 - 100 HP



Ref.	R.O.	Peso Weight Peso
CM2500010	2500010	Cinc / Zinc / Zinco 0,10 kg

MOTORES / ENGINES / MOTORI
6 - 8 - 9.9 - 15 HP



Ref.	R.O.	Peso Weight Peso
CM67C-45251-00		Cinc / Zinc / Zinco 0,12 kg



Ref.	R.O.	Peso Weight Peso
CM55300-95500	55300-95500	Cinc / Zinc / Zinco 0,08 kg

MOTORES / ENGINES / MOTORI
2 - 8 HP



Ref.	Motors Engines Motori		Peso Weight Peso
CM2504020	405 - 700	Cinc / Zinc / Zinco	0,21 kg
CM2504025	100 hp	Cinc / Zinc / Zinco	0,31 kg
CM2504035	80 HP IZMIR	Cinc / Zinc / Zinco	0,10 kg
	15 HP NAXOS	Cinc / Zinc / Zinco	0,10 kg



Ref.	R.O.	Peso Weight Peso
CM82795M	25040151	Cinc / Zinc / Zinco 0,20 kg

MOTORES / ENGINES / MOTORI
25 - 30 HP



Ref.	R.O.	Peso Weight Peso
CM2500050	2500050	Cinc / Zinc / Zinco 0,17 kg

MOTORES / ENGINES / MOTORI
BEST 800 - S1000



Ref.	R.O.	Peso Weight Peso
CM55320-98400	41811-98400	Cinc / Zinc / Zinco 0,05 kg

MOTORES / ENGINES / MOTORI
9.9 - 15 HP



Ref.	R.O.	Peso Weight Peso
CM55320-98500	41811-98500	Cinc / Zinc / Zinco 0,05 kg

MOTORES / ENGINES / MOTORI
2.2 - 4 HP



Ref.	R.O.	Peso Weight Peso
CM55321-94900	55320-94900	Cinc / Zinc / Zinco 0,51 kg
CM55321-94900A	55320-94900	Aluminio / Aluminium / Alluminio 0,11 kg

MOTORES / ENGINES / MOTORI
70, 90, 115, 140, 150 HP



Ref.	R.O.	Peso Weight Peso
TEN01914		Cinc / Zinc / Zinco 0,070 kg

MOTORES / ENGINES / MOTORI
80 - 100 HP



Ref.	R.O.	Peso Weight Peso
TEN01915	Cinc / Zinc / Zinco	0,100 kg



Ref.	R.O.	Peso Weight Peso
TEN01916	3C8-60217-1 Cinc / Zinc / Zinco	0,120 kg



Ref.	R.O.	Peso Weight Peso
TEN01900	9005655 Cinc / Zinc / Zinco	0,030 kg

MOTORES / ENGINES / MOTORI
Serie PIATTA FB



Ref.	R.O.	Peso Weight Peso
TEN01901	9005660 Cinc / Zinc / Zinco	0,030 kg

MOTORES / ENGINES / MOTORI
Serie CURVA FB



Ref.	R.O.	Peso Weight Peso
TEN01902	2500010 Cinc / Zinc / Zinco	0,100 kg

MOTORES / ENGINES / MOTORI
Serie 6 8 - 9.9 - 15 HP



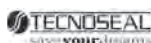
Ref.	R.O.	Peso Weight Peso
TEN01903	2500050 Cinc / Zinc / Zinco	0,200 kg

MOTORES / ENGINES / MOTORI
Serie BEST 800 - S1000



Ref.	R.O.	Peso Weight Peso
TEN01904	2504030 Cinc / Zinc / Zinco	0,010 kg

MOTORES / ENGINES / MOTORI
Serie 6 HP



Ref.	R.O.	Peso Weight Peso
TEN01905	MOTORES / ENGINES / MOTORI Cinc / Zinc / Zinco	0,140 kg



Ref.	R.O.	Peso Weight Peso
TEN01906	2500065 Cinc / Zinc / Zinco	0,070 kg

MOTORES / ENGINES / MOTORI
Serie 25 - 40 HP



Ref.	R.O.	Peso Weight Peso
TEN01907	2504025 Cinc / Zinc / Zinco	0,140 kg

MOTORES / ENGINES / MOTORI
Serie 100 HP



Ref.	R.O.	Peso Weight Peso
TEN01908	2504020 Cinc / Zinc / Zinco	0,210 kg

Serie S405 - S700



Ref.	R.O.	Peso Weight Peso
TEN01912	2504035 Cinc / Zinc / Zinco	0,100 kg

MOTORES / ENGINES / MOTORI
Serie IZMIR 8 CV - NAXOS 15 CV



Ref.	R.O.	Peso Weight Peso
TEN01909	2504015 Cinc / Zinc / Zinco	0,400 kg



Ref.	R.O.	Peso Weight Peso
TEN01913	Cinc / Zinc / Zinco	0,220 kg

MOTORES / ENGINES / MOTORI
Serie MANTA BARRACUDA



GUÍA DE HÉLICES ALUMINO E INOXIDABLES DE 3 Y 4 PALAS 3 & 4 BLADE ALUMINUM & STAINLESS STEEL PROPELLERS APPLICATION GUIDA ELICHE ALLUMINIO E INOX DA 3 E 4 PALE

HP	R.O. OEM	B	D	P	R	TIPO TYPE	ALUMINIO ALUMINIUM ALLUMINIO		INOX STAINLESS STEEL
							AMITA 3	AMITA 4	NEW SATURN
RAY 8 (4T)	6G1-45947-00-EL	3	8 1/2	6 1/2	R	Alum	SOL3011-085-07		
	6G1-45943-00-EL	3	8 1/2	7 1/2	R	Alum	SOL3011-085-08		
	6G1-45941-00-EL	3	8 1/2	8 1/2	R	Alum	SOL3011-085-09		
SELVA 9.9 / 15 HP (2T)	2501300	3	10	7	R	Alum	SOL2111-093-07		
		3	9 1/4	8	R	Alum	SOL2111-093-08		
				9	R		SOL2111-093-09		
		3	9	10	R	Alum	SOL2111-093-10		
		3	9	11	R	Alum	SOL2111-093-11		
DOLPHIN 9.9 (S) DOLPHIN 9.9 (L) DOLPHIN 15 (4T)	683-45947-00-EL	3	9 1/4	8	R	Alum	SOL3111-093-08		
	683-45945-00-EL	3	9 1/4	9	R	Alum	SOL3111-093-09		
	683-45952-00-EL	3	9 1/4	9 3/4	R	Alum	SOL3111-093-10		
	683-45943-00-EL	3	9 1/4	10 1/2	R	Alum	SOL3111-093-11		
ANTIBES 20xs ANTIBES 25 ANTIBES 30 MAIORCA 35 (2T)	2505500	3	10 1/2	11	R	Alum	SOL2211-105-11		
	2505500	3	10 1/2	13	R	Alum	SOL2211-105-13		
	2505520	3	10 1/2	12	R	Alum	SOL2211-103-12		
	2505570		10 1/2	12.5	R	Alum	SOL2211-101-13		
MORAY 25 (4T)	664-45945-00-EL	3	9 7/8	10 1/2	R	Alum	SOL3211-099-10		
		3	9 7/8	11 1/4	R	Alum	SOL3211-099-11		
		3	9 7/8	12	R	Alum	SOL3211-099-12		
		3	9 7/8	13	R	Alum	SOL3211-099-13		
		3	10 3/4	10	R	SS			
		3	10 1/2	11	R	SS			SOL3231-105-11
		3	10 1/4	12	R	SS			SOL3231-103-12
MADEIRA 40 MADEIRA 40/50 ST. TROPEZ 40 ST. TROPEZ 40/60 (2T)	2505895	3	12 1/2	14	R	Alum	SOL2311-125-14		
	2506050	3	12 1/4	15	R	Alum	SOL2311-123-15		
	2506060	3	11 3/4	17	R	Alum	SOL2311-120-17		
MANTA 40 BARRACUDA 50/40 DORADO 60/40 (4T)	663-45956-01-EL	3	12 1/4	9	R	Alum	SOL3311-121-09		
	663-45947-02-EL	3	11 5/8	11	R	Alum	SOL3311-116-11		
	663-45952-02-EL	3	11 3/4	12	R	Alum	SOL3311-114-12		
	663-45945-02-EL	3	11 1/8	13	R	Alum	SOL3311-111-13		
	663-45958-01-EL	3	11 1/4	14	R	Alum	SOL3311-111-14		
	663-45943-02-EL	3	11	15	R	Alum	SOL3311-110-15		
	663-45949-01-EL	3	10 3/4	16	R	Alum	SOL3311-110-16		
	663-45941-01-EL	3	11	17	R	Alum	SOL3311-110-17		
		3	11 7/8	10	R	SS			SOL3331-119-10
		3	11 5/8	11	R	SS			SOL3331-116-11
		3	11 3/8	12	R	SS			SOL3331-114-12
TENERIFE 70 BEST 800 PORTOFIN 70 PORTOFINO 75xs PORTOFINO 80 SUPERBEST 1000 MONTECARLO 90 MONTECARLO 100 (2T)	2505860	3	14	11	R	Alum	SOL2411-140-11		
	2505860	3	14	13	R	Alum	SOL2411-138-13	SOL2413-133-13	
	2506020	3	13 3/4	15	R	Alum	SOL2411-135-13	SOL2413-130-15	SOL2431-135-15
	2506020	3	14	17	R	Alum	SOL2411-133-17	SOL2413-128-17	SOL2431-133-17
	2506020	3	14	19	R	Alum	SOL2411-130-19	SOL2413-125-19	SOL2431-130-19
	2505840	3	14	21	R	Alum	SOL2411-130-21	SOL2413-125-21	SOL2431-130-21
	2506030	3	13 3/4	15	R	SST			SOL2431-135-15
	2506030	3	13 3/8	17	R	SST			SOL2431-133-17
		3	13	19	R	SST			SOL2431-130-19
		3	12 3/4	21	R	SST			SOL2431-130-21
MARLIN 100 NARWHAL 115 (4T)	6E5-45954-00-EL	3	14	11	R	Alum	SOL3411-140-11		
	6E5-45949-00-EL	3	13 5/8	13	R	Alum	SOL3411-138-13	SOL3413-133-13	
		3	13 1/8	13	L	Alum	SOL3412-138-13		
	6E5-45947-00-EL	3	13 1/2	15	R	Alum	SOL3411-135-15	SOL3413-130-15	
		3	13 1/2	15	L	Alum	SOL3412-135-15		
	6E5-45945-00-EL	3	13 1/4	17	R	Alum	SOL3411-133-17	SOL3513-128-17	
		3	13 1/4	17	L	Alum	SOL3412-133-17		
	6E5-45941-00-EL	3	13	19	R	Alum	SOL3411-130-19	SOL3413-125-19	
	6E5-45943-00-EL	3	12 5/8	21	R	Alum	SOL3411-130-21	SOL3413-125-21	
	688-45978-90-98	3	13 1/2	15	R	SS			SOL3431-135-15
	688-45930-02-98	3	13	17	R	SS			SOL3431-133-17
688-45970-03-98	3	13	19	R	SS			SOL3431-130-19	
688-45972-02-98	3	13	21	R	SS			SOL3431-130-21	
WHITE SHARK 150 HPDFI (2T)	6G5-45941-00-98	3	15	15	R	Alum	SOL3511-150-15	SOL3513-148-15	
	6G5-45952-00-98	3	15	15	L	Alum	SOL3512-150-15	SOL3514-148-15	
	6G5-45947-01-98	3	14.8	17	R	Alum	SOL3511-148-17	SOL3513-145-17	
	6K1-45947-00-98	3	14.8	17	L	Alum	SOL3512-148-17	SOL3514-145-17	
	6G5-45945-01-98	3	14.5	19	R	Alum	SOL3511-145-19	SOL3513-143-19	
	6K1-45945-01-98	3	14.5	19	L	Alum	SOL3512-145-19	SOL3514-143-19	
	6G5-45949-00-98	3	14.3	21	R	Alum	SOL3511-143-21	SOL3513-140-21	
		3	14.3	21	L	Alum	SOL3512-143-21	SOL3514-140-21	
		3	14.2	23	R	Alum	SOL3511-142-23		
		3	14.2	23	L	Alum	SOL3512-142-23		

B= PALAS / Blades / Pale
D= DIÁMETRO / Diametre / Diametro

R=ROTACIÓN / Rotation / Rotazione
(R) Derecha / Right / DX,

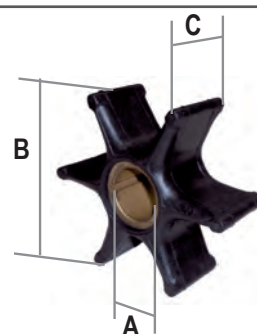
(L) Izquierda / Left / SX

SELVA

RECAMBIOS
MARINOS S.L.

GUÍA IMPULSORES IMPELLER GUIDE GUIDA GIRANTE

Modelo Model Modello	Tiempos Strokes Tempi	Ref. CEF	Ref. RECMAR	Medidas / Measurements / Misure		
				A	B	C
2.5	4	CEF500376		12,20	48,50	15,00
3.5/4	2	CEF500376		12,20	48,50	15,00
5/6 OYSTER	4	CEF500375		12,00	43,00	12,00
7.5 BLACK BASS	4	CEF500375		12,20	43,00	12,00
8 RAY	4	CEF500368	REC68T-44352-00	11,60	53,00	14,00
6/8/9.9	4	CEF500387		13,20	48,00	15,00
9.9 PIKE	4	CEF500363	REC63V-44352-01	12,85	53,00	14,00
9.9/15	2	CEF500387		13,20	48,00	15,00
15/20 WAHOO	4	CEF500363	REC63V-44352-01	12,85	53,00	14,00
25 KINGFISH	4	CEF500385G	REC6H4-44352-02	16,10	51,20	19,05
25/30/35	2	CEF500386		15,20	53,00	20,50
40 ARUANA EFI	4	CEF500385G	REC6H4-44352-02	16,10	51,20	19,05
40/50/60 DORADO XS-R-EFI	4	CEF500316	REC6H3-44352-00	18,05	51,80	19,00
40/50/60/70/80	2	CEF500304		18,20	58,620	22,50
80/100 MARLIN EFI	4	CEF500364	REC67F-44352-00	20,00	58,20	34,70
115 /150/200/225/250 EFI	4	CEF500371	REC6E5-44352-01	22,40	89,300	31,00



Todos los motores utilizan impulsores de 6 palas. MEDIDAS mm (A-B-C)
All engines use 6 impellers blades.
Measurements mm (A-B-C)
Tutti i motori utilizzano giranti con 6 pale. Misure mm (A-B-C)

GUÍA MANTENIMIENTO MAINTENANCE GUIDE GUIDA DI MANUTENZIONE

Modelo Model Modello	DESCRIPCIÓN	DESCRIPTION	DESCRIZIONE	Unidades Units Cnt.	Ref.
RAY 8	BUJÍA	SPARK PLUG	CANDELE	2	NGKBR6HS-10
	ÁNODO BLOQUE	ANODE ENGINE	ANODO MOTORE	1	CM6G8-11325-00
	IMPULSOR	IMPELLER	GIRANTE	1	REC68T-44352-00
	FILTRO COMBUSTIBLE	FUEL FILTER	FILTRO BENZINA	1	REC68T-24251-00
	TERMOSTATO	THERMOSTAT	TERMOSTATO	1	PAF15-07000031
	ANODO COLA	ANODE DRIVE	ANODO PIEDE	1	CM68T-45251-00
PIKE 9.9	BUJÍA	SPARK PLUG	CANDELE	2	NGKBR6HS-10
	ÁNODO BLOQUE	ANODE ENGINE	ANODO MOTORE	1	CM6G8-11325-00
	IMPULSOR	IMPELLER	GIRANTE	1	REC68T-44352-00
	FILTRO COMBUSTIBLE	FUEL FILTER	FILTRO BENZINA	1	REC68T-24251-00
	TERMOSTATO	THERMOSTAT	TERMOSTATO	1	PAF15-07000031
	ANODO COLA	ANODE DRIVE	ANODO PIEDE	1	CM68T-45251-00
WAHOO 15/20	BUJÍA	SPARK PLUG	CANDELE	2	NGKDPR6EB-9
	ÁNODO BLOQUE	ANODE ENGINE	ANODO MOTORE	4	CM6G8-11325-00
	ÁNODO BLOQUE	ANODE ENGINE	ANODO MOTORE	1	TEN01152
	IMPULSOR	IMPELLER	GIRANTE	1	REC63V-44352-01
	FILTRO COMBUSTIBLE	FUEL FILTER	FILTRO BENZINA	1	REC61N-24563-10
	FILTRO ACEITE	OIL FILTER	FILTRO OLIO	1	REC5GH-13440-00
	ANODO TRANSOM	TRANSOM ANODE	ANODO TRANSOM	1	TEN01123
	ANODO COLA	ANODE DRIVE	ANODO PIEDE	1	TEN01154
KINGFISH 25	BUJÍA	SPARK PLUG	CANDELE	2	NGKDPR6EB-9
	ÁNODO BLOQUE	ANODE ENGINE	ANODO MOTORE	1	CM6G8-11325-00
	ÁNODO BLOQUE	ANODE ENGINE	ANODO MOTORE	2	TEN01161
	ÁNODO BLOQUE	ANODE ENGINE	ANODO MOTORE	1	CM62Y-11325-00
	IMPULSOR	IMPELLER	GIRANTE	1	REC6H4-44352-02
	FILTRO COMBUSTIBLE	FUEL FILTER	FILTRO BENZINA	1	REC61N-24563-10
	TERMOSTATO	THERMOSTAT	TERMOSTATO	1	PAF15-07000031
	FILTRO ACEITE	OIL FILTER	FILTRO OLIO	1	REC5GH-13440-00
	ANODO TRANSOM	TRANSOM ANODE	ANODO TRANSOM	1	TEN01123
	ANODO COLA	ANODE DRIVE	ANODO PIEDE	1	TEN01130
	ANODO COLA	ANODE DRIVE	ANODO PIEDE	1	CM61N-45251-01
ARUANA EFI 40	BUJÍA	SPARK PLUG	CANDELE	3	NGKDPR6EB-9
	ÁNODO BLOQUE	ANODE ENGINE	ANODO MOTORE	4	CM6G8-11325-00
	ÁNODO BLOQUE	ANODE ENGINE	ANODO MOTORE	1	CM62Y-11325-00
	IMPULSOR	IMPELLER	GIRANTE	1	REC6H4-44352-02
	FILTRO COMBUSTIBLE	FUEL FILTER	FILTRO BENZINA	1	REC6D8-WS24A-00
	TERMOSTATO	THERMOSTAT	TERMOSTATO	1	PAF15-07000031
	FILTRO ACEITE	OIL FILTER	FILTRO OLIO	1	REC5GH-13440-00
	ANODO TRANSOM	TRANSOM ANODE	ANODO TRANSOM	1	TEN01123
	ANODO COLA	ANODE DRIVE	ANODO PIEDE	1	CM67C-45251-00
	ANODO COLA	ANODE DRIVE	ANODO PIEDE	1	CM67C-45371-00

Modelo Model Modello	DESCRIPCIÓN	DESCRIPTION	DESCRIZIONE	Unidades Units Qt.	Ref.
DORADO EFI 40XS-R 50-XSR 60-XSR	BUJÍA	SPARK PLUG	CANDELE	1	NGKDPR6EB-9
	ÁNODO BLOQUE	ANODE ENGINE	ANODO MOTORE	4	CM6G8-11325-00
	ÁNODO BLOQUE	ANODE ENGINE	ANODO MOTORE	1	CM62Y-11325-00
	IMPULSOR	IMPELLER	GIRANTE	1	REC6H3-44352-00
	FILTRO COMBUSTIBLE	FUEL FILTER	FILTRO BENZINA	1	REC6D8-WS24A-00
	TERMOSTATO	THERMOSTAT	TERMOSTATO	1	PAF15-07000031
	FILTRO ACEITE	OIL FILTER	FILTRO OLIO	1	REC5GH-13440-00
	ANODO TRANSOM	TRANSOM ANODE	ANODO TRANSOM	1	TEN01123
	ANODO COLA	ANODE DRIVE	ANODO PIEDE	1	CM67C-45251-00
ANODO COLA	ANODE DRIVE	ANODO PIEDE	1	CM67C-45371-00	
MURENA EFI 40XSR	BUJÍA	SPARK PLUG	CANDELE	4	NGKLR7E
	ÁNODO BLOQUE	ANODE ENGINE	ANODO MOTORE	3	CM6G8-11325-00
	ÁNODO BLOQUE	ANODE ENGINE	ANODO MOTORE	1	CM62Y-11325-00
	IMPULSOR	IMPELLER	GIRANTE	1	REC6H3-44352-00
	FILTRO COMBUSTIBLE	FUEL FILTER	FILTRO BENZINA	1	REC6D8-WS24A-00
	TERMOSTATO	THERMOSTAT	TERMOSTATO	1	PAF15-07000031
	FILTRO ACEITE	OIL FILTER	FILTRO OLIO	1	REC5GH-13440-00
	ANODO TRANSOM	TRANSOM ANODE	ANODO TRANSOM	1	TEN01123
	ANODO COLA	ANODE DRIVE	ANODO PIEDE	1	TEN01140
MARLIN EFI 100	BUJÍA	SPARK PLUG	CANDELE	4	NGKLF5A-11
	ÁNODO BLOQUE	ANODE ENGINE	ANODO MOTORE	3	TEN01152
	ÁNODO BLOQUE	ANODE ENGINE	ANODO MOTORE	2	TEN01146-1
	IMPULSOR	IMPELLER	GIRANTE	1	REC67F-44352-00
	FILTRO COMBUSTIBLE	FUEL FILTER	FILTRO BENZINA	1	REC6D8-WS24A-00
	FILTRO ACEITE	OIL FILTER	FILTRO OLIO	1	REC5GH-13440-00
	ANODO TRANSOM	TRANSOM ANODE	ANODO TRANSOM	1	CM6H1-45251-02
	ANODO COLA	ANODE DRIVE	ANODO PIEDE	1	TEN01140
	TARPON EFI 115-XSR	BUJÍA	SPARK PLUG	CANDELE	4
ÁNODO BLOQUE		ANODE ENGINE	ANODO MOTORE	3	TEN01152
ÁNODO BLOQUE		ANODE ENGINE	ANODO MOTORE	2	TEN01146-1
IMPULSOR		IMPELLER	GIRANTE	1	REC6E5-44352-01
FILTRO COMBUSTIBLE		FUEL FILTER	FILTRO BENZINA	1	REC6D8-WS24A-00
TERMOSTATO		THERMOSTAT	TERMOSTATO	1	REC60V-12411-00
FILTRO ACEITE		OIL FILTER	FILTRO OLIO	1	REC5GH-13440-00
ANODO TRANSOM		TRANSOM ANODE	ANODO TRANSOM	1	CM6G5-45251-01
ANODO COLA R-ROTACIÓN		ANODE DRIVE R-ROTATIO	ANODO PIEDE R-ROTAZ.	1	REC6E5-45371-01
KILLER WHALE EFI 150-XSR	BUJÍA	SPARK PLUG	CANDELE	4	NGKLF5A-11
	ÁNODO BLOQUE	ANODE ENGINE	ANODO MOTORE	1	TEN01165
	ÁNODO BLOQUE	ANODE ENGINE	ANODO MOTORE	1	TEN01167
	ÁNODO BLOQUE	ANODE ENGINE	ANODO MOTORE	4	TEN01164
	ÁNODO BLOQUE	ANODE ENGINE	ANODO MOTORE	2	TEN01146-1
	ÁNODO BLOQUE	ANODE ENGINE	ANODO MOTORE	8	TEN01163
	IMPULSOR	IMPELLER	GIRANTE	1	REC6E5-44352-01
	FILTRO COMBUSTIBLE	FUEL FILTER	FILTRO BENZINA	1	REC6D8-WS24A-00
	TERMOSTATO	THERMOSTAT	TERMOSTATO	1	REC67F-12411-01
	FILTRO ACEITE	OIL FILTER	FILTRO OLIO	1	REC35-822626A15
	ANODO TRANSOM	TRANSOM ANODE	ANODO TRANSOM	1	CM6G5-45251-01
	ANODO COLA R-ROTACIÓN	ANODE DRIVE R-ROTATIO	ANODO PIEDE R-ROTAZ.	1	CM6J9-45371-01
ANODO COLA L-ROTACIÓN	ANODE DRIVE L-ROTATIO	ANODO PIEDE L-ROTAZ.	1	CM6K1-45371-02	
GREY WHALE EFI 200	BUJÍA	SPARK PLUG	CANDELE	6	NGKLF6A-11
	ÁNODO BLOQUE	ANODE ENGINE	ANODO MOTORE	4	TEN01146-1
	ÁNODO BLOQUE	ANODE ENGINE	ANODO MOTORE	1	TEN01152
	IMPULSOR	IMPELLER	GIRANTE	1	REC6E5-44352-01
	FILTRO COMBUSTIBLE	FUEL FILTER	FILTRO BENZINA	1	REC6D8-WS24A-00
	TERMOSTATO	THERMOSTAT	TERMOSTATO	1	REC67F-12411-01
	FILTRO ACEITE	OIL FILTER	FILTRO OLIO	1	REC35-822626A15
	ANODO TRANSOM	TRANSOM ANODE	ANODO TRANSOM	1	CM6G5-45251-01
	ANODO COLA R/L ROT.	ANODE DRIVE R/L ROT.	ANODO PIEDE R/L ROT.	1	CM61A-45371
FIN WHALE EFI 225	BUJÍA	SPARK PLUG	CANDELE	6	NGKLF6A-11
	ÁNODO BLOQUE	ANODE ENGINE	ANODO MOTORE	4	TEN01146-1
	ÁNODO BLOQUE	ANODE ENGINE	ANODO MOTORE	1	TEN01152
	IMPULSOR	IMPELLER	GIRANTE	1	REC6E5-44352-01
	FILTRO COMBUSTIBLE	FUEL FILTER	FILTRO BENZINA	1	REC6D8-WS24A-00
	TERMOSTATO	THERMOSTAT	TERMOSTATO	1	REC67F-12411-01
	FILTRO ACEITE	OIL FILTER	FILTRO OLIO	1	REC35-822626A15
	ANODO TRANSOM	TRANSOM ANODE	ANODO TRANSOM	1	CM6G5-45251-01
	ANODO COLA R/L ROT.	ANODE DRIVE R/L ROT.	ANODO PIEDE R/L ROT.	1	CM61A-45371
BLUE WHALE EFI 250	BUJÍA	SPARK PLUG	CANDELE	6	NGKLF6A-11
	ÁNODO BLOQUE	ANODE ENGINE	ANODO MOTORE	4	TEN01146-1
	ÁNODO BLOQUE	ANODE ENGINE	ANODO MOTORE	1	TEN01152
	IMPULSOR	IMPELLER	GIRANTE	1	REC6E5-44352-01
	FILTRO COMBUSTIBLE	FUEL FILTER	FILTRO BENZINA	1	REC6D8-WS24A-00
	TERMOSTATO	THERMOSTAT	TERMOSTATO	1	REC67F-12411-01
	FILTRO ACEITE	OIL FILTER	FILTRO OLIO	1	REC35-822626A15
	ANODO TRANSOM	TRANSOM ANODE	ANODO TRANSOM	2	CM6G5-45251-01
	ANODO COLA R/L ROT.	ANODE DRIVE R/L ROT.	ANODO PIEDE R/L ROT.	1	CM61A-45371

ÍNDICE / TABLE OF CONTENTS / INDICE

REF-->R.O. / OEM

HONDA			HONDA			HONDA		
REF.	R.O./OEM	PAG.	REF.	R.O./OEM	PAG.	REF.	R.O./OEM	PAG.
ARC3446	31200-ZV5-013/003	301, 302	NGKDR5HS		303	REC19210-ZV4-651	CEF500343	307
CEF500600		294	NGKDR6HS		303	REC19210-ZV5-003	19210-ZV5-003	307
CEF500621		294	NGKDR7EA		303	REC19210-ZV5-003	CEF500338	307
CHACJ14		304	NGKIZFR6K11		303	REC19210-ZV7-003	19210-ZV7-003	307
CHAP10Y		304	NGKZFR7F		303	REC19210-ZV7-003	CEF500339	307
CHAP8Y		304	PH130-0064	31200-ZW1-004	301, 302	REC19210-ZW1-B02	19210-ZW1-B04	307
CHARA6HC		304	PH130-0065	31200-ZW5-003	301, 302	REC19210-ZW1-B02	CEF500337	307
CHARA8HC		304	PH130-0070	31200-ZY3-003	301	REC19210-ZW9-013	19210-ZW9-003	307
CHARC9MC4	12251-ZW5-023	304	PH130-0070	31200-ZY3A-0034	302	REC19210-ZW9-013	CEF500347	307
CHARN11YC4		304	PH200-T021	36120-ZV5-821	301, 302	REC19210-ZW9-A32	19210-ZW9-A31	307
CM06411-ZV5-000	06411-ZV5-000	299	PH200-WH01		301	REC19210-ZW9-A32	CEF500348	307
CM06411-ZV5-000A	06411-ZV5-000	299	RAC120R-RAC-01	99105-20006-ASY	297	REC19210-ZY3-003	19210-ZY3-003	307
CM06411-ZW1-000	06411-ZW1-000	299	RAC23289-10		297	REC19210-ZY3-003	CEF500391	307
CM06411-ZW1-000A	06411-ZW1-000	299	RAC23299-10		297	REC19232-881-850	19232-881-850	311
CM31640	41107ZV1003	299	RAC320R-INOX-01		297	REC19232-ZV1-A10	19232-ZV1-A10	310
CM31640A	06412-ZV1-000	299	RAC320R-INOX-02		297	REC19232-ZV4-610	19232-ZV4-610	311
CM41106-ZW9-09000	41106ZV909000	299	RAC320R-RAC-01		296, 297	REC19233-ZV5-000	19233-ZV5-000	311
CM41107-ZV500	41107ZV500	299	RAC320R-RAC-02		297	REC19234-881-850	19234-881-850	311
CM41107-ZV500A		299	RAC320R-RAC-03		296	REC19234-ZY3-000	19234-ZY3-000	311
CM41107-ZW1-B01	41107ZW1-B01	299	RAC490R-RAC-01		296	REC19242-ZV5-000	19242-ZV5-000	311
CM41107-ZW1-B01A		299	RACPF5510		296	REC19300-881-741	19300-881-741	305
CM41109-ZW1-B00	41109-ZW1B00	299	RACS3213		296, 297	REC19300-881-761	19300-881-761	306
CM41109-ZW1-B00A		299	RACS3214		297	REC19300-ZV5-043	19300-ZV5-043	306
CM664-45371-01	06412-ZV5-000	299	RACS3220UL		297	REC19300-ZW9-003	19300-ZW9-003	306
CM664-45371-01A	064-45371-01	299	RACS3227	YMM-2E227-00	296, 297	REC23172-ZW1-013	23172-ZW1-013	304
CM6E0-45251-11	41106-935-812	299	RACS3228UL		297	REC23172-ZW5-013	23172-ZW5-013	304
CM6E0-45251-11A	12155-ZV5-000	299	RACS3240	99105-20006-000	297	REC24942		296
CM826134	41109-ZW1-003	299	RBX-102		314	REC25-457101	91353-ZW1-003	310
CM826134A	12155-ZV5-000	299	RBX-107		314	REC25000		295
GLM11410	91053-ZW1-003	308, 311	RBX-113		314	REC26-76868	91252-ZW1-003	308, 310
GLM11420	91057-ZW1-003	308, 311	REC06160-ZV4-U11	06160-ZV4-U11	306	REC26-816464 1	91253-ZW1-003	308, 310
GLM21200	90508-ZW1-003	308, 311	REC06192-881-C00	06192-881-C00	309	REC27-430331	19234-ZW1-003	308, 311
GLM21230	90301-ZW1-003	308	REC06192-ZV1-000	06192-ZV1-000	309	REC27-8172771	19232-ZW1-003	308, 311
GLM21271	90508-ZW1-003	311	REC06192-ZV1-305	06192-ZV1-305	309	REC30520-PNA-007	30520-PNA-007	302
GLM21820	91051-ZW1-003	308, 311	REC06192-ZV1-C00	06192-ZV1-C00	309	REC30520-PWC-003	30520-PWC-S01	302
GLM24941		296	REC06192-ZV4-000	06192-ZV4-000	309	REC30580-ZV4-013	30580-ZV4-023	302
GLM24950		296	REC06192-ZV5-003	06192-ZV5-003	309	REC31200-ZW9-802	31200-ZW9-802	300, 302
GLM24952		296	REC06192-ZV7-000	06192-ZV7-000	309	REC31200-ZY6-003	31200-ZY6-003	
GLM24956		296	REC06192-ZY3-000	06192-ZY3-000	309	REC31200-ZY6-003	31200-ZY9A-0031	301, 302
GLM24957		296	REC06192-ZY6-000	06192-ZY6-000	309	REC35-802893Q		296
GLM24960		296	REC12-191833		310	REC35-802893Q01		296
GLM25010		295	REC12209-6B4-681	12209-6B4-681	305	REC35-822626903	15400-PM3-004	
GLM25011		295	REC12209-MB9-003	12209-MB9-003	305	REC35-822626903	15400-PFB-004	298
GLM25020		295	REC12211-PZ1-004	12210-PZ1-004	305	REC35-822626903	15400-PM3-405	
GLM25030		295	REC12251-ZV5-003	12251-ZW4-H01	304	REC35-822626903	15400-PJ7-015	
GLM25031		295	REC12251-ZV7-004	12251-ZV7-004	304	REC35-822626903	15400-PJ7-005	298
GLM30320	19242-ZW1-003	308, 311	REC12251-ZW1-014	12251-ZW1-014	304	REC35-822626903	35655-ZY3-013	298
GLM81275	91353-ZW1-003	308	REC15112-ZW5-003	15112-ZW5-003	304	REC35655-ZY3-013	35655-ZY3-013	302
GLM85160	91251-ZW1-003	308, 310	REC15400-PLM-A01PE	15400-PH1-F03	298	REC35655-ZY9-003	35655-ZY9-003	302
GLM85170	91254-ZW1-003	308, 310	REC15400-PLM-A01PE	15400-POH-305PE	298	REC35668-ZY6-003	35668-ZY6-003	302
GLM85530	91351-ZW1-003	308, 310	REC15400-PLM-A01PE	15400-POH-305	298	REC36120-ZW4-H12	36120-ZW4-H12	301
GS11290		303	REC15400-PLM-A01PE	15400-ZJI-004	298	REC36120-ZY3-013	36120-ZY3-013	301
GS11291		303	REC15400-PLM-A01PE	15400-PLM-A01PE	298	REC36120-ZY6-013	36120-ZY6-013	301
GS11292		303	REC15400-RBA-F01	15400-RBA-F01	298	REC36120-ZY9-003	36120-ZY9-003	301
GS11294		303	REC16010-ST5-993	16900-ST5-993	298	REC37510-PNB-003	37510-PNB-003	302
GS30435		298	REC16010-ZV4-005	16010-ZV4-005	306	REC40135		298
GS31001		298	REC16010-ZW9-003	16010-ZW9-003	306	REC40145		298
GS31002		298	REC16011-881-741	16011-881-741	306	REC40155		298
GS31030		295	REC16011-ZV4-005	16011-ZV4-005	306	REC40165		298
GS31031		295	REC16201-881-850	16201-881-850	306	REC40970		303
GS31032		295	REC16221-ZV4-610	16221-ZV4-610	307	REC40990		303
GS31033		295	REC16221-ZW1-000	16221-ZW1-000	307	REC41109-ZV5-000	41109-ZV5-000	311
GS31034		295	REC16221-ZW9-000	16221-ZW9-000	306	REC41161-ZV5-000	41161-ZV5-000	311
GS31064		295	REC16900-SA5-004	16900-SA5-004	298	REC47-43026Q02	19210-ZW1-303	307, 308
GS31065		295	REC16900-SR3-004	16900-SR3-004	298	REC47-43026Q06	CEF500301	
GS31066		295	REC16910-GB2-005	16900-GB2-005	298	REC47-43026Q06	19021-ZW1-003	308, 309
GS31067		295	REC16910-ZV4-015	16910-ZV4-015	298	REC5GH-13440-00	15400-PFB-007	298
GS31068		295	REC16911-ZY3-010	16911-ZY3-010	298	REC8172761	19231-ZW1-003	308, 310
GS31069		295	REC17105-ZY3-004	17105-ZY3-004	307	REC855686		296
GS31090		294	REC17105-ZY6-000	17105-ZY6-000	307	REC90752-ZV4-650	REC90752-ZV4-650	310
GS31095		294	REC17109-ZY3-004	17109-ZY3-004	307	REC90752-ZV5-003	90752-ZV5-003	310
GS31096		294	REC17109-ZY6-000	17109-ZY6-000	307	REC90752-ZV7-000	90752-ZV7-000	310
GS31097		294	REC17151-ZW5-000	17151-ZW5-000	307	REC90752-ZW1-B02	90752-ZW1-003	308
GS31098		294	REC17384-ZW4-000	17384-ZW4-000	304	REC90752-ZW1-B02	90752-ZW1-B02	310
GS31099		294	REC18-7053		306	REC90752-ZY3-003	90752-ZY3-003	310
GS31155		295	REC18-8362-1		309	REC90794-46866		296
GS31156		295	REC18-8363		309	REC90794-46868		296
GS31157		295	REC18-8365		309	REC91252-935-004	91252-935-004	310
GS31187		294	REC18-8366		309	REC91252-ZV1-003	91252-ZV1-003	310
GS31188		294	REC19210-881-003	19210-881-A02	307	RECOBFILTER		296
GS31189		294	REC19210-881-003	CEF500327	307	RECOBLEMENT		296
NGKBMR4A		303	REC19210-ZV4-013	19210-ZV4-013	307	RECOBRACKET		295
NGKBRP5ES		303	REC19210-ZV4-013	CEF500328	307	RECYS-225-15		296
NGKCR5EH-9		303	REC19210-ZV4-651	19210-ZV4-651	307	RM06111-ZW1-020	RM06111-ZW1-020	305
NGKCR5HSB		303	REC19210-ZV4-651	CEF500343	307	RM061A1-ZV0-000	061A1-ZV0-000	305
NGKDR4HS		303	REC19210-ZV4-651		307	RM061A1-ZV7-000	061A1-ZV7-000	305

HONDA

REF.	R.O./OEM	PAG.
RM14400-921-024	14400-921-024	305
RM14400-ZV4-004	14400-ZV4-004	305
RM14400-ZV5-004	14400-ZV5-004	305
RM14400-ZW1-004	14400-ZW1-004	305
RM19211-ZV0-003	19211-ZV0-003	307
RM35-802893Q		296
SIE-18-8013		294
SIE-18-8015		294
SIE18-6865		301
SOL1411-130-19		313
SOL1411-130-21	08M60-ZW7-A40	313
SOL1411-133-17	58130-ZW1-W61ZA	313
SOL1411-135-14		313
SOL1411-135-15	58130-ZW1-W31ZA	313
SOL1411-138-13	58130-ZW1-W11ZA	313
SOL1411-140-11	58130-ZW1-W01ZA	313
SOL1412-133-17	58130-ZW1-W41ZA	313
SOL1412-135-15		313
SOL1412-138-13	58130-ZW1-W21ZA	313
SOL1413-125-19		313
SOL1413-125-21	08M60-ZW7-A40	313
SOL1413-128-17	58130-ZW1-W61ZA	313
SOL1413-130-15	58130-ZW1-W31ZA	313
SOL1413-133-13	58130-ZW1-W11ZA	313
SOL1431-130-19		313
SOL1431-130-21	08M60-ZW7-A40	313
SOL1431-133-17	58130-ZW1-W61ZA	313
SOL1431-135-15	58130-ZW1-W31ZA	313
SOL1431-138-13	58130-ZW1-W11ZA	313
SOL1431-140-11	58130-ZW1-W01ZA	313
SOL1511-142-23	58233-ZY3-A23H	313
SOL1511-143-21	58233-ZY3-A22H	313
SOL1511-145-19	58233-ZY3-A19H	313
SOL1511-148-17	58233-ZY3-A17H	313
SOL1511-150-15	58233-ZY3-A13H	313
SOL1512-142-23		313
SOL1512-143-21		313
SOL1512-145-19	58233-ZY3-B19H	313
SOL1512-148-17	58233-ZY3-B17H	313
SOL1512-150-15	58233-ZY3-A15H	313
SOL1513-140-21	58233-ZY3-A21H	313
SOL1513-140-23		313
SOL1513-143-19	58233-ZY3-A19H	313
SOL1513-145-17	58233-ZY3-A17H	313
SOL1513-148-15	58233-ZY3-A13H	313
SOL1531-140-19	08M60-ZW7-A10	313
SOL1531-140-21	08M60-ZW7-A20	313
SOL1531-140-23	08M60-ZW7-A30	313
SOL1531-140-25		313
SOL1531-143-17	08M60-ZW7-A00	313
SOL1531-145-15		313
SOL1532-140-19	08M60-ZW7-A10	313
SOL1532-140-21	08M60-ZW7-A20	313
SOL1532-140-23	08M60-ZW7-A30	313
SOL1532-143-17	08M60-ZW7-A00	313
SOL1532-145-15		313
SOL1541-145-23		313
SOL1541-148-21		313
SOL1541-150-19		313
SOL1541-153-17		313
SOL1541-155-15		313
SOL1542-145-23		313
SOL1542-148-21		313
SOL1542-150-19		313
SOL1542-153-17		313
SOL1542-155-15		313
SOL1571-145-25		313
SOL1571-148-23		313
SOL1571-150-21		313
SOL1571-153-19		313
SOL1571-155-17		313
SOL1571-158-15		313
SOL1572-148-23		313
SOL1572-150-21		313
SOL1572-153-19		313
SOL1572-155-17		313
SOL1572-158-15		313
SOL1572-158-15		313
SOL3111-093-07		313
SOL3111-093-08	58130-ZV4-703ZB	313
SOL3111-093-09	58130-ZV4-030ZB	313
SOL3111-093-10		313
SOL3111-093-11		313
SOL3311-110-15		313
SOL3311-110-16		313
SOL3311-110-17		313
SOL3311-111-13	58130-ZV5-000ZA	313
SOL3311-111-14	58130-ZV5-870ZA	313
SOL3311-114-12	58130-ZV5-850ZA	313
SOL3311-116-11		313
SOL3311-121-09	58130-ZV5-860ZA	313
SOL5211-099-09	58130-ZV7-850ZA	313

HONDA

REF.	R.O./OEM	PAG.
SOL5211-099-10		313
SOL5211-099-11	58130-ZV7-000ZA	313
SOL5211-099-12		313
SOL5211-099-13		313
SOL6001-073-06P	58130-ZV0-841ZB	313
SOL6011-079-06P		313
SOL6011-079-07P		313
SOL9311-110-15		314
SOL9311-111-13		314
SOL9311-111-14		314
SOL9311-114-12		314
SOL9311-116-11		314
SOL9311-120-10		314
SOL9311-121-09		314
SOL9331-110-15		315
SOL9331-111-13		315
SOL9331-111-14		315
SOL9331-114-12		315
SOL9331-114-12		315
SOL9331-116-11		315
SOL9331-116-11		315
SOL9411-132-19		314
SOL9411-132-21		314
SOL9411-133-17		314
SOL9411-135-15		314
SOL9411-138-12		314
SOL9411-140-09		314
SOL9411-140-11		314
SOL9431-130-19		315
SOL9431-130-21		315
SOL9431-133-17		315
SOL9431-135-15		315
SOL9431-138-13		315
SOL9432-130-19		315
SOL9432-133-17		315
SOL9432-135-15		315
SOL9432-138-13		315
SOL9511-143-21		314
SOL9511-145-19		314
SOL9511-148-17		314
SOL9511-150-15		314
SOL9511-153-13		314
SOL9511-155-11		314
SOL9511-160-13		314
SOL9531-140-19		315
SOL9531-140-21		315
SOL9531-140-23		315
SOL9531-143-17		315
SOL9531-145-15		315
SOL9532-140-19		315
SOL9532-140-21		315
SOL9532-140-23		315
SOL9532-143-17		315
SOL9532-145-15		315
SOL9571-145-25		315
SOL9571-148-23		315
SOL9571-153-19		315
SOL9571-153-21		315
SOL9571-155-17		315
SOL9571-158-15		315
SOL9572-145-25		315
SOL9572-148-23		315
SOL9572-153-19		315
SOL9572-153-21		315
SOL9572-155-17		315
SOL9572-158-15		315
TEN01400	41106-ZW-000	299
TEN01401	01402CORR366JR3	299
TEN01402	41106-ZV4-650	300
TEN01403	41106-935-812	300
TEN01404	41107-ZV5-000	300
TEN01405	06411-ZV5-000	300
TEN01406	41109-ZW1-003	300
TEN01407	06411-ZV1-000	300
TEN01408	41109-ZW1-B00	300
TEN01408/1	12155-ZV4-A00	300
TEN01409	12155-ZV5-000	300
TEN01410	41106-ZW9-000	300
TEN01411	41107-ZW1-B01ZA	300
TEN01412	41107-ZV1-003-ZA	300
THKS-1		303
THKS-12		303
THKS-2		303
THKS-22		303
THL-4		303
TRI305-0386		294
TRI305-0566		294

SELVA

REF.	R.O./OEM	PAG.
CM2500010	2500010	351
CM2500050	2500050	351
CM2500065	2500065	351
CM2504015	2504015	351
CM2504020		351
CM2504025		351
CM2504035		351
CM55300-95500	55300-95500	351
CM55320-98400	41811-98400	351
CM55320-98500	41811-98500	351
CM55321-94900	55320-94900	351
CM55321-94900A	55320-94900	351
CM61A-45371		355
CM61N-45251-01		354
CM62Y-11325-00		354, 355
CM67C-45251-00		351, 354, 355
CM67C-45371-00		354, 355
CM68T-45251-00		354
CM6G5-45251-01		355
CM6G8-11325-00		354, 355
CM6H1-45251-02		355
CM6J9-45371-01		355
CM6K1-45371-02		355
CM82795M	25010151	351
CM9005655	9005655	351
CM9005660	9005660	351
CM9005665	9005665	351
NGKBR6HS-10		354
NGKDR6EB-9		354, 355
NGKLF5A-11		355
NGKLF6A-11		355
NGKLR7E		355
PAF15-07000031		354
REC35-822626A15		355
REC5GH-13440-00		354, 355
REC60V-12411-00		355
REC61N-24563-10		354
REC63V-44352-01	CEF500363	354
REC67F-12411-01		355
REC67F-44352-00	CEF500364	354, 355
REC68T-24251-00		354
REC68T-44352-00	CEF500368	354
REC6D8-WS24A-00		354, 355
REC6E5-44352-01	CEF500371	354, 355
REC6E5-45371-01		355
REC6H3-44352-00	CEF500316	354, 355
REC6H4-44352-02	CEF500385G	354
SOL2111-093-07	2501300	353
SOL2111-093-08		353
SOL2111-093-09		353
SOL2111-093-10		353
SOL2111-093-11		353
SOL2211-101-13	2505570	353
SOL2211-103-12	2505520	353
SOL2211-105-11	2505500	353
SOL2211-105-13	2505500	353
SOL2311-120-17	2506060	353
SOL2311-123-15	2506050	353
SOL2311-125-14	2505895	353
SOL2411-130-19	2506020	353
SOL2411-130-21	2505840	353
SOL2411-133-17	2506020	353
SOL2411-135-13	2506020	353
SOL2411-138-13	2505860	353
SOL2411-140-11	2505860	353
SOL2413-125-19	2506020	353
SOL2413-125-21	2505840	353
SOL2413-128-17	2506020	353
SOL2413-130-15	2506020	353
SOL2413-133-13	2505860	353
SOL2431-130-19	2506020	353
SOL2431-130-21	2505840	353
SOL2431-133-17	2506020	353
SOL2431-135-15	2506020	353
SOL3011-085-07	6G1-45947-00-EL	353
SOL3011-085-08	6G1-45943-00-EL	353
SOL3011-085-09	6G1-45941-00-EL	353
SOL3111-093-08	SOL3111-093-08	353
SOL3111-093-09	SOL3111-093-09	353
SOL3111-093-10	SOL3111-093-10	353
SOL3111-093-11	SOL3111-093-11	353
SOL3211-099-10	664-45945-00-EL	353
SOL3211-099-11		353
SOL3211-099-12		353
SOL3211-099-13		353

SELVA

REF.	R.O./OEM	PAG.
SOL3231-101-13		353
SOL3231-103-12		353
SOL3231-105-11		353
SOL3311-110-15	663-45943-02-EL	353
SOL3311-110-16	663-45949-01-EL	353
SOL3311-110-17	663-45941-01-EL	353
SOL3311-111-13	663-45945-02-EL	353
SOL3311-111-14	663-45958-01-EL	353
SOL3311-114-12	663-45952-02-EL	353
SOL3311-116-11	663-45947-02-EL	353
SOL3311-121-09	663-45956-01-EL	353
SOL3331-111-13		353
SOL3331-111-14		353
SOL3331-114-12		353
SOL3331-116-11		353
SOL3331-119-10		353
SOL3411-130-19	6E5-45941-00-EL	353
SOL3411-130-21	6E5-45943-00-EL	353
SOL3411-133-17	6E5-45945-00-EL	353
SOL3411-135-15	6E5-45947-00-EL	353
SOL3411-138-13	6E5-45949-00-EL	353
SOL3411-140-11	6E5-45954-00-EL	353
SOL3412-133-17		353
SOL3412-135-15		353
SOL3412-138-13		353
SOL3413-125-19	6E5-45941-00-EL	353
SOL3413-125-21	6E5-45943-00-EL	353
SOL3413-130-15	6E5-45947-00-EL	353
SOL3413-133-13	6E5-45949-00-EL	353
SOL3431-130-19	688-45970-03-98	353
SOL3431-130-19	688-45970-03-98	353
SOL3431-130-19	6E5-45941-00-EL	353
SOL3431-130-21	688-45972-02-98	353
SOL3431-133-17	688-45930-02-98	353
SOL3431-135-15	688-45978-90-98	353
SOL3453-130-19	688-45970-03-98	353
SOL3453-130-19	6E5-45941-00-EL	353
SOL3511-142-23	6G5-45949-00-98	353
SOL3511-143-21	6G5-45949-00-98	353
SOL3511-145-19	6G5-45945-01-98	353
SOL3511-148-17	6G5-45947-01-98	353
SOL3511-150-15	6G5-45941-00-98	353
SOL3512-142-23		353
SOL3512-143-21		353
SOL3512-145-19	6K1-45945-01-98	353
SOL3512-148-17	6K1-45947-00-98	353
SOL3512-150-15	6G5-45952-00-98	353
SOL3513-128-17	6E5-45945-00-EL	353
SOL3513-140-21	6G5-45949-00-98	353
SOL3513-143-19	6G5-45945-01-98	353
SOL3513-145-17	6G5-45947-01-98	353
SOL3513-148-15	6G5-45941-00-98	353
SOL3514-140-21		353
SOL3514-143-19	6K1-45945-01-98	353
SOL3514-145-17	6K1-45947-00-98	353
SOL3514-148-15	6G5-45952-00-98	353
TEN01123		354, 355
TEN01140		355
TEN01146-1		355
TEN01152		354, 355
TEN01154		354
TEN01161		354
TEN01163		355
TEN01164		355
TEN01165		355
TEN01167		355
TEN01900		352
TEN01901		352
TEN01902		352
TEN01903		352
TEN01904		352
TEN01905		352
TEN01906		352
TEN01907		352
TEN01908		352
TEN01909		352
TEN01912		352
TEN01913		352
TEN01914		351
TEN01915		352
TEN01916		352

SUZUKI

REF.	R.O./OEM	PAG.
CEF500600		258
CEF500621		258
CHAL90C		270
CHAQL78C/L78C		270
CHAQL82C		270
CHAQL82YC/L82YC		270
CHAQL86C		270
CHAQL86C/L86C		270
CHAQL87YC		270
CHAQL87YC/L87YC		270
CHARN9YC		270
CM11130-94600	11130-94600	264
CM11130-94600A	11130-94600	264
CM41811-98500	41811-98500	263
CM55125-87D00	55320-93900	263
CM55125-87D00A	55320-93900	263
CM55125-87E01	55125-87E01	263
CM55125-90J01	55125-90J01	264
CM55125-94502	55125-94502	264
CM55125-95301	55125-95301	264
CM55125-95301A	55125-95301	264
CM55125-95500	55125-95500	264, 286
CM55125-96310	55125-96310	264, 286
CM55125-96310A	55125-96310	264
CM55125-96J00	55125-90J00	264
CM55300-95500	55300-95500	263, 286
CM55320-95310	55320-95310	264
CM55320-95310A	55320-95310	264
CM55320-98400	55320-98400	263
CM55320-98600	55320-98600	264
CM55321-87J00	55321-87J00	263, 286, 287
CM55321-90J01	55321-90J01	264, 286, 287
CM55321-93900	55320-93900	263
CM55321-93900A	55320-93900	263
CM55321-94900	55320-94900	263
CM55321-94900A	55320-94900	263
EC12151-94400	12151-94400	273
GLM24950		260
GLM24952		260
GLM24956		260
GLM24957		260
GLM24960		260
GLM25010		259
GLM25020		259
GLM25030		259
GLM36200	11141-87D90/87D61	275
GLM36210	11141-87D92/87D32	275
GLM36220	11141-87D90/87E20	275
GLM36230	11141-94506/94620	275
GLM36250	11141-94701/94720	274
GLM36260	11141-95505/95621	274
GS11290		269
GS11291		269
GS11292		269
GS11294		269
GS30435		262
GS31001		262
GS31002		262
GS31035	65750-98505	259
GS31036	65750-98505	259
GS31037	99105-00192	259
GS31038	65720-94411	259
GS31039		259
GS31064		259
GS31065		261
GS31066		261
GS31067		261
GS31068		259
GS31069		259
GS31070	99105-00193	259
GS31071	65750-95500	259
GS31072	65750-95500	259
GS31089	65720-94410	259
GS31089	65720-986B0	259
GS31090		258
GS31092		259
GS31095		258
GS31096		258
GS31097		258
GS31098		258
GS31099		258
GS31155		261
GS31156		261
GS31157		261
GS31187		258

SUZUKI

REF.	R.O./OEM	PAG.
GS31188		258
GS31189		258
NGHBKR6E		271
NGKB6HS		270
NGKB6HS-10		270
NGKB7HS		270, 271
NGKB7HS-10		270, 271
NGKB8HS		270, 271
NGKB8HS-10		270, 271
NGKBKR6E		271, 286, 287
NGKBKR6EIX		271
NGKBPR5HS		270
NGKBPR6EIX		271
NGKBPR6ES		271, 286
NGKBPR6HS		270
NGKBPR7HS-10		270
NGKBR4HS		270
NGKBR5HS		270
NGKBR6HS		270
NGKBR6HS-10		270
NGKBR7HS		270
NGKBR7HS-10		270
NGKBR8HCS-10		271
NGKBR8HX		270, 271
NGKBR8HS		271
NGKBR8HS-10		271
NGKCPR6EA-9		271, 286
NGKCR6E		271, 286
NGKCR6HS		271
NGKDCPR6E		271, 286, 287
NGKDCPR6EIX		271
NGKRB8HS-10		271
PAF15-07080000	15410-94400	262
PH130-0006	31100-89J00	266
PH130-0006	31100-94400/01/002	266
PH130-0006	31100-96310/11	266
PH130-0007	31100-95240	266
PH130-0007	31100-95242	266
PH130-0007	31100-95243	266
PH130-0052	31100-87000	266
PH130-0052	31100-87D00	266
PH130-0052	31100-87D10	266
PH130-0052	31100-92E00	266
PH130-0053	31100-94500/10/11/12	266
PH130-0053	31100-94600	266
PH130-0053	31100-94601	266
PH130-0053	31100-94610	266
PH130-0060	31100-95310/12/13	266
PH130-0060	31100-95600/01	266
PH130-0071	31100-90J00	267
PH130-0071	31100-90J01	267
PH130-0075	31100-94702	267
PH130-0077	31100-95J00	267
PH130-0077	31100-95J01	267
PH130-0078	31100-93J00	267
PH130-0078	31100-96J00	267
PH130-0078	31100-96J01	267
PH130-0079	31100-87J00	267
PH130-0079	31100-87J11	267
PH200-T024	38100-87D10-35J	268
PH200-T024	38100-87D10-OED	268
PH200-T024	38100-87D10-OIT	268
PH200-T024	38100-92E00-OED	268
REC38100-87E10-OED	38100-87D00, 02H 38100-87D00, OIT 38100-87E10-OED	268
PH200-T046	38100-87J11	267
PH200-T046	38100-87J20	267
PH200-WH01		267
RAC120R-RAC-01	99105-20006-ASY	261
RAC120R-RAC-01		261
RAC23289-10		261
RAC23299-10		261
RAC320R-INOX-01		261
RAC320R-INOX-02		261
RAC320R-RAC-01		260, 261
RAC320R-RAC-02		261
RAC320R-RAC-03		260
RAC490R-RAC-01		260
RACPF5510		260
RACS3213		260, 261
RACS3214		261
RACS3220UL		261
RACS3227	YMM-2E227-00	260, 261
RACS3228UL		261
RACS3240	99105-20006-000	261
RBX-104		290

SUZUKI

REF.	R.O./OEM	PAG
RBX-110		290
RBX-115		290
RBX-125		290
RBX-126		290
RBX-150		290
REC09160-20027	09160-20027	284
REC09160-20041	09160-20041	284
REC09160-20042	09160-20042	284
REC09160-20043	09160-20043	284
REC09160-20044	09160-20044	284
REC09160-20052	09160-20052	273
REC09160-21009	09160-21009	284
REC09160-26015	09160-26015	284
REC09160-27008	09160-27008	272,273
REC09181-24001	09181-24001	273
REC09262-25078	09262-25078	274
REC09262-30055	09262-30055	274
REC09262-35052		272
REC09263-14014	09263-14014	273
REC09263-14022	09263-14022	273
REC09263-18016	09263-18016	273
REC09263-20051	09263-20051	273
REC09263-20072	09263-20072	272,273
REC09263-24018	09263-24018	273
REC09263-27005	09263-27005	272,273
REC09269-30012	09269-30012	272,274
REC09282-10008	09282-10008	277
REC09282-12008	09282-12008	277
REC09282-12010	09282-12010	277
REC09282-15008	09282-15008	278
REC09282-17005	09282-17005	278
REC09282-17009	09282-17009	278
REC09283-10003	09283-10003	278
REC09283-10009	09283-10009	278
REC09283-17002	09283-17002	278
REC09283-20018	09283-20018	278
REC09283-20045	09283-20045	278
REC09283-25035	09283-25035	278
REC09283-25075	09283-25075	278
REC09283-25076	09283-25076	278
REC09283-30062	09283-30062	272,278
REC09283-30064	09283-30064	278
REC09283-35043	09283-35043	272,278
REC09289-10005	09289-10005	278
REC09289-12002	09289-12002	278
REC09289-17004	09289-17004	278
REC09289-17006	09289-17006	278
REC09289-20009	09289-20009	278
REC09289-22007	09289-22007	279
REC09289-30008	09289-30008	279
REC09381-14001	09381-14001	273
REC09381-18002	09381-18002	273
REC09381-20003	09381-20003	272,273
REC09420-03005	09420-03005	282
REC11141-90J01	11141-90J01	275
REC11141-90J01	11141-90J01	275
REC11141-92D20	11141-92D20	274,275
REC11141-92J01	11141-92J01	275
REC11141-93960	11141-93960	274,275
REC11141-93E20	11141-93E20	275
REC11141-93J10	11141-93J03	275
REC11141-94450	11141-94440	275
REC11141-94450	11141-94450	274
REC11141-95D40	11141-95D40	274,275
REC11141-95J00	11141-95J00	275
REC11141-96303	11141-96344	274,275
REC11141-96344	11141-96343	274,275
REC11141-97J02	11141-97J10	275
REC11141-98130	11141-98130	274
REC11141-98401	11141-98411	274,275
REC11141-98J10	11141-98J01	275
REC11141-98J10	11142-98J00	275
REC1114193E20	11141-93E20	275
REC11142-93J10	11142-93J03	275
REC11142-98J10	11142-98J00	275
REC11162-94410	11162-94410	275
REC11181-98130	11141-98130	275
REC11433-93912	11433-93901	276
REC11433-94412	11433-94412	276
REC11433-96330	11433-96302	276
REC11434-94411	11434-94411	277
REC11489-90J00	11489-90J00	276
REC11489-93E11	11489-93E10	276
REC11489-93J00	11489-93J00	276
REC12110-93130K	12110-93130	273
REC12110-94350K		273
REC12110-94400		272

SUZUKI

REF.	R.O./OEM	PAG
REC12110-94400K		273
REC12140-93121	12140-93121	273
REC12140-94400	12140-94400	272,273
REC12151-931000	12151-93100	272,273
REC12161-93902	12161-93902	273
REC12161-94400	12161-94400	272,274
REC12161-96300	12161-96300	272,274
REC12221-94412	12221-94412	272,274
REC12231-94413	12231-94413	272,274
REC12232-94412	12232-94412	272,274
REC12240-94432	12240-94432	272,274
REC12778-93J00	12778-93J00	276
REC13119-93J00	13119-93J00	276
REC13122-95J00	13122-95J00	276
REC13147-98J00	13147-98J00	276
REC13421-98J00	13421-98J00	277
REC13910-87D00	13910-87D00	279
REC13910-89J01	13910-89J01	279
REC13910-94400	13910-94400	279
REC13910-94701	13910-94701	279
REC13910-95D00	13910-95D00	279
REC14151-93912	14151-93901	277
REC14151-93J00	14151-93J00	277
REC14151-94411	14151-94412	277
REC14151-96311	14151-96310	277
REC14152-93J00	14152-93J00	277
REC14212-93J00	14212-93J00	277
REC14212-94413	14212-94412	277
REC15170-91J00	15170-91J00	279
REC15170-93911	15170-93920	279
REC15170-94320	15170-94320	279
REC15170-94J00	15170-94J00	279
REC15170-98110	15170-98110	279
REC15170-99E00	15170-99E00	279
REC15200-96J00	15200-96J00	279
REC15410-87J00	15410-87J00	262,286
REC15410-87J10	15410-87J10	262
REC15410-87J30	15410-87J30	262, 286, 287
REC15410-87L00	15410-87L00	262,286
REC15410-96J00	15410-96J00	262,287
REC15410-97J30		287
REC15410-98500	15410-98500	262,286
REC16433-93J00	16433-93J00	277
REC16510-05240	16510-05240	262,263
REC16510-05240	16510-45H10	262,286
REC16510-82703	16510-82703	262,263
REC16510-82703	16510-92J00	262,263
REC16510-87J00	16510-87J00	262,263, 286
REC16510-87L00		286
REC16510-90J00	16510-61A20-MHL	262
REC16510-90J00	16510-90J00	262
REC16510-90J00	16510-90J00	263,287
REC16510-92J00		287
REC16510-93J00		287
REC16510-96J00	16510-93J00	263
REC16510-96J00	16510-96J00	262,263, 287
REC17400-87D11	17400-87D10	281
REC17400-87E04	17400-87E03	281
REC17400-90J20	17400-90J11	282
REC17400-92D01	17400-92D01	281
REC17400-92D01	17400-92D11	281
REC17400-93951	17400-93950	281
REC17400-93J01	17400-93J00	281
REC17400-93J01	17400-93J01	281
REC17400-94611	17400-94611	281
REC17400-94701	17400-94700	281
REC17400-94701	17400-94701	281
REC17400-95351	17400-95350	281
REC17400-95351	17400-95351	281
REC17400-95351	17400-95550	281
REC17400-96403	17400-96350	281
REC17400-96403	17400-96403	281
REC17400-98551	17400-98551	282
REC17400-98652	17400-98652	282
REC17400-98652	17400-98661	282
REC17400-98661	17400-98661	281
REC17400-98J01	17400-98J00	281
REC17400-98J01	17400-98J01	281
REC17411-93901	17411-93901	281
REC17411-94421	17411-94421	281
REC17452-93910	17452-93910	282
REC17461-87E12	17461-87E10,11,12	280
REC17461-87E12	CEF500365	280
REC17461-87E12		286,287
REC17461-90J01		287
REC17461-92D02	17461-92D02	280
REC17461-92D02	CEF500319	280

SUZUKI

REF.	R.O./OEM	PAG
REC17461-93004	17461-93001,2,3,4	280
REC17461-93004	CEF500398	280
REC17461-93903	17461-93901,2,3	280
REC17461-93903	CEF500329	280
REC17461-93903		286
REC17461-93J00		287
REC17461-94700	17461-94700,1	280
REC17461-94700	17461-95200	280
REC17461-94700	CEF500361	280
REC17461-95300	17461-95501,95300	280
REC17461-95300	CEF500360	280
REC17461-96312	17451-96301	280
REC17461-96312	17461-96301	280
REC17461-96312	17461-96310	280
REC17461-96312	17461-96312	280
REC17461-96312	CEF500362G	280
REC17461-96312		286
REC17461-97110	17461-97110	280
REC17461-98503	17461-98501,2,3	280
REC17461-98503	CEF500336	280
REC17461-98503		286
REC17462-93990	17462-93990	282
REC17471-93902	17471-93902	282
REC17471-94401	17471-94401	282
REC17472-91J00	17472-91J00	282
REC17472-92D10	17472-92D10	283
REC17472-93911	17472-93911	283
REC17472-93J00	17472-93J00	282
REC17472-94510	17472-94510	283
REC17472-95200	17472-95200	283
REC17472-95310	17472-95310	283
REC17472-96303	17472-96301	282
REC17472-98503	17472-98503	283
REC17472-98611	17472-98611	283
REC17472-98J00	17472-98J00	282
REC17693-95J00	17693-95J00	277
REC23211-94401		285
REC23311-95D10		284
REC24942		260
REC25000		259
REC25142-94520	25142-94520	283
REC25700-87D00	25700-87D00	283,284
REC25700-88400	25700-94400	283
REC25700-88400	27700-88400	283,284
REC25700-90J01	25700-90J01	283,284
REC25700-92J00	25700-92J00	283,284
REC25700-93J00	25700-93J00	284
REC25700-94500	25700-94500	283,284
REC25700-94700	25700-94700	283,284
REC25700-95501	25700-95500	283,284
REC25700-95D01	25700-95D00	283
REC25700-95D01	25700-95D01	283,284
REC25700-95J00	25700-95J00	284
REC25700-98J00	25700-98J00	284
REC25700-99E00	25700-99E00	284
REC27500-90J01		284
REC27500-92J00		284
REC32140-93900	32140-93900	268
REC32800-95001	32800-95D01	268
REC32900-93903	32900-93902	268
REC32900-93910	32900-93910	268
REC32900-94460	32900-94460	268
REC32900-94480	32900-94401	268
REC32900-94480	32900-94421	268
REC32900-94480	32900-94480	268
REC32900-96340	32900-96340	268
REC32900-96371	32900-96350	268
REC32900-96371	32900-96370	268
REC32900-96371	32900-96371	268
REC33410-94400-000	33410-93E10 33410-94400-000	268
REC35-802893Q		260
REC35-802893Q01		260
REC37110-99E00	37110-99E00	269
REC37800-9354	37800-93953	269
REC37800-9354	37800-93954	269
REC37820-92E03	37820-92E00	269
REC37830-89E03	37830-89E02	269
REC37830-89E03	37830-95000	269
REC38100-87J00	37100-87J00-OEP	267
REC38100-87J00	38100-87J0EP	267
REC38100-96J00	38100-92J01	267
REC38100-96J00	38100-92J02	267
REC38100-96J00	38100-92J10	267
REC38100-96J00	38100-93J02	267
REC38100-96J00	38100-96J00	267

SUZUKI

REF	R.O./OEM	PAG
REC38100-96J00	38100-96J01	267
REC38100-99E01-0EP	38100-95E01-OED	268
REC40135		262
REC40145		262
REC40155		262
REC40165		262
REC40970		269
REC40990		269
REC43211-87JL0	43211-87JL0	285
REC43211-94401	43211-94401	285
REC51123-93J00	51123-93J00	276
REC51142-93J00	51142-93J00	276
REC51211-90J10	51211-90J22	276
REC51211-93J00	51211-93J00	276
REC52113-93910	52113-93901	277
REC52113-96330	52113-96304	277
REC52331-87L00	52331-87L00	277
REC55122-94400	55122-88L00	283
REC56120-93900-0ED		285
REC56120-93901-0EP		285
REC56130-94413-0EP	56130-94413-0EP	282
REC57100-93902		285
REC57100-93912		285
REC57110-94411		285
REC57311-93901		285
REC57311-93910		285
REC57311-94402		285
REC57311-96311		285
REC57311-96320		285
REC57311-98400		285
REC57510-89J00		285
REC57510-93902		285
REC57510-93910		285
REC57510-94402		285
REC57521-89J00		285
REC57521-93902		285
REC57521-93910		285
REC57521-94400		285
REC57521-96312		285
REC57610-93901		285
REC57621-94403		285
REC57630-92E00	57630-92E00	285
REC57630-94300	57630-94300	285
REC57630-94500	57630-94550	285
REC57630-96300	57630-96300	285
REC63610-89E01	63610-89E01-000	269
REC63610-93501	63610-93501-000	269
REC63610-94402	63610-94402-000	269
REC63610-96302	63610-96302-000	269
REC63610-96321-000	63610-96321-000	269
REC65L-24563-00	15412-93J00	262,287
REC85686		260
REC90794-46866		260
REC90794-46868		260
RECOBFILTER		260
RECOBLEMENT		260
RECOBRACKET		259
RECYS-225-15		260
RM35-802893Q		260
SIE-18-8013		258
SIE-18-8015		258
SIE18-6865	48600-94511OED	267
SOL2431-130-19	58100-95530-019	288
SOL2431-133-17	58100-95521-019	288
SOL2431-135-15	58100-95511-019	288
SOL3411-139-17	58100-90J00-019	288
SOL3411-139-19	58100-90J10-019	288
SOL3411-139-21	58100-90J20-019	288
SOL3413-138-15	58100-90J40-019	288
SOL3413-138-17	58100-90J00-019	288
SOL3413-138-19	58100-90J10-019	288
SOL3413-138-21	58100-90J20-019	288
SOL3451-139-17	58100-90J00-019	288
SOL3451-139-17	99105-00700-18P	288
SOL3451-139-19	58100-90J10-019	288
SOL3451-139-19	99105-00700-20P	288
SOL3451-139-21	58100-90J20-019	288
SOL3451-139-21	99105-00700-22P	288
SOL3451-139-23	58100-90J22-019	288
SOL3451-139-23	99105-00700-24P	288
SOL3452-139-17	99105-0070L-18P	288
SOL3452-139-19	99105-0070L-20P	288
SOL3452-139-21	99105-0070L-22P	288

SUZUKI

REF	R.O./OEM	PAG
SOL4011-079-07S		288
SOL4111-093-07A		288
SOL4111-093-08A		288
SOL4111-093-09A		288
SOL4111-093-10A		288
SOL4111-093-11A		288
SOL4111-093-12A		288
SOL4211-100-14	58100-95D00-019	288
SOL4211-100-15	58100-96460-019	288
SOL4211-101-13	58100-96440-019	288
SOL4211-103-12	58100-96430-019	288
SOL4211-105-11	58100-96420-019	288
SOL4211-110-09	58100-96410-019	288
SOL4311-110-15	58100-95363-019	288
SOL4311-116-12	58100-95393-019	288
SOL4311-116-13	58100-94313-019	288
SOL4311-116-14	58100-95353-019	288
SOL4311-118-11	58100-95222-019	288
SOL4311-120-10	58100-95212-019	288
SOL4311-121-09	58100-94302-019	288
SOL4411-130-19	58100-94522-019	288
SOL4411-130-21	58100-94532-019	288
SOL4411-133-17	58100-94512-019	288
SOL4411-135-15	58100-94500-019	288
SOL4411-138-13		288
SOL4411-140-11		288
SOL4413-125-19	58100-94522-019	288
SOL4413-125-21	58100-94532-019	288
SOL4413-128-17	58100-94512-019	288
SOL4413-130-15	58100-94500-019	288
SOL4413-133-13		288
SOL4431-130-19	58100-94522-019	288
SOL4431-130-19	58100-94561-019	288
SOL4431-130-19	99105-00100-20P	288
SOL4431-130-21	58100-94532-019	288
SOL4431-130-21	58100-94571-019	288
SOL4431-130-21	99105-00100-22P	288
SOL4431-133-17	58100-94512-019	288
SOL4431-133-17	58100-94581-019	288
SOL4431-133-17	99105-00100-18P	288
SOL4431-135-15	58100-94500-019	288
SOL4431-135-15	58100-94554-019	288
SOL4431-135-15	99105-00100-16P	288
SOL4511-142-23	99105-00200-24P	288
SOL4511-143-21	99105-00200-22P	288
SOL4511-145-19	99105-00200-20P	288
SOL4511-148-17	99105-00200-18P	288
SOL4511-150-15	99105-00200-16P	288,289
SOL4511-155-17		289
SOL4512-142-23	99105-0020L-24P	288
SOL4512-143-21	99105-0020L-22P	288
SOL4512-145-19	99105-0020L-20P	288
SOL4512-148-17	99105-0020L-18P	288
SOL4512-150-15	99105-0020L-16P	288
SOL4512-155-17		289
SOL4512-158-15		289
SOL4513-140-21	58200-87D21-019	288
SOL4513-143-19	58200-87D11-019	288
SOL4513-145-17	58200-87D01-019	288
SOL4513-148-15	58200-87D61-019	288
SOL4551-140-24	99105-00200-24P	288
SOL4551-143-22	58200-87D21-019	288
SOL4551-143-22	99105-00200-22P	288
SOL4551-148-16	58200-87D61-019	288
SOL4551-148-16	99105-00200-16P	288
SOL4551-148-18	58200-87D01-019	288
SOL4551-148-18	99105-00200-18P	288
SOL4551-148-20	58200-87D11-019	288
SOL4551-148-20	99105-00200-20P	288
SOL4552-140-24	99105-0020L-24P	288
SOL4552-143-22	58200-87D22-019	288
SOL4552-143-22	99105-0020L-22P	288
SOL4552-148-16	58200-87D62-019	288
SOL4552-148-16	99105-0020L-16P	288
SOL4552-148-18	58200-87D02-019	288
SOL4552-148-18	99105-0020L-18P	288
SOL4552-148-20	58200-87D12-019	288
SOL4552-148-20	99105-0020L-20P	288
SOL4571-148-23		289
SOL4571-149-22		289
SOL4571-151-20		289
SOL4571-154-18		289
SOL4572-148-23		289
SOL4572-149-22		289
SOL4572-151-20		289
SOL4572-154-18		289
SOL9311-110-15		291

SUZUKI

REF	R.O./OEM	PAG
SOL9311-111-13		291
SOL9311-111-14		291
SOL9311-114-12		291
SOL9311-116-11		291
SOL9311-120-10		291
SOL9311-121-09		291
SOL9331-110-15		291
SOL9331-111-13		291
SOL9331-111-14		291
SOL9331-114-12		291
SOL9331-116-11		291
SOL9331-116-12		291
SOL9331-116-13		291
SOL9331-116-14		291
SOL9331-116-15		291
SOL9411-132-19		291
SOL9411-132-21		291
SOL9411-133-17		291
SOL9411-135-15		291
SOL9411-138-12		291
SOL9411-140-09		291
SOL9411-140-11		291
SOL9431-130-19		291
SOL9431-130-21		291
SOL9431-133-17		291
SOL9431-135-15		291
SOL9431-138-13		291
SOL9432-130-19		291
SOL9432-133-17		291
SOL9432-135-15		291
SOL9432-138-13		291
SOL9511-143-21		291
SOL9511-145-19		291
SOL9511-148-17		291
SOL9511-150-15		291
SOL9511-153-13		291
SOL9511-155-11		291
SOL9511-160-13		291
SOL9531-140-19		291
SOL9531-140-21		291
SOL9531-140-23		291
SOL9531-143-17		291
SOL9531-145-15		291
SOL9532-140-19		291
SOL9532-140-21		291
SOL9532-140-23		291
SOL9532-143-17		291
SOL9532-145-15		291
SOL9571-145-25		291
SOL9571-148-23		291
SOL9571-153-19		291
SOL9571-153-21		291
SOL9571-155-17		291
SOL9571-158-15		291
SOL9572-145-25		291
SOL9572-148-23		291
SOL9572-153-19		291
SOL9572-153-21		291
SOL9572-155-17		291
SOL9572-158-15		291
TEN01200	55125-96310	265
TEN01201	55125-95301	265
TEN01202	55320-98600	266
TEN01203	41810-87D00	265
TEN01204	55320-95310	265
TEN01204	55320-98311	265
TEN01204		286,287
TEN01205	11130-94600	266
TEN01206	55321-93900	266
TEN01207	55321-95500	266
TEN01208	55300-95500	265
TEN01209	55321-94502	266
TEN01210	55320-98400	265
TEN01210/1	41811-98500	265
TEN01211	55120-87801	265
TEN01211	55125-87D00	265
TEN01212	55321-90J01	265
TEN01213	55321-87J00	265
TEN01214	55320-94900	265, 286, 287
TEN01215	55125-90J01	265
THKS-1		269
THKS-12		269
THKS-2		269
THKS-22		269
THL-4		269
TRI305-0386		258
TRI305-0566		258

TOHATSU

REF.	R.O./OEM	PAG
CEF500344	3B2-65021-1	345, 346
CEF500377	369-65021-1	345, 346
CEF500379	345-65021-1	345
CEF500382	345-65021-0	345, 346
CEF500388	3B7-65021-2	345, 346
CEF500388	3C7-65021-1	345
CEF500396	309-65021-1	345
CHAL78C		322
CHAL82C		322
CHAL82YC		322
CHAL86C		322
CHAL87YCC		322
CM33860-2181	338-60218-2	319
CM348-60217-0M	348-60217-0	319
CM3B7-60217-0	3B7-60217-0	319
CM3B7-60218-0	3B7-60218-1	318
CM3C760-2181	3C7760-2181	318
CM3C760-2181A	3C7760-2181	318
CM3C8-60217-0	3C8-60217-1	319
CM3H6-60218-000	3H6-60218-0	318
CM3H6-60218-000A	3H6-60218-0	318
CM3M2-60218-1	3M2-60218-0	319
CM3V1-60217-0	3V1602170	318
CM3V1-60217-0A	3V1602170	318
CM5338602182A0	5338602182A0	318
CM5338602182A0A	5338602182A0	318
GS31015	394-702500M	318
GS31016	3B2-702810M	318
GS31017		318
GS31018	3B2-702601M	318
GS31019	99998-QMA2	318
GS31088	3B2-702501M	318
NGKB8HS-10		322
NGKBPR5HS		322
NGKBPR6HS		322
NGKBPR6HS-10		322
NGKBPR7HS		322
NGKBPR7HS-10		322
NGKBR6HS		322
NGKBR7HS		322
NGKDCPR6E		322
NGKIZFR5J		322
NGKPFZFR6H		322
NGKZFR6F-11		322
PAF15-04000002	3R3-07405-1	334
PAF15-04000003	3R3-07406-0	334
PAF15-0600016	369-64121-0	333
PAF15-07000017	3V1-02011-0	331
PAF15-07000018	3V1-03952-0	331
PAF15-07010100	3H6-07611-0	322, 338
PAF15-07010101	3H6-07612-0	338
PAF15-07020005	350-00024-1	330, 340
PAF15-07040303	3R0-07238-0	329
PAF15-07040304	3H8-07237-0	329
PAF4-01001005	3C8-62104-1	337
PAF4-01010002	398-62103-0	337
PAF4-01010003	332-62101-0	337
PAF4-01010004	332S62102-1	337
PAF4-03000023	332-60005-2	333
PAF4-04000019	3T5-10131-0	330
PAF4-04130101	3AA-05019-0	339
PAF4-04130102	3R1-05131-0	339
PAF4-05000300	369-02230-0	318, 346
PAF8-00000002	3V1-61302-0	337
PAF8-00000003	3R3-61017-0	328
PAF8-00000004	3V1-01303-0	328
PAF8-00000100	3V1-61333-1	337
PAF8-00000200	3V1-07421-0	328
PAF8-005030010	3H8-07226-0	329
PAF8-01000001	350-62423-0	337
PAF8-01000002	350-62417-0	337
PAF8-01000003	3V1-61313-0	337
PAF8-01000100	345-62441-0	337
PAF8-01010102	346-62421-1	337
PAF8-01010103	393-62437-0	337
PAF8-01010104	369-66112-1	337
PAF8-01010105	369-62439-1	337
PAF8-01010106	3V1-66313-0	337
PAF8-01010108	3B2-66321-1	337
PAF8-01010109	3B2-66315-0	337
PAF8-01010112	3K9-05223-0	337
PAF8-01010200	350-62121-1	337
PAF8-01010200	369-62122-2	337
PAF8-02000002	3B2-01215-0	334
PAF8-02000003	3V1-07440-0	334
PAF8-02000004	3V1-61220-0	334
PAF8-02000005	3V1-61208-0	334
PAF8-02000006 (L)	3V1-65110-0	334
PAF8-02000006 (S)	3V1-65100-0	334
PAF8-02000007	3V1-65206-0	334
PAF8-02000009	3V1-65203-0	334

TOHATSU

REF.	R.O./OEM	PAG
PAF8-02000100	3V1-61301-1 9401113-0800	337
PAF8-03000010	3V1-66211-0	335
PAF8-03000011	3V1-66302-0	335
PAF8-03000024	332-60006-0	333
PAF8-03010001	3V1-66187-0	335
PAF8-03010003	3V1-66225-0	335
PAF8-03010005	3B2-66113-0	335
PAF8-03010006	3C8-66116-0	335
PAF8-03010007	3B1-66145-0	335
PAF8-04000003	3B2-64020-0	333, 346
PAF8-04000004-1	3B2-64023-0	333
PAF8-04000005	3B2-65020-0	333
PAF8-04000006	3B2-65029-0	333
PAF8-04000007	350-65025-0	345
PAF8-04000007	3B2-65025-0	333
PAF8-04000008	3B2-65018-0	333
PAF8-04000009	3B2-65016-0	333
PAF8-04000010	3B2-65011-0	333
PAF8-04000012	369-64032-0	333
PAF8-04000012-1	369-64014-0	333
PAF8-04000012-2	369-64015-0	333
PAF8-04000013	3B2-65016-0	333
PAF8-04000014	3B2-64030-0	333, 346
PAF8-04000015	3V1-60042-0	333
PAF8-04000016	3V1-60041-0	333
PAF8-04000019	3B2-64230-1	333
PAF8-04000021	3B2-65022-0	333
PAF8-04000010	3B2-65011-0	346
PAF8-04000101	309-60111-0	333
PAF8-04000200	3B2-65021-1	333
PAF8-04000301	3V1-64211-0	333, 346
PAF8-04000302	3V1-64221-0	333
PAF8-04000303	3B2-64215-0	333, 346
PAF8-04000305	369-64223-0	333
PAF8-04010000	3B2-64010-0	333, 346
PAF8-04020001 (L)	3V1-64307-1	333
PAF8-04020001 (S)	3V1-64306-1	333
PAF8-04020001L		346
PAF8-04020001S		346
PAF8-04040000	3B2S60100-0	333
PAF8-04040001	3B2S60101-0	333
PAF8-04040002	345-65015-0	333
PAF8-04040004	369-60111-0	333
PAF8-04050000	3B2W64517-0	333
PAF8-05000002	3V1-01024-0	329
PAF8-05000003	172-36008-0	339
PAF8-05000004	3V1-10045-0	331, 346
PAF8-05000006	3A0-76079-0	338
PAF8-05000007	3B7-06305-0	338
PAF8-05000008	3V1-02010-1	331
PAF8-05000009	3V1-02104-0	331
PAF8-05000011	3T5-06920-0	338
PAF8-05000012	3V1-06308-0	339
PAF8-05000013	3V1-06302-0	339
PAF8-05000017	98AH10-0120	328
PAF8-05000018	346-67114-0	335
PAF8-05000019	3V1-63622-0	335
PAF8-05000020	3V1-63508-0	335
PAF8-05000021	3R0-66308-0	338
PAF8-05000024	369-00132-0	338
PAF8-05000024	98AB-5-0330	328
PAF8-05000025	369-84398-0	328
PAF8-05000100	3V1-02305-0	329
PAF8-05000200	3V1-06071-0	321, 338
PAF8-05000300	3AA-06021-0	321, 338
PAF8-05000400	3AA-06060-0	321, 338
PAF8-05000500	3V1-06040-0	321, 338
PAF8-05000600	3AA-06091-0	338
PAF8-05000800	3V1-07410-0	328
PAF8-05010000	3V1B01100-0	328
PAF8-05010002	3H8-02093-0	328
PAF8-05010004	3V1-02305-0	328
PAF8-05010005	346-01032-0	328
PAF8-05010009	3V1-07407-0	330
PAF8-05010012	3V1-00121-0	330
PAF8-05010014	3V1-10060-0	331
PAF8-05010015	3V1-10063-0	331
PAF8-05010016	3V1-10068-0	331
PAF8-05020001	3V1-00030-1	330
PAF8-05020101	3V1-00001-0	330, 340

TOHATSU

REF.	R.O./OEM	PAG
PAF8-05020102	REC8M0080346	330
PAF8-05020103	REC8M0080346	330
PAF8-05020104	REC8M0080346	330
PAF8-05020105	332-00021-0	330
PAF8-05020105	332-00024-0	340
PAF8-05020200	3V1-00040-0	330
PAF8-05020200	3V1-00040-0	340
PAF8-05030001	3V1-07201-0	329
PAF8-05030002	3V1-07202-0	329
PAF8-05030004	3V1-07205-0	329
PAF8-05030005	3AA-07203-0	329
PAF8-05030006	3V1-07221-0	329
PAF8-05030007	3H6-07223-0	329
PAF8-05030008	3V1-07010-0	329, 331
PAF8-05030009	3AA-07225-0	329
PAF8-05030011	3H8-07025-0	329, 331
PAF8-05030012	3V1-07653-0	329, 331
PAF8-05030015	3R3-07227-0	329
PAF8-05030100	3V1B01001-0	329
PAF8-05030201	3V1-07235-0	329
PAF8-05030300	3V1-07600-0	329, 331
PAF8-05030400	3H8-10062-2	331
PAF8-05040000	3FS-03100-0	344
PAF8-05040000	3V2-03100-2	344
PAF8-05050002	3V1-05259-0	339
PAF8-05050003	3R1-05125-0	339
PAF8-05050004	3AA-05004-0	339
PAF8-05050005	3V1-05104-1	339
PAF8-05050006	3R1-05003-1	339
PAF8-05050007	3R1-05012-0	339
PAF8-05050009	3R1-05007-0	339
PAF8-05050018	3AA-05013-0	339
PAF8-05090000W	3V1-06023-0	321
PAGB/T5783-M6X20	910184-5620	337
PAGB/T5783-M8X30	910113-0830	337
PAGB/T889-1-M8	3V1-61324-0	337
PAGB/T896-5	945303-0500	337
PAGB/T97-1-6	910184-5620	337
PAJASO F404 35-022	350-62415-0	337
PAJB/T7940-1-M6	344-67177-0	337
PANSKFJ-1516	3V1-60211-0	333
PAT15-04000011	940121-1200	338
PAT3.6-04000006	309-00131-0	329, 331
PH130-0006	3C8-76010-1	320
PH130-0048	353-76010-4	320
PH130-0061	350-76010-0	320
PH130-0080	346-76010-0AQI-OM	320
PH200-T024		320
PH200-WH01		320
RBX-109		348
RBX-112		348
RBX-116		348
REC16157	369-65011-0	346
REC16159	369-65025-0	346
REC16253	369-03231-0	344
REC16275	369-03303-0	344
REC162532	3C8-03125-0	344
REC16325	369-03306-0	344
REC25-803514	101-00121-0	324
REC26-16051	369-00122-0	323
REC26-161301	346-60111-0	343
REC26-16162	369-60223-0	343
REC26-161622	346-65013-0	343
REC26-16703	369-01215-0	343
REC26-803667	350-00121-0	343
REC26-85370711	3B2-00051-0	324
REC26-8537072	346-01215-0	343
REC27-16274	369-03302-0	345
REC27-16326	369-03307-0	345
REC27-855569	3C8-04018-0	344
REC27-8555691	3C8-04028-0	345
REC30-16049	9603-3-6204	323, 324
REC30-160494	96603-3-6305	325
REC30-16049T01	345-00113-0	326
REC30-898101936	9643-3-6004	341
REC30-95307	9643-3-6202	341
REC309-01005-2	309-01005-2	341
REC31-16052	350-00042-0	323, 325, 340
REC31-803675	3G4-00043-0	325
REC31-8036752	338-00042-0	324

TOHATSU

REF.	R.O./OEM	PAG
REC31-8036752	338-00042-0	340
REC31-813048	369-00043-0	323
REC31-8130482	356-00043-0	326
REC31-855553	3C8-00113-0	327
REC345-00042-0	345-00042-0	326, 327, 340
REC346-01005-0	346-01005-0	341
REC346-01303-0	350-01303-0	342
REC350-01005-0	350-01005-0	341
REC350-01303-0	350-01303-0	342
REC350-61012-1	350-61012-1	342
REC351-01005-0	351-01005-0	341
REC353-06260-0	353-06260-0	321
REC353-06260-2	353-06260-2	321
REC369-06021-0	369-06021-0	321
REC369-0682-0	398-06830-0	321
REC39-16054A5	346-00011-0	326, 340
REC39-803678A1	350-00011-0	325, 340
REC39-803678A3	3B2-00011-0	324, 340
REC3A0-06040-1	3A0-06040-1	322
REC3A106-2602M	3A106-2402M 3A106-2601M	321
REC3B2-01005-0	3B2-01005-0	341
REC3B2-01303-0	3B2-01303-0 3B7-01303-0	342
REC3B2-87321-0	3B2-87321-0	345
REC3B7-02305-1	3B7-02305-1	342
REC3B7-87121-1	3B7-87121-7	342
REC3C8-01005-4	3C8-01005-4	341
REC3C8-01024-0	3C8-01024-0	343
REC3C8-01303-4	3C8-01303-4	342
REC3C8-02104-0	3C8-02104-0	343
REC3C8-02305-0	3C8-02305-0	343
REC3F0-06060-0	3F0-06060-0	321
REC3F0-06153-0	3F0-06153-0	322
REC3F0-65029-0	3F0-65029-6	345
REC3F3-01005-0	3F3-01005-0	341
REC3F3-01024-0	3F3-01024-0	343
REC3F3-01303-1	3F3-01303-1	342
REC3F3-02104-0	3F3-02104-0	343
REC3F3-02305-1	3F3-02305-1	342
REC3F3-87121-1	3F3-87121-7	342
REC3G2-06040-2	3G2-06040-2	322
REC3G2-06060-2	3G2-06060-2	321
REC3G3-06021-1	3G3-06021-1	321
REC3T5-87121-6	3T5-87121-6	341
REC3T9-01005-0	3T9-01005-0	341
REC3T9-01024-0	3T9-01024-0	343
REC3T9-01032-0	3T9-01032-0	345
REC3T9-02104-0	3T9-02104-0	343
REC3V1-87121-0	3V1-87121-0	341
REC40145		318
REC41-16056	369-00021-0	323, 340
REC41-803680002	350-00021-0	340
REC41-803680002 18HP	350-00021-0	325
REC41-803680003	3C8-00021-0	326, 327, 340
REC41-8036801	3B2-00021-0	324
REC41-8036801	3B2-0021-0	340
REC41-825713002	332-00021-0	340
REC41-825713002 9.9/15 HP	332-00021-0	325
REC43-16138		346
REC43-803739		346
REC43-803739T03		346
REC43-803740		346
REC43-803740T02		346
REC43-803741		346
REC43-803741T03		346
REC43-812944		346
REC43-8129451		346
REC44-195133		346
REC45-161351		346
REC45-803738		346
REC45-8037381		346
REC53-16057	334-00024-1	324, 325, 326, 327, 340
REC5GH-13440-00		346
REC5GH913440-00	3R0-07615-0	318
REC5GH913440-00	3R3R76150M	318
REC629-803674	350-00040-0	325, 340
REC629-8036741	3B2-00040-0	324, 340
REC629-813047	369-00040-0	323, 340
REC629-813047T01	336-00040-1	326, 340

TOHATSU

REF.	R.O./OEM	PAG
REC6G1-W0093-00	369-87122-1	344
REC6H3-W0093-01	346-87122-0	344
REC779-803677	351-00001-0	340
REC779-803677	351-00001-1	325
REC779-803677T02	350-00001-1	325, 340
REC779-804886	3B2-00001-0	324, 340
REC779-879194T01	346-00001-1	326, 340
REC779-9615T	369-00001-0	323, 340
REC779-9615T00	3C8-00001-3	327
REC779-9615 2	3C8-00001-3	340
REC803671	3B2-0061-0	324
REC803673	350-00061-0	325
REC803751	350-65011-1	346
REC804898	3B2-636001-0	344
REC813046002	369-00061-0	323
REC8130461	334-00061-0	326
REC84419M	345-87122-0	344
REC8537312	350-04005-0	344
REC855676002	3R3-01030-0	345, 346
REC879147T96		346
REC8M0065585	350-01215-5	343
REC8M0076368		346
REC8M0080346	3V1-87123-0	340
REC8M0080349	346-00011-0	327, 340
REC8M0080357	351-00011-0	323, 325, 340
SIE18-6865		320
SOL3411-130-19	3C7-64554-0	348
SOL3411-130-21		348
SOL3411-133-17	3C7-64541-0	348
SOL3411-135-15	3C7-64536-0	348
SOL3411-138-13	3B7-64527-1	348
SOL3411-140-11	B7-64523-1	348
SOL3413-125-19	3C7-64554-0	348
SOL3413-125-21		348
SOL3413-128-17	3C7-64541-0	348
SOL3413-130-15	3C7-64536-0	348
SOL3413-133-13	3B7-64527-1	348
SOL3431-130-19	3C7-64554-0	348
SOL3431-130-21		348
SOL3431-133-17	3C7-64541-0	348
SOL3431-135-15	3C7-64536-0	348
SOL5011-078-07		348
SOL5011-078-08		348
SOL5011-085-07	3B2-64513-0	348
SOL5011-085-08	3B2-64515-0	348
SOL5011-085-09	3B2-64517-0	348
SOL5111-093-07	362-64105-0	348
SOL5111-093-08	362-64103-0	348
SOL5111-093-09	362-64103-0	348
SOL5111-093-10	362-64108-0	348
SOL5111-093-11		348
SOL5211-099-09	346-64101-5	348
SOL5211-099-10	346-64102-5	348
SOL5211-099-11	346-64103-5	348
SOL5211-099-13	346-64104-5	348
SOL5213-100-13	346-64104-5	348
SOL5213-102-11	346-64103-5	348
SOL5311-110-15		348
SOL5311-110-16		348
SOL5311-110-17		348
SOL5311-111-13	3E3-64528-0	348
SOL5311-111-14	3E3-64536-0	348
SOL5311-114-12	348-64103-0	348
SOL5311-116-11	348-64102-0	348
SOL5311-121-09	361-64114-0	348
SOL5311-122-07		348
SOL5311-122-08	361-64113-0	348
SOL5313-105-13	3E3-64528-0	348
SOL5313-105-14	3E3-64536-0	348
SOL5313-108-12	348-64103-0	348
SOL5313-111-11	348-64102-0	348
SOL5313-118-09	361-64114-0	348
SOL9311-111-13		349
SOL9311-114-12		349
SOL9411-133-17		349
SOL9411-135-15		349
SOL9411-138-12		349
SOL9411-140-09		349
SOL9411-140-11		349
SOL9431-130-19		349

TOHATSU

REF.	R.O./OEM	PAG
SOL9431-130-21		349
SOL9431-133-17		349
SOL9431-135-15		349
SOL9431-138-13		349
SOL9432-130-19		349
SOL9432-133-17		349
SOL9432-135-15		349
SOL9432-138-13		349
SOL9511-132-19		349
SOL9511-132-21		349
SOL9511-143-21		349
SOL9511-145-19		349
SOL9511-148-17		349
SOL9511-150-15		349
SOL9511-153-13		349
SOL9511-155-11		349
SOL9512-143-21		349
SOL9512-145-19		349
SOL9512-148-17		349
SOL9512-150-15		349
SOL9531-140-19		349
SOL9531-140-21		349
SOL9531-140-23		349
SOL9531-143-17		349
SOL9531-145-15		349
SOL9532-140-19		349
SOL9532-140-21		349
SOL9532-140-23		349
SOL9532-143-17		349
SOL9532-145-15		349
SOL9571-148-23		349
SOL9571-150-21		349
SOL9571-153-19		349
SOL9571-155-17		349
SOL9571-158-15		349
SOL9572-148-23		349
SOL9572-150-21		349
SOL9572-153-19		349
SOL9572-155-17		349
SOL9572-158-15		349
TEN01250	338-60218-2	319, 346
TEN01251	369-60218-1	319
TEN01252	348-60217-0	319
TEN01253	3C8-60217-1	319, 346
TEN01254	3C7-60218-2	319
TEN01255	3B7-60217-0	319
TEN01256	3B7-60218-1	319, 346
TEN01257	3M2-60218-0	319
TEN01258	5338602182A0	320, 346
TEN01259	3H6-60218-0	320, 346
TEN01260	3B7-60217-0	320, 346
WI3153P3		340
WI3153PS		340
WI3154PS		340
WI3155P3		340
WI3155PS		340
WI3156P3		340
WI3157P3		340
WI3153PS		340
WI3154PS		340
WI3155PS		340
WI3155PS		340
WI3156P3		340
WI3157P3		340

YAMAHA

REF.	R.O./OEM	PAG
647-11610-00	REC647-11610-00	99
647-11610-10	REC647-11610-10	99
647-11610-20	REC647-11610-20	99
677-11412-02	REC677-11412-00	99
677-11422-02	REC677-11422-00	99
677-11432-02	REC677-11432-00	99
677-11442-02	REC677-11442-00	99
677-11515-01		99
677-11631-00-97	REC677-11631-00K	99
677-11635-00	REC677-11635-00K	99
677-11636-00	REC677-11636-00K	99
67D-24410-03	66M-24410-11	162
682-44323-00	6E5-44311-00	247
6DA-11181-00		146
6E0-11651-01	REC6E0-11651-01	99
6G1-11633-00	REC6G1-11633-00	99
6G1-11681-00	REC6G1-11681-00	99
90201-12565	REC90201-12565	99
90209-18112	REC90209-18112	99
91690-30010		99
93306-204U0	REC93306-204U0	99
93310-418U0	REC93310-418U0	99
93440-47055		99
93450-13022	REC93450-13022	99
93602-14118	REC93602-14118	99
CEF500302	6G1-44352-00	221
CEF500316	6H3-44352-00	221
CEF500320	682-44352-03	221
CEF500321	662-44352-01	221
CEF500322	6L5-44352-00	221
CEF500323	688-44352-03	221
CEF500324	646-44352-01	221
CEF500325	6E0-44352-00	221
CEF500326	689-44352-02	221
CEF500352	6F5-44352-00	221
CEF500363	63V-44352-01	221
CEF500364	67F-44352-00	221
CEF500368	68T-44352-00	221
CEF500371	6E5-44352-01	221
CEF500384	6L2-44352-00	221
CEF500385G	6H4-44352-02	221
CEF500389N	6AW-44352-00	179, 221, 244
CEF500600		48
CEF500621		48
CHAL90C		70
CHAQL77JC4/L77JC4		70
CHAQL78C/L78C		70
CHAQL82C/L82C		70
CHAQL86C/L86C		70
CHARA8HC		70
CHARA8HS		70
CHARC12YC		70
CHARC9YC4		70
CHAREC10YC4		70
CHAZ9Y		70
CM15008		56
CM15008A		56
CM15026	6E5-11325-00	54
CM15026A	6E5-11325-00	54
CM30825Z3	689-11325-00	55
CM41106-ZW000		55
CM42121		55
CM61A-45371	61A-45371-00	56
CM61A-45371-00A	61A-45371-00	56
CM61N-45251-01	61N-45251-01	56, 173, 191, 195
CM61N-45251-01A	61N-45251-01	56
CM61N-453471-00	61N-45371-00	195
CM62Y-11325-00	62Y-11325-00	55
CM63D-45251-01	CM63D-45251-01	56
CM663-11325-00	663-11325-00	115
CM664-45371-01	664-45371-01	197, 199, 201
CM664-45371-01A	664-45371-01A	56
CM664-45371-01-00	CM664-45371-01-00	193
CM664-45371-01A	664-45371-01A	56
CM66M-45371-00	66M-45371-00	55
CM679-45251-00	679-45251-00	57
CM67C-45251-00	67C-45251-00	54, 201
CM67C-45371-00	67C-45371-00	56
CM67F-11325-00	67F-11325-00	56
CM67F-11325-00	67F-11325-01	93
CM682-11325-00	682-11325-00	100
CM688-11325-00	688-11325-00	118
CM688-45251-01	688-45251-01	55
CM688-45251-01A	688-45251-01	55
CM688-45371-02	688-45371-02	57, 207, 211
CM688-45371-02	688-45371-02-00	209

YAMAHA

REF.	R.O./OEM	PAG
CM688-45371-02A	688-45371-02	57
CM689-11325-00	689-11325-00	103
CM68T-45251-00	68T-45251-00	54
CM68T-45251-00A	68T-45251-00	54
CM68V-11325-01	68V-11325-01	54
CM68V-11325-01A	68V-11325-01	54
CM69L-45371-00	69L-45371-00	57
CM69L-45371-00A	69L-45371-00	57
CM6E0-45251-11	677-45251-00	187
CM6E0-45251-11C	6E0-45251-11-00	54
CM6E0-45251-11A	6E0-45251-11-00	54
CM6E5-11325-00	6E5-11325-00	122
CM6E5-45251-00		54
CM6E5-45251-00A		54
CM6E5-45311-10	6E5-45371-10	207
CM6E5-45371-01	6E5-45371-01	57, 213
CM6E5-45371-01A	6E5-45371-01	57
CM6E5-45371-10	6E5-45371-10	55
CM6E8-45251-00	6E8-45251-00	55
CM6E8-45251-01	6E8-45251-02	55
CM6G1-45251-02	6G1-45251-02	55
CM6G1-45251-03	6G1-45251-03	55
CM6G5-45251-01	6G5-45251-01	54
CM6G5-45251-01A	6G5-45251-01	54
CM6G8-11325-00	6G8-11325-00	56, 79
CM6G8-45251-01	6G8-45251-00	55
CM6H1-45251-01	6H1-45251-01	55
CM6H1-45251-02	6H1-45251-02	54
CM6H1-45251-02A	6H1-45251-02	54
CM6H3-11325-01	6H3-11325-01	117
CM6J8-11325-00	6J8-11325-00	103
CM6J9-45371-01	6J9-45371-01	57, 177
CM6J9-45371-01A	6J9-45371-01	57
CM6K1-45371-00	6K1-45371-00	57
CM6K1-45371-00A	6K1-45371-00	57
CM6K1-45371-02	6J9-45371-02	57
CM6K1-45371-02A	6J9-45371-02	57
CM6L5-45251-02	6L5-45251-02	55, 181
CM6L5-45251-02A	6L5-45251-02	55
CM6L5-45251-03	6L5-45251-03	183
CM6N0-G521-00	CM6N0-G5251-00	185
CM6T4-45836-00	6T4-45836-00	56
CM6T5-45371-00	6T5-45371-00	57
CM6T5-45373-00	6T5-45373-00	56
CM6U0-45251-00	6U0-45251-00	55
CM6U4-45251-00		54
CM825171		55
CM82795M		56
CM82795MA		56
CM85007	688-11325-00	56
CM85007A	688-11325-00	56
CMY150CRKITA		54
CMY150CRKITM		54
CMY150KITA		54
CMY150KITM		54
CMY200250KITA		54
CMY200250KITM		54
CMY200300KITA		54
CMY200300KITM		54
EC6F5-45113-A0	6F5-45113-A0	143
EC6L2-W0001-03	6L2-W0001-A2	141
GB/T91-86	91490-25030	171
GKCR6HS		71
GLM12053	692-W0078-00/01	250
GLM12058	689-W0078-04	244, 249
GLM12059	689-W0078-A6	192, 244, 245, 249
GLM12064	6H4-W0078-A0	198, 245
GLM12066		244
GLM12067	68V-W0078-00	244, 251
GLM12068	60X-W0078-00	178, 251
GLM12075	65N-W0078-A1	251
GLM12076	689-44311-03	193, 244, 245, 246
GLM12264	6N6-W0078-00	251
GLM12275	67F-W0078-00	244, 250
GLM12276	63D-W0078-01	244, 245, 250
GLM12277	6L2-W0078-00	244, 249
GLM12278	682-W0078-A1	249
GLM12279	663-W0078-A0	250
GLM12281	682-W0078-00	189
GLM12281	682-W0078-A2	249
GLM12281	682-W0078-A1	188
GLM12282	692-W0078-(00/01)-00	208, 210
GLM12282	692-W0078-02	250
GLM12283		244, 245, 246
GLM12284	6J8-W0078-A1	249
GLM12285	6J8-W0078-A1	249

YAMAHA

REF.	R.O./OEM	PAG
GLM12285	6J8-W0078-A2	196, 244
GLM12447		245
GLM12452		245
GLM12455		244
GLM12508	6L2-44323-00	248
GLM12515	682-44323-00	247
GLM12519	60X-44323-00	220, 246, 248
GLM12521	65N-44323-00	247
GLM12523	667F-44323-00	244, 247
GLM12524	63D-44323-00-00	244, 245, 248
GLM12808	93606-12019	94, 100
GLM12866		244
GLM12869	626-44365-01	193
GLM12872		244
GLM12874	63D-44312-00	201
GLM12883	6J9-45371-01	217
GLM13010	6F5-12411-02	115
GLM13010	6F5-12411-03	163
GLM21221	92990-18200	177, 213, 215, 217
GLM21223	90389-25M00	207
GLM21225	92990-16200	199, 205
GLM21720	92995-08600	205, 215
GLM22178	67F-45997-00	207
GLM22428	97095-06040	195
GLM22507	90101-06M56	193
GLM24720	6R5-11645-11	121
GLM24730	6R5-11635-11	121
GLM24740	6R5-11646-11	121
GLM24750	6R5-11636-11	121
GLM24960		50
GLM25010		49
GLM25020		49
GLM25030		49
GLM38009	689-44315-A0	193
GLM38015	90430-08020	195
GLM38108	689-44316-A0	193
GLM38109	689-44324-A0	193, 244, 245
GLM38300	6E5-44365-00	177, 178, 213, 215, 217, 220, 244
GLM38301	6E5-44366-00	177, 213, 215, 217, 245, 246
GLM38304		244
GLM38305	689-44366-00	193, 195, 244, 245
GLM84215	93210-54534	177
GLM84215	93210-55M14	215, 217
GLM84285	93210-40M10	193
GLM84310		244
GLM87812	698-W0001-20	225
GLM87831	6E5-W0001-21	226
GLM87833	6J8-W0001-21	224
GLM87833	6J8-W0001-C2	196
GLM87834	6H4-W0001-21	224
GLM87839	6F3-W0001-21	226
GLM87842	61A-W0001-21	226
GLM89585		244
GLM89589	664-44338-00	193, 244
GS11290		70
GS11291		70
GS11292		70
GS11294		70
GS30435		51
GS31001		51
GS31002		51
GS31020		49
GS31064		49
GS31065		51
GS31066		51
GS31067		51
GS31068		49
GS31069		49
GS31073		49
GS31074	6Y1-24305-06	49
GS31076	6E5-24305-06	49
GS31090		48
GS31092		49
GS31095		48
GS31096		48
GS31097		48
GS31098		48
GS31099		48
GS31155		51
GS31156		51
GS31157		51
GS31166		51
GS31187		48
GS31188		48
GS31189		48

YAMAHA

REF.	R.O./OEM	PAG
NGKB5HS		71
NGKB6HS		71
NGKB7HS	94702-00040	71, 108, 115
NGKB7HS-10	94702-00217	98, 103
NGKB7HS-10	94702-00271	71, 100
NGKB8HS	94702-00041	71, 115
NGKB8HS-10	94702-00160	115
NGKB8HS-10	NGK-B8HS10-PK10	71, 118
NGKBKR6EUKU		71
NGKBPR7HS	94702-00248	77
NGKBR5HS		71
NGKBR6HS	94702-00248	75
NGKBR6HS-10	94702-00274	71, 96
NGKBR7HS	94702-00272	94
NGKBR7HS	NGK-BR7HS-PK10	71, 106
NGKBR7HS-10	94702-00271	71, 96, 103, 104, 111
NGKBR8HS		71
NGKBR8HS-10	94702-00247	111, 117, 120
NGKBR8HS-10	94702-00271	71, 122
NGKBR9HS-10	94702-00309	120
NGKCR5HS		71
NGKCR6HS	94701-00282	71, 79
NGKDRP5EA-9		71
NGKDRP6EA-9		71
NGKDRP7EA-9	94701-00375	85, 87
NGKLF5A-11	94702-00391	71, 91
NGKLF6A-11		71
NGKR7EUKU		71
PA166F-000001	JA9-12153-00	75
PA166F-010001	67D-12111-00	75
PA166F-010002	67D-12121-00	75
PA166F-010003	51Y-12119-00	75
PA166F-010006	7NJ-12118-00	75
PA166F-010008	67D-12157-00	75, 77
PA166F-010009	67D-12151-00	75, 77
PA166F-010010	7FK-12165-00	75, 77
PA166F-010011	7FK-12158-00	75, 77
PAF-0300000L	68D-G5300-10-4D	171
PAF-0300000S	68D-G5300-00-4D	171
PAF-03000016	93604-09066	183
PAF-04060003	664-45631-02	175
PAF-04070003	68D-E1325-00	75
PAF2.6-04020005	69M-E1633-00	124
PAF2.6-04020006	93450-13130	124
PAF15-00000005	66M-45113-00	152
PAF15-00000006	93606-11M24	175
PAF15-00000006	93606-12019	103, 111, 207
PAF15-00000013	93604-12M07	73, 75, 169, 173, 191
PAF15-00000014	66M-11351-10	81, 144, 146
PAF15-01000004	90386-30048	222
PAF15-01010302	90386-22M15	222
PAF15-02000005	66M-44361-10	173
PAF15-02000005S	66M-44361-00	173
PAF15-02000006	63V-44365-10	173
PAF15-03000003	66M-45115-00	153
PAF15-04000002	90340-14M00	117
PAF15-04000002	90340-14M06	87
PAF15-04000003	90430-14115	93, 108
PAF15-04000003	90430-14M09	87
PAF15-04000005	676-11372-00	75, 79, 81, 93, 100, 103, 104
PAF15-04010004	66M-41138-00	153
PAF15-05000011	688-24378-00	81, 87, 93
PAF15-05000012	90445-09061	81
PAF15-05000013	90445-09086	81
PAF15-05000014	90445-09104	81
PAF15-06000004	61N-45251-00	175
PAF15-06000006	63V-45536-00	173, 191
PAF15-06000007	63V-44323-00-00	247
PAF15-06000008	6E8-45587-10-13	173, 191
PAF15-06000010-1	664-45567-01-10	173, 191
PAF15-06000013	63V-44338-00	191
PAF15-06000014	63V-44328-00	173, 191
PAF15-06020001	63V-45331-00-5B	173
PAF15-06020002	90381-14020	191
PAF15-06020004	93210-06ME6	174
PAF15-06030000	63V-44150-10	191
PAF15-06030000S	63V-44150-00	173, 191
PAF15-06040000S	63V-45510-00	173
PAF15-06060004	647-44366-00	173, 244
PAF15-06070002	90501-14M06	173, 191
PAF15-06070004	90250-05010	175
PAF15-06070005	648-45633-00	175
PAF15-06080003	93210-56M80	173, 191
PAF15-06080006-1	626-45577-00	191
PAF15-06080006-1	626-45577-00-01	173

YAMAHA

REF.	R.O./OEM	PAG
PAF15-06100000L	66M-45300-11-4D	165, 173
PAF15-06100000S	66M-45300-02-4D	165, 173
PAF15-070000013	93604-12M07	81
PAF15-07000001	99510-10114	81, 85
PAF15-07000001	91810-03014	79
PAF15-07000002	66M-46241-00	83
PAF15-07000024	66M-46297-00	83
PAF15-07000028	90105-08M78	85
PAF15-07000031	66M-12411-01	90, 164
PAF15-07000031	6G8-12411-02	87
PAF15-07000100	66M-11181-10	85, 139, 146
PAF15-07000200	66M-85580-00	68
PAF15-07000300	66M-85520-00	67
PAF15-07000400	66M-85533-00	69
PAF15-07000600	66M-85570-00	68
PAF15-07010000	66M-15100-02-1S	81
PAF15-070100006	6E5-24377-00	81
PAF15-070100008	66M-11325-00	81
PAF15-070100011	66M-11327-00-94	81
PAF15-07010003	90401-20M00	81, 87
PAF15-07010006	6E5-24377-00	79
PAF15-07010007		81
PAF15-07010009	66M-11328-00	81, 87
PAF15-07010012	66M-12535-00	81
PAF15-07010013	66M-11168-001S	81
PAF15-07010014	66M-11357-00	81
PAF15-07010018	66M-41114-01	81, 147
PAF15-07010019	66M-41113-20-1S	81
PAF15-07010021	6H3-12413-00-9M	87
PAF15-07010021	6H3-12413-001S	81
PAF15-07010022	62Y-12414-00	81, 87, 164
PAF15-07010023	5GH-13440-00	81
PAF15-07010024	66M-11416-00	83
PAF15-07010026	6E5-11325-00	81
PAF15-07010027	90480-12072	83
PAF15-07020001	66M-11631-00-96	83, 124, 130
PAF15-07020005	93450-15023	83, 124
PAF15-07020006	634-11633-00	83, 124
PAF15-07020100	66M-11650-00	83
PAF15-07030000	66M-11411-00	83, 135
PAF15-07030003	66M-11536-10	83
PAF15-07030004	66M-11557-00	83
PAF15-07030005	90170-28M37	83
PAF15-07030006	93102-35M51	83
PAF15-07030007	93102-25M52	83
PAF15-07040001	66M-12111-00	85
PAF15-07040002	66M-12121-00	85
PAF15-07040004	66M-12116-00	85
PAF15-07040005	66M-12113-00	85
PAF15-07040006	30X-12117-00	89
PAF15-07040007	30X-12118-00	85, 89
PAF15-07040008	93102-18M21	83
PAF15-07040009	90387-13001	85
PAF15-07040011	90387-13002	85
PAF15-07040012	90387-13M56	85
PAF15-07040013	90501-12M41	85
PAF15-07040014	90501-12M40	85
PAF15-07040015	66M-12146-00	85
PAF15-07040016	66M-13329-10	83
PAF15-07040017	90201-13201	83
PAF15-07040018	66M-11537-00-94	83
PAF15-07040100	66M-11111-01-1S	85
PAF15-07040105	93450-09M01	79, 87
PAF15-07040200	66M-12170-00	83
PAF15-07040301	66M-12151-10	85
PAF15-07040303	62Y-12159-00	85, 89
PAF15-07040304	62Y-12158-00	85, 89
PAF15-07040500	66M-13300-10	83
PAF15-07050001	66M-11191-00-1S	85
PAF15-07050003	90480-10M16	83
PAF15-07050004	69M-E5363-00	73
PAF15-07050004	6G8-15363-00	79, 85, 87
PAF15-07050006	30X-12117-00	85
PAF15-07080000	61N-24560-00	51
PAF15-07090000	66M-14301-00	155
PAF15-07090000W	66M-14301-00	155
PAF15-10030001	66M-12138-60	85
PAF2.6-00000003	69M-45113-A0	75, 144, 146
PAF2.6-02000003	69M-44361-00	169
PAF2.6-03000001	69M-G5311-00-4D	169
PAF2.6-03000002	6L5-45317-09	169
PAF2.6-03000003	6L5-45316-09	169
PAF2.6-03000004	93103-09M41	169
PAF2.6-03000007	69M-G5315-A0	169
PAF2.6-03000008	69M-G5321-00-94	169
PAF2.6-03000009	93210-05001	169

YAMAHA

REF.	R.O./OEM	PAG
PAF2.6-0300000L	69M-G5300-01-4D	169
PAF2.6-0300000S	69M-G5300-00-4D	169
PAF2.6-03000010	69M-G4323-00	169, 244, 247
PAF2.6-03000011	69M-G5511-00	169
PAF2.6-03000012	93440-08819	169
PAF2.6-03000013	93604-07M13	169, 244
PAF2.6-03000014	69M-G4311-00	169, 244, 246
PAF2.6-03000015	6L5-44322-00	169, 244
PAF2.6-03000016	69M-G4328-00	169
PAF2.6-03000017	6L5-45533-00-20	169
PAF2.6-03000018	6L5-45551-00	169
PAF2.6-03000019	6L5-45560-00	169
PAF2.6-03000020	69M-G5635-00	169
PAF2.6-030000201	6L5-45631-00	169
PAF2.6-03000021	90201-13198	169
PAF2.6-03000100	6L5-44352-00	169
PAF2.6-03000202	6L5-45631-00	169
PAF2.6-03000300		169
PAF2.6-03000301	69M-G5361-00-4D	169
PAF2.6-03000302		169
PAF2.6-03010000	6L5-45943-00-EL	169
PAF2.6-03020000L	69M-65300-11-4D	165
PAF2.6-03020000S	69M-65300-01-4D	165
PAF2.6-04000001	69M-11181-00	75, 139, 146
PAF2.6-04000002	69M-12154-00	75
PAF2.6-04000003	7FK-11654-00	75
PAF2.6-04000003	90201-23008	75
PAF2.6-04000004	69M-11351-A0	73, 151
PAF2.6-04000005	69M11193-A0	75
PAF2.6-04000006	69M-E1191-00-1S	75
PAF2.6-04000007	90445-09080	75
PAF2.6-04000008	69M-G2743-00	73
PAF2.6-04000009	6G8-44352-00	73
PAF2.6-04000100	69M-12170-01	75
PAF2.6-04000200	69M-14301-21	155
PAF2.6-04000501	69M-E2413-00-1S	75
PAF2.6-04000600	69M-85640-00	67
PAF2.6-04010001	93102-20108	73
PAF2.6-04010100	69M-E1311-00-1	73
PAF2.6-04010102	69M-15361-00	73
PAF2.6-04020001	69M-E1631-01-96	75, 124, 130
PAF2.6-04020005	69M-E1633-00	75
PAF2.6-04020006	93450-13130	75
PAF2.6-04020100	69M-11650-00	75
PAF2.6-04030000	69M-11400-00	75, 135
PAF2.6-04040001	69M-E2155-00	75
PAF2.6-04040100	69M-E1111-00-1S	75
PAF2.6-04050001	69M-E5111-00-1S	73
PAF2.6-04050100	69M-E3102-00	73
PAF2.6-04060001	69M-E5396-00	73
PAF2.6-04060002	93210-09004	73
PAF2.6-070000008	68D-E2138-40	75
PAF2020	93315-22077	175
PAF25-00000011	90105-10M12	175
PAF25-00000013	65W-11351-10	87, 144, 146
PAF25-00000014	95300-08012	87
PAF25-01000001	90386-52M02	222
PAF25-01000004	90386-44M03	222
PAF25-02000004L	65W-44361-10	175
PAF25-02000004S	65W-44361-00	175
PAF25-02000005	90430-12072	175
PAF25-02000019	90202-12060	175
PAF25-02010005	62Y-11325-00	87
PAF25-02010007	67C-15312-00	152
PAF25-03000008	90445-09068	87
PAF25-03000009	90445-09095	87
PAF25-03000011	90445-09105	87
PAF25-04000001	61N-45311-02-4D	175
PAF25-04000002	61N-45536-00	175, 195
PAF25-04000003-1	61N-45587-00-07	175, 195
PAF25-04000003-2	61N-45587-00-10	175
PAF25-04000003-3	61N-45587-00-11	175
PAF25-04000003-4	61N-45587-00-12	175
PAF25-04000003-5	61N-45587-00-13	175
PAF25-04000003-6	61N-45587-00-14	175
PAF25-04000003-7	61N-45587-00-15	175
PAF25-04000003-8	61N-45587-00-16	175
PAF25-04000004-1	6L2-45567-00-10	195
PAF25-04000004-2	6L2-45567-11	175

YAMAHA

REF.	R.O./OEM	PAG.
PAF25-0400008	65W-45331-00-5B	175
PAF25-0400009	61N-45315-00	175, 195
PAF25-040000L	65W-45300-10-4D	175
PAF25-040000S	65W-45300-00-4D	175
PAF25-0400012	65W-44176-00	174
PAF25-0400013	61N-45127-00	175, 195
PAF25-0400014	61N-44323-00	174, 248
PAF25-0400015	90280-03024	175, 244
PAF25-0400016	65W-44328-00	174
PAF25-0400017	61N-44362-10	174, 195
PAF25-0400017S	61N-44362-00	174, 195
PAF25-0400021	61N-45214-00	175
PAF25-0400022	6L2-45214-00	175
PAF25-0400023	6L2-45215-00	175
PAF25-0400024	6L2-45987-01	175
PAF25-0400025	689-45997-00	175
PAF25-0400027	90171-14013	175
PAF25-0400031	688-45341-00	175
PAF25-04010000	61N-45510-10	175
PAF25-04010000S	61N-45510-00	175
PAF25-04010003	93101-22067	175
PAF25-04020000	61N-45560-00	175
PAF25-04030000	65W-44150-10	175
PAF25-04030000S	65W-44150-00	175
PAF25-04040000	6H4-44352-02	174
PAF25-04050000	61N-44311-01	174
PAF25-04050001	646-44323-00 69P-44311-00 61N-44322-01	174, 195, 244, 245, 246, 247
PAF25-04050002	93210-45161	174, 195, 244, 245
PAF25-04050004	6L2-44367-00	174, 195, 244, 245
PAF25-04060000		175
PAF25-04060001	612-45611-00	175
PAF25-04060002	90501-10065	175, 195, 197
PAF25-04060006	648-45635-00	175
PAF25-04060007	90201-20417	175
PAF25-04070000		175, 229, 230
PAF25-04070001	61N-45361-01-4D	175, 195
PAF25-04070002	93210-64ME7	175
PAF25-04070003	93210-65M50	175
PAF25-04070004	61N-45571-00	175
PAF25-04070005-1	6L2-45577-00-10	175, 195
PAF25-04070005-2	6L2-45577-00-11	175
PAF25-04070005-3	6L2-45577-00-12	175
PAF25-04070005-4	6L2-45577-00-13	175
PAF25-04070006	93101-20M07	175
PAF25-04080000	664-45947-01-EL	175
PAF25-04090000L	65W-45300-01-4D	165
PAF25-04090000S	65W-45300-01-4D	165
PAF25-05000002	90119-09M00	87
PAF25-05000004	65W-11356-00	87
PAF25-05000005	65W-11191-00-94	87
PAF25-05000007	65W-15121-00	87
PAF25-05000013	90465-08M99	73
PAF25-05000016	90464-07M05	117
PAF25-05000021	65W-11536-10	89
PAF25-05000022	65W-11476-00	89
PAF25-05000023	65W-46241-00	89
PAF25-05000024	90280-04M06	90
PAF25-05000026	90170-35M47	89
PAF25-05000100	5GH-13440-00	87
PAF25-05010000	65W-15100-00-94	87
PAF25-05010106	66W-11119-00	87
PAF25-05010107	65W-13286-00	87
PAF25-05010108	65W-11169-00	87
PAF25-05010109	65W-11168-00	87
PAF25-05010111	65W-41114-00	87, 147
PAF25-05010112	65W-41113-01-94	87
PAF25-05010113	62Y-11372-01	87
PAF25-05010302-1	62Y-11416-00	89
PAF25-05010302-2	62Y-11416-10	89
PAF25-05020001	65W-11411-01	89, 135
PAF25-05020002	93102-35M47	89
PAF25-05020003	93102-43M42	89
PAF25-05020100	65W-11631-00-96	124
PAF25-05020100	65W-41114-00	89
PAF25-05020101	65W-11631-00-96	89, 130
PAF25-05020105	62Y-11633-00	89, 124
PAF25-05020106	93450-17129	89, 124
PAF25-05020200	67C-11650-00	89
PAF25-05020203-1	62Y-11656-00	89
PAF25-05020203-2	62Y-11656-00	89
PAF25-05020204	62Y-11654-00	89
PAF25-05020301	65W-11642-11	89

YAMAHA

REF.	R.O./OEM	PAG.
PAF25-05020310	65W-11665-00	89
PAF25-05040000	65W-11181-30	87, 139, 146
PAF25-05050001	67C-12111-00	89
PAF25-05050002	62Y-12121-00	89
PAF25-05050003	62Y-12116-00	89
PAF25-05050005	51Y-12119-00	89
PAF25-05050006	90109-06M65	87
PAF25-05050007	90430-06014	87
PAF25-05050008	65W-12146-00	89
PAF25-05050009	62Y-12238-00	89
PAF25-05050011	62Y-12216-00	89
PAF25-05050012	62Y-12231-00	89
PAF25-05050013	93210-12MG9	89
PAF25-05050014	93210-14515	89
PAF25-05050015	93210-33MH2	89
PAF25-05050016	93605-14143	89
PAF25-05050018	65W-11537-01	89
PAF25-05050019	90201-10M06	89
PAF25-05050021	90109-08M63	89
PAF25-05050021	93102-37M40	89
PAF25-05050100	65W-11111-02-94	87
PAF25-05050104	62Y-11133-00	87
PAF25-05050200	65W-12171-10	89
PAF25-05050300		89
PAF25-05050301	65W-12151-00	89
PAF25-05050400	65W-13300-00	89
PAF25-05070000	65W-14901-12	155
PAF25-05070019	6H4-14548-00	161
PAF25-05080004	65W-14457-10	153
PAF25-05110000	65W-85580-00	68
PAF25-05120000	65W-85570-01	68
PAF25-05130000	62Y-24410-04	162
PAF25-05130005	62Y-24471-00	163
PAF25-05140000	65W-85510-10	66
PAF4-00000001	90387-06806	171
PAF4-00000001	90387-06M14	183
PAF4-00000006	67D-45113-A0	77, 144, 146
PAF4-02040001	68D-G4360-10	171
PAF4-02040001S	68D-G4360-00	171
PAF4-02040002	68D-G4365-00	169, 171
PAF4-03000001	68D-G5300-11-4D	171
PAF4-03000002	6E0-45317-09	171
PAF4-03000003	6E0-45316-09	171
PAF4-03000004	6E0-45511-01/11	171
PAF4-03000005	90467-08M01	171, 183
PAF4-03000006	90201-11M49	171, 183
PAF4-03000007	6E0-45551-00	171
PAF4-03000008	67D-45635-00	171
PAF4-03000011	68D-G5315-A0 6E0-45315-A0 68D-G5321-00 6E0-45321-01-5B	171, 183
PAF4-03000012	93604-18080	169, 171, 183
PAF4-03000014	6L2-44147-00	171
PAF4-03000015	6E0-44323-00	171, 183, 244
PAF4-03000016	93604-09066	171, 244
PAF4-03000017	6E0-44322-02	171
PAF4-03000018	68D-G4315-A0	171
PAF4-03000018	6E0-44315-A0	183, 244
PAF4-03000019	68D-G4311-01	171, 246
PAF4-03000019	6E0-44311-00	183, 244
PAF4-03000020	68D-G4328-00	171
PAF4-03000020	6E0-44328-00	183
PAF4-03000021	67D-44366-00	171
PAF4-03000021	6E0-44366-00	183, 244
PAF4-03000021	6R0-44366-00	169
PAF4-03000022	68D-G5251-00	169, 171
PAF4-03000023	6E0-45316-09	185
PAF4-03000023	90340-08002	169, 171, 173, 183, 191
PAF4-03000023	90340-08M04	175, 181, 193
PAF4-03000024	90430-08020	169, 171
PAF4-03000024	93210-06ME6	175
PAF4-03000025	68D-G5978-00	169
PAF4-03000025	68D-G5987-00	171
PAF4-03000025	6L5-45987-01	183
PAF4-03000026	90201-08M54	169, 171, 183
PAF4-03000027	93101-10M14	171
PAF4-03010000	67D-45560-00	171, 227
PAF4-03020000	68D-G4150-10	171
PAF4-03020000S	68D-G4150-00	171
PAF4-03030002	67D-45631-01	171
PAF4-03030003	90501-10064	169
PAF4-03040000	67D-45570-00	171, 227
PAF4-03050001	68D-G5361-00-4D	171
PAF4-03050001	6E0-45361-01-4D	183, 227
PAF4-03050002	93101-13M12	169, 171

YAMAHA

REF.	R.O./OEM	PAG.
PAF4-03060000	6E0-44352-00	171
PAF4-03070000	6E0-45943-01-EL	171
PAF4-03080000	6L5-45616-00	169, 171
PAF4-0310000LL	68D-65300-11-4D	165
PAF4-0310000S	68D-65300-03-4D	165
PAF4-04000001	90105-08M76	73
PAF4-04000001	97095-08020-00	78
PAF4-04000002	68D-11351-A0	78, 151
PAF4-04000003	99510-10114	77, 78
PAF4-04000004	90201-266P2	77
PAF4-04000006	90201-08818	78
PAF4-04000006	90201-08818-00	73
PAF4-04000007	68D-E5362-00	78
PAF4-04000008	93210-24M79	78
PAF4-04000009	68D-E1169-A0	78
PAF4-04000010	68D-E1168-00	78
PAF4-04000011	62Y-12414-00	90
PAF4-04000011	68D-E2414-A0	75, 77, 164
PAF4-04000012	90445-09807	77
PAF4-04000014	67D-11181-A0	77, 139, 146
PAF4-04000015	67D-12154-00	77
PAF4-04000017	68D-E1193-A0	77
PAF4-04000018	67D-11191-00	77
PAF4-04000019	90280-04M06	89
PAF4-04000030	90467-09M09	87
PAF4-04000033	90105-08046-00	77
PAF4-04000034	90105-08M36	75
PAF4-04000034	90105-08M36-00	77
PAF15-07000031	66M-12411-01	81
PAF4-04000038	67D-85640-00	68
PAF4-04010002	650-24378-00	75, 77, 78
PAF4-04010003	68D-E5346-00	78
PAF4-04010004	93102-25090	78
PAF4-04010100	68D-E1311-02-15	78
PAF4-04020001	68D-E1631-00-96	77, 130
PAF4-04020005	68D-E1633-00	77, 124
PAF4-04020006	93450-14088	77, 124
PAF4-04020100	67D-11650-00	77
PAF4-04020103		77
PAF4-04020200	68D-E1631-00-96	77, 124
PAF4-04030000	67D-11400-00	77, 135
PAF4-04040000	68D-E2170-00	77
PAF4-04050001	68D-E5111-00-1S	78
PAF4-04050100	68D-E3102-00	78
PAF4-04060000		78
PAF4-04060001	68D-E5396-00-5B	78
PAF4-04060002	93210-35537	73, 78
PAF4-04060003	93102-20108	78
PAF4-04060004	93102-10004	78
PAF4-04070001		77
PAF4-04070003	68D-E1325-00	77
PAF4-04070100	68D-E2413-001S	77
PAF4-04080002		77
PAF4-04080005	67D-12111-00	77
PAF4-04080006	67D-12121-00	77
PAF4-04080007	68T-12116-00	77
PAF4-04080008	68D-E2113-00	75, 77
PAF4-04080009	68D-E2155-00	77
PAF4-04080010	7NJ-12117-00	75, 77
PAF4-04080011	7NJ-12118-00	77
PAF4-04080101	68D-E1111-10-1S	77
PAF4-04090000	67D-24410-03	162
PAF4-04120005	6L5-24251-00	51, 52
PAF4-04140000	67D-14301-03	155
PAF4-08000110	67D-42797-10	75
PAF6-00000001	6Bx-45113-00	144
PAF6-03000001		244
PAF6-03000002		244
PAGB/T97-1-14	92990-14200	195, 197
PAGB/T-896-86	93430-06005	181
PAGB/T-896-86	99001-06600	169, 171
PAGB/T1099-1979	90280-03M01	83
PAGB/T276-6004-C2	93306-004U0	183
PAGB/T276-94	93306-004U0	183
PAGB/T276-94	93306-205YD	78
PAGB/T3452.1-1992	65W-15663-00	87
PAGB/T3452.1-25.8X2.65	93210-22164	195
PAGB/T3452.1-25.8X2.65	93210-26130	195
PAGB/T3452.1-92	93210-26130	174
PAGB/T5287-85	90201-06M94	83
PAGB/T5782-2000		89, 171, 174, 175
PAGB/T5782-2000S		171
PAGB/T5783-2000	90465-08M99 97013-06045	73
PAGB/T5783-2000	68D-E53	

YAMAHA

REF.	R.O./OEM	PAG
PAGB/T5783-2000	93102-25090 93306-205YD	81
PAGB/T5783-2000	95895-06016-00	171
PAGB/T5783-2000	95895-06020	169
PAGB/T5783-2000	97013-06016	83
PAGB/T5783-2000	97095-06030	169
PAGB/T5783-2000	97095-06035	83
PAGB/T5783-2000	97575-08550-00	81
PAGB/T5783-2000		81, 174, 175
PAGB/T5783-2000	92995-06600 97095-06040	169
PAGB/T5783-M6X20	97095-06020	173
PAGB/T5783-M8X25	97080-08025	173
PAGB/T5785-2000	90119-06MA3	89
PAGB/T79.1-85	92995-06600	85
PAGB/T820-2000		175
PAGB/T861.1-87	92990-06300	169, 175, 181
PAGB/T889.1-2000		175
PAGB/T896-86	99001-06600	183
PAGB/T91.1-6X12	91490-25030	183
PAGB/T91.1-86	91490-25030 91490-30022	169, 175
PAGB/T97.1-6	92995-06600	173, 195
PAGB/T97.1-85	66M-11327-00-94 66M-11328-00	89
PAGB/T97.1-85	66M-11356-00	87
PAGB/T97.1-85	92955-08600-00	78
PAGB/T97.1-85	92990-14200	175
PAGB/T97.1-85	92995-06600	83, 91, 93, 101, 103, 106, 117, 181, 191
PAGB/T97.1-85	92995-10600 93102-20108 97595-06520 97095-06016	81, 87, 169, 174, 175
PAHI-CAP 32004JR KOYO	93332-000V5	175
PAHT-2.5X60	90465-11M10	87
PAHT-2.5X60	90467-06016	104
PAJA50F404-96	93210-44398	191
PAJA80 F404 31-025	93210-24M79	85
PAJASO F404 19-033	93210-33M85	169
PAJASO F404 31-025	93210-24M79	73, 79, 90
PAJASO F404-19-033		244
PAJISB 2401 P48	93210-48214	169, 171
PAKOYO 6006C3	93306-00612	175
PANTN 16003 EY	93316-003Y0	169
PANTN 4T-30205 HN	93332-00005	175
PANTN HK2016HU	93315-22004	175
PAPS-2700.04.03	51Y-12119-00	89
PAPS2700.0302	J9A-12153-00	77
PAPS2700.04.03	51Y-12119-00	77, 85
PAT15-04000010	69M-12411-01	75, 77
PAT15-04000010	6G8-12411-00	79
PAT15-04010202	6H1-14485-00	73
PH130-0005	6CJ-81800-00	63
PH130-0005	6E5-81800-12/11	63
PH130-0007	697-81800-10/12/13	63
PH130-0007	99999-03249-00	63
PH130-0029	65W-81800-01/02/03	64
PH130-0029	67C-81800-02	64
PH130-0034	66M-81800-01/02	63
PH130-0049	689-81800-13/12/11	63
PH130-0050	6H3-81800-11/10	63
PH130-0051	6N7-81800-00/01/10	63
PH130-0051	99999-03938-00	63
PH130-0055	67F-81800-00/01/02/03	64
PH130-0056	68F-81800-03/02/01/00	63
PH130-0057	68V-81800-02/01/00	64
PH130-0058	688-81800-12	63
PH130-0059	69L-81800-00 69W-81800-00	63
PH130-0061	682-81800-11/12	63
PH130-0061	6L2-81800-11/20	63
PH130-0062	6J4-81800-01/00	63
PH130-0063	6H4-81800-12/11/10	63
PH130-0073	63P-81800-00 6BR-81800-00	64
PH130-0074	69J-81800-00	64
PH130-0076	60V-81800-00 60X-81800-00	64
PH130-0084	66T-81800-03/02	63
PH200-T029	6H1-43880-02	65
PH200-T030	6G5-43880-01/00	65
PH200-T035	62X-43880-09	65
PH200-T036	62Y-43880-02 69W-43880-01	65
PH200-T037	688-43880-11	65
PH200-T037	6E5-43880-01/02 6H1-43880-00	65
PH200-T044	67F-43880-00	65
PH200-T045	6C5-43880-01/00	65

YAMAHA

REF.	R.O./OEM	PAG
PH200-T048	6H5-43880-02/09	65
PH200-T050	61A-43880-01/02 69W-81800-00	65
PH200-T057	64E-43880-00/1/03/04	65
PH200-T069	69J-43880-00/01	65
PH200-WH01		65
PH375-0034	65W-81941-00	64
PH375-0041	6G1-81941-10	64
PH375-0047	6E5-81950-01	64
PH375-0048	6E5-8195A-01	64
POWER HEAD 20-25		87
POWERHEAD 2.6	69M-WE0090-01-1S	75
POWERHEAD4-5HP	680-WE090-11-15	77
POWERHEAD9.9-15	66M-W009B-15-1S	85
RAC320R-RAC-01		50
RAC320R-RAC-03		50
RAC490R-RAC-01		50
RACPF5510		50
RACS3213		50
RACS3227	YMM-2E227-00/01	50
REC 6E5-44311-00	6E5-44311-00	213
REC 90340-08002	90340-08002	207
REC-677-11442-02		134
REC-688-W0001-22	688-W0001-20-00	208, 210
REC-6E5-45567-01	6E5-45567-01-60	215
REC24942		50
REC25000		49
REC26-08370	647-44366-00	191
REC27-90209-27M07		137
REC35-802893Q		50
REC35-802893Q01		50
REC35-80365M	646-24251-02	51, 52, 53
REC35-822626A15	69J-13440-00	53
REC35-822626Q15	69J-13440-00	53
REC3FV-13440-00	3FV-13440-00	53
REC24950		50
REC24952		52
REC40135		51
REC40145	65W-24251-00	51, 52
REC40155		51
REC40165	67F-24251-02	51, 52
REC405-A20	6E5-45300-16-8D 6E5-45300-17-8D 6E5-45300-26-8D 6E5-45300-27-8D	166, 215 166, 215
REC405-A25		166, 215
REC40970		70
REC40990		70
REC416-A20	64D-45300-01-8D	166, 177, 217
REC416-A25	64D-45300-21-8D	166, 177, 217
REC416-B20	64K-45300-02-NA	167
REC416-B20F	63P-45300-00-8D	167
REC416-B25F	REC416-B25F	167
REC418-A25	64P-45300-10-8D	166
REC418-B25F	64P-45300-10-8D	167
REC421-A20	66K-45300-12-NA	166
REC421-A25	60V-45300-20-8D	166
REC421-B25F	64C-45300-21-8D	167
REC428-A25	60W-45300-20-8D	166
REC428-B25F	69K-45300-21-8D	167
REC50M-14355-00	50M-14355-00	160
REC5GH-13440-00	5GH-13440-00	53, 81, 87, 93
REC60V-11181-00	60V-11181-00	139, 145
REC60V-12411-00	60V-12411-00	164
REC60V-13621-A0	60V-13621-A0	150
REC60V-13645-00	60V-13645-00	150
REC60V-13907-00	60V-13907-00	162
REC60V-24251-01	60V-24251-01	52
REC60V-44150-00	60V-44150-00	218
REC60V-45113-00		145
REC60V-45113-02	60V-45113-02	144, 145
REC60V-45332-00-94	60V-45332-00-94	219
REC60V-45611-00	60V-45611-00	219
REC60X-44315-A0	60X-44315-A0	178
REC60X-W0078-00		246
REC61A-11181-A0		145
REC61A-11193-A2	61A-11193-A2	151
REC61A-11381-A0	61A-11381-A0	150
REC61A-12414-A0	61A-12414-A0	104, 164
REC61A-12414-A0	6J8-12414-A0	111
REC61A-12414-A0	92990-06600	105
REC61A-13411-00	61A-13411-00	53
REC61A-13621-A0	61A-13621-A0	150
REC61A-13645-00	61A-13645-00	150
REC61A-13646-00	61A-13646-00	150
REC61A-24563-00	61A-24563-00	51, 52
REC61A-41134-A0	6D0-41134-00	153
REC61A-44311-00	61A-44311-00	219

YAMAHA

REF.	R.O./OEM	PAG
REC61A-44311-00	61A-44311-01	178, 215, 217, 220
REC61A-44311-00		244, 245, 246
REC61A-44322-02	61A-44322-02	178, 215, 217, 219, 220, 245, 246
REC61A-45113-A0	61A-45113-A0	144, 145
REC61A-45214-10	61A-45214-10	219
REC61A-45215-10	61A-45215-10	219
REC61A-45321-01	61A-45321-01	218
REC61A-45331-00-94	61A-45331-00-94	218
REC61A-45371-00	61A-45371-00	219
REC61A-45376-00-94	61A-45376-00-94	219
REC61A-45501-20	61A-45501-20	219
REC61A-45501-30	61A-45501-30	219
REC61A-45527-00	61A-45527-00	215, 217, 219
REC61A-45538-00	61A-45538-00	217, 219
REC61A-45587-00/60-0	61A-45587-00/60	218
REC61A-45631-03	61A-45631-03	219
REC61A-45632-00	61A-45632-00	219
REC61A-45633-00	61A-45633-00	219, 234
REC61A-45634-01	61A-45634-01	219
REC61A-45635-00	61A-45635-00	219
REC61A-45641-02	61A-45641-02	219
REC61A-81941-00	61A-81941-00	64
REC61A-81941-00	6E5-81941-11	64
REC61A-W0001-01	61A-W0001-A1	142, 145
REC61A-W0078-A1	61A-W0078-01	245, 246, 251
REC61A-W0078-A2		244
REC61A-W0093-01	61A-W0093-01	159
REC61B-82510-02	61B-82510-01	70
REC61N-11181-00	61N-11181-A1/A2	103, 138, 145
REC61N-11515-00	61N-11515-00	103
REC61N-11603-00	61N-11603-00	125, 128
REC61N-11604-00	61N-11604-00	103, 125
REC61N-11605-00	61N-11605-00	103, 125
REC61N-11631-00K	61N-11631-00-95	103, 125, 128
REC61N-11635-00K	61N-11635-00	103, 125
REC61N-11636-00K	61N-11636-00	103, 125
REC61N-14198-00	61N-14198-00	149
REC61N-14392-00	62Y-14392-00	159
REC61N-24563-10	61N-24563-10	52
REC61N-26311-00	61N-26311-00	161
REC61N-44146-00	61N-44146-00	201
REC61N-44322-00	61N-44322-01	195, 244, 245
REC61N-44323-00	61N-44323-00	195, 244, 245
REC61N-45510-00	61N-45510-00	195
REC61N-45510-00	CORTO 16.6"	230
REC61N-45510-10	61N-45510-10	195
REC61N-45510-10	LARGO 21.6"	229, 230
REC61N-45551-00	61N-45551-00	195, 229, 230
REC61N-45560-00		229, 230
REC61N-45560-10	61N-45560-10	195
REC61N-45570-00	61N-45570-00	195, 229, 230
REC61N-85540-00	61N-85540-00	66
REC61N-W0001-02		145
REC61N-W0001-E1	61N-W0001-E1	194, 224
REC61N-W0078-11		244, 245
REC61N-W0093-00	61N-W0093-00	158
REC61T-11193-A0	61T-11193-A1	103, 151
REC61T-45113-A0	61T-45113-A0	143, 145
REC61T-W0001-02	61T-W0001-02	102, 140, 145
REC61V-11601-00		129
REC624-42542-00	90387-06119	160
REC626-14390-90	626-14390-90	159
REC626-45316-09	626-45316-09	173, 189
REC62Y-12414-00	62Y-12414-00	81
REC62Y-15312-00	62Y-15312-00	152
REC62Y-41133-00	62Y-41133-00	154
REC62Y-45127-00	62Y-45127-00	153
REC62Y-W0001-20	62Y-W0001-20	225
REC62Y-W0001-21	62Y-W0001-21	225
REC62Y-W0001-22	62Y-W0001-22	225
REC633-11634-00	633-11634-00	125
REC634-11633-00	634-11633-00	101, 125, 135, 136
REC63D-11181-A1	63D-11181-A2	111, 139, 145
REC63D-11193-A0	63D-11193-A0	111
REC63D-11603-00	63D-11603-00	113, 125
REC63D-11604-00	63D-11604-00	113, 125
REC63D-11605-00	63D-11605-00	113, 125
REC63D-44311-00		244
REC63D-44311-01	63D-44311-00	245, 247
REC63D-44316-00	63D-44316-00	201
REC63D-44322-00	63D-44322-00	201, 244, 245
REC63D-44341-00	63D-44341-00	201
REC63D-45114-A0	63D-45114-A0	152
REC63D-45123-00	63D-45123-00	154

YAMAHA

REF.	R.O./OEM	PAG
REC63D-45361-02-4D	63D-45361-02-4D	201, 230, 231
REC63D-W0001-00	63D-W0001-00	110, 141, 145
REC63D-W0001-20	63D-W0001-20	225
REC63P-11181-00	63P-11181-00	140, 146
REC63P-11351-01	63P-11351-01	145, 146
REC63P-13915-00	63P-13915-00	52
REC63P-15312-00	63P-15312-00	153
REC63P-45501-00	63P-45501-00	177
REC63P-45501-10	63P-45501-10	177
REC63V-11181-A1	63V-11181-A1	100, 138, 145
REC63V-11181-A2	63V-11181-A2	
REC63V-11412-00	63V-11412-00	101, 134
REC63V-11422-00	63V-11422-00	101, 134
REC63V-11432-00	63V-11432-00	101, 134
REC63V-11442-00	63V-11442-00	101, 134
REC63V-11445-00	63V-11445-00	101
REC63V-11515-02	63V-11515-02	101
REC63V-14126-00	63V-14126-00	156
REC63V-14984-00	63V-14984-00	156
REC63V-14985-00	63V-14985-00	160
REC63V-24411-00	63V-24411-00	162
REC63V-41112-A0	63V-41112-A0	100, 147
REC63V-41133-A1	63V-41133-A1	153
REC63V-44301-00	63V-44301-00	173, 191
REC63V-44301-00	63V-44301-00-00	246
REC63V-44322-00	63V-44322-00	173, 191, 244
REC63V-44323-00	63V-44323-00	173, 191, 244
REC63V-44352-01	63V-44352-01	173, 191, 221
REC63V-44352-01	CEF500363	221, 244
REC63V-44514-01-CA	63V-44514-01-CA	222
REC63V-45113-A1	63V-45113-A1	143, 145
REC63V-45315-A0	63V-45315-A0	173, 191
REC63V-45331-00-5B	63V-45331-00-5B	191
REC63V-45501-01	63V-45501-01	227, 228, 229
REC63V-45501-10	63V-45501-10	227, 228, 229
REC63V-45501-01	CORTO 17.3"	229
REC63V-45501-11	LARGO 22.3"	229
REC63V-45510-01	63V-45510-01	191
REC63V-45510-11	63V-45510-11	191
REC63V-45551-00	63V-45551-00	173, 191, 227, 228, 229
REC63V-85520-00	63V-85520-00	67
REC63V-85533-00	63V-85533-00	69
REC63V-85540-00-01	63V-85540-00/01	66
REC63V-85570-00	63V-85570-00	68
REC63V-85580-01	63V-85580-01	69
REC63V-W0001-00	63V-W0001-01	140
REC63V-W0001-02	63V-W0001-02	145
REC63V-W0001-21	63V-W0001-21	224
REC63V-W0001-22	63V-W0001-22	190, 224
REC63V-W0078-01	63V-W0078-00	172, 190, 244, 249
REC63V-W0093-00	63V-W0093-00	157
REC646-11651-02	646-11651-02	135
REC646-11681-00	646-11681-00	135
REC646-14623-A1	646-14623-A1	151
REC646-44322-00	646-44322-00	181
REC646-44323-00	646-44323-00	181
REC646-44323-00	646-44323-00	244
REC646-44352-01	646-44352-01	181, 221, 244
REC646-44352-01	CEF500324	181, 227
REC646-45551-00	646-45551-00	181, 227
REC646-45560-00	646-45560-00	181, 227
REC647-11610-00	647-11610-00	125, 127
REC647-14323-00	647-14323-00	160
REC647-14385-00	647-14385-00	160
REC647-14386-10	647-14386-10	161
REC647-44366-00	647-44366-00	185, 187, 244
REC647-45316-09	647-45316-09	187
REC647-45551-00	647-45551-00	187, 227
REC647-45560-00	647-45560-00	187, 227
REC647-45570-01	647-45570-01	187, 227
REC648-11633-00	648-11633-00	113, 125, 126, 136, 137
REC648-11651-00	648-11651-00	136, 137
REC648-11681-00	648-11681-00	136
REC648-13621-A1	648-13621-A1	149
REC648-13645-A0	648-13645-A0	148
REC648-14198-A0	648-14198-A0	149
REC648-14384-01-00	648-14384-01	156
REC648-14385-00	648-14385-00	160
REC648-24411-00	648-24411-00	162
REC648-24434-01	648-24434-01	163
REC648-24435-02	648-24435-02	163
REC648-44146-00	648-44146-00	221

YAMAHA

REF.	R.O./OEM	PAG
REC648-45633-00	648-45633-00	173, 189, 193, 195, 197, 227, 228, 229, 230
REC648-45635-00	648-45635-00	193, 195
REC64D-11603-01	64D-11603-01	121, 123, 127
REC64D-11603-02	64D-11603-02	129, 130
REC64D-11603-02	64D-11603-02	127
REC64D-11604-01	64D-11604-01	121, 123, 127
REC64D-11603-02	64D-11603-02	127
REC64D-11605-01	64D-11605-01	127
REC64D-11605-01	64D-11605-01/02	121, 123
REC64D-11631-00K	64D-11631-02-90	123, 127, 129, 130
REC64D-11631-00K (STB)		129, 130
REC64D-11642-00K	64D-11642-02-90	123, 127, 129, 130
REC64D-11642-00K (PORT)		129, 130
REC64D-11642-00K (STB)		129
REC64D-14384-1	64D-14384-01	157
REC64D-14394-00	64D-14394-00	160
REC64D-W0093-00	64D-W0093-00	159
REC64E-13645-A0	64E-13645-A0	150
REC64J-W0001-20	64J-W0001-20	225
REC64J-W0001-21	64J-W0001-21	225
REC64J-W0001-22	64J-W0001-22	225
REC650-11370-00	650-11370-00/01	94, 104
REC650-11370-01	650-11370-01	98, 108, 111, 115, 117, 118
REC650-11651-00	650-11651-00	101, 135, 136
REC650-24431-A0	650-24431-A0	163
REC650-44147-00	650-44147-00	203, 221
REC650-45635-00	650-45635-00	173, 189, 191
REC655-12414-A1	655-12414-A1	103, 164
REC655-44323-00		246
REC65L-13645-00	65L-13645-00	150
REC65L-13646-00	65L-13646-00	150
REC65L-13915-00	65L-13915-00	52
REC65L-24563-00	65L-24563-00	51, 52
REC65N-W0001-20	65N-W0001-20	226
REC65W-82575-01	65W-82575-01	69
REC65W-W0001-00	65W-W0001-00	143
REC65W-W0001-00	65W-W0001-02	86, 146
REC65W-W0001-20	65W-W0001-20	224
REC662-44352-01	662-44352-01	187, 221
REC662-44352-01	CEF500321	221
REC663-11193-00	663-11193-00	115, 151
REC663-11411-00	663-11411-01	115, 135
REC663-11411-01		135
REC663-11561-00	663-11561-00	115
REC663-11633-00	663-11633-00	115, 119, 126, 136, 137
REC663-11634-00	663-11634-00	107, 109, 125, 126
REC663-12414-A0	663-12414-A0	115, 165
REC663-13621-00	663-13621-A0	149
REC663-14198-00	663-14198-A0	149
REC663-14483-A0	663-14483-A0	149
REC663-14548-00	663-14548-00	161
REC663-14923-00	663-14923-00	160
REC663-24411-00	663-24411-00	163
REC663-41114-00	663-41114-A0	115, 148
REC663-42138-00	663-42138-00	161
REC663-43118-01-4D	663-43118-01-4D	221
REC663-44144-01	663-44144-01	205, 207
REC663-44151-00	663-44151-00	205, 207
REC663-44311-00	663-44311-00	244, 245
REC663-44311-02	663-44311-02	199, 205
REC663-44311-02-00	663-44311-02-00	246
REC663-44311-01	663-44311-01	205
REC663-44315-00	663-44315-A0	199, 205
REC663-44315-A0	663-44315-A0	197, 244, 245
REC663-44316-A0	663-44316-A0	197, 199, 205
REC663-44322-00	663-44322-00	197, 199, 205, 244, 245
REC663-44323-00	663-44323-00	197, 199, 205, 248, 244, 245
REC663-44324-00	663-44324-A0	197, 199, 205
REC663-44366-00	663-44366-00	197, 199, 201, 203, 205, 207, 209, 211, 219, 244, 245
REC663-44551-02-8D	663-44551-02-8D	223
REC663-45123-00	663-45123-00	154
REC663-45331-00-94	663-45331-00-94	205, 231
REC663-45376-00	663-45376-0094	213
REC663-45510-01	663-45510-01	205
REC663-45510-01 CORTO		231
REC663-45552-00	663-45552-00	199, 205
REC663-45631-00	663-45631-01	199, 203, 205, 230, 231, 232
REC663-45633-00	663-45633-00	199, 201, 203, 205, 230, 231
REC663-45634-00	663-45634-00	199, 203, 205
REC663-45987-00	663-45987-02	199, 201, 205

YAMAHA

REF.	R.O./OEM	PAG
REC663-48344-00	663-48344-00	161
REC663-85540-15	663-85540-11/15	67
REC663-85540-15	663-85540-15	67
REC663-W0078-01	663-W0078-01	204, 245
REC664-11325-00	664-11325-00	98
REC664-41114-A0	664-41114-A0	147
REC664-41134-A0	664-41134-A0	154
REC664-44338-00	664-44338-00	173, 244, 245
REC664-45384-00	664-45384-00	193, 197
REC664-45631-00	664-45631-02	195, 229, 230
REC664-45631-01	664-45631-01	193
REC664-45987-00	664-45987-00	193
REC667-11181-00	66T-11181-A2	106
REC667-11681-00		137
REC66K-13907-00	66K-13907-00	162
REC66K-45501-00	66K-45501-00	219
REC66M-11351-10	66M-11351-10	81
REC66M-11356-00	66M-11356-00	85
REC66M-11357-00	66M-11357-00	81
REC66M-41114-01	66M-41114-01	81
REC66M-45371-00	66M-45371-00	173
REC66M-W0001-01	66M-W0001-01	143
REC66M-W0001-01	66M-W0001-01	80, 143, 146
REC66M-W0001-20	66M-W0001-20	172, 223
REC66M-W0093-01	66M-W0093-01	157
REC66N-11603-00	66N-11603-00	83, 124, 130
REC66R-45551-00		227, 228
REC66R-45560-00		227, 228
REC66R-45570-00		227, 228
REC66T-11181-00	66T-11181-A0	139, 145
REC66T-11193-A0	66T-11193-A0/A2	106, 151
REC66T-11412-00	66T-11412-00	107, 134
REC66T-11422-00	66T-11422-00	107, 134
REC66T-11432-00	66T-11432-00	107, 134
REC66T-11442-00	66T-11442-00	107, 134
REC66T-11603-00	66T-11603-00	107, 126, 128
REC66T-11604-00	66T-11604-00	107, 126
REC66T-11605-00	66T-11605-00	107, 126
REC66T-11631-01K	66T-11631-01-91	107
REC66T-11631-01K	66T-11631-01-93	126, 128
REC66T-11635-01K	66T-11635-01	107, 126
REC66T-11636-01K	66T-11636-01	107, 126
REC66T-11681-00	66T-11681-00	107, 136, 137
REC66T-14384-01	66T-14384-01	156
REC66T-14536-01	66T-14536-01	156
REC66T-14992-00	66T-14992-00	160
REC66T-26301-00	66T-26301-00	161
REC66T-41114-A0	66T-41114-A0	106, 147
REC66T-41133-A1	66T-41133-A0	154
REC66T-44311-00	66T-44311-00	201, 244, 246
REC66T-44323-00	66T-44323-00	201, 244, 248
REC66T-44514-00-4D	66T-44514-00-4D	222
REC66T-45113-A0	66T-45113-A0	143, 145
REC66T-45114-A0	66T-45114-A0	152
REC66T-45501-00		231
REC66T-45501-01	66T-45501-01	201
REC66T-45501-11	66T-45501-11	201, 231
REC66T-45551-00	66T-45551-00	201, 230
REC66T-45560-01	66T-45560-01	201, 230, 231
REC66T-45570-00	66T-45571-00	201
REC66T-45571-00		230, 231
REC66T-45611-00	66T-45611-00	201, 230, 231
REC66T-45631-00	66T-45631-00	201, 230, 231
REC66T-45635-00	66T-45635-00	201
REC66T-45997-00	66T-45997-00	201
REC66T-82575-01	66T-82575-01	69
REC66T-85520-00		69
REC66T-85533-00	66T-85533-00	69
REC66T-85540-01	66T-85540-01	67
REC66T-85570-00	66T-85570-00	68
REC66T-85580-00	66T-85580-00	69
REC66T-W0001-01	66T-W0001-01	141, 145
REC66T-W0001-20	66T-W0001-20	200, 22

YAMAHA

REF.	R.O./OEM	PAG
REC676-14984-00-00	676-14984-00	156
REC676-14985-01	676-14985-01	160
REC676-41112-A0	676-41112-A0	147
REC676-41133-A0	676-41133-A0	154
REC676-44311-00	676-44311-00	245, 247
REC676-44315-00	676-44315-A1	203, 245
REC676-44316-A1	676-44316-A1	203
REC676-44322-00		245
REC676-44323-00-40	676-44323-00	248
REC676-44323-00-40	676-44323-40	203, 245
REC676-44324-A0	676-44324-A1	203
REC676-44341-00	676-44341-94	203
REC676-44518-00	676-44518-00	223
REC676-45114-A1	676-45114-A1	152
REC676-45127-00	676-45127-00	154
REC676-45128-00	676-45128-00	154
REC676-45251-00	676-45251-00	106
REC676-45314-00	676-45314-00	203
REC676-4536-01-94	676-45361-01-94	203
REC676-45361-00		231
REC676-45501-10	676-45501-10	203
REC676-45501-10 LARGO		230, 231
REC676-45533-00	676-45533-00	203
REC676-45587-00-70	676-45587-00-70	203
REC676-45587-00-75	676-45587-00-75	203
REC676-45587-00-80	676-45587-00-80	203
REC676-45635-00	676-45635-00	199, 203
REC677-11181-A0	677-11181-A1	98, 138, 145
REC677-11412-02		134
REC677-11422-02		134
REC677-11432-02		134
REC677-11442-02		134
REC677-11631-00K	677-11631-00-97	125, 127
REC677-11635-00K		125
REC677-11651-00		136
REC677-13621-00	677-13621-A1	148
REC677-14198-A1	677-14198-A1	149
REC677-14227-00	677-14227-01	156
REC677-14343-68	677-14343-68	159
REC677-14384-01	677-14384-01	156
REC677-24411-02	677-24411-02	162
REC677-24434-02	677-24434-02	148
REC677-24435-01	677-24435-01	163
REC677-24471-01	677-24471-01	162
REC677-26301-02	677-26301-02	161
REC677-41112-A0	677-41112-A0 / A1	98, 146
REC677-41114-A0	677-41114-A0	147
REC677-41114-A1	677-41114-A1	98
REC677-45113-A0	677-45113-A1	143, 145
REC677-W0093-00	677-W0093-00	157
REC679-14923-00	679-14923-00	160
REC679-44514-00-94	679-44514-00-94	222
REC679-45501-10 LARGO		230
REC679-45560-00		230
REC679-45571-00-00		230
REC679-45611-00	679-45611-01	199, 230, 231
REC679-W0078-A1	679-W0078-00	245, 249
REC67C-11181-01	67C-11181-01	90, 139, 146
REC67C-11351-00	67C-11351-01	90, 144, 146
REC67C-11356-00	67C-11356-00	90
REC67C-11603-00	67C-11603-00	89, 124, 130
REC67C-15312-00	67C-15312-00	152
REC67C-41114-00	67C-41114-00	90, 147
REC67C-41133-00	67C-41133-00	154
REC67C-45113-00	67C-45113-00	152
REC67C-45123-00	67C-45123-00	154
REC67C-45501-00		230, 231
REC67C-45501-10 LARGO 21"		230, 231
REC67C-W0001-01	67C-W0001-01	90, 146
REC67C-W0001-01	67C-W0001-00/01	143
REC67C-W0001-22	67C-W0001-22	224
REC67D-W0093-00	67D-W0093-00	157
REC67F-11181-03	67F-11181-03	91, 140, 146
REC67F-12411-01	67F-12411-01	91, 164
REC67F-14371-01	67F-14371-01	52
REC67F-41134-A0	67F-41134-A0	155
REC67F-41138-00	67F-41138-00	154
REC67F-44311-01	67F-44311-01-00	244, 247
REC67F-44352-00	67F-44352-00	221
REC67F-44352-00	CEF500364	221, 244
REC67F-45113-00	67F-45113-00	152
REC67F-45123-00	67F-45123-00	154
REC67F-45127-00	67F-45127-00	154
REC67F-45501-10 LARGO 21.1"		232
REC67F-45560-00		231, 232

YAMAHA

REF.	R.O./OEM	PAG
REC67F-45570-00		232
REC67F-45611-01		232
REC67F-W0001-20	67F-W0001-20	224, 226
REC67F-W0093-00	67F-W0093-00	158
REC67H-11411-00		135
REC67H-13907-00	67H-13907-00	162
REC67H-8592A-01	67H-8592A-01	70
REC682-11351-A0	682-11351-A0	144
REC682-11412-00		134
REC682-11422-00		134
REC682-11432-00		134
REC682-11442-00		134
REC682-11610-00		127
REC682-11610-01	682-11610-00	125
REC682-11610-01	682-11610-01	101
REC682-11610-11	682-11610-11	101, 125
REC682-11610-21	682-11610-21	101, 125
REC682-11681-00	682-11681-00	101, 135, 136
REC682-12414-00	682-12414-A1	100
REC682-12414-A1	682-12414-A1	164
REC682-13621-00	682-13621-A0	148
REC682-41112-00	682-41112-A1	147
REC682-41114-00	682-41114-A1	147
REC682-41133-A0	682-41133-A0	153
REC682-44147-00	682-44147-00	189, 197
REC682-44300-01	682-44300-01	244, 246
REC682-44315-00	682-44315-00	189, 244
REC682-44322-00	682-44322-00	189, 244
REC682-44323-00	682-44323-00	189, 244
REC682-44351-01		244
REC682-44352-01	682-44352-00	
REC682-44352-01	682-44352-03	189, 221, 244
REC682-44352-01	CEF500320	
REC682-44365-00	682-44365-00	189, 244
REC682-44514-01-94	682-44514-01-94	222
REC682-45113-A0	682-45113-02	152
REC682-45631-00	682-45631-00	173, 189, 191, 227, 228, 229
REC682-W0078-A1		244
REC683-45315-A0	683-45315-00	189
REC683-45361-01-4D	683-45361-00-EJ	189
REC683-45361-01-94	683-45361-02-4D	173, 191
REC683-45361-02-4D		227, 228, 229
REC683-45361-02-94	648-45633-00	191
REC683-45611-00	683-45611-00	173, 189, 191, 227, 228, 229
REC683-W0001-21	683-W0001-21/ C1	188, 224
REC688-11181-A1	688-11181-A1	118
REC688-11181-A1	688-11181-A2	139, 145
REC688-11193-A1	688-11193-A1	118, 151
REC688-11325-00	688-11325-00	111
REC688-11370-00	688-11370-01	111, 117, 119
REC688-11370-01	688-11370-01	118
REC688-11411-00	688-11411-01	119, 135
REC688-11603-A0	688-11603-A0	115, 119, 126, 128, 129
REC688-11604-A0	688-11604-A0	115, 119, 126
REC688-11605-A0	688-11605-A0	115, 119, 126
REC688-11610-02	688-11610-02	126, 128, 129
REC688-11631-02K	688-11631-02-95	126, 128
REC688-11631-03K	688-11631-03-94	115, 119, 126, 128, 129
REC688-11631-81K	688-11631-81-96	126, 129
REC688-11634-00	688-11634-00	103, 115, 119, 125, 126
REC688-11634-00	688-11634-10	117, 125
REC688-11635-03K	688-11635-03	115, 126
REC688-11636-03K	688-11636-03	115, 126
REC688-11650-03	688-11650-03	115, 119, 126
REC688-11651-00		137, 138
REC688-12411-10	688-12411-10/11	118, 164
REC688-12414-00	688-12414-A1	120, 122
REC688-12414-A1	688-12414-A1	118, 165
REC688-13621-A1	688-13621-A1	150
REC688-14198-A1	688-14198-A2	150
REC688-14416-01	688-14416-01	149
REC688-14483-A0	688-14483-A0	149
REC688-14548-00	688-14548-00	161
REC688-14947-00	688-14947-00	159
REC688-41112-A0	688-41112-A0	118, 148
REC688-41114-A0	688-41114-A0	118, 148
REC688-41134-00	688-41134-A0	154
REC688-41217-00	688-41217-00	156
REC688-44120-12	688-44120-11/12	222
REC688-44120-22	688-44120-22	222
REC688-44311-01	688-44311-01	207, 211, 247, 245
REC688-44311-01	688-44311-01-00	209
REC688-44315-00	688-44315-A0	207, 211, 244, 245

YAMAHA

REF.	R.O./OEM	PAG
REC688-44315-00	688-44315-A0-00	209
REC688-44316-00	688-44316-A0	207, 211
REC688-44316-00	688-44316-A0-00	209
REC688-44322-00	688-44322-00	207, 211, 245
REC688-44322-00	688-44323-00-00	209
REC688-44323-00	688-44323-00-00	207, 211
REC688-44323-00	688-44323-00-00	245, 248
REC688-44323-00-00	688-44323-00-00	209
REC688-44324-00	688-44324-A0	207
REC688-44324-00	688-44324-A0-00	209
REC688-44324-A0	688-44324-A0	211
REC688-44341-01	688-44341-01-94	207, 209, 211
REC688-44352-03	688-44352-03	
REC688-44352-03-00	CEF500323	207, 211, 221, 245
REC688-44352-03-00	688-44352-03-00	209
REC688-44514-00	688-44514-00	222
REC688-44555-00	688-44555-00	222
REC688-45113-A0	688-45113-A0	144, 145
REC688-45114-A1	688-45114-A1	152
REC688-45123-00	688-45123-00	154
REC688-45331-00-94	688-45331-00-94	207, 209, 211, 229, 231, 232
REC688-45341-00	688-45341-00	177, 199, 213, 215
REC688-45341-00	688-45341-00-00	209
REC688-45341-00	688-45341-10	195, 201, 203, 205, 207, 217
REC688-45375-00	688-45375-00	213
REC688-45383-01	688-45383-02	207, 209, 211, 213, 215
REC688-45384-00	688-45384-00	207, 211, 213, 215
REC688-45384-00	688-45384-00-00	209
REC688-45501-10 CORTO		232
REC688-45501-11	688-45501-11	207
REC688-45501-11 LARGO 20.3"		232
REC688-45551-00	688-45551-01	207, 209, 211, 232
REC688-45551-00	688-45551-01-00	207, 211, 232
REC688-45560-00	688-45560-00-00	209
REC688-45570-00	688-45571-01	207
REC688-45571-00		232
REC688-45571-00-00		232
REC688-45576-00	688-45576-00-00	209
REC688-45611-00	688-45611-00	207, 232
REC688-45631-01	688-45631-01	207, 231, 232
REC688-45633-00	688-45633-00	207, 211
REC688-45633-00	688-45633-00-00	209, 231, 232
REC688-45634-00	688-45634-00	207
REC688-45635-00	688-45635-00	205, 207
REC688-45987-00	688-45987-01	207, 211
REC688-45987-00	688-45987-01-00	209
REC688-45997-00	688-45997-00	219
REC688-45997-00	688-45997-01	177, 211, 213, 215, 217
REC688-81950-10	688-81950-10	64
REC688-82575-01	688-82575-01	69
REC688-85510-10	688-85510-11/10	66
REC688-85540-16	688-85540-16	67
REC688-W0001-02	688-W0001-02	118, 145
REC688-W0001-20	688-W0001-20	226
REC688-W0001-22	688-W0001-22	206, 226
REC688-W0001-A0	688-W0001-A0	141
REC689-11181-00	689-11181-A2	138
REC689-11181-02		145
REC689-11610-00	689-11610-01	125, 127, 128
REC689-11631-00K	689-11631-00-95	125, 128
REC689-11633-00	689-11633-00	103, 125, 136
REC689-11651-00	689-11651-00	103, 136, 137
REC689-11681-00	689-11681-01	103, 136, 137
REC689-15755-00	689-15755-00	221
REC689-41112-A0	689-41112-A0	147
REC689-41114-A0	689-41114-A0	147
REC689-44323-00	689-44323-02	193
REC689-44323-00	689-44323-03	193, 244, 245
REC689-44352-02	689-44352-02	193, 221
REC689-44352-02	CEF500326	221
REC689-44352-02		244, 245
REC689-45113-A1	689-45113-A1	103, 145
REC689-45501-10	689-45501-10	193, 230
REC689		

YAMAHA

REF.	R.O./OEM	PAG
REC689-W0001-C2	689-W0001-C2	224
REC689-W0093-02	689-W0093-02	157
REC689-W4432-01	689-W4432-02	193, 244, 245
REC689-13915-00	689-13915-00	52
REC689-E1603-00	689-E1603-00	77, 124, 130
REC68F-11181-00	68F-11181-00	139, 145
REC68F-11193-02	68F-11193-02	151
REC68F-11381-00	68F-11381-00	150
REC68F-13440-00	68F-13440-00	53
REC68F-13907-01	68F-13907-01	162
REC68F-13915-00	68F-13915-00	52
REC68F-24563-10	68F-24563-10	51
REC68F-41114-00	68F-41114-00	148
REC68F-45113-00	68F-45113-00	145
REC68F-45113-01	68F-45113-01	144
REC68F-8592A-00	68F-8592A-00	70
REC68F-W0001-01	68F-W0001-01	142, 145
REC68T-13475-00	68T-13475-00	152
REC68T-24251-00	68T-24251-00	51, 52
REC68T-44323-00	68T-44323-00	244, 247
REC68T-44352-00	68T-44352-00 CEF500368	221, 244
REC68T-44366-00		244
REC68T-45501-00		231
REC68T-45501-10		231
REC68T-W0001-20	68T-W0001-20	223
REC68T-W0078-00		244
REC68V-24563-00	68V-24563-00	52
REC68V-11351-00	68V-11351-00	93, 145, 146
REC68V-13907-00	68V-13907-03	162
REC68V-13915-00	68V-13915-00	52
REC68V-15312-00	68V-15312-00	152
REC68V-24563-00	68V-24563-00	52
REC68V-44323-00	68V-44323-00	244, 248
REC68V-45123-00	68V-45123-00	154
REC68V-W0001-20	68V-W0001-20	226
REC692-14923-00	692-14923-00	160
REC692-24410-00	692-24410-00/05/03/04	162
REC692-24411-00	692-24411-00	162
REC692-41256-00	692-41256-00	156
REC692-44120-22	692-44120-22/22	222
REC692-W0078-02	692-W0078-02	206, 245
REC695-11181-00	695-11181-A1	138, 145
REC695-11442-00		134
REC695-85540-11	695-85540-11/12	66
REC695-W0001-02		145
REC695-W0001-A2	695-W0001-01	141
REC696-14590-01	696-14590-01	159
REC696-45113-00	696-45113-A0	144, 145
REC696-85540-12	696-85540-12/11/10	67
REC696-W0093-02	696-W0093-02	158
REC697-11181-A0	697-11181-A2	115
REC697-11181-A1	697-11181-A2	139, 145
REC697-45114-00	697-45114-A0	145, 152
REC697-45384-00	697-45384-00	199, 205
REC697-45551-00	697-45551-00	205
REC697-45560-00	697-45560-00	205, 231
REC697-45570-00	697-45571-00	205
REC697-45571-00-00		231
REC697-45611-00	697-45611-00	205, 229, 231, 232
REC697-85570-00	697-85570-00	68
REC697-85570-10	697-85570-11	68
REC697-W0001-02	697-W0001-02 / A0	115, 141
REC697-W0001-02	97-W0001-02	114, 145
REC698-W0001-21	698-W0001-21	204, 225
REC69D-45501-10	LARGO 22.5"	232
REC69D-W0001-20	69D-W0001-20	226
REC69G-45510-10		227
REC69G-45510-20		227
REC69G-W0001-20	69G-W0001-20	223
REC69J-11181-03	69J-11181-03 (STB)	140, 146
REC69J-11182-03	69J-11182-03 (PORT)	140, 146
REC69J-11351-11	69J-11351-11	145, 146
REC69J-13645-00	69J-13645-A1	148
REC69J-15451-00	69J-15451-A1	148
REC69J-24501-10	69J-24501-10	51
REC69J-41134-A0	69J-41134-A0	155
REC69J-41135-A0	69J-41135-A0	155
REC69J-41138-00	69J-41138-00	155
REC69J-45123-00	69J-45123-00	155
REC69J-45361-00-8D	69J-45361-00-8D	219
REC69J-45375-00	69J-45375-00	219
REC69J-45611-00		234
REC69J-45631-00		234
REC69J-W0001-20-00	69J-W0001-20	226

YAMAHA

REF.	R.O./OEM	PAG
REC69L-11631-00K (STB)		130
REC69L-11642-00K (PORT)		130
REC69M-E1603-01	69M-E1603-01	75, 124, 130
REC69W-82575-00	69W-82575-00	69
REC69W-W0001-20	69W-W0001-20	226
REC6A0-14325-00	6A0-14325-00	160
REC6A0-82550-01	6A0-82550-01	69
REC6A0-W0001-21	6A0-W0001-21	225
REC6A1-44325-00	6A1-44325-00P	181
REC6A1-W0001-22	6A1-W0001-22	223
REC6A1-W0001-23	6A1-W0001-23	180, 223
REC6A1-W0078-01	6A1-W0078-01	180, 244
REC6A1-W0093-01	6A1-W0093-01	157
REC6AG-11181-00	6AG-11181-00	139, 146
REC6AH-11351-00	6AH-11351-00/10	144, 146
REC6AH-13329-00	6AH-13329-00	152
REC6AH-15312-00	6AH-15312-00	152
REC6AH-81800-00	6AH-81800-00	63
REC6AW-11181-00	6AW-11181-00 (PORT)	140, 146
REC6AW-11182-00	6AW-11182-00 (STB)	140, 146
REC6AW-11351-00	6AW-11351-00	145, 146
REC6AW-14613-00	6AW-14613-00	153
REC6AW-14623-00	6AW-14623-00	153
REC6AW-15312-00	6AW-15312-00	153
REC6AW-15451-00	6AW-15451-00	153
REC6AW-41134-01	6AW-41134-00	155
REC6AW-44312-00	6AW-44312-00	179
REC6AW-44322-00	6AW-44322-00	179
REC6AW-44365-00	6AW-44365-00	179
REC6AW-45113-00	6AW-45113-00	153
REC6AW-81800-00	6AW-81800-00	64
REC6B4-26301-00	6B4-26301-00	161
REC6B4-85540-01	6B4-85540-01	67
REC6BG-11181-00	6BG-11181-00	139, 146
REC6BG-13915-00	6BG-13915-00	51
REC6BG-81800-00	6BG-81800-00	64
REC6BL-11181-00	6BL-11181-00	139, 146
REC6C5-13915-00	6C5-13915-00	51
REC6C9-81800-00	6C9-81800-00	64
REC6CB-11181-00	6CB-11181-00	140, 146
REC6CE-44311-01	6CE-44311-01	179
REC6CE-44315-00	6CE-44315-00	179
REC6CE-44323-00	6CE-44323-00	179
REC6CE-44352-00	6CE-44352-00	179
REC6CJ-11181-00	6CJ-11181-00	140, 146
REC6D0-11181-00	6D0-11181-00	139, 145
REC6D0-11603-02		130
REC6D0-11631-00K (STB)		130
REC6D0-11642-00K (PORT)		130
REC6D0-W0001-00	6D0-W0001-00	142, 145
REC6D8-WS24A-00	6D8-WS24A-00	51
REC6DA-11181-00	6DA-11181-00	140, 146
REC6E0-11193-A1	6E0-11193-A1	94
REC6E0-11631-00-98	6E0-11631-00-98	95
REC6E0-11631-00-98K	6E0-11631-00-98	124, 127
REC6E0-11651-00	6E0-11651-00	135, 136
REC6E0-11651-01	6E0-11651-01	95
REC6E0-24411-00	6E0-24411-00	162
REC6E0-24434-00	6G1-24431-01	163
REC6E0-24435-00	6E0-24435-00	163
REC6E0-24471-00	6E0-24471-00	162
REC6E0-26301-01	6E0-26301-01	161
REC6E0-41112-A1	6E0-41112-A1	94, 146
REC6E0-41114-A1	6E0-41114-A1	94, 146
REC6E0-43118-01	6E0-43118-00/01	221
REC6E0-44322-02	6E0-44322-02	183, 244
REC6E0-44352-00	6E0-44352-00	183, 221
REC6E0-44352-00	CEF500325	221, 244
REC6E0-45113-A1	6E0-45113-A1	143
REC6E0-45316-00	6E0-45316-09	183
REC6E0-45317-00	6E0-45317-09	183
REC6E0-45511-01	6E0-45511-01	183, 227
REC6E0-45511-11	6E0-45511-11	183, 227
REC6E0-45551-00	6E0-45551-00	183, 227
REC6E0-45560-00	6E0-45560-00	183, 227
REC6E0-45570-00	6E0-45570-00	183, 227
REC6E0-45611-00		227
REC6E0-45611-01	6E0-45611-01	183
REC6E0-45631-00	6E0-45631-00	183, 227
REC6E0-85540-71	6E0-85540-71/70	67
REC6E0-W0001-C1	6E0-W0001-C1	182, 223
REC6E5-11181-A0	6E5-11181-A2	120, 139, 145
REC6E5-11193-A0	6E5-11193-A0	120, 151
REC6E5-11381-00	6E5-11381-A2	120, 122

YAMAHA

REF.	R.O./OEM	PAG
REC6E5-11381-A1	6E5-11381-A1	150
REC6E5-11411-00		135
REC6E5-11447-00	6E5-11447-00	121, 123
REC6E5-11610-02	6E5-11610-02	127, 129, 130
REC6E5-11633-01	6E5-11633-01	127, 137, 138
REC6E5-11634-00	93603-21111	127
REC6E5-11651-00		137, 138
REC6E5-12411-01	6E5-12411-01	104
REC6E5-12411-01	93210-56M80	105
REC6E5-12411-02	6E5-12411-01/02	94, 96, 103, 106
REC6E5-12411-30	6E5-12411-30	100, 111, 120, 122, 164
REC6E5-13411-00	6E5-13411-00	53
REC6E5-13621-A1	6E5-13621-A1	150
REC6E5-13645-A1-00	6E5-13645-A1	150
REC6E5-14198-A2	6E5-14198-A2	150
REC6E5-14323-03	6E5-14323-03	160
REC6E5-14328-01	6E5-14328-01	160
REC6E5-14384-03-00	6E5-14384-03	157
REC6E5-14385-02	6E5-14385-02	161
REC6E5-14386-01	6E5-14386-01	161
REC6E5-14386-02	6E5-14386-02	161
REC6E5-14416-A1	6E5-14416-A1	150
REC6E5-14483-A1	6E5-14483-A1	150
REC6E5-14546-00	6E5-14546-00	159
REC6E5-24410-03	6E5-24410-01-00	162
REC6E5-24411-00	6E5-24411-00-00	163
REC6E5-24434-02	6E5-24434-02	163
REC6E5-24435-00	6E5-24435-00	163
REC6E5-24471-00	6E5-24471-00	163
REC6E5-41112-A1	6E5-41112-A1	120, 148
REC6E5-41134-A0	6E5-41134-A0	155
REC6E5-41135-A0	6E5-41135-A0	155
REC6E5-44150-02	6E5-44150-02	213
REC6E5-44311-00	6E5-44311-00	177, 217, 245, 246
REC6E5-44312-00	6E5-44312-00	177, 178, 213, 219, 220
REC6E5-44315-00	6E5-44315-A0	155, 177, 213, 215, 217, 219
REC6E5-44322-00	6E5-44322-00	213, 217, 245, 246
REC6E5-44322-00/41	6E5-44322-00	177
REC6E5-44323-00-40	6E5-44323-00	213, 215, 245, 246, 248
REC6E5-44352-01	6E5-44352-01	177, 213
REC6E5-44352-01	6E5-44352-01	178, 215, 217, 219, 220, 221
REC6E5-44352-01	CEF500371	221, 244, 245, 246
REC6E5-44365-00	6E5-44365-00	219
REC6E5-45113-A2	6E5-45113-A0	143, 145
REC6E5-45114-00	6E5-45114-A0	153
REC6E5-45321-00	6E5-45321-00	177, 213, 215, 217
REC6E5-45331-00-94	6E5-45331-00-94	177, 215, 217, 213, 232, 233
REC6E5-45332-00-94	6E5-45332-00-94	215
REC6E5-45344-00	6E5-45344-00	177, 213, 215, 217, 218
REC6E5-45371-01	6E5-45371-01	215
REC6E5-45378-00	6E5-45378-00	177, 217
REC6E5-45501-01	6E5-45501-01	213
REC6E5-45501-01	LARGO 20.3"	232
REC6E5-45501-21	6E5-45501-21	213, 215
REC6E5-45511-01		227
REC6E5-45536-00	6E5-45536-00	213, 215
REC6E5-45551-02	6E5-45551-02	213, 215, 232, 233
REC6E5-45551-01	6E5-45501-01	215
REC6E5-45560-00	6E5-45560-01	213, 215, 232, 233
REC6E5-45570-00	6E5-45571-01/04	213, 215
REC6E5-45571-00		232, 233
REC6E5-45576-00	6E5-45576-00	213, 215
REC6E5-45587-01	6E5-45587-01	177, 215
REC6E5-45611-00	6E5-45611-01	213, 215, 232
REC6E5-45631-00	6E5-45631-01	177, 215
REC6E5-45631-01	6R5-45631-01	213, 232, 233, 234
REC6E5-45633-01	6E5-45633-01	177, 213, 215, 217, 232, 233, 234
REC6E5-45634-01	6E5-45634-01	177, 215
REC6E5-45641-03	6E5-45641-02	215
REC6E5-45641-03	6E5-45641-03	177, 213, 217
REC6E5-45978-00	6E5-45978-01	217
REC6E5-45987-00	6E5-45987-00/01	177, 213, 215
REC6E5-85510-11	6E5-85510-11/10	66
REC6E5-85540-12	6E5-85540-12/11/10	67
REC6E5-85570-		

YAMAHA

REF.	R.O./OEM	PAG
REC6E5-W0093-06	6E5-W0093-06	159
REC6E5-W0093-07	6E5-W0093-07	159
REC6E5-W0093-08	6E5-W0093-08	159
REC6E7-11181-00	6E7-11181-A2	138, 145
REC6E7-11631-00K	6E7-11631-00-97	101, 125, 127
REC6E7-11635-00K	6E7-11635-00	101, 125
REC6E7-11636-00K	6E7-11636-00	101, 125
REC6E7-14227-00	6E7-14227-00	156
REC6E7-14385-00	6E7-14385-00	160
REC6E7-45113-A0		145
REC6E7-45331-00-CA	6E7-45331-00-9M	189
REC6E7-45501-00	6E7-45501-00	189
REC6E7-45501-11	6E7-45501-10	189, 227, 228
REC6E7-45551-00	6E7-45551-00	189, 227, 228
REC6E7-45560-00	6E7-45560-00	189, 227, 228, 229
REC6E7-45560-01	6E7-45560-01	173, 191
REC6E7-45570-00	6E7-45571-00	173, 189, 191, 227, 228, 229
REC6E7-45987-00	6E7-45987-01	173
REC6E7-45987-01	6E7-45987-01	191
REC6E7-85570-19	6E7-85570-19-00	68
REC6E7-W0001-A1		145
REC6E7-W0093-01	6E7-W0093-04	157
REC6E8-14390-12	6E8-14390-12	159
REC6E9-11193-A0	6E9-11193-A0	151
REC6E9-12414-A0	6E9-12414-A1	108
REC6E9-12414-A1	6E9-12414-A1	164
REC6E9-14198-A0	6E9-14198-A0	149
REC6E9-41114-A0	6E9-41114-A0	147
REC6E9-82575-02	6E9-82575-00	69
REC6E9-W0093-02	6E9-W0093-02	158
REC6E9-W0093-03	6E9-W0093-03	158
REC6F3-W0001-04-00	6F3-W0001-A4	142
REC6F5-11181-A2	6F5-11181-A1/A2	108, 138, 145
REC6F5-11412-11	6F5-11412-11	109, 134
REC6F5-11422-11	6F5-11422-11	109, 134
REC6F5-11432-11	6F5-11432-11	109, 134
REC6F5-11442-11	6F5-11442-11	109, 134
REC6F5-11515-00	6F5-11515-00	107, 109
REC6F5-11610-00	6F5-11610-00	109, 125
REC6F5-11610-10	6F5-11610-10	109, 125
REC6F5-11610-20	6F5-11610-20	109, 125
REC6F5-11633-00	6F5-11633-00	107, 109, 125, 126, 136, 137
REC6F5-11651-00	6F5-11651-00	107, 109, 136, 137
REC6F5-11681-00	6F5-11681-00	109, 137
REC6F5-12411-03	6F5-12411-02	108
REC6F5-13621-A1	6F5-13621-A1	149
REC6F5-13645-A0	6F5-13645-A1	149
REC6F5-13646-A2	6F5-13646-A1	149
REC6F5-14198-A1	6F5-14198-A1	149
REC6F5-14323-00	6F5-14323-01	160
REC6F5-14384-00	6F5-14384-00	156
REC6F5-14390-21	6F5-14390-21	159
REC6F5-14398-00	6F5-14398-00	156
REC6F5-24563-00	6F5-24563-00	51, 52
REC6F5-26311-00	6F5-26311-00	161
REC6F5-41112-A0	6F5-41112-A0	108, 147
REC6F5-41114-A0	6F5-41114-A0	108, 147
REC6F5-44352-00	6F5-44352-00 CEF500352	203, 221, 245
REC6F5-45113-A0		145
REC6F5-45312-00-4D	6F5-45312-01-4D	203
REC6F5-45551-00	6F5-45551-00	203, 230
REC6F5-45560-00	6F5-45560-00	203, 230, 231
REC6F5-45570-00	6F5-45570-00	203, 231
REC6F5-85540-22	6F5-85540-22	66
REC6F5-85570-11	6F5-85570-13	68
REC6F5-W0001-C0	6F5-W0001-C0	202, 225
REC6F5-W0078-00	6F5-W0078-00	250
REC6F5-W0078-A0	6F5-W0078-A0	202, 245
REC6F6-11193-A1	6F6-11193-A1	108, 151
REC6F6-11631-00-95	6F6-11631-00-95	109, 125
REC6F6-11636-00K	6F6-11636-00	109, 125
REC6F6-13610-00	6F6-13610-00	160
REC6F6-14341-00	6F6-14341-00	159
REC6F6-14385-00	6F6-14385-00	160
REC6F6-45611-00	6F6-45611-00	203, 230, 231
REC6F6-W0001-02		145
REC6F6-W0093-00	6F6-W0093-00	158
REC6F8-11181-A0	6F8-11181-A1	138
REC6F8-11181-A1		145
REC6G0-11412-00	69P-11412-00	103
REC6G0-11412-10		134
REC6G0-11422-00	61N-11422-00	103, 134
REC6G0-11422-10		134
REC6G0-11432-00	61N-11432-00	103, 134

YAMAHA

REF.	R.O./OEM	PAG
REC6G0-11442-00	61N-11442-00	103, 134
REC6G0-11651-00		137
REC6G0-11681-00		137
REC6G0-85540-11	6G0-85540-11	67
REC6G1-11193-A1	6G1-11193-A1	96, 146
REC6G1-11610-00	6G1-11610-00	95, 124, 127
REC6G1-11633-00	6G1-11633-00	124, 125, 135
REC6G1-11681-00	6G1-11681-00	95, 97, 135
REC6G1-13621-A1	6G1-13621-A1	148
REC6G1-13645-A1	6G1-13645-A1	148
REC6G1-14198-A1	6G1-14198-A1	148
REC6G1-14546-00	6G1-14546-01	159
REC6G1-14985-00	647-14323-00	60
REC6G1-24304-02	6G1-24304-02	149
REC6G1-24305-05	6G1-24305-05	49
REC6G1-24411-00	6G1-24411-00	162
REC6G1-24431-01	6G1-24431-01	163
REC6G1-24471-00	6G1-24471-00	162
REC6G1-41112-A1	6G1-41112-A1	96, 146
REC6G1-41114-A0	6G1-41114-A0	96, 146
REC6G1-41133-A0	6G1-41133-A0	153
REC6G1-44315-A0	6G1-44315-A0	185, 244
REC6G1-44322-00	6G1-44322-00	185, 244
REC6G1-44323-00	6G1-44323-00	185, 244
REC6G1-44328-00	6G1-44328-00	185
REC6G1-44352-00	6G1-44352-00	185, 221
REC6G1-44352-00	CEF500302	221, 244
REC6G1-45113-A1	6G1-45113-A1	96, 144
REC6G1-45315-A0	6G1-45315-A0	185
REC6G1-45611-00		227
REC6G1-45611-01	6G1-45611-01	185
REC6G1-45631-00	6G1-45631-00	185, 227
REC6G1-81970-62	6G1-81970-61/62	66
REC6G1-W0001-C1	6G1-W0001-C0	223
REC6G1-W0001-C1	6N0-W0001-20	184
REC6G1-W0078-A1	6G1-W0078-A1	184, 244
REC6G1-W0093-00	6G1-W0093-00	157
REC6G5-11181-A2	6G5-11181-A3	122, 139, 145
REC6G5-11193-A0	6G5-11193-A0 / A1	122, 151
REC6G5-11382-A1	6G5-11382-A1	120, 122, 148
REC6G5-11411-02	6G5-11411-02	123, 135
REC6G5-11631-00K	6G5-11631-00-93	127
REC6G5-11631-00K (STB)		129, 130
REC6G5-11642-00K	6G5-11642-00-93	127
REC6G5-11642-00K (PORT)		129, 130
REC6G5-13645-A1	6G5-13645-A2	150
REC6G5-14416-A1	6G5-14416-A1	150
REC6G5-14483-01	6G5-14483-A1	150
REC6G5-41112-A1	6G5-41112-A1	122, 148
REC6G5-41114-A0	6G5-41114-A0	122, 148
REC6G5-41134-A1	6G5-41134-A1	155
REC6G5-41217-00	6G5-41217-01	156
REC6G5-44150-02	6G5-44150-02	177, 217
REC6G5-44323-00	6G5-44323-00	177, 217, 219, 248, 244, 245, 246
REC6G5-45113-A1	6G5-45113-A2	143, 145
REC6G5-45114-A0	6G5-45114-A1	152, 153
REC6G5-45383-01	6G5-45383-01	177, 217
REC6G5-45384-00	6G5-45384-00	217
REC6G5-45501-21	6G5-45501-21	217
REC6G5-45501-21 XL 25.3"		233, 234
REC6G5-45536-01	6G5-45536-01	177, 217
REC6G5-45551-00	6G5-45551-01	177, 217, 233, 234
REC6G5-45560-00	6G5-45560-01	217, 233
REC6G5-45567-01	6G5-45567-01	177, 217
REC6G5-45570-00	6G5-45570-02	177, 233, 234
REC6G5-45571-00	6G5-45571-02	217
REC6G5-45576-10	6G5-45576-00 / 10	177, 217
REC6G5-45577-02	6G5-45577-02	217
REC6G5-45631-00	6G5-45631-00	177, 217, 233, 234
REC6G5-81960-A0	6G5-81960-A0	66
REC6G5-85510-10	6G5-85510-10	66
REC6G5-85540-12	6G5-85540-12/11/10	67
REC6G5-W0001-03		145
REC6G5-W0001-A3	6G5-W0001-A3-00 6G5-W0001-03 6G5-W0078-A1 6G5-W0078-A1-00	122, 142 216, 245, 246, 176
REC6G8-11181-A1	6G8-11181-00 6G8-11181-A1	79, 139, 146
REC6G8-11351-A0	6G8-11351-00 6G8-11351-A0	79, 144, 146
REC6G8-12414-A0	6G8-12414-00	79, 164
REC6G8-13440-00	6G8-13440-00	53
REC6G8-13645-00	6G8-13645-00	148
REC6G8-13646-A0	6G8-13646-00	148
REC6G8-14198-A0	6G8-14198-00	148

YAMAHA

REF.	R.O./OEM	PAG
REC6G8-15374-00	6G8-15374-00	148
REC6G8-41112-02	6G8-41112-02	79, 146
REC6G8-41114-00	6G8-41114-00	146
REC6G8-45113-A1	6G8-45113-A1	152
REC6G8-81870-00	6G8-81870-00	69
REC6G8-W0001-A3	6G8-W0001-A3	79, 143, 146
REC6G8-W0001-C0	6G8-W0001-C0	224
REC6G8-W0001-C2	6G8-W0001-C2	223
REC6G8-W0001-C4	6G8-W0001-C4	224
REC6G8-W0001-C6	6G8-W0001-C6	223
REC6G9-W0001-C0	6G9-W0001-C0	224
REC6G9-W0001-C2	6G9-W0001-C2	223
REC6G9-W0001-C4	6G9-W0001-C4	223
REC6G9-W0001-C6	6G9-W0001-C6	223
REC6H0-W0093-00	6H0-W0093-00	158
REC6H1-11631-03K	6H1-11631-03-95	126, 128, 129
REC6H1-44144-00	6H1-44144-00	209, 211
REC6H1-45611-01	6H1-45611-01	211, 232
REC6H1-45611-00	6H1-45611-01-00	209, 232
REC6H1-45631-01	6H1-45631-01	211, 232
REC6H1-45631-01-00	6H1-45631-01-00	209
REC6H1-45634-02	6H1-45634-02	209, 211
REC6H1-45668-00	6H1-45668-00	219
REC6H1-85510-00	6H1-85510-00	66
REC6H1-W0001-00-00	6H1-W0001-A1	142
REC6H1-W0093-01-00	6H1-W0093-01	158
REC6H1-W0093-10	6H1-W0093-10	158
REC6H2-81960-10	6H2-81960-10	66
REC6H2-W0001-20	6H2-W0001-20	226
REC6H2-W0093-10	6H2-W0093-10	157
REC6H3-11181-A0	6H3-11181-A2	117, 138, 145
REC6H3-11193-A1	6H3-11193-A1	117, 151
REC6H3-11601-12	6K5-11601-12	117
REC6H3-11601-22	6K5-11601-22	117
REC6H3-11631-01K	6H3-11631-01-96	117, 125, 128, 129
REC6H3-11633-00	6H3-11633-00	117, 125, 126, 137
REC6H3-11635-01K	6H3-11635-01	117, 125
REC6H3-11636-01K	6H3-11636-01	117, 125
REC6H3-12411-10	6H3-12411-10/11	117, 164
REC6H3-12414-A1	6H3-12414-A1	117
REC6H3-13621-A1	6H3-13621-A1	149
REC6H3-13622-A1	6H3-13622-A1	149
REC6H3-14198-A1	6H3-14198-A1	149
REC6H3-14457-01	6H3-14457-01	156
REC6H3-14590-00	6H3-14590-01	159
REC6H3-41112-A0	6H3-41112-A0	117, 147
REC6H3-41114-A0	6H3-41114-A0	117, 147
REC6H3-41217-00	6H3-41217-00	156
REC6H3-44311-00		244, 245
REC6H3-44315-00		244, 245
REC6H3-44323-00	6H3-44323-00-00	244, 245, 247
REC6H3-44352-00	697-44352-00	205
REC6H3-44352-00	6H3-44352-00	221
REC6H3-44352-00	CEF500316	221, 244, 245
REC6H3-45113-00	6H3-45113-A0	143, 145
REC6H3-45114-A1	6H3-45114-A1	152
REC6H3-45123-00	6H3-45123-00	154
REC6H3-45127-00	6H3-45127-00	154
REC6H3-W0001-02	6H3-W0001-02	116, 140, 145
REC6H3-W0001-22	6H3-W0001-22	224
REC6H3-W0001-C1	6H3-W0001-21	225
REC6H3-W0078-00	6H3-W0078-00	250
REC6H3-W0093-02	6H3-W0093-02	158
REC6H4-04352-02	6H4-44352-02	195
REC6H4-11181-00	6H4-11181-A2	138, 145
REC6H4-11601-00	6H4-11601-00	125, 128
REC6H4-11601-10	6H4-11601-10	125
REC6H4-11601-20	6H4-11601-20	125
REC6H4-11610-00		128
REC6H4-11610-00-00	6H4-11610-00	126
REC6H4-11631-00K	6H4-11631-00-96	126, 128
REC6H4-11631-01K	6H4-11631-01-95	113, 125, 128
REC6H4-11634-01	6H4-11634-01	113, 125, 126
REC6H4-11635-00K		126
REC6H4-11635-01K	6H4-11635-01	

YAMAHA

REF.	R.O./OEM	PAG
REC6H4-45113-00	6H4-45113-A0	144, 145
REC6H4-45113-A0		145
REC6H4-45551-00	6H4-45551-00	199, 230, 231
REC6H4-45560-00	6H4-45560-00	199, 230, 231
REC6H4-45570-00	6H4-45571-00	199, 230, 231
REC6H4-W0001-04	6H4-W0001-04	140
REC6H4-W0001-21	6H4-W0001-21	198
REC6H4-W0001-A1	6H4-W0001-01	141, 145
REC6H4-W0078-00	6H4-W0078-00	249
REC6H4-W0093-01-00	6H4-W0093-01	158
REC6H4-W0093-03	6H4-W0093-03	157
REC6H9-45551-00		230
REC6J1-11610-00	6J1-11610-00	95
REC6J8-11181-00	6J8-11181-A2	138, 145
REC6J8-11181-A2	6J8-11181-A1	104
REC6J8-11601-01		128
REC6J8-11631-02K	6J8-11631-02-97	105, 125, 128
REC6J8-13411-00	6J8-13411-00	53
REC6J8-24471-00	6J8-24471-00	163
REC6J8-44311-00	6J8-44311-00	197
REC6J8-45113-00	6J8-45113-A0	104, 144, 145
REC6J8-85540-H2	6J8-85540-H2	67
REC6J9-45332-00-CA	6J9-45332-00-CA	217, 233, 234
REC6J9-45611-00	6J9-45611-01	177, 217, 233, 234
REC6K1-82510-07	6K1-82510-06	70
REC6K4-11422-00		134
REC6K4-11651-00		136
REC6K5-11601-02	6K5-11601-02	117, 125, 126, 128, 129
REC6K5-11601-22		125, 126
REC6K5-11631-03K	6K5-11631-03-95	126, 128
REC6K5-11635-03K		126
REC6K5-11636-03K		126
REC6K5-11681-00		138
REC6K5-45551-00		229, 232
REC6K5-45560-00		229, 231, 232
REC6K5-45570-00		231
REC6K5-W0001-02	6K5-W0001-02	141
REC6K5-W0078-01	6K5-W0078-01	245, 250
REC6K7-11633-00	6K7-11633-00	127, 138
REC6K7-13645-A2	6K7-13645-A2	150
REC6K7-W0093-09	6K7-W0093-09	159
REC6K8-41122-A1	6K8-41122-A1	103, 147
REC6K8-41124-A1	6K8-41124-A1	103, 147
REC6KT-11633-00		138
REC6L2-11181-A1	6L2-11181-A3	138, 145
REC6L2-11193-A1	6L2-11193-A1	151
REC6L2-14384-00-00	6L2-14384-00	156
REC6L2-14385-00	6L2-14385-00	160
REC6L2-14399-00	6L2-14399-00	156
REC6L2-26301-00	6L2-26301-00	161
REC6L2-41112-A3	6L2-41112-A2	147
REC6L2-41114-A1	6L2-41114-A1	147
REC6L2-41133-A3	6L2-41133-A3	153
REC6L2-41134-00	6L2-41134-00	153
REC6L2-44352-00	6L2-44352-00	221
REC6L2-44352-00	CEF500384	221, 244
REC6L2-45113-A2	6L2-45113-A1	144, 145
REC6L2-45611-00	6L2-45611-00	195, 229, 230
REC6L2-45987-00	6L2-45987-01	195, 197
REC6L2-W0001-03-00	6L2-W0001-A2	141, 145
REC6L2-W0001-C3	6L2-W0001-C3	224
REC6L2-W0093-00	6L2-W0093-00	157
REC6L5-44323-00	6L5-44323-00	247
REC6L5-44352-00	6L5-44352-00	221
REC6L5-44352-00	CEF500322	221, 244
REC6L8-G3118-01	6L8-G3118-01	221
REC6N0-G2177-00	6N0-G2177-00	221
REC6N0-G5551-00	6N0-G5551-00	185, 227
REC6N0-G5560-00	6N0-G5560-00	185, 227
REC6N0-G5571-00	6N0-G5571-00	185, 227
REC6N6-W0001-A3	6N6-W0001-A3	120
REC6N6-W0078-02	6E5-W0078-01-00	212
REC6N6-W0078-02	6N6-W0078-02	212, 245, 251
REC6N6-W0093-02	6N6-W0093-02	159
REC6N7-11411-00	6N7-11411-00	121
REC6N7-11411-01		135
REC6P2-11181-00	6P2-11181-00 (STB)	140
REC6P2-11181-00		146
REC6P2-11182-00	6P2-11182-00 (PORT)	140
REC6P2-11182-00		146
REC6P2-44323-00	6P2-44323-00	178, 244, 248
REC6P2-44323-00	6PS-44323-00	244
REC6P3-24564-00	6P3-24564-00	52
REC6P3-WS24A-00	6P3-WS24A-00	51
REC6R3-11411-00		135

YAMAHA

REF.	R.O./OEM	PAG
REC6R3-85570-01	6R3-85570-01	68
REC6R3-W0001-03	6R3-W0001-A3	142
REC6R5-11603-00	6R5-11603-00	126, 129, 130
REC6R5-11631-01K	6R5-11631-11-93	127
REC6R5-11631-01K (STB)		129, 130
REC6R5-11631-11K	6R5-11361-11-93	121, 126
REC6R5-11631-11K (STB)		129, 130
REC6R5-11633-00	6R5-11633-10	121, 123, 126, 127, 137
REC6R5-11634-00	6R5-11634-00	127
REC6R5-11634-00	6R5-11634-10	121, 123, 126, 127, 137
REC6R5-11642-01K	6R5-11642-11-93	127
REC6R5-11642-01K (PORT)		129, 130
REC6R5-11642-11K	6R5-11642-11-93	121, 126
REC6R5-11642-11K (PORT)		129, 130
REC6R5-11650-10	6R5-11650-10	121, 123
REC6R5-11651-00		138
REC6R6-W0001-02-00	6R6-W0001-02	141, 145
REC6R7-11181-A0	6R7-11181-A1	139, 145
REC6S1-41136-00	6S1-41136-00	155
REC703-82510-13	703-82510-12	70
REC703-82510-44	703-82510-43	70
REC855686		50
REC8G5-45384-00	6G5-45384-00	177
REC90105-06M01	90105-06M01	203
REC90109-08022	90109-08022	115, 119, 123
REC90109-08M71	90109-08M71	121
REC90119-06M10	90119-06M10	215, 218
REC90119-08M13	90119-08M13	197, 207
REC90119-08M14	90119-08M14	178, 179, 215, 217, 219, 220
REC90119-08M15	90119-08M15	201
REC90119-08M21	90119-08M21	204
REC90170-12138	90170-12138	199, 201, 205, 177, 207, 211, 213, 215
REC90170-16M01	90170-16M01	213, 215
REC90170-16M01	90170-16M01-00	209
REC90170-16M19	90170-16M19	219
REC90171-10M01	90171-10M01	173, 191
REC90171-14013	90171-14013	193, 195, 197
REC90171-16011	90171-16011	199, 201, 205, 207, 211
REC90171-16011	90171-16011-00	209
REC90171-18M04	90171-18M04	177, 213, 215, 217, 219
REC90179-08M06	90179-08M06	173, 189, 191
REC90179-09M02	90179-09M02	193
REC90179-10M14	90179-10M14	195, 197
REC90183-02M03	90183-02M03	219
REC90201-02M00	90201-02M00	219
REC90201-12565		135
REC90201-14377	90201-14377	101, 135, 136
REC90201-16M00	90201-16M00	219
REC90201-17682	90201-17682	173, 189, 191
REC90201-17M00	90201-17M00	211
REC90201-17M00	90201-17M00-00	209
REC90201-20417	90201-20417	107, 109, 115, 117, 119, 193, 195, 197, 136, 137
REC90201-20M27	90201-20M27	103, 136
REC90201-22429	90201-22429	199, 201, 205
REC90201-22M01	90201-22M01	217, 219
REC90201-23M01	90201-23M01	121, 123, 137
REC90201-30M92	90201-30M92	177, 213, 215, 217
REC90201-31M00	90201-31M00	219
REC90201-46M29	90201-46M29	101
REC90206-22M19	90206-22M19	217, 219
REC90209-18112	90209-18112	95, 97, 135, 136
REC90209-20159		135, 136
REC90209-20M23	90209-20M23	101, 136
REC90209-22071		136
REC90209-22248		136
REC90209-24M03	90209-24M03	103, 136, 137
REC90209-27M07	90209-27M07	107, 109, 136, 137
REC90209-27M11		137
REC90214-48M03	90214-48M03	205
REC90250-03M10	90250-03M10	181
REC90250-05010	90250-05010	173, 189, 191, 193, 195, 197
REC90250-05036	90250-05036	187
REC90250-05046	90250-05046	183
REC90250-06023	90250-06023	199, 201, 203, 205
REC90250-07M02	90250-07M02	207
REC90250-07M02	90250-07M02-00	209
REC90250-08M07	90250-08M07	177, 213, 215, 217, 185, 187, 189, 197, 199, 244, 245, 195, 201, 205, 244, 245
REC90280-03024	90280-03024	179
REC90280-03M03	90280-03M03	203, 245
REC90280-04002	90280-04002	179
REC90280-04M00	90280-04M00	203, 245
REC90280-04M04	90280-04M04	207, 211, 244, 245

YAMAHA

REF.	R.O./OEM	PAG
REC90280-04M04	90280-04M04-00	209
REC90280-04M05	90280-04M05	178, 215, 217, 219, 220, 244, 245, 246
REC90280-05015	90280-05049	103
REC90282-04010	90282-04010	193, 197, 199, 205, 207, 215
REC90340-08002	90340-08002	195, 205, 219
REC90340-08014	90340-08002	197, 201, 217
REC90340-08014	90340-08014	189
REC90340-08014	90340-08M04	177, 213, 215
REC90386-25M31	90386-25M31	222
REC90386-30M77	90386-30M77	222
REC90387-32002	90387-32002	103
REC90389-22M01	90389-22M01	201
REC90430-05020	90430-08020	215
REC90430-06014	90430-06014	90
REC90430-06M03	90430-06M03	91, 93, 187, 173, 177, 178, 179, 181, 183, 191, 193, 197, 201, 203, 205, 207, 211, 213, 217, 219
REC90430-08020	90430-08020	209
REC90430-08020	90430-08020-00	209
REC90430-12072	90430-12072	201, 207, 211
REC90430-12072	90430-12072-00	209
REC90430-14115	90430-14115	90, 111, 115, 117
REC90445-07M28	90445-07M02	94, 98
REC90445-07MA3	90445-07M02	117
REC90501-10M77	90501-10M77	218
REC90501-11M10	90501-11M10	213, 217, 219
REC90501-11M18	90501-11M18	177
REC90501-13M37	90501-13M37	213
REC90501-14M06	90501-14M06	189
REC90501-16233	90501-16233	205, 207
REC90501-16M37	90501-16M37	177, 215, 217
REC90794-46866		50
REC90794-46868		50
REC91490-30020	91490-30020	173, 191
REC91490-30025	91490-30025	201
REC91490-30030	91490-30030	193, 199
REC91490-30040	91490-30040	181
REC91490-40025	91490-40025	205, 207
REC91490-40030	91490-40030	177, 211, 213, 215, 217, 219
REC91490-40030	91490-40030-00	209
REC9306-304U0		131
REC9306-30510		131
REC93101-10M14	93101-10M14	183
REC93101-10M25	93101-10M25	95
REC93101-11M23	93101-11M23	185
REC93101-12M26	93101-12M26	96
REC93101-13018	93101-13018	101
REC93101-13M12	93101-13M12	183
REC93101-14M01	93101-14M01	98
REC93101-15074	93101-15074	185, 187
REC93101-16001	93101-16001	103, 106
REC93101-17054	93101-17054	173, 189, 191
REC93101-18050	93101-18050	187
REC93101-20048	93101-20048	173, 189, 191, 203
REC93101-20M07	93101-20M07	193, 195, 197
REC93101-20M29	93101-20M29	95, 98
REC93101-20M34	93101-20M34	96
REC93101-22067	93101-22067	193, 195, 199, 205
REC93101-22M00	93101-22M00	201, 203
REC93101-22M15	93101-22M15	121, 123
REC93101-22M60	93101-22M60	201
REC93101-23070	93101-23070	197, 199, 205
REC93101-25018	93101-25018	101
REC93101-25M03	93101-25M03	207, 211
REC93101-25M03	93101-25M03-00	209
REC93101-28M16	93101-28M16	177, 178, 213, 215, 217, 218, 220, 177, 213, 215, 217, 219
REC93101-30M17	93101-30M17	108
REC93101-30M33	93101-30M33	83
REC93102-18M21	93102-18M21	96, 98
REC93102-20M25	93102-20M25	103
REC93102-25008	93102-25008	113
REC93102-25M28	93102-25M28	103
REC93102-25M48	93102-25M48	101
REC93102-25M52	93102-25M52	83
REC93102-26M27	93102-26M27</	

YAMAHA

REF.	R.O./OEM	PAG
REC93102-35M47	93102-35M47	90
REC93102-35M51	93102-35M51	83
REC93102-36M02	93102-36M02	119
REC93102-36M24	93102-36M24	117
REC93102-37M40	93102-37M40	90
REC93102-40M14	93102-40M14	121, 123
REC93102-43M42	93102-43M42	90
REC93103-10052	93103-10052	181
REC93103-11051	93103-11051	181
REC93104-16M01	93104-16M01	108, 113
REC93104-16M01	93104-16M04	105
REC93104-18049	93104-18049	115
REC93104-20M02	93104-20M02	119
REC93106-09014	93106-09014	205, 207, 211, 215, 217, 218
REC93106-09014	93106-09014-00	209
REC93106-18M01	93106-18M01	117
REC93110-23M00	93110-23M00	101
REC93140-22M07	93140-22M07	179
REC93170-16M01	93170-16M01	217
REC93210-06ME6	93210-06ME6	173, 191, 201
REC93210-12MG9	93210-12MG9	90
REC93210-14515	93210-14515	90
REC93210-22M02	93210-22M02	108
REC93210-33MG4	93210-33MG4	201
REC93210-33MH2	93210-33MH2	90
REC93210-37160	93210-37160	179, 215, 217, 177, 178, 213, 219, 220
REC93210-37M67	93210-37M67	197, 199, 205
REC93210-41042	93210-41042	181
REC93210-42101	93210-42101	96, 98, 105, 115
REC93210-42159	93210-42159	98
REC93210-42M70	93210-42M70	173, 244
REC93210-44398	93210-44398	207, 211
REC93210-46044	93210-46044	209
REC93210-46044	93210-46044-00	101, 103, 117, 119
REC93210-46M16	93210-46M16	183
REC93210-48214	93210-48214	201
REC93210-48MG8	93210-48MG8	185, 199, 205, 207, 211, 244
REC93210-49046	93210-49046	209
REC93210-49046	93210-49046-00	185
REC93210-53M08	93210-53M08	213, 218
REC93210-54534	93210-54534	96
REC93210-54M54	93210-54M54	173, 189, 191
REC93210-57M09	93210-57M09	215, 217, 177, 187, 213
REC93210-58677	93210-58144	103, 113
REC93210-58M21	93210-58M21	201, 244, 245
REC93210-59MG7	93210-59MG7	197
REC93210-60MA3	93210-60MA3	115, 119
REC93210-62269	93210-62269	195
REC93210-64ME7	93210-64ME7	218
REC93210-65752	93210-65752	195
REC93210-65M50	93210-65M50	106, 108, 117, 195
REC93210-66M98	93210-66M98	199, 205
REC93210-69MG6	93210-69MG6	201
REC93210-74M35	93210-74M35	121, 123
REC93210-74MG5	93210-74MG5	201
REC93210-85M97	93210-85M97	207, 211
REC93210-85M97	93210-85M97-00	209
REC93210-86M38	93210-86M38	177, 178, 213, 215, 217, 219, 220, 244, 245, 246
REC93210-86M39	93210-86M39	213, 215
REC93210-94003	93210-94003	179
REC93210-97M55	93210-97M55	177, 217
REC93211-04001	93211-04001	121, 123
REC93211-04384	93211-04384	219
REC93250-07M02	90250-07M02	211
REC93301-30M17		241
REC93303-18M09		131
REC93304-205U0		131
REC93306-001U1	93306-001U1	201, 236, 237, 238
REC93306-00501	93306-00501	173, 189, 191, 234, 235
REC93306-00519	93306-00519	187, 234
REC93306-00612	93306-00612	193, 195, 197, 235, 236, 237
REC93306-00702	93306-00702	199, 205, 236, 237, 238
REC93306-204U0	93306-204U0	95, 97, 131
REC93306-204Y7	93306-20401	203
REC93306-205U2		131
REC93306-205U7	93306-20U7	101, 131
REC93306-206U5	93306-206U5	119, 132, 133
REC93306-207U0	93306-207U0	207, 211, 237, 238, 239
REC93306-207U0	93306-207U0-00	209

YAMAHA

REF.	R.O./OEM	PAG
REC93306-208U0	93306-208U0	121, 123, 213, 215, 133, 134, 238, 239, 240
REC93306-209U0	93306-209U0	177, 217, 240, 241, 242, 243
REC93306-209U0 STD		241, 242, 240, 243
REC93332-00048 C.ROT		241, 242, 240, 243
REC93306-209U0 STD.		241
REC93332-00048 C.ROT.		241
REC93306-210U0	93306-210U0	219, 243
REC93306-304U0		131
REC93306-305U0		131, 132
REC93306-305U3	93306-305U3	103, 105, 131, 132
REC93306-305U8	93306-305U8	113, 132
REC93306-305V8		132
REC93306-306U2	93306-306U1	109
REC93306-306V1	93306-306V1	117, 131, 132
REC93306-306V5	93306-306V5	107, 132
REC93306-307U0	93306-307U0	107, 109, 132, 133
REC93310-112V0	93310-112V0	97, 124, 131
REC93310-32337	93310-32337	123, 126, 127, 133, 134
REC93310-323V6	93310-323V6	121, 133
REC93310-326V4		131
REC93310-418U2		131
REC93310-418V1	93310-418V1	95, 97, 131
REC93310-522A4		131, 132
REC93310-522W0		131
REC93310-527W1		132
REC93310-620U5		131
REC93310-620V5	93310-620V5	101
REC93310-624U5	93310-62406	103, 132
REC93310-636U4	93310-636U4	119, 132, 133
REC93310-727U0	93310-727U0	107, 132
REC93310-727V7	93310-727V7	109, 132
REC93310-730V6		132
REC93310-730V8	93310-730V8	115, 119, 132, 133
REC93310-835U8	93310-835U8	119, 132, 133
REC93310-836U0		133, 134
REC93310-836V2	93310-836V2	121, 123, 133, 134
REC93310-86M38		244
REC93310-954U1	93310-954U1	121, 123, 133, 134
REC93310-954V3		133, 134
REC93311-632U1	93311-632U1	115, 132
REC93311-632U7	93311-632U7	105, 131, 132
REC93311-636U6	93311-636U6	117, 131, 132
REC93311-83280	93311-83280	219, 242, 243
REC93311-832U4	93311-832U4	115, 132
REC93311-928U5	93311-928U5	217, 240, 241, 242, 243
REC93311-940U3	93311-940U3	121, 123, 133, 134
REC93311-940U3	93311-940U3	123
REC93315-017U4	93315-017U4	193, 235, 236
REC93315-217U0	93315-217U0	203, 237
REC93315-22004	93315-22004	193, 195, 197, 235, 236, 237
REC93315-220V7	93315-220V7	195, 197, 236, 237
REC93315-314V8	93315-314V8	173, 191, 234, 235, 173, 189, 191, 234, 235
REC93315-317U2	93315-317U2	199, 201, 205, 236, 237, 238
REC93315-32224	93315-32224	203, 237
REC93315-324U1	93315-324U1	203, 237
REC93315-325V1	93315-325V1	207, 211, 236, 237, 238
REC93315-325V1	93315-325V1-00	209
REC93315-425U7	93315-425U7	213, 215, 238, 239, 240
REC93315-425V3	93315-425V3	177, 217, 240, 241, 242, 243
REC93315-43061	93315-43061	217, 219, 239, 240, 241, 243
REC93315-430U8	93315-430U8	177, 213, 215, 238, 239, 240, 241, 242, 243
REC93315-430V5	93315-430V5	177, 213, 239, 240, 241, 242, 243
REC93315-430V5		241
REC93315-430V5		239, 242, 240, 241, 243, 238
AGUJAS		239, 242, 240, 241, 243, 238
REC93341-930U2 AXIAL		213, 215, 238, 239, 240
REC93315-628U9	93315-628U9	199, 201, 205, 236, 237, 238
REC93317-22204	93317-22204	207, 211
REC93317-322V0		209, 238, 239
REC93317-325U0	93317-325U0	215, 217, 218, 239, 241, 242, 243
REC93317-330U2	93317-330U2	238, 239, 240, 241, 242, 243
REC93317-330U2		242, 243
AGUJAS		238, 239, 240, 241, 242, 243
REC93341-930U2 AXIAL		238, 239, 240, 241, 242, 243

YAMAHA

REF.	R.O./OEM	PAG
REC93330-43061		243
REC93331-632U7		132
REC93332-00001	93332-00001	197, 201, 205, 236, 237, 238
REC93332-00003	93332-00003	201, 205, 236, 237, 238
REC93332-00005	93332-00005	173, 189, 191, 195, 234, 235, 236, 237
REC93332-00023		236, 237, 238
REC93332-00048		240, 241, 242
REC93332-000U0		237
REC93332-000U3	93332-000U3	207, 211, 238, 239
REC93332-000U3	93332-000U3-00	209
REC93332-000U5		238
REC93332-000U7	93332-000U7	213, 215, 238, 239, 240
REC93332-000UE	93332-000UE	107, 109, 132, 133
REC93332-000U0	676-45567-00-07	203
REC93332-000U0	93332-000U0	203
REC93332-000V3	93332-000V3	177, 217, 240, 241, 242, 243
REC93332-000V3 STD.		240, 241, 242
REC93390-000U2 C.ROT		240, 241, 242
REC93332-000W1	93332-000W1	219, 242, 243
REC93332-000W5	93332-000WS	195, 236, 237
REC93332-000W7	93332-000W7	207, 211, 236, 237, 238
REC93332-000W7	93332-000W7-00	209
REC93332-017U4		236
REC93341-214U1	93341-214U1	189, 234, 235
REC93341-41414	93341-41414	173, 191, 234, 235
REC93341-414V1		234, 235
REC93341-93020	93341-93020	218
REC93341-930U0	93341-930U0	177, 213
REC93341-930V2	93341-930V2	215, 217
REC93342-624U0	93342-624U0	203
REC93390-000U0	93390-000U0	203, 237, 240, 241, 242
REC93399-99951	93399-99951	103, 131
REC93430-08020	93430-08020	220
REC93440-49M04	93440-49M04	117
REC93440-52009	93440-52009	101
REC93440-68M03	93440-68M03	107, 108, 109
REC93450-13022	93450-13022	97, 124, 125
REC93450-15023	93450-15023	101, 125
REC93501-04011	93501-04011	219
REC93503-16003	93503-16003	177, 215, 217
REC93507-32031	93507-32031	177, 213, 215, 217
REC93511-32027	93511-32027	173, 215, 217
REC93602-14104	93602-14104	101, 125, 131
REC93602-14118	93602-14118	125, 131
REC93602-20M02	93602-20M02	103, 113, 125, 126, 127, 132, 133, 134
REC93603-18M09	93603-18M09	117, 125, 126, 131, 132
REC93603-21111	93603-21111	107, 109, 115, 119, 125, 126, 127, 132, 133, 134
REC93606-12019	93606-12019	93, 104, 178, 179, 189, 213, 215, 217, 218, 220
REC93606-12019	93606-12019	104
REC93608-12M05	93608-12M05	219
REC93380-06700	93380-06700	201
REC97075-10040	97075-10040	205, 207
REC97080-08045	97080-08045	173, 177, 191, 213
REC97095-06030	97095-06030	104, 181, 185
REC97095-06045	97095-06045	185, 199, 203, 205
REC97095-08055	97095-08055	203, 205, 199
REC97395-08070	97395-08070	211
REC97395-08070	97395-08070-00	209
REC97575-10445	97575-10445	219
REC99001-06600	99001-06600	185
REC99001-08600	99001-08600	207, 213, 217, 218
REC99590-10114	99590-10114	219
REC99999-02808	99999-02808	221
REC926-13440-00	N26-13440-00	53
RECOBFILTER		50
RECOBLEMENT		50
RECOBRACKET		49
RECYS-225-15		50
RM35-802893Q		50
SIE-18-8013		48
SIE-18-8015		48
SIE-18-6865		65
SOL2011-083-07P	647-45943-00-EL	252
SOL2011-083-08P		252
SOL3011-073-055S	6L5-45949-00-EL	252
SOL3011-075-075S	6E0-45943-04-EL	252
SOL3011-085-07	6G1-45947-00-EL	252

YAMAHA

REF.	R.O./OEM	PAG
SOL3011-085-08	6G1-45943-00-EL	252
SOL3011-085-09	6G1-45941-00-EL	252
SOL3111-093-07		252
SOL3111-093-08	683-45947-00-EL	252
SOL3111-093-09	683-45945-00-EL	252
SOL3111-093-10	683-45942-00-EL	252
SOL3111-093-11	683-45943-00-EL	252
SOL3111-093-12		252
SOL3211-099-09	664-45941-01-EL	253
SOL3211-099-10	664-45945-00-EL	253
SOL3211-099-11	664-45947-01-EL	253
SOL3211-099-12	664-45954-00-EL	253
SOL3211-099-13	664-45949-02-EL	253
SOL3231-101-13	MAR-GYT30-02-12	253
SOL3231-103-12	664-45970-00-98	253
SOL3231-105-11	664-45972-00-98	253
SOL3231-108-10		253
SOL3311-110-15	663-45943-02-EL	253
SOL3311-110-16	663-45949-01-EL	253
SOL3311-110-17	663-45941-01-EL	253
SOL3311-111-13	663-45945-02-EL	253
SOL3311-111-14	663-45958-01-EL	253
SOL3311-114-12	663-45952-02-EL	253
SOL3311-115-10-P		253
SOL3311-115-11-P		253
SOL3311-115-12-P		253
SOL3311-116-11	663-45947-02-EL	253
SOL3311-121-09	663-45956-01-EL	253
SOL3331-111-13		253
SOL3331-111-14		253
SOL3331-114-12		253
SOL3331-116-11		253
SOL3331-119-10		253
SOL3411-130-19	6E5-45941-00-EL	253
SOL3411-130-21	6E5-45943-00-EL	253
SOL3411-133-17	6E5-45945-00-EL	253
SOL3411-135-15	6E5-45947-00-EL	253
SOL3411-138-13	6E5-45949-00-EL	253
SOL3411-140-11	6E5-45954-00-EL	253
SOL3412-133-17		253
SOL3412-135-15		253
SOL3412-138-13		253
SOL3413-125-19	6E5-45941-00-EL	253
SOL3413-125-21	6E5-45943-00-EL	253
SOL3413-130-15	6E5-45947-00-EL	253
SOL3413-133-13	6E5-45949-00-EL	253
SOL3431-130-19	688-45970-03-98	253
SOL3431-130-21	688-45972-02-98	253
SOL3431-133-17	688-45930-02-98	253
SOL3431-135-15	688-45978-60-98	253
SOL3511-142-23		253
SOL3511-143-21		253
SOL3511-145-19	6K1-45945-01-98	253
SOL3511-148-17	6K1-45947-00-98	253
SOL3511-150-15	6G5-45952-00-98	253
SOL3511-155-13	6G5-45941-00-98	253
SOL3512-142-23	6G5-45941-00-98	253
SOL3512-143-21	6G5-45949-00-98	253
SOL3512-145-19	6G5-45949-00-98	253
SOL3512-148-17	6G5-45945-01-98	253
SOL3512-150-15	6G5-45947-01-98	253
SOL3513-128-17	6E5-45945-00-EL	253
SOL3513-140-21		253
SOL3513-143-19	6K1-45945-01-98	253
SOL3513-145-17	6K1-45947-00-98	253
SOL3513-148-15	6G5-45952-00-98	253
SOL3514-140-21	6G5-45949-00-98	253
SOL3514-143-19	6G5-45949-00-98	253
SOL3514-145-17	6G5-45945-01-98	253
SOL3514-148-15	6G5-45947-01-98	253
SOL3531-140-19	6K1-45974-02-98	253
SOL3531-140-21	6K1-45972-01-98	253
SOL3531-140-23	6K1-45976-00-98	253
SOL3531-143-17	6K1-45978-02-98	253
SOL3531-145-15	6K1-45970-01-98	253
SOL3532-140-19	6G5-45972-02-98	253
SOL3532-140-21	6G5-45976-01-98	253
SOL3532-140-23	6G5-45930-00-98	253
SOL3532-143-17	6G5-45974-03-98	253
SOL3532-145-15	6G5-45978-03-98	253
SOL3571-145-25		253
SOL3571-145-27	6G5-45970-02-98	253
SOL3571-148-23	6G5-45949-00-98	253
SOL3571-150-21	6G5-45949-00-98	253
SOL3571-153-19	6G5-45945-01-98	253

YAMAHA

REF.	R.O./OEM	PAG
SOL3571-155-17	6G5-45947-01-98	253
SOL3572-148-23		253
SOL3572-150-21		253
SOL3572-153-19	6K1-45945-01-98	253
SOL3572-155-17	6K1-45947-00-98	253
SOL3572-158-15	6G5-45952-00-98	253
SOL9311-110-15		254
SOL9311-111-13		254
SOL9311-111-14		254
SOL9311-114-12		254
SOL9311-116-11		254
SOL9311-120-10		254
SOL9311-121-09		254
SOL9331-110-15		255
SOL9331-111-13		255
SOL9331-111-14		255
SOL9331-114-12		255
SOL9331-116-11		255
SOL9411-132-19		254
SOL9411-132-21		254
SOL9411-133-17		254
SOL9411-135-15		254
SOL9411-138-12		254
SOL9411-140-09		254
SOL9411-140-11		254
SOL9431-130-19		255
SOL9431-130-21		255
SOL9431-133-17		255
SOL9431-135-15		255
SOL9431-138-13		255
SOL9432-130-19		255
SOL9432-133-17		255
SOL9432-135-15		255
SOL9432-138-13		255
SOL9511-143-21		254
SOL9511-145-19		254
SOL9511-148-17		254
SOL9511-150-15		254
SOL9511-153-13		254
SOL9511-155-11		254
SOL9511-160-13		254
SOL9531-140-19		255
SOL9531-140-21		255
SOL9531-140-23		255
SOL9531-143-17		255
SOL9531-145-15		255
SOL9532-140-19		255
SOL9532-140-21		255
SOL9532-140-23		255
SOL9532-143-17		255
SOL9532-145-15		255
SOL9571-145-25		255
SOL9571-148-23		255
SOL9571-153-19		255
SOL9571-153-21		255
SOL9571-155-17		255
SOL9571-158-15		255
SOL9572-145-25		255
SOL9572-148-23		255
SOL9572-153-19		255
SOL9572-153-21		255
SOL9572-155-17		255
SOL9572-158-15		255
SOLRBX-102		254
SOLRBX-103		254
SOLRBX-108		254
SOLRBX-117		254
SOLRBX-127		254
TEN01100	664-45371-01A	62
TEN01101	664-45371-01A	62
TEN01101	679-45371-00	205
TEN01102		62
TEN01103	6E5-45371-01	62
TEN01104	688-45371-02	62
TEN01105	6E5-45251	60
TEN01106	6E8-45251-00	60
TEN01107		60
TEN01108	6G1-45251-02	61
TEN01109		57
TEN01110		57
TEN01111		57
TEN01112	6G5-45251-01/02	58
TEN01112-1	6AW-45251	58
TEN01113	6H1-45251-01	58
TEN01114		60

YAMAHA

REF.	R.O./OEM	PAG
TEN01115	6H1-45251-03	58
TEN01116	6E8-45251-02	61
TEN01117	6L5-45251-02	61
TEN01118	6G1-45251-03	61
TEN01119	6T5-45371-00	62
TEN01120	6T5-45373-00-00	58
TEN01121	689-11325-00	59
TEN01122	6T4-45836-00	61
TEN01123	65W-45251-00 6E0-45251-11-00	60
TEN01124	61A-45371-00	62
TEN01125	6H1-45251-03	58
TEN01126		58
TEN01127	676-45251-00	57, 108
TEN01128	823913	57
TEN01129	6E5-45251	60
TEN01130		62
TEN01131	63D-45251-00	60
TEN01131	63D-45251-01	60
TEN01132	67C-45251-00	59
TEN01133 DX220	6J9-45371-01	62
TEN01134 SX220	6K1-45371-02	62
TEN01135	61N-45251-01	60
TEN01136	66M-45371-00	61
TEN01137	6G8-45251-00	60
TEN01138	6G8-45251-00	60
TEN01139	6T5-45251-00	60
TEN01140	67F-45371-00	62
TEN01141	67C-45371-00	62
TEN01142	68T-45251-00	59
TEN01143	6J9-45371-00	62
TEN01144	6K1-45371-00	61
TEN01145	69L-45371-00	61
TEN01146	67F-11325-00	59
TEN01146-1	67F-11325-00/01	59, 91
TEN01147	688-11325-00	59
TEN01148	6G8-11325-00	58
TEN01149	62Y-11325-00	58
TEN01150	6J8-11325-00	58, 104
TEN01151	66M-11325-00	59
TEN01152	6E5-11325-00	59, 93, 120
TEN01153	6E5-45371-00	61, 215
TEN01154AL	6AH-45251	60, 61
TEN01156	68V-11325-02	59
TEN01156-1	68V-11325-01	60
TEN01157	6U0-45251-00	60
TEN01158	6U4-45373-00	61
TEN01159	6U4-45251-00	58
TEN01160T	N51-11325-01	59
TEN01161	6BL-11325-00	58
TEN01162	682-11325-00	59
TEN01163	6BT-11325-00	58
TEN01164	63P-11325-11-00	59
TEN01165	63P-11325-21-00	58
TEN01166	676-11325-00	59, 108
TEN01167	63P-11325-01-00	59
TEN01168	61A-11325-00	58
TEN01169	6AW-45619-00	61
TRI305-0386		48
TRI305-0566		48
WI3116P4		127
WI31465A		126, 127
WI3146P4		126
WI3204P1		124, 130
WI3204PS		124, 130
WI3205P1		124
WI3205PS		124
WI3206P1		124, 130
WI3206PS		124, 130
WI3207P2		124, 130
WI3207PS		124, 130
WI3208P2		124, 130
WI3208PS		124, 130

ÍNDICE / TABLE OF CONTENTS / INDICE

R.O. / OEM --> REF

HONDA

R.O. / OEM	REF	PAG
01402CORR366JR3	TEN01401	299
06160-ZV4-U11	REC06160-ZV4-U11	306
06192-881-C00	REC06192-881-C00	309
06192-ZV1-000	REC06192-ZV1-000	309
06192-ZV1-305	REC06192-ZV1-305	309
06192-ZV1-C00	REC06192-ZV1-C00	309
06192-ZV4-000	REC06192-ZV4-000	309
06192-ZV5-003	REC06192-ZV5-003	309
06192-ZV7-000	REC06192-ZV7-000	309
06192-ZY3-000	REC06192-ZY3-000	309
06192-ZY6-000	REC06192-ZY6-000	309
061A1-ZV0-000	RM061A1-ZV0-000	305
061A1-ZV7-000	RM061A1-ZV7-000	305
064-45371-01	CM664-45371-01A	299
06411-ZV1-000	TEN01406	300
06411-ZV5-000	CM06411-ZV5-000 / A	299
06411-ZV5-000	TEN01404	300
06411-ZW1-000	CM06411-ZW1-000 / A	299
06412-ZV1-000	CM31640A	299
06412-ZV5-000	CM664-45371-01	299
08M60-ZW7-A00	SOL1531-143-17	313
08M60-ZW7-A10	SOL1531-140-19	313
08M60-ZW7-A20	SOL1531-140-21	313
08M60-ZW7-A30	SOL1532-140-21	313
08M60-ZW7-A40	SOL1531-140-23	313
	SOL1411-130-21	313
	SOL1413-125-21	313
	SOL1431-130-21	313
12155-ZV4-A00	TEN01408	300
12155-ZV5-000	CM6E0-45251-11A	299
	CM826134A	299
	TEN01408/1	300
12209-GB4-681	REC12209-GB4-681	305
12209-MB9-003	REC12209-MB9-003	305
12210-PZ1-004	REC12211-PZ1-004	305
12251-ZV7-004	REC12251-ZV7-004	304
12251-ZW1-014	REC12251-ZW1-014	304
12251-ZW4-H01	REC12251-ZV5-003	304
12251-ZW5-023	CHARC9MC4	304
14400-921-024	RM14400-921-024	305
14400-ZV4-004	RM14400-ZV4-004	305
14400-ZV5-004	RM14400-ZV5-004	305
14400-ZW1-004	RM14400-ZW1-004	305
15112-ZW5-003	REC15112-ZW5-003	304
15400-PFB-004	REC35-822626903	298
15400-PFB-007	REC5GH-13440-00	298
15400-PH1-F03	REC15400-PLM-A01PE	298
15400-PJ7-005	REC35-822626903	298
15400-PJ7-015	REC35-822626903	298
15400-PLM-A01PE	REC15400-PLM-A01PE	298
15400-PM3-004	REC35-822626903	298
15400-PM3-405	REC35-822626903	298
15400-POH-305	REC15400-PLM-A01PE	298
15400-POH-305PE	REC15400-PLM-A01PE	298
15400-RBA-F01	REC15400-RBA-F01	298
15400-ZJI-004	REC15400-PLM-A01PE	298
16010-ZV4-005	REC16010-ZV4-005	306
16010-ZW9-003	REC16010-ZW9-003	306
16011-881-741	REC16011-881-741	306
16011-ZV4-005	REC16011-ZV4-005	306
16201-881-850	REC16201-881-850	306
16221-ZV4-610	REC16221-ZV4-610	307
16221-ZW1-000	REC16221-ZW1-000	307
16221-ZW9-000	REC16221-ZW9-000	306
16900-GB2-005	REC16910-GB2-005	298
16900-SA5-004	REC16900-SA5-004	298
16900-SR3-004	REC16900-SR3-004	298
16900-ST5-993	REC16010-ST5-993	298
16910-ZV4-015	REC16910-ZV4-015	298
16911-ZY3-010	REC16911-ZY3-010	298
17105-ZY3-004	REC17105-ZY3-004	307
17105-ZY6-000	REC17105-ZY6-000	307
17109-ZY3-004	REC17109-ZY3-004	307
17109-ZY6-000	REC17109-ZY6-000	307
17151-ZW5-000	REC17151-ZW5-000	307
17384-ZW4-000	REC17384-ZW4-000	304
19021-ZW1-003	REC47-43026Q06	308, 309
19120-ZW1-303	REC47-43026Q02	308
19210-881-A02	REC19210-881-003	307
19210-ZV4-013	REC19210-ZV4-013	307
19210-ZV4-651	REC19210-ZV4-651	307
19210-ZV5-003	REC19210-ZV5-003	307
19210-ZV7-003	REC19210-ZV7-003	307
19210-ZW1-303	REC47-43026Q02	307
19210-ZW1-B04	REC19210-ZW1-B02	307
19210-ZW9-003	REC19210-ZW9-013	307
19210-ZW9-A31	REC19210-ZW9-A32	307
19210-ZY3-003	REC19210-ZY3-003	307
19211-ZV0-003	RM19211-ZV0-003	307

HONDA

R.O. / OEM	REF	PAG
19231-ZW1-003	REC8172761	308, 310
19232-881-850	REC19232-881-850	311
19232-ZV1-A10	REC19232-ZV1-A10	310
19232-ZV4-610	REC19232-ZV4-610	311
19232-ZW1-003	REC27-8172771	308, 311
19233-ZV5-000	REC19233-ZV5-000	311
19234-881-850	REC19234-881-850	311
19234-ZW1-003	REC27-430331	308, 311
19234-ZY3-000	REC19234-ZY3-000	311
19242-ZV5-000	REC19242-ZV5-000	311
19242-ZW1-003	GLM30320	308, 311
19300-881-741	REC19300-881-741	305
19300-881-761	REC19300-881-761	306
19300-ZV5-043	REC19300-ZV5-043	306
19300-ZW9-003	REC19300-ZW9-003	306
23172-ZW1-013	REC23172-ZW1-013	304
23172-ZW5-013	REC23172-ZW5-013	304
30520-PNA-007	REC30520-PNA-007	302
30520-PWC-S01	REC30520-PWC-003	302
30580-ZV4-023	REC30580-ZV4-013	302
31200-ZV5-013/003	ARC3446	301
31200-ZW1-004	PH130-0064	301, 302
31200-ZW5-003	PH130-0065	301, 302
31200-ZW9-802	REC31200-ZW9-802	300
31200-ZY3-003	PH130-0070	301
31200-ZY3A-0034	PH130-0070	301
31200-ZY6-003	REC31200-ZY6-003	301
31200-ZY9A-0031	REC31200-ZY6-003	301
31630-ZY3-003	REC31630-ZY3-003	301
35655-ZY3-013	REC35655-ZY3-013	302
35655-ZY9-003	REC35655-ZY9-003	302
35668-ZY6-003	REC35668-ZY6-003	302
36120-ZV5-821	PH200-T021	301
36120-ZW4-H12	REC36120-ZW4-H12	301
36120-ZY3-013	REC36120-ZY3-013	301
36120-ZY6-013	REC36120-ZY6-013	301
36120-ZY9-003	REC36120-ZY9-003	301
37510-PNB-003	REC37510-PNB-003	302
41106-935-812	CM6E0-45251-11	299
41106-935-812	TEN01402	300
41106-ZV4-650	TEN01402	300
41106-ZW-000	TEN01400	299
41106-ZW9-000	TEN01409	300
41106ZW909000	CM41106-ZW9-09000	299
41107-ZV1-003-ZA	TEN01411	300
41107-ZV5-000	TEN01403	300
41107-ZW1-B01ZA	TEN01410	300
41107ZW1003	CM31640	299
41107ZV500	CM41107-ZV500	299
41107ZW1-B01	CM41107-ZW1-B01	299
41109-ZV5-000	REC41109-ZV5-000	311
41109-ZW1-003	CM826134	299, 300
	TEN01405	299, 300
41109-ZW1-B00	CM41109-ZW1-B00	299, 300
	TEN01407	299, 300
41161-ZV5-000	REC41161-ZV5-000	311
58130-ZV0-841ZB	SOL6001-073-06P	313
58130-ZV4-030ZB	SOL3111-093-09	313
58130-ZV4-703ZB	SOL3111-093-08	313
58130-ZV5-000ZA	SOL3311-111-13	313
58130-ZV5-850ZA	SOL3311-114-12	313
58130-ZV5-860ZA	SOL3311-121-09	313
58130-ZV5-870ZA	SOL3311-111-14	313
58130-ZV7-000ZA	SOL5211-099-11	313
58130-ZV7-850ZA	SOL5211-099-09	313
58130-ZW1-W01ZA	SOL1411-140-11	313
58130-ZW1-W11ZA	SOL1411-140-11	313
58130-ZW1-W21ZA	SOL1412-138-13	313
58130-ZW1-W31ZA	SOL1411-135-15	313
58130-ZW1-W41ZA	SOL1412-133-17	313
58130-ZW1-W61ZA	SOL1411-133-17	313
	SOL1413-128-17	313
	SOL1431-133-17	313
	SOL1511-150-15	313
58233-ZY3-A13H	SOL1513-148-15	313
58233-ZY3-A15H	SOL1512-150-15	313
58233-ZY3-A17H	SOL1511-148-17	313
	SOL1513-145-17	313
58233-ZY3-A19H	SOL1511-145-19	313
	SOL1513-143-19	313
58233-ZY3-A21H	SOL1513-140-21	313
58233-ZY3-A22H	SOL1511-143-21	313
58233-ZY3-A23H	SOL1511-142-23	313
58233-ZY3-B17H	SOL1512-148-17	313
58233-ZY3-B19H	SOL1512-145-19	313
90301-ZW1-003	GLM21230	308
90508-ZW1-003	GLM21200	308, 311
90508-ZW1-003	GLM21271	311
90752-ZV5-003	REC90752-ZV5-003	310
90752-ZV7-000	REC90752-ZV7-000	310
90752-ZW1-003	REC90752-ZW1-B02	308

HONDA

R.O. / OEM	REF	PAG
90752-ZW1-B02	REC90752-ZW1-B02	310
90752-ZY3-003	REC90752-ZY3-003	310
91051-ZW1-003	GLM21820	308, 311
91053-ZW1-003	GLM11410	308, 311
91057-ZW1-003	GLM11420	308, 311
91251-ZW1-003	GLM85160	308, 310
91252-935-004	REC91252-935-004	310
91252-ZV1-003	REC91252-ZV1-003	310
91252-ZW1-003	REC26-76868	308, 310
91253-ZW1-003	REC26-816464 1	308, 310
91254-ZW1-003	GLM85170	308, 310
91351-ZW1-003	GLM85530	308, 310
91353-ZW1-003	GLM81275	308
91353-ZW1-003	REC25-457101	310
99105-20006-000	RAC33240	297
99105-20006-ASY	RAC120R-RAC-01	297
CEF500301	REC47-43026Q02	307
CEF500327	REC19210-881-003	307
CEF500328	REC19210-ZV4-013	307
CEF500337	REC19210-ZW1-B02	307
CEF500338	REC19210-ZV5-003	307
CEF500339	REC19210-ZV7-003	307
CEF500343	REC19210-ZV4-651	307
CEF500347	REC19210-ZW9-013	307
CEF500348	REC19210-ZW9-A32	307
CEF500391	REC19210-ZY3-003	307
REC90752-ZV4-650	REC90752-ZV4-650	310
RM06111-ZW1-020	RM06111-ZW1-020	305
YMM-2E227-00	RACS3227	297

SELVA

R.O. / OEM	REF	PAG
2500010	CM2500010	353
2500050	CM2500050	353
2500065	CM2500065	353
2501300	SOL2111-093-07	355
2504015	CM2504015	353
2505500	SOL2211-105-11	355
2505500	SOL2211-105-13	355
2505520	SOL2211-103-12	355
2505570	SOL2211-101-13	355
	SOL2411-130-21	355
2505840	SOL2413-125-21	355
	SOL2431-130-21	355
	SOL2411-138-13	355
2505860	SOL2411-140-11	355
	SOL2413-133-13	355
2505895	SOL2311-125-14	355
	SOL2411-130-19	355
	SOL2411-133-17	355
	SOL2411-135-13	355
	SOL2413-125-19	355
2506020	SOL2413-128-17	355
	SOL2413-130-15	355
	SOL2431-130-19	355
	SOL2431-133-17	355
	SOL2431-135-15	355
2506030	SOL2431-133-17	355
2506050	SOL2311-123-15	355
2506060	SOL2311-120-17	355
9005655	CM9005655	353
9005660	CM9005660	353
9005665	CM9005665	353
25010151	CM82795M	353
41811-98400	CM55320-98400	353
41811-98500	CM55320-98500	353
55300-95500	CM55300-95500	353
55320-94900	CM55321-94900 / A	353
663-45941-01-EL	SOL3311-110-17	355
663-45943-02-EL	SOL3311-110-15	355
663-45945-02-EL	SOL3311-111-13	355
663-45947-02-EL	SOL3311-116-11	355
663-45949-01-EL	SOL3311-110-16	355
663-45952-02-EL	SOL3311-114-12	355
663-45956-01-EL	SOL3311-121-09	355
663-45958-01-EL	SOL3311-111-14	355
664-45945-00-EL	SOL3211-099-10	355
688-45930-02-98	SOL3431-133-17	355
688-45970-03-98	SOL3431-130-19	355
688-45972-02-98	SOL3453-130-19	355
688-45978-90-98	SOL3431-130-21	355
	SOL3411-130-19	355
	SOL3413-125-19	355
6E5-45941-00		

SELVA

R.O./OEM	REF	PAG
6E5-45949-00-EL	SOL3411-138-13 SOL3413-133-13	355
6E5-45954-00-EL	SOL3411-140-11	355
6G1-45941-00-EL	SOL3011-085-09	355
6G1-45943-00-EL	SOL3011-085-08	355
6G1-45947-00-EL	SOL3011-085-07	355
6G5-45941-00-98	SOL3511-150-15 SOL3513-148-15 SOL3511-145-19	355
6G5-45945-01-98	SOL3513-143-19 SOL3511-148-17	355
6G5-45947-01-98	SOL3513-145-17 SOL3511-142-23	355
6G5-45949-00-98	SOL3511-143-21 SOL3512-150-15 SOL3514-148-15	355
6G5-45952-00-98	SOL3512-145-19 SOL3514-143-19	355
6K1-45945-01-98	SOL3512-148-17 SOL3514-145-17	355
6K1-45947-00-98	SOL3514-145-17	355
CEF500304		356
CEF500316	REC6H3-44352-00	356,357
CEF500363	REC63V-44352-01	356
CEF500364	REC67F-44352-00	356
CEF500368	REC68T-44352-00	356
CEF500371	REC6E5-44352-01	356
CEF500375		356
CEF500376		356
CEF500385G	REC6H4-44352-02	356
CEF500386		356
CEF500387		356
SOL3111-093-08	SOL3111-093-08	355
SOL3111-093-09	SOL3111-093-09	355
SOL3111-093-10	SOL3111-093-10	355
SOL3111-093-11	SOL3111-093-11	355

SUZUKI

09160-20027	REC09160-20027	284
09160-20041	REC09160-20041	284
09160-20042	REC09160-20042	284
09160-20043	REC09160-20043	284
09160-20044	REC09160-20044	284
09160-20052	REC09160-20052	273
09160-21009	REC09160-21009	284
09160-26015	REC09160-26015	284
09160-27008	REC09160-27008	272,273
09181-24001	REC09181-24001	273
09262-25078	REC09262-25078	274
09262-30055	REC09262-30055	274
09263-14014	REC09263-14014	273
09263-14022	REC09263-14022	273
09263-14022	REC09263-18016	273
09263-20051	REC09263-20051	273
09263-20072	REC09263-20072	272,273
09263-24018	REC09263-24018	273
09263-27005	REC09263-27005	272,273
09269-30012	REC09269-30012	272,274
09282-10008	REC09282-10008	277
09282-12008	REC09282-12008	277
09282-12010	REC09282-12010	277
09282-15008	REC09282-15008	278
09282-17005	REC09282-17005	278
09282-17009	REC09282-17009	278
09283-10003	REC09283-10003	278
09283-10009	REC09283-10009	278
09283-17002	REC09283-17002	278
09283-20018	REC09283-20018	278
09283-20045	REC09283-20045	278
09283-25035	REC09283-25035	278
09283-25075	REC09283-25075	278
09283-25076	REC09283-25076	278
09283-30062	REC09283-30062	272,278
09283-30064	REC09283-30064	278
09283-35043	REC09283-35043	272,278
09289-10005	REC09289-10005	278
09289-12002	REC09289-12002	278
09289-17004	REC09289-17004	278
09289-17006	REC09289-17006	278
09289-20009	REC09289-20009	278
09289-22007	REC09289-22007	279
09289-30008	REC09289-30008	279
09381-14001	REC09381-14001	273
09381-18002	REC09381-18002	273
09381-20003	REC09381-20003	272,273
09420-03005	REC09420-03005	282
11130-94600	CM11130-94600	264
11130-94600	CM11130-94600A	264
11130-94600	TEN01205	266
11141-87D90/87D61	GLM36200	275
11141-87D90/87E20	GLM36220	275
11141-87D92/87D32	GLM36210	275

SUZUKI

R.O./OEM	REF	PAG
11141-90J00	REC11141-90J01	275
11141-90J01	REC11141-90J01	275
11141-92D20	REC11141-92D20	274, 275
11141-92J00	REC11141-92J01	275
11141-93950	REC11141-93960	274, 275
11141-93E20	REC11141-93E20	275
11141-93J03	REC11141-93J10	275
11141-94440	REC11141-94450	275
11141-94450	REC11141-94450	274
11141-94506/94620	GLM36230	275
11141-94701/94720	GLM36250	274
11141-95505/95621	GLM36260	274
11141-95D40	REC11141-95D40	274, 275
11141-95J00	REC11141-95J00	275
11141-96343	REC11141-96344	274, 275
11141-96344	REC11141-96303	274, 275
11141-97JL0	REC11141-97J02	275
11141-98130	REC11141-98130	274
11141-98130	REC11181-98130	275
11141-98411	REC11141-98401	274, 275
11141-98J01	REC11141-98J10	275
11142-93J03	REC11142-93J10	275
11142-98J00	REC11141-98J10	275
11142-98J00	REC11142-98J10	275
11162-94410	REC11162-94410	275
11433-93901	REC11433-93912	276
11433-94412	REC11433-94412	276
11433-96302	REC11433-96303	276
11434-94411	REC11434-94411	277
11489-90J00	REC11489-90J00	276
11489-93E10	REC11489-93E11	276
11489-93J00	REC11489-93J00	276
12110-93130	REC12110-93130K	273
12140-93121	REC12140-93121	273
12140-94400	REC12140-94400	272, 273
12151-93100	REC12151-931000	272, 273
12151-94400	EC12151-94400	273
12161-93902	REC12161-93902	273
12161-94400	REC12161-94400	272, 274
12161-96300	REC12161-96300	272, 274
12221-94412	REC12221-94412	272, 274
12231-94413	REC12231-94413	272, 274
12232-94412	REC12232-94412	272, 274
12240-94432	REC12240-94432	272, 274
12778-93J00	REC12778-93J00	276
13119-93J00	REC13119-93J00	276
13122-95J00	REC13122-95J00	276
13147-98J00	REC13147-98J00	276
13421-98J00	REC13421-98J00	277
13910-87D00	REC13910-87D00	279
13910-89J01	REC13910-89J01	279
13910-94400	REC13910-94400	279
13910-94701	REC13910-94701	279
13910-95D00	REC13910-95D00	279
14151-93901	REC14151-93912	277
14151-93J00	REC14151-93J00	277
14151-94412	REC14151-94411	277
14151-96310	REC14151-96311	277
14152-93J00	REC14152-93J00	277
14212-93J00	REC14212-93J00	277
14212-94412	REC14212-94413	277
15170-91J00	REC15170-91J00	279
15170-93920	REC15170-93911	279
15170-94320	REC15170-94320	279
15170-94J00	REC15170-94J00	279
15170-98110	REC15170-98110	279
15170-99E00	REC15170-99E00	279
15200-96J00	REC15200-96J00	279
15410-87J00	REC15410-87J00	262,286
15410-87J10	REC15410-87J10	262
15410-87J30	REC15410-87J30	262, 286, 287
15410-87L00	REC15410-87L00	262,286
15410-94400	PAF15-07080000	262
15410-96J00	REC15410-96J00	262,287
15410-98500	REC15410-98500	262,286
15412-93J00	REC65L-24563-00	262,287
16433-93J00	REC16433-93J00	277
16510-05240	REC16510-05240	262,263
16510-45H10	REC16510-05240	262,286
16510-61A20-MHL	REC16510-90J00	262
16510-82703	REC16510-82703	262,263
16510-87J00	REC16510-87J00	262, 263, 286
16510-90J00	REC16510-90J00	262, 263, 287
16510-92J00	REC16510-82703	262,263
16510-93J00	REC16510-96J00	263
16510-96J00	REC16510-96J00	262,263, 287
17400-87D10	REC17400-87D11	281
17400-87E03	REC17400-87E04	281
17400-90J11	REC17400-90J20	282
17400-92D01	REC17400-92D01	281
17400-92D11	REC17400-92D01	281
17400-93950	REC17400-93951	281

SUZUKI

R.O./OEM	REF	PAG
17400-93J00	REC17400-93J01	281
17400-93J01	REC17400-93J01	281
17400-94611	REC17400-94611	281
17400-94700	REC17400-94701	281
17400-94701	REC17400-94701	281
17400-95350	REC17400-95351	281
17400-95351	REC17400-95351	281
17400-95550	REC17400-95351	281
17400-96350	REC17400-96403	281
17400-96403	REC17400-96403	281
17400-98551	REC17400-98551	282
17400-98652	REC17400-98652	282
17400-98661	REC17400-98652	282
17400-98661	REC17400-98661	281
17400-98J00	REC17400-98J01	281
17400-98J01	REC17400-98J01	281
17411-93901	REC17411-93901	281
17411-94421	REC17411-94421	281
17451-96301	REC17461-96312	280
17452-93910	REC17452-93910	282
17461-87E10,11,12	REC17461-87E12	280
17461-90J00		280
17461-90J01		280
17461-92D02	REC17461-92D02	280
17461-93001,2,3,4	REC17461-93004	280
17461-93901,2,3	REC17461-93903	280
17461-93J00		280
17461-94510		280
17461-94700,1	REC17461-94700	280
17461-95200	REC17461-94700	280
17461-95501,95300	REC17461-95300	280
17461-96301	REC17461-96312	280
17461-96310	REC17461-96312	280
17461-96312	REC17461-96312	280
17461-97110	REC17461-97110	280
17461-98501,2,3	REC17461-98503	280
17462-93990	REC17462-93990	282
17471-93902	REC17471-93902	282
17471-94401	REC17471-94401	282
17472-91J00	REC17472-91J00	282
17472-92D10	REC17472-92D10	283
17472-93911	REC17472-93911	283
17472-93J00	REC17472-93J00	282
17472-94510	REC17472-94510	283
17472-95200	REC17472-95200	283
17472-95310	REC17472-95310	283
17472-96301	REC17472-96303	282
17472-98503	REC17472-98503	283
17472-98611	REC17472-98611	283
17472-98J00	REC17472-98J00	282
17693-95J00	REC17693-95J00	277
25142-94520	REC25142-94520	283
25700-87D00	REC25700-87D00	283, 284
25700-90J01	REC25700-90J01	283, 284
25700-92J00	REC25700-92J00	283, 284
25700-93J00	REC25700-93J00	2

SUZUKI

R.O./OEM	REF	PAG
32800-95D01	REC32800-95001	268
32900-93902	REC32900-93903	268
32900-93911	REC32900-93910	268
32900-94401	REC32900-94480	268
32900-94421	REC32900-94480	268
32900-94460	REC32900-94460	268
32900-94480	REC32900-94480	268
32900-96340	REC32900-96340	268
32900-96350	REC32900-96371	268
32900-96370	REC32900-96371	268
32900-96371	REC32900-96371	268
33410-93E10	REC33410-94400-000	268
33410-94400-000	REC33410-94400-000	268
37100-87J00-OEP	REC38100-87J00	267
37110-99E00	REC37110-99E00	269
37800-93953	REC37800-9354	269
37800-93954	REC37800-9354	269
37820-92E00	REC37820-92E03	269
37830-89E02	REC37830-89E03	269
37830-95000	REC37830-89E03	269
38100-87D00, 02H	REC38100-87E10-OED	268
38100-87D00, OIT	REC38100-87E10-OED	268
38100-87D10-35J	PH200-T024	268
38100-87D10-OED	PH200-T024	268
38100-87D10-OIT	PH200-T024	268
38100-87E10-OED	REC38100-87E10-OED	268
38100-87J11	PH200-T046	267
38100-87J20	PH200-T046	267
38100-87JOEP	REC38100-87J00	267
38100-92E00-OED	PH200-T024	268
38100-92J01	REC38100-96J00	267
38100-92J02	REC38100-96J00	267
38100-92J10	REC38100-96J00	267
38100-93J02	REC38100-96J00	267
38100-95E01-OED	REC38100-99E01-OEP	268
38100-96J00	REC38100-96J00	267
38100-96J01	REC38100-96J00	267
38100-99E01-OEP	REC38100-99E01-OEP	268
41810-87D00	TEN01203	265
41811-98500	CM41811-98500	263
41811-98500	TEN01210/1	265
43211-87JL0	REC43211-87JL0	285
43211-94401	REC43211-94401	285
48600-94511OED	SIE18-6865	267
51123-93J00	REC51123-93J00	276
51142-93J00	REC51142-93J00	276
51211-90J22	REC51211-90J10	276
51211-93J00	REC51211-93J00	276
52113-93901	REC52113-93910	277
52113-96304	REC52113-96330	277
52331-87L00	REC52331-87L00	277
55120-87801	TEN01211	265
55122-88L00	REC55122-94400	283
55125-87D00	TEN01211	265
55125-87E01	CM55125-87E01	263
55125-90J00	CM55125-96J00	264
55125-90J01	CM55125-90J01	264
55125-90J01	TEN01215	265
55125-94502	CM55125-94502	264
55125-95301	CM55125-95301 / A	264
55125-95301	TEN01201	265
55125-95500	CM55125-95500	264, 286
55125-96310	CM55125-96310 / A	264, 286
55125-96310	TEN01200	265
55300-95500	CM55300-95500	263, 286
55300-95500	TEN01208	265
55320-93900	CM55320-87D00 / A	263
55320-93900	CM55321-93900 / A	263
55320-94900	CM55321-94900 / A	263
55320-94900	TEN01214	265, 286, 287
55320-95310	CM55320-95310 / A	264
55320-95310	TEN01204	265
55320-98311	TEN01204	265
55320-98400	CM55320-98400	263
55320-98400	TEN01210	265
55320-98600	CM55320-98600	264
55320-98600	TEN01202	266
55321-87J00	CM55321-87J00	263, 286, 287
55321-87J00	TEN01213	265
55321-90J01	CM55321-90J01	264, 286, 287
55321-90J01	TEN01212	265
55321-93900	TEN01206	266
55321-94502	TEN01209	266
55321-95500	TEN01207	266
56130-94413-OEP	REC56130-94413-OEP	282
57630-92E00	REC57630-92E00	285
57630-94300	REC57630-94300	285
57630-94500	REC57630-94500	285
57630-96300	REC57630-96300	285
58100-90J00-019	SOL3411-139-17	288
58100-90J00-019	SOL3413-138-17	288
58100-90J00-019	SOL3451-139-17	288
58100-90J10-019	SOL3411-139-19	288
58100-90J10-019	SOL3413-138-19	288

SUZUKI

R.O./OEM	REF	PAG
58100-90J10-019	SOL3451-139-19	288
58100-90J20-019	SOL3411-139-21	288
58100-90J20-019	SOL3413-138-21	288
58100-90J20-019	SOL3451-139-21	288
58100-90J22-019	SOL3451-139-23	288
58100-90J40-019	SOL3413-138-15	288
58100-94302-019	SOL4311-121-09	288
58100-94313-019	SOL4311-116-13	288
58100-94500-019	SOL4411-135-15	288
58100-94500-019	SOL4413-130-15	288
58100-94500-019	SOL4431-135-15	288
58100-94512-019	SOL4411-133-17	288
58100-94512-019	SOL4413-128-17	288
58100-94512-019	SOL4431-133-17	288
58100-94522-019	SOL4411-130-19	288
58100-94522-019	SOL4413-125-19	288
58100-94522-019	SOL4431-130-19	288
58100-94532-019	SOL4411-130-21	288
58100-94532-019	SOL4413-125-21	288
58100-94532-019	SOL4431-130-21	288
58100-94554-019	SOL4431-135-15	288
58100-94561-019	SOL4431-130-19	288
58100-94571-019	SOL4431-130-21	288
58100-94581-019	SOL4431-133-17	288
58100-95212-019	SOL4311-120-10	288
58100-95222-019	SOL4311-118-11	288
58100-95353-019	SOL4311-116-14	288
58100-95363-019	SOL4311-110-15	288
58100-95393-019	SOL4311-116-12	288
58100-95511-019	SOL2431-135-15	288
58100-95521-019	SOL2431-133-17	288
58100-95530-019	SOL2431-130-19	288
58100-95D00-019	SOL4211-100-14	288
58100-96410-019	SOL4211-110-09	288
58100-96420-019	SOL4211-105-11	288
58100-96430-019	SOL4211-103-12	288
58100-96440-019	SOL4211-101-13	288
58100-96460-019	SOL4211-100-15	288
58200-87D01-019	SOL4513-145-17	288
58200-87D01-019	SOL4551-148-18	288
58200-87D02-019	SOL4552-148-18	288
58200-87D11-019	SOL4513-143-19	288
58200-87D11-019	SOL4551-148-20	288
58200-87D12-019	SOL4552-148-20	288
58200-87D21-019	SOL4513-140-21	288
58200-87D21-019	SOL4551-143-22	288
58200-87D22-019	SOL4552-143-22	288
58200-87D61-019	SOL4513-148-15	288
58200-87D61-019	SOL4551-148-16	288
58200-87D62-019	SOL4552-148-16	288
63610-89E01-000	REC63610-89E01	269
63610-93501-000	REC63610-93501	269
63610-94402-000	REC63610-94402	269
63610-96302-000	REC63610-96302	269
63610-96321-000	REC63610-96321-000	269
65720-94410	GS31089	259
65720-94411	GS31038	259
65720-986B0	GS31089	259
65750-95500	GS31071	259
65750-95500	GS31072	259
65750-98505	GS31035	259
65750-98505	GS31036	259
99105-00100-16P	SOL4431-135-15	288
99105-00100-18P	SOL4431-133-17	288
99105-00100-20P	SOL4431-130-19	288
99105-00100-22P	SOL4431-130-21	288
99105-00192	GS31037	259
99105-00193	GS31070	259
99105-00200-16P	SOL4511-150-15	288, 289
99105-00200-16P	SOL4551-148-16	288
99105-00200-18P	SOL4511-148-17	288
99105-00200-18P	SOL4551-148-18	288
99105-00200-20P	SOL4511-145-19	288
99105-00200-20P	SOL4551-148-20	288
99105-00200-22P	SOL4511-143-21	288
99105-00200-22P	SOL4551-143-22	288
99105-00200-24P	SOL4511-142-23	288
99105-00200-24P	SOL4551-140-24	288
99105-0020L-16P	SOL4512-150-15	288
99105-0020L-16P	SOL4552-148-16	288
99105-0020L-18P	SOL4512-148-17	288
99105-0020L-18P	SOL4552-148-18	288
99105-0020L-20P	SOL4512-145-19	288
99105-0020L-20P	SOL4552-148-20	288
99105-0020L-22P	SOL4512-143-21	288
99105-0020L-22P	SOL4552-143-22	288
99105-0020L-24P	SOL4512-142-23	288
99105-0020L-24P	SOL4552-140-24	288
99105-00700-18P	SOL3451-139-17	288
99105-00700-20P	SOL3451-139-19	288
99105-00700-22P	SOL3451-139-21	288
99105-00700-24P	SOL3451-139-23	288
99105-0070L-18P	SOL3452-139-17	288

SUZUKI

R.O./OEM	REF	PAG
99105-0070L-20P	SOL3452-139-19	288
99105-0070L-22P	SOL3452-139-21	288
99105-20006-000	RACS3240	261
99105-20006-ASY	RAC120R-RAC-01	261
CEF500312		280
CEF500319	REC17461-92D02	280
CEF500329	REC17461-93903	280
CEF500336	REC17461-98503	280
CEF500360	REC17461-95300	280
CEF500361	REC17461-94700	280
CEF500362G	REC17461-96312	280
CEF500365	REC17461-87E12	280
CEF500367		280
CEF500393		280
CEF500398	REC17461-93004	280
CEF500399		280
YMM-2E227-00	RACS3227	260,261

TOHATSU

101-00121-0	REC25-803514	324
172-36008-0	PAF8-05000003	339
309-00131-0	PAT3.6-04000006	329, 331
309-01005-2	REC309-01005-2	341
309-60111-0	PAF8-04000101	333
309-65021-1	CEF500396	345
332-00021-0	PAF8-05020105	330
332-00021-0	REC41-825713002	340
332-00021-0	REC41-825713002	325
332-00024-0	9.9/15 HP	340
332-60005-2	PAF8-05020105	333
332-60006-0	PAF4-03000023	333
332-60006-0	PAF8-03000024	333
332-62101-0	PAF4-01010003	337
332S62102-1	PAF4-01010004	337
334-00024-1	REC53-16057	324, 325, 326, 327, 340
334-00061-0	REC8130461	326
334-00131-0		325
336-00040-1	REC629-813047T01	326, 340
338-00042-0	REC31-8036752	324, 340
338-60218-2	CM33860-2181	319
338-60218-2	TEN01250	319, 346
344-67177-0	PAJB/T7940, 1-M6	337
345-00042-0	REC345-00042-0	326, 327, 340
345-00113-0	REC30-16049T01	326
345-62441-0	PAF8-01000100	337
345-65015-0	PAF8-04040002	333
345-65021-0	CEF500382	345, 346
345-65021-0	CEF500379	345
345-87122-0	REC84419M	344
346-00001-1	REC779-879194T01	326, 340
346-00011-0	REC39-16054A5	326, 340
346-00011-0	REC8M0080349	327, 340
346-01005-0	REC346-01005-0	341
346-01032-0	PAF8-05010005	328
346-01215-0	REC26-8537072	343
346-60111-0	REC26-161301	343
346-62421-1	PAF8-01010102	337
346-64101-5	SOL5211-099-09	348
346-64102-5	SOL5211-099-10	348
346-64103-5	SOL5213-102-11	348
346-64104-5	SOL5211-099-13	348
346-64106-5	SOL5213-100-13	348
346-65013-0	REC26-161622	343
346-67114-0	PAF8-05000018	335
346-76010-0A0/OM	PH130-0080	320
348-87122-0	REC6H3-W0093-01	344
348-60217-0	CM348-60217-0M	319
348-60217-0	TEN01252	319
348-64102-0	SOL5311-116-11	348
348-64102-0	SOL5313-111-11	

TOHATSU

R.O./OEM	REF	PAG
350-65025-0	PAF8-04000007	345
350-76010-0	PH130-0061	320
351-00001-0	REC779-803677	340
351-00001-1	REC779-803677	325
351-00011-0	REC8M0080357	323, 325, 340
351-01005-0	REC351-01005-0	341
353-06260-0	REC353-06260-0	321
353-06260-2	REC353-06260-0	321
353-76010-4	PH130-0048	320
356-00043-0	REC31-8130482	326
361-64113-0	SOL5311-122-08	348
361-64114-0	SOL5311-121-09	348
362-64103-0	SOL5313-118-09	348
362-64103-0	SOL5111-093-08	348
362-64105-0	SOL5111-093-09	348
362-64105-0	SOL5111-093-07	348
362-64108-0	SOL5111-093-10	348
363-06060-0	REC353-06260-0	321
369-00001-0	REC779-9615T	323, 340
369-00021-0	REC41-16056	323, 340
369-00040-0	REC629-813047	323, 340
369-00043-0	REC31-813048	323
369-00061-0	REC813046002	323
369-00122-0	REC26-16051	323
369-00132-0	PAF8-05000024	338
369-01215-0	REC26-16703	343
369-02230-0	PAF4-05000300	318, 346
369-03231-0	REC16253	344
369-03302-0	REC27-16274	345
369-03303-0	REC16275	344
369-03306-0	REC16325	344
369-03307-0	REC27-16326	345
369-06021-0	REC369-06021-0	321
369-60111-0	PAF8-04040004	333
369-60218-1	TENO1251	319
369-60223-0	REC26-16162	343
369-62122-2	PAF8-01010200	337
369-62439-1	PAF8-01010105	337
369-64014-0	PAF8-04000012-1	333
369-64015-0	PAF8-04000012-2	333
369-64032-0	PAF8-04000012	333
369-64121-0	PAF15-0600016	333
369-64223-0	PAF8-04000305	333
369-65011-0	REC16157	346
369-65021-1	CEF500377	345, 346
369-65025-0	REC16159	346
369-66112-1	PAF8-01010104	337
369-84398-0	PAF8-05000025	328
369-87122-1	REC6G1-W0093-00	344
393-62437-0	PAF8-01010103	337
394-702500M	GS31015	318
398-06830-0	REC369-0682-0	321
398-62103-0	PAF4-01010002	337
3A0-06040-1	REC3A0-06040-1	322
3A0-76079-0	PAF8-05000006	338
3A106-2402M	REC3A106-2602M	321
3A106-2601M	REC3A106-2602M	321
3AA-05004-0	PAF8-05050004	339
3AA-05013-0	PAF8-05050018	339
3AA-05019-0	PAF4-04130101	339
3AA-06021-0	PAF8-05000300	321, 338
3AA-06060-0	PAF8-05000400	321, 338
3AA-06091-0	PAF8-05000600	338
3AA-07203-0	PAF8-05030005	329
3AA-07225-0	PAF8-05030009	329
3B1-66145-0	PAF8-03010007	335
3B2-00001-0	REC779-804886	324, 340
3B2-00011-0	REC39-803678A3	324, 340
3B2-00021-0	REC41-8036801	324
3B2-00040-0	REC629-8036741	324, 340
3B2-00051-0	REC26-85370711	324
3B2-0021-0	REC41-8036801	340
3B2-0061-0	REC803671	324
3B2-01005-0	REC3B2-01005-0	341
3B2-01215-0	PAF8-02000002	334
3B2-01303-0	REC3B2-01303-0	342
3B2-63600-1	REC804898	344
3B2-64010-0	PAF8-04010000	333, 346
3B2-64020-0	PAF8-04000003	333, 346
3B2-64023-0	PAF8-04000004-1	333
3B2-64030-0	PAF8-04000014	333, 346
3B2-64215-0	PAF8-04000303	333, 346
3B2-64230-1	PAF8-04000019	333
3B2-64513-0	SOL5011-085-07	348
3B2-64515-0	SOL5011-085-08	348
3B2-64517-0	SOL5011-085-09	348
3B2-65011-0	PAF8-04000010	333, 346
3B2-65016-0	PAF8-04000009	333
3B2-65018-0	PAF8-04000013	333
3B2-65020-0	PAF8-04000008	333
3B2-65020-0	PAF8-04000005	333
3B2-65021-1	CEF500344	345, 346
3B2-65021-1	PAF8-04000200	333
3B2-65022-0	PAF8-04000021	333
3B2-65025-0	PAF8-04000007	333
3B2-65029-0	PAF8-04000006	333
3B2-66113-0	PAF8-03010005	335

TOHATSU

R.O./OEM	REF	PAG
3B2-66315-0	PAF8-01010109	337
3B2-66321-1	PAF8-01010108	337
3B2-702501M	GS31088	318
3B2-702501M	GS31018	318
3B2-702810M	GS31016	318
3B2-87321-0	REC3B2-87321-0	345
3B2S60100-0	PAF8-04040000	333
3B2S60101-0	PAF8-04040001	333
3B2W64517-0	PAF8-04050000	333
3B7-01303-0	REC3B7-01303-0	342
3B7-02305-1	REC3B7-02305-1	342
3B7-06305-0	PAF8-05000007	338
3B7-60217-0	CM3B7-602170	319
3B7-60217-0	TENO1255	320, 346
3B7-60217-0	TENO1260	318
3B7-60218-1	CM3B7-60218-0	318
3B7-60218-1	TENO1256	319, 346
3B7-64527-1	SOL3411-138-13	348
3B7-65021-2	SOL3413-133-13	348
3B7-65021-2	CEF500388	345, 346
3B7-87121-7	REC3B7-87121-1	342
3C7-60218-2	TENO1254	319
3C7-64536-0	SOL3411-135-15	348
3C7-64536-0	SOL3413-130-15	348
3C7-64536-0	SOL3431-135-15	348
3C7-64541-0	SOL3411-133-17	348
3C7-64541-0	SOL3413-128-17	348
3C7-64541-0	SOL3431-133-17	348
3C7-64541-0	SOL3411-130-19	348
3C7-64541-0	SOL3413-125-19	348
3C7-64541-0	SOL3431-130-19	348
3C7-65021-1	CEF500388	345
3C7760-2181	CM3C760-2181 / A	318
3C8-00001-3	REC779-9615T00	327
3C8-00001-3	REC779-9615 2	340
3C8-00021-0	REC41-803680003	326, 327, 340
3C8-00113-0	REC31-855553	327
3C8-01005-4	REC3C8-01005-4	341
3C8-01024-0	REC3C8-01024-0	343
3C8-01303-4	REC3C8-01303-4	342
3C8-02104-0	REC3C8-02104-0	343
3C8-02305-0	REC3C8-02305-0	343
3C8-03125-0	REC162532	344
3C8-04018-0	REC27-855569	344
3C8-04028-0	REC27-8555691	345
3C8-60217-1	CM3C8-60217-0	319
3C8-60217-1	TENO1253	319, 346
3C8-62104-1	PAF4-01001005	337
3C8-66116-0	PAF8-03010006	335
3C8-76010-1	PH130-0006	320
3E3-64528-0	SOL5311-111-13	348
3E3-64528-0	SOL5313-105-13	348
3E3-64536-0	SOL5311-111-14	348
3E3-64536-0	SOL5313-105-14	348
3F0-06060-0	REC3F0-06060-0	321
3F0-06153-0	REC3F0-06153-0	322
3F0-65029-6	REC3F0-65029-0	345
3F3-01005-0	REC3F3-01005-0	341
3F3-01024-0	REC3F3-01024-0	343
3F3-01303-1	REC3F3-01303-1	342
3F3-02104-0	REC3F3-02104-0	343
3F3-02305-1	REC3F3-02305-1	342
3F3-87121-7	REC3F3-87121-1	342
3F3-03100-0	PAF8-05040000	344
3G2-06040-2	REC3G2-06040-2	322
3G2-06060-2	REC3G2-06060-2	321
3G3-06021-1	REC3G3-06021-1	321
3G4-00043-0	REC31-803675	325
3H6-07223-0	PAF8-05030007	329
3H6-07611-0	PAF15-07010100	322, 338
3H6-07612-0	PAF15-07010101	338
3H6-60218-0	CM3H6-60218-000 / A	318
3H6-60218-0	TENO1259	320, 346
3H8-02093-0	PAF8-05010002	328
3H8-07025-0	PAF8-05030011	329, 331
3H8-07226-0	PAF8-005030010	329
3H8-07237-0	PAF15-07040304	329
3H8-10062-2	PAF8-05030400	337
3K9-05223-0	PAF8-01010112	331
3M2-60218-0	CM3M2-60218-1	319
3R0-07238-0	PAF15-07040303	329
3R0-07615-0	REC5GH913440-00	318
3R0-66308-0	PAF8-05000021	338
3R1-05003-1	PAF8-05050006	339
3R1-05007-0	PAF8-05050009	339
3R1-05012-0	PAF8-05050007	339
3R1-05125-0	PAF8-05050003	339
3R1-05131-0	PAF4-04130102	339
3R3-01030-0	REC85676002	345, 346
3R3-07227-0	PAF8-05030015	329
3R3-07405-1	PAF15-04000002	334
3R3-07406-0	PAF15-04000003	334
3R3-61017-0	PAF8-00000003	328
3R3R76150M	REC5GH913440-00	318
3T5-06920-0	PAF8-05000011	338
3T5-10131-0	PAF4-04000019	330
3T5-87121-6	REC3T5-87121-6	341

TOHATSU

R.O./OEM	REF	PAG
3T9-01005-0	REC3T9-01005-0	341
3T9-01024-0	REC3T9-01024-0	343
3T9-01032-0	REC3T9-01032-0	345
3T9-02104-0	REC3T9-02104-0	343
3V1-00001-0	PAF8-05020101	330, 340
3V1-00030-1	PAF8-05020001	330
3V1-00040-0	PAF8-05020200	330, 340
3V1-00121-0	PAF8-05010012	330
3V1-01024-0	PAF8-05000002	329
3V1-01303-0	PAF8-00000004	328
3V1-02010-1	PAF8-05000008	331
3V1-02011-0	PAF15-07000017	331
3V1-02104-0	PAF8-05000009	331
3V1-02305-0	PAF8-05000100	329
3V1-02305-0	PAF8-05010004	328
3V1-03952-0	PAF15-07000018	331
3V1-05104-1	PAF8-05050005	339
3V1-05259-0	PAF8-05050002	339
3V1-06023-0	PAF8-05090000W	321
3V1-06040-0	PAF8-05000500	321, 338
3V1-06071-0	PAF8-05000200	321, 338
3V1-06302-0	PAF8-05000013	339
3V1-06308-0	PAF8-05000012	339
3V1-07010-0	PAF8-05030008	329, 331
3V1-07201-0	PAF8-05030001	329
3V1-07202-0	PAF8-05030002	329
3V1-07205-0	PAF8-05030004	329
3V1-07221-0	PAF8-05030006	329
3V1-07235-0	PAF8-05030201	329
3V1-07407-0	PAF8-05010009	330
3V1-07410-0	PAF8-05000800	328
3V1-07421-0	PAF8-00000200	328
3V1-07440-0	PAF8-02000003	334
3V1-07600-0	PAF8-05030300	329, 331
3V1-07653-0	PAF8-05030012	329, 331
3V1-10045-0	PAF8-05000004	331, 346
3V1-10060-0	PAF8-05010014	331
3V1-10063-0	PAF8-05010015	331
3V1-10068-0	PAF8-05010016	331
3V1-60041-0	PAF8-04000016	333
3V1-60042-0	PAF8-04000015	333
3V1-60211-0	PANSKFJ-1516	333
3V1-61208-0	PAF8-02000005	334
3V1-61220-0	PAF8-02000004	334
3V1-61301-1	PAF8-02000100	337
3V1-61302-0	PAF8-00000002	337
3V1-61313-0	PAF8-01000003	337
3V1-61324-0	PAGB/T889-1-M8	337
3V1-61333-1	PAF8-00000100	337
3V1-63508-0	PAF8-05000020	335
3V1-63622-0	PAF8-05000019	335
3V1-64211-0	PAF8-04000301	333, 346
3V1-64221-0	PAF8-04000302	333
3V1-64306-1	PAF8-04020001 (S)	333
3V1-64307-1	PAF8-04020001 (L)	333
3V1-65100-0	PAF8-02000006 (S)	334
3V1-65110-0	PAF8-02000006 (L)	334
3V1-65203-0	PAF8-02000009	334
3V1-65206-0	PAF8-02000007	334
3V1-66187-0	PAF8-03010001	335
3V1-66211-0	PAF8-03000010	335
3V1-66225-0	PAF8-03010003	335
3V1-66302-0	PAF8-03000011	335
3V1-66313-0	PAF8-01010106	337
3V1-87121-0	REC3V1-87121-0	341
3V1-87123-0	REC8M0080346	340
3V1602170	CM3V1-60217-0 / A	318

YAMAHA

REF.	R.O./OEM	PAG
823913	TEN01128	57
30X-12117-00	PAF15-07040006	85, 89
30X-12118-00	PAF15-07040007	85, 89
3FV-13440-00	REC3FV-13440-00	53
40105-06M14-00		77
40105-06M25-00		77
50M-14355-00	REC50M-14355-00	160
51Y-12119-00	PA166F-010003	75
51Y-12119-00	PAF25-05050005	89
51Y-12119-00	PAPS2700.04.03	77, 85, 89
5GH-13440-00	REC5GH-13440-00	
	PAF25-05000100	53, 81, 87, 93
	PAF15-07010023	
60V-11181-00	REC60V-11181-00	139, 45
60V-12411-00	REC60V-12411-00	164
60V-13621-A0	REC60V-13621-A0	150
60V-13645-00	REC60V-13645-00	150
60V-13907-00	REC60V-13907-00	162
60V-24251-01	REC60V-24251-01	52
60V-44150-00	REC60V-44150-00	218
60V-45113-02	REC60V-45113-02	144, 145
60V-45300-20-8D	REC421-A25	166
60V-45332-00-94	REC60V-45332-00-94	219
60V-45611-00	REC60V-45611-00	219
60V-81800-00	PH130-0076	64
60W-45300-20-8D	REC428-A25	166
60X-44315-A0	REC60X-44315-A0	178, 220
60X-44323-00	GLM12519	220, 246, 248
60X-81800-00	PH130-0076	64
60X-W0078-00	GLM12068	178, 251
612-45611-00	PAF25-040600001	175
61A-11193-A2	REC61A-11193-A2	151
61A-11325-00	TEN01168	58
61A-11381-A0	REC61A-11381-A0	150
61A-12414-A0	REC61A-12414-A0	104, 164
61A-13411-00	REC61A-13411-00	53
61A-13621-A0	REC61A-13621-A0	150
61A-13645-00	REC61A-13645-00	150
61A-13646-00	REC61A-13646-00	150
61A-24316-00		93
61A-24563-00	REC61A-24563-00	51, 52
61A-43880-01/02	PH200-T050	65
61A-44311-00	REC61A-44311-00	219
61A-44311-01	REC61A-44311-00	178, 215, 217, 220
61A-44322-02	REC61A-44322-02	178, 215, 217, 219, 220, 245, 246
61A-45113-A0	REC61A-45113-A0	144, 145
61A-45214-10	REC61A-45214-10	219
61A-45215-10	REC61A-45215-10	219
61A-45301-10-8D		219
61A-45321-01	REC61A-45321-01	218
61A-45331-00-94	REC61A-45331-00-94	218
61A-45371-00	CM61A-45371	56
61A-45371-00	CM61A-45371-00A	219
61A-45371-00	REC61A-45371-00	219
61A-45371-00	TEN01124	62
61A-45376-00-94	REC61A-45376-00-94	219
61A-45501-20	REC61A-45501-20	219
61A-45501-30	REC61A-45501-30	219
61A-45527-00	REC61A-45527-00	215, 217, 219
61A-45538-00	REC61A-45538-00	217, 219
61A-45567-00		219
61A-45577-00		219
61A-45587-00/60	REC61A-45587-00/60-0	218
61A-45631-03	REC61A-45631-03	219
61A-45632-00	REC61A-45632-00	219
61A-45633-00	REC61A-45633-00	219, 234
61A-45634-01	REC61A-45634-01	219
61A-45635-00	REC61A-45635-00	219
61A-45641-02	REC61A-45641-02	219
61A-81941-00	REC61A-81941-00	64
61A-W0001-21	GLM87842	226
61A-W0001-A1	REC61A-W0001-01	142, 145
61A-W0078-01	REC61A-W0078-A1	245, 246, 251
61A-W0093-01	REC61A-W0093-01	159
61B-82510-01	REC61B-82510-02	70
61N-11111-01-1S		103
61N-11181-A1	REC61N-11181-00	103
61N-11181-A2	REC61N-11181-00	138
61N-11191-01-1S		103
61N-11422-00	REC60G-11422-00	103, 134
61N-11432-00	REC60G-11432-00	103, 134
61N-11442-00	REC60G-11442-00	103, 134
61N-11515-00	REC61N-11515-00	103
61N-11603-00	REC61N-11603-00	125, 128
61N-11604-00	REC61N-11604-00	103, 125
61N-11605-00	REC61N-11605-00	103, 125
61N-11631-00-95	REC61N-11631-00K	103, 125, 128
61N-11635-00	REC61N-11635-00K	103, 125
61N-11636-00	REC61N-11636-00K	103, 125
61N-14198-00	REC61N-14198-00	149
61N-24560-00	PAF15-07080000	51
61N-24563-10	REC61N-24563-10	52
61N-26311-00	REC61N-26311-00	161

YAMAHA

REF.	R.O./OEM	PAG
61N-41123-00-1S		103
61N-44146-00	REC61N-44146-00	201
61N-44176-00		195
61N-44311-01	PAF25-04050001	174, 246
61N-44322-01	PAF25-04050002	174
61N-44322-01	REC61N-44322-00	195, 244, 245
61N-44323-00	PAF25-04000014	174, 248
61N-44323-00	REC61N-44323-00	195, 244, 245
61N-44362-00	PAF25-04000017S	174, 195
61N-44362-10	PAF25-04000017	174, 195
61N-45127-00	PAF25-04000013	175, 195
61N-45214-00	PAF25-04000021	175
61N-45251-00	PAF15-06000004	175
61N-45251-01	CM61N-45251-01 / A	56, 173, 191, 195
61N-45251-01	TEN01135	60
61N-45311-02-4D	PAF25-04000001	175, 195
61N-45315-00	PAF25-04000009	175, 195
61N-45331-00-5B		195
61N-45361-01-4D	PAF25-04070001	175, 195
61N-45371-00	CM61N-45371-00	195
61N-45510-00	PAF25-04010000S	175
61N-45510-00	REC61N-45510-00	195
61N-45510-10	PAF25-04010000	175
61N-45510-10	REC61N-45510-10	195
61N-45536-00	PAF25-04000002	175, 195
61N-45551-00	PAF25-04000005	175
61N-45551-00	REC61N-45551-00	195, 229, 230
61N-45560-00	PAF25-04020000	175
61N-45560-10	REC61N-45560-10	195
61N-45571-00	PAF25-04070004	175
61N-45571-00	REC61N-45571-00	195, 229, 230
61N-45587-00-07	PAF25-04000003-1	175, 195
61N-45587-00-10	PAF25-04000003-2	175
61N-45587-00-11	PAF25-04000003-3	175
61N-45587-00-12	PAF25-04000003-4	175
61N-45587-00-13	PAF25-04000003-5	175
61N-45587-00-14	PAF25-04000003-6	175
61N-45587-00-15	PAF25-04000003-7	175
61N-45587-00-16	PAF25-04000003-8	175
61N-85540-00	REC61N-85540-00	66
61N-W0001-E1	REC61N-W0001-E1	194, 224
61N-W0093-00	REC61N-W0093-00	158
61T-11111-01-1S		103
61T-11193-A1	REC61T-11193-A0	103, 151
61T-45113-A0	REC61T-45113-A0	143, 145
61T-W0001-02	REC61T-W0001-02	102, 140, 145, 94, 98, 100, 101, 104, 106, 108, 111, 115, 117, 118
624-14485-00		187
624-45567-00-03		187
624-45567-00-05		187
626-14390-90	REC626-14390-90	159
626-44365-01	GLM12869	193
626-45215-00		187
626-45316-09	REC626-45316-09	173, 189
626-45577-00	PAF15-06080006-1	191
626-45577-00-01	PAF15-06080006-1	173
626-45577-00-01		187, 189
626-45577-00-03		187, 189
626-45577-00-05		187, 189
62X-43880-09	PH200-T035	65
62Y-11119-00		93
62Y-11133-10	PAF25-05050104	87
62Y-11325-00	CM62Y-11325-00	55
62Y-11325-00	PAF25-02010005	87
62Y-11325-00	TEN01149	58
62Y-11372-01	PAF25-05010113	87
62Y-11416-00	PAF25-05010302-1	89
62Y-11416-10	PAF25-05010302-2	89
62Y-11633-00	PAF25-05020105	89, 124
62Y-11654-00	PAF25-05020204	89
62Y-11656-00	PAF25-05020203-1	89
62Y-11656-00	PAF25-05020203-2	89
62Y-12116-00	PAF25-05050003	89
62Y-12121-00	PAF25-05050002	89
62Y-12138-40		87
62Y-12158-00	PAF15-07040304	85, 89
62Y-12159-00	PAF15-07040303	85, 89
62Y-12216-00	PAF25-05050011	89
62Y-12231-00	PAF25-05050012	89
62Y-12238-00	PAF25-05050009	89
62Y-12414-00	PAF15-07010022	81, 87, 164,
62Y-12414-00	PAF4-04000011	81, 90
62Y-14392-00	REC62Y-14392-00	159
62Y-15312-00	REC62Y-15312-00	152
62Y-24410-04	PAF25-05130000	162
62Y-24471-00	PAF25-05130005	163
62Y-4113-00	REC62Y-41133-00	154
62Y-43880-02	PH200-T036	65
62Y-44555-00	REC670-44555-00-94	222
62Y-45127-00	REC62Y-45127-00	153
62Y-W0001-20	REC62Y-W0001-20	225
62Y-W0001-21	REC62Y-W0001-21	225

YAMAHA

REF.	R.O./OEM	PAG
62Y-W0001-22	REC62Y-W0001-22	225
633-11634-00	REC633-11634-00	125
634-11633-00	PAF15-07020006	83, 124
634-11633-00	REC634-11633-00	101, 125, 135, 136
63D-11111-00-1S		111
63D-11181-A2	REC63D-11181-A1	111, 139, 145
63D-11191-00-1S		111
63D-11193-A0	REC63D-11193-A0	111
63D-11603-00	REC63D-11603-00	113
63D-11604-00	REC63D-11604-00	113
63D-11605-00	REC63D-11605-00	113
63D-44311-00	REC63D-44311-01	245, 247
63D-44312-00	GLM12874	201
63D-44316-00	REC63D-44316-00	201
63D-44322-00	REC63D-44322-00	201, 244, 245
63D-44323-00-00	GLM12524	244, 245, 248
63D-44341-00	REC63D-44341-00	201
63D-45114-A0	REC63D-45114-A0	152
63D-45123-00	REC63D-45123-00	154
63D-45214-00		201
63D-45215-00		201
63D-45251-00	TEN01131	60
63D-45251-01	TEN01131	60
63D-45361-02-4D	REC63D-45361-02-4D	201, 230, 231
63D-45577-00		201
63D-W0001-00	REC63D-W0001-00	110, 141, 145
63D-W0001-20	REC63D-W0001-20	225
63D-W0078-01	GLM12276	244, 245, 250
63P-11181-00	REC63P-11181-00	140, 146
63P-11325-01-00	TEN01167	59
63P-11325-11-00	TEN01164	59
63P-11325-21-00	TEN01165	58
63P-11351-01	REC63P-11351-01	145, 146
63P-13915-00	REC63P-13915-00	52
63P-15312-00	REC63P-15312-00	153
63P-45300-00-8D	REC416-B20F	167
63P-45501-00	REC63P-45501-00	177
63P-45501-10	REC63P-45501-10	177
63P-81800-00	PH130-0073	64
63V-11181-A1	REC63V-11181-A1	138
63V-11181-A2	REC63V-11181-A1	100
63V-11400-01		101
63V-11412-00	REC63V-11412-00	101, 134
63V-11422-00	REC63V-11422-00	101, 134
63V-11432-00	REC63V-11432-00	101, 134
63V-11442-00	REC63V-11442-00	101, 134
63V-11445-00	REC63V-11445-00	101
63V-11515-02	REC63V-11515-02	101
63V-14126-00	REC63V-14126-00	156
63V-14984-00	REC63V-14984-00	156
63V-14985-00	REC63V-14985-00	160
63V-24411-00	REC63V-24411-00	162
63V-41111-00-1S		100
63V-41112-A0	REC63V-41112-A0	100, 147
63V-41113-00-1S		100
63V-41133-A1	REC63V-41133-A1	153
63V-44150-00	PAF15-06030000S	173, 191
63V-44150-10	PAF15-06030000	191
63V-44301-00	REC63V-44301-00	173, 191
63V-44301-00-00	REC63V-44301-00	246
63V-44322-00	REC63V-44322-00	173, 191, 244
63V-44323-00	REC63V-44323-00	173, 191, 244
63V-44323-00-00	PAF15-06000007	247
63V-44328-00	PAF15-06000014	173, 191
63V-44352-01	CEF500363	221
63V-4		

YAMAHA

REF.	R.O./OEM	PAG
646-44323-00	PAF25-04050001	247
646-44323-00	REC646-44322-00	181
646-44352-01	REC646-44352-01	181, 221
	CEF500324	
646-44365-00		181, 183
646-44366-01		181
646-45534-00-03		181
646-45551-00	REC646-45551-00	181, 227
646-45560-00	REC646-45560-00	181, 227
646-45567-00-03		181
647-11610-00	REC647-11610-00	125, 127
	REC647-14323-00	
647-14323-00	REC6G1-14985-00	160
647-14385-00	REC647-14385-00	160
647-14386-10	REC647-14386-10	161
647-44366-00	PAF15-06060004	173, 244
647-44366-00	REC26-08370	191
647-44366-00	REC647-44366-00	185, 187, 244
647-45316-09	REC647-45316-09	187
647-45331-00-94		187
647-45333-00-08		187
647-45333-00-10		187
647-45333-00-12		187
647-45333-00-14		187
647-45551-00	REC647-45551-00	187, 227
647-45560-00	REC647-45560-00	187, 227
647-45567-00		185, 187
647-45570-01	REC647-45570-00	187, 227
647-45943-00-EL	SOL2011-083-07P	252
648-11633-00	REC648-11633-00	113, 125, 126, 136, 137
648-13621-A1	REC648-13621-A0	149
648-13645-A0	REC648-13645-A0	148
648-14198-A0	REC648-14198-A0	149
648-14384-01	REC648-14384-01-00	156
648-14385-00	REC648-14385-00	160
648-24411-00	REC648-24411-00	162
648-24434-01	REC648-24434-01	163
648-24435-02	REC648-24435-02	163
648-44146-00	REC648-44146-00	221
648-45633-00	PAF15-06070005	175
		173, 189, 193,
648-45633-00	REC648-45633-00	195, 197, 227,
		228, 229, 230
648-45633-00	REC683-45631-02-94	191
648-45634-00		193
648-45635-00	PAF25-04060006	175
648-45635-00	REC648-45635-00	193, 195
64D-11603-01	REC64D-11603-01	121
64D-11603-02	REC64D-11603-01/02	123, 127, 129, 130
64D-11603-04	REC64D-11604-01	127
64D-11603-05	REC64D-11605-01	127
64D-11604-01	REC64D-11604-01	121, 123
64D-11605-01	REC64D-11605-01	121
64D-11605-02	REC64D-11605-01	123
64D-11631-02-90	REC64D-11631-00K	123, 127, 129, 130
64D-11642-02-90	REC64D-11642-00K	130
64D-14384-01	REC64D-14384-1	157
64D-14394-00	REC64D-14394-00	160
64D-41111-00-1S		122
64D-45300-01-8D	REC416-A20	166, 177, 217
64D-45300-21-8D	REC416-A25	166, 177, 217
64D-W0093-00	REC64D-W0093-00	159
64E-11111-00-1S		122
64E-13645-A0	REC64E-13645-A0	150
64E-43880-00/1/03/04	PH200-T057	65
64E-45300-02-8D		217
64E-45300-22-8D		217
64J-W0001-20	REC64J-W0001-20	225
64J-W0001-21	REC64J-W0001-21	225
64J-W0001-22	REC64J-W0001-22	225
64K-45300-02-NA	REC416-B20	167
64P-45300-10-8D	REC418-A25	166
64P-45300-10-8D	REC418-B25F	167
650-11370-00	REC650-11370-00	104
650-11370-00,-01	REC650-11370-00	94
650-11370-01	REC650-11370-00	98, 108, 111, 115, 117, 118
650-11651-00	REC650-11651-00	101, 135, 136
650-14485-03		100
650-24378-00	PAF4-04010002	75, 77, 78
650-24378-00		108, 111, 115, 117
650-24431-A0	REC650-24431-A0	163
650-44147-00	REC650-44147-00	203, 221
650-44322-01		187
650-45321-00		203
650-45635-00	REC650-45635-00	173, 189, 191
654-45633-00		183, 185
654-45635-00		183, 185
655-12413-01-1S		103
655-12414-A0	REC655-12414-A1	103, 164
655-44150-10		187
655-44311-03		187
655-44315-00		187

YAMAHA

REF.	R.O./OEM	PAG
655-44323-01		187
655-45214-02-4D		187
655-45310-02-4D		187
655-45361-02-4D		187
655-45501-10		187
655-45631-00		187
65E-85570-00	REC63V-85570-00	68
65L-13645-00	REC65L-13645-00	150
65L-13646-00	REC65L-13646-00	150
65L-13915-00	REC65L-13915-00	52
65L-24563-00	REC65L-24563-00	51, 52
65N-44323-00	GLM12521	247
65N-W0001-20	REC65N-W0001-20	226
65N-W0078-A1	GLM12075	251
65W-08M87		87
65W-11111-02-94	PAF25-05050100	87
65W-11168-00	PAF25-05010109	87
65W-11169-00	PAF25-05010108	87
65W-11181-30	PAF25-05040000	87, 139, 146
65W-11191-00-94	PAF25-05000005	87
65W-11351-10	PAF25-00000013	87, 144, 146
65W-11356-00	PAF25-05000004	87
65W-11411-01	PAF25-05020001	89, 135
65W-11476-00	PAF25-05000022	89
65W-11536-10	PAF25-05000021	89
65W-11537-01	PAF25-05050017	89
65W-11631-00-96	PAF25-05020101	89, 130
65W-11631-00-96	PAF25-05020100	124
65W-11642-11	PAF25-05020301	89
65W-11665-00	PAF25-05020310	89
65W-12146-00	PAF25-05050008	89
65W-12151-00	PAF25-05050301	89
65W-12171-10	PAF25-05050200	89
65W-12228-00		87
65W-13286-00	PAF25-05010107	87
65W-13300-00	PAF25-05050400	89
65W-14457-10	PAF25-05080004	153
65W-14901-12	PAF25-05070000	155
65W-15100-00-94	PAF25-05010000	87
65W-15121-00	PAF25-05000007	87
65W-15663-00	PAGB/T3452.1-1992	87
65W-24251-00	REC40145	51, 52
65W-41113-01-94	PAF25-05010112	87
65W-41114-00	PAF25-05010111	87, 147
65W-41114-00	PAF25-05020100	89
65W-44150-00	PAF25-04030000S	175
65W-44150-10	PAF25-04030000	175
65W-44176-00	PAF25-04000012	174
65W-44328-00	PAF25-04000016	174
65W-44361-00	PAF25-02000004S	175
65W-44361-10	PAF25-02000004L	175
65W-45251-00	TEN01123	60
65W-45300-00-4D	PAF25-0400000S	175
65W-45300-01-4D	PAF25-04090000L / S	165
65W-45300-10-4D	PAF25-0400000L	175
65W-45331-00-5B	PAF25-04000008	175
65W-46241-00	PAF25-05000023	89
65W-81800-01/02/03	PH130-0029	64
65W-81941-00	PH375-0034	64
65W-82575-01	REC65W-82575-01	69
65W-85510-10	PAF25-05140000	66
65W-85570-01	PAF25-05120000	68
65W-85580-00	PAF25-05110000	68
65W-W0001-00	REC65W-W0001-00	143
65W-W0001-02	REC65W-W0001-00	86, 146
65W-W0001-20	REC65W-W0001-20	224
662-44352-01	CEF500321	221
	REC662-44352-01	
663-11111-02-1S		115
663-11191-00-1S		115
663-11193-A0	REC663-11193-00	115, 151
663-11325-00	CM663-11325-00	115
663-11411-01	REC663-11411-00	115, 135
663-11518-01		115
663-11561-00	REC663-11561-00	115
663-11633-00	REC663-11633-00	115, 119, 126, 136, 137
663-11634-00	REC663-11634-00	107, 109, 125, 126
663-12414-A0	REC663-12414-00	115, 165
663-12416-00		108, 115
663-12416-00-1S		115
663-13621-A0	REC663-13621-00	149
663-14198-A0	REC663-14198-00	149
663-14483-A0	REC663-14483-A0	149
663-14548-00	REC663-14548-00	161
663-14923-00	REC663-14923-00	160
663-15359-01-94		115
663-24312-01		115, 117
663-24411-00	REC663-24411-00	163
663-41113-00-1S		115
663-41114-A0	REC663-41114-00	115, 148
663-42138-00	REC663-42138-00	161
663-43118-01-4D	REC663-43118-01-4D	221
663-44144-01	REC663-44144-01	205, 207
663-44151-00	REC663-44151-00	205, 207

YAMAHA

REF.	R.O./OEM	PAG
663-44311-02	REC663-44311-02	199, 205
663-44311-02-00	REC663-44311-02	246
663-44315-A0	REC663-44315-00	199, 205
663-44315-A0	REC663-44315-A0	197, 244, 245
663-44316-A0	REC663-44316-A0	197, 199, 205
663-44322-00	REC663-44322-00	197, 199, 205, 244, 245
663-44323-00	REC663-44323-00	197, 199, 205, 248, 244, 245
663-44324-A0	REC663-44324-00	197, 199, 205
663-44341-00	REC663-44311-02	197, 199, 205
		197, 199, 201, 203, 205, 207, 209, 211, 219, 244, 245
663-44366-00	REC663-44366-00	201, 211
663-44367-00		209
663-44551-02-8D	REC663-44551-02-8D	223
663-45123-00	REC663-45123-00	154
663-45321-00		205
663-45331-00-94	REC663-45331-00-94	205, 231
663-45375-00		205
663-45376-00-94		205
663-45376-0094	REC663-45376-00	213
663-45510-01	REC663-45510-01	205
663-45536-00		205
663-45552-00	REC663-45552-00	199, 205
663-45567-01-10		205
663-45567-60		201
663-45576-00		199, 205
663-45577-01-10		205
663-45587-01-10		197, 201
663-45631-01	REC663-45631-00	199, 203, 205, 230, 231, 232
663-45633-00	REC663-45633-00	199, 201, 203, 205, 230, 231
663-45634-00	REC663-45634-00	199, 203, 205
663-45941-01-EL	SOL3311-110-17	253
663-45943-02-EL	SOL3311-110-15	253
663-45945-02-EL	SOL3311-111-13	253
663-45947-02-EL	SOL3311-116-11	253
663-45949-01-EL	SOL3311-110-16	253
663-45952-02-EL	SOL3311-114-12	253
663-45956-01-EL	SOL3311-121-09	253
663-45958-01-EL	SOL3311-111-14	253
663-45987-02	REC663-45987-00	199, 201, 205
663-48344-00	REC663-48344-00	161
663-85540-11/15	REC663-85540-15	67
663-85540-15	REC663-85540-15	67
663-W0078-01	REC663-W0078-01	204, 245
663-W0078-A0	GLM12279	250
664-11325-00	REC664-11325-00	98
664-41114-A0	REC664-41114-A0	147
664-41134-A0	REC664-41134-A0	154
664-44338-00	GLM89589	193, 244
664-44338-00	REC664-44338-00	173, 244, 245
664-45371-01	CM664-45371-01	197, 199, 201
664-45371-01A	CM664-45371-01	56
664-45371-01A	CM664-45371-01A	56
664-45371-01A	TEN01100	62
664-45371-01A	TEN01101	62
664-45384-00	REC664-45384-00	193, 197
664-45552-09		193
664-45567-00-05		189
664-45567-00-08		189
664-45567-00-12		189
664-45567-00-30		189
664-45567-00-50		189
664-45567-01-10	PAF15-06000010-1	173, 191
664-45576-00		193, 197
664-45577-01		197
664-45587-01-10		185
664-45631-01	REC664-45631-01	193
664-45631-02	PAF-04060003	175
664-45631-02	REC664-45631-00	195, 229, 230
664-45941-01-EL	SOL3211-099-09	253
664-45945-00-EL	SOL3211-099-10	253
664-4594		

YAMAHA

REF	R.O./OEM	PAG
66M-11327-00-94	PAF15-070100011	81
66M-11327-00-94	PAGB/T97-1-85	87, 89
66M-11328-00	PAF15-07010009	81, 87
66M-11328-00	PAGB/T97-1-85	89
66M-11351-10	PAF15-00000014	81, 144, 146
66M-11351-10	REC66M-11351-10	81
66M-11356-00	PAGB/T97-1-85	87
66M-11356-00	REC66M-11356-00	85
66M-11357-00	PAF15-07010014	81
66M-11357-00	REC66M-11357-00	81
66M-11411-00	PAF15-07030000	83, 135
66M-11416-00	PAF15-07010024	83
66M-11536-10	PAF15-07030003	83
66M-11537-00-94	PAF15-07040018	83
66M-11557-00	PAF15-07030004	83
66M-11631-00-96	PAF15-07020001	83, 124, 130
66M-11650-00	PAF15-07020100	83
66M-11654-00		83
66M-12111-00	PAF15-07040001	85
66M-12113-00	PAF15-07040005	85
66M-12116-00	PAF15-07040004	85
66M-12121-00	PAF15-07040002	85
66M-12138-60	PAF15-10030001	85
66M-12146-00	PAF15-07040015	85
66M-12151-10	PAF15-07040301	85
66M-12170-00	PAF15-07040200	83
66M-12411-01	PAF15-07000031	90, 164
66M-12411-01	PAF4-04000036	81
66M-12535-00	PAF15-07010012	81, 87
66M-13300-10	PAF15-07040500	83
66M-13329-10	PAF15-07040016	83
66M-14301-00	PAF15-07090000 / W	155
66M-15100-02-1S	PAF15-07010000	81
66M-24410-11	67D-24410-03	162
66M-41113-20-1S	PAF15-07010019	81
66M-41114-01	PAF15-07010018	81, 147
66M-41114-01	REC66M-41114-01	81
66M-41138-00	PAF15-04010004	153
66M-44361-00	PAF15-02000005S	173
66M-44361-10	PAF15-02000005	173
66M-45113-00	PAF15-00000005	152
66M-45115-00	PAF15-03000003	153
66M-45300-02-4D	PAF15-06100000S	165, 173
66M-45300-11-4D	PAF15-06100000L	165, 173
66M-45371-00	REC66M-45371-00	173
66M-45371-00	TEN01136	61
66M-45371-00	CM66M-45371-00	55
66M-46241-00	PAF15-07000002	83
66M-46297-00	PAF15-07000024	83
66M-81800-01/02	PH130-0034	63
66M-85520-00	PAF15-07000300	67
66M-85533-00	PAF15-07000400	69
66M-85570-00	PAF15-07000600	68
66M-85570-00	REC689-81311-40	68
66M-85580-00	PAF15-07000200	68
66M-W0001-01	REC66M-W0001-01	80, 143, 146
66M-W0001-20	REC66M-W0001-20	172, 223
66M-W0093-01	REC66M-W0093-01	157
66M-W009B-15-1S	POWERHEAD9-15	85
66N-11603-00	REC66N-11603-00	83, 124, 130
66T-11111-01-1S		106
66T-11119-00		106
66T-11181-A0	REC66T-11181-00	139, 145
66T-11181-A2	REC66T-11181-00	106
66T-11191-00-1S		106
66T-11193-A0	REC66T-11193-A0	151
66T-11193-A2	REC66T-11193-A0	106
66T-11400-01		107
66T-11412-00	REC66T-11412-00	107, 134
66T-11422-00	REC66T-11422-00	107, 134
66T-11432-00	REC66T-11432-00	107, 134
66T-11442-00	REC66T-11442-00	107, 134
66T-11565-00		106
66T-11603-00	REC66T-11603-00	107, 126, 128
66T-11604-00	REC66T-11604-00	107, 126
66T-11605-00	REC66T-11605-00	107, 126
66T-11631-01-93	REC66T-11631-01K	107
66T-11631-01-91	REC66T-11631-01K	126, 128
66T-11635-01	REC66T-11635-01K	107, 126
66T-11636-01	REC66T-11636-01K	107, 126
66T-11681-00	REC66T-11681-00	107, 136, 137
66T-14384-01	REC66T-14384-01	156
66T-14536-01	REC66T-14536-01	156
66T-14992-00	REC66T-14992-00	160
66T-15396-01-94		106
66T-26301-00	REC66T-26301-00	161
66T-41113-00-1S		106
66T-41114-A0	REC66T-41114-A0	106, 147
66T-41133-A0	REC66T-41133-A1	154
66T-44150-01		201
66T-44150-11		201
66T-44311-00	REC66T-44311-00	201, 244, 246
66T-44323-00	REC66T-44323-00	201, 244, 248
66T-44514-00-4D	REC66T-44514-00-4D	222
66T-45113-A0	REC66T-45113-A0	143, 145

YAMAHA

REF	R.O./OEM	PAG
66T-45114-A0	REC66T-45114-A0	152
66T-45300-01-4D		201
66T-45300-11-4D		201
66T-45311-01-4D		201
66T-45321-00		201
66T-45344-01		201
66T-45501-01	REC66T-45501-01	201
66T-45501-11	REC66T-45501-10	201, 231
66T-45551-00	REC66T-45551-00	201, 230
66T-45560-01	REC66T-45560-00	201, 230, 231
66T-45571-00	REC66T-45570-00	201
66T-45611-00	REC66T-45611-01	201, 230, 231
66T-45631-00	REC66T-45631-00	201, 230, 231
66T-45635-00	REC66T-45635-00	201
66T-45997-00	REC66T-45997-00	201
66T-81800-03/02	PH130-0084	63
66T-82575-01	REC66T-82575-01	69
66T-85533-00	REC66T-85533-00	69
66T-85540-01	REC66T-85540-00-01	67
66T-85570-00	REC66T-85570-00	68
66T-85580-00	REC66T-85580-00	69
66T-W0001-01	REC66T-W0001-01	141, 145
66T-W0001-20	REC66T-W0001-20	200, 225
66T-W0078-00	REC66T-W0078-00	200
66T-W0078-01	REC66T-W0078-00	244, 250
66T-W0093-01	REC66T-W0093-01	158
66W-11119-00	PAF25-05010106	87
670-44323-00	REC670-44323-00	205, 248
670-44514-00	REC670-44514-00	222
670-45997-02	REC670-45997-02	199, 205
676-11181-A2	REC676-11181-01	139, 145
676-11325-00	REC676-11325-00	106
676-11325-00	TEN01166	59, 108
676-11372-00	PAF15-04000005	75, 79, 81, 93, 100, 103, 104, 98, 106
676-11372-00		106
676-12413-00-1S		106
676-12414-A0	REC676-12414-A0	106
676-12414-A1	REC676-12414-A0	164
676-13646-A0	REC676-13646-A0	149
676-14186-00	REC676-14186-00	161
676-14984-00	REC676-14984-00-00	156
676-14985-01	REC676-14985-01	160
676-41112-A0	REC676-41112-A0	147
676-41133-A0	REC676-41133-A0	154
676-44150-00		203
676-44150-10		203
676-44150-20		203
676-44311-00	REC676-44311-00	245, 247
676-44311-00		203
676-44315-A1	REC676-44315-00	203, 245
676-44316-A1	REC676-44316-A1	203
676-44321-40		203
676-44322-40		203
676-44323-00	REC676-44323-00-00	248
676-44323-00	REC676-44323-00-40	203, 245
676-44324-A1	REC676-44324-A0	203
676-44341-94	REC676-44341-00	203
676-44518-00	REC676-44518-00	223
676-45114-A1	REC676-45114-A1	152
676-45127-00	REC676-45127-00	154
676-45128-00	REC676-45128-00	154
676-45215-01		203
676-45251-00	REC676-45251-00	106
676-45251-00	TEN01127	57, 108
676-45314-00	REC676-45314-00	203
676-45361-01-94	REC676-45361-01-94	203
676-45501-00		203
676-45501-10	REC676-45501-10	203
676-45501-20		203
676-45533-00	REC676-45533-00	203
676-45536-00		203
676-45567-00-07	REC93332-000UO	203
676-45567-00-08		203
676-45567-00-09		203
676-45567-00-10		203
676-45567-00-11		203
676-45567-00-12		203
676-45577-00-18		203
676-45577-00-19		203
676-45577-00-20		203
676-45577-00-21		203
676-45577-00-22		203
676-45577-00-23		203
676-45577-00-24		203
676-45577-00-25		203
676-45587-00-70	REC676-45587-00-70	203
676-45587-00-75	REC676-45587-00-75	203
676-45587-00-80	REC676-45587-00-80	203
676-45587-00-85		203
676-45635-00	REC676-45635-00	199, 203
677-11111-00-1S		98
677-11181-A1	REC677-11181-A0	98, 138, 145
677-11372-00		98
677-11631-00-97	REC677-11631-00K	125, 127
677-12413-00-1S		98

YAMAHA

REF	R.O./OEM	PAG
677-12414-A1		98
677-13621-A1	REC677-13621-00	148
677-14198-A1	REC677-14198-A1	149
677-14227-00	REC677-14227-00	156
677-14343-68	REC677-14343-68	159
677-14384-01	REC677-14384-01	156
677-15359-00-94		98
677-15379-02		98
677-15396-01-5B		98
677-24411-02	REC677-24411-02	162
677-24434-02	REC677-24434-02	148
677-24435-01	REC677-24435-01	163
677-24471-01	REC677-24471-01	162
677-26301-02	REC677-26301-02	161
677-41111-01-1S		98
677-41112-A0	REC677-41112-A0	146
677-41112-A1	REC677-41112-A0	98
677-41113-01-1S		98
677-41114-A0	REC677-41114-A0	147
677-41114-A1	REC677-41114-A1	98
677-45113-A1	REC677-45113-A0	143, 145
677-45251-00	CM6E0-45251-11	187
677-45315-00		187
677-45611-01		187
677-W0093-00	REC677-W0093-00	157
679-14923-00	REC679-14923-00	160
679-14966-00	REC676-14966-00	160
679-44514-00-94	REC679-44514-00-94	222
679-45251-00	CM679-45251-00	57
679-45331-00-94		199
679-45371-00	TEN01101	205
679-45611-01	REC679-45611-00	199, 230, 231
679-W0078-00	REC679-W0078-A1	245, 249
67C-11181-01	REC67C-11181-01	90, 139, 146
67C-11351-01	REC67C-11351-00	90, 144, 146
67C-11356-00	REC67C-11356-00	90
67C-11603-00	REC67C-11603-00	89, 124, 130
67C-11650-00	PAF25-05020200	89
67C-12111-00	PAF25-05050001	89
67C-14561-00		90
67C-14562-00		90
67C-15312-00	PAF25-02010007	152
67C-15312-00	REC67C-15312-00	152
67C-41114-00	REC67C-41114-00	90, 147
67C-41133-00	REC67C-41133-00	154
67C-45113-00	REC67C-45113-00	152
67C-45123-00	REC67C-45123-00	154
67C-45251-00	CM67C-45251-00	54, 201
67C-45251-00	TEN01132	59
67C-45371-00	CM67C-45371-00	56
67C-45371-00	TEN01141	62
67C-81800-02	PH130-0029	64
67C-W0001-01	REC67C-W0001-01	90, 146
67C-W0001-00/01	REC67C-W0001-01	143
67C-W0001-22	REC67C-W0001-22	224
67D-11133-10		75
67D-11181-A0	PAF4-04000014	77, 139, 146
67D-11191-00	PAF4-04000018	77
67D-11400-00	PAF4-04030000	77, 135
67D-11650-00	PAF4-04020100	77
67D-12111-00	PA166F-010001	75
67D-12111-00	PAF4-04080005	77
67D-12121-00	PA166F-010002	75
67D-12121-00	PAF4-04080006	77
67D-12151-00	PA166F-010009	75, 77
67D-12154-00	PAF4-04000015	77
67D-12157-00	PA166F-010008	75, 77
67D-14301-03	PAF4-04140000	155
67D-24410-03	PAF4-04090000	1

YAMAHA

REF.	R.O./OEM	PAG
67F-24251-02	REC40165	51, 52
67F-41114-A2		93
67F-41134-A0	REC67F-41134-A0	155
67F-41138-00	REC67F-41138-00	154
67F-43880-00	PH200-T044	65
67F-44311-01-00	REC67F-44311-01	244, 247
67F-44352-00	CEF500364	221
67F-44352-00	REC67F-44352-00	221
67F-45113-00	REC67F-45113-00	152
67F-45123-00	REC67F-45123-00	154
67F-45127-00	REC67F-45127-00	154
67F-45371-00	TEN01140	62
67F-45997-00	GLM22178	207
67F-81800-00/01/02/03	PH130-0055	64
67F-W0001-20	REC67F-W0001-20	224, 226
67F-W0078-00	GLM12275	244, 250
67F-W0093-00	REC67F-W0093-00	158
67H-13907-00	REC67H-13907-00	162
67H-8592A-01	REC67H-8592A-01	70
680-WE090-11-15	POWERHEAD4-5HP	77
682-11325-00	CM682-11325-00	100
682-11325-00	TEN01162	59
682-11351-A0	REC682-11351-A0	144
682-11610-00	REC682-11610-01	125
682-11610-01	REC682-11610-01	101
682-11610-11	REC682-11610-11	101, 125
682-11610-21	REC682-11610-21	101, 125
682-11681-00	REC682-11681-00	101, 135, 136
682-12413-00-1S		100
682-12414-A1	REC682-12414-00	100
682-12414-A1	REC682-12414-A1	164
682-13621-A0	REC682-13621-00	148
682-41112-A1	REC682-41112-00	147
682-41114-A1	REC682-41114-00	147
682-41133-A0	REC682-41133-A0	153
682-44147-00	REC682-44147-00	189, 197
682-44150-00		189
682-44176-00		189, 197
682-44300-01	REC682-44300-01	244, 246
682-44300-01		189
682-44312-00		189
682-44315-00	REC682-44315-00	189, 244
682-44322-00	REC682-44322-00	189, 244
682-44323-00	GLM12515	247
682-44323-00	REC682-44323-40	189
682-44323-40	REC682-44323-40	189
682-44328-00		189
682-44352-00	REC682-44352-01	189
682-44352-03	CEF500320	221
682-44352-03	REC682-44352-01	221
682-44365-00	REC682-44365-00	189, 244
682-44514-01-94	REC682-44514-01-94	222
682-45113-02	REC682-45113-A0	152
682-45376-01		189
682-45631-00	REC682-45631-00	173, 189, 191, 227, 228, 229
682-81800-11/12	PH130-0061	63
682-W0078-00	GLM12281	189
682-W0078-A1	GLM12278	249
682-W0078-A1	GLM12281	188
682-W0078-A2	GLM12281	249
683-44362-01		189
683-44365-01		189
683-44373-00		189
683-45315-00	REC683-45315-A0	189
683-45361-00-EJ	REC683-45361-01-4D	189
683-45361-02-4D	REC683-45361-01-94	173
683-45361-02-4D	REC683-45361-0194	191
683-45611-00	REC683-45611-00	173, 189, 191, 227, 228, 229
683-45942-00-EL	SOL3111-093-10	252
683-45943-00-EL	SOL3111-093-11	252
683-45945-00-EL	SOL3111-093-09	252
683-45947-00-EL	SOL3111-093-08	252
683-W0001-21	REC683-W0001-21	188
683-W0001-C1	REC683-W0001-21	224
688-11119-01		117
688-11181-A1	REC688-11181-A1	118
688-11181-A2	REC688-11181-A1	139
688-11193-A1	REC688-11193-A1	118, 151
688-11325-00	CM688-11325-00	118
688-11325-00	CM85007 / A	56
688-11325-00	REC688-11325-00	111
688-11325-00	TEN01147	59
688-11370-01	REC688-11370-00 / 01	111, 117, 118, 119
688-11411-01	REC688-11411-00	119, 135
688-11603-A0	REC688-11603-A0	115, 119, 126, 128, 129
688-11604-A0	REC688-11604-A0	115, 119, 126
688-11605-A0	REC688-11605-A0	115, 119, 126
688-11610-02	REC688-11610-02	126, 128, 129
688-11631-02-95	REC688-11631-02K	126, 128
688-11631-03-94	REC688-11631-03K	115, 119, 126, 128, 129
688-11631-81-96	REC688-11631-81K	126, 129

YAMAHA

REF.	R.O./OEM	PAG
688-11634-00	REC688-11634-00	103, 115, 119, 125, 126
688-11634-10	REC688-11634-00	117, 125
688-11635-03	REC688-11635-03K	115, 126
688-11636-03	REC688-11636-03K	115, 126
688-11650-03	REC688-11650-03	115, 119, 126
688-12411-10	REC688-12411-10	118
688-12411-11	REC688-12411-10	164
688-12413-00-1S		118, 122
688-12414-A1	REC688-12414-00 / A1	118, 120, 122, 165
688-12416-00		118
688-13621-A1	REC688-13621-A1	150
688-14198-A2	REC688-14198-A1	150
688-14416-01	REC688-14416-01	149
688-14483-A0	REC688-14483-A0	149
688-14548-00	REC688-14548-00	161
688-14947-00	REC688-14947-00	159
688-24378-00	PAF15-0500011	81, 87, 93
688-41112-A0	REC688-41112-A0	118, 148
688-41114-A0	REC688-41114-A0	118, 148
688-41134-A0	REC688-41134-00	154
688-41217-00	REC688-41217-00	156
688-43880-11	PH200-T037	65
688-44120-11/12	REC688-44120-12	222
688-44120-22	REC688-44120-22	222
688-44311-01	REC688-44311-01	207, 211, 247, 245
688-44311-01-00	REC688-44311-01	209
688-44315-A0	REC688-44315-00	207, 211, 244, 245
688-44315-A0-00	REC688-44315-00	209
688-44316-A0	REC688-44316-00	207, 211
688-44316-A0-00	REC688-44316-00	209
688-44321-41		207
688-44322-00	REC688-44322-00	207, 211, 245
688-44322-00-00	REC688-44322-00	209
688-44322-41		207
688-44323-00	REC688-44323-00	207, 211
688-44323-00-00	REC688-44323-00	245, 248
688-44323-00-00	REC688-44323-00-00	209
688-44323-40		207
688-44324-A0	REC688-44324-00	207
688-44324-A0	REC688-44324-A0	211
688-44324-A0-00	REC688-44324-00	209
688-44341-01-94	REC688-44341-01	207, 209, 211
688-44352-03	CEF500323	221
688-44352-03	REC688-44352-03	207, 211, 221
688-44352-03-00	REC688-44352-03-00	209
688-44514-00	REC688-44514-00	222
688-44555-00	REC688-44555-00	222
688-45113-A0	REC688-45113-A0	144, 145
688-45114-A1	REC688-45114-A1	152
688-45123-00	REC688-45123-00	154
688-45251-01	CM688-45251-01	55
688-45251-01	CM688-45251-01A	55
688-45311-06-4D		207
688-45331-00-94	REC688-45331-00-94	207, 209, 211, 229, 231, 232
688-45341-00	PAF25-04000031	175
688-45341-00	REC688-45341-00	177, 199, 213, 215
688-45341-00-00	REC688-45341-00	209
688-45341-10	REC688-45341-00	195, 201, 203, 205, 207, 217, 219
688-45341-10		219
688-45371-02	CM688-45371-02 / A	57, 207, 211
688-45371-02	TEN01104	62
688-45371-02-00	CM688-45371-02	209
688-45375-00	REC688-45375-00	199, 213
688-45383-02	REC688-45383-01	207, 209, 211, 213, 215
688-45384-00	REC688-45384-00	207, 211, 213, 215
688-45384-00-00	REC688-45384-00	209
688-45501-11	REC688-45501-11	207
688-45501-22		207
688-45536-01		211
688-45536-01-00		209
688-45551-01	REC688-45551-00	207, 211, 232
688-45551-01-00	REC688-45551-00	209
688-45560-00	REC688-45560-00	207, 211, 232
688-45560-00-00	REC688-45560-00	209
688-45571-01	REC688-45570-00	207
688-45576-00-00	REC688-45576-00	209
688-45611-00	REC688-45611-00	207, 232
688-45631-01	REC688-45631-00	207, 231, 232
688-45633-00	REC688-45633-00	207, 211
688-45633-00-00	REC688-45633-00	209, 231, 232
688-45634-00	REC688-45634-00	207
688-45635-00	REC688-45635-00	205, 207
688-45930-02-98	SOL3431-133-17	253
688-45970-03-98	SOL3431-130-19	253
688-45972-02-98	SOL3431-130-21	253
688-45978-60-98	SOL3431-135-15	253
688-45987-01	REC688-45987-00	207, 211
688-45987-01-00	REC688-45987-00	209

YAMAHA

REF.	R.O./OEM	PAG
688-45997-00	REC688-45997-00	219
688-45997-01	REC688-45997-00	177, 211, 213, 215, 217
688-81800-12	PH130-0058	63
688-81950-10	REC688-81950-10	64
688-82575-01	REC688-82575-01	69
688-85510-11/10	REC688-85510-10	66
688-85540-16	REC688-85540-16	67
688-W0001-02	REC688-W0001-02	118, 145
688-W0001-20	REC688-W0001-20	226
688-W0001-20-00	REC688-W0001-22	208, 210
688-W0001-22	REC688-W0001-22	206, 226
688-W0001-A0	REC688-W0001-A0	141
689-11181-A2	REC689-11181-00	138
689-11325-00	CM3082523	55
689-11325-00	CM689-11325-00	103
689-11325-00	TEN01121	59
689-11610-01	REC689-11610-00	125, 127, 128
689-11631-00-95	REC689-11631-00K	125, 128
689-11633-00	REC689-11633-00	103, 125, 136
689-11651-00	REC689-11651-00	103, 136, 137
689-11681-01	REC689-11681-00	103, 136, 137
689-15396-01-5B		103
689-15755-00	REC689-15755-00	221
689-41112-A0	REC689-41112-A0	147
689-41114-A0	REC689-41114-A0	147
689-44311-03	GLM12076	193, 244, 245, 246
689-44314-00		193
689-44315-A0	GLM38009	193
689-44316-A0	GLM38108	193
689-44323-02	REC689-44323-00	193
689-44323-03	REC689-44323-00	193, 244, 245
689-44324-A0	GLM38109	193, 244, 245
689-44325-02-5B		193
689-44352-02	CEF500326	221
689-44352-02	REC689-44352-02	193, 221
689-44366-00	GLM38305	193, 195, 244, 245
689-45113-A1	REC689-45113-A1	103, 145
689-45311-04-EK3		193
689-45331-01-94		193, 197
689-45501-00		193
689-45501-10	REC689-45501-10	193, 230
689-45536-00		193
689-45551-00	REC689-45551-00	193, 229, 230
689-45560-00	REC689-45560-00	193, 229, 230
689-45570-00	REC689-45570-00	193
689-45611-00	REC689-45611-00	193, 229, 230
689-45997-00	PAF25-04000025	175
689-45997-00	REC689-45997-00	193, 195, 197
689-81800-13/12/11	PH130-0049	67
689-85540-21/20	REC689-85540-21	63
689-W0001-21	REC689-W0001-21	192, 225
689-W0001-C2	REC689-W0001-C2	224
689-W0078-04	GLM12058	244, 249
689-W0078-A6	GLM12059	192, 244, 245, 249
689-W0093-02	REC689-W0093-02	157
689-W4432-02	REC689-W4432-01	193, 244, 245
68D-11351-A0	PAF4-04000002	78, 151
68D-65300-03-4D	PAF4-03100005	165
68D-65300-11-4D	PAF4-03100001L	165
68D-E1111-10-1S	PAF4-04080101	77
68D-E1168-00	PAF4-04000100	78
68D-E1169-A0	PAF4-04000009	78
68D-E1193-A0	PAF4-04000017	78
68D-E1311-02-15	PAF4-04010100	77
68D-E1325-00	PAF-04070003	75
68D-E1325-00	PAF4-04070003	77
68D-E1603		

YAMAHA

REF.	R.O./OEM	PAG
68D-G5300-10-4D	PAF-0300000L	171
68D-G5300-11-4D	PAF4-03000001	171
68D-G5315-A0	PAF4-03000011	171
68D-G5321-00	PAF4-03000012	171
68D-G5361-00-4D	PAF4-03050001	171
68D-G5978-00	PAF4-030000025	169
68D-G5987-00	PAF4-030000025	171
68F-11181-00	REC68F-11181-00	139, 145
68F-11193-02	REC68F-11193-02	151
68F-11381-00	REC68F-11381-00	150
68F-13440-00	REC68F-13440-00	53
68F-13907-01	REC68F-13907-01	162
68F-13915-00	REC68F-13915-00	52
68F-24563-10	REC68F-24563-10	51
68F-41114-00	REC68F-41114-00	148
68F-45113-01	REC68F-45113-01	144
68F-81800-03/02/01/00	PH130-0056	63
68F-8592A-00	REC68F-8592A-00	70
68F-W0001-01	REC68F-W0001-01	142, 145
68T-12116-00	PAF4-04080007	77
68T-13475-00	REC68T-13475-00	152
68T-24251-00	REC68T-24251-00	51, 52
68T-44323-00	REC68T-44323-00	244, 247
68T-44352-00	CEF500368	221
68T-44352-00	REC68T-44352-00	221
68T-45251-00	CM68T-45251-00	54
68T-45251-00	CM68T-45251-00A	54
68T-45251-00	TEN01142	59
68T-W0001-20	REC68T-W0001-20	223
68V-11325-01	CM68V-11325-01 / A	54
68V-11325-01	TEN01156-1	60
68V-11325-02	TEN01156	59
68V-11351-00	REC68V-11351-00	93, 145, 146
68V-12413-00-9S		91
68V-13907-03	REC68V-13907-00	162
68V-13915-00	REC68V-13915-00	52
68V-15312-00	REC68V-15312-00	152
68V-24563-00	REC68V-24563-00	52
68V-45123-00	REC68V-45123-00	154
68V-81800-02/01/00	PH130-0057	64
68V-W0001-20	REC68V-W0001-20	226
68V-W0078-00	GLM12067	244, 251
692-14923-00	REC692-14923-00	160
692-24411-00	REC692-24411-00	162
692-41256-00	REC692-41256-00	156
692-44120-21/22	REC692-44120-22	222
692-45300-14-4D		207
692-45300-24-4D		207
692-W0078-(00/01)-00	GLM12282	208, 210
692-W0078-00/01	GLM12053	250
692-W0078-02	GLM12282	250
692-W0078-02	REC692-W0078-02	206, 245
695-11181-A1	REC695-11181-00	138, 145
695-85540-11/12	REC695-85540-11	66
695-W0001-01	REC695-W0001-A2	141
696-14590-01	REC696-14590-01	159
696-45113-A0	REC696-45113-00	144, 145
696-85540-12/11/10	REC696-85540-12	67
696-W0093-02	REC696-W0093-00	158
697-11119-00		115
697-11181-A2	REC697-11181-A0 / A1	115, 139, 145
697-44352-00	REC6H3-44352-00	205
697-45114-A0	REC697-45114-00	145, 152
697-45300-01-4D		205
697-45311-02-4D		205
697-45384-00	REC697-45384-00	199, 205
697-45551-00	REC697-45551-00	205
697-45560-00	REC697-45560-00	205, 231
697-45571-00	REC697-45570-00	205
697-45611-00	REC697-45611-00	205, 229, 231, 232
697-81800-10/12/13	PH130-0007	63
697-85570-00	REC697-85570-00	68
697-85570-11	REC697-85570-10	68
697-W0001-02	REC697-W0001-02	115
697-W0001-A0	REC697-W0001-02	141
698-W0001-20	GLM87812	225
698-W0001-21	REC698-W0001-21	204, 225
69D-W0001-20	REC69D-W0001-20	226
69G-W0001-20	REC69G-W0001-20	223
69J-11181-03 (STB)	REC69J-11181-03	140, 146
69J-11182-03 (PORT)	REC69J-11182-03	140, 146
69J-11301-00		91, 93
69J-11351-11	REC69J-11351-11	145, 146
69J-13440-00	REC35-822626A15	53
69J-13440-00	REC35-822626C15	53
69J-13645-A1	REC69J-13645-00	148
69J-15451-A1	REC69J-15451-00	148
69J-24501-10	REC69J-24501-10	51
69J-41134-A0	REC69J-41134-A0	155
69J-41135-A0	REC69J-41135-A0	155
69J-41138-00	REC69J-41138-00	155
69J-43880-00/01	PH200-T069	65
69J-45123-00	REC69J-45123-00	155
69J-45300-21-8D	REC421-B25F	167
69J-45361-00-8D	REC69J-45361-00-8D	219

YAMAHA

REF.	R.O./OEM	PAG
69J-45375-00	REC69J-45375-00	219
69J-81800-00	PH130-0074	64
69J-W0001-20	REC69J-W0001-20-00	226
69K-45300-21-8D	REC428-B25F	167
69L-45371-00	CM69L-45371-00 / A	57
69L-45371-00	TEN01145	61
69L-81800-00	PH130-0059	63
69M-11181-00	PAF2.6-04000001	75, 139, 146
69M-11351-A0	PAF2.6-04000004	73, 151
69M-11400-00	PAF2.6-04030000	75, 135
69M-11650-00	PAF2.6-04020100	75
69M-12154-00	PAF2.6-04000002	75
69M-12170-01	PAF2.6-04000100	75
69M-12411-01	PAT15-04000010	75, 77
69M-12411-01-00	PAF15-04000010	163
69M-14301-21	PAF2.6-04000200	155
69M-15361-00	PAF2.6-04010102	73
69M-44361-00	PAF2.6-02000003	169
69M-45113-A0	PAF2.6-00000003	75, 144, 146
69M-65300-01-4D	PAF2.6-03020000S / L	165
69M-85640-00	PAF2.6-04000600	67
69M-E1111-00-1S	PAF2.6-04040100	75
69M-E1191-00-1S	PAF2.6-04000006	75
69M-E1311-00-1	PAF2.6-04010100	73
69M-E1603-01	REC69M-E1603-01	75, 124, 130
69M-E1631-01-96	PAF2.6-04020001	75, 124, 130
69M-E1633-00	PAF2.6-04020005	124
69M-E1633-00	PAF2.6-04020005	75
69M-E2155-00	PAF2.6-04040001	75
69M-E2413-00-1S	PAF2.6-04000501	75
69M-E3102-00	PAF2.6-04050100	73
69M-E5111-00-1S	PAF2.6-04050001	73
69M-E5363-00	PAF15-07050004	73
69M-E5396-00	PAF2.6-04060001	73
69M-G2743-00	PAF2.6-04000008	73
69M-G4311-00	PAF2.6-03000014	169, 244, 246
69M-G4323-00	PAF2.6-03000010	169, 244, 247
69M-G4328-00	PAF2.6-03000016	169
69M-G5300-00-4D	PAF2.6-03000005	169
69M-G5300-01-4D	PAF2.6-0300000L	169
69M-G5311-00-4D	PAF2.6-03000001	169
69M-G5315-A0	PAF2.6-03000007	169
69M-G5321-00-94	PAF2.6-03000008	169
69M-G5361-00-4D	PAF2.6-03000301	169
69M-G5511-00	PAF2.6-03000101	169
69M-G5635-00	PAF2.6-03000200	169
69M-WE090-01-1S	POWERHEAD 2.6	75
69M-11193-A0	PAF2.6-04000005	75
69P-11400-00		103
69P-11412-00	REC690-11412-00	103
69P-44311-00	PAF25-04050001	195
69P-45300-01-4D		195
69P-45300-11-4D		195
69V-43880-01	PH200-T036	65
69V-81800-00	PH130-0059	63
69V-81800-00	PH200-T050	65
69V-82575-00	REC69V-82575-00	69
69V-W0001-20	REC69V-W0001-20	226
6A0-14325-00	REC6A0-14325-00	160
6A0-24410-00/05/03/04	REC692-24410-00	162
6A0-82550-01	REC6A0-82550-01	69
6A0-W0001-21	REC6A0-W0001-21	225
6A1-44312-01-94		181
6A1-44325-00P	REC6A1-44325-00	181
6A1-44361-00		181
6A1-45181-00-4D		181
6A1-45311-02-4D		181
6A1-45361-01-4D		181
6A1-45510-01		181
6A1-W0001-22	REC6A1-W0001-22	223
6A1-W0001-23	REC6A1-W0001-23	180, 223
6A1-W0078-01	REC6A1-W0078-01	180, 244
6A1-W0093-01	REC6A1-W0093-01	157
6AG-11181-00	REC6AG-11181-00	139, 146
6AH-11351-00	REC6AH-11351-00	144
6AH-11351-10	REC6AH-11351-00	144, 146
6AH-13329-00	REC6AH-13329-00	152
6AH-15312-00	REC6AH-15312-00	152
6AH-45251	TEN01154AL	60, 61
6AH-81800-00	REC6AH-81800-00	63
6AW-11181-00 (PORT)	REC6AW-11181-00	140, 146
6AW-11182-00 (STB)	REC6AW-11182-00	140, 146
6AW-11351-00	REC6AW-11351-00	145, 146
6AW-14613-00	REC6AW-14613-00	153
6AW-14623-00	REC6AW-14623-00	153
6AW-15312-00	REC6AW-15312-00	153
6AW-15451-00	REC6AW-15451-00	153
6AW-41134-00	REC6AW-41134-01	155
6AW-44311-00		179
6AW-44312-00	REC6AW-44312-00	179
6AW-44312-00		179
6AW-44315-00		179
6AW-44322-00	REC6AW-44322-00	179
6AW-44322-00		179
6AW-44323-00		179

YAMAHA

REF.	R.O./OEM	PAG
6AW-44336-00		179
6AW-44352-00	CEF500389N	179, 221, 244
6AW-44352-00		221
6AW-44365-00	REC6AW-44365-00	179
6AW-44365-00		179
6AW-45113-00	REC6AW-45113-00	153
6AW-45251	TEN01112-1	58
6AW-45619-00	TEN01169	61
6AW-81800-00	REC6AW-81800-00	64
6B4-26301-00	REC6B4-26301-00	161
6B4-85540-01	REC6B4-85540-01	67
6BG-11181-00	R0054-EC6BG-11181-00	139, 146
6BG-13915-00	REC6BG-13915-00	51
6BG-81800-00	REC6BG-81800-00	64
6BL-11181-00	REC6BL-11181-00	139, 146
6BL-11325-00	TEN01161	58
6BR-81800-00	PH130-0073	64
6BT-11325-00	TEN01163	58
6BX-45113-00	PAF6-00000001	144
6C5-13915-00	REC6C5-13915-00	51
6C5-43880-01/00	PH200-T045	65
6C9-81800-00	REC6C9-81800-00	64
6CB-11181-00	REC6CB-11181-00	140, 146
6CE-44311-01	REC6CE-44311-01	179
6CE-44315-00	REC6CE-44315-00	179
6CE-44323-00	REC6CE-44323-00	179
6CE-44352-00	REC6CE-44352-00	179
6CJ-11181-00	REC6CJ-11181-00	140, 146
6CJ-81800-00	PH130-0005	63
6D0-11181-00	REC6D0-11181-00	139, 145
6D0-41134-00	REC6D1A-41134-A0	153
6D0-W0001-00	REC6D0-W0001-00	142, 145
6D8-11191-00-9S		91
6D8-11356-01		91
6D8-41113-30-9S		93
6D8-42541-00		93
6D8-83626-00		93
6D8-WS24A-00	REC6D8-WS24A-00	51
6DA-11181-00	REC6DA-11181-00	140, 146
6EO-11191-01-1S		94
6EO-11193-A1	REC6EO-11193-A1	94
6EO-11400-00		95
6EO-11412-00		95
6EO-11422-00		95
6EO-11631-00-98	REC6EO-11631-00-98 / K	95, 124, 127
6EO-11651-01	REC6EO-11651-01	95
6EO-15396-03-5B		95
6EO-24378-00		94
6EO-24411-00	REC6EO-24411-00	162
6EO-24435-00	REC6EO-24435-00	163
6EO-24471-00	REC6EO-24471-00	162
6EO-26301-01	REC6EO-26301-01	161
6EO-41111-01-1S		94
6EO-41112-A1	REC6EO-41112-A1	94, 146
6EO-41113-01-1S		94
6EO-41114-A1	REC6EO-41114-A1	94, 146
6EO-43118-00/01	REC6EO-43118-01	221
6EO-44150-00		183
6EO-44150-10		183
6EO-44311-00	PAF4-03000019	183, 244
6EO-44315-A0	PAF4-03000018	183, 244
6EO-44322-00	PAF4-03000017	171
6EO-44322-02	REC6EO-44322-02	183, 244
6EO-44323-00	PAF4-03000015	171, 183, 244
6EO-44328-00	PAF4-03000020	183
6EO-44352-00	CEF500325	221
6EO-44352-00	PAF4-03060000	171
6EO-44361-00	REC6EO-44352-00	183, 221
6EO-44361-10		183
6EO-44366-00	PAF4-03000021	183, 244
6EO-45		

YAMAHA

REF.	R.O./OEM	PAG
6E0-W0001-C1	REC6E0-W0001-C1	182, 223
6E3-11191-01-1S		94
6E3-11631-00-98		95
6E3-41111-01-1S		94
6E3-41113-01-1S		94
6E5-03552-00		106
6E5-11181-A2	REC6E5-11181-A0	120, 139, 145
6E5-11191-01-1S		120
6E5-11193-A0	REC6E5-11193-A0	120, 151
6E5-11325-00	CM15026	54
6E5-11325-00	CM15026A	54
6E5-11325-00	CM6E5-11325-00	122
6E5-11325-00	PAF15-07010026	81
6E5-11325-00	TEN01152	59, 93, 120
6E5-11372-00		94
6E5-11381-A1	REC6E5-11381-A1	150
6E5-11381-A2	REC6E5-11381-00	120, 122
6E5-11447-00	REC6E5-11447-00	121, 123
6E5-11610-02	REC6E5-11610-02	127, 129, 130
6E5-11633-01	REC6E5-11633-00	127, 137, 138
6E5-11634-00	REC6E5-11634-00	127
6E5-12411-01	REC6E5-12411-01	104
6E5-12411-01	REC6E5-12411-02	94, 96, 103, 106
6E5-12411-02	REC6E5-12411-02	163
6E5-12411-30	REC6E5-12411-30	100, 111, 122, 164
6E5-13411-00	REC6E5-13411-00	53
6E5-13552-00		106
6E5-13621-A1	REC6E5-13621-A1	150
6E5-13645-A1	REC6E5-13645-A1-00	150
6E5-14198-A2	REC6E5-14198-A2	150
6E5-14323-03	REC6E5-14323-03	160
6E5-14328-01	REC6E5-14328-01	160
6E5-14384-03	REC6E5-14384-03-00	157
6E5-14385-02	REC6E5-14385-02	161
6E5-14386-01	REC6E5-14386-01	161
6E5-14386-02	REC6E5-14386-02	161
6E5-14416-A1	REC6E5-14416-A1	150
6E5-14483-A1	REC6E5-14483-A1	150
6E5-14546-00	REC6E5-14546-00	159
6E5-24305-06	GS31076	49
6E5-24377-00	PAF15-070100006	81
6E5-24377-00	PAF15-070100006	79
6E5-24410-01-00	REC6E5-24410-03	162
6E5-24411-00-00	REC6E5-24411-00	163
6E5-24434-02	REC6E5-24434-02	163
6E5-24435-00	REC6E5-24435-00	163
6E5-24471-00	REC6E5-24471-00	163
6E5-41112-A1	REC6E5-41112-A1	120, 148
6E5-41134-A0	REC6E5-41134-A0	155
6E5-41135-A0	REC6E5-41135-A0	155
6E5-43880-01/02	PH200-T037	65
6E5-44150-02	REC6E5-44150-02	213
6E5-44311-00	682-44323-00	247
6E5-44311-00	REC 6E5-44311-00	213
6E5-44311-00	REC6E5-44311-00	177, 217, 245, 246
6E5-44312-00	REC6E5-44312-00	177, 178, 213, 219, 220
6E5-44315-A0	REC6E5-44315-00	155, 177, 213, 215, 217, 219, 213, 217, 245, 246
6E5-44322-00	REC6E5-44322-00	246
6E5-44322-00	REC6E5-44322-00/41	177
6E5-44323-00	REC6E5-44323-00-40	213, 215, 245, 246, 248
6E5-44352-00	REC6E5-44352-01	177, 213
6E5-44352-01	CEF500371	221
6E5-44352-01	REC6E5-44352-01	178, 215, 217, 219, 220, 221, 177, 178, 213, 215, 217, 220, 244
6E5-44365-00	GLM38300	244
6E5-44365-00	REC6E5-44365-00	219
6E5-44366-00	GLM38301	177, 213, 215, 217, 245, 246
6E5-45113-A0	REC6E5-45113-A2	143, 145
6E5-45114-A0	REC6E5-45114-00	153
6E5-45251	TEN01105	60
6E5-45251	TEN01129	60
6E5-45300-16-8D	REC405-A20	215
6E5-45300-17-8D	REC405-A20	166
6E5-45300-26-8D	REC405-A25	215
6E5-45300-27-8D	REC405-A25	166
6E5-45301-03EK		213
6E5-45301-04-8D		215
6E5-45321-00	REC6E5-45321-00	177, 213, 215, 217
6E5-45331-00-94	REC6E5-45331-00-94	177, 215, 217, 213
6E5-45332-00-94	REC6E5-45332-00-94	215
6E5-45344-00	REC6E5-45344-00	177, 213, 215, 217, 218
6E5-45371-00	TEN01153	61, 215
6E5-45371-01	CM6E5-45371-01 / A	57, 213
6E5-45371-01	REC6E5-45371-01	215
6E5-45371-01	TEN01103	62

YAMAHA

REF.	R.O./OEM	PAG
6E5-45371-10	CM6E5-45371-10	207
6E5-45371-10	CM6E5-45371-10	56
6E5-45378-00	REC6E5-45378-00	177, 197, 217
6E5-45501-01	REC6E5-45501-01	213, 215
6E5-45501-21	REC6E5-45501-21	213, 215
6E5-45536-00	REC6E5-45536-00	213, 215
6E5-45551-02	REC6E5-45551-00	213, 215, 232, 233
6E5-45560-01	REC6E5-45560-00	213, 215, 232, 233
6E5-45567-01-60	REC6E5-45567-01	215
6E5-45571-01	REC6E5-45570-00	215
6E5-45571-04	REC6E5-45570-00	213
6E5-45576-00	REC6E5-45576-00	213, 215
6E5-45587-01	REC6E5-45587-01	177, 215
6E5-45611-01	REC6E5-45611-00	213, 215, 232, 233, 234
6E5-45631-01	REC6E5-45631-00	177, 215
6E5-45633-01	REC6E5-45633-01	177, 213, 215, 217, 232, 233, 234
6E5-45634-01	REC6E5-45634-01	177, 215
6E5-45641-02	REC6E5-45641-03	215
6E5-45641-03	REC6E5-45641-03	217
6E5-45641-03	REC6E5-45641-03	177, 213
6E5-45941-00-EL	SOL3411-130-19	253
6E5-45941-00-EL	SOL3413-125-19	253
6E5-45943-00-EL	SOL3411-130-21	253
6E5-45943-00-EL	SOL3413-125-21	253
6E5-45945-00-EL	SOL3411-133-17	253
6E5-45945-00-EL	SOL3513-128-17	253
6E5-45947-00-EL	SOL3411-135-15	253
6E5-45947-00-EL	SOL3413-130-15	253
6E5-45949-00-EL	SOL3411-138-13	253
6E5-45949-00-EL	SOL3413-133-13	253
6E5-45954-00-EL	SOL3411-140-11	253
6E5-45954-00-EL		253
6E5-45978-01	REC6E5-45978-00	217
6E5-45987-00	REC6E5-45987-00	177
6E5-45987-00	REC6E5-45987-00	213, 215
6E5-81800-12/11	PH130-0005	63
6E5-81941-11	REC61A-81941-00	64
6E5-81950-01	PH375-0047	64
6E5-8195A-01	PH375-0048	64
6E5-83558-00		197
6E5-85510-11/10	REC6E5-85510-11	66
6E5-85540-12/11/10	REC6E5-85540-12	67
6E5-85570-11/10	REC6E5-85570-11	68
6E5-W0001-21	GLM87831	226
6E5-W0001-51-00	REC6E5-W0001-F1	212
6E5-W0001-A2	REC6E5-W0001-A2	142, 145
6E5-W0001-F1	REC6E5-W0001-F1	214, 216, 226
6E5-W0078-01-00	REC6N6-W0078-02	212
6E5-W0093-06	REC6E5-W0093-06	159
6E5-W0093-07	REC6E5-W0093-07	159
6E5-W0093-08	REC6E5-W0093-08	159
6E7-11111-01-1S		100
6E7-11181-A2	REC6E7-11181-00	138, 145
6E7-11631-00-97	REC6E7-11631-00K	101, 125, 127
6E7-11635-00	REC6E7-11635-00K	101, 125
6E7-11636-00	REC6E7-11636-00K	101, 125
6E7-14227-00	REC6E7-14227-00	156
6E7-14385-00	REC6E7-14385-00	160
6E7-44366-00		189
6E7-45311-00-EJ		189
6E7-45331-00-9M	REC6E7-45331-00-CA	189
6E7-45501-00	REC6E7-45501-00	189
6E7-45501-10	REC6E7-45501-11	189, 227, 228
6E7-45536-00		189
6E7-45551-00	REC6E7-45551-00	189, 227, 228
6E7-45560-00	REC6E7-45560-00	189, 227, 228
6E7-45560-01	REC6E7-45560-01	173, 191
6E7-45571-00	REC6E7-45570-00	173, 189, 191, 227, 228, 229
6E7-45587-00-05		189
6E7-45587-00-08		189
6E7-45587-00-12		189
6E7-45587-00-30		189
6E7-45587-00-50		189
6E7-45978-01	REC6E7-45987-00	173
6E7-45987-01	REC6E7-45987-01	191
6E7-85570-19-00	REC6E7-85570-19	68
6E7-W0093-04	REC6E7-W0093-01	157
6E8-14390-12	REC6E8-14390-12	159
6E8-45251-00	CM6E8-45251-00	55
6E8-45251-00	TEN01106	60
6E8-45251-02	CM6E8-45251-01	55
6E8-45251-02	TEN01116	61
6E8-45587-10-13	PAF15-06000008	173, 191
6E9-11193-A0	REC6E9-11193-A0	151
6E9-12413-00-1S		108
6E9-12414-A1	REC6E9-12414-A0	108
6E9-12414-A1	REC6E9-12414-A1	164
6E9-14198-A0	REC6E9-14198-A0	149
6E9-41114-A0	REC6E9-41114-A0	147
6E9-82575-00	REC6E9-82575-02	69

YAMAHA

REF.	R.O./OEM	PAG
6E9-W0093-02	REC6E9-W0093-02	158
6E9-W0093-03	REC6E9-W0093-03	158
6EK-44323-00	REC68V-44323-00	244, 2488
6EO-45251-11-00	CM6EO-45251-11	54
6EO-45251-11-00	CM6EO-45251-11A	54
6F3-W0001-21	GLM87839	226
6F3-W0001-A4	REC6F3-W0001-04-00	142
6F5-11119-00		104, 108
6F5-11181-A1	REC6F5-11181-A2	108
6F5-11181-A2	REC6F5-11181-A2	138, 145
6F5-11412-11	REC6F5-11412-11	109, 134
6F5-11422-11	REC6F5-11422-11	109, 134
6F5-11432-11	REC6F5-11432-11	109, 134
6F5-11442-11	REC6F5-11442-11	109, 134
6F5-11515-00	REC6F5-11515-00	107, 109
6F5-11610-00	REC6F5-11610-00	109, 125
6F5-11610-10	REC6F5-11610-10	109, 125
6F5-11610-20	REC6F5-11610-20	109, 125
6F5-11633-00	REC6F5-11633-00	107, 109, 125, 126, 136, 137, 107, 109, 136, 137
6F5-11651-00	REC6F5-11651-00	109, 137
6F5-11681-00	REC6F5-11681-00	109, 137
6F5-12411-02	GLM13010	115
6F5-12411-02	REC6F5-12411-03	108
6F5-12411-03	GLM13010	163
6F5-13621-A1	REC6F5-13621-A1	149
6F5-13645-A1	REC6F5-13645-A0	149
6F5-13646-A1	REC6F5-13646-A2	149
6F5-14198-A1	REC6F5-14198-A1	149
6F5-14323-01	REC6F5-14323-00	160
6F5-14384-00	REC6F5-14384-00	156
6F5-14390-21	REC6F5-14390-21	159
6F5-14398-00	REC6F5-14398-00	156
6F5-15396-01-5B		108
6F5-24563-00	REC6F5-24563-00	52
6F5-24563-00	REC6F5-24563-00	51
6F5-26311-00	REC6F5-26311-00	161
6F5-41112-01-1S		108
6F5-41112-00	REC6F5-41112-A0	108, 147
6F5-41113-01-1S		108
6F5-41114-A0	REC6F5-41114-A0	108, 147
6F5-44352-00	CEF500352	221
6F5-44352-00	REC6F5-44352-00	203, 221
6F5-45113-A0	EC6F5-45113-A0	143
6F5-45279-01		203
6F5-45311-02-4D		203
6F5-45312-01-4D	REC6F5-45312-00-4D	203
6F5-45551-00	REC6F5-45551-00	203, 230
6F5-45560-00	REC6F5-45560-00	203, 230, 231
6F5-45570-00	REC6F5-45570-00	203, 231
6F5-85540-22	REC6F5-85540-22	66
6F5-85570-13	REC6F5-85570-11	68
6F5-W0001-C0	REC6F5-W0001-C0	202, 225
6F5-W0078-00	REC6F5-W0078-00	250
6F5-W0078-A0	REC6F5-W0078-A0	202, 245
6F6-11111-00-1S		108
6F6-11191-00-1S		108
6F6-11193-A1	REC6F6-11193-A1	108, 151
6F6-11400-01		109
6F6-11631-00-95	REC6F6-11631-00K	109, 125
6F6-11635-00		109
6F6-11636-00	REC6F6-11636-00K	109, 125
6F6-13610-00	REC6F6-13610-00	160
6F6-14341-00	REC6F6-14341-00	159
6F6-14385-00	REC6F6-14385-00	160
6F6-45300-02-4D		203
6F6-45300-12-4D		203
6F6-45300-22-4D		203
6F6-45611-00	REC6F6-45611-00	203, 230, 231
6F6-W0093-00	REC6F6-W0093-00	158
6F8-11181-A1	REC6F8-11181-A0	138
6G0-85540-11	REC6G0-85540-11	67
6G1-11193-A1	REC6G1-11193-A1	96, 146
6G1-11610-00	REC6G1-11610-00	95

YAMAHA

REF.	R.O./OEM	PAG
6G1-44323-00	REC6G1-44323-00	185, 244
6G1-44328-00	REC6G1-44328-00	185
6G1-44352-00	CEF500302	221
6G1-44352-00	REC6G1-44352-00	185, 221
6G1-45113-A1	REC6G1-45113-A1	96, 144
6G1-45251-02	CM6G1-45251-02	55
6G1-45251-02	TEN01108	61
6G1-45251-03	CM6G1-45251-03	55
6G1-45251-03	TEN01118	61
6G1-45315-A0	REC6G1-45315-A0	185
6G1-45316-09		185
6G1-45317-09		185
6G1-45331-01-5B		185
6G1-45362-09		185
6G1-45365-00		185
6G1-45533-00-19		185
6G1-45611-01	REC6G1-45611-01	185
6G1-45631-00	REC6G1-45631-00	185, 227
6G1-45632-00		185
6G1-45941-00-EL	SOL3011-085-09	252
6G1-45943-00-EL	SOL3011-085-08	252
6G1-45947-00-EL	SOL3011-085-07	252
6G1-81941-10	PH375-0041	64
6G1-81970-61/62	REC6G1-81970-62	66
6G1-W0001-C0	REC6G1-W0001-C1	223
6G1-W0078-A1	REC6G1-W0078-A1	184, 244
6G1-W0093-00	REC6G1-W0093-00	157
6G5-11111-04-1S		122
6G5-11181-A3	REC6G5-11181-A2	122, 139, 145
6G5-11193-A0	REC6G5-11193-A0	122
6G5-11193-A1	REC6G5-11193-A1	151
6G5-11382-A1	REC6G5-11382-A1	120, 122, 148
6G5-11411-02	REC6G5-11411-02	123, 135
6G5-11631-00-93	REC6G5-11631-00K	127
6G5-11642-00-93	REC6G5-11642-00K	127
6G5-12413-00-1S		120
6G5-12416-00		93
6G5-13645-A2	REC6G5-13645-A1	150
6G5-14416-A1	REC6G5-14416-A1	150
6G5-14483-A1	REC6G5-14483-01	150
6G5-41112-A1	REC6G5-41112-A1	122, 148
6G5-41114-A0	REC6G5-41114-A0	122, 148
6G5-41134-A1	REC6G5-41134-A1	155
6G5-41217-01	REC6G5-41217-00	156
6G5-43880-01/00	PH200-T030	65
6G5-44150-02	REC6G5-44150-02	177, 217
		177, 217, 219,
		248, 244, 245,
		246
6G5-44323-00	REC6G5-44323-00	
6G5-45113-A2	REC6G5-45113-A1	143, 145
6G5-45114-A1	REC6G5-45114-A0	152, 153
6G5-45251-01	CM6G5-45251-01	54
6G5-45251-01	CM6G5-45251-01A	54
6G5-45251-01	TEN01112	58
6G5-45251-02	TEN01112	58
6G5-45383-01	REC6G5-45383-01	177, 217
6G5-45384-00	REC6G5-45384-00	217
6G5-45384-00	REC6G5-45384-00	177
6G5-45501-21	REC6G5-45501-21	217
6G5-45536-01	REC6G5-45536-01	177, 217
6G5-45551-01	REC6G5-45551-00	177, 217, 233,
		234
6G5-45560-01	REC6G5-45560-00	217, 233
6G5-45567-01	REC6G5-45567-01	177, 217
6G5-45570-02	REC6G5-45570-00	177, 233, 234
6G5-45571-02	REC6G5-45571-00	217
6G5-45576-00	REC6G5-45576-10	177
6G5-45576-10	REC6G5-45576-10	217
6G5-45577-02	REC6G5-45577-02	217
6G5-45631-00	REC6G5-45631-00	177, 217, 233,
		234
6G5-45930-00-98	SOL3532-140-23	253
6G5-45941-00-98	SOL3511-155-13	
	SOL3512-142-23	253
	SOL3512-148-17	
6G5-45945-01-98	SOL3514-145-17	253
	SOL3571-153-19	
	SOL3512-150-15	
6G5-45947-01-98	SOL3514-148-15	253
	SOL3571-155-17	
	SOL3512-143-21	
	SOL3512-145-19	
6G5-45949-00-98	SOL3514-140-21	253
	SOL3514-143-19	
	SOL3571-148-23	
	SOL3571-150-21	
	SOL3511-150-15	
6G5-45952-00-98	SOL3513-148-15	253
	SOL3572-158-15	
6G5-45970-02-98	SOL3571-145-27	253
6G5-45972-02-98	SOL3532-140-19	253
6G5-45974-03-98	SOL3532-143-17	253
6G5-45976-01-98	SOL3532-140-21	253
6G5-45978-03-98	SOL3532-145-15	253
6G5-81960-A0	REC6G5-81960-A0	66
6G5-85510-10	REC6G5-85510-10	66
6G5-85540-12/11/10	REC6G5-85540-12	67
6G5-W0001-03	REC6G5-W0001-A3	142

YAMAHA

REF.	R.O./OEM	PAG
6G5-W0001-21-00	REC6E5-W0001-F1	176
6G5-W0001-A3-00	REC6G5-W0001-A3	122
6G5-W0078-A1	REC6G5-W0078-A1	216, 245, 246
6G5-W0078-A1-00	REC6G5-W0078-A1	176
6G8-11181-00	REC6G8-11181-A1	79
6G8-11181-A1	REC6G8-11181-A1	139
6G8-11325-00	CM6G8-11325-00	56, 79
6G8-11325-00	TEN01148	58
6G8-11351-00	REC6G8-11351-A0	79
6G8-11351-A0	REC6G8-11351-A0	144
6G8-12411-00	PAT15-0400010	79
6G8-12411-02	PAF15-07000031	87
6G8-12414-00	REC6G8-12414-A0	79
6G8-12414-A0	REC6G8-12414-A0	164
6G8-13440-00	REC6G8-13440-00	53
6G8-13645-00	REC6G8-13645-00	148
6G8-13646-00	REC6G8-13646-A0	148
6G8-14198-00	REC6G8-14198-A0	148
6G8-15363-00	PAF15-07050004	79, 85, 87
6G8-15363-00		91
6G8-15374-00	REC6G8-15374-00	148
6G8-41112-02	REC6G8-41112-02	79, 146
6G8-41114-00	REC6G8-41114-00	146
6G8-44352-00	PAF2.6-04000009	73
6G8-45113-A1	REC6G8-45113-A1	152
6G8-45251-00	CM6G8-45251-01	55
6G8-45251-00	TEN01137	60
6G8-45251-00	TEN01138	60
6G8-81870-00	REC6G8-81870-00	69
6G8-W0001-A3	REC6G8-W0001-A3	79, 143, 146
6G8-W0001-C0	REC6G8-W0001-C0	224
6G8-W0001-C2	REC6G8-W0001-C2	223
6G8-W0001-C4	REC6G8-W0001-C4	224
6G8-W0001-C6	REC6G8-W0001-C6	223
6G9-W0001-C0	REC6G9-W0001-C0	224
6G9-W0001-C2	REC6G9-W0001-C2	223
6G9-W0001-C6	REC6G9-W0001-C6	223
6G9-W0001-C4	REC6G9-W0001-C4	223
6H0-W0093-00	REC6H0-W0093-00	158
6H1-11631-03-95	REC6H1-11631-03K	126, 128, 129
6H1-14485-00	PAT15-04010202	73
6H1-15359-01-94		119
6H1-43880-00	PH200-T037	65
6H1-43880-02	PH200-T029	65
6H1-44144-00	REC6H1-44144-00	209, 211
6H1-45251-01	CM6H1-45251-01	55
6H1-45251-01	TEN01113	58
6H1-45251-03	TEN01115	58
6H1-45251-03	TEN01125	58
6H1-45301-04-EK		209, 211
6H1-45501-11-00		209, 211
6H1-45571-00		211
6H1-45571-00-00		209
6H1-45611-01	REC6H1-45611-00	211, 232
6H1-45611-01-00	REC6H1-45611-00	209, 232
6H1-45631-01	REC6H1-45631-01	211, 232
6H1-45631-01-00	REC6H1-45631-01	209
6H1-45634-02	REC6H1-45634-02	209, 211
6H1-45668-00	REC6H1-45668-00	219
6H1-85510-00	REC6H1-85510-00	66
6H1-W0001-A1	REC6H1-W0001-00-00	142
6H1-W0093-01	REC6H1-W0093-01-00	158
6H1-W0093-10	REC6H1-W0093-10	158
6H14525102	CM6H1-45251-02A	54
6H2-81960-10	REC6H2-81960-10	66
6H2-W0001-20	REC6H2-W0001-20	226
6H2-W0093-10	REC6H2-W0093-10	157
6H3-11111-01-1S		117
6H3-11181-A2	REC6H3-11181-A0	117, 138, 145
6H3-11191-00-1S		117
6H3-11193-A1	REC6H3-11193-A1	117, 151
6H3-11325-01	CM6H3-11325-01	117
6H3-11327-00-1S		117
6H3-11327-00-94		103, 104
6H3-11328-00		103, 104, 117
6H3-11400-03		117
6H3-11400-10-11		117
6H3-11631-01-96	REC6H3-11631-01K	117, 125, 128,
		129
6H3-11633-00	REC6H3-11633-00	117, 125, 126,
		137
6H3-11635-01	REC6H3-11635-01K	117, 125
6H3-11636-01	REC6H3-11636-01K	117, 125
6H3-12411-10	REC6H3-12411-10	117
6H3-12411-11	REC6H3-12411-10	164
6H3-12413-00-1S		117
6H3-12413-00-9M	PAF15-07010021	87
6H3-12413-001S	PAF15-07010021	81
6H3-12414-A1	REC6H3-12414-A1	117
6H3-13621-A1	REC6H3-13621-A1	149
6H3-13622-A1	REC6H3-13622-A1	149
6H3-14198-A1	REC6H3-14198-A1	149
6H3-14457-01	REC6H3-14457-01	156
6H3-14590-01	REC6H3-14590-00	159
6H3-15359-00-94		117

YAMAHA

REF.	R.O./OEM	PAG
6H3-41111-01-1S		117
6H3-41112-A0	REC6H3-41112-A0	117, 147
6H3-41113-02-1S		117
6H3-41114-A0	REC6H3-41114-A0	117, 147
6H3-41217-00	REC6H3-41217-00	156
6H3-44323-00-00	REC6H3-44323-00	244, 245, 247
6H3-44352-00	CEF500316	
	REC6H3-44352-00	221
6H3-45113-A0	REC6H3-45113-00	143, 145
6H3-45114-A1	REC6H3-45114-A1	152
6H3-45123-00	REC6H3-45123-00	154
6H3-45127-00	REC6H3-45127-00	154
6H3-81800-11/10	PH130-0050	63
6H3-W0002-02	REC6H3-W0001-02	116
6H3-W0001-02	REC6H3-W0001-02	140
6H3-W0001-21	REC6H3-W0001-C1	225
6H3-W0001-22	REC6H3-W0001-22	224
6H3-W0078-00	REC6H3-W0078-00	250
6H3-W0093-02	REC6H3-W0093-02	158
6H4-11119-01		111
6H4-11181-A2	REC6H4-11181-00	138
6H4-11372-01		111
6H4-11400-14		113
6H4-11536-00		113
6H4-11610-00	REC6H4-11610-00-00	126
6H4-11631-00-96	REC6H4-11631-00K	126, 128
6H4-11631-01-95	REC6H4-11631-01K	113, 125, 128
6H4-11634-01	REC6H4-11634-01	113, 125, 126
6H4-11635-01	REC6H4-11635-01K	113, 125
6H4-11636-01	REC6H4-11636-01K	113, 125
6H4-11641-00		113
6H4-12413-00-1S		111
6H4-12413-00-9M		104
6H4-14198-00	REC6H4-14198-09	149
6H4-14198-01	REC6H4-14198-01	149
6H4-14548-00	PAF25-05070019	161
6H4-15369-A1	REC6H4-15369-A1	113
6H4-15396-03-5B		113
6H4-41111-00-1S		111
6H4-41112-A0	REC6H4-41112-A0	111, 147
6H4-41113-00-1S		111
6H4-41114-A0	REC6H4-41114-A0	111, 147
6H4-41134-A0	REC6H4-41134-A0	154
6H4-44352-02	CEF500385G	221
6H4-44352-02	PAF25-04040000	174
6H4-44352-02	REC6H4-04352-02	195
6H4-44352-02	REC6H4-44352-02	197, 199, 201,
		221
6H4-45113-A0	REC6H4-45113-00	144, 145
6H4-45301-01-EK		199
6H4-45321-01		199
6H4-45501-00		199
6H4-45501-10		199
6H4-45536-00		199, 201
6H4-45551-00	REC6H4-45551-00	199, 230, 231
6H4-45560-00	REC6H4-45560-00	199, 230, 231
6H4-45567-00		199
6H4-45571-00	REC6H4-45570-00	199, 230, 231
6H4-81800-12 //11/10	PH130-0063	63
6H4-W0001-01	REC6H4-W0001-A1	141, 145
6H4-W0001-04	REC6H4-W0001-04	140
6H4-W0001-21	GLM87834	224
6H4-W0001-21	REC6H4-W0001-21	198
6H4-W0078-00	REC6H4-W0078-00	249
6H4-W0078-A0	GLM12064	198, 245
6H4-W0093-01	REC6H4-W0093-01-00	158
6H4-W0093-03	REC6H4-W0093-03	157
6H5-43880-02/09	PH200-T048	65
6J1-11610-00	REC6J1-11610-00	95
6J4-81800-01/00	PH130-0062	63
6J8-11111-00-94		104
6J8-11111J-00		104
6J8-11181-A1	REC6J8-11181-A2	104
6J8-11181-A2	REC6J8	

YAMAHA

REF.	R.O./OEM	PAG
6J8-44311-00	REC6J8-44311-00	197
6J8-45113-A0	REC6J8-45113-00	104, 144, 145
6J8-45300-04-4D		197
6J8-45300-14-4D		197
6J8-45301-02-4D		197
6J8-45501-00		197
6J8-45501-10		197
6J8-45536-00		197
6J8-45551-00		197
6J8-45560-00		197
6J8-45567-01		197
6J8-45571-00		197
6J8-45611-00		197
6J8-45631-00		197
6J8-45635-00		197
6J8-85540-H2	REC6J8-85540-H2	67
6J8-W0001-21	GLM87833	224
6J8-W0001-C2	GLM87833	196
6J8-W0078-A1	GLM12284	249
6J8-W0078-A1	GLM12285	249
6J8-W0078-A2	GLM12285	196, 244
6J9-45214-00		177
6J9-45215-00		177
6J9-45301-05-8D		217
6J9-45332-00-94	REC6E5-45331-00-94	177
6J9-45332-00-CA	REC6J9-45332-00-CA	217, 233, 234
6J9-45371-00	TEN01143	62
6J9-45371-01	CM6J9-45371-01 / A	57, 177
6J9-45371-01	GLM12883	217
6J9-45371-01	TEN01133 DX220	62
6J9-45371-02	CM6K1-45371-02 / A	57
6J9-45611-01	REC6J9-45611-00	177, 217, 233, 234
6K1-45371-00	CM6K1-45371-00 / A	57
6K1-45371-00	TEN01144	61
6K1-45371-02	TEN01134 SX220	62
6K1-45945-01-98	SOL3511-145-19	253
	SOL3513-143-19	
	SOL3572-153-19	
	SOL3511-148-17	
6K1-45947-00-98	SOL3513-145-17	253
	SOL3572-155-17	
	SOL3531-145-15	
6K1-45970-01-98	SOL3531-140-21	253
6K1-45974-02-98	SOL3531-140-19	253
6K1-45976-00-98	SOL3531-140-23	253
6K1-45978-02-98	SOL3531-143-17	253
6K1-82510-06	REC6K1-82510-07	70
6K5-11601-02	REC6K5-11601-02	117, 125, 126, 128, 129
6K5-11601-12	REC6H3-11601-12	117
6K5-11601-22	REC6H3-11601-22	117
6K5-11631-03-95	REC6K5-11631-03K	126, 128
6K5-W0001-02	REC6K5-W0001-02	141
6K5-W0078-01	REC6K5-W0078-01	245, 250
6K7-11633-00	REC6K7-11633-00	127, 138
6K7-13645-A2	REC6K7-13645-A2	150
6K7-W0093-09	REC6K7-W0093-09	159
6K8-41121-00-1S		103
6K8-41122-A1	REC6K8-41122-A1	103, 147
6K8-41124-A1	REC6K8-41124-A1	103, 147
6L2-11181-A3	REC6L2-11181-A1	138, 145
6L2-11193-A1	REC6L2-11193-A1	151
6L2-14384-00	REC6L2-14384-00-00	156
6L2-14385-00	REC6L2-14385-00	160
6L2-14399-00	REC6L2-14399-00	156
6L2-26301-00	REC6L2-26301-00	161
6L2-41112-A2	REC6L2-41112-A3	147
6L2-41114-A1	REC6L2-41114-A1	147
6L2-41133-A3	REC6L2-41133-A3	153
6L2-41134-00	REC6L2-41134-00	153
6L2-44147-00	PAF4-03000014	171
6L2-44323-00	GLM12508	248
6L2-44352-00	CEF500384	221
	REC6L2-44352-00	
6L2-44367-00	PAF25-04050004	174, 195, 244, 245
6L2-45113-A1	REC6L2-45113-A2	144, 145
6L2-45214-00	PAF25-04000022	175
6L2-45215-00	PAF25-04000023	175
6L2-45567-00-10	PAF25-04000004-1	195
6L2-45567-10	PAF25-04000004-1	175
6L2-45567-11	PAF25-04000004-2	175
6L2-45567-12	PAF25-04000004-3	175
6L2-45567-13	PAF25-04000004-4	175
6L2-45567-14	PAF25-04000004-5	175
6L2-45577-00-10	PAF25-04070005-1	175, 195
6L2-45577-00-11	PAF25-04070005-2	175
6L2-45577-00-12	PAF25-04070005-3	175
6L2-45577-00-13	PAF25-04070005-4	175
6L2-45611-00	REC6L2-45611-00	195, 229, 230
6L2-45987-01	PAF25-04000024	175
6L2-45987-01	REC6L2-45987-00	195, 197
6L2-81800-11/20	PH130-0061	63
6L2-W0001-A2	REC6L2-W0001-03-00	141
6L2-W0001-C3	REC6L2-W0001-C3	224
6L2-W0078-00	GLM12277	244, 249

YAMAHA

REF.	R.O./OEM	PAG
6L2-W0093-00	REC6L2-W0093-00	157
6L5-24251-00	PAF4-04120005	51, 52
6L5-44322-00	PAF2.6-03000015	169
6L5-44323-00	REC6L5-44323-00	247
6L5-44352-00	CEF500322	221
6L5-44352-00	PAF2.6-03000100	169
6L5-44352-00	REC6L5-44352-00	221
6L5-45251-02	CM6L5-45251-02	55, 181
6L5-45251-02	CM6L5-45251-02A	55
6L5-45251-02	TEN01117	61
6L5-45251-03	CM6L5-45251-03	183
6L5-45316-09	PAF2.6-03000003	169
6L5-45317-09	PAF2.6-03000002	169
6L5-45533-00-20	PAF2.6-03000017	169
6L5-45551-00	PAF2.6-03000018	169
6L5-45560-00	PAF2.6-03000019	169
6L5-45616-00	PAF4-03080000	169, 171
6L5-45616-02		183
6L5-45631-00	PAF2.6-030000201	169
6L5-45631-00	PAF2.6-030000202	169
6L5-45943-00-EL	PAF2.6-03010000	169
6L5-45949-00-EL	SOL3011-073-055S	252
6L5-45987-01	PAF4-03000025	183
6L6-45577-00		215
6L8-G3118-01	REC6L8-G3118-01	221
6M8-G5300-00-4D		185
6M8-G5300-10-4D		185
6N0-E1191-00-9M		96
6N0-E1400-00		97
6N0-E1412-00		97
6N0-E1422-00		97
6N0-E1432-00		97
6N0-E1442-00		97
6N0-E1515-00		97
6N0-E1603-00		97
6N0-E1631-00-64		97
6N0-E1633-00		97
6N0-E1651-00		97
6N0-G1111-00-9M		96
6N0-G2177-00	REC6N0-G2177-00	221
6N0-G4150-00		185
6N0-G4150-10		185
6N0-G4311-00		185
6N0-G5311-00-4D		185
6N0-G5361-00-4D		185
6N0-G5551-00	REC6N0-G5551-00	185, 227
6N0-G5551-00		185
6N0-G5551-10		185
6N0-G5560-00	REC6N0-G5560-00	185, 227
6N0-G5571-00	REC6N0-G5571-00	185, 227
6N0-W0001-20	REC6G1-W0001-C1	184
6N6-W0001-A3	REC6N6-W0001-A3	120
6N6-W0078-00	GLM12264	251
6N6-W0078-02	REC6N6-W0078-02	212, 245, 251
6N6-W0093-02	REC6N6-W0093-02	159
6N7-11411-00	REC6N7-11411-00	121
6N7-81800-00/01/10	PH130-0051	63
6P2-11181-00 (STB)	REC6P2-11181-00	140
6P2-11182-00 (PORT)	REC6P2-11182-00	140
6P2-44323-00	REC6P2-44323-00	248
6P3-24564-00	REC6P3-24564-00	52
6P3-WS24A-00	REC6P3-WS24A-00	51
6PS-44323-00	REC6P2-44323-00	178
6R0-44366-00	PAF4-03000021	169
6R3-85570-01	REC6R3-85570-01	68
6R3-W0001-A3	REC6R3-W0001-03	142
6R5-11361-11-93	REC6R5-11361-11K	121, 126
6R5-11603-00	REC6R5-11603-00	126, 129, 130
6R5-11631-11-93	REC6R5-11631-01K	127
6R5-11633-10	REC6R5-11633-00	121, 123, 126, 127, 137
6R5-11634-10	REC6R5-11634-00	121, 123, 126, 127, 137
6R5-11635-11	GLM24730	121
6R5-11636-11	GLM24750	121
6R5-11642-11-93	REC6R5-11642-01K	127
6R5-11642-11-93	REC6R5-11642-11K	121, 126
6R5-11645-11	GLM24720	121
6R5-11646-11	GLM24740	121
6R5-11650-10	REC6R5-11650-10	121, 123
6R5-45631-01	REC6E5-45631-00	213, 232, 233, 234
6R6-W0001-02	REC6R6-W0001-02-00	141, 145
6R7-11181-A1	REC6R7-11181-A0	139, 145
6S1-41136-00	REC6S1-41136-00	155
6T4-45836-00	CM6T4-45836-00	56
6T4-45836-00	TEN01122	61
6T5-45251-00	TEN01139	60
6T5-45371-00	CM6T5-45371-00	57
6T5-45371-00	TEN01119	62
6T5-45373-00-00	TEN01120	58
6T545373-00	CM6T5-45373-00	56
6U0-45251-00	TEN01157	60
6U4-45251-00	TEN01159	58
6U4-45373-00	TEN01158	61
6U0-45251-00	CM6U0-45251-00	55

YAMAHA

REF.	R.O./OEM	PAG
6Y1-24305-06	GS31074	49
703-82510-12	REC703-82510-13	70
703-82510-43	REC703-82510-44	70
7FK-11654-00	PAF2.6-04000003	75
7FK-12158-00	PA166F-010011	75, 77
7FK-12165-00	PA166F-010010	75, 77
7NJ-12117-00	PAF4-04080010	75, 77
7NJ-12118-00	PA166F-010006	75
7NJ-12118-00	PAF4-04080011	77
90101-06021		111
90101-06M56	GLM22507	193
90101-08001		108
90101-08002		106
90101-08022		117
90105-06039		75
90105-06M01	REC90105-06M01	203
90105-06M07		91, 93
90105-06M14		94, 96
90105-06M16		94
90105-06M17		94
90105-06M24		94, 96
90105-06M25		96
90105-06M26		96
90105-07002		100
90105-08046-00	PAF4-04000033	77
90105-08M02		193
90105-08M36	PAF4-04000034	75
90105-08M36-00	PAF4-04000034	77
90105-08M48		219
90105-08M61		201
90105-08M76	PAF4-04000001	73
90105-08M78	PAF15-07000028	85
90105-10M00		219
90105-10M12	PAF25-00000011	175
90105-10M99		91
90109-06M65	PAF25-05050006	87
90109-08022	REC90109-08022	115, 119, 123
90109-08M63	PAF25-05050019	89
90109-08M71	REC90109-08M71	121
90116-08M69		117
90116-10177		115
90119-06023		98, 117
90119-06048		98
90119-065MA3		117
90119-06M10	REC90119-06M10	215, 218
90119-06M12		115
90119-06M13		111
90119-06M15		98
90119-06M16		98
90119-06M40		183
90119-06M80-00		78
90119-06MA0		103
90119-06MA2		93, 100, 103, 115
90119-06MA3	PAGB/T5785-2000	89
90119-06MA3		87, 98, 103, 106, 108, 111, 93, 98, 100, 103, 108, 115, 120
90119-06MA4		87, 106, 111, 117, 118, 120, 122
90119-06MA5		87
90119-06MAS		91
90119-07235		80
90119-08009		103
90119-08015		103, 111
90119-08018		115
90119-08019		111
90119-08M01		87
90119-08M07		100
90119-08M13	REC90119-08M13	197, 207
90119-08M14	REC90119-08M14	178, 179, 215, 217, 219, 220
90119-08M15	REC90119-08M15	201
90119-08M19		104
90119-08M21	REC90119-08M21	104
90119-08M34		197
90119-08M64		117
90119-08M65		103
90119-08M66		93
90119-08M91		91
90119-08MA5		106, 108, 117
90119-08MA8		115, 120
90119-09M00	PAF25-05000002	87
90119-10005		106, 108, 115, 117
90119-10M88		93
90119-10M89		219
90141-06M00		106, 108
90142-05M06		201
90149-06003		187
90149-06M00		203
90151-06M01		98
90151-06M02		103
90152-05003		219
90159-06M29		91

YAMAHA

REF.	R.O./OEM	PAG
90170-12138	REC90170-12138	199, 201, 205
90170-16M01	REC90170-16M01	177, 207, 211, 213, 215
90170-16M01-00	REC90170-16M01	209
90170-16M19	REC90170-16M19	219
90170-28M37	PAF15-07030005	83
90170-35M47	PAF25-05000026	89
90171-10M01	REC90171-10M01	173, 191
90171-14013	PAF25-04000027	175
90171-14013	REC90171-14013	193, 195, 197
90171-16011	REC90171-16011	199, 201, 205, 207, 211
90171-16011-00	REC90171-16011	209
90171-18M04	REC90171-18M04	177, 213, 215, 217, 219
90179-08M06	REC90179-08M06	173, 189, 191
90179-08M34		117
90179-09M02	REC90179-09M02	193
90179-10M14	PAF25-04000006	175
90179-10M14	REC90179-10M14	195, 197
90183-02M03	REC90183-02M03	219
90185-05904		219
902-14-45M02		193
90201-02M00	REC90201-02M00	219
90201-06M94	PAGB/T5287-85	83
90201-07M01		83
90201-08023		219
90201-08818	PAF4-04000006	78
90201-08818	PAGB/T5783-2000	81
90201-08818-00	PAF4-04000006	73
90201-08M54	PAF4-03000026	169, 171, 183
90201-10008		115
90201-10M06	PAF25-05050018	89
90201-11M49	PAF4-03000006	171, 181, 183
90201-13198	PAF2.6-03000021	169, 187
90201-13201	PAF15-07040017	83
90201-13M50		183
90201-14377	REC90201-14377	101, 135, 136
90201-15229		187
90201-15M89		185
90201-16379		105
90201-16M00	REC90201-16M00	219
90201-16M03		100
90201-17682	REC90201-17682	173, 189, 191
90201-17M00	REC90201-17M00	211
90201-17M00-00	REC90201-17M00	209
90201-20417	PAF25-04060007	175
		107, 109, 115, 117, 119, 193, 195, 197, 136, 137
90201-20417	REC90201-20417	103, 136
90201-20M27	REC90201-20M27	203
90201-20MA8		103
90201-21567		199, 201, 205
90201-22429	REC90201-22429	217, 219
90201-22M01	REC90201-22M01	75
90201-23008	PAF2.6-04000003	121, 123, 137
90201-23M01	REC90201-23M01	77
90201-266P2	PAF4-04000004	201
90201-27M00		177, 213, 215, 217
90201-30M92	REC90201-30M92	219
90201-31M00	REC90201-31M00	95
90201-32M48		97, 98
90201-41303		101
90201-46M29	REC90201-46M29	103, 105, 113
90201-50306		219
90201-98023		175, 211
90202-12060	PAF25-02000019	209
90202-12060-00		217, 219
90206-22M19	REC90206-22M19	193
90209-06M04		211
90209-08M02		209
90209-08M02-00		95, 97, 135, 136
90209-18112	REC90209-18112	101, 136
90209-20M23	REC90209-20M23	103, 136, 137
90209-24M03	REC90209-24M03	107, 109, 136, 137
90209-27M07	REC90209-27M07	197
90214-45M02		199, 205
90214-48M03	REC90214-48M03	181
90250-03M10	REC90250-03M10	175
90250-05010	PAF15-06070004	173, 189, 191, 193, 195, 197
90250-05010	REC90250-05010	187
90250-05036	REC90250-05036	183
90250-05046	REC90250-05046	199, 201, 203, 205
90250-06023	REC90250-06023	207, 211
90250-07M02	REC90250-07M02	209
90250-07M02-00	REC90250-07M02	177, 213, 215, 217
90250-08M07	REC90250-08M07	217
90280-03024	PAF25-04000015	175, 244
90280-03024	REC90280-03024	185, 187, 189, 197, 199, 244, 245

YAMAHA

REF.	R.O./OEM	PAG
90280-03M01	PAGB/T1099-1979	83
90280-03M03	REC90280-03M03	195, 201, 205, 244, 245
90280-04002	REC90280-04002	179
90280-04M00	REC90280-04M00	203, 245
90280-04M04	REC90280-04M04	207, 211, 244, 245
90280-04M04-00	REC90280-04M04	209
		178, 215, 217, 219, 220, 244, 245, 246
90280-04M05	REC90280-04M05	90
90280-04M06	PAF25-05000024	89
90280-04M06	PAF4-04000019	103
90280-05049	REC90280-05015	193, 197, 199, 205, 207, 215
90282-04010	REC90282-04010	187
90334-1008		169, 171, 173, 183, 191
90340-08002	PAF4-03000023	195, 205, 207, 219
90340-08002	REC90340-08002	197, 201, 203, 217
90340-08002	REC90340-08014	189
90340-08014	REC90340-08014	175, 181, 193
90340-08M04	PAF4-03000023	177, 187, 213, 215
90340-08M04	REC90340-08014	215
90340-14036		108, 115
90340-14M00	PAF15-04000002	111, 117
90340-14M06	PAF15-04000002	87, 93
90340-18M09		91
90344-51019		219
90370-09M00		191
90381-14020	PAF15-06020002	222
90386-22M15	PAF15-01010302	222
90386-25M31	REC90386-25M31	222
90386-30048	PAF15-01000004	222
90386-30M77	REC90386-30M77	222
90386-44M03	PAF25-01000004	222
90386-52M02	PAF25-01000001	160
90387-06119	REC624-42542-00	171
90387-06806	PAF4-00000001	183
90387-06M14	PAF4-00000001	91
90387-10M08		85
90387-13001	PAF15-07040009	85
90387-13002	PAF15-07040011	85
90387-13M56	PAF15-07040012	187
90387-14108		185
90387-14M49		96
90387-22M50		103
90387-32002	REC90387-32002	201
90389-22M01	REC90389-22M01	207
90389-25M00	GLM21223	93
90401-20007		81, 87
90401-20M00	PAF15-07010003	87
90430-06014	PAF25-05050007	90
90430-06014	REC90430-06014	91, 93, 187, 203
90430-06M03	REC90430-06M03	195
90430-08020	GLM38015	169, 171
90430-08020	PAF4-03000024	215
90430-08020	REC90430-05020	173, 177, 178, 179, 181, 183, 191, 193, 197, 201, 203, 205, 207, 211, 213, 217, 219, 187, 189
90430-08020	REC90430-08020	209
90430-08800-00		77
90430-08801		185
90430-12072	PAF25-02000005	175
90430-12072	REC90430-12072	201, 207, 211
90430-12072-00	REC90430-12072	209
90430-14115	PAF15-04000003	93, 108
90430-14115	REC90430-14115	90, 111, 115, 117
90430-14M09		87
90430-18130	PAF15-04000003	93
90445-07240		115
90445-07258		98
90445-07M00		94, 94
90445-07M02	REC90445-07M28	117
90445-07M02	REC90445-07MA3	100, 106
90445-07M08		111
90445-07M24		111
90445-07M27		111
90445-07M29		104
90445-07M31		197
90445-07M32		94
90445-07M44		117
90445-07M45		117
90445-07M46		111
90445-07M82		111
90445-07MA3		111
90445-07ME9		197
90445-09061	PAF15-05000012	81

YAMAHA

REF.	R.O./OEM	PAG
90445-09068	PAF25-03000008	87
90445-09086	PAF15-05000013	81
90445-09095	PAF25-03000009	87
90445-09104	PAF15-05000014	81
90445-09105	PAF25-03000011	87
90445-09105		100
90445-09807	PAF4-04000012	77
90445-09808	PAF2.6-04000007	75
90445-09M37		108, 111
90445-09M75		106
90445-10M03		98
90445-10M41		103
90461-04011		115
90464-07015		98
90464-07M05	PAF25-05000016	117
90464-10010		93
90464-11009		93
90464-16001		93
90464-18004		93
90465-08M99	PAF25-05000013	73
90465-08M99	PAGB/T5783-2000	73
90465-11M10	PAHT-2.5X60	87
90465-11M10		93, 197
90467-06016	PAHT-2.5X60	104
		94, 98, 100, 111, 115, 117
90467-08004		111, 115, 117
90467-08M01	PAF4-03000005	171, 183
90467-09M09	PAF4-04000030	87, 98
90467-20M15		93
90480-10M16	PAF15-07050003	83
90480-12072	PAF15-07010027	83, 91
90480-18065		108, 115
90480-19M06		211
90480-19M06-00		209
90480-20M05		93, 118, 122
90480-24M04		118
90501-10064	PAF4-03030003	169, 183, 187
90501-10065	PAF25-04060002	175, 193, 195, 197
90501-10M77	REC90501-10M77	219
90501-11M10	REC90501-11M10	213, 217, 218
90501-11M18	REC90501-11M18	177
90501-12M38		185
90501-12M40	PAF15-07040014	85
90501-12M41	PAF15-07040013	85
90501-13M37	REC90501-13M37	213
90501-14234		115
90501-14M02		108
90501-14M06	PAF15-06070002	173, 191
90501-14M06	REC90501-14M06	189
90501-15M01		201
90501-16233	REC90501-16233	205, 207
90501-16M11		199, 203
90501-16M11		93, 118
90501-16M37	REC90501-16M37	177, 215, 217
91301-30M17	REC93101-30M17	177, 213, 215, 217, 219
91490-25030	GB/T91-86	171
91490-25030	PAGB/T91-1.6X12	183
91490-25030	PAGB/T91-86	169
91490-30020	REC91490-30020	173, 191
91490-30022	PAGB/T91-86	175
91490-30025	REC91490-30025	201
91490-30030	REC91490-30030	193, 199
91490-30040	REC91490-30040	181
91490-40025	REC91490-40025	205, 207
91490-40030	REC91490-40030	177, 211, 213, 215, 217, 219
91490-40030-00	REC91490-40030	209
91609-20008		97, 101
91690-30010		108
91809-08006		91
91810-03014	PAF15-07000001	79
92903-06600		103
92907-04600		91
92955-08600-00	PAGB/T91-1.85	78
92990-06200		189
92990-06300	PAGB/T861-1.87	169, 175, 181
92990-06300		183, 185, 187, 195
92990-06600	REC61A-12414-A0	105
92990-06600		104, 181, 187, 189, 201
92990-08100		199
92990-08600		199, 218
92990-14200	PAGB/T97.1-14	195
92990-14200	PAGB/T 97.1-14	197
92990-14200	PAGB/T97.1-85	175
92990-14200		193
92990-16200	GLM21225	199, 205
92990-18200	GLM21221	177, 213, 215, 217
92990-18200		219
92995-05600		87
92995-06600	PAGB/T5783-2000	113, 169
92995-06600	PAGB/T91-1.85	85

YAMAHA

REF.	R.O./OEM	PAG
92995-06600	PAGB/T97.1-6	173, 195
92995-06600	PAGB/T97.1-85	83, 91, 93, 101, 103, 106, 117, 181, 191
92995-06600		73, 75, 91, 95, 96, 98, 108, 115, 183, 185, 195, 205, 207
92995-06600-00		77
92995-08600	GLM21720	203, 205, 215
92995-10600	PAGB/T97.1-85	175
93101-10M14	PAF4-03000027	171
93101-10M14	REC93101-10M14	183
93101-10M25	REC93101-10M25	95
93101-11M23	REC93101-11M23	185
93101-11M44		181
93101-12M26	REC93101-12M26	96
93101-13018	REC93101-13018	109, 171
93101-13M12	PAF4-03050002	169, 191
93101-13M12	REC93101-13M12	183
93101-14M01	REC93101-14M01	98
93101-15074	REC93101-15074	185, 187
93101-16001	REC93101-16001	103, 106
93101-17054	REC93101-17054	173, 189, 191
93101-18050	REC93101-18050	187
93101-20048	REC93101-20048	173, 189, 191, 203
93101-20M07	PAF25-04070006	175
93101-20M07	REC93101-20M07	193, 195, 197
93101-20M29	REC93101-20M29	95, 98
93101-20M34	REC93101-20M34	96
93101-22067	PAF25-04010003	175
93101-22067	REC93101-22067	193, 195, 199, 205
93101-22M00	REC93101-22M00	201, 203
93101-22M15	REC93101-22M15	121, 123
93101-22M60	REC93101-22M60	201
93101-23070	REC93101-23070	197, 199, 205
93101-25018	REC93101-25018	101
93101-25M03	REC93101-25M03	207, 211
93101-25M03-00	REC93101-25M03	209
93101-25M28		105
93101-28M16	REC93101-28M16	177, 178, 213, 215, 217, 218, 220
93101-30M33	REC93101-30M33	108
93102-09004		73
93102-10004	PAF4-04060004	78
93102-18M21	PAF15-07040008	83
93102-18M21	REC93102-18M21	83
93102-20108	PAF2.6-04010001	73
93102-20108	PAF4-04060003	78
93102-20108	PAGB/T97.1-85	81
93102-20M25	REC93102-20M25	96, 98
93102-25008	REC93102-25008	103
93102-25090	PAF4-04010004	78
93102-25090	PAGB/T5783-2000	81
93102-25M28	REC93102-25M28	113
93102-25M48	REC93102-25M48	101
93102-25M52	PAF15-07030007	83
93102-25M52	REC93102-25M52	83
93102-26M27	REC93102-26M27	105
93102-28135	REC93102-28135	115
93102-30M05	REC93102-30M05	119
93102-30M23	REC93102-30M23	117
93102-30M56	REC93102-30M56	106
93102-32M07	REC93102-32M07	103, 115
93102-35M13	REC93102-35M13	121, 123
93102-35M47	PAF25-05020002	89
93102-35M47	REC93102-35M47	90
93102-35M51	PAF15-07030006	83
93102-35M51	REC93102-35M51	83
93102-36M02	REC93102-36M02	119
93102-36M24	REC93102-36M24	117
93102-37M40	PAF25-05050021	89
93102-37M40	REC93102-37M40	90
93102-40M14	REC93102-40M14	121, 123
93102-43M42	PAF25-05020003	89
93102-43M42	REC93102-43M42	90
93103-09M41	PAF2.6-03000004	169
93103-10052	REC93103-10052	181
93103-11051	REC93103-11051	181
93104-16M01	REC93104-16M01	108, 113
93104-16M04	REC93104-16M01	105
93104-18049	REC93104-18049	115
93104-20M02	REC93104-20M02	119
93106-09014	REC93106-09014	205, 207, 211, 215, 217, 218
93106-09014-00	REC93106-09014	209
93106-18M01	REC93106-18M01	117
93109-24001		179
93110-23M00	REC93110-23M00	101
93140-22M07	REC93140-22M07	179
93170-16M01	REC93170-16M01	217
93210-05001	PAF2.6-03000009	169
93210-06ME6	PAF15-06020004	174
93210-06ME6	PAF4-03000024	175

YAMAHA

REF.	R.O./OEM	PAG
93210-06ME6	REC93210-06ME6	173, 191, 195, 201
93210-07540		211
93210-07540-00		209
93210-09004	PAF2.6-04060002	73
93210-12MG9	PAF25-05050013	89
93210-12MG9	REC93210-12MG9	89
93210-14515	PAF25-05050014	89
93210-14515	REC93210-14515	89
93210-19123		181
93210-22164	PAGB/T3452.1-25.8X2.65	195
93210-22M02	REC93210-22M02	108
93210-24M79	PAF4-04000008	78
93210-24M79	PAJASO F404 31-025	85
93210-24M79	PAJASO F404 31-025	73
93210-24M79	PAJASO F404-31-025	90
93210-24M79	PAJASO-F40431-025	79
93210-24M79		87, 91
93210-26130	PAGB/T3452.1-25.8X2.65	195
93210-26130	PAGB/T3452.1-92	174
93210-30MA3		193
93210-31MJ5		95
93210-337MG4	REC93210-33MG4	201
93210-33M85	PAJASO F404 19-033	169
93210-33MH2	PAF25-05050015	89
93210-33MH2	REC93210-33MH2	90
93210-34MJ6		90
93210-35537	PAF4-04060002	73, 78
93210-37160	REC93210-37160	179, 215, 217, 177, 178, 213, 219, 220
93210-37M67	REC93210-37M67	193
93210-40M10	GLM84285	193
93210-41042	REC93210-41042	197, 199, 205
93210-42101	REC93210-42101	181
93210-42159	REC93210-42159	96, 98, 105, 115
93210-42M70	REC93210-42M70	98
93210-44398	PAJA50F404-96	191
93210-44398	REC93210-44398	173, 244
93210-45161	PAF25-04050003	174, 195, 244, 245
93210-46044	REC93210-46044	207, 211
93210-46044-00	REC93210-46044	209
93210-46M16	REC93210-46M16	101, 103, 117, 119
93210-48214	PAJISB2401 P48	169, 171
93210-48214	REC93210-48214	183
93210-48MG8	REC93210-48MG8	201
93210-49046	REC93210-49046	185, 199, 205, 207, 211, 244
93210-49046-00	REC93210-49046	209
93210-53M08	REC93210-53M08	185
93210-54534	GLM84215	177
93210-54534	REC93210-54534	213, 218
93210-54M54	REC93210-54M54	96
93210-55M14	GLM84215	215, 217
93210-56M80	PAF15-06080003	173, 191
93210-56M80	REC6E5-12411-01	105
93210-57M00		203
93210-57M09	REC93210-57M09	173, 189, 191, 215, 217, 177, 187, 213, 103, 113
93210-58144	REC93210-58677	187, 217
93210-58M21	REC93210-58M21	103, 113
93210-59MG7	REC93210-59MG7	201, 244, 245
93210-60MA3	REC93210-60MA3	197
93210-62269	REC93210-62269	115, 119
93210-64ME7	PAF25-04070002	175
93210-64ME7	REC93210-64ME7	195
93210-65752	REC93210-65752	218
93210-65M50	PAF25-04070003	175
93210-65M50	REC93210-65M50	106, 108, 117, 195
93210-66M98	REC93210-66M98	199, 205
93210-69MG6	REC93210-69MG6	201
93210-74M35	REC93210-74M35	121, 123
93210-74MG5	REC93210-74MG5	201
93210-85M97	REC93210-85M97	207, 211
93210-85M97-00	REC93210-85M97	209
93210-86M38	REC93210-86M38	177, 178, 213, 215, 217, 219, 220, 244, 245, 246
93210-86M39	REC93210-86M39	213, 215
93210-94003	REC93210-94003	179
93210-94003		179
93210-97M55	REC93210-97M55	177, 217
93211-04001	REC93211-04001	121, 123
93211-04384	REC93211-04384	219
93306-00001		181
93306-001U1	REC93306-001U1	201, 236, 237, 238
93306-00426		187
93306-004U0	PAGB/T276-6004-C2	183
93306-004U0	PAGB/T276-94	183
93306-004YH		185
93306-00501	REC93306-00501	173, 189, 191, 234, 235
93306-00519	REC93306-00519	187, 234
93306-00612	PAKOYO 6006C3	175

YAMAHA

REF.	R.O./OEM	PAG
93306-00612	REC93306-00612	193, 195, 197, 235, 236, 237, 199, 205, 236, 237, 238
93306-00702	REC93306-00702	203
93306-20401	REC93306-204Y7	203
93306-204U0	REC93306-204U0	95, 97, 131
93306-205YD	PAGB/T276-94	78
93306-205YD	PAGB/T5783-2000	81
93306-206U4		115
93306-206U5	REC93306-206U5	119, 132, 133
93306-207U0	REC93306-207U0	207, 211, 237, 238, 239
93306-207U0-00	REC93306-207U0	209
93306-208U0	REC93306-208U0	121, 123, 213, 215, 133, 134, 238, 239, 240
93306-209U0	REC93306-209U0	177, 217, 240, 241, 242, 243
93306-20U7	REC93306-20U5U7	101, 131
93306-210U0	REC93306-210U0	219, 243
93306-272Y2		73
93306-305U3	REC93306-305U3	103, 105, 131, 132
93306-305U8	REC93306-305U8	113, 132
93306-306U1	REC93306-306U2	109
93306-306V1	REC93306-306V1	117, 131, 132
93306-306V5	REC93306-306V5	107, 132
93306-307U0	REC93306-307U0	107, 109, 132, 133
93310-112V0	REC93310-112V0	97, 124, 131
93310-32337	REC93310-32337	123, 126, 127, 133, 134
93310-323V6	REC93310-323V6	121, 133
93310-418V1	REC93310-418V1	95, 97, 131
93310-620V5	REC93310-620V5	101
93310-62406	REC93310-624U5	103, 132
93310-636U4	REC93310-636U4	119, 132, 133
93310-727U0	REC93310-727U0	107, 132
93310-727V7	REC93310-727V7	109, 132
93310-730V8	REC93310-730V8	115, 119, 132, 133
93310-835U8	REC93310-835U8	119, 132, 133
93310-836V2	REC93310-836V2	121, 123, 133, 134
93310-954U1	REC93310-954U1	121, 123, 133, 134
93311-632U1	REC93311-632U1	115, 132
93311-632U7	REC93311-632U7	105, 131, 132
93311-636U6	REC93311-636U6	117, 131, 132
93311-83280	REC93311-83280	219, 242, 243
93311-832U4	REC93311-832U4	115, 132
93311-928U5	REC93311-928U5	217, 240, 241, 242, 243
93311-940U3	REC93311-940U3	123
93311-940U3	REC93311-940U3	121, 123, 133, 134
93315-017U4	REC93315-017U4	193, 235, 236
93315-217U0	REC93315-217U0	203, 237
93315-22004	PANTN HK2016HU	175
93315-22004	REC93315-22004	193, 195, 197, 235, 236, 237
93315-220V7	PAF2020	175</

YAMAHA

REF.	R.O./OEM	PAG
93332-00005	REC93332-00005	173, 189, 191, 195, 234, 235, 236, 237
93332-00079		199
93332-000U0	REC93332-000U0	203
93332-000U3	REC93332-000U3	207, 211, 238, 239
93332-000U3-00	REC93332-000U3	209
93332-000U4		193
93332-000U7	REC93332-000U7	213, 215, 238, 239, 240
93332-000UE	REC93332-000UE	107, 109, 132, 133
93332-000V3	REC93332-000V3	177, 217, 240, 241, 242, 243
93332-000V4		185, 199
93332-000V6		197
93332-000W1	REC93332-000W1	219, 242, 243
93332-000W5	PAHI-CAP 32004JR KOYO	475
93332-000W7	REC93332-000W7	207, 211, 236, 237, 238
93332-000W7-00	REC93332-000W7	209
93332-000WS	REC93332-000WS	195, 236, 237
93341-214U1	REC93341-214U1	189, 234, 235
93341-41414	REC93341-41414	173, 191, 234, 235
93341-93020	REC93341-93020	218
93341-930U0	REC93341-930U0	177, 213
93341-930V2	REC93341-930V2	215, 217
93342-624U0	REC93342-624U0	203
93390-00009		103
93390-000U0	REC93390-000U0	203, 237, 240, 241, 242
93399-99951	REC93399-99951	103, 131
93410-16007		203
93420-35085		179
93430-06005	PAGB/T-896-86	181
93430-08020	REC93430-08020	220
93440-08819	PAF2.6-03000012	169
93440-30040		187
93440-47055		97
93440-49M04	REC93440-49M04	117
93440-52009	REC93440-52009	101
93440-62057		103, 113
93440-68M03	REC93440-68M03	107, 108, 109
93450-09M01	PAF15-07040105	79, 87
93450-13022	REC93450-13022	97, 124, 125
93450-13130	PAF2.6-04020006	75
93450-13130	PAF2.6-04020006	124
93450-14088	PAF4-04020006	77, 124
93450-15023	PAF15-07020005	83, 124
93450-15023	REC93450-15023	101, 125
93450-17129	PAF25-05020106	89, 105, 124
93501-04011	REC93501-04011	219
93503-16003	REC93503-16003	177, 215, 217
93507-32031	REC93507-32031	177, 213, 215, 217
93511-32027	REC93511-32027	177, 215, 217
93602-14104	REC93602-14104	101, 125, 131
93602-14118	REC93602-14118	125, 131
93602-16M10		105
93602-20M02	REC93602-20M02	103, 113, 125, 126, 131, 132, 133, 136
93603-18M09	REC93603-18M09	117, 125, 126, 131, 132
93603-21111	REC93310-32337	127
93603-21111	REC93603-21111	107, 109, 115, 119, 125, 126, 127, 132, 133, 134
93604-07M13	PAF2.6-03000013	169
93604-08062		96, 115, 185, 189, 197, 201, 203, 205
93604-09066	PAF4-03000016	171, 181, 183, 244
93604-09068	PAF-03000016	181, 203
93604-10M03	PAF25-04000007	175, 195, 207
93604-12M07	PAF15-00000013	73, 75, 169, 173, 191
93604-12M07	PAF15-0700000013	81
93604-18080	PAF4-03000013	169, 171, 183, 187
93605-08041		98
93605-14143	PAF25-05050016	89
93605-18M04		181
93605-29098		187
93606-11M24	PAF15-00000006	175

YAMAHA

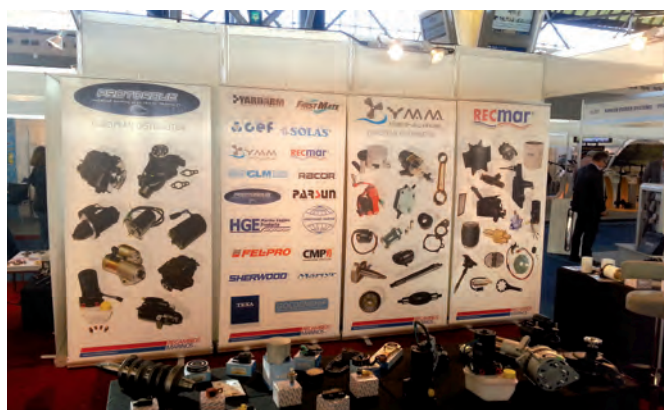
REF.	R.O./OEM	PAG
93606-12019	GLM12808	94, 100
93606-12019	PAF15-00000006	103, 111, 207
93606-12019	REC93606-12019	104
93606-12019	REC93606-12019	93, 104, 178, 179, 189, 213, 215, 217, 218, 220
93608-12063		106, 108, 115, 117, 118
93608-12M05	REC93608-12M05	219
94701-00282	NGKCR6HS	71, 79
94701-00375	NGKDP7EA-9	85, 87
94702-00040	NGKB7HS	71, 108, 115
94702-00041	NGKB8HS	71, 115
94702-00160	NGKB8HS-10	115
94702-00217	NGKB7HS-10	98, 103
94702-00247	NGKBR8HS-10	111, 117, 120
94702-00248	NGKBPR7HS	77
94702-00248	NGKBR6HS	75
94702-00271	NGKB7HS-10	71, 100
94702-00271	NGKBR7HS-10	71, 96, 103, 104, 111
94702-00271	NGKBR8HS-10	71, 122
94702-00272	NGKBR7HS	94
94702-00274	NGKBR6HS-10	71, 96
94702-00309	NGKBR9HS-10	120
94702-00391	NGKLF75A-11	71, 91
947395-06040		189
95313-10600		115
95380-05600		201
95380-06700	REC95380-06700	201
95380-06700		197
95817-06012		73
95817-06012-00		78
95895-06012		181, 183, 187
95895-06016		183
95895-06016-00	PAGB/T5783-2000	171
95895-06020	PAGB/T5783-2000	169
95895-06035		195
97-W0001-02	REC697-W0001-02	114, 145
97013-06016	PAGB/T5783-2000	83
97013-06016		96, 103
97013-06045	PAGB/T5783-2000	73
97013-08035		104
97014-06035		104
97075-10040	REC97075-10040	205, 207
97080-08025	PAGB/T5783-M8X25	173
97080-08025		191
97080-08045	REC97080-08045	173, 177, 191, 213
97090-06014		181
97095-05012		87
97095-05016		181
97095-06010		203
97095-06016	PAGB/T97.1-85	169
97095-06016		95, 96, 98, 101, 104, 105, 115, 185, 199, 205, 207
97095-06018		98
97095-06020	PAGB/T5783-M6X20	75, 87, 93, 106, 113, 117, 173, 187, 191, 106
97095-06020-00		77
97095-06022		103
97095-06025		91, 104, 183, 195
97095-06030	PAGB/T5783-2000	169
97095-06030	REC97095-06030	91, 104, 181, 185
97095-06035	PAGB/T5783-2000	83
97095-06040	GLM22428	195
97095-06040	PAGB/T5783-2000	169, 187
97095-06045	REC97095-06045	183, 185, 199, 203, 205
97095-08014		73
97095-08014-00		77
97095-08020		219
97095-08020-00	PAF4-04000001	78
97095-08020-00		78
97095-08025		215, 218
97095-08055	REC97095-08055	203, 205, 199
97095-08085		199
97395-06010		189
97395-06020		189
97395-08050		211
97395-08050-00		209

YAMAHA

REF.	R.O./OEM	PAG
97395-08070	REC97395-08070	211
97395-08070-00	REC97395-08070	209
97513-06525		85
97575-08540		91, 93
97575-08550-00	PAGB/T5783-2000	81
97575-08550-00		78
97575-10445	REC97575-10445	219
97575-08675		199
97595-06520	PAGB/T97.1-85	85, 87
97780-40112		189
97780-50510		189, 197
97780-60525		203
97880-05025		75
97880-05025-00		77
98503-04066-00		78
98507-04008		91
98780-04015		115, 118
98780-04016		93, 111
98780-05015		100
98780-05016		187
99001-06600	PAGB/T-896-86	169, 171, 183
99001-06600	REC99001-06600	185
99001-08600	REC99001-08600	205, 207, 213, 217, 218
99080-07600		187
99510-10114	PAF15-07000001	81, 85
99510-10114	PAF4-04000003	77, 78
99530-08012	PAF25-00000014	87
99530-10014		98
99590-10114	REC99590-10114	219
99999-02808	REC99999-02808	221
99999-03249-00	PH130-0007	63
99999-03938-00	PH130-0051	63
CEF500302	REC6G1-44352-00	221, 244
CEF500316	REC6H3-44352-00	221, 244, 245
CEF500321	REC682-44352-01	221
CEF500321	REC662-44352-01	221
CEF500322	REC6L5-44352-00	221, 244
CEF500323	REC688-44352-03	221, 245
CEF500324	REC646-44352-01	221
CEF500325	REC6E0-44352-00	221, 244
CEF500326	REC689-44352-02	221
CEF500352	REC6F5-44352-00	221
CEF500363	REC63V-44352-01	221
CEF500364	REC67F-44352-00	221, 244
CEF500368	REC68T-44352-00	221
CEF500371	REC6E5-44352-01	221, 244, 245, 246
CEF500384	REC6L2-44352-00	221, 244
CEF500385G	REC6H4-44352-02	221, 244, 245
CEF500389N		221
CM63D-45251-01	CM63D-45251-01	56
CM664-45371-01-00	CM664-45371-01-00	193
CM6N0-G5251-00	CM6N0-G521-00	185
JA9-12153-00	PA166F-000001	75
JA9-12153-00	PAPS2700.0302	77
K0F-A9904-20		91
MAR-6YT30-02-12	SOL3231-101-13	253
N26-13440-00	REC26-13440-00	53
N51-11325-01	TEN01160T	59
NGK-B8HS-10-PK10	NGKB8HS-10	118
NGK-BR7HS-PK10	NGKBR7HS	106
REC416-B25F	REC416-B25F	167
REC647-11610-00	647-11610-00	99
REC647-11610-10	647-11610-10	99
REC647-11610-20	647-11610-20	99
REC677-11412-00	677-11412-02	99
REC677-11422-00	677-11422-02	99
REC677-11432-00	677-11432-02	99
REC677-11442-00	677-11442-02	99
REC677-11631-00K	677-11631-00-97	99
REC677-11635-00K	677-11635-00	99
REC677-11636-00K	677-11636-00	99
REC6E0-11651-01	6E0-11651-01	99
REC6E5-12411-30	REC6E5-12411-30	120
REC6G1-11633-00	6G1-11633-00	99
REC6G1-11681-00	6G1-11681-00	99
REC90201-12565	90201-12565	99
REC90209-18112	90209-18112	99
REC93306-204U0	93306-204U0	99
REC93310-418U0	93310-418U0	99
REC93450-13022	93450-13022	99
REC93602-14118	93602-14118	99
YMM-2E227-00/01	RACS3227	50



SALÓN NÁUTICO DE BARCELONA 2014



METS 2014

Coordinación: Amadeu Núñez, Carlos Sánchez y Javier Soler
Diseño y maquetación: Leni Fernández
Impresión: Ibérica Gráfica, s.a.
www.ibericagrafica.es

WWW.RECAMBIOSMARINOS.ES

BARCELONA

Pol. Ind. "El Regàs"
C/ dels Oficis, 23
08850 Gavà –Barcelona–
Tel. 902 10 85 85 Fax 93 662 66 59

INTERNATIONAL

phone: 00 34 93 662 66 55
Fax 00 34 93 662 66 59

info@recambiosmarinos.es
www.recambiosmarinos.es

GIRONA

Pol. Ind. Firal
C/ del Far s/n
17600 Figueres –Girona–
Tel. (+034) 972 674 631
Fax (+034) 972 501 100

girona@recambiosmarinos.es

CANARIAS

Avda. Los Majuelos, 14
38108 La Laguna –Tenerife–

Tel. (+34) 972 674 631
Fax (+30) 972 501 100

dlasso@recambiosmarinos.es