

TABLE OF CONTENTS

FUEL & FILTRATION SYSTEM	PAGE
FUEL FITTINGS	318
FUEL FILTERS	318
CARBURETOR	344
ADMISION GASKET	343
FUEL PUMP DIAPHRAGMS	344
FUEL PUMP GASKETS	345
ELECTRIC SYSTEM	PAGE
CUT OFF SWITCHES	321
STARTERS	320
TRIM & POWER TRIM	320
IGNITION SYSTEM	PAGE
COILS	321
CHAMPION SPARK PLUGS	322
NGK SPARK PLUGS	322
COOLING SYSTEM	PAGE
IMPELLERS	345
PLATE WATER PUMP	345-346
DRIVE GASKET	345
THERMOSTAT	345
ENGINE PARTS	PAGE
ENGINE PARTS	323-327
MFS8 / MFS9.8 HP ENGINE PARTS	328-339
PISTONS, RINGS AND BEARINGS	340-341
GASKET ENGINE HOLDER	342
GASKETS CYLINDER HEAD	341
EXHAUST GASKET	343
UNIT DRIVES & COMPONENTS	PAGE
ZINC & ALUMINIUM ANODES	318-320
OIL SEALS	343
PROPELLERS & APLICATION GUIDE	347-349
OIL FILTER	318
WATER PUMP GASKET	345
GEAR COMPONENTS	346
MANITENANCE GUIDE	346

INDICE

SISTEMA DI ALIMENTAZIONE E FILTRAZIONE	PAGINA
ATTACCO BENZINA	318
FILTRI BENZINA	318
CARBURATORE	344
GUANIZIONE ASPIRAZIONE	343
MEMBRANA POMPA BENZINA	344
GUARNIZIONE POMPA BENZINA	345
SISTEMA ELECTRICO	PAGINA
CHIAVETTA DI SICUREZZA	321
MOTORINI AVVIAMENTO	320
MOTORINI TRIM E TRIM POWER	320
SISTEMA DI ACCENSIONE	PAGINA
BOBINE	321
CANDELE CHAMPION	322
CANDELE NGK	322
SISTEMA DI RAFFREDDAMENTO	PAGINA
GIRANTE	345
PIASTRA POMPA ACQUA	345-346
GUARNIZIONI PIEDI	345
TERMOSTATO	345
PARTI DEL MOTORE	PAGINA
PARTI DEL MOTORE	323-327
PARTI MOTORE MFS8 / MFS9.8 HP	328-339
PISTONE, FASCE E CUSCINETTI	340-341
GUARNIZIONI BASE MOTORI	342
GUARNIZIONE TESTATA	341
GUANIZIONE SCARICO	343
PIEDI E COMPONENTI	PAGINA
ANODI ZINCO E ALLUMINIO	318-320
PARAOLIO	343
ELICHE E GUIDA APPLICAZIONE	347-349
FILTRI OLIO	318
GUARNIZIONE POMPA ACQUA	345
COMPONENTE TRASMISSIONE	346
GUIDA DI MANUTENZIONE	346

CONECTOR COMBUSTIBLE FUEL CONNECTOR ATTACCO COMBUSTIBILE

Ref.	R.O. OEM	Rosca Thread Passo	Tiempos Strokes Tempi	Envase (x blister) Pack (x skinpack) Qty (x Blister)
GS31088	3B2-702501M	3/8"	2 (5 - 90HP)	1
GS31016	3B2-702810M	3/8"	2 (5 - 90HP)	1
GS31019	99998-0MA2	1/4" NPT	2 / 4	1
GS31015	394-702500M	3/8"	4	1
GS31017		1/4" NPT	2 (5 - 90HP)	1
GS31018	3B2-702601M	métrica	2 (5 - 90HP)	1



GOLDENSHIP



GS31088



GS31016



GS31019



GS31015



GS31017



GS31018

FILTROS COMBUSTIBLE FUEL FILTERS FILTRI BENZINA

Ref.	R.O.
PAF4-05000300	369-02230-0

MOTORES / ENGINES / MOTORI
2T / Strokes M5-M9.8HP
4T / Strokes MFS4 - MFS30 HP



FILTRO COMBUSTIBLE EN LÍNEA INLINE FUEL FILTER FILTRO COMBUSTIBILE IN LINEA

Ref.	Ø Manguera / Ø Hose / Ø Tubo
REC40145	1/4"
REC40155	5/16"
REC40165	3/8"
REC40135	5/16" Entrada In Entrata 3/8" Salida Out Uscita

De plástico / Plastic / In plastica



FILTROS ACEITE OIL FILTERS FILTRI OLIO

Ref.	R.O.
REC5GH-13440-00	3R3R76150M, 3R0-07615-0

MOTORES / ENGINES / MOTORI
4T / Strokes 9.9 - 30 HP



ÁNODOS ANODES ANODI

Ref.	R.O.		Peso Weight Peso
CM3C760-2181	3C7760-2181	Cinc / Zinc / Zinco	0,51 kg
CM3C760-2181A	3C7760-2181	Aluminio / Aluminium / Alluminio	0,21 kg

MOTORES / ENGINES / MOTORI
60, 70, 90, 120, 140 HP



Ref.	R.O.		Peso Weight Peso
CM3B7-60218-0	3B7-60218-1	Cinc / Zinc / Zinco	0,51 kg

MOTORES / ENGINES / MOTORI
Serie MEGA



Ref.	R.O.		Peso Weight Peso
CM5338602182A0	5338602182A0	Cinc / Zinc / Zinco	0,21 kg
CM5338602182A0A	5338602182A0	Aluminio / Aluminium / Alluminio	0,08 kg



Ref.	R.O.		Peso Weight Peso
CM3H6-60218-000	3H6-60218-0	Cinc / Zinc / Zinco	0,03 kg
CM3H6-60218-000A	3H6-60218-0	Aluminio / Aluminium / Alluminio	0,01 kg



Ref.	R.O.		Peso Weight Peso
CM3V1-60217-0	3V1602170	Cinc / Zinc / Zinco	0,10 kg
CM3V1-60217-0A	3V1602170	Aluminio / Aluminium / Alluminio	0,04 kg



Ref.	R.O.	Peso Weight Peso
CM3M2-60218-1	3M2-60218-0 Cinc / Zinc / Zinco	0,05 kg

MOTORES / ENGINES / MOTORI
40, 140 HP



Ref.	R.O.	Peso Weight Peso
TEN01250	338-60218-2 Ø 20 mm	0,010 kg
TEN01251	369-60218-1 Ø 24 mm	0,020 kg

MOTORES / ENGINES / MOTORI
Serie 2.5, 3.5, 5, 6, 8 HP
15 - 18-S MAXI-25 - 40 CORSA



Ref.	R.O.	Peso Weight Peso
CM33860-2181	338-60218-2 Cinc / Zinc / Zinco	0,10 kg

MOTORES / ENGINES / MOTORI
2.5, 3.5, 5, 6, 8 HP
15, 18, -S MAXI 25, 40 CORSA



Ref.	R.O.	Peso Weight Peso
TEN01253	3C8-60217-1 Cinc / Zinc / Zinco	0,150 kg

MOTORES / ENGINES / MOTORI
Serie MEGA 25 - 50 HP



Ref.	R.O.	Peso Weight Peso
CM348-60217-0M	348-60217-0 Cinc / Zinc / Zinco	0,12 kg

MOTORES / ENGINES / MOTORI
Serie MAXI CORSA
25-40 HP



Ref.	R.O.	Peso Weight Peso
TEN01254	3C7-60218-2 Cinc / Zinc / Zinco	0,510 kg

MOTORES / ENGINES / MOTORI
Serie 60 - 70 - 90 - 120 - 140 - 150 HP



Ref.	R.O.	Peso Weight Peso
CM3C8-60217-0	3C8-60217-1 Cinc / Zinc / Zinco	0,15 kg

MOTORES / ENGINES / MOTORI
Serie MEGA
25-50 HP



Ref.	R.O.	Peso Weight Peso
TEN01255	3B7-60217-0 Cinc / Zinc / Zinco	0,320 kg

MOTORES / ENGINES / MOTORI
Serie 60 - 70 - 90 - 120 - 140 HP



Ref.	R.O.	Peso Weight Peso
CM3B7-602170	3B7-60217-0 Cinc / Zinc / Zinco	0,15 kg

MOTORES / ENGINES / MOTORI
60, 70, 90, 120, 140 HP



Ref.	R.O.	Peso Weight Peso
TEN01256	3B7-60218-1 Cinc / Zinc / Zinco	0,040 kg

MOTORES / ENGINES / MOTORI
Serie MEGA



Ref.	R.O.	Peso Weight Peso
TEN01252	348-60217-0 Cinc / Zinc / Zinco	0,120 kg

MOTORES / ENGINES / MOTORI
Serie MAXI CORSA 25 - 40 HP



Ref.	R.O.	Peso Weight Peso
TEN01257	3M2-60218-0 Cinc / Zinc / Zinco	0,050 kg

MOTORES / ENGINES / MOTORI
Serie 40 - 140 HP



Ref.	R.O.	Peso Weight Peso
TEN01258	5338602182A0 Cinc / Zinc / Zinco	0,020 kg



TECNOSEAL
saveyourdreams

Ref.	R.O.	Peso Weight Peso
TEN01259	3H6-60218-0 Cinc / Zinc / Zinco	0,030 kg



TECNOSEAL
saveyourdreams

Ref.	R.O.	Peso Weight Peso
TEN01260	3B7-60217-0 Cinc / Zinc / Zinco	0,150 kg

MOTORES / ENGINES / MOTORI
Serie 140 HP



TECNOSEAL
saveyourdreams

MOTORES DE ARRANQUE STARTERS MOTORINI AVVIAMENTO

Ref.	R.O.	Tiempos / Strokes / Tempi
PH130-0061	350-76010-0	2 / 4

MOTORES / ENGINES / MOTORI
M15D2 / M18E2 / M8B / M9.8B / M9.9D2
MFS8A2 / MFS9.8A2



Ref.	R.O.	Tiempos / Strokes / Tempi
PH130-0006	3C8-76010-1	2 / 4

MOTORES / ENGINES / MOTORI
M40D2 / MD40B2 / M50D2 / MD50B2 / M70C
MFS9.9B2-C / 15B2-C / 18B2 / 20C / 25A-B / 30B



Ref.	R.O.	Tiempos / Strokes / Tempi
PH130-0048	353-76010-4	

MOTORES / ENGINES / MOTORI
MD70B - 90B - 115A-A2 / 120A2 / 140A2
9 Dientes / Tooth / Denti



Ref.	R.O.	Tiempos / Strokes / Tempi
PH130-0080	346-76010-0, 346-76010-0A0/-OM	2

MOTORES / ENGINES / MOTORI
M25C3 / M30A4 / M40C



MOTORES TRIM TRIM ENGINES MOTORINI TRIM

Ref.	R.O.
PH200-T024	

MOTORES / ENGINES / MOTORI

V4, V6 (1990-03)
Motor trim 3 tornillos - 2 cables
Trim motor 3 bolts - 2 wires
Motorino Trim 3 viti - 2 cavi



INSTALACIÓN ELÉCTRICA WIRING HARNESS ISTALLAZIONE ELETTRICA

Ref.	R.O.
PH200-WH01	

Sustituye de 2 a 3 cables.
Converts 3-wire Tilt and Trim motors to 2-Wire design
Sustituisce da 2 a 3 cavi.



TRIM COMPLETO COMPLETE TRIM ASSEMBLY MOTORINO TRIM COMPLETO

Ref.	R.O.
SIE18-6865	

MOTORES / ENGINES / MOTORI

3 RAM
115-225HP



CDI

Ref.	R.O.
REC3F0-06060-0	3F0-06060-0

MOTORES / ENGINES / MOTORI

M2.5A2
B3.5A2-B2



Ref.	R.O.
REC3G2-06060-2	3G2-06060-2

MOTORES / ENGINES / MOTORI

M9.9D2
B15D2
M18E2



Ref.	R.O.
PAF8-05000400	3AA-06060-00

MOTORES / ENGINES / MOTORI

MFS8
BFS9.8



Ref.	R.O.
REC353-06260-0	353-06260-2, 363-06060-0 353-06260-0

MOTORES / ENGINES / MOTORI

45A2
55B
60A
75A2



Ref.	R.O.
REC3A106-2602M	3A106-2402M, 3A106-2601M 3A106-2602M

MOTORES / ENGINES / MOTORI

25C2
30A3
40C



BOBINAS COILS BOBINE

Ref.	R.O.
PAF8-05000500	3V1-06040-0

MOTORES / ENGINES / MOTORI

MFS8 / MFS9.8 HP

Alta presión
High pressure
Alta pressione



Ref.	R.O.
PAF8-05000300	3AA-06021-0

MOTORES / ENGINES / MOTORI

MFS8 / MFS9.8 HP



Ref.	R.O.
REC3G3-06021-1	3G3-06021-1

MOTORES / ENGINES / MOTORI

M9.9D2 / M15D2 / M18E2
M25C3 / M30A4



Ref.	R.O.
REC369-06021-0	369-06021-0

MOTORES / ENGINES / MOTORI

M4C
M5B-BS



BOBINA DE PULSACIÓN COIL PULSER BOBINE ACCENSIONE

Ref.	R.O.
PAF8-05000200	3V1-06071-0

MOTORES / ENGINES / MOTORI

MFS8 / MFS9.8 HP



BOBINA DE CARGA COIL CHARGER BOBINE DI CARICA

Ref.	R.O.
PAF8-05090000W	3V1-06023-0

MOTORES / ENGINES / MOTORI

MFS8 / MFS9.8 HP



BOBINA DE IGNICIÓN COIL IGNITION BOBINE INIEZIONE

Ref.	R.O.
REC3A0-06040-1	3A0-06040-1

MOTORES / ENGINES / MOTORI

M25C3
M30A4



Ref.	R.O.
REC3G2-06040-2	3G2-06040-2

MOTORES / ENGINES / MOTORI

M9.9D2
M15D2
M18E2



SENSOR PRESIÓN ACEITE OIL PRESSURE SENSOR SENSORE PRESSIONE OLIO

Ref.	R.O.
PAF15-07010100	3H6-07611-0

MOTORES / ENGINES / MOTORI

MFS4 - MFS40 HP



BUJÍAS CHAMPION SPARK CHAMPION CANDELE CHAMPION

Potencia HP Power HP Potenza HP	Ref CHAMPION
2 Tiempos / Stroke / Tempi	
3.5HP M3.5A, M3.5B	CHAL87YCC
5HP M5B, M5BS	CHAL82YC
6HP M6B	CHAL82YC
8HP M8A, M8B 2Cil.	CHAL82YC
9.9HP M9.9B2, M9.9C 2Cil.	CHAL82C
9.8-12HP B18C, B18D	CHAL86C
12HP M12B	CHAL82C
15HP M15A, M15B2, M15C, M15D 2Cil.	CHAL82C
16HP M16	CHAL82C
18HP M18A, M18C2, M18D, M18E 2Cil.	CHAL82C
20HP M20	CHAL82C
20-25HP B40A, B30C	CHAL86C
25HP M25C, M25C2 2Cil.	CHAL82C
30HP M30A, M30A3 2Cil.	CHAL82C
35HP M35A	CHAL82YC
40HP M40C 2Cil., M40D 3Cil.	CHAL82YC
50HP M50C, M50D 3Cil.	CHAL78C
70HP M70A, M70A2, M70B 3Cil.	CHAL78C
90HP M90A 3Cil.	CHAL78C
115HP M115A 4Cil.	CHAL78C
140HP M140A 4Cil.	CHAL78C
4 Tiempos / Stroke / Tempi	
4 HP MFS4, OHV	CHARA8HC
5 HP MFS5A, OHV	CHARA8HC
5 HP MFS5C, OHV	CHARA8HC
9.9 HP MFS9.9A, OHV	CHARA8HC
15 HP MFS15A, OHV	CHARA8HC

CHAMPION



BUJÍAS NGK SPARK NGK CANDELE NGK

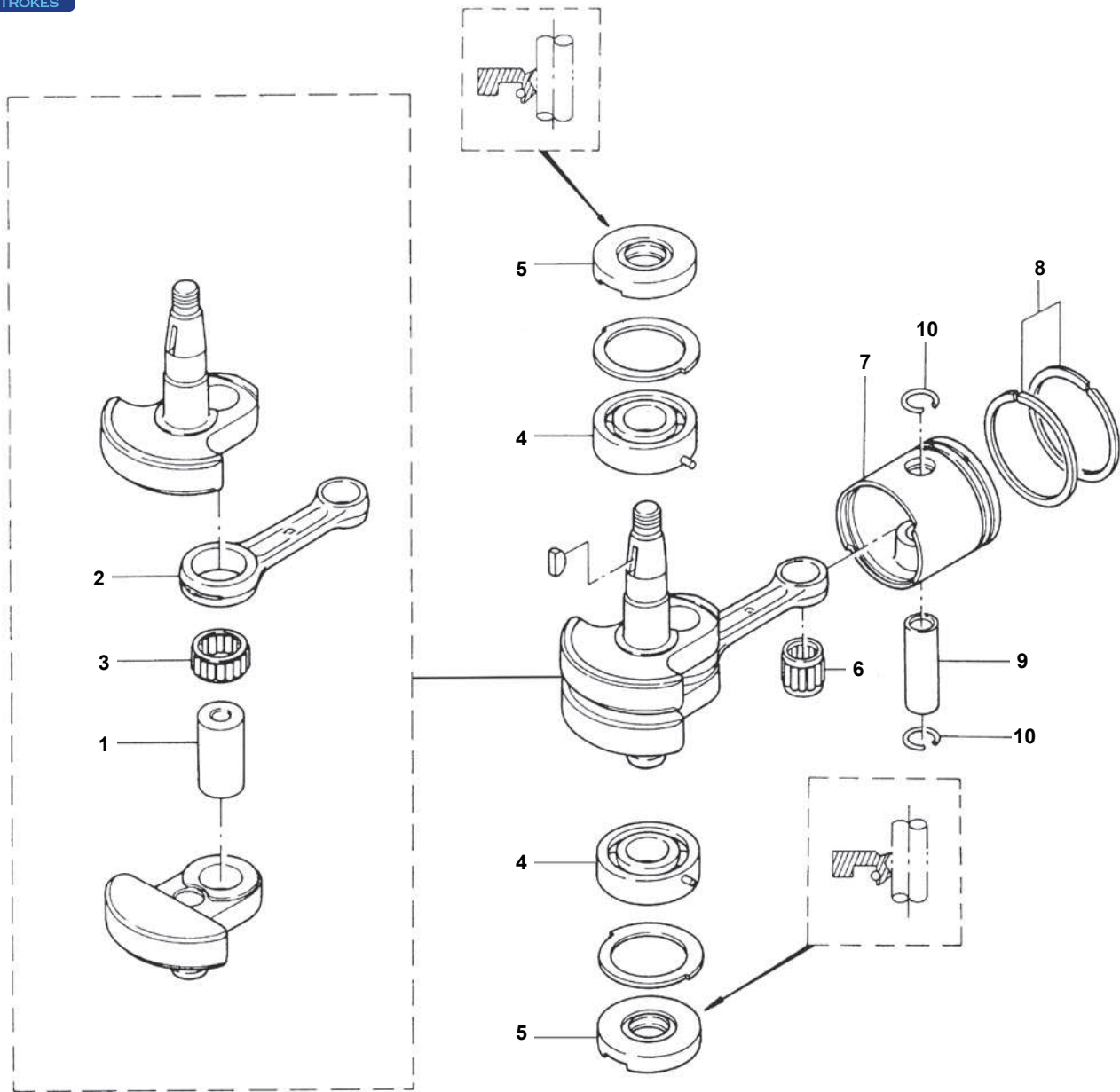


Potencia HP Power HP Potenza HP	Ref NGK
2 Tiempos / Stroke / Tempi	
2.5 HP M2.5A 75cc	NGKBPR6HS
3.5 HP M3.5A/M3.5B 75cc	NGKBPR6HS
4 HP M4C	NGKBPR7HS
5 HP B13B, B9B	NGKBR6HS
5 HP M5B, M5BS	NGKBPR7HS-10
6 HP M6B	NGKBPR7HS
8 HP M8A, M8B 169cc	NGKBPR5HS
8 HP Proof 8 BEF, 169cc	NGKBPR7HS
8 HP B13B, B9B	NGKBPR6HS
9.8 HP B18C, B18D	NGKBPR6HS
9.9 HP M9.9B2/M9.9C	NGKBPR7HS
12 HP M12B	NGKBPR7HS-10
12 HP B18C, B18D	NGKBPR6HS
13 HP M13	NGKBPR7HS-10
15 HP M15A/M15B2/M15C/M15D	NGKBPR7HS-10
16 HP M16	NGKBPR7HS-10
18 HP M18A/M18C2/M18D/M18E 294cc	NGKBPR7HS-10
20 HP M20	NGKBPR7HS-10
20 HP B40A, B30C	NGKBPR7HS-10
25 HP Proof 25C2 430cc	NGKBPR7HS-10
25 HP M25C, M25C2	NGKBPR7HS-10
25 HP B40A, B30C	NGKBPR7HS-10
30 HP M30A/M30A3 400cc	NGKBPR7HS-10
35 HP M35A	NGKBPR7HS
40 HP MD40B TLDI	NGKPZFR6H
40 HP M40D2 697cc	NGKBPR7HS
40 HP Proof 40D Mega 697cc	NGKB8HS-10
40 HP Proof 40D Mega 697cc EFTO	NGKB8HS-10
40 HP M40D Mega EPTO 697cc	NGKBR7HS
40 HP M40C 493cc	NGKBPR6HS-10
40 HP MD40A TLDI	NGKZFR6F-11
50 HP 697cc	NGKB8HS-10
50 HP MD50A TLDI	NGKZFR6F-11
50 HP MD50B TLDI	NGKPZFR6H
50 HP W50	NGKPZFR6H
50 HP M50C/M50D	NGKB8HS-10
55 HP M55A/B	NGKB8HS-10
60 HP 938cc M60A/M60B/M60C	NGKB8HS-10
70 HP MD70A 2 TLDI	NGKZFR6F-11
70 HP MD70B TLDI	NGKIZFR5J
70 HP 938cc M70A/M70A2/M70B	NGKB8HS-10
80 HP M80A	NGKB8HS-10
90 HP 1267cc M90A	NGKB8HS-10
90 HP MD90B TLDI	NGKIZFR5J
90 HP MD90A TLDI	NGKZFR6F-11
90 HP MD90A 2 TLDI	NGKZFR6F-11
115 HP MD115A TLDI	NGKIZFR5J
115 HP M115A/A2	NGKB8HS-10
120 HP 1768cc M120A	NGKB8HS-10
140 HP 1768cc M140A	NGKB8HS-10
4 Tiempos / Stroke / Tempi	
2.5 MFS 2.5A	NGKDCPR6E
3.5 MFS 3.5A	NGKDCPR6E
4 MFS 4A	NGKDCPR6E
5 MFS 5A	NGKDCPR6E
6 MFS 6A	NGKDCPR6E
8 MFS 8A	NGKDCPR6E
9.8 MFS 9.8A	NGKDCPR6E
9.9 MFS 9.9A/B	NGKDCPR6E
15 MFS 15A/B/B2	NGKDCPR6E
18 MFS 18B4/18B	NGKDCPR6E
25 MFS 25A	NGKDCPR6E
30 MFS 30A	NGKDCPR6E

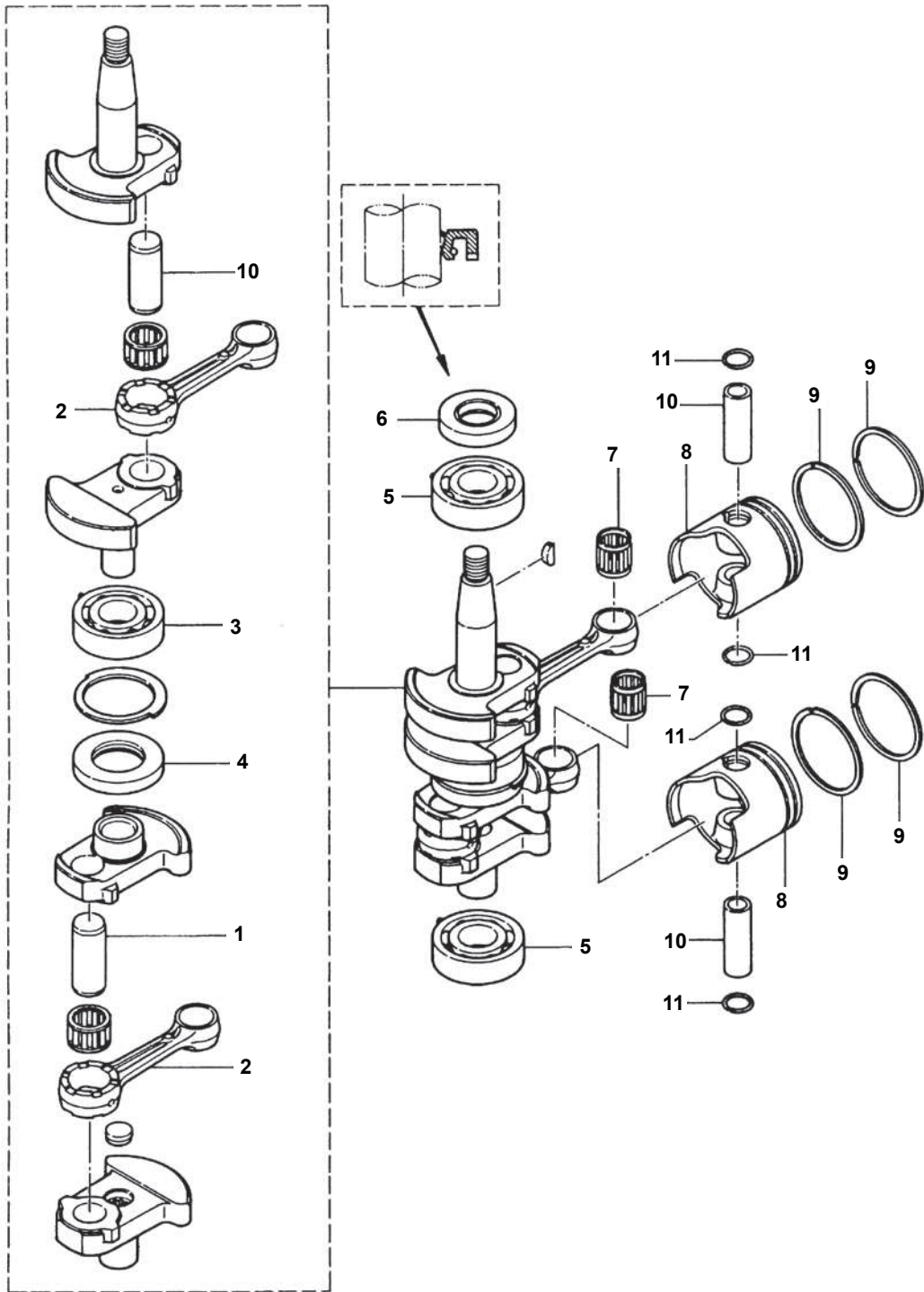
BLOQUE MOTOR ENGINE BLOCK BLOCCO MOTORE



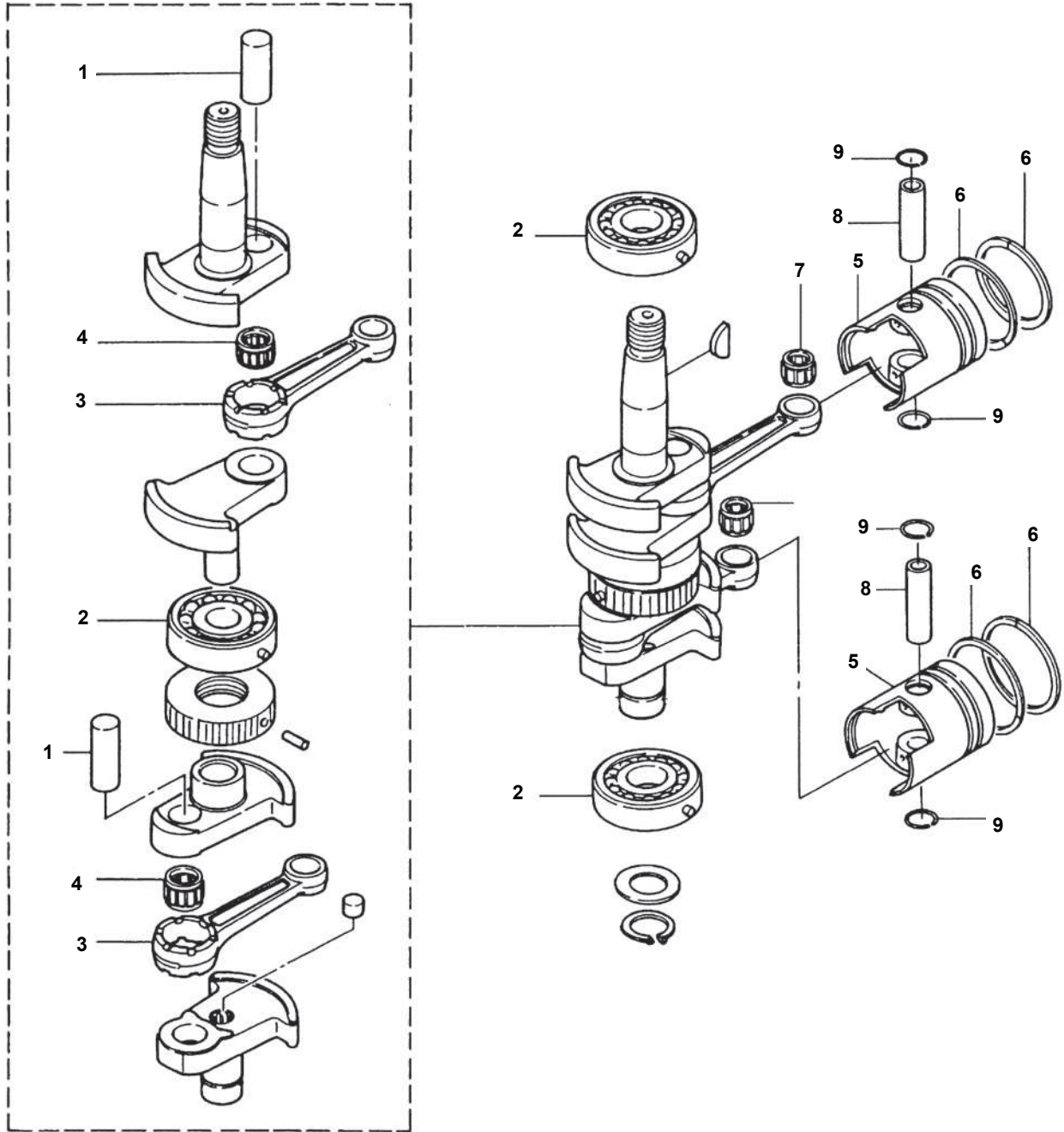
M4C / M5B / M5BS



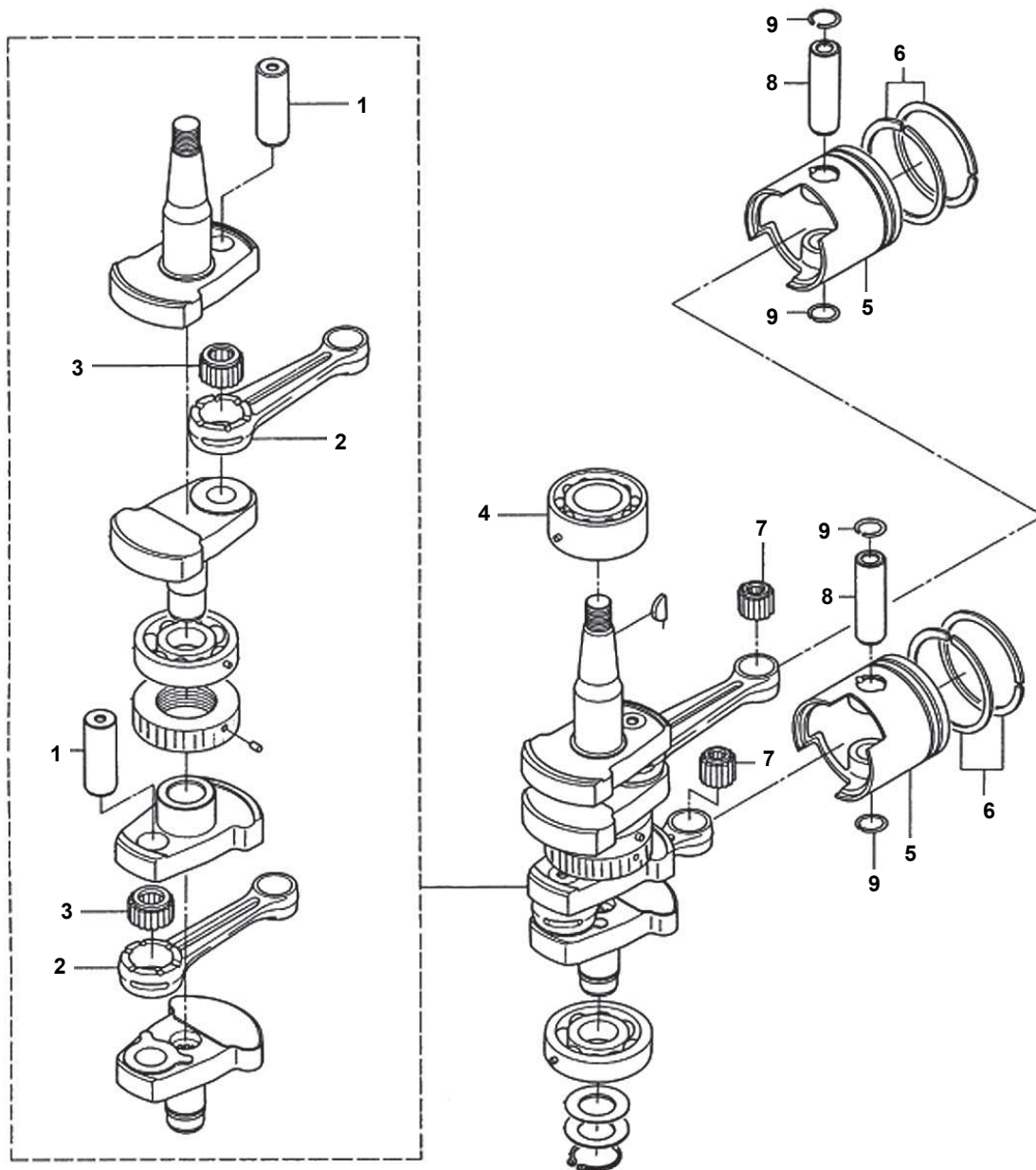
Nº	R.O. OEM	Ref.	Descripción	Description	Descrizione	Cantidad Quantity Quantità
1	369-00061-0	REC813046002	PIN	CRANK PIN	SPINOTTO	1
2	369-0040-0	REC629-813047	BIELA	CONNECTING ROD	BIELLA	1
3	369-00043-0	REC31-813048	COJINETE DE AGUJA	NEEDLE BEARING	CUSCINETTO	1
4	9603-3-6204	REC30-16049	RODAMIENTO	BALL BEARING	CUSCINETTO	2
5	369-00122-0	REC26-16051	RETÉN ACEITE	OIL SEAL	PARALIO	2
6	350-00042-0	REC31-16052	COJINETE DE AGUJA	NEEDLE BEARING	CUSCINETTO	1
7	369-00001-0	REC779-9615T	PISTÓN STD	PISTON STD	PISTONE STD	1
8	351-00011-0	REC8M0080357	AROS	PISTON RING	FASCE	2
9	369-00021-0	REC41-16056	PIN	PISTON PIN	SPINOTTO	1
10	350-00024-1	REC53-16057	CLIP	CLIP	CLIP	2



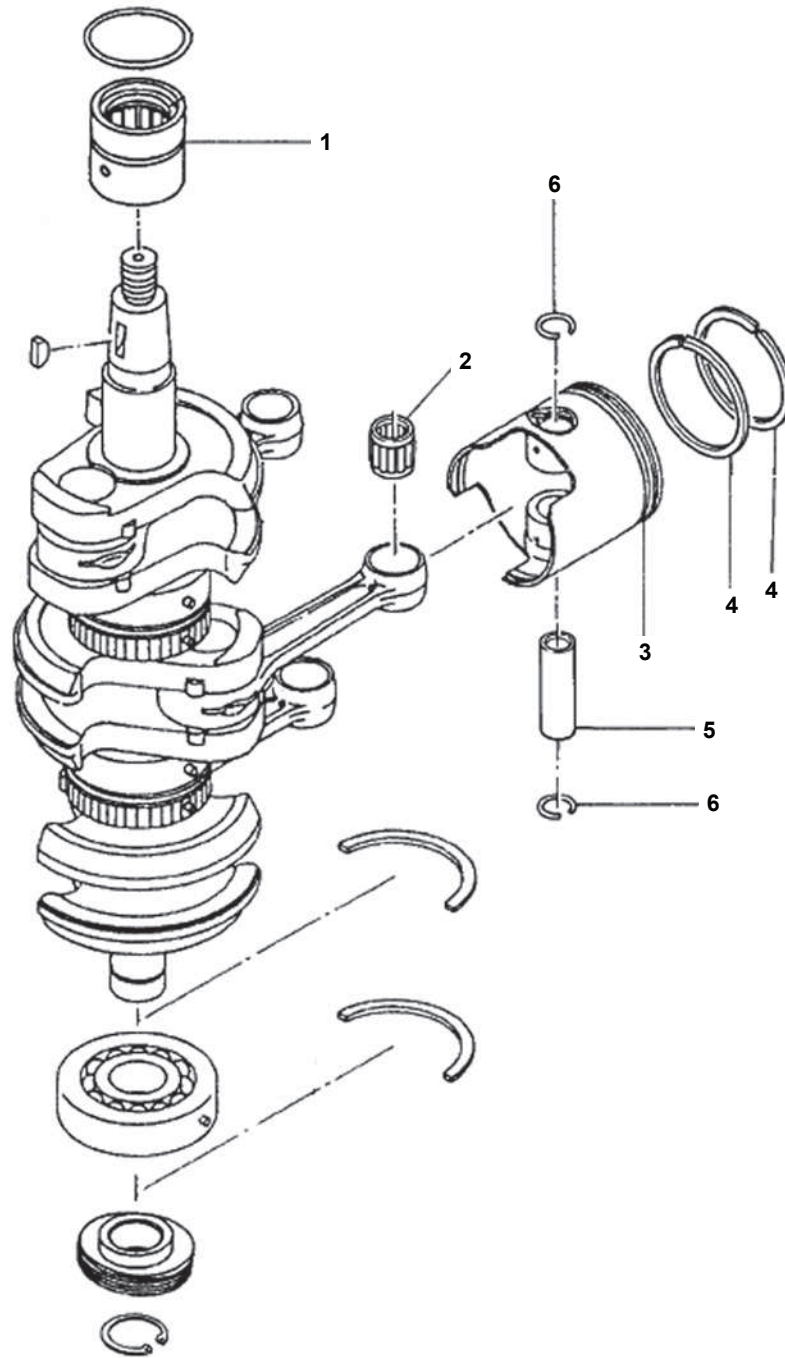
Nº	R.O. OEM	Ref.	Descripción	Description	Descrizione	Cantidad Qty Quantità
1	3B2-0061-0	REC803671	PIN	CRANK PIN	SPINOTTO	2
2	3B2-00040-0	REC629-8036741	BIELA	CONNECTING ROD	BIELLA	2
3	9603-3-6204	REC30-16049	RODAMIENTO	BALL BEARING	CUSCINETTO	1
4	3B2-00051-0	REC26-85370711	RETÉN ACEITE	OIL SEAL	PARALIO	1
5	9603-3-6204	REC30-16049	RODAMIENTO	BALL BEARING	CUSCINETTO	2
6	101-00121-0	REC25-803514	RETÉN ACEITE	OIL SEAL	PARALIO	1
7	338-00042-0	REC31-8036752	COJINETE DE AGUJA	NEEDLE BEARING	CUSCINETTO	2
8	3B2-00001-0	REC779-804886	PISTÓN STD	PISTON STD	PISTONE STD	2
9	3B2-00011-0	REC39-803678A3	AROS	PISTON RING	FASCE	4
10	3B2-00021-0	REC41-8036801	PIN	PISTON PIN	SPINOTTO	2
11	350-00024-1	REC53-16057	CLIP	CLIP	CLIP	2



Nº	R.O. OEM	Ref.	Descripción	Description	Descrizione	Cantidad Quantity Quantità
1	350-00061-0	REC803673	PIN	CRANK PIN	SPINOTTO	2
2	96603-3-6305	REC30-160494	RODAMIENTO	BALL BEARING	CUSCINETTO	3
3	350-00040-0	REC629-803674	BIELA	CONNECTING ROD	BIELLA	2
4	3G4-00043-0	REC31-803675	COJINETE DE AGUJA	NEEDLE BEARING	CUSCINETTO	2
5	350-00001-1	REC779-803677T02	PISTÓN STD, 18 HP	PISTON STD	PISTONE STD	1
	351-00001-1	REC779-803677	PISTÓN STD	PISTON STD	PISTONE STD	1
6	350-00011-0	REC39-803678A1	AROS	PISTON RING	FASCE	2
	351-00011-0	REC8M0080357	AROS	PISTON RING	FASCE	2
7	350-00042-0	REC31-16052	COJINETE DE AGUJA	NEEDLE BEARING	CUSCINETTO	1
8	350-00021-0	REC41-803680002	18HP PIN	PISTON PIN	SPINOTTO	2
	332-00021-0	REC41-825713002	9.9/15 HP PIN	PISTON PIN	SPINOTTO	
9	350-00024-1	REC53-16057	CLIP	CLIP	CLIP	4
	334-00131-0		CHAVETA	KEY, MAGNETO	CHIAVETTA	



Nº	R.O. OEM	Ref.	Descripción	Description	Descrizione	Cantidad Quantity Quantità
1	334-00061-0	REC8130461	PIN	CRANK PIN	SPINOTTO	2
2	336-00040-1	REC629-813047T01	BIELA	CONNECTING ROD	BIELLA	2
3	356-00043-0	REC31-8130482	COJINETE DE AGUJA	NEEDLE BEARING	CUSCINETTO	2
4	345-00113-0	REC30-16049T01	RODAMIENTO	BALL BEARING	CUSCINETTO	1
5	346-00001-1	REC779-879194T01	PISTÓN STD	PISTON STD	PISTONE STD	2
6	346-00011-0	REC39-16054A5	AROS	PISTON RING	FASCE	4
7	345-00042-0	REC345-00042-0	COJINETE DE AGUJA	NEEDLE BEARING	CUSCINETTO	1
8	3C8-00021-0	REC41-803680003	PIN	PISTON PIN	SPINOTTO	2
9	334-00024-1	REC53-16057	CLIP	CLIP	CLIP	4

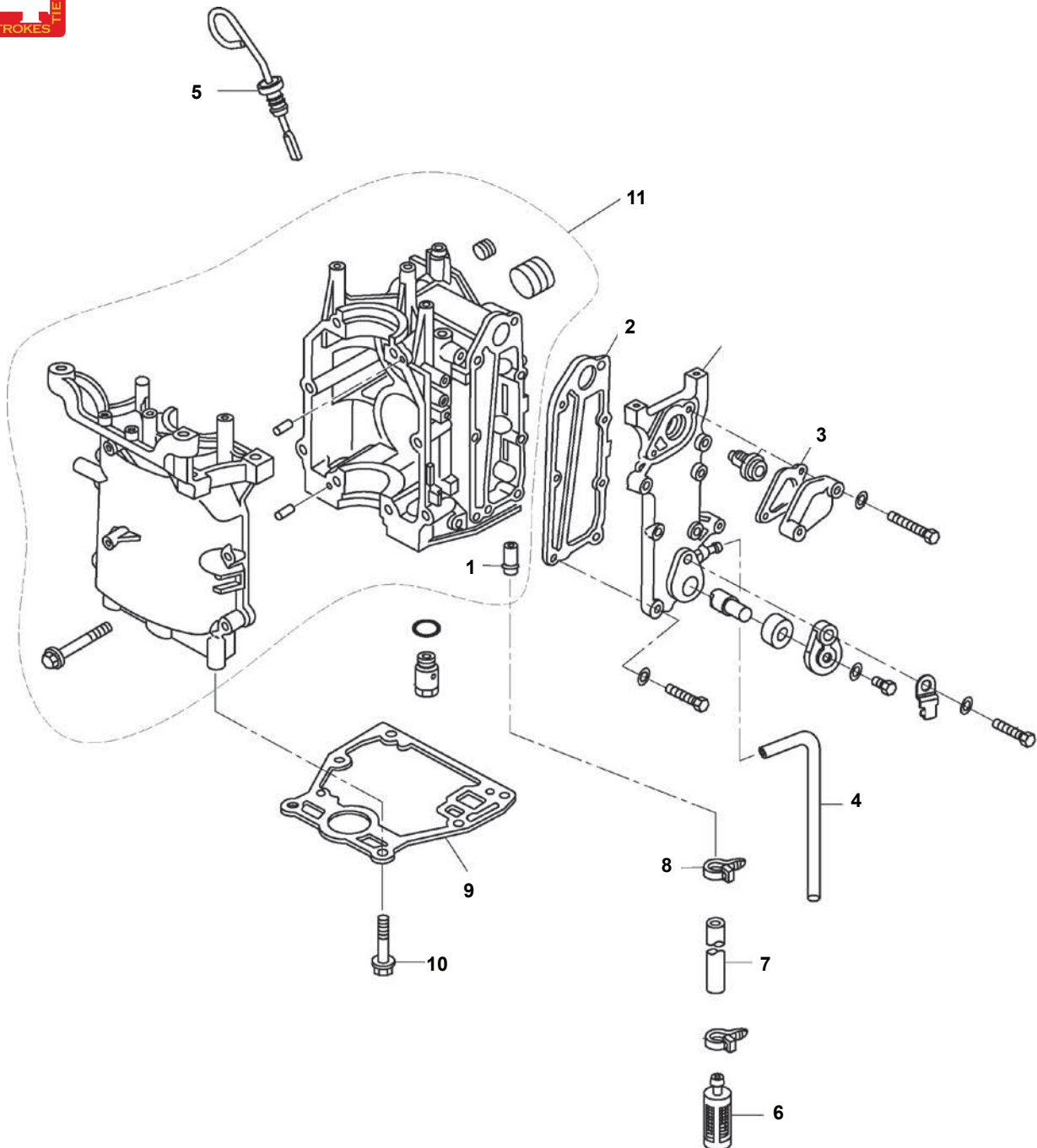


Nº	R.O. OEM	Ref.	Descripción	Description	Descrizione	Cantidad Quantity Quantità
1	3C8-00113-0	REC31-855553	RODAMIENTO SUP.	MAIN BEARING UPPER	CUSCINETTO SUPERIORE	1
2	345-00042-0	REC345-00042-0	COJINETE DE AGUJA	NEEDLE BEARING	CUSCINETTO	1
3	3C8-00001-3	REC779-9615T00	PISTÓN STD	PISTON STD	PISTONE STD	1
4	346-00011-0	REC8M0080349	AROS	PISTON RING	FASCE	2
5	3C8-00021-0	REC41-80368003	PIN	PISTON PIN	SPINOTTO	1
6	334-00024-1	REC53-16057	CLIP	CLIP	CLIP	2

MOTOR MFS8 / MFS9.8 HP ENGINE MFS8 / MFS9.8 HP MOTORE MFS8 / MFS9.8 HP

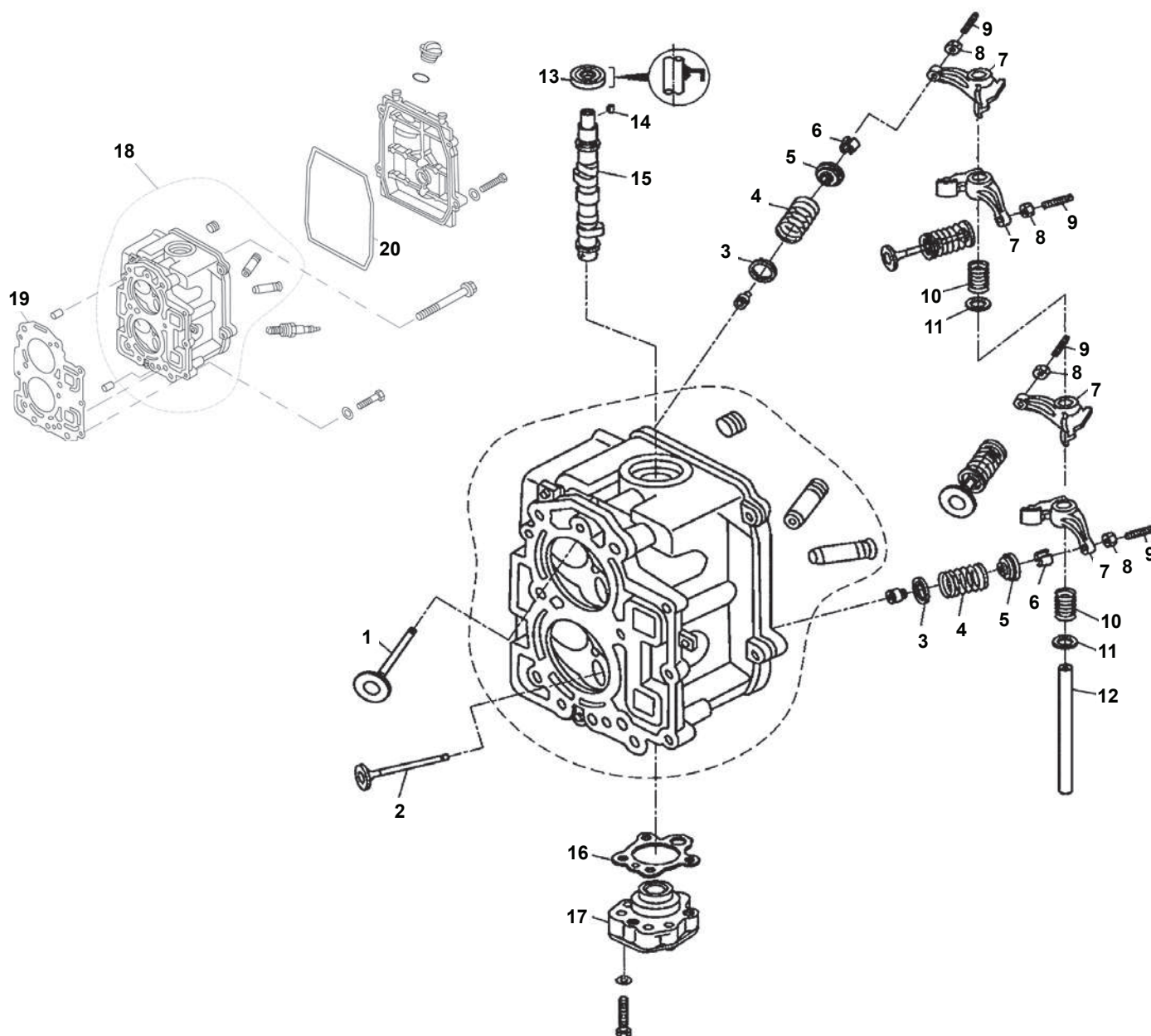
4
TIEMPOS
STROKES

BLOQUE MOTOR / CRANKCASE / BLOCCO



Nº	R.O. OEM	Ref.	Descripción	Description	Descrizione	Cantidad Qty Quantità
1	3H8-02093-0	PAF8-05010002	RACORD	NIPPLE	RACCORDO	1
2	3V1-02305-0	PAF8-05010004	JUNTA ESCAPE	GASKET, EXHAUST COVER	GUARNIZIONE SCARICCO	1
3	346-01032-0	PAF8-05010005	JUNTA TERMOSTATO	GASKET, THERMOSTAT COVER	GUARNIZIONE TERMOSTATO	1
4	98AB-5-0330	PAF8-05000024	TUBO	WATER PIPE	TUBO	1
5	3V1-07421-0	PAF8-00000200	MEDIDOR NIVEL ACEITE	OIL LEVEL GAUGE	MISURATORE LIVELLO OLIO	1
6	3V1-07410-0	PAF8-05000800	FILTRO ACEITE	OIL STRAINER	FILTRO OLIO	1
7	98AH10-0120	PAF8-05000017	MANGUERA	HOSE	TUBO	1
8	369-84398-0	PAF8-05000025	CLIP	HOOP	CLIP	2
9	3V1-01303-0	PAF8-00000004	JUNTA BASE MOTOR	GASKET, ENGINE BASEMENT	GUARNIZIONE BASE MOTORE	1
10	3R3-61017-0	PAF8-00000003	TORNILLO M8x35	BOLT M8x35	VITE M8x35	6
11	3V1B01100-0	PAF8-05010000	BLOQUE COMPLETO	CRANKCASSE ASSY	BLOCCO MOTORE	1

CULATA / CYLINDER HEAD / TESTATA

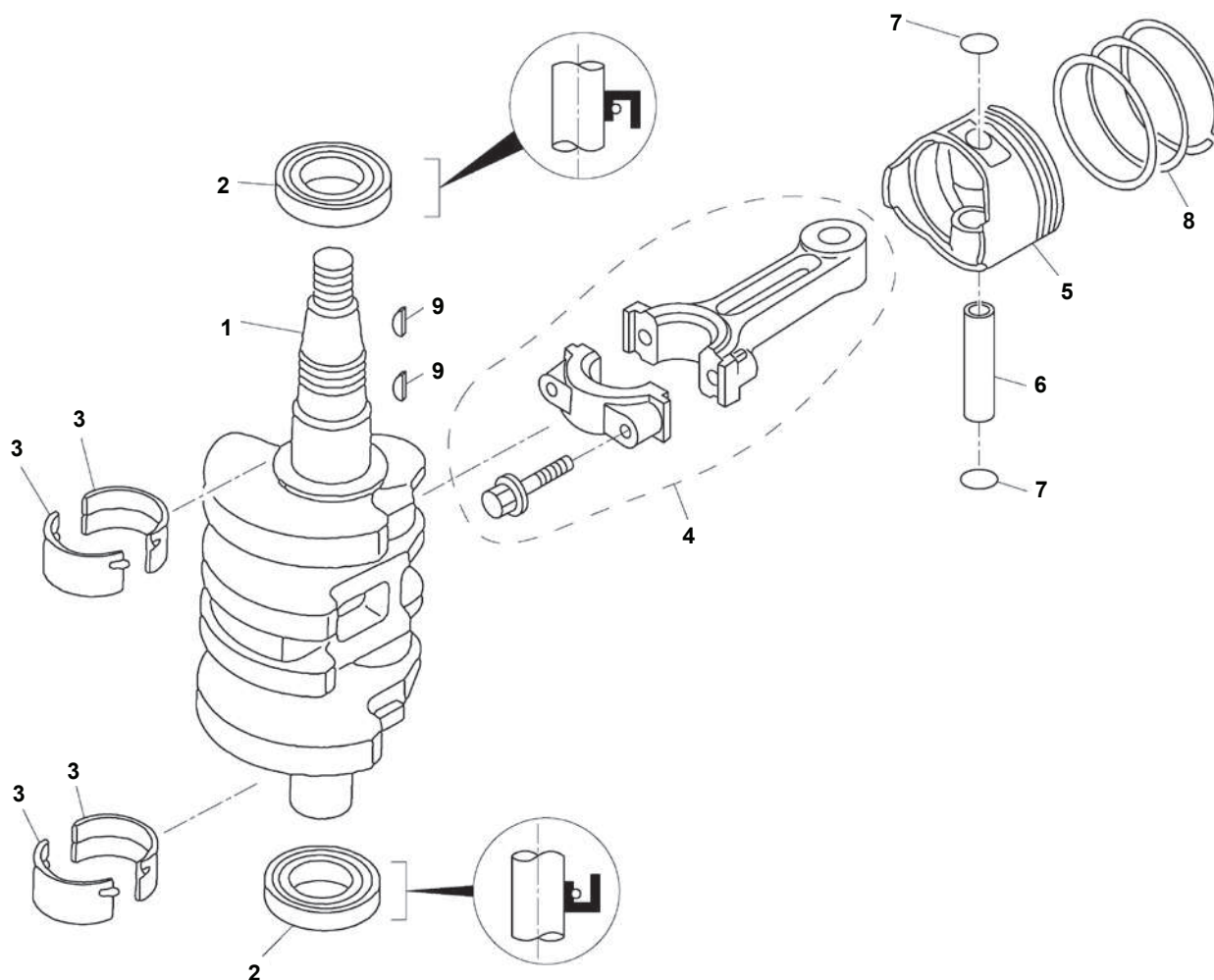


Nº	R.O. OEM	Ref.	Descripción	Description	Descrizione	Cantidad Qty Quantità
1	3V1-07201-0	PAF8-05030001	VÁLVULA ADMISIÓN	VALVE INTAKE	VALVOLA ASPIRAZIONE	2
2	3V1-07202-0	PAF8-05030002	VÁLVULA ESCAPE	VALVE EXHAUST	VALVOLA SCARICO	2
3	3V1-07205-0	PAF8-05030004	ASIENTO MUELLE	SEAL, VALVE SPRING	SIGILLO MOLLA	4
4	3AA-07203-0	PAF8-05030005	MUELLE VÁLVULA	SPRING VALVE	VALVOLA MOLLA	4
5	3V1-07221-0	PAF8-05030006	RETENCIÓN	RETAINER, VALVE SPRINGER	TENUTA	4
6	3H6-07223-0	PAF8-05030007	SEGURO	COTTER, VALVE	CHIUSURA SICUREZZA	8
7	3V1-07235-0	PAF8-05030201	BALANCÍN	ROCKER	BILANCERE	4
8	3H8-07237-0	PAF15-07040304	TUERCA	LOCK NUT	GHIERA	4
9	3R0-07238-0	PAF15-07040303	TORNILLO AJUSTE	SCREW, VALVE ADJUSTING	VITE	4
10	3AA-07225-0	PAF8-05030009	MUELLE	SPRING ROCKER	MOLLA	2
11	3R3-07227-0	PAF8-05030015	ARANDELA	BUSHER, ROCKER SPRING	RONDELLA	2
12	3H8-07226-0	PAF8-005030010	EJE	SHAFT ROCKER	ASSE	1
13	3H8-07025-0	PAF8-05030011	RETÉN ACEITE	OIL SEAL 18x35x7.8 mm	PARAOILIO	1
14	309-00131-0	PAT3.6-04000006	CHAVETA	KEY	CHIAVETTA	1
15	3V1-07010-0	PAF8-05030008	ÁRBOL DE LEVAS	CRAMSHAFT	ALBERO MOTORE	1
16	3V1-07653-0	PAF8-05030012	JUNTA BOMBA ACEITE	OIL PUMP GASKET	GUARNIZIONE POMPA OLIO	1
17	3V1-07600-0	PAF8-05030300	BOMBA ACEITE	OIL PUMP	POMPA OLIO	1
18	3V1B01001-0	PAF8-05030100	CULATA	CYLINDER HEAD ASSY	TESTATA	1
19	3V1-02305-0	PAF8-05000100	JUNTA CULATA	CYLINDER HEAD GASKET	GUARNIZIONE TESTATA	1
20	3V1-01024-0	PAF8-05000002	JUNTA TAPA CULATA	CYLINDER HEAD COVER GASKET	GUARNIZIONE COPERCHIO TESTATA	1

TOHATSU

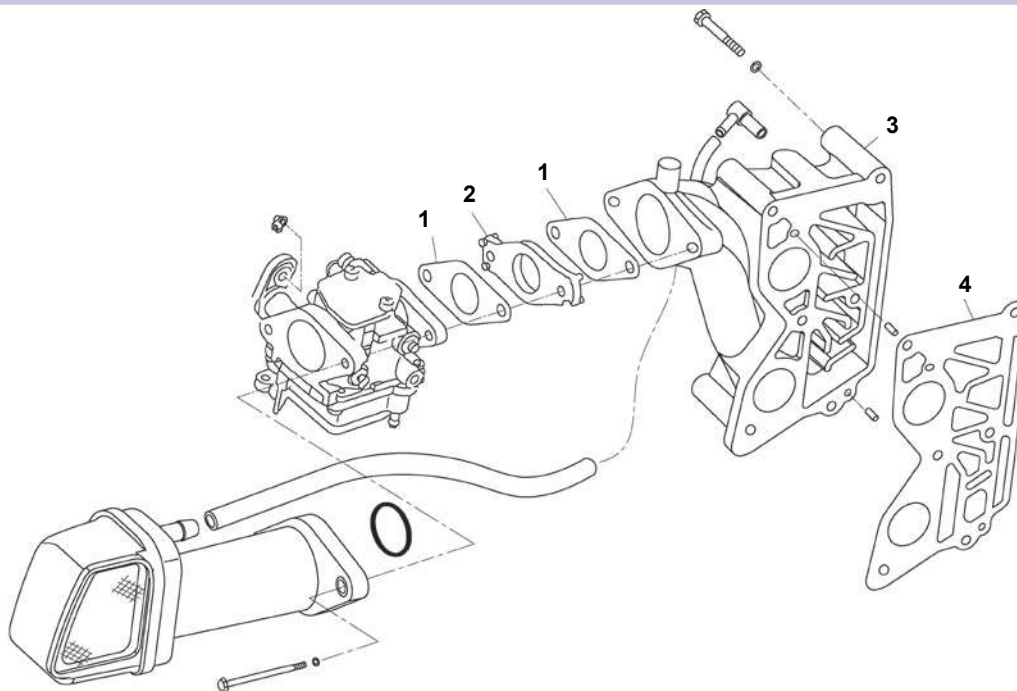
**RECAMBIOS
MARINOS S.L.**

CIGÜEÑAL Y PISTONES CRANKSHAFT & PISTON ALBERO MOTORE E PISTONI



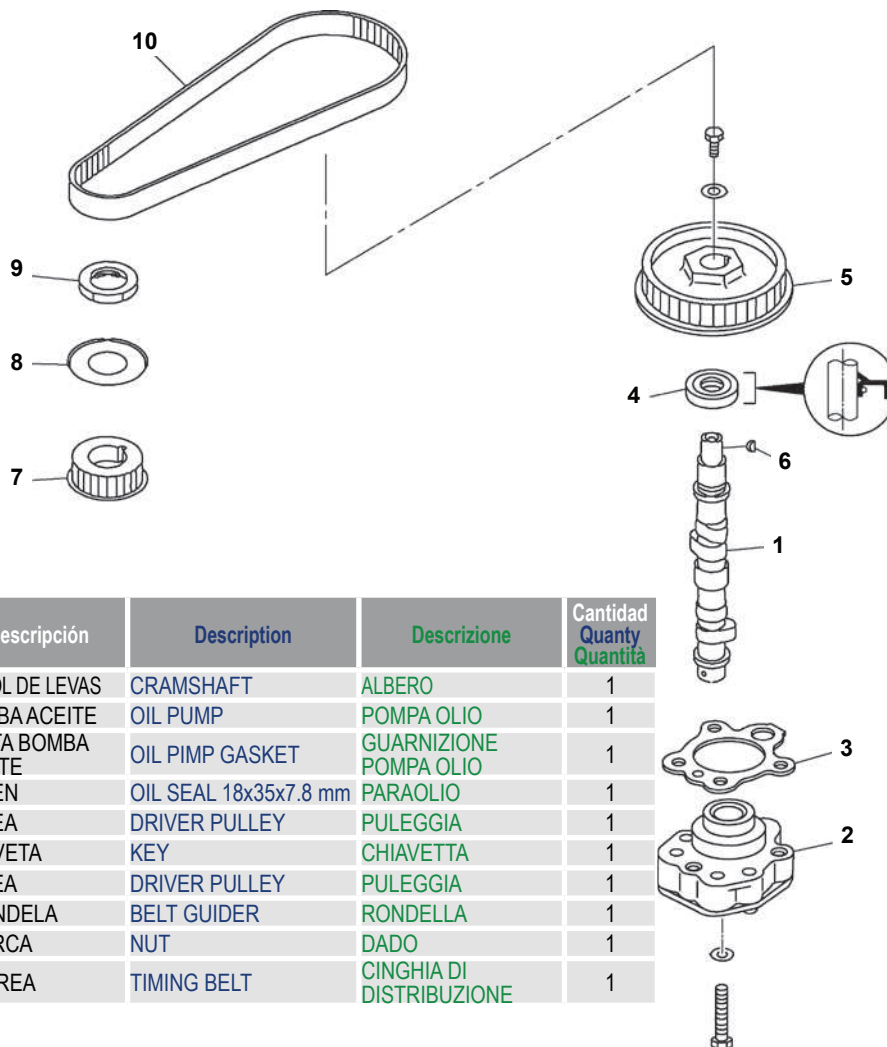
Nº	R.O. OEM	Ref.	Descripción	Description	Descrizione	Cantidad Qty Quantità
1	3V1-00030-1	PAF8-05020001	CIGÜEÑAL	CRANK	ALBERO MOTORE	1
2	3V1-00121-0	PAF8-05010012	RETÉN ACEITE	OIL SEAL	PARAOLIO	2
3	3V1-07407-0	PAF8-05010009	COJINETE	BUSH	BRONZINA	4
4	3V1-00040-0	PAF8-05020200	BIELA	CONNENCTING ROD	BIELLA	2
5	3V1-00001-0	PAF8-05020101	PISTON	PISTON	PISTONE	2
6	332-00021-0	PAF8-05020105	PIN	PIN, PISTON	SPINNOTO	2
7	350-00024-1	PAF15-07020005	CLIP	CIRCLIP	CLIP	4
8	3V1-00011-0	PAF8-05020102	ARO	RING	ANELLO	1
9	3T5-10131-0	PAF4-04000019	CHAVETA	KEY	CHIAVETTA	2

ADMISIÓN / INTAKE / ASPIRAZIONE



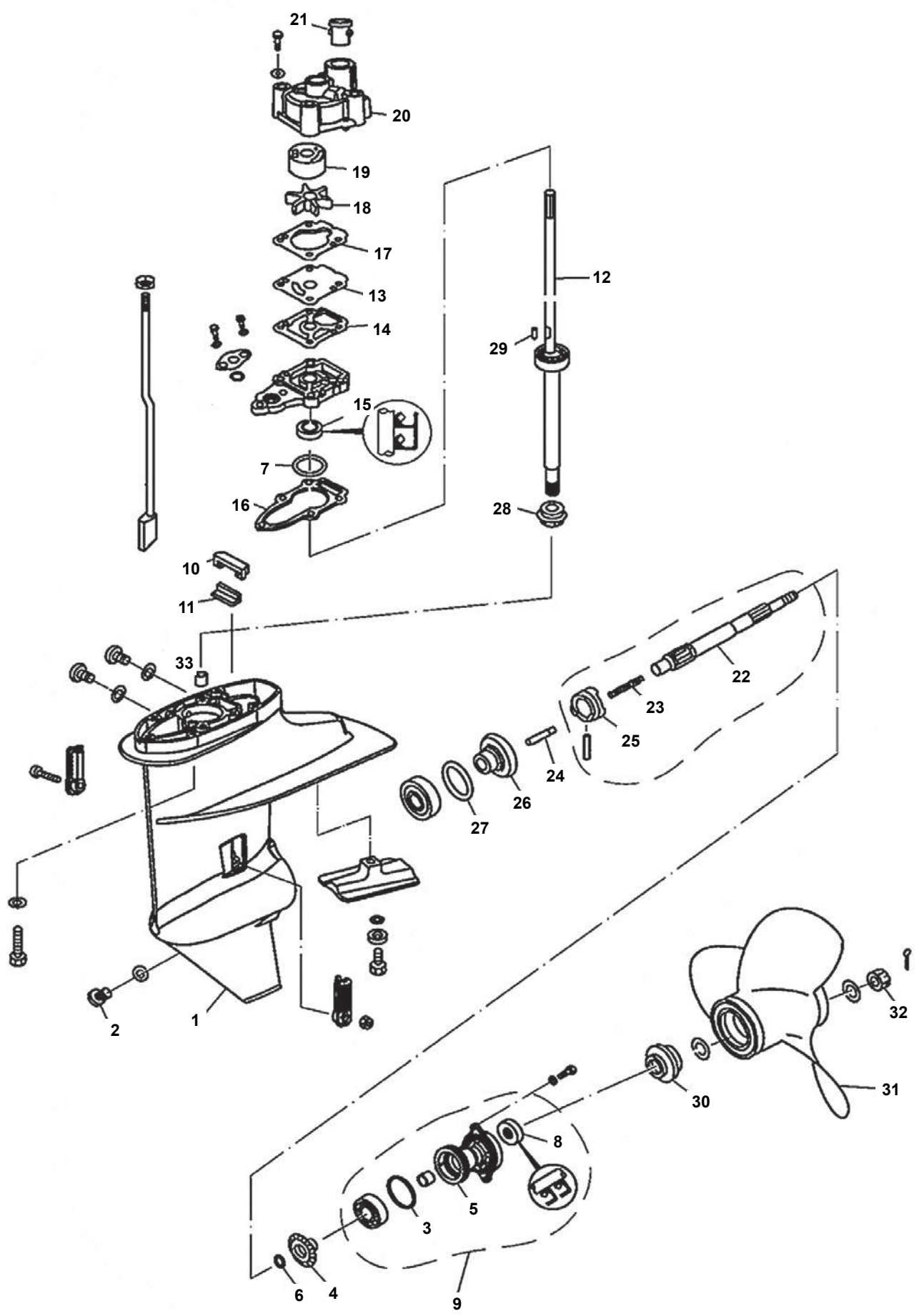
Nº	R.O. OEM	Ref.	Descripción	Description	Descrizione	Cantidad Qty Quantità
1	3V1-02011-0	PAF15-07000017	JUNTA CARBURADOR	GASKET CARBURETOR	GUARNIZIONE CARBURATORE	2
2	3V1-03952-0	PAF15-07000018	SEPARADOR	INSULATOR	ISOLANTE	1
3	3V1-02010-1	PAF8-05000008	COLECTOR ADMISIÓN	INTAKE MANIFOLD	COLLETTORE ASPIRAZIONE	1
4	3V1-02104-0	PAF8-05000009	JUNTA COLECTOR	GASKET MANIFOLD	GUARNIZIONE COLLETTORE	1

DISTRIBUCIÓN / CRAMSHAFT / DISTRIBUZIONE



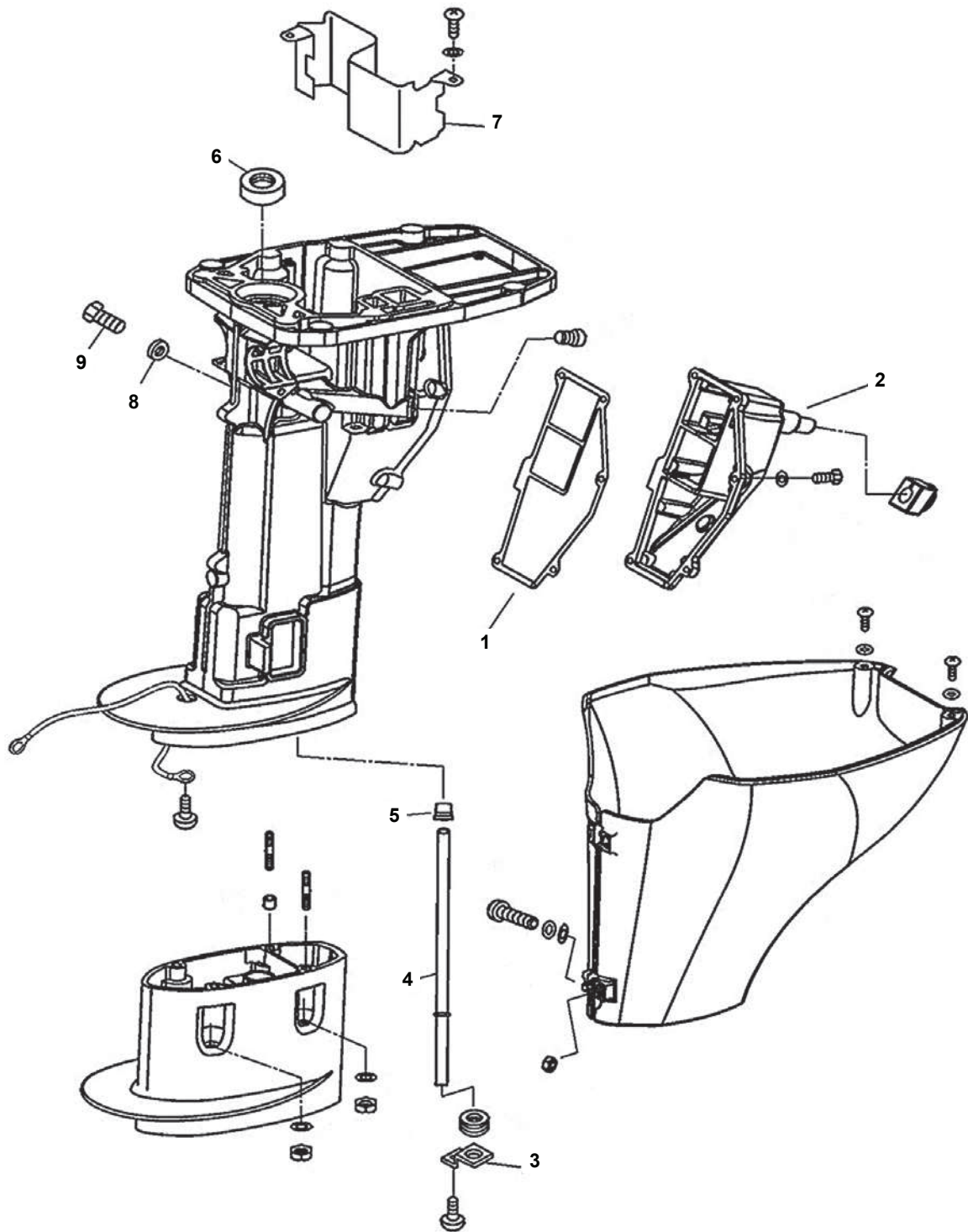
Nº	R.O. OEM	Ref.	Descripción	Description	Descrizione	Cantidad Qty Quantità
1	3V1-07010-0	PAF8-05030008	ÁRBOL DE LEVAS	CRAMSHAFT	ALBERO	1
2	3V1-07600-0	PAF8-05030300	BOMBA ACEITE	OIL PUMP	POMPA OLIO	1
3	3V1-07653-0	PAF8-05030012	JUNTA BOMBA ACEITE	OIL PIMP GASKET	GUARNIZIONE POMPA OLIO	1
4	3H8-07025-0	PAF8-05030011	RETÉN	OIL SEAL 18x35x7.8 mm	PARAOLIO	1
5	3H8-10062-2	PAF8-05030400	POLEA	DRIVER PULLEY	PULEGGIA	1
6	309-00131-0	PAT3.6-04000006	CHAVETA	KEY	CHIAVETTA	1
7	3V1-10060-0	PAF8-05010014	POLEA	DRIVER PULLEY	PULEGGIA	1
8	3V1-10063-0	PAF8-05010015	ARANDELA	BELT GUIDER	RONDELLA	1
9	3V1-10068-0	PAF8-05010016	TUERCA	NUT	DADO	1
10	3V1-10045-0	PAF8-05000004	CORREA	TIMING BELT	CINGHIA DI DISTRIBUZIONE	1

COLA INFERIOR / LOWER CASING & DRIVE / PARTE PIEDE INFERIORE



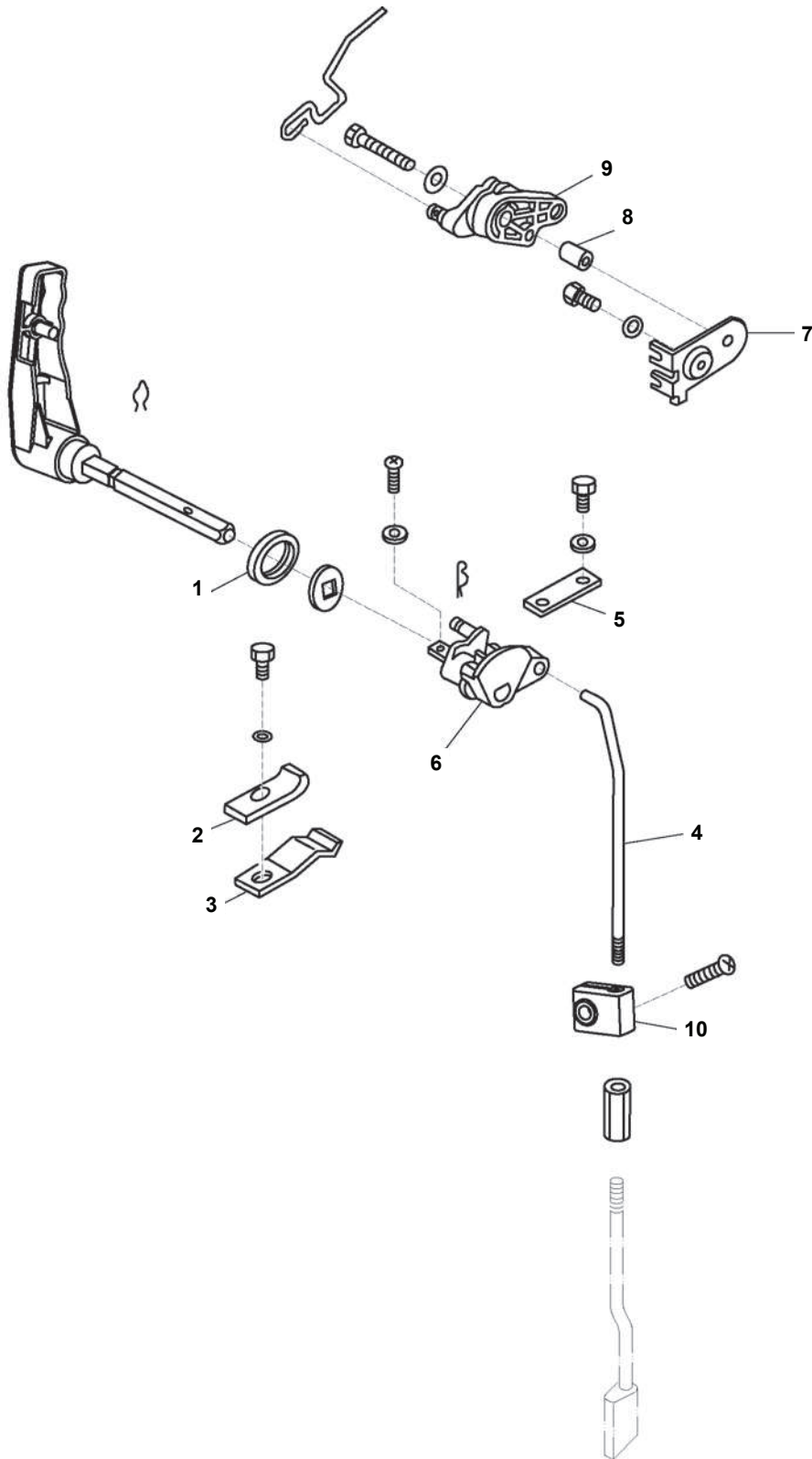
Nº	R.O. OEM	Ref.	Descripción	Description	Descrizione	Cantidad Quanty Quantità
1	332-60006-0	PAF8-03000024	JUNTA	GASKET	GUARNIZIONE	3
2	332-60005-2	PAF4-03000023	CONECTOR	PLUG, OIL HOSE	CONNETTORE	3
3	345-65015-0	PAF8-04040002	TÓRICA	O-RING	ANELLO	1
4	3B2-64030-0	PAF8-04000014	PIÑÓN ATRÁS	GEAR REVERSE	PIGNONE MARCIA INDIETRO	1
5	3B2S60101-0	PAF8-04040001	DIÁBOLO	COVER, LOWE CASING	DIABOLO	1
6	369-64032-0	PAF8-04000012	ARANDELA	WASHER	RONDELLA	1
7	3B2-64023-0	PAF8-04000004-1	GRUESO	SHIM 0.10mm	SPESSORE	
8	369-60111-0	PAF8-04040004	RETÉN	OIL SEAL	PARAOLIO	1
9	3B2S60100-0	PAF8-04040000	DIÁBOLO	COVER ASSY	DIABOLO	1
10	3V1-60041-0	PAF8-04000016	JUNTA	GASKET, WATER SEAL	GUARNIZIONE	1
11	3V1-60042-0	PAF8-04000015	RETÉN	WATER SEAL	TENUTA	1
12	3V1-64307-1	PAF8-04020001(L)	EJE (L)	DRIVE SHAFT ASSY (L)	ASSE (L)	1
	3V1-64306-1	PAF8-04020001(S)	EJE (S)	DRIVE SHAFT ASSY (S)	ASSE (S)	1
13	3B2-65025-0	PAF8-04000007	PLACA	OUTER PLATE	PIASTRA	1
14	3B2-65029-0	PAF8-04000006	JUNTA	GASKET, OUTER PLATE	GUARNIZIONE	1
15	309-60111-0	PAF8-04000101	RETÉN	OIL SEAL	PARAOLIO	1
16	3B2-65020-0	PAF8-04000005	JUNTA	GASKET, WATER PUMP SEAT	GUARNIZIONE	1
17	3B2-65018-0	PAF8-04000008	JUNTA	GASKET, OUTER PLATE	GUARNIZIONE	1
18	3B2-65021-1	PAF8-04000200	IMPULSOR	IMPELLER	GIRANTE	1
19	3B2-65011-0	PAF8-04000010	CASQUILLO	INNER SHELL, WATER PUMP	BOCCOLA	1
20	3B2-65016-0	PAF8-04000009	BOMBA DE AGUA	WATER PUMP	POMPA D'ACQUA	1
21	3B2-65016-0	PAF8-04000013	RETÉN	SEAL	TENUTA	1
22	3V1-64211-0	PAF8-04000301	EJE HÉLICE	SHAFT, PROPELLER	ASSE ELICHE	1
23	3V1-64221-0	PAF8-04000302	MUELLE	SPRING, CLUTCH	MOLLA	1
24	369-64223-0	PAF8-04000305	PIN	PIN CLUTCH	SPINOTTO	1
25	3B2-64215-0	PAF8-04000303	SELECTOR	CLUTCH, DOG	SELETT ORE	1
26	3B2-64010-0	PAF8-04010000	PIÑÓN ADELANTE	GEARM FORWARD	PIGNONE AVANTI	1
27	369-64014-0	PAF8-04000012-1	GRUESO	SHIM 0.10mm	SPESSORE	1
	369-64015-0	PAF8-04000012-2	GRUESO	SHIM 0.15mm	SPESSORE	1
28	3B2-64020-0	PAF8-04000003	PIÑÓN	PINION	PIGNONE	1
29	3B2-65022-0	PAF8-04000021	PIN	PIN, DOWER	SPINOTTO	1
30	3B2-64230-1	PAF8-04000019	GRUESO	CUSHION, PROPELLER	SPESSORE	1
31	3B2W64517-0	PAF8-04050000	HÉLICE	PROPELLER ASSY	ELICHE	1
32	369-64121-0	PAF15-06000016	TUERCA	NUT, HEXAGON	DADO	1
33	3V1-60211-0	PANSKFJ-1516	RODAMIENTO	BEARING	CUSCINETTO	1

COLA SUPERIOR / UPPER CASING & DRIVE / PARTE PIEDE SUPERIORE



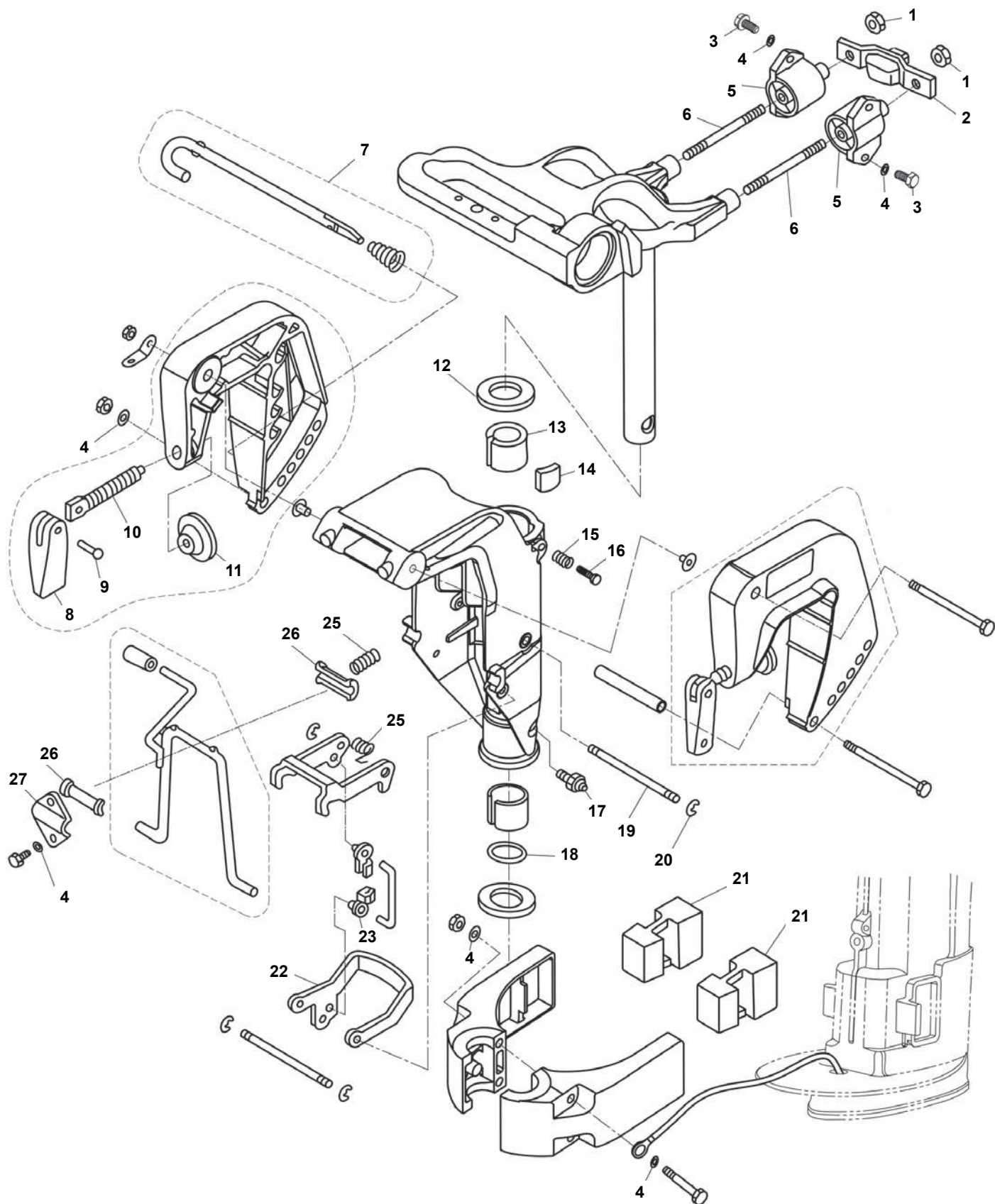
Nº	R.O. OEM	Ref.	Descripción	Description	Descrizione	Cantidad Quantity Quantità
1	3V1-61220-0	PAF8-02000004	JUNTA	GASKET, EXHAUST OUTER COVER	GUARNIZIONE	1
2	3V1-61208-0	PAF8-02000005	TAPA ESCAPE	EXHAUST OUTER COVER	COPERCHIO SCARICO	1
3	3V1-65203-0	PAF8-02000009	PIPA	ALATE, WATER PIPE	TUBO	1
4	3V1-65110-0	PAF8-02000006(L)	TUBO (L)	WATER PIPE (L)	TUBO (L)	1
	3V1-65100-0	PAF8-02000006(S)	TUBO (S)	WATER PIPE (S)	TUBO (S)	1
5	3V1-65206-0	PAF8-02000007	RETÉN	UPPER SEAL, WATER PIPE	TENUTA	1
6	3B2-01215-0	PAF8-02000002	RETÉN	OIL SEAL	PARAOILIO	1
7	3V1-07440-0	PAF8-02000003	SEPARADOR	CLAPBOARD, OIL SUMP	ASSICELLA, COPPA OLIO	1
8	3R3-07406-0	PAF8-02000003	JUNTA	GASKET	GUARNIZIONE	1
9	3R3-07405-1	PAF15-04000002	TAPÓN	BOLT, OIL DRAIN	TAPPO	1

CAMBIO / CONTROL SYSTEM / CALANDRA



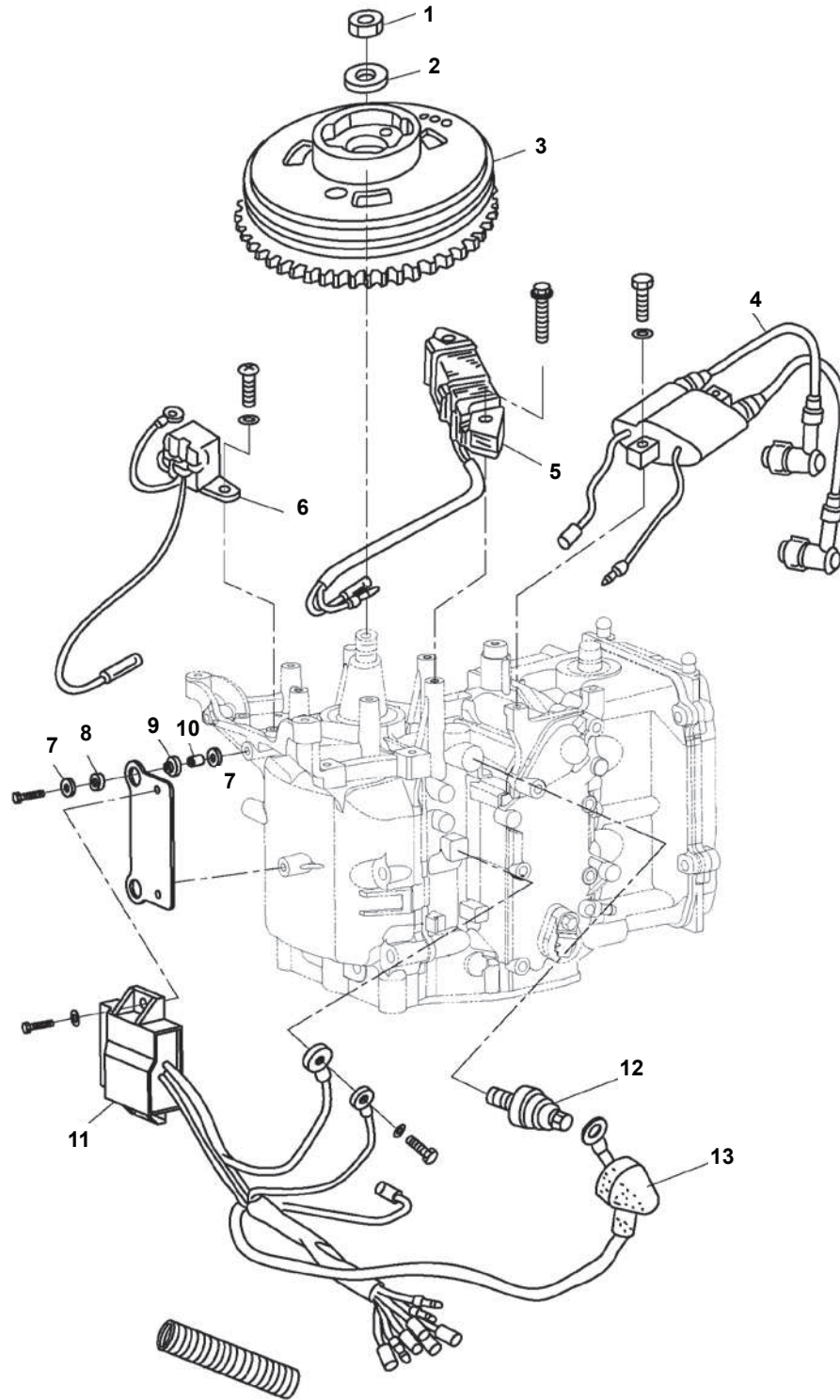
Nº	R.O. OEM	Ref.	Descripción	Description	Descrizione	Cantidad Quantity Quantità
1	3V1-66187-0	PAF8-03010001	ARANDELA	WASHER, HANDLE	RONDELLA	1
2	3C8-66116-0	PAF8-03010006	PLACA	PLATE, SHIFTLVER STOPPER	PIASTRA	1
3	3B2-66113-0	PAF8-03010005	TOPE	STOPPER, SHIF LEVER	TAPPO	1
4	3V1-66211-0	PAF8-03000010	EJE	SHIFT ROD	ASSE	1
5	3B1-66145-0	PAF8-03010007	PLACA	PLATE	PIASTRA	1
6	3V1-66225-0	PAF8-03010003	SEGURO	BLOCK	BLOCCAGGIO	1
7	3V1-63508-0	PAF8-05000020	PLACA	PALTE	PIASTRA	1
8	346-67114-0	PAF8-05000018	CASQUILLO	BUSH	BOCCOLA	1
9	3V1-63622-0	PAF8-05000019	POLEA	MAIN PULLEY	PULEGGIA	1
10	3V1-66302-0	PAF8-03000011	SEGURO	LOCK BLOCK	BLOCCAGGIO	1

SOPORTE MOTOR / BRACKET / SUPPORTO MOTORE



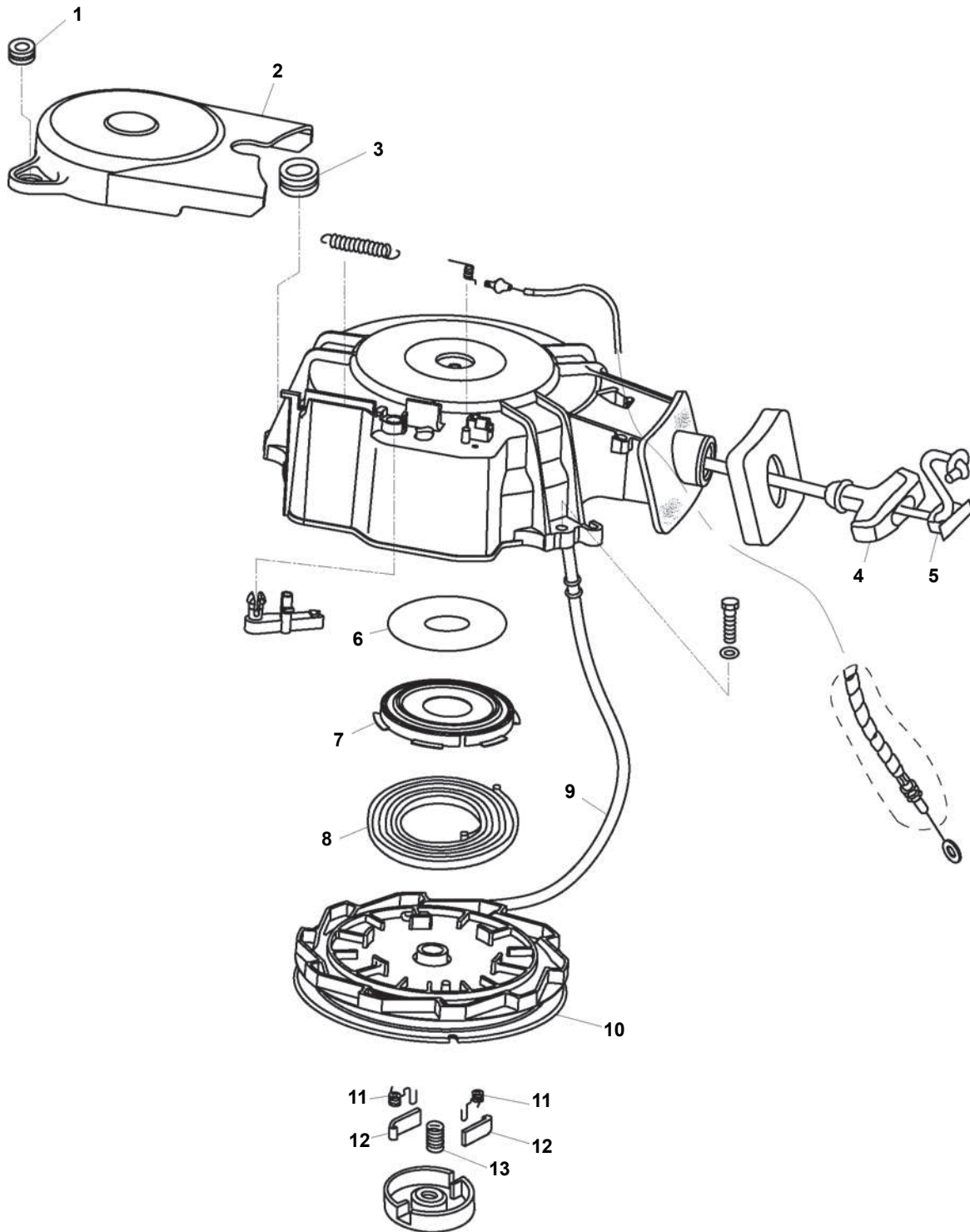
Nº	R.O. OEM	Ref.	Descripción	Description	Descrizione	Cantidad Qty Quantità
1	3V1-61324-0	PAGB/T889.1-M8	TUERCA	NUT M8	DADO	2
2	3V1-61333-1	PAF8-00000100	SILENBLOCK	ABSORBER (FRONT)	SILENBLOCK	1
3	910184-5620	PAGB/T5783-M6X20	TORNILLO	BOLT M6x20	VITE	4
4	910184-5620	PAGB/T97.1-6	ARANDELA	WASHER	RONDELLA	11
5	3V1-61301-1 940113-0800	PAF8-02000100	SILENBLOCK	ABSORBER ASSY	SILENBLOCK	2
6	3V1-61313-0	PAF8-01000003	TORNILLO	DICEPHALOUS BOLT M8x65	VITE	2
7	350-62121-1 369-62122-2	PAF8-01010200	EJE	THRUST ROD ASSY	ASSE	1
8	332S62102-1	PAF4-01010004	MANITA	CLAMP HANDLE, STERN	MANIGLIA	2
9	3C8-62104-1	PAF4-01001005	RIBETE	RIVET, CLAMP HANDLE	RIVETTO	2
10	398-62103-0	PAF4-01010002	TORNILLO	CLAMP SCREW	VITE	2
11	332-62101-0	PAF4-01010003	ARANDELA	CLAMP PAD	RONDELLA	2
12	350-62423-0	PAF8-01000001	ARANDELA	WASHER, ROTARY BRACKET	RONDELLA	2
13	350-62417-0	PAF8-01000002	CASQUILLO	BUSHING	BOCCOLA	2
14	345-62441-0	PAF8-01000100	SEGURO	LOCKING BLOCK ASSY	CHIUSURA SICUREZA	1
15	346-62421-1	PAF8-01010102	MUELLE	SPRING, LOCKING	MOLLA	1
16	910113-0830	PAGB/T5783-M8X30	TORNILLO	BOLT M8x30	VITE	1
17	344-67177-0	PAJB/T7940.1-M6	ENGRASADOR	OILER M6	INGRASSATORE	1
18	350-62415-0	PAJASO F404 35-022	RETÉN	O-RING Ø22.4xØ3.5	TENUTA ANELLO	1
19	3B2-66321-1	PAF8-01010108	EJE	SHAFT, ROTARY BRACKET	ASSE	2
20	945303-0500	PAGB/T896-5	CLIP	CIRCLIP5	CLIP	4
21	3V1-61302-0	PAF8-00000002	AMORTIGUADOR	ABSORBER	AMMORTIZZATORE	2
22	3V1-66313-0	PAF8-01010106	UÑA	OUTER FRAME, ROTARY BRACKET	CORNICE ESTERNA	1
23	3K9-05223-0	PAF8-01010112	ADAPTADOR	TIE-IN, CONNECTING ROD	ADATTATORE	1
24	3B2-66315-0	PAF8-01010109	MUELLE	SPRING, WREST	MOLLA	1
25	369-66112-1	PAF8-01010104	MUELLE	SPRING, SUPPORT	MOLLA	1
26	393-62437-0	PAF8-01010103	PASADOR	PIN	PIN	2
27	369-62439-1	PAF8-01010105	PLACA	PRESS PLATE	PIASTRA	1

ELECTRICIDAD / ELECTRICAL / PARTE ELETTRICA



Nº	R.O. OEM	Ref.	Descripción	Description	Descrizione	Cantidad Quantity Quantità
1	369-00132-0	PAF8-05000024	TUERCA	NUT, FLYWHEEL	DADO	1
2	940121-1200	PAT15-04000011	ARANDELA	WASHER, FLYWHEEL NUT	RONDELLA	1
3	3AA-06091-0	PAF8-05000600	EJE	FLYWHEEL ASSY	ASSE	1
4	3V1-06040-0	PAF8-05000500	EJE ALTA PRESIÓN	HIGH PRESSURE ASSY	ASSE ALTA PRESSIONE	1
5	3AA-06021-0	PAF8-05000300	BOBINA	COIL	BOBINE	1
6	3V1-06071-0	PAF8-05000200	BOBINA PULSACIÓN	COIL PULSER	BOBINE ACCENSIONE	1
7	3R0-66308-0	PAF8-05000021	ARANDELA	WASHER	RONDELLA	4
8	3B7-06305-0	PAF8-05000007	AMORTIGUADOR (A)	ABSORBER (A) CDI	CUSCINO (A)	2
9	3T5-06920-0	PAF8-05000011	AMORTIGUADOR (B)	ABSORBER (B) CDI	CUSCINO (B)	2
10	3A0-76079-0	PAF8-05000006	MANGUERA	TUBE	TUBO	2
11	3AA-06060-0	PAF8-05000400	CDI	CDI	CDI	1
12	3H6-07611-0	PAF15-07010100	SENSOR PRESIÓN ACEITE	OIL PRESSURE SENSOR	SENSORE PRESSIONE OLIO	1
13	3H6-07612-0	PAF15-07010101	AISLANTE	JACKET INSULATION	ISOLANTE	1

ARRANQUE / STARTER ASSY / AVVIAMENTO



Nº	R.O. OEM	Ref.	Descripción	Description	Descrizione	Cantidad Quanti Quantità
1	172-36008-0	PAF8-0500003	RETÉN	RUBBER GROMMET A	TENUTA	2
2	3V1-06308-0	PAF8-0500012	TAPA	COVER, STRAP	COPERCHIO	1
3	3V1-06302-0	PAF8-0500013	RETÉN	RUBBER GROMMET B	TENUTA	1
4	3AA-05019-0	PAF4-04130101	TIRADOR	HANDLE, STARTER	MANIGLIA	1
5	3R1-05131-0	PAF4-04130102	TAPA	COVER, HANDLE	COPERCHIO	1
6	3V1-05259-0	PAF8-05050002	ARANDELA	WASHER, THRUST	RONDELLA	1
7	3R1-05125-0	PAF8-05050003	MUELLE	SPRING CASE	MOLLA	1
8	3AA-05004-0	PAF8-05050004	MUELLE	VOLUTE SPRING	MOLLA	1
9	3AA-05013-0	PAF8-05050018	CUERDA	START LINE	CORDA DI AVVIAMENTO	1
10	3V1-05104-1	PAF8-05050005	VOLANTE	WHELL, START-UP	VOLANTE	1
11	3R1-05012-0	PAF8-05050007	MUELLE	SPRING, TENSIÓN	MOLLA	2
12	3R1-05003-1	PAF8-05050006	UÑA PLÁSTICA	PAWL, DRIVE	NOTTOLINO	2
13	3R1-05007-0	PAF8-05050009	MUELLE	SPRING PLATE	MOLLA	1

PISTONES, AROS, BULONES Y RODAMIENTOS

PISTONS, RINGS, PINS AND BEARINGS

PISTONI, FASCE, BULLONI E CUSCINETTI

Ref.	Medida Size Misura	Cyl.	Motores Engines Motori
WI3157P3	2.785" / 030	2	25 HP - M25C2 30 HP - M30A3
WI3155PS	2.755" / STD	2	40 HP - M40C
WI3155P3	2.785" / 030	2	40 HP - M40C
WI3156P3	2.707" / 030	3	60 HP - M40D 50 HP - M450D
WI3154PS	2.913" / STD	3	60 HP - M60B 70 HP - M70B
WI3153PS	3.385" / STD	3	90 HP - M90A
WI3153P3	3.415" / 030	3	90 HP - M90A
WI3152PS	3.464" / STD	4	115 HP - M115A 120 HP - M12A M120A 140 HP - M140A

WISECO



Ref.	R.O.		
REC779-9615T	369-00001-0	Pistón / Piston / Pistoni	STD
REC41-16056	369-00021-0	Bulón / Pin / Bullone	
REC629-813047	369-00040-0	Biela / Connecting rod / Biella	
REC8M0080357	351-00011-0	Aros / Rings / Fasce	STD
REC53-16057	350-00024-1	Clip	
REC31-16052	350-00042-0	Rodamineto / Bearing / Cuscinetto	

MOTORES / ENGINES / MOTORI

M4C / M5B / M5BS (1 Cyl)



Ref.	R.O.		
REC779-804886	3B2-00001-0	Pistón / Piston / Pistoni	STD
REC41-8036801	3B2-0021-0	Bulón / Pin / Bullone	
REC629-8036741	3B2-00040-0	Biela / Connecting rod / Biella	
REC39-803678A3	3B2-00011-0	Aros / Rings / Fasce	STD
REC53-16057	350-00024-1	Clip	
REC31-8036752	338-00042-0	Rodamineto / Bearing / Cuscinetto	

MOTORES / ENGINES / MOTORI

M6B / M8B / M9.8B (2 Cyl)



Ref.	R.O.		
REC779-803677	351-00001-0	Pistón / Piston / Pistoni	STD
REC41-825713002	332-00021-0	Bulón / Pin / Bullone	
REC629-803674	350-00040-0	Biela / Connecting rod / Biella	
REC8M0080357	351-00011-0	Aros / Rings / Fasce	STD
REC53-16057	350-00024-1	Clip	
REC31-16052	350-00042-0	Rodamineto / Bearing / Cuscinetto	

MOTORES / ENGINES / MOTORI

M9.9D2 / M15D2 (2 Cyl)



Ref.	R.O.		
REC779-803677T02	350-00001-1	Pistón / Piston / Pistoni	STD
REC41-803680002	350-00021-0	Bulón / Pin / Bullone	
REC629-803674	350-00040-0	Biela / Connecting rod / Biella	
REC39-803678A1	350-00011-0	Aros / Rings / Fasce	STD
REC53-16057	350-00024-1	Clip	
REC31-16052	350-00042-0	Rodamineto / Bearing / Cuscinetto	

MOTORES / ENGINES / MOTORI

M18E2 (2 Cyl)



Ref.	R.O.		
REC779-879194T01	346-00001-1	Pistón / Piston / Pistoni	STD
REC41-803680003	3C8-0021-0	Bulón / Pin / Bullone	
REC629-813047T01	336-00040-1	Biela / Connecting rod / Biella	
REC39-16054A5	346-00011-0	Aros / Rings / Fasce	STD
REC53-16057	350-00024-1	Clip	
REC345-00042-0	345-00042-0	Rodamineto / Bearing / Cuscinetto	

MOTORES / ENGINES / MOTORI

M25C3 / M30A4 (2 Cyl)



Ref.	R.O.		
REC779-9615 2	3C8-00001-3	Pistón / Piston / Pistoni	STD
REC41-803680003	3C8-0021-0	Bulón / Pin / Bullone	
REC8M0080349	356-00011-0 346-00011-0	Aros / Rings / Fasce	STD
REC53-16057	334-00024-1	Clip	
REC345-00042-0	345-00042-0	Rodamineto / Bearing / Cuscinetto	

MOTORES / ENGINES / MOTORI

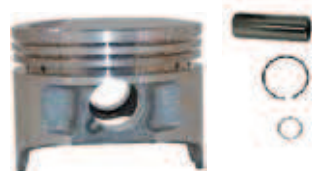
M40D2 / M50D2 (3 Cyl)



Ref.	R.O.		
PAF8-05020101	3V1-00001-0	Pistón / Piston / Pistoni	STD
PAF8-05020105	332-00024-0	Bulón / Pin / Bullone	
PAF8-05020200	3V1-00040-0	Biela / Connecting rod / Biella	
REC8M0080346	3V1-87123-0	Aros / Rings / Fasce	STD
PAF15-07020005	350-00024-1	Clip	

MOTORES / ENGINES / MOTORI

MFS8 / 9.8A-A2-A3 (2 Cyl)



RODAMIENTO CIGÜEÑAL CRANK BEARING CUSCINETTO ALBERO MOTORE

SUPERIOR / UPPER / SUPERIORE

Ref.	R.O.
REC30-898101936	9643-3-6004

MOTORES / ENGINES / MOTORI

M2.5A
M3.5A-B



INFERIOR / UNDER / INFERIORE

Ref.	R.O.
REC30-95307	9643-3-6202

MOTORES / ENGINES / MOTORI

M2.5A
M3.5A-B



JUNTA DE CULATA GASKET CYLINDER HEAD GUARNIZIONE TESTATA

JUNTA DE CULATA GASKET CYLINDER HEAD GUARNIZIONE TESTATA

Ref.	R.O.
REC309-01005-2	309-01005-2

MOTORES / ENGINES / MOTORI

M2.5 / M2.5A / M2.5A2
M3.5A / M3.5A2



Ref.	R.O.
REC3B2-01005-0	3B2-01005-0

MOTORES / ENGINES / MOTORI

M6B / M8B / M9.8B



Ref.	R.O.
REC351-01005-0	351-01005-0

MOTORES / ENGINES / MOTORI

M9.9D / M15D
M9.9D2 / M15D2



Ref.	R.O.
REC350-01005-0	350-01005-0

MOTORES / ENGINES / MOTORI

M18E2



Ref.	R.O.
REC346-01005-0	346-01005-0

MOTORES / ENGINES / MOTORI

M25C3
M30A4



Ref.	R.O.
REC3C8-01005-4	3C8-01005-4

MOTORES / ENGINES / MOTORI

M40D2
M50D2



Ref.	R.O.
REC3F3-01005-0	3F3-01005-0

MOTORES / ENGINES / MOTORI

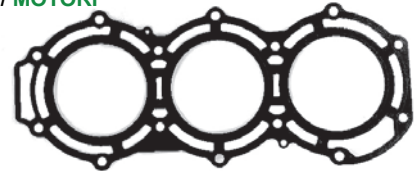
M60C
M70C



Ref.	R.O.
REC3T9-01005-0	3T9-01005-0

MOTORES / ENGINES / MOTORI

MD70 / MD90

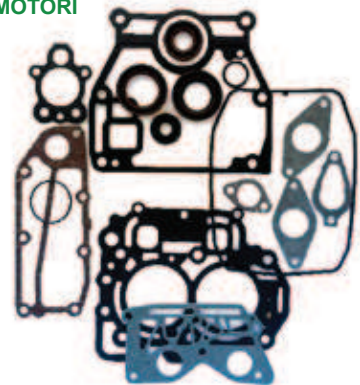


KIT JUNTAS GASKET KIT KIT GUARNIZIONE

Ref.	R.O.	Tiempos Stroke Tempi
REC3V1-87121-0	3V1-87121-0	4

MOTORES / ENGINES / MOTORI

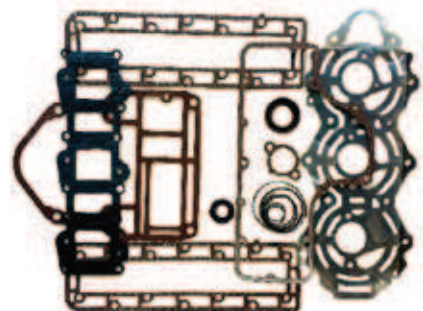
MFS8A-8A2
MFS9.8A / 9.8A2



Ref.	R.O.
REC3T5-87121-6	3T5-87121-6

MOTORES / ENGINES / MOTORI

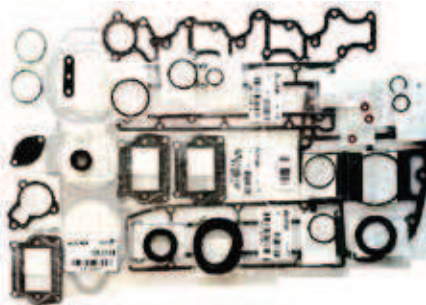
MD40B2
MD50B2



Ref.	R.O.
REC3F3-87121-1	3F3-87121-7

MOTORES / ENGINES / MOTORI

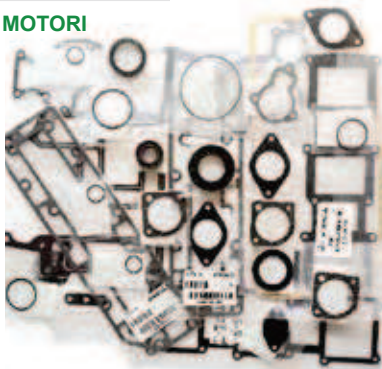
M60C
M70C



Ref.	R.O.
REC3B7-87121-1	3B7-87121-7

MOTORES / ENGINES / MOTORI

M80A
M90A

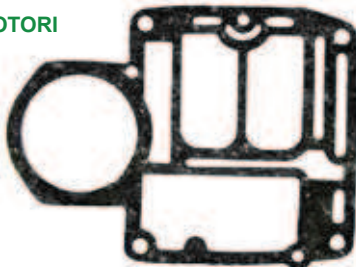


**JUNTAS BASE MOTOR
GASKET, ENGINE HOLDER
GUARNIZIONE, BASE MOTORE**

Ref.	R.O.
REC350-01303-0	350-01303-0

MOTORES / ENGINES / MOTORI

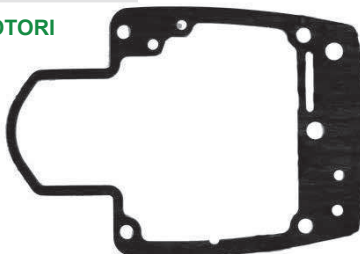
M9.9D2 / M15D2 / M18E2



Ref.	R.O.
REC350-61012-1	350-61012-1

MOTORES / ENGINES / MOTORI

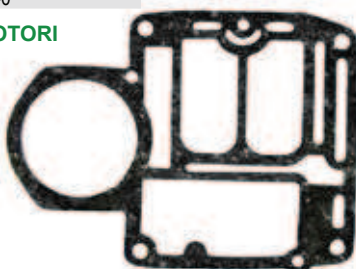
M9.9D2 / M15D2 / M18E2



Ref.	R.O.
REC346-01303-0	350-01303-0

MOTORES / ENGINES / MOTORI

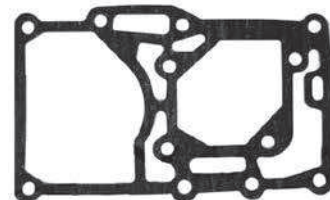
M25C3
M30A4



Ref.	R.O.
REC3B2-01303-0	3B2-01303-0

MOTORES / ENGINES / MOTORI

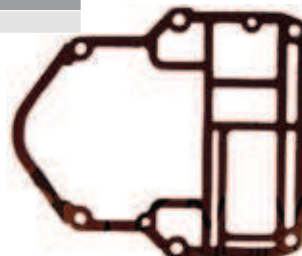
M6B / M8B / M9.8B



Ref.	R.O.
REC3C8-01303-4	3C8-01303-4

MOTORES / ENGINES / MOTORI

MD40B
MD50B



Ref.	R.O.
REC3F3-01303-1	3F3-01303-1

MOTORES / ENGINES / MOTORI

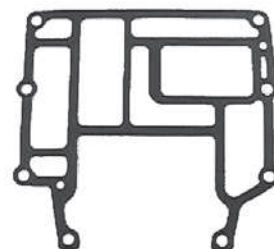
M60C / M70C



Ref.	R.O.
REC3B7-01303-0	3B7-01303-0

MOTORES / ENGINES / MOTORI

MD90A

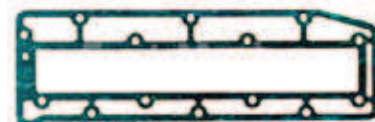


**JUNTAS TAPA REFIRGERACIÓN
GASKETS, EXHAUST INNER COVER
GUARNIZIONE COPERCHIO
REFRIGERAZIONE**

Ref.	R.O.
REC3F3-02305-1	3F3-02305-1

MOTORES / ENGINES / MOTORI

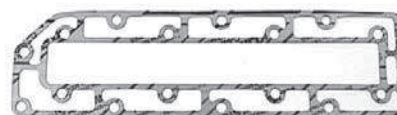
M60C / M70C



Ref.	R.O.
REC3B7-02305-1	3B7-02305-1

MOTORES / ENGINES / MOTORI

MD70B
MD90D

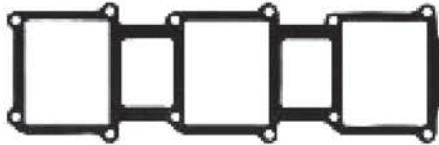


JUNTAS ADMISIÓN INTAKE GASKET GUARNIZIONE SISTEMA ASPIRAZIONE

Ref.	R.O.
REC3T9-02104-0	3T9-02104-0

MOTORES / ENGINES / MOTORI

MD70B
MD90B



Ref.	R.O.
REC3C8-02104-0	3C8-02104-0

MOTORES / ENGINES / MOTORI

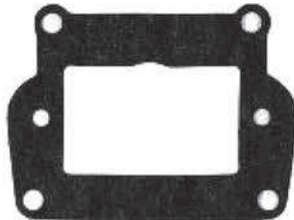
M40D2
M50D2



Ref.	R.O.
REC3F3-02104-0	3F3-02104-0

MOTORES / ENGINES / MOTORI

M60C
M70C

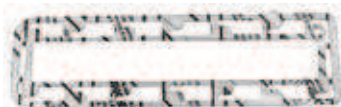


JUNTAS DE ESCAPE EXHAUST GASKET GUARNIZIONE SCARICO

Ref.	R.O.
REC3C8-02305-0	3C8-02305-0

MOTORES / ENGINES / MOTORI

M40D2 / B
M50D2 / B



JUNTAS CULATÍN GASKETS, HEAD COVER GUARNIZIONE TESTATA

Ref.	R.O.
REC3C8-01024-0	3C8-01024-0

MOTORES / ENGINES / MOTORI

M40D2
M50D2



Ref.	R.O.
REC3F3-01024-0	3F3-01024-0

MOTORES / ENGINES / MOTORI

M60C
M70C



Ref.	R.O.
REC3T9-01024-0	3T9-01024-0

MOTORES / ENGINES / MOTORI

MD70B
MD90B



RETENES ACEITE OILS SEALS PARAOLIO

Ref.	R.O.
REC26-8537072	346-01215-0 18 x 28 x 6 mm

MOTORES / ENGINES / MOTORI

M25C3
M30A4
MFS25A-B / MFS30A-B
MFS40A / MFS50A



Ref.	R.O.
REC26-161301	346-60111-0 18 x 28 x 8 mm

MOTORES / ENGINES / MOTORI

M25C3
M30A4
MFS30A - B / MFS25A - B



Ref.	R.O.
REC26-161622	346-65013-0 17 x 30 x 9 mm

MOTORES / ENGINES / MOTORI

M15D2
M18E2
M25C3
M30A4
M9.9D2
MFS20C
MFS18B2
MFS15C-B2
MFS30B-A
MFS25A-B
MFS20C
MFS9.9B2-C



Ref.	R.O.
REC26-803667	350-00121-0 25 x 45 x 8 mm

MOTORES / ENGINES / MOTORI

M9.9D2
M15D2
M18E2



Ref.	R.O.
REC8M0065585	350-01215-5 25 x 69 x 9,5 mm

MOTORES / ENGINES / MOTORI

M9.9D2
M15D2
M18E2



Ref.	R.O.
REC26-16703	369-01215-0 10 x 62 x 7 mm

MOTORES / ENGINES / MOTORI

M4C / M5B / M5BS
MFS4A-B / 5A-B-C / 6A-B-C



Ref.	R.O.
REC26-16162	369-60223-0 10 x 24 x 8 mm

MOTORES / ENGINES / MOTORI

M4C / M5B / M5BS
MFS4A-B / 5A-B-C / 6A-B-C

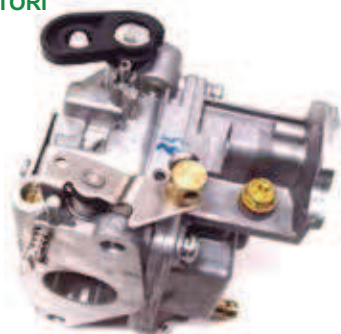


CARBURADOR CARBURETOR CARBURATORI

Ref.	R.O.
PAF8-05040000	3FS-03100-0, 3V2-03100-2

MOTORES / ENGINES / MOTORI

MFS8 / MFS9.8HP
4 Tiempos / Stroke / Tempi



KITS CARBURADOR CARBURETOR KIT KIT CARBURATORI

Ref.	R.O.
REC84419M	345-87122-0

MOTORES / ENGINES / MOTORI

M35C
M40C
Para 2 carburadores
For 2 carburetors
Per 2 carburatori



Ref.	R.O.
REC6H3-W0093-01	346-87122-0

MOTORES / ENGINES / MOTORI

45A2 / 50C / 60C / 70A2 / M25C3 / M30A4



Ref.	R.O.
REC6G1-W0093-00	369-87122-1

MOTORES / ENGINES / MOTORI

5B / 8B / 9.8



BOYAS FLOATS GALLEGGIANTI

Ref.	R.O.
REC162532	3C8-03125-0

MOTORES / ENGINES / MOTORI

M9.9D2 / M15D2 / M18W2 / M40D2 / M50D2
MF8 / 9.8A-A2-A3
MFS15C / MFS20C



Ref.	R.O.
REC16S53	369-03231-0

MOTORES / ENGINES / MOTORI

M4B / M5B / M5BS
M6B / M8B / M9.8B



CABLE ACELERADOR THROTTLE CABLE CAVO ACCELERATORE

Ref.	R.O.
REC804898	3B2-63600-1

MOTORES / ENGINES / MOTORI

M6B / M8B / M9.8B



MEMBRANAS BOMBA COMBUSTIBLE FUEL PUMP DIAPHRAGMS MEMBRANA POMPA BENZINA

Ref.	R.O.
REC8537312	350-04005-0

MOTORES / ENGINES / MOTORI

M9.9D2 / M15D2 / M18E2 / M40D2 / M50D2



DIAFRAGMA A / DIAPHRAGM A / MEMBRANA A

Ref.	R.O.
REC16275	369-03303-0

MOTORES / ENGINES / MOTORI

M4C / M5B / M5BS / M6B / M8B / M9.8B



DIAFRAGMA B / DIAPHRAGM B / MEMBRANA B

Ref.	R.O.
REC16325	369-03306-0

MOTORES / ENGINES / MOTORI

M4C / M5B / M5BS / M6B / M8B / M9.8B



Ref.	R.O.
REC27-855569	3C8-04018-0

MOTORES / ENGINES / MOTORI

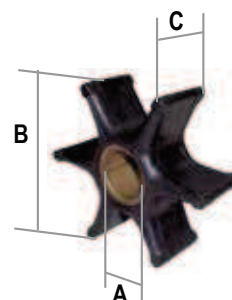
M9.9D2 / M15D2 / M18E2 / M40D2 / M50D2



GUÍA IMPULSORES / IMPELLER GUIDE / GUIDA GIRANTE

MEDIDAS mm (A-B-C)
Measurements mm (A-B-C)
Misure mm (A-B-C)

Modelo Model Modello	Tiempos Strokes Tempi	R.O. OEM	Ref. CEF	Ref. RECMAR	Medidas / Measurements / Misure A B C
2HP	2	369-65021-1	CEF500377		10,25 33,60 14,30
2.5HP	2	369-65021-1	CEF500377		10,25 33,60 14,30
2.5A/3.5A/3.5B	2	309-65021-1	CEF500396		12,00 41,00 14,00
3.5HP	2	369-65021-1	CEF500377		10,25 33,60 14,30
4/5HP	2	369-65021-1	CEF500377		10,25 33,60 14,30
MFS4/5/6HP	4	369-65021-1	CEF500377		10,25 33,60 14,30
6/8/9.8HP	2	3B2-65021-1	CEF500344	REC3B2-65021-1	12,10 40,00 18,00
MFS8/9.8 HP	4	3B2-65021-1	CEF500344	REC3B2-65021-1	12,10 40,00 18,00
9.9/15/18HP	2	334-65021-0	CEF500383		13,96 40,70 23,35
MFS9.915/18HP	4	334-65021-0	CEF500383		13,96 40,70 23,35
20HP	4	334-65021-0	CEF500383		13,96 40,70 23,35
25/30HP	2	345-65021-0	CEF500382	REC345-65021-0	17,12 44,10 20,25
MFS25/30HP	4	345-65021-0	CEF500382	REC345-65021-0	17,12 44,10 20,25
35HP	2	345-65021-0	CEF500382	REC345-65021-0	17,12 44,10 20,25
40/50HP	2	345-65021-1	CEF500379		17,20 50,40 20,15
60/70/90HP	2	3B7-65021-2	CEF500388	REC3B7-65021-2	20,15 67,40 35,10
115/120/140HP	2	3C7-65021-1	CEF500388		20,15 67,40- 35,10



TOHATSU

JUNTAS BOMBA COMBUSTIBLE FUEL PUMP GASKETS GUARNIZIONE POMPA BENZINA

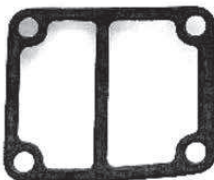
Ref.	R.O.
REC27-8555691	3C8-04028-0

MOTORES / ENGINES / MOTORI
M9.9D2 / M15D2 / M18E2 / M40D2 / M50D2



Ref.	R.O.
REC27-16274	369-03302-0

MOTORES / ENGINES / MOTORI
M4C / M5B / M5BS / M6B / M8B / M9.8B



Ref.	R.O.
REC27-16326	369-03307-0

MOTORES / ENGINES / MOTORI
M4C / M5B / M5BS / M6B / M8B / M9.8B



TERMOSTATO THERMOSTAT TERMOSTATO

Ref.	R.O.
REC885676002	3R3-01030-0 60°

MOTORES / ENGINES / MOTORI
MFS8 - MFS30



JUNTAS TERMOSTATO THERMOSTAT GASKETS GUARNIZIONE TERMOSTATO

Ref.	R.O.
REC3T9-01032-0	3T9-01032-0

MOTORES / ENGINES / MOTORI
MD75C2
MD70B / C2
MD90D / C2



COLAS LOWER UNIT PIEDI

JUNTA BOMBA AGUA WATER PUMP GASKET GUARNIZIONE POMPE ACQUA

Ref.	R.O.
REC3F0-65029-0	3F0-65029-6

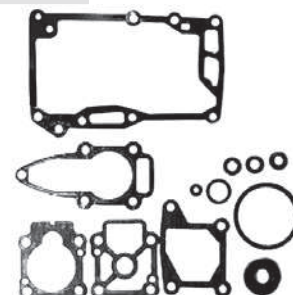
MOTORES / ENGINES / MOTORI
M3.2B2
MFS2.5B
MFS3.5B
MFS2A



KITS JUNTAS COLA LOWER UNIT SEAL GASKET KIT GUARNIZIONE PIEDE

Ref.	R.O.
REC3B2-87321-0	3B2-87321-0 4T

MOTORES / ENGINES / MOTORI
MFS8A - 8A2
MFS9.8A - 9.8A2



PLACA BASE BOMBA AGUA PLATE WATER PUMP PIASTRA POMPA ACQUA

Ref.	R.O.
PAF8-04000007	350-65025-0

MOTORES / ENGINES / MOTORI
MD9.9D2 / 15D2 / 18E2
MFS9.9B2-C / 15C / 18B2 / 20C



RECAMBIOS
MARINOS S.L.

Ref.	R.O.
REC16159	369-65025-0

MOTORES / ENGINES / MOTORI

MFS4A2-B-C
MFS5A2-B-C
MFS4A2-B-C



**CASQUILLO INOX.
CARTRIDGE, INSERT
BOCCOLA INOX**

Ref.	R.O.
REC803751	350-65011-1

MOTORES / ENGINES / MOTORI

M9.9D2 / M15D2 / M18E2
MFS9.9C - B2 / 15C-B2 / 20C / 18B2



Ref.	R.O.
REC16157	369-65011-0

MOTORES / ENGINES / MOTORI

M4B / M5B / M5B5
MFS4 / 5 / 6 -A2



Ref.	R.O.
PAF8-04000010	3B2-65011-0

MOTORES / ENGINES / MOTORI

M6 / M8 / M9.8B
MFS8 / 9.8A - A2 -A3



**GUÍA PIEZAS COLA
STERN DRIVE COMPONENTS APPLICATIONS
GUIDA RICAMBI PIEDI**

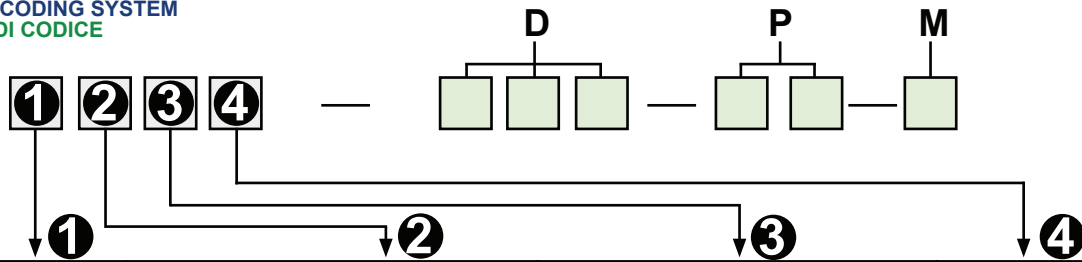
MODELO MODEL MODELLO	PIÑÓN ATAQUE GEAR PIGNONE INNESTO	PIÑÓN AVANTE GEAR FORWARD PIGNONE MARCIA AVANTI	PIÑÓN M. ATRÁS GEAR REVERSE PIGNONE MAR. INDIETRO	CLUTCH	"S" EJE TRANSMISIÓN TRANS. SHAFT ASSE TRANS.	"L" EJE TRANSMISIÓN TRANS. SHAFT ASSE TRANS.	EJE HÉLICE PROPELLER SHAFT ASSE ELICA
M2.5A-B-A2	REC43-16138	REC43-812944					
M3.5A-B-A2-B2	REC43-16138	REC43-812944					
M4C/M5B-BS	REC43-16138	REC43-812944	REC43-8129451		REC45-161351	REC8M0076368	REC44-195133
MFS4/5/6A2-B-C	REC43-16138	REC43-812944	REC43-8129451		REC45-161351	REC8M0076368	REC44-195133
MFS8/9.8B	PAF8-04000003	PAF8-04010000	PAF8-04000014				PAF8-04000301
MFS8A2-3/MFS9.8A2-3	PAF8-04000003	PAF8-04010000	PAF8-04000014	PAF8-04000303	PAF8-04020001S	PAF8-04020001L	PAF8-04000301
M9.9/15D2/M18E2	REC43-803740	REC43-803739	REC43-803741	REC43-803741	REC45-803738	REC45-8037381	REC879147T96
MFS9.9B2/15B2/18B2	REC43-803740T02	REC43-803739T03	REC43-803741T03	REC43-803741			REC879147T96

**GUÍA MANTENIMIENTO
MAINTENANCE GUIDE
GUIDA DI MANUTENZIONE**

Modelo Model Modello	DESCRIPCIÓN	DESCRIPTION	DESCRIZIONE	Unidades Units M*****	Ref.
MFS4 MFS5 MFS6	BUJÍA	SPARK PLUG	CANDELE	1	NGKDCPR6E
	ÁNODO	ANODE DRIVE	ANODO	1	TEN01259
	IMPULSOR	IMPELLER	GIRANTE	1	CEF500377
	FILTRO COMBUSTIBLE	FUEL FILTER	FILTRO BENZINA	1	PAF4-05000300
MFS8 MFS9.8	BUJÍA	SPARK PLUG	CANDELE	2	NGKDCPR6E
	ÁNODO BLOQUE	ANODE ENGINE	ANODO MOTORE	1	TEN01258
	IMPULSOR	IMPELLER	GIRANTE	1	CEF500344
	FILTRO COMBUSTIBLE	FUEL FILTER	FILTRO BENZINA	1	PAF4-05000300
	TERMOSTATO	THERMOSTAT	TERMOSTATO	1	REC855676002
	CORREA DISTRIBUCIÓN	TIMING BELT	CINGHIE DISTRIBUZIONE	1	PAF8-05000004
	ANODO COLA	ANODE DRIVE	ANODO PIEDE	1	TEN01260
MFS9.9 MFS15 MFS18	BUJÍA	SPARK PLUG	CANDELE	2	NGKDCPR6E
	ÁNODO BLOQUE	ANODE ENGINE	ANODO MOTORE	1	TEN01258
	IMPULSOR	IMPELLER	GIRANTE	1	CEF500383
	FILTRO COMBUSTIBLE	FUEL FILTER	FILTRO BENZINA	1	PAF4-05000300
	FILTRO ACEITE	OIL FILTER	FILTRO OLIO	1	REC5GH-13440-00
	TERMOSTATO	THERMOSTAT	TERMOSTATO	1	REC855676002
	ANODO TRANSOM	TRANSOM ANODE	ANODO TRANSOM	1	TEN01250
MFS25 MFS30	BUJÍA	SPARK PLUG	CANDELE	2	NGKDCPR6E
	ÁNODO BLOQUE	ANODE ENGINE	ANODO MOTORE	1	TEN01258
	IMPULSOR	IMPELLER	GIRANTE	1	CEF500382
	FILTRO COMBUSTIBLE	FUEL FILTER	FILTRO BENZINA	1	PAF4-05000300
	TERMOSTATO	THERMOSTAT	TERMOSTATO	1	REC855676002
	FILTRO ACEITE	OIL FILTER	FILTRO OLIO	1	REC5GH-13440-00
	ANODO TRANSOM	TRANSOM ANODE	ANODO TRANSOM	1	TEN01256
ANODO COLA	ANODE DRIVE	ANODO PIEDE	1	TEN01253	

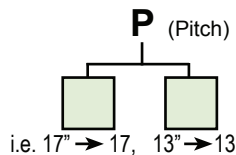
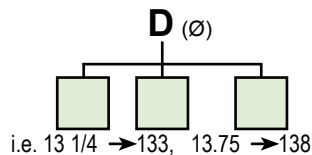
HÉLICES ALUMINO E INOXIDABLES DE 3 Y 4 PALAS 3 & 4 BLADE ALUMINUM & STAINLESS STEEL PROPELLERS ELICHE ALLUMINIO E INOX DA 3 E 4 PALE

SISTEMA CODIGO REFERENCIAS
PART NO. CODING SYSTEM
SISTEMA DI CODICE



<ol style="list-style-type: none"> 1. Mercury, Mariner 2. Johnson, Evinrude 3. Yamaha 4. Suzuki 5. Tohatsu 6. 7. 8. Volvo Penta 9. Rubex System 	<ol style="list-style-type: none"> 1. A Grupo /Group / Gruppo 2. B Grupo /Group / Gruppo 3. C Grupo /Group / Gruppo 4. D Grupo /Group / Gruppo 5. E Grupo /Group / Gruppo 6. F Grupo /Group / Gruppo 7. VP (Cubo std./Std. Hub / mozzo std.) 8. VP (Cubo largo /Long Hub / mozzo lungo) 	<ol style="list-style-type: none"> 1. Aluminio /Aluminum / Alluminio 2. Saturn Acero inox. /S.S. / Acciaio inox. 3. New Saturn Acero inox. /S.S. / Acciaio inox. 4. Titan Acero inox. /S.S. / Acciaio inox. 5. HR Titan Acero inox. /S.S. / Acciaio inox. 	<ol style="list-style-type: none"> 1. 3R Rubber Hub 2. 3L Rubber Hub 3. 4R Rubber Hub 4. 4L Rubber Hub
--	---	--	--

Ejemplo / Note / Esempio



AMITA 3

- Hélices de aluminio de 3 palas con núcleo de goma de gran resistencia.
- 3 blade aluminum propeller with heavy duty rubber hub.
- Eliche di alluminio a 3 pale con mozzi in gomma ad alta resistenza.



AMITA 4

- Hélices de aluminio de 4 palas con núcleo de goma de gran resistencia.
- Van muy suaves a poca velocidad y hace el barco muy manejable con la mar picada.
- 4 Blade aluminum propeller with heavy duty rubber hub.
- Smoother low speed makes the offshore boating activity much easier.
- Eliche di alluminio a 4 pale con mozzo in gomma ad alta resistenza.
- Molto morbido a bassa velocità e rende la barca molto maneggevole con mare cattivo.



NEW SATURN PROP

- Hélices de acero inoxidable de 3 palas.
- Ofrece buena aceleración y rendimiento.
- Tamaño más pequeño que ofrece un diámetro extragrande.
- Three blade stainless steel propeller.
- Offers good acceleration & all-round performance.
- Smaller pitch sizes offered in extra large diameter with increased blade area.
- Eliche di acciaio inox a 3 pale.
- Buona accelerazione.
- Piccole dimensioni che offre un più grande diametro.



GUÍA DE HÉLICES ALUMINO E INOXIDABLES DE 3 Y 4 PALAS 3 & 4 BLADE ALUMINUM & STAINLESS STEEL PROPELLERS APPLICATION GUIDA ELICHE ALLUMINIO E INOX DA 3 E 4 PALE

HP	R.O. OEM	B	D	P	R	TIPO TYPE	ALUMINIO ALUMINIUM ALLUMINIO		INOX STAINLESS STEEL
							AMITA 3	AMITA 4	NEW SATURN
5 (2T) 4, 5, 6 (4T)		3 3	7,8 7,8	7 8	R R	Alum Alum	SOL5011-078-07 SOL5011-078-08		
8, 9'8 (2T) 8, 9'8 (4T)	3B2-64513-0 3B2-64515-0	3 3	8,5 8,5	6,5 7,5	R R	Alum Alum	SOL5011-085-07 SOL5011-085-08		
12 Estrias 12 tooth spline 12 denti	3B2-64517-0	3	8,5	8,5	R	Alum	SOL5011-085-09		
9'9, 12, 15, 18 (2T) 9'9, 15, 18, 20 (4T)	362-64105-0 362-64103-0 362-64101-0	3 3 3	9,2 9,2 9,2	6,9 7,8 8,8	R R R	Alum Alum Alum	SOL5111-093-07 SOL5111-093-08 SOL5111-093-09		
14 Estrias 14 tooth spline 14 denti	- 362-64108-0	3 3	9,2 9,2	9,1 9,8	R R	Alum Alum	SOL5111-093-09 SOL5111-093-10 SOL5111-093-11		
25, 30 (2T) 25, 30 (4T)	346-64106-5 346-64101-5	3 3	10,2 9,8	8,3 9,3	R R	Alum Alum	SOL5211-099-09 SOL5211-099-10		
10 Estrias 10 tooth spline 10 denti	346-64102-5 346-64103-5 346-64104-5	3 3 3	9,8 9,8 9,8	10,2 11,3 13,1	R R R	Alum Alum Alum	SOL5211-099-11 SOL5211-099-13	SOL5213-102-11 SOL5213-100-13	
35, 40, 50, 55 (2T)	361-64113-0 361-64114-0 348-64102-0 348-64103-0 3E3-64528-0 3E3-64536-0	3 3 3 3 3 3	12,2 12,2 12,1 11,6 11,4 11,1	7 8 9 11 12 13	R R R R R R	Alum Alum Alum Alum Alum Alum	SOL5311-122-07 SOL5311-122-08 SOL5311-121-09 SOL5311-116-11 SOL5311-114-12 SOL5311-111-13 SOL5311-111-14	SOL5313-118-09 SOL5313-111-11 SOL5313-108-12 SOL5313-105-13 SOL5313-105-14	
13 Estrias 13 tooth spline 13 denti		3 3 3 3	11 11 11 11	14 15 16 17	R R R R	Alum Alum Alum Alum	SOL5311-110-15 SOL5311-110-16 SOL5311-110-17		
60, 70, 90, 115, 120, 140 (2T)	3B7-64523-1 3B7-64527-1 3C7-64536-0	3 3 3	14 13,75 13,5	11 13 15	R R R	Alum Alum Alum	SOL3411-140-11 SOL3411-138-13 SOL3411-135-15	SOL3413-133-13 SOL3413-130-15 SOL3413-128-17	SOL3431-135-15 SOL3431-133-17
15 Estrias 15 tooth spline 15 denti	3C7-64541-0 3C7-64554-0	3 3	13,25 13	17 19	R R	Alum Alum	SOL3411-133-17 SOL3411-130-19 SOL3411-130-21	SOL3413-125-19 SOL3413-125-19 SOL3413-125-21	SOL3431-130-19 SOL3431-130-21

B= PALAS / Blades / Pale

D= DIÁMETRO / Diametre / Diametro

R=ROTACIÓN / Rotation / Rotazione

(R) Derecha / Right / DX

(L) Izquierda / Left / SX

GUÍA DE NÚCLEOS HUB KIT APPLICATION CHAST GUIDA MOZZI INTERCAMBIABILI

SOLAS Altas prestaciones / núcleo de goma
Intercambiable con sistemas flo-torq & Vortex System.
Disponibile en acero inox y aluminio.

SOLAS High performance / Ruber Hub
Interchangeable with flo-torq & Vortex System.
Available in stainless Steel & Aluminium Propeller.

SOLAS Alte prestazioni / mozzo intercambiabile di gomma
con sistema flo-torq & Vortex System.
Disponibile in acciaio inox e alluminio.



RUBEX

MODELO MODEL MODELLO	REF. KIT	MODELO HÉLICE PROPELLER TYPE MODELLO ELICA
35HP (35B only) Thru 1984; 40HP (1984+), 50HP (All except 50C) (1992+) 13 Estrias / tooth spline / denti	RBX-116	C
50HP (50C only) (1987-91); 55HP (1981-88); 60A (1986+) 70A/70B (1981+) 13 Estrias / tooth spline / denti	RBX-112	C
90-140HP, (1987+) 13 Estrias / tooth spline / denti	RBX-109	D

GUÍA HÉLICES ALUMINIO PROPELLERS ALUMINUM CHART GUIDA ELICHE ALLUMINIO

Modelo / Model / Modello C 30-75 H.P. 3 PALAS / 3 BLADE / 3 PALE				
B	D	P	R	Ref.
3	11,4	12	R	SOL9311-114-12
3	11.1	13	R	SOL9311-111-13

Modelo / Model / Modello D 40-14 H.P. 3 PALAS / 3 BLADE / 3 PALE				
B	D	P	R	Ref.
3	14	9	R	SOL9411-140-09
3	14	11	R	SOL9411-140-11
3	13.75	13	R	SOL9411-138-12
3	13.5	15	R	SOL9411-135-15
3	13.25	17	R	SOL9411-133-17
3	13.2	19	R	SOL9511-132-19
3	13.2	21	R	SOL9511-132-21

Modelo / Model / Modello E 135-350 H.P. 3 PALAS / 3 BLADE / 3 PALE				
B	D	P	R	Ref.
3	15.5	11	R	SOL9511-155-11
3	16	13	R	SOL9511-160-13
3	15.3	13	R	SOL9511-153-13
3	15	15	R	SOL9511-150-15
3	15	15	L	SOL9512-150-15
3	14.8	17	R	SOL9511-148-17
3	14.8	17	L	SOL9512-148-17
3	14.5	19	R	SOL9511-145-19
3	14.5	19	L	SOL9512-145-19
3	14.3	21	R	SOL9511-143-21
3	14.3	21	L	SOL9512-143-21

RUBEX



Hélice de aluminio con núcleo intercambiable (no incluido).
Aluminium interchangeable hub propellers (not included).
Eliche in alluminio con mozzo intercambiable (non incluso).

GUÍA HÉLICES INOX. STAINLESS STEEL PROPELLERS APLICATION CHART GUIDA ELICHE INOX

Modelo / Model / Modello D 40-14 H.P. 3 PALAS / 3 BLADE / 3 PALE				
B	D	P	R	Ref.
3	13 3/4	13	R	SOL9431-138-13
3	13 3/4	13	L	SOL9432-138-13
3	13 1/2	15	R	SOL9431-135-15
3	13 1/2	15	L	SOL9432-135-15
3	13 1/4	17	R	SOL9431-133-17
3	13 1/4	17	L	SOL9432-133-17
3	13	19	R	SOL9431-130-19
3	13	19	L	SOL9432-130-19
3	13	21	R	SOL9431-130-21

Modelo / Model / Modello E 90-140 H.P. 3 PALAS / 3 BLADE / 3 PALE				
B	D	P	R	Ref.
3	14 1/2	15	R	SOL9531-145-15
3	14 1/2	15	L	SOL9532-145-15
3	14 1/4	17	R	SOL9531-143-17
3	14 1/4	17	L	SOL9532-143-17
3	14	19	R	SOL9531-140-19
3	14	19	L	SOL9532-140-19
3	14	21	R	SOL9531-140-21
3	14	21	L	SOL9532-140-21
3	14	23	R	SOL9531-140-23
3	14	23	L	SOL9532-140-23

Modelo / Model / Modello E 135-350 H.P. 3 PALAS / 3 BLADE / 3 PALE				
B	D	P	R	Ref.
3	15 3/4	15	R	SOL9571-158-15
3	15 3/4	15	L	SOL9572-158-15
3	15 1/2	17	R	SOL9571-155-17
3	15 1/2	17	L	SOL9572-155-17
3	15 1/4	19	R	SOL9571-153-19
3	15 1/4	19	L	SOL9572-153-19
3	15	21	R	SOL9571-150-21
3	15	21	L	SOL9572-150-21
3	14 3/4	23	R	SOL9571-148-23
3	14 3/4	23	L	SOL9572-148-23

RUBEX



Hélice de acero inox. con núcleo intercambiable (no incluido).
Stainless steel interchangeable hub propellers (not included).
Eliche di acciaio inox con mozzo intercambiable (non incluso).